



US0D1018289S

(12) **United States Design Patent**
Perez

(10) **Patent No.:** **US D1,018,289 S**
(45) **Date of Patent:** **** Mar. 19, 2024**

(54) **BOTTLE TOP IDENTIFIER**

FOREIGN PATENT DOCUMENTS

(71) Applicant: **Reyna Dayana Perez**, Paramount, CA (US)

CN 202321010 U 7/2012

(72) Inventor: **Reyna Dayana Perez**, Paramount, CA (US)

OTHER PUBLICATIONS

(**) Term: **15 Years**

Webstaurant Store. Franmara Super Flex Seal Black Wine Stopper 8164-01. No date specified. <https://bit.ly/3WE72eI> (Year: 0).*
Executive Gift Shoppe. Oval Top Personalized Wine Stopper. No date specified. <https://www.executivegiftshoppe.com/wm-sd121.html> (Year: 0).*

(21) Appl. No.: **29/787,488**

EBay. Vacuum Lid Thermal Cup Cap Bottle Cover Sealing Ring Stopper for Bullet Flask. Dec. 15, 2022. <https://ebay.to/3POQ5M4> (Year: 2022).*

(22) Filed: **Jun. 7, 2021**

Vitrix Kitchenware Silicone Wine Bottle Caps, <https://www.amazon.com/Vitrix-Kitchenware-Caps-Set-Unbreakable-Covers-Silicone/dp/B07CMXYM3>.

(51) **LOC (14) Cl.** **09-07**

(52) **U.S. Cl.**
USPC **D9/439**

* cited by examiner

(58) **Field of Classification Search**
USPC D7/392.1, 396.2; D9/434-436, 444, 454, D9/499, 439
CPC B65D 41/04; B65D 51/245; B65D 51/18; B65D 43/00; B65D 43/02; B65D 47/08; A47G 19/2272; A47G 19/22
See application file for complete search history.

Primary Examiner — Darcey E Gottschalk

(57) **CLAIM**

The ornamental design for a bottle top identifier, as shown and described.

DESCRIPTION

(56) **References Cited**

U.S. PATENT DOCUMENTS

1,866,313	A *	7/1932	Lohman	B65D 39/16
					215/364
D553,498	S *	10/2007	Cooney	D9/454
D605,509	S *	12/2009	Leonardis	D9/454
D617,427	S *	6/2010	McNamara	D23/261
D618,500	S *	6/2010	Hardaway	D7/505
D708,945	S *	7/2014	Jetmar	D9/439
D717,648	S *	11/2014	Firestone	D9/439
D753,489	S *	4/2016	Shaw	D9/454
D754,542	S *	4/2016	Shaw	D9/454
D994,488	S *	8/2023	Zheng	D9/439
2012/0138563	A1	6/2012	Brumfield		
2014/0374301	A1	12/2014	West		
2022/0024644	A1*	1/2022	Perez	B65D 51/18

FIG. 1 is a top-front-left perspective view of a bottle top identifier showing my new design;
FIG. 2 is a bottom-rear-right perspective view thereof;
FIG. 3 is a front elevational view thereof;
FIG. 4 is a rear elevational view thereof;
FIG. 5 is a top plan view thereof;
FIG. 6 is a bottom plan view thereof;
FIG. 7 is a right elevational view thereof;
FIG. 8 is a left elevational view thereof; and,
FIG. 9 is a cross sectional view taken in the direction of line 9-9 in FIG. 4.

The broken lines showing of indicia in FIGS. 1 and 5 are included for the purpose of illustrating environmental structure and form no part of the claimed design.

1 Claim, 9 Drawing Sheets

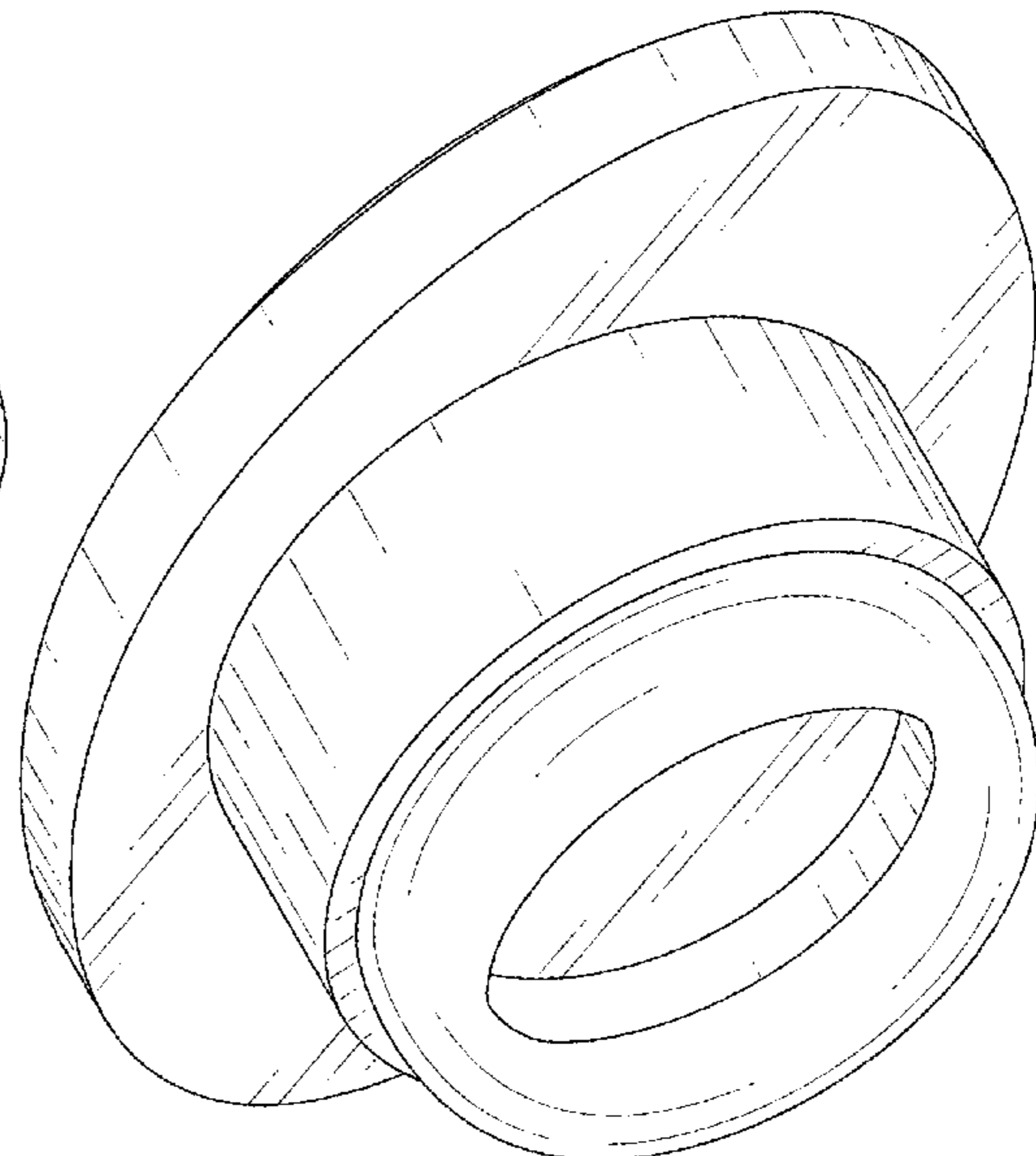
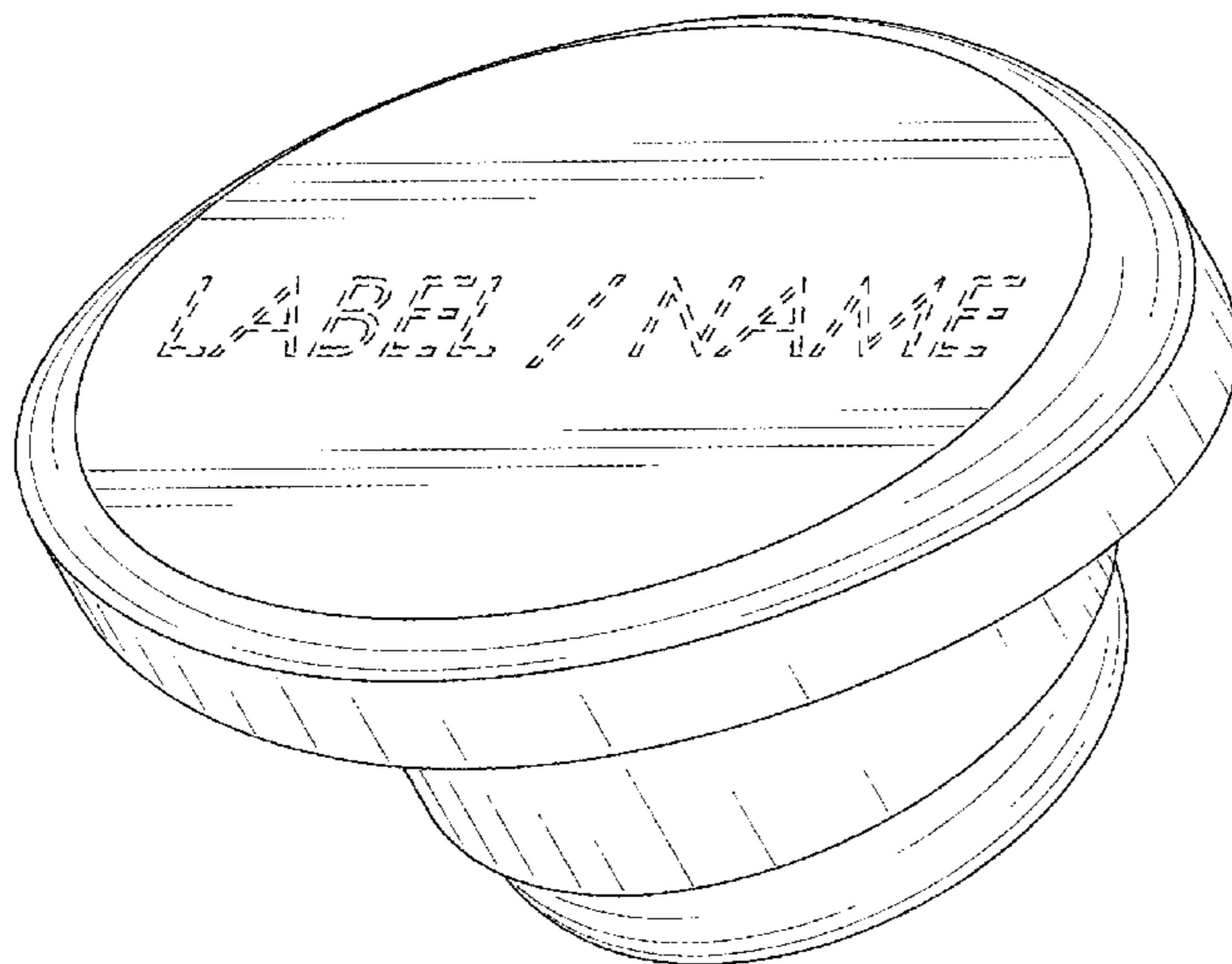




FIG. 1

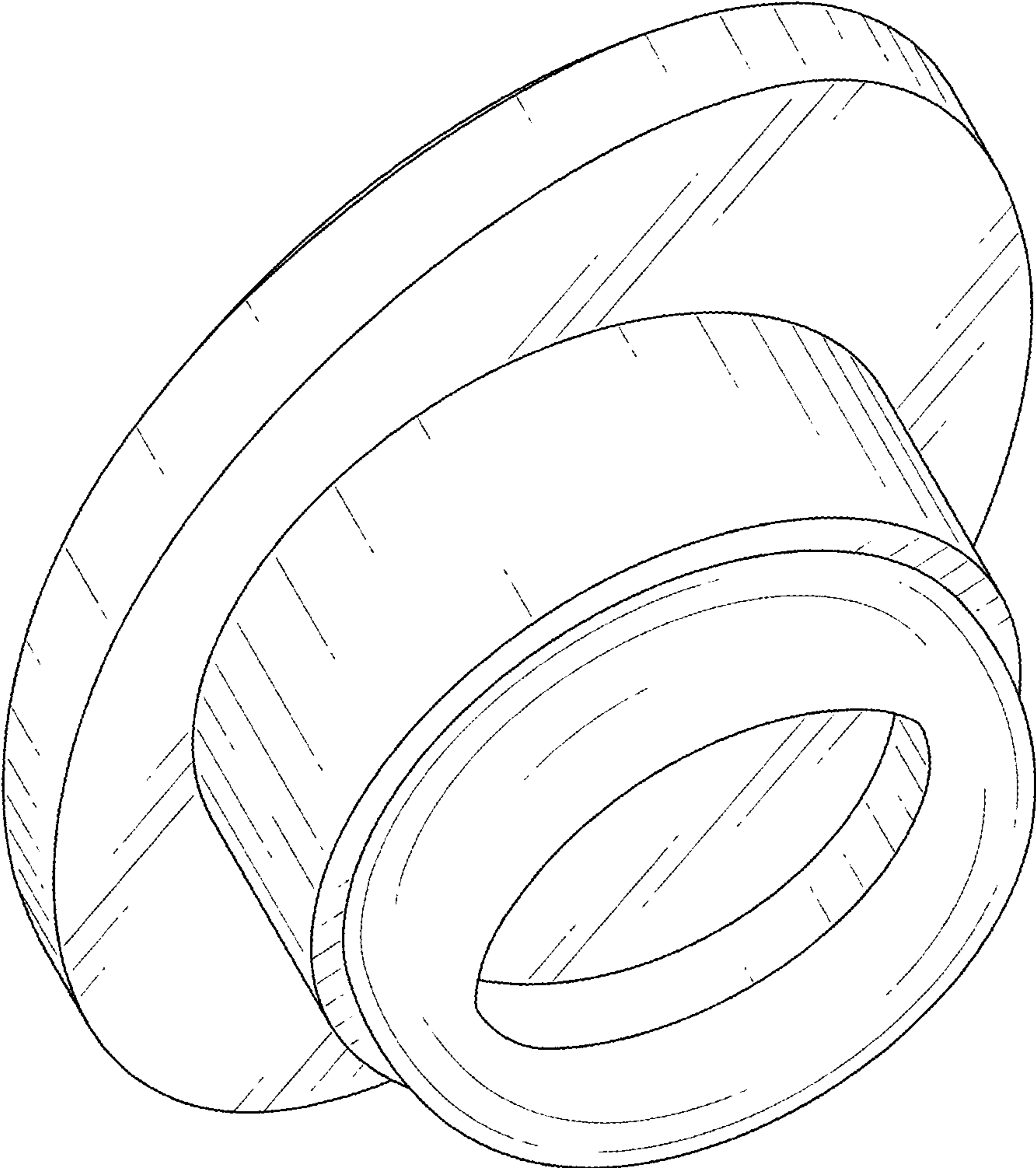


FIG. 2

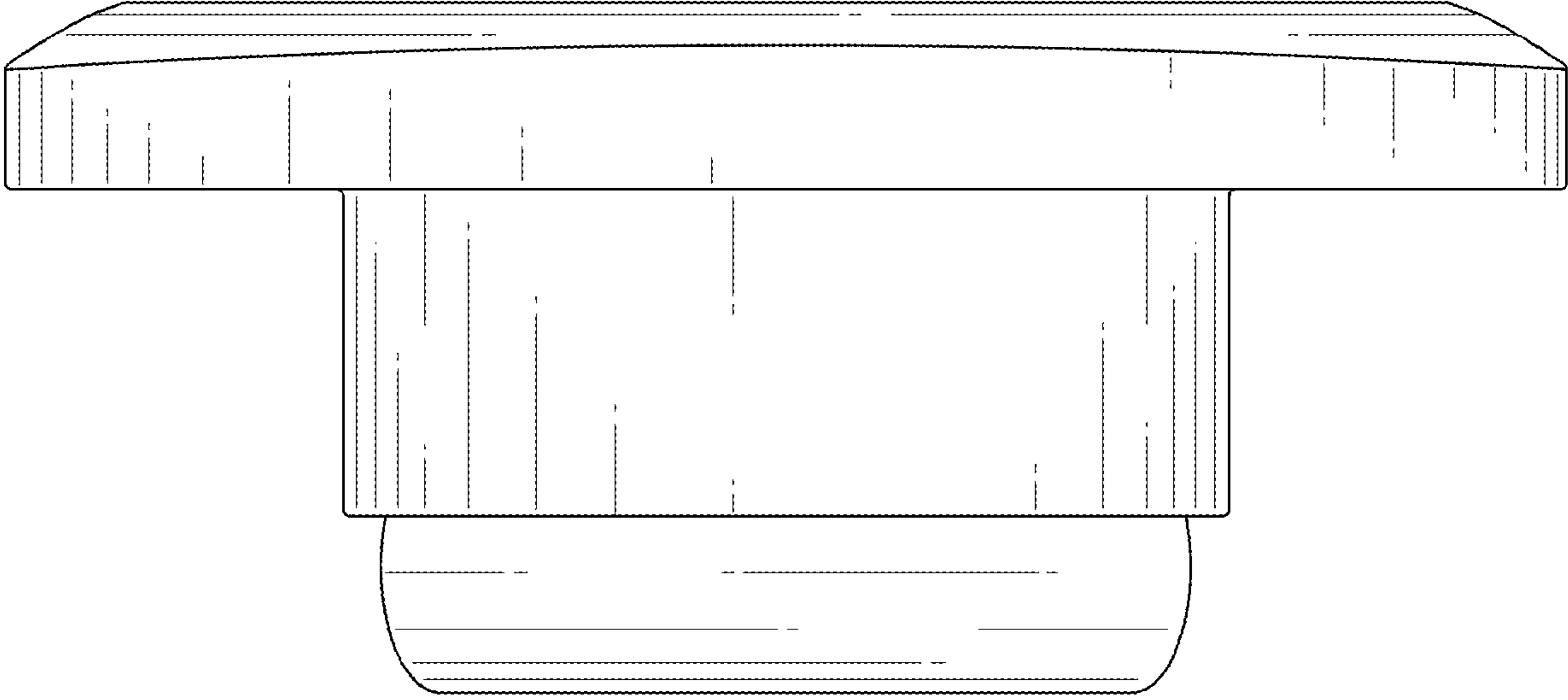


FIG. 3

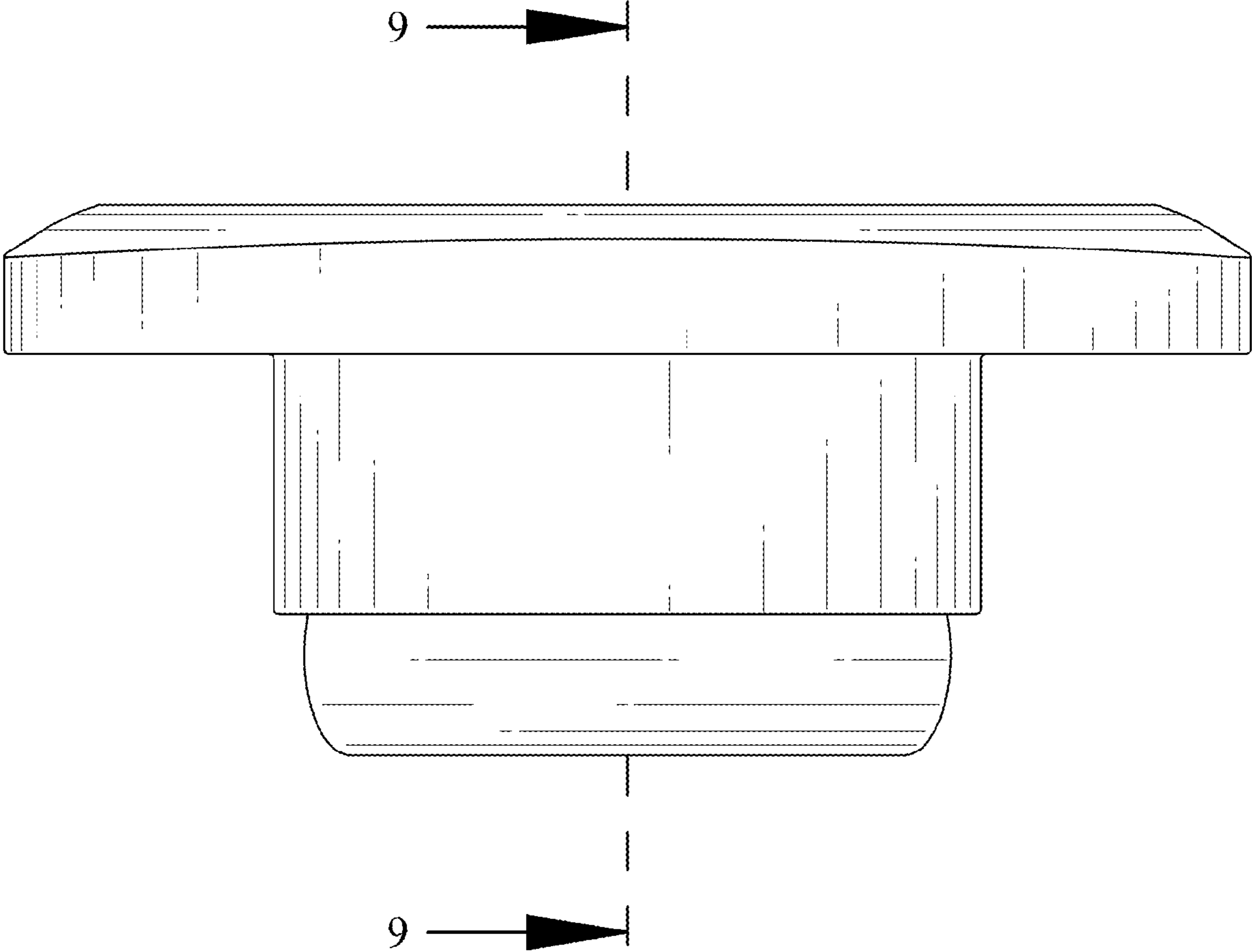


FIG. 4



FIG. 5

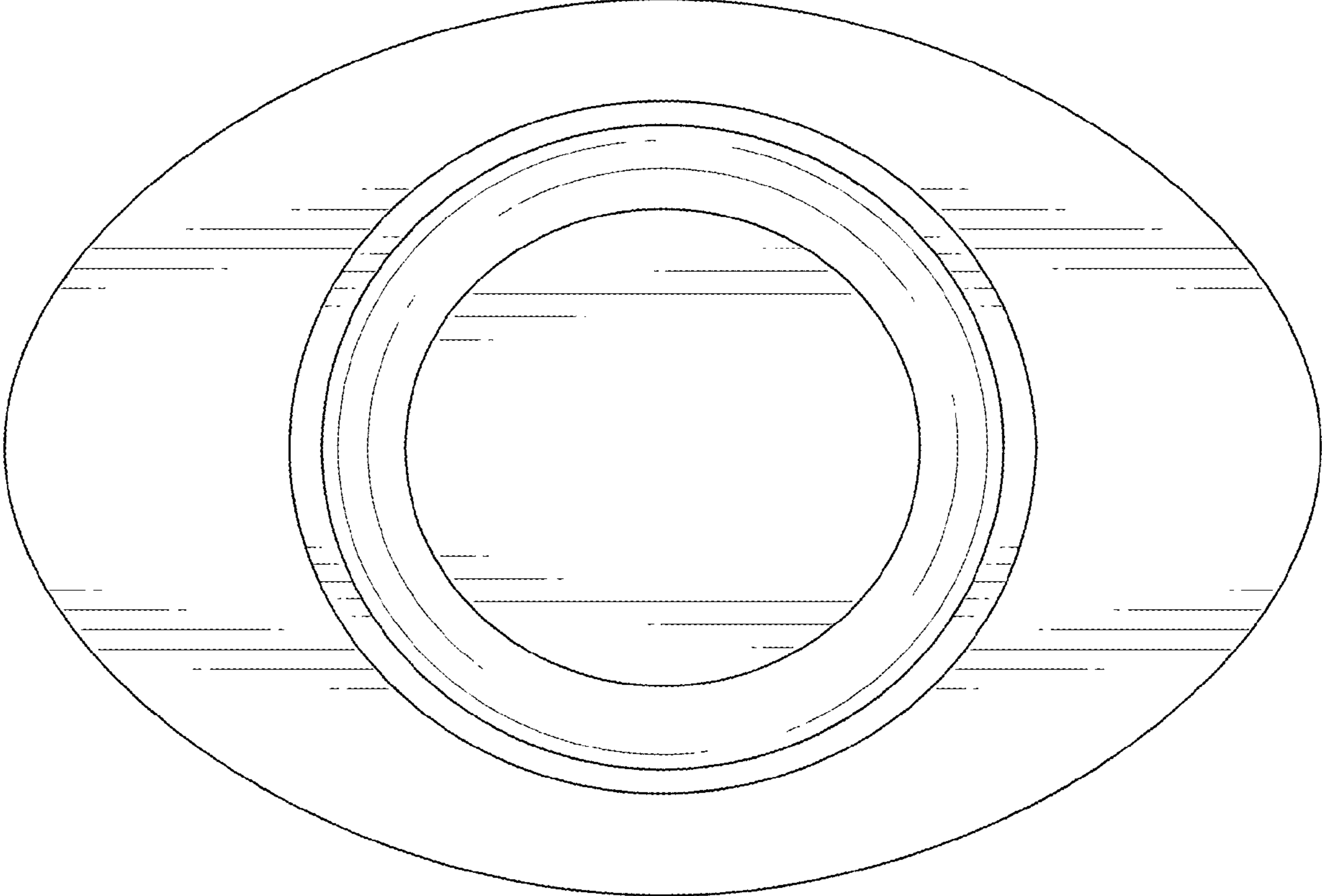


FIG. 6

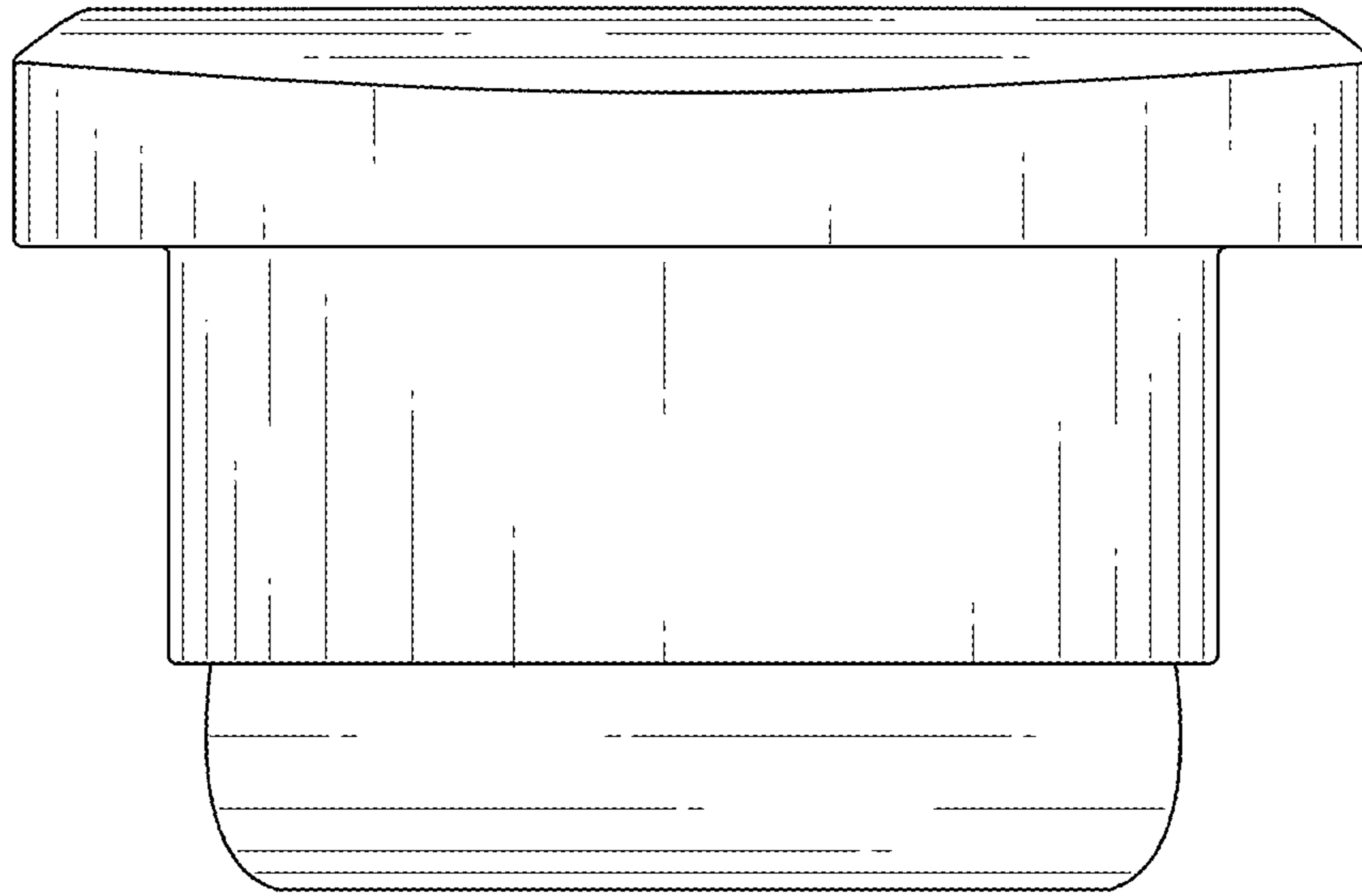


FIG. 7

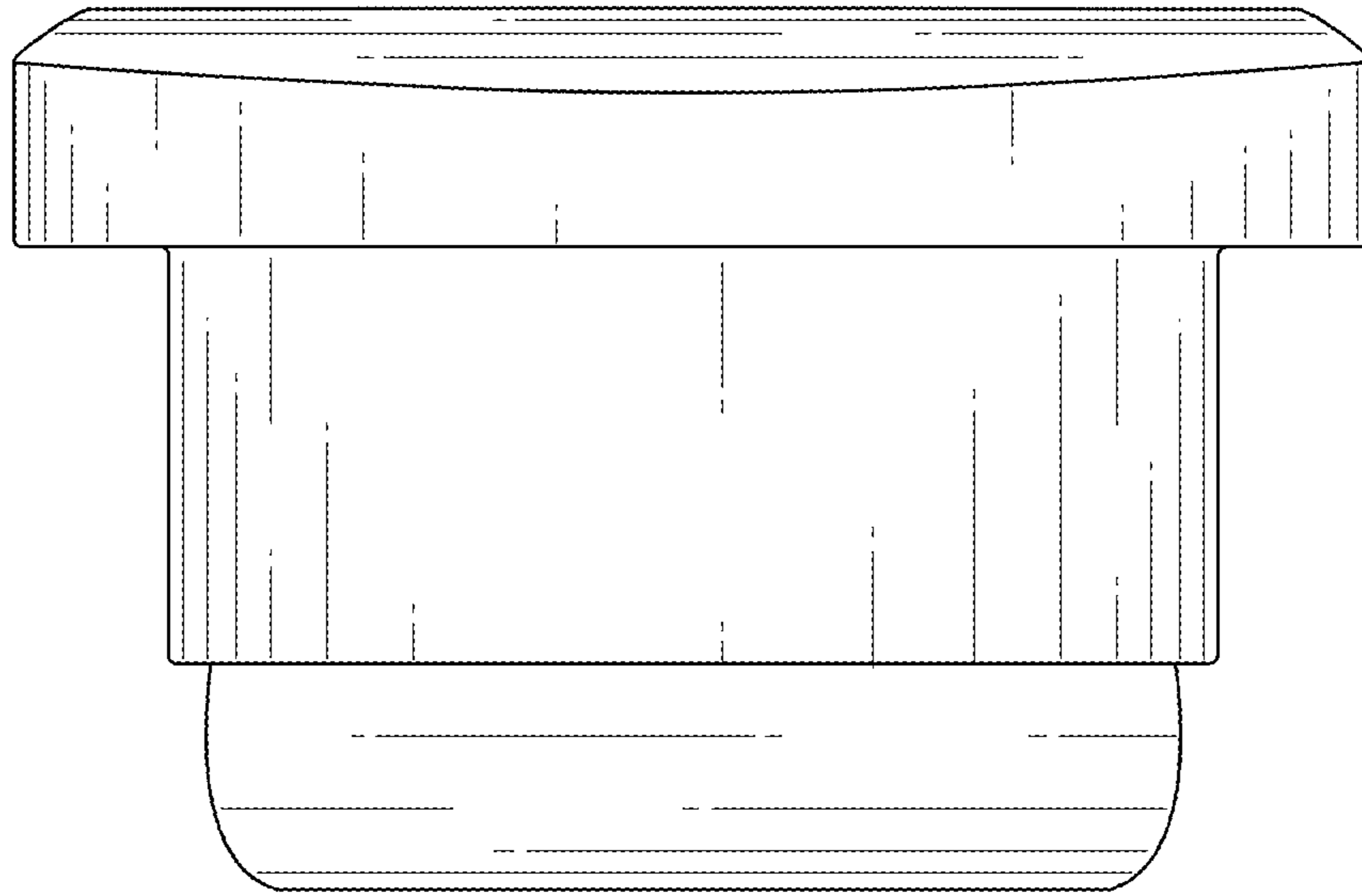


FIG. 8

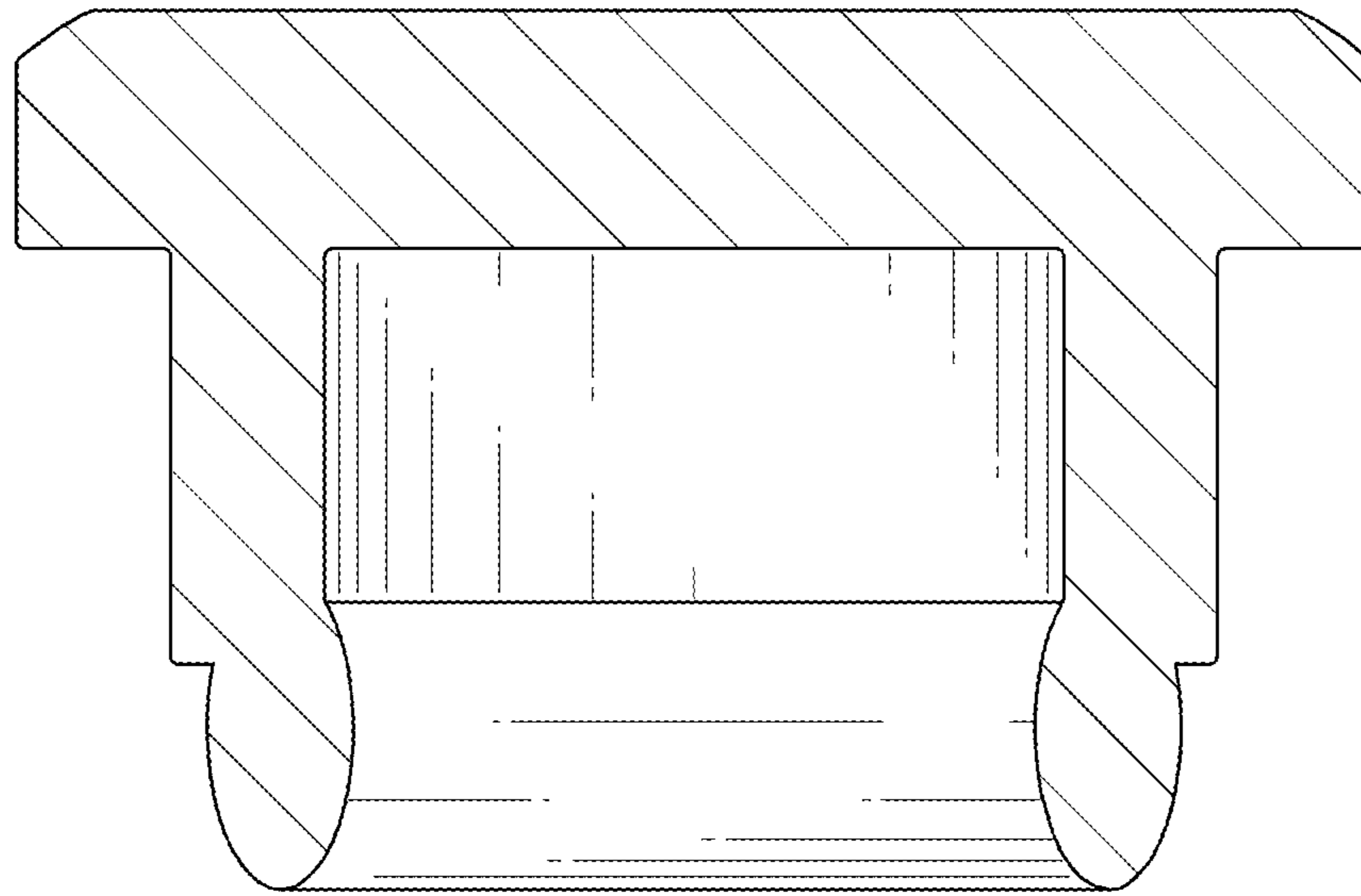


FIG. 9