



US0D1018255S

(12) **United States Design Patent** (10) **Patent No.:** **US D1,018,255 S**
Zhao (45) **Date of Patent:** **** Mar. 19, 2024**

(54) **SMART ELECTRONIC LOCK**
(71) Applicant: **Jianmei Zhao**, Xishui (CN)
(72) Inventor: **Jianmei Zhao**, Xishui (CN)
(**) Term: **15 Years**
(21) Appl. No.: **29/860,187**
(22) Filed: **Nov. 17, 2022**
(51) **LOC (14) Cl.** **08-06**
(52) **U.S. Cl.**
USPC **D8/301; D8/331**
(58) **Field of Classification Search**
USPC D8/300-303, 306-308, 310, 315,
D8/330-332, 336, 338, 339, 341, 342,
D8/346; D14/159
CPC E05B 47/026; E05B 2047/0058; E05B
45/06; E05B 67/00; E05B 2035/009;
E05B 47/0615; E05B 2047/0095; E05B
1/003; E05B 15/0033; E05B 1/0084
See application file for complete search history.

D965,410 S * 10/2022 Li D8/308
D991,006 S * 7/2023 Chen D8/308
D1,001,613 S * 10/2023 Lindo D8/308

OTHER PUBLICATIONS

Enoker, posted May 13, 2023 [online], [retrieved Nov. 28, 2023]. Retrieved from internet, <https://www.amazon.com/ENOKER-Fingerprint-Door-Lock-Knob/dp/B0C55F996B/ref> (Year: 2023).*
Aierboz, posted Jul. 27, 2023 [online], [retrieved Nov. 28, 2023]. Retrieved from internet, <https://www.amazon.com/AIERBOZ-Biometric-Fingerprint-Keyless-Apartment/dp/B0CCXZS9SH/ref> (Year: 2023).*

* cited by examiner

Primary Examiner — David G Muller
Assistant Examiner — Christina Gabrielle Cosden
(74) *Attorney, Agent, or Firm* — Jose Cherson Weissbrot

(57) **CLAIM**

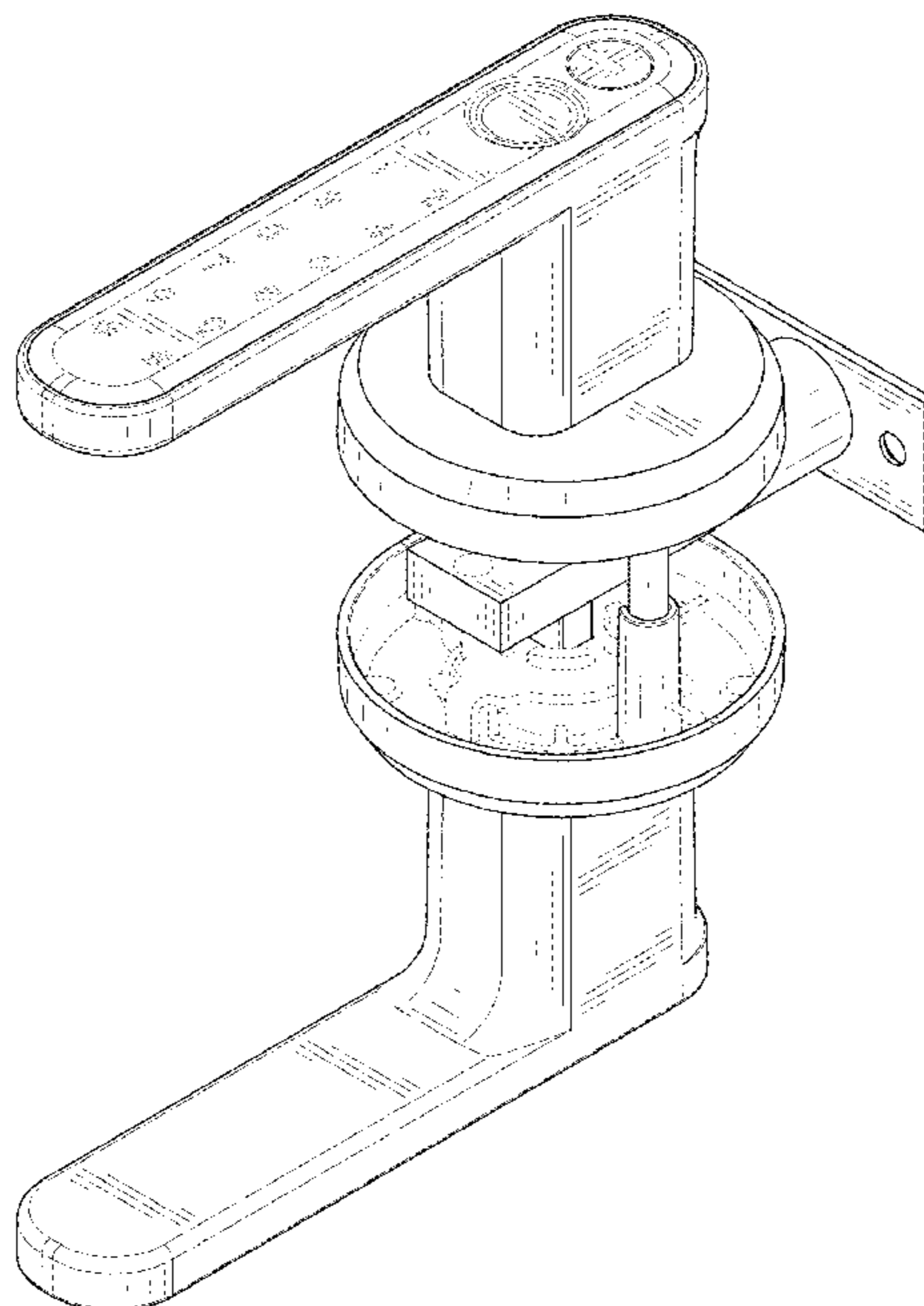
The ornamental design for a smart electronic lock, as shown and described.

DESCRIPTION

FIG. 1 is a first perspective view of a smart electronic lock showing my new design;
FIG. 2 is a second perspective view thereof;
FIG. 3 is a front view thereof;
FIG. 4 is a back view thereof;
FIG. 5 is a left side view thereof;
FIG. 6 is a right side view thereof;
FIG. 7 is a top view thereof; and,
FIG. 8 is a bottom view thereof.
The broken lines shown in the drawings depict portions of the smart electronic lock that form no part of the claimed design.

(56) **References Cited**
U.S. PATENT DOCUMENTS
D570,188 S * 6/2008 Luo D8/338
D611,798 S * 3/2010 Le D8/331
D708,039 S * 7/2014 Aispuro D8/301
D709,351 S * 7/2014 Le D8/331
D740,642 S * 10/2015 Carlsson D8/301
D745,360 S * 12/2015 Sun D8/308
D773,914 S * 12/2016 Aispuro D8/301
10,563,425 B2 * 2/2020 Lunday E05B 17/10
D923,455 S * 6/2021 Chen D8/338
D944,250 S * 2/2022 Lavallee D8/308
D950,353 S * 5/2022 Dai D8/302
D957,231 S * 7/2022 Dai E05B 9/02
D8/343

1 Claim, 8 Drawing Sheets



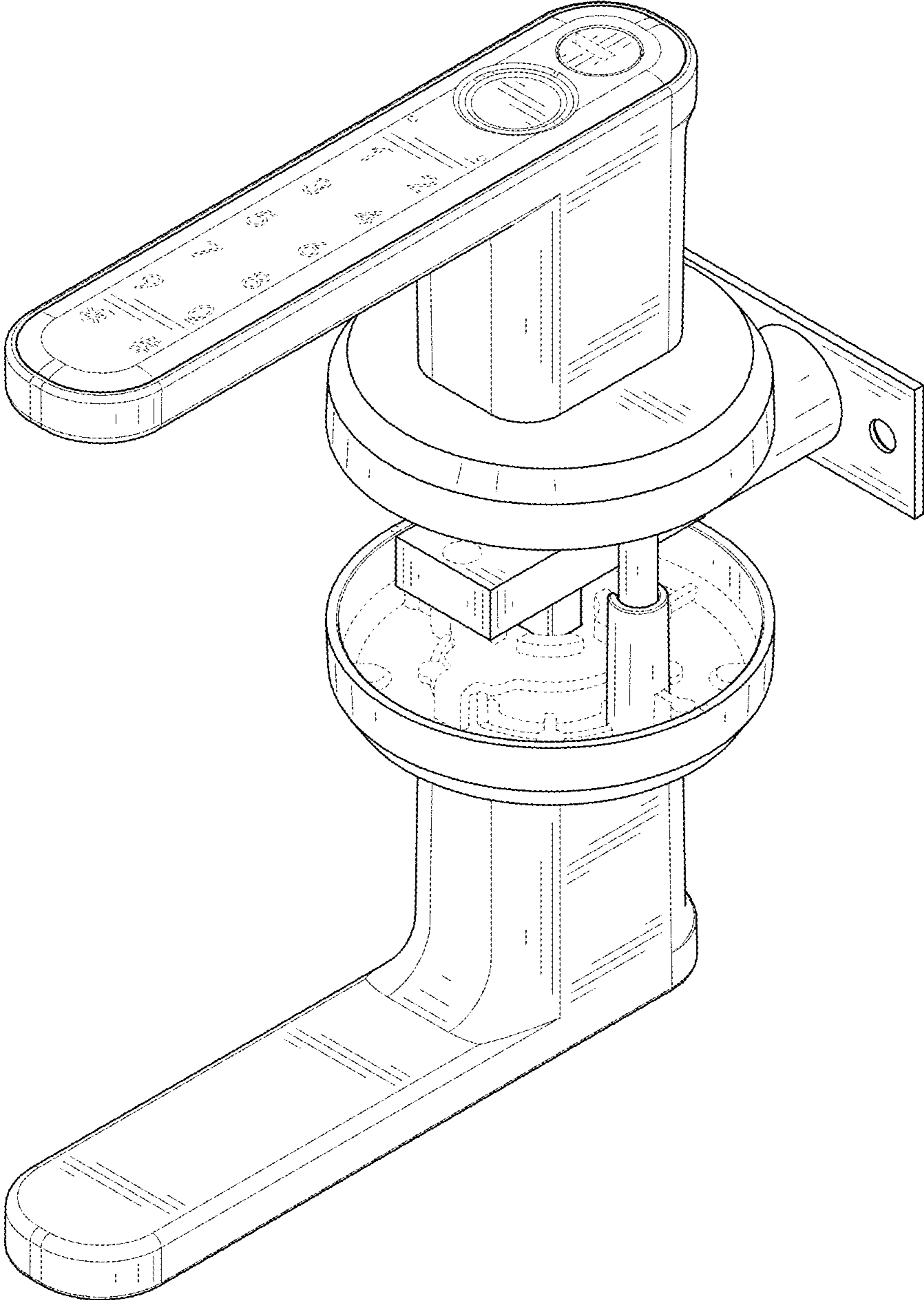


FIG. 1

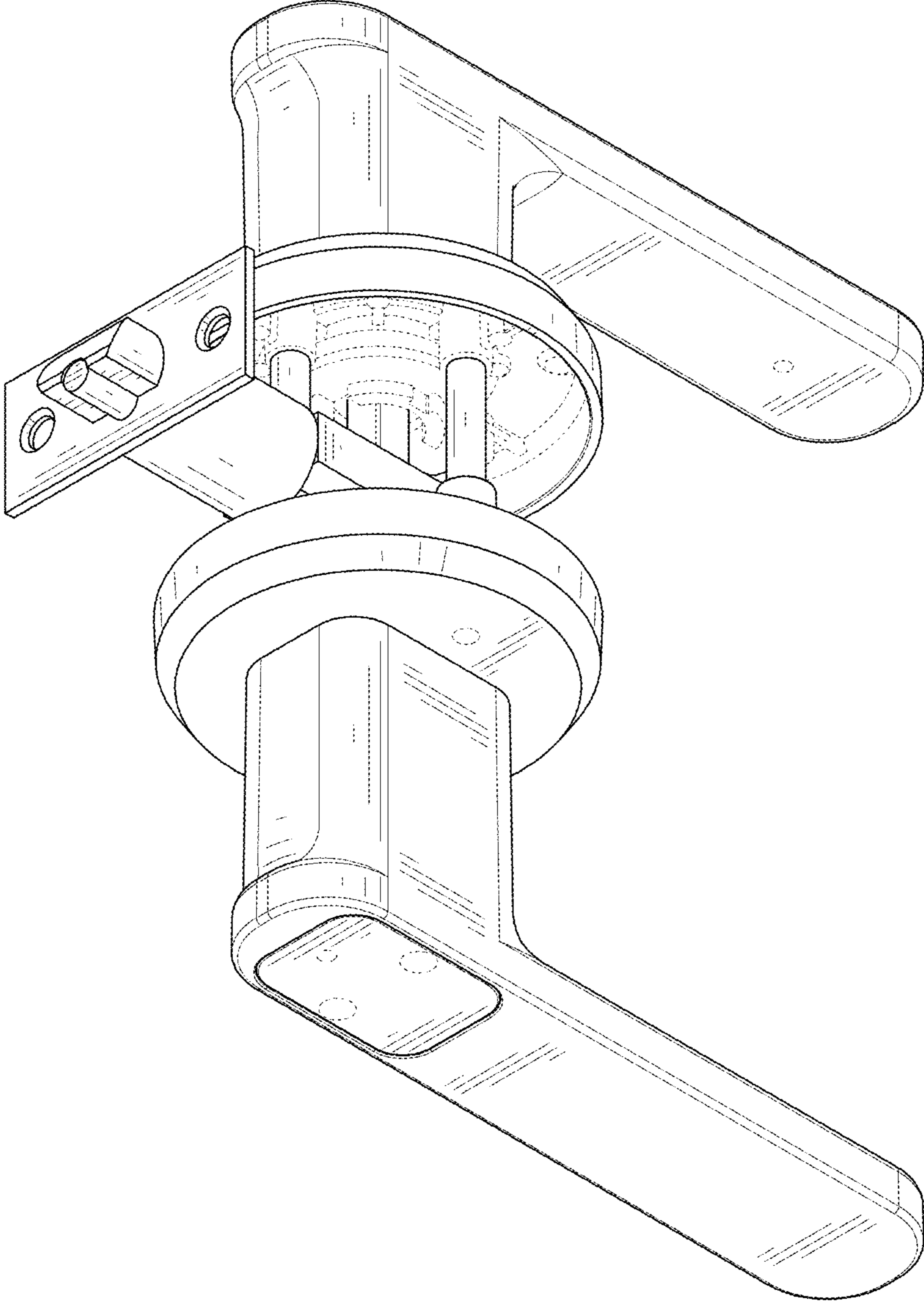


FIG. 2

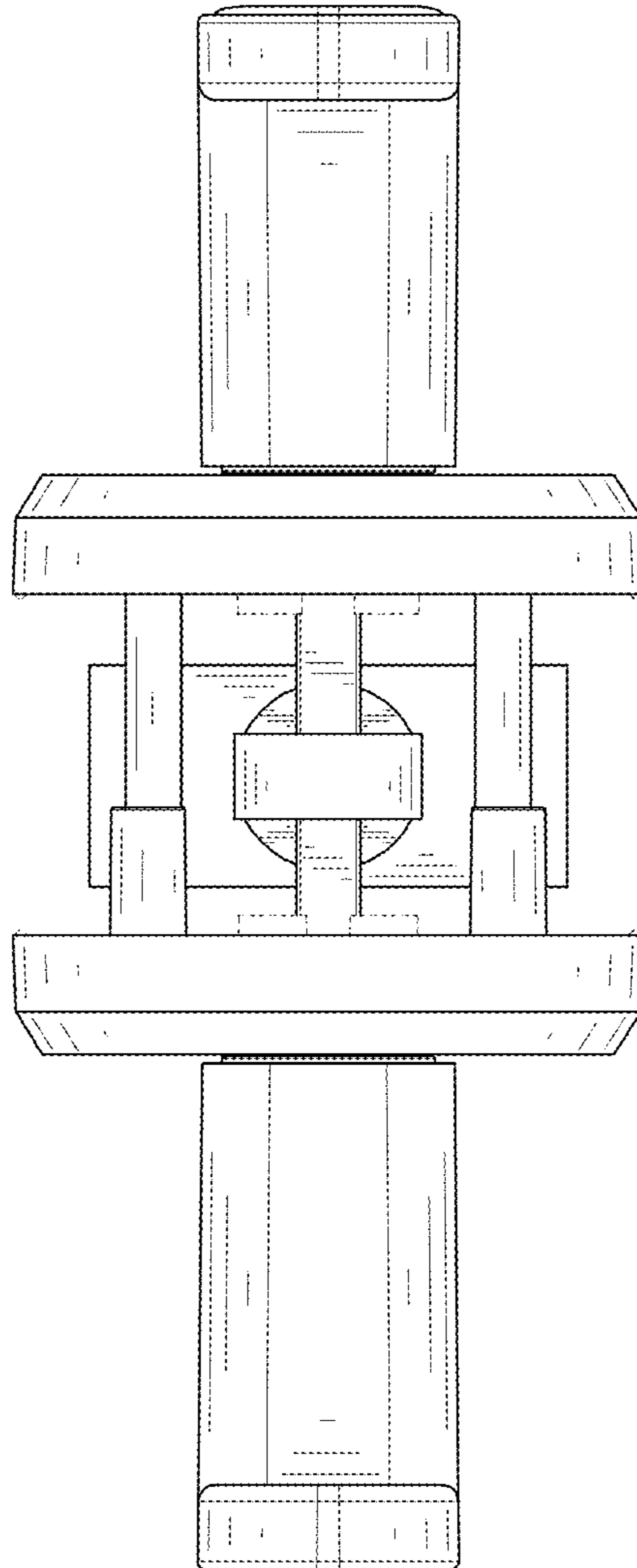


FIG. 3

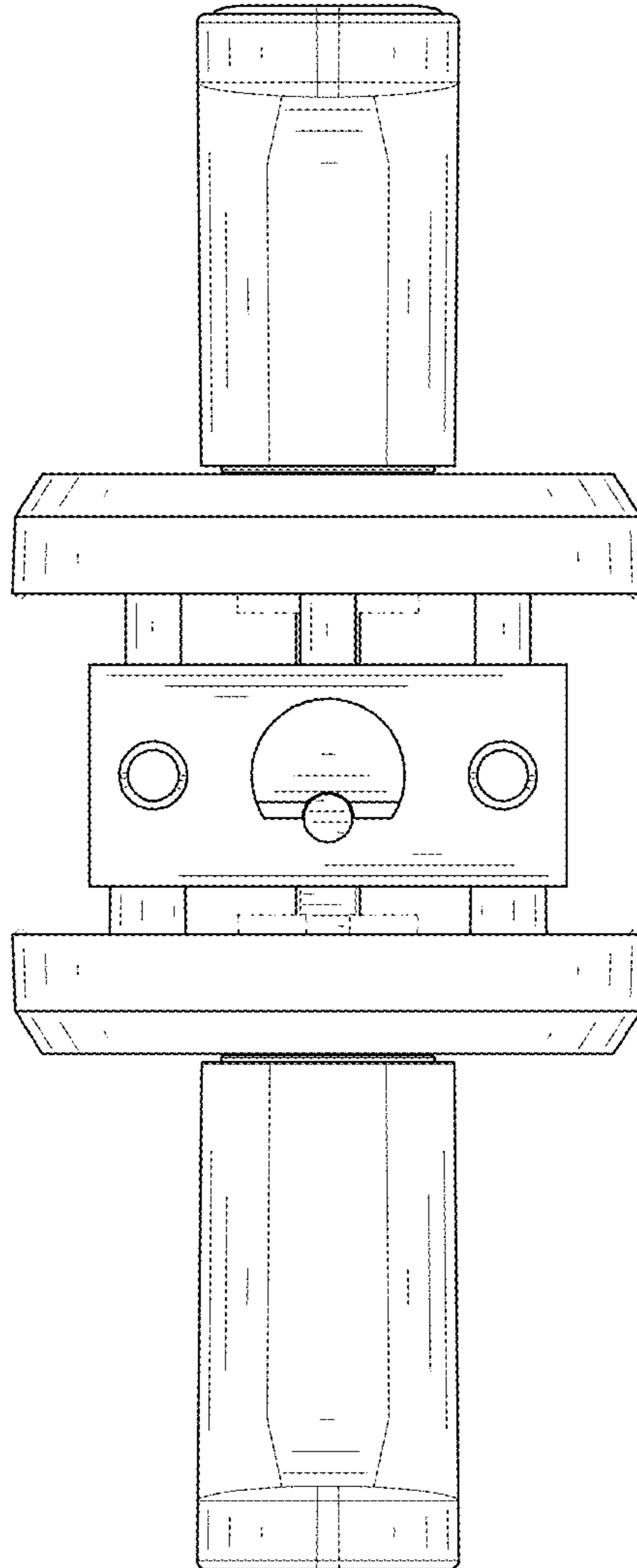


FIG. 4

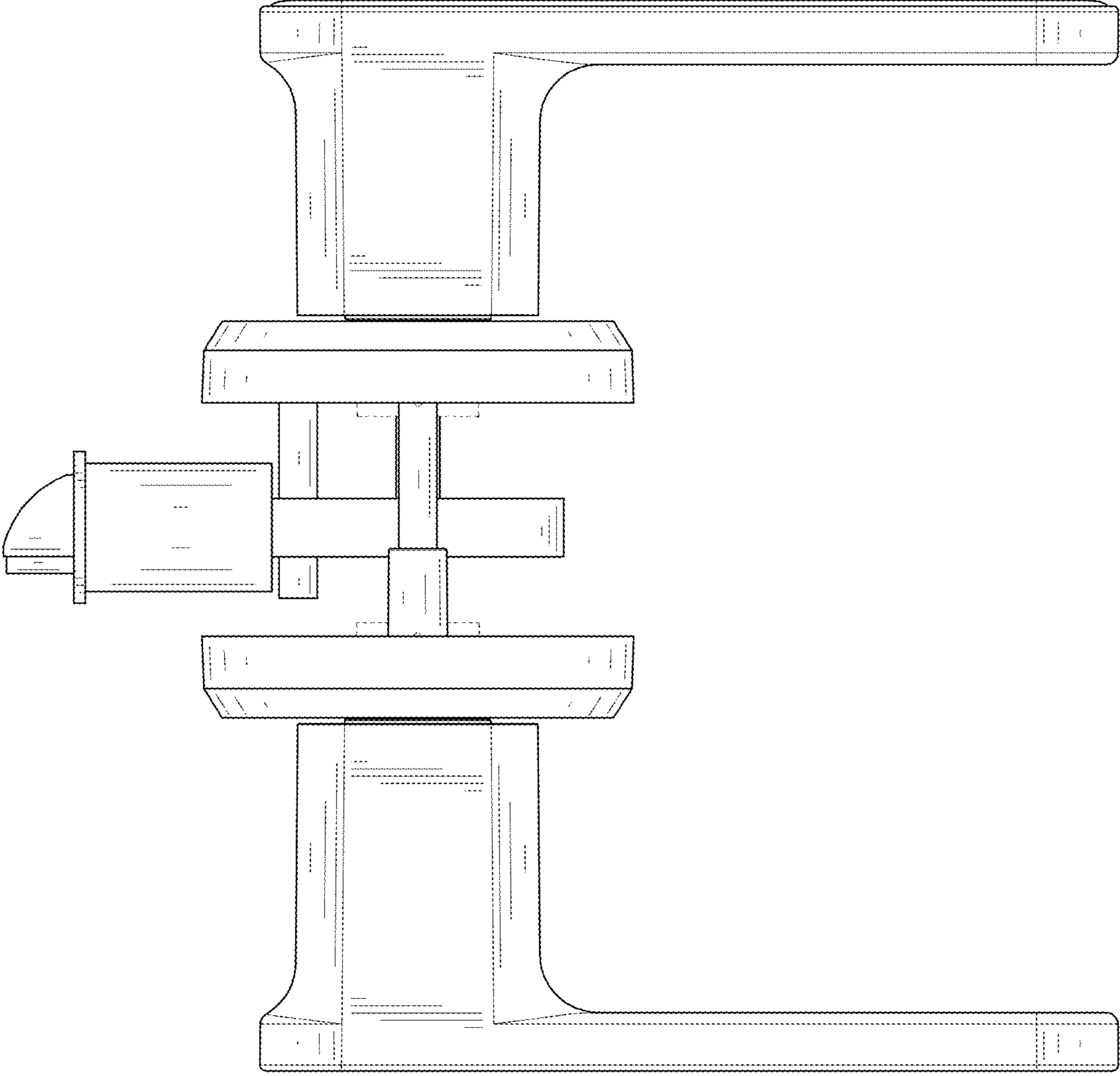


FIG. 5

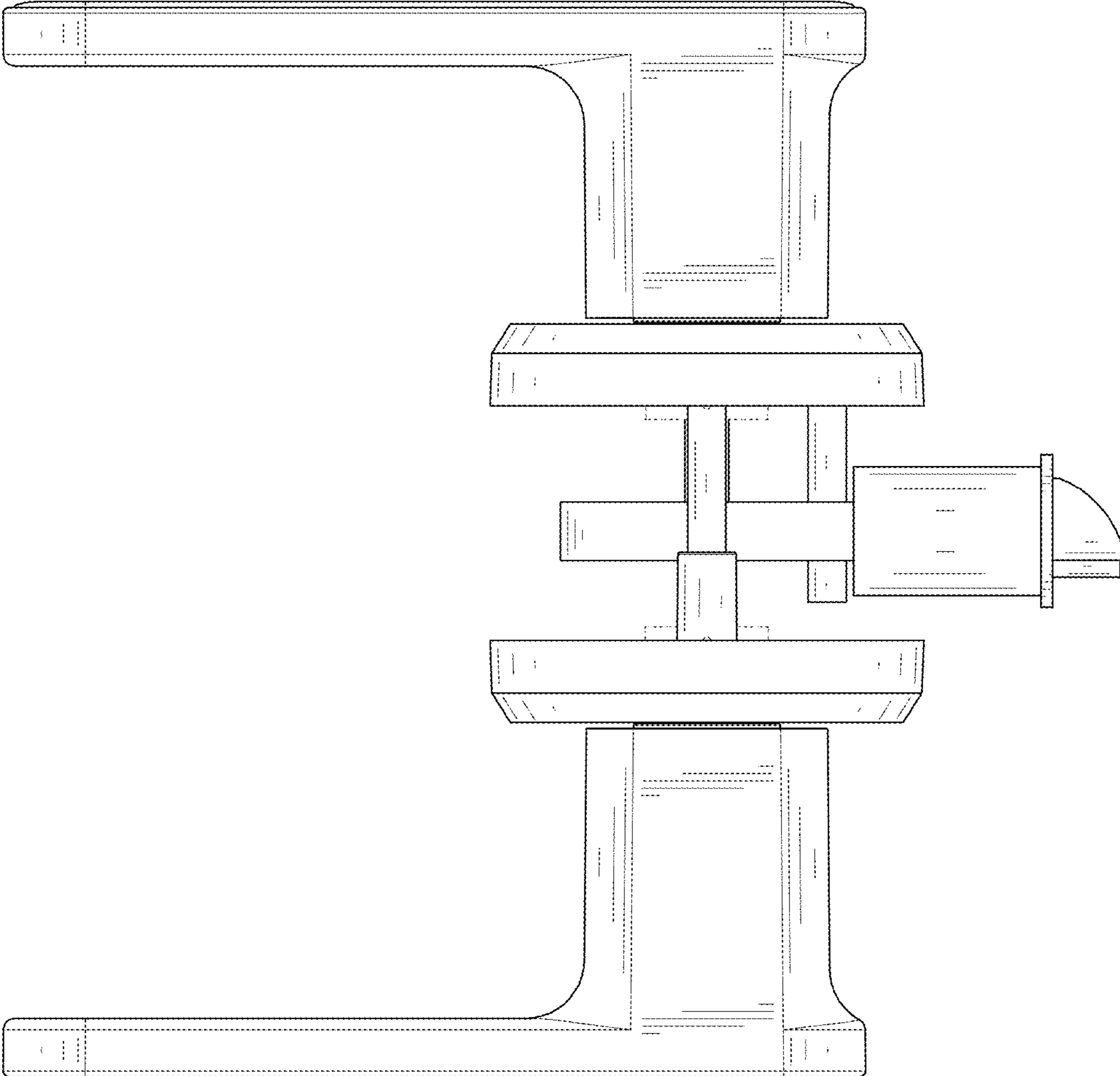


FIG. 6

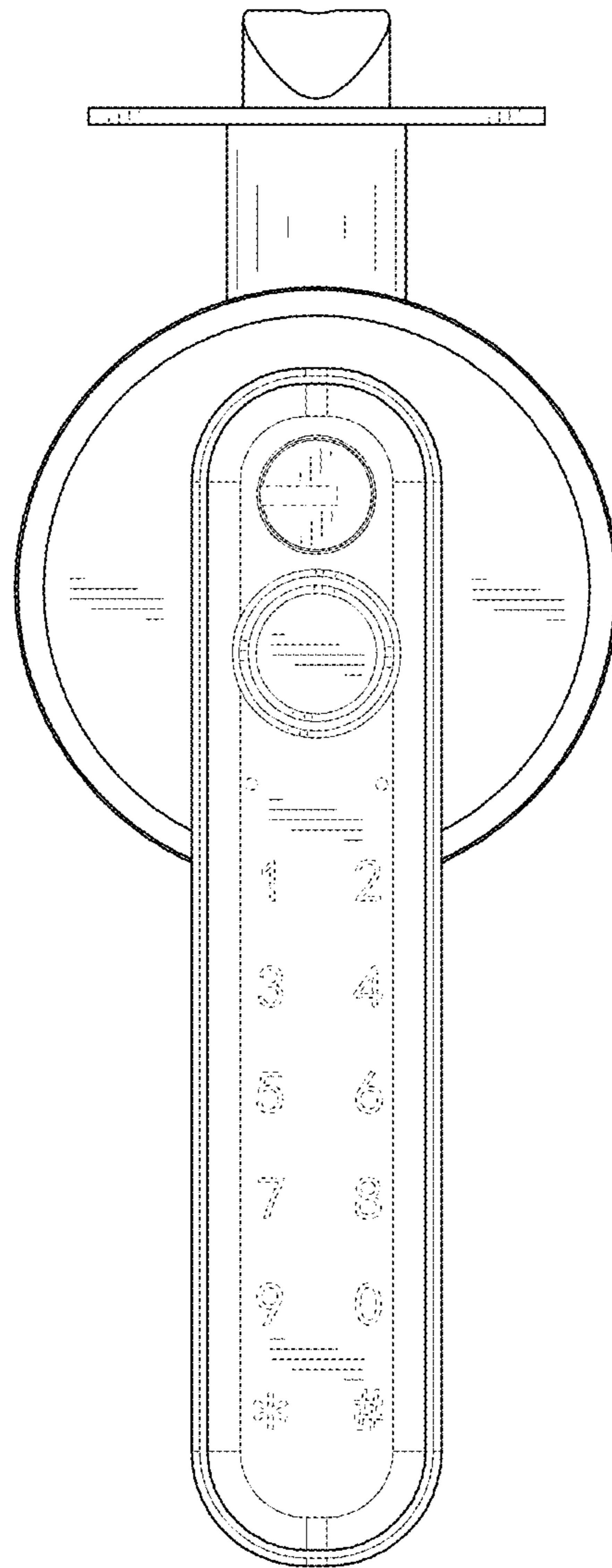


FIG. 7

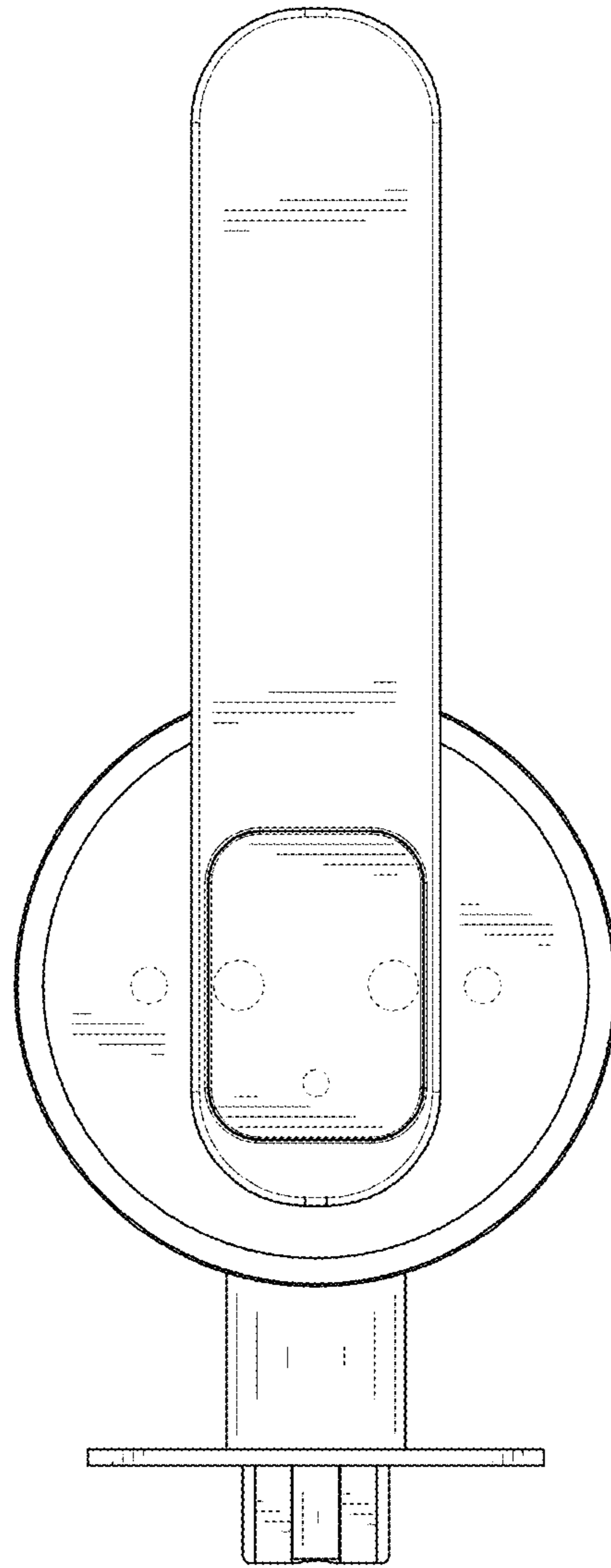


FIG. 8