



US0D1018250S

(12) **United States Design Patent** (10) **Patent No.:** **US D1,018,250 S**
Levand et al. (45) **Date of Patent:** **** *Mar. 19, 2024**

(54) **MULTI-TOOL WITH BIT SLOT**

FOREIGN PATENT DOCUMENTS

(71) Applicant: **The Sherwin-Williams Company,**
Cleveland, OH (US)

CN 1280532 A 1/2001
CN 2759727 Y 2/2006

(Continued)

(72) Inventors: **Victor J. Levand,** Lyndhurst, OH (US);
Sharad Gaurav, Lakewood, OH (US);
Sarah Bridget Mulroy, Rocky River,
OH (US); **Joshua R. Robertson,** North
Ridgeville, OH (US); **Edward Ray**
Goodwin, Westlake, OH (US); **Randi**
Boss, Avon Lake, OH (US); **Michael C.**
Lambertson, Jr., Aurora, OH (US)

OTHER PUBLICATIONS

Examination Report from corresponding Australian Application No.
2021204724 dated Jun. 16, 2022, 4 pages.

Primary Examiner — Philip S Hyder
(74) *Attorney, Agent, or Firm* — Tucker Ellis LLP

(73) Assignee: **The Sherwin-Williams Company,**
Cleveland, OH (US)

(*) Notice: This patent is subject to a terminal dis-
claimer.

(57) **CLAIM**

The ornamental design for a multi-tool with bit slot, as
shown and described.

(**) Term: **15 Years**

(21) Appl. No.: **29/828,890**

(22) Filed: **Mar. 1, 2022**

DESCRIPTION

Related U.S. Application Data

(63) Continuation of application No. 29/772,850, filed on
Mar. 4, 2021, now Pat. No. Des. 946,995, which is a
(Continued)

(51) **LOC (14) Cl.** **08-05**

(52) **U.S. Cl.**
USPC **D8/107**

(58) **Field of Classification Search**
USPC D8/45, 107, 14, 82, 83; D4/138;
D7/395; D32/46, 49, 52
(Continued)

FIG. 1 is a top front perspective view of an embodiment of
a multi-tool with bit slot showing a new design;
FIG. 2 is a top rear perspective view of the multi-tool as
illustrated in FIG. 1;
FIG. 3 is a bottom rear perspective view of the multi-tool as
illustrated in FIG. 1;
FIG. 4 is a top view of the multi-tool illustrated in FIG. 1;
FIG. 5 is a bottom view of the multi-tool illustrated in FIG.
1;
FIG. 6 is a front view of the multi-tool illustrated in FIG. 1;
FIG. 7 is a rear view of the multi-tool illustrated in FIG. 1;
FIG. 8 is a left side view of the multi-tool illustrated in FIG.
1; and,
FIG. 9 is a right side view of the multi-tool illustrated in FIG.
1.

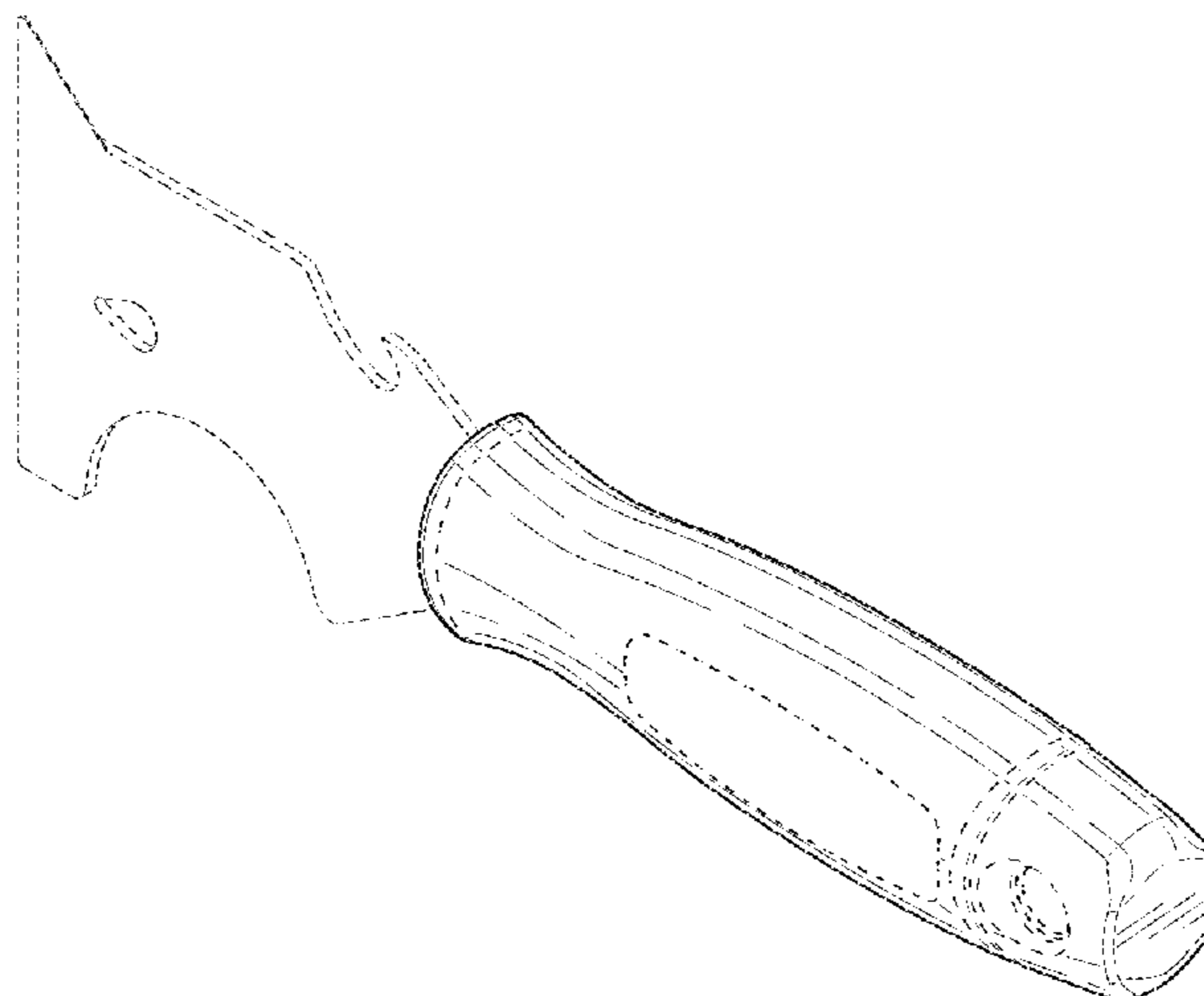
The broken lines depict portions of the multi-tool with bit
slot in which the design is embodied that are not considered
part of the claimed design.

(56) **References Cited**

U.S. PATENT DOCUMENTS

65,114 A 5/1867 Perkins
1,552,361 A 9/1925 Trombley
(Continued)

1 Claim, 5 Drawing Sheets



Related U.S. Application Data

continuation of application No. 29/758,250, filed on Nov. 13, 2020, now Pat. No. Des. 942,834, which is a continuation of application No. 29/705,502, filed on Sep. 12, 2019, now Pat. No. Des. 904,852, which is a continuation of application No. 29/659,953, filed on Aug. 14, 2018, now Pat. No. Des. 864,693, which is a continuation of application No. 29/591,135, filed on Jan. 17, 2017, now Pat. No. Des. 828,740.

(58) **Field of Classification Search**

CPC B25G 1/105; B25G 1/102; B25G 1/125; B25F 1/00; Y10T 16/44; Y10T 16/498
See application file for complete search history.

(56) **References Cited**

U.S. PATENT DOCUMENTS

2,092,586	A	9/1937	Naumovich
4,620,369	A	11/1986	Gercken
5,210,925	A	5/1993	Morgulis
5,251,352	A	10/1993	Cullison
5,528,834	A	6/1996	Seber et al.
5,546,625	A	8/1996	Mealey, Sr.
5,575,030	A	11/1996	Girard
5,615,445	A	4/1997	Kelsay et al.
D386,857	S	11/1997	Lawrence
D388,671	S	1/1998	Suganami
D414,395	S	9/1999	Panfili
5,956,799	A	9/1999	Panaccione et al.
6,009,581	A	1/2000	David et al.
D420,887	S	2/2000	Chen
D421,890	S	3/2000	Alexander et al.
6,131,222	A	10/2000	Anderson et al.
6,131,290	A	10/2000	Chiou
6,182,317	B1	2/2001	Huang
D444,692	S	7/2001	Marquardt
D446,104	S	8/2001	Chen
D446,437	S	8/2001	Chen
6,279,434	B1	8/2001	Brown
D456,236	S	4/2002	Norton
D462,251	S	9/2002	Collins et al.
D468,617	S	1/2003	Wang
D468,989	S	1/2003	Gringer et al.
D472,125	S	3/2003	Hsu
6,530,098	B1	3/2003	Gringer et al.
D482,588	S	11/2003	Lai
D483,244	S	12/2003	Chen
6,668,751	B1	12/2003	Henke
D487,387	S	3/2004	Chen
D490,290	S	5/2004	Norton
D498,124	S	11/2004	Mitchell
D516,394	S	3/2006	Chen
D517,896	S	3/2006	Hsu
D520,827	S	5/2006	Denton
D526,881	S	8/2006	Holby
D527,244	S	8/2006	Holby
D534,781	S	1/2007	Chen
D535,174	S	1/2007	Chen
D535,541	S	1/2007	Holby

D551,053	S	9/2007	Bruno et al.
D565,383	S	4/2008	Bruno et al.
D569,215	S	5/2008	Chiu
D572,565	S	7/2008	Perez et al.
D576,467	S	9/2008	Shu
7,434,318	B2	10/2008	Perez et al.
D581,764	S	12/2008	Kinskey et al.
D599,642	S	9/2009	Su
7,587,778	B2	9/2009	Rosso et al.
D608,177	S	1/2010	Perlman
D609,992	S	2/2010	Delaney
D612,702	S	3/2010	Perlman
7,788,760	B2	9/2010	Schneble
7,818,843	B2	10/2010	Kinskey et al.
D629,578	S	12/2010	Molina
8,205,341	B2	6/2012	Rosso et al.
D674,259	S	1/2013	Metaxatos et al.
D674,260	S	1/2013	Metaxatos et al.
D693,077	S	11/2013	Thompson
8,819,944	B2	9/2014	Farland et al.
8,844,087	B2	9/2014	Marsden et al.
8,844,410	B2	9/2014	Henke et al.
8,856,995	B2	10/2014	Arvinte et al.
D719,433	S	12/2014	Cooper et al.
D733,517	S	7/2015	Constantine
10,040,185	B2	8/2018	Davis
2002/0073554	A1	6/2002	Chen
2007/0074401	A1	4/2007	Myers et al.
2007/0124881	A1	6/2007	Daugherty
2008/0110027	A1	5/2008	Seber et al.
2009/0084233	A1	4/2009	Rosso et al.
2009/0139051	A1	6/2009	Hobbs
2009/0293200	A1	12/2009	Rosso et al.
2010/0117262	A1	5/2010	Gringer
2011/0138540	A1	6/2011	Kinskey et al.
2012/0137445	A1	6/2012	Arvinte et al.
2012/0246946	A1	10/2012	Kreitz et al.
2013/0227794	A1	9/2013	Wang
2014/0173832	A1	6/2014	Kim
2017/0208976	A1	7/2017	Muise et al.
2018/0029213	A1	2/2018	Li
2019/0270191	A1	9/2019	Levand et al.

FOREIGN PATENT DOCUMENTS

CN	3509667	3/2006
CN	300768755	4/2008
CN	101193730 A	6/2008
CN	300840659	10/2008
CN	300845692	11/2008
CN	301211005	5/2010
CN	301456087	2/2011
CN	201970322 U	9/2011
CN	302173179	11/2012
CN	302214939	12/2012
CN	302276247	1/2013
CN	302296356	1/2013
CN	302313081	2/2013
CN	302439605	5/2013
CN	204450467 U	7/2015
GB	2274615 A	8/1994
GB	2482945 A	2/2012

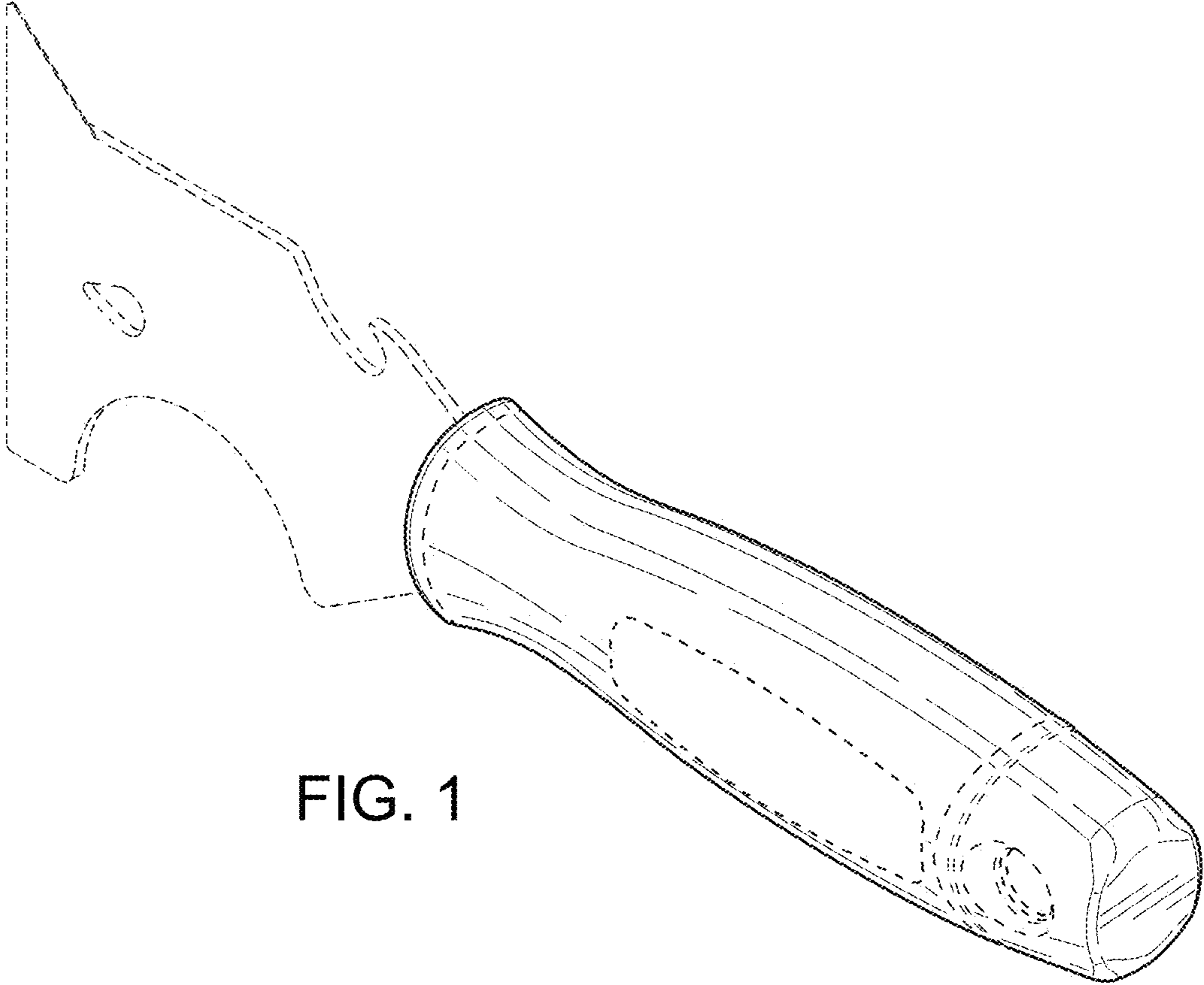


FIG. 1

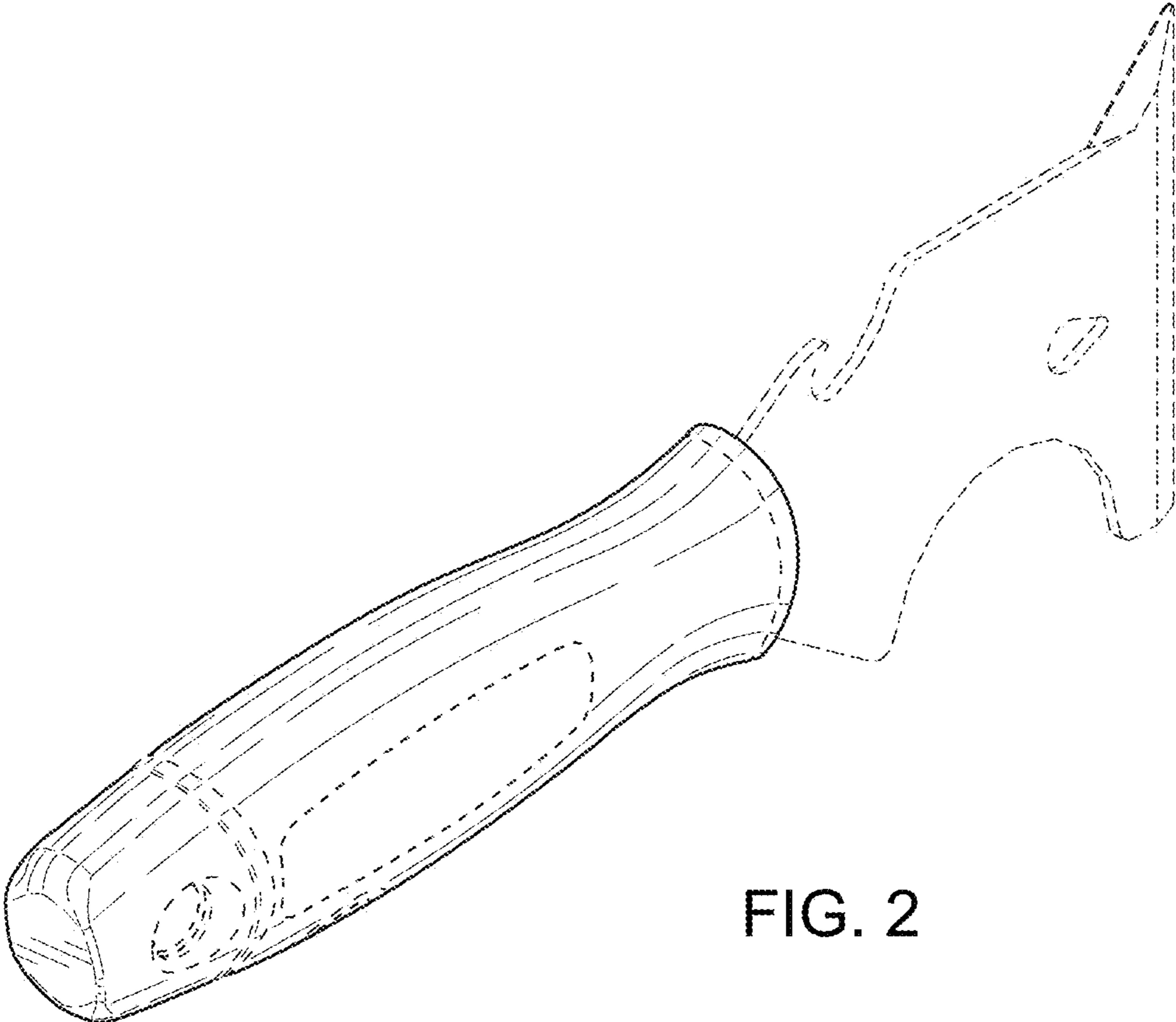


FIG. 2

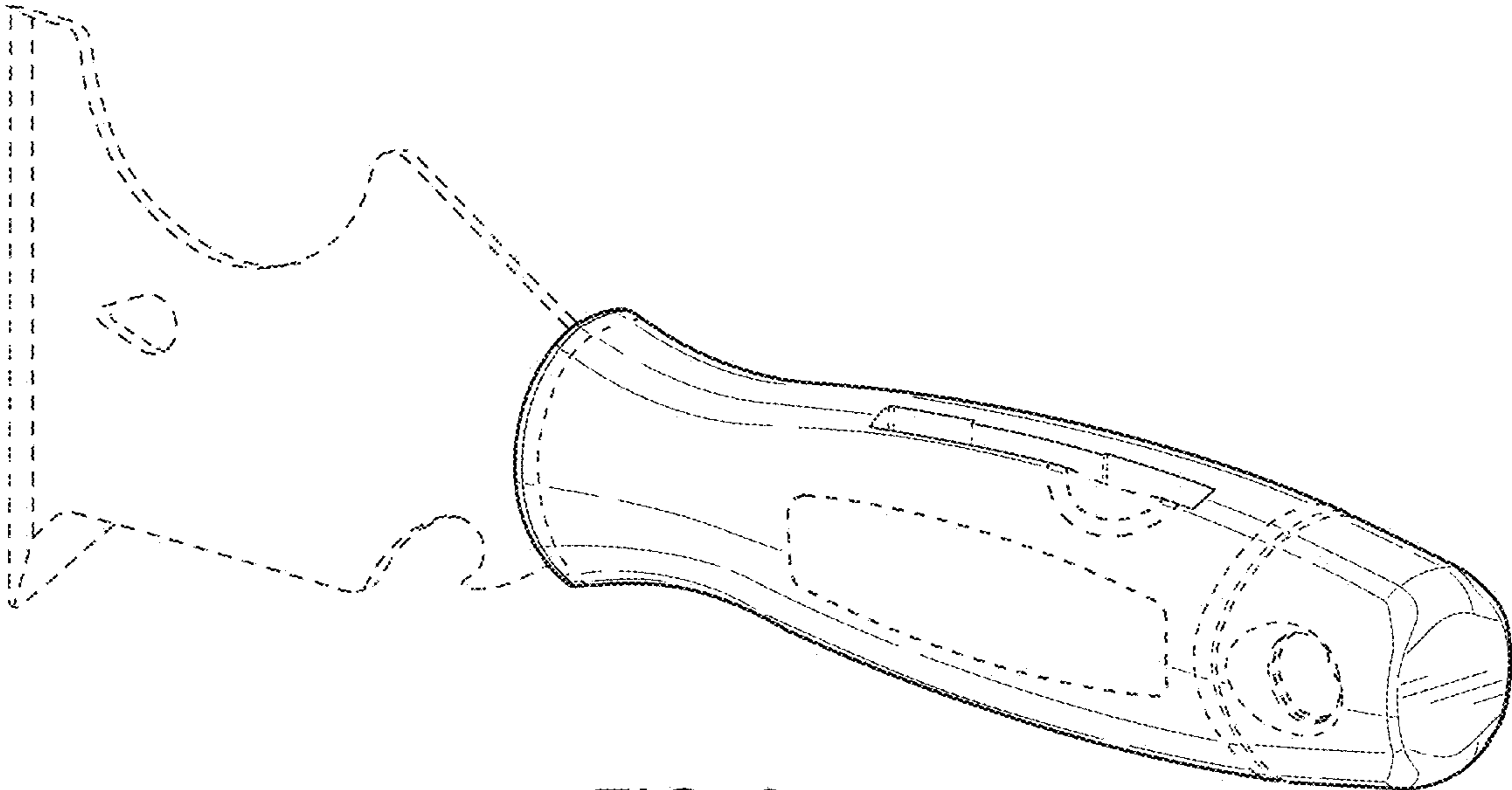


FIG. 3

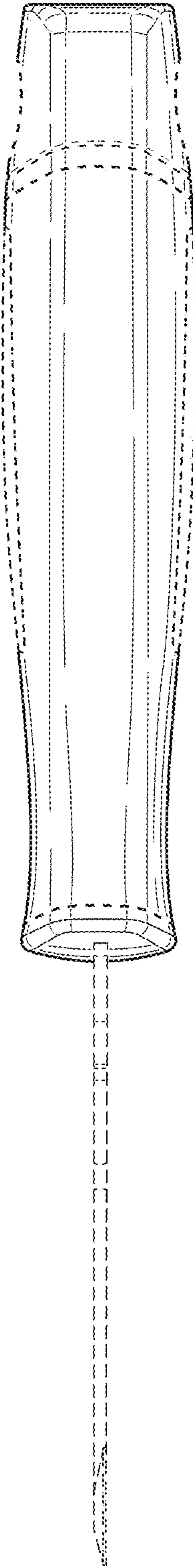


FIG. 4

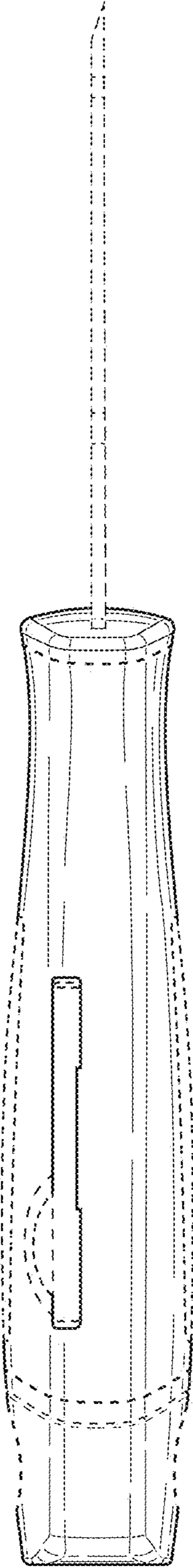
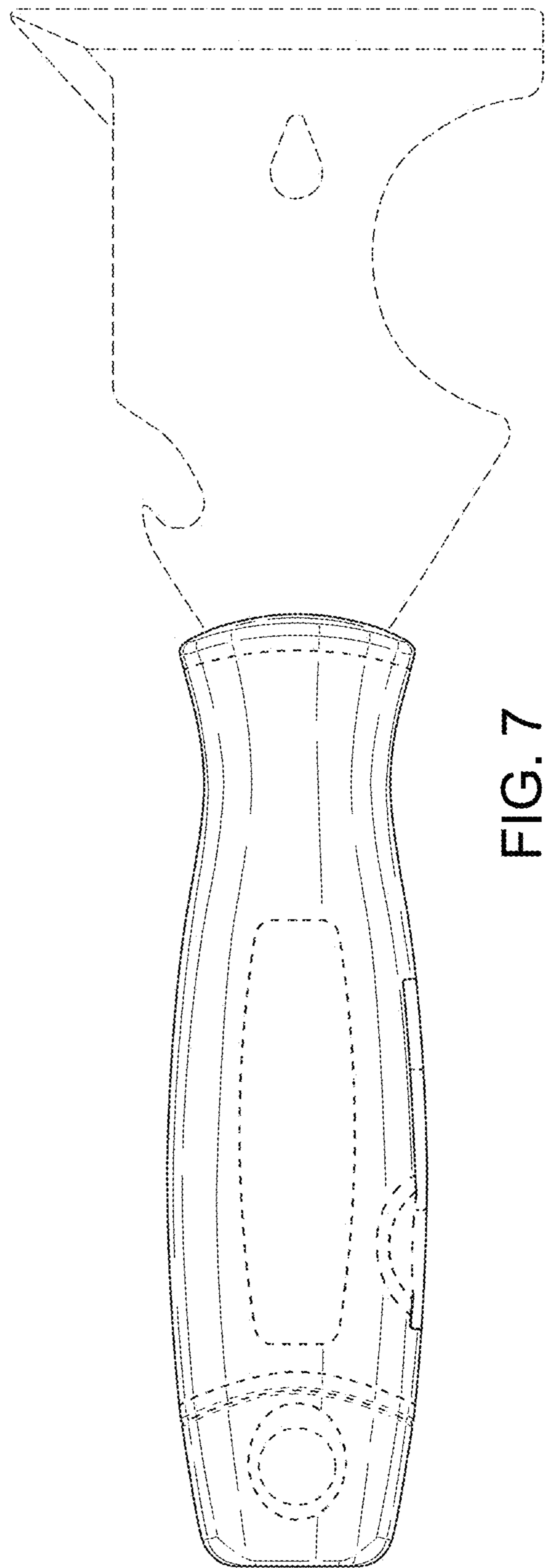
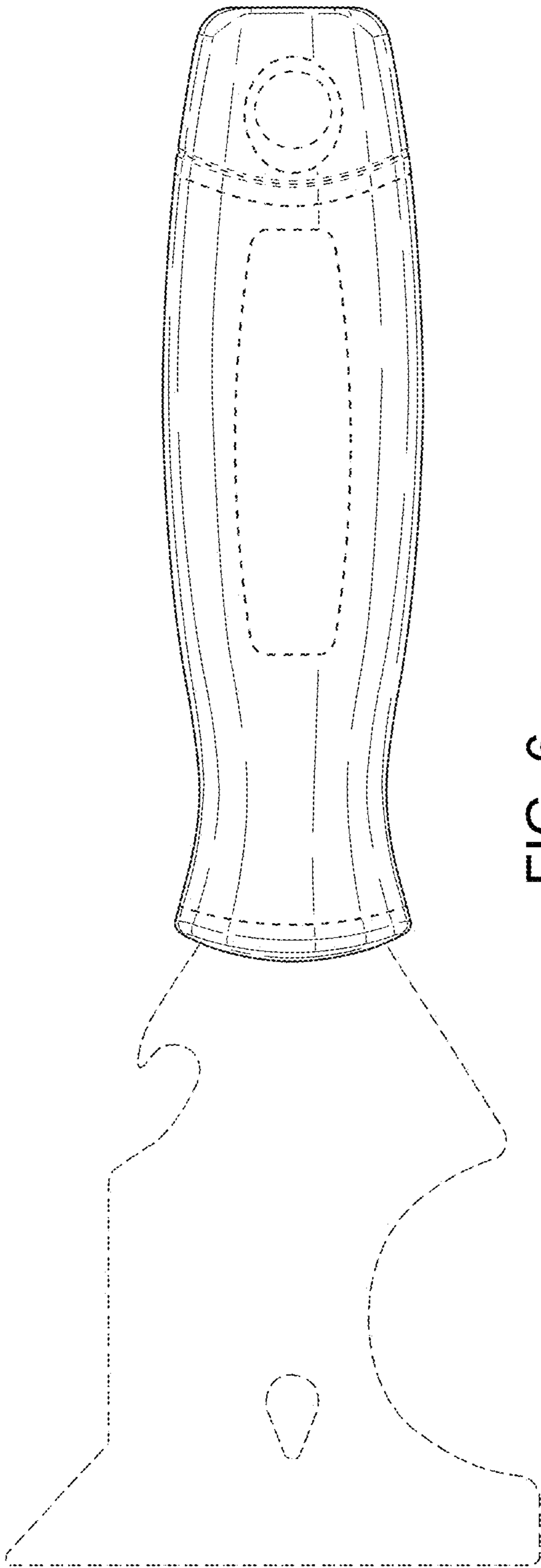


FIG. 5



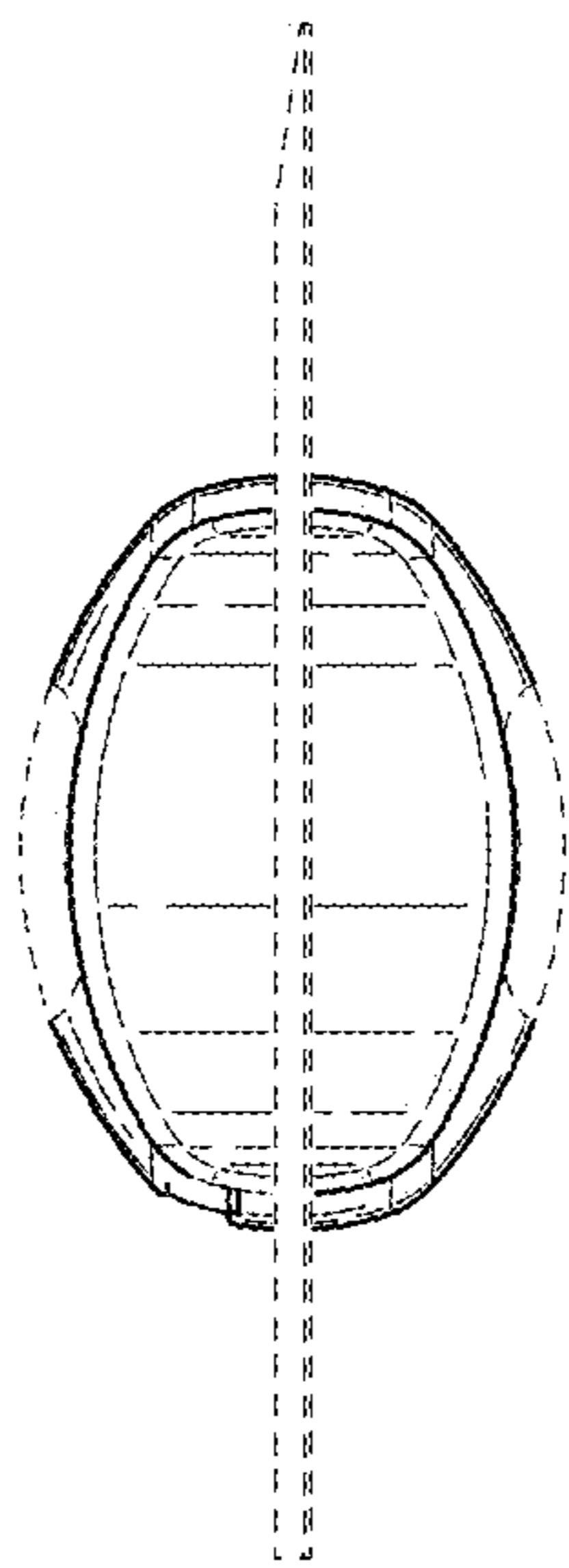


FIG. 8

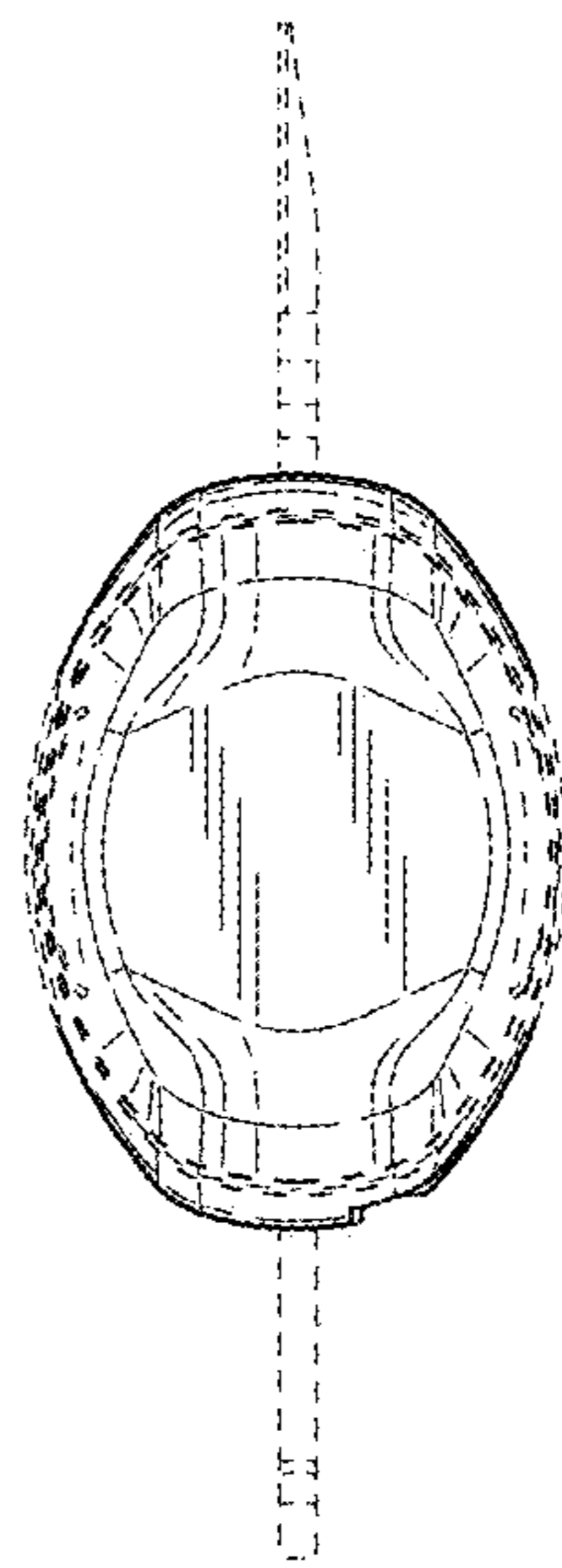


FIG. 9