



US0D1018215S

(12) **United States Design Patent** (10) **Patent No.:** **US D1,018,215 S**
Scicluna (45) **Date of Patent:** **** Mar. 19, 2024**

(54) **REUSABLE CUP HANDLE ATTACHMENT FOR TODDLERS AND INFANTS**

(71) Applicant: **All Better Creations LLC**, Roseville, CA (US)

(72) Inventor: **Zachary Scicluna**, Roseville, CA (US)

(73) Assignee: **All Better Creations LLC**, Roseville, CA (US)

(**) Term: **15 Years**

(21) Appl. No.: **29/786,116**

(22) Filed: **May 28, 2021**

(51) **LOC (14) Cl.** **07-09**

(52) **U.S. Cl.**
USPC **D7/622; D7/393**

(58) **Field of Classification Search**
USPC D3/229, 273, 274, 276, 283, 287, 288, D3/289, 292, 294, 299, 300, 301, 303, D3/305, 306, 310, 313, 315-316; D4/120, 128, 134-136; D7/372, 383, D7/393-395, 396.2, 400, 401.2, 504, 507, D7/523, 533, 541-549, 550.1, 551.1, D7/551.2, 553.1, 601, 602, 605, 607, 611, D7/612, 614, 619.1, 619.2, 620, 622, D7/624.1-624.3, 629, 635, 637, 638, D7/641-645, 647-649, 625, 662, 669, D7/682, 675, 701, 702, 703, 704, 705,
(Continued)

(56) **References Cited**

U.S. PATENT DOCUMENTS

3,990,596 A * 11/1976 Hoftman A61J 9/0623
215/396
D356,161 S * 3/1995 Peterson D24/199
8,322,563 B2 12/2012 Gold

(Continued)

FOREIGN PATENT DOCUMENTS

CN 303570394 * 1/2016
CN 307394349 * 6/2022

(Continued)

OTHER PUBLICATIONS

Baby Blendy Baby Bottle Handles, posted date unknown [online], [retrieved Dec. 6, 2022]. Retrieved from internet, <https://babyblendybottles.com/products/sippy-cup-grip-handles>.*

(Continued)

Primary Examiner — Nicole C Shiflet
Assistant Examiner — Yen Le Southwood

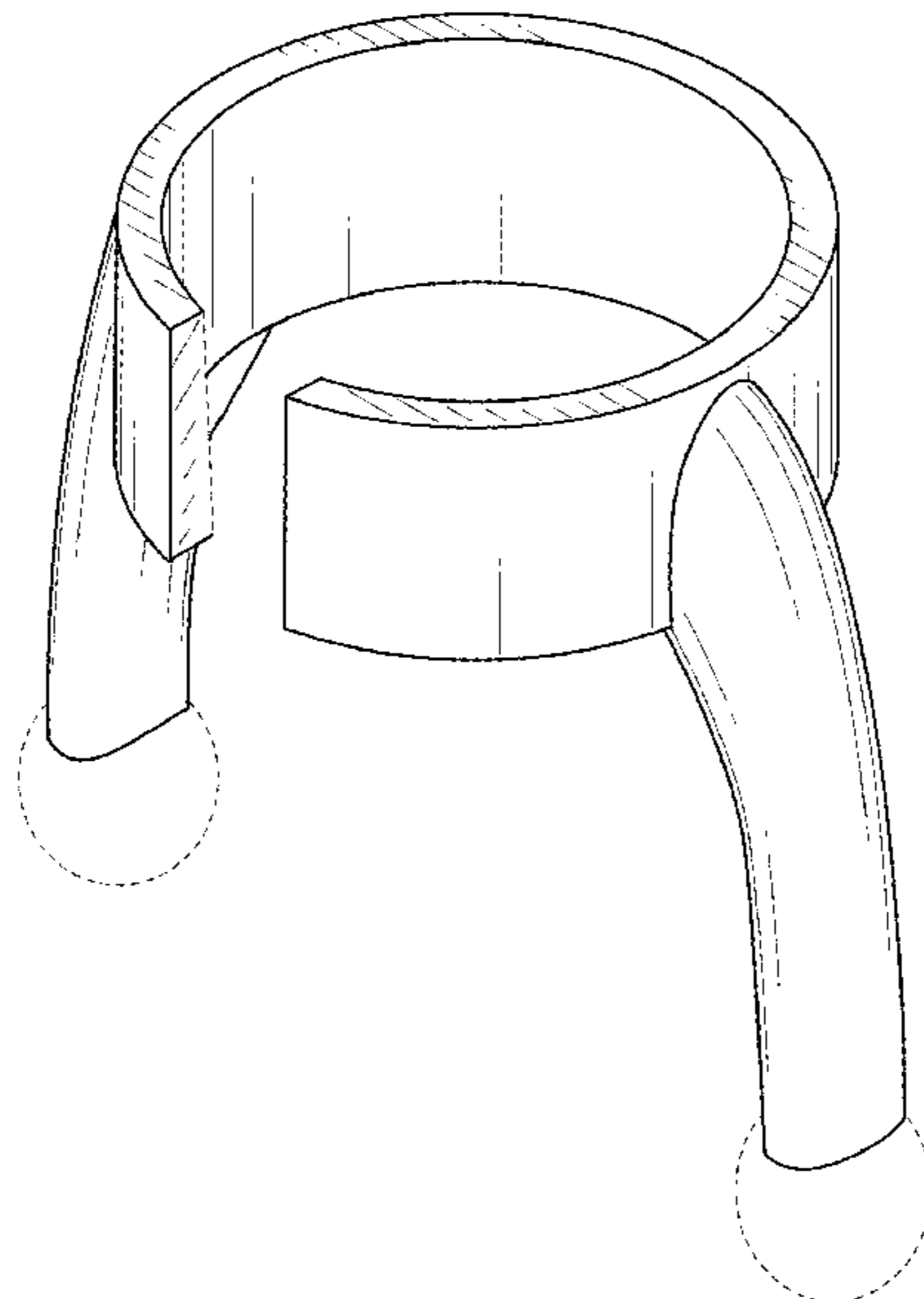
(57) **CLAIM**

The ornamental design for a reusable cup handle attachment for toddlers and infants, as shown and described.

DESCRIPTION

FIG. 1 is a top front perspective view of a reusable cup handle attachment for toddlers and infants showing my new design;
FIG. 2 is a bottom rear perspective view thereof;
FIG. 3 is a front elevational view thereof;
FIG. 4 is a back elevational view thereof;
FIG. 5 is a left elevational view thereof;
FIG. 6 is a right elevational view thereof;
FIG. 7 is a top plan view thereof;
FIG. 8 is a bottom plan view thereof; and,
FIG. 9 is a top front perspective view of the claimed design in use.
The broken line showing handle ends and inner edges in FIGS. 1-9 is included for the purpose of illustrating environmental structure and forms no part of the claimed design. The broken line showing a cup in FIG. 9 is included for the purpose of illustrating environmental structure and forms no part of the claimed design.

1 Claim, 9 Drawing Sheets



(58) Field of Classification Search

USPC D7/708, 708.1, 709, 387, 532; D9/430,
 D9/761, 702-704, 710, 721, 740, 741,
 D9/743, 744, 745, 759, 762; D26/9, 11,
 D26/22; D24/197, 199
 CPC A22C 7/00; A45C 11/20; A45C 11/26;
 A45C 2200/20; A45C 2200/05; A45F
 2200/0583; A45F 2003/002; A45F 3/02;
 A45F 3/16; A45F 4/02; A45F 4/00; A45F
 5/10; A45F 5/102; A45F 5/00; A47B
 73/00; A47G 19/2205; A47G 19/30;
 A47G 23/02; A47G 23/0208; A47G
 23/0216; A47G 23/0233; A47G 23/0241;
 A47G 23/0266; A47G 23/0625; A47G
 23/0641; A47G 23/065; A47J 29/06; A47J
 29/00; A47J 29/02; A47J 29/04; A47J
 42/50; A47J 43/28; A47J 43/00; A47J
 43/20; A47J 45/00; A47J 45/06; A47J
 45/066; A47J 45/077; A47J 45/07; A47J
 45/10; A47J 47/02; A47J 47/06; A47J
 47/08; A47J 47/14; B65D 23/3102; B65D
 25/10; B65D 25/28; B65D 25/2817;
 B65D 25/2829; B65D 25/2832; B65D
 25/2879; G65D 51/24; A61J 9/0623

See application file for complete search history.

(56)

References Cited

U.S. PATENT DOCUMENTS

D687,671	S	*	8/2013	Boonprasop	D7/393
D688,100	S	*	8/2013	Lao	D24/197
D707,498	S	*	6/2014	Wilson	D7/622
D710,147	S	*	8/2014	Saxton	D7/393
D717,105	S	*	11/2014	Aslan	D7/393
D725,962	S	*	4/2015	Marzotto	D7/387
D873,621	S	*	1/2020	Egorov	D7/532
10,624,818	B2		4/2020	Harley		
D947,600	S	*	4/2022	Egorov	D7/393
D969,566	S	*	11/2022	Newton	D7/619.1
2010/0213206	A1	*	8/2010	Greene	A47G 23/0216 220/752
2012/0228318	A1		9/2012	Martin		

FOREIGN PATENT DOCUMENTS

CN			307478797	*	8/2022	
CN			307629372	*	11/2022	
WO			WO2020173015	A1	9/2020	

OTHER PUBLICATIONS

Compatible Bottle Handle for Comotomo, <https://www.amazon.com/Compatible-Bottle-Handle-Comotomo-Green/dp/B075TXTG91>.

* cited by examiner

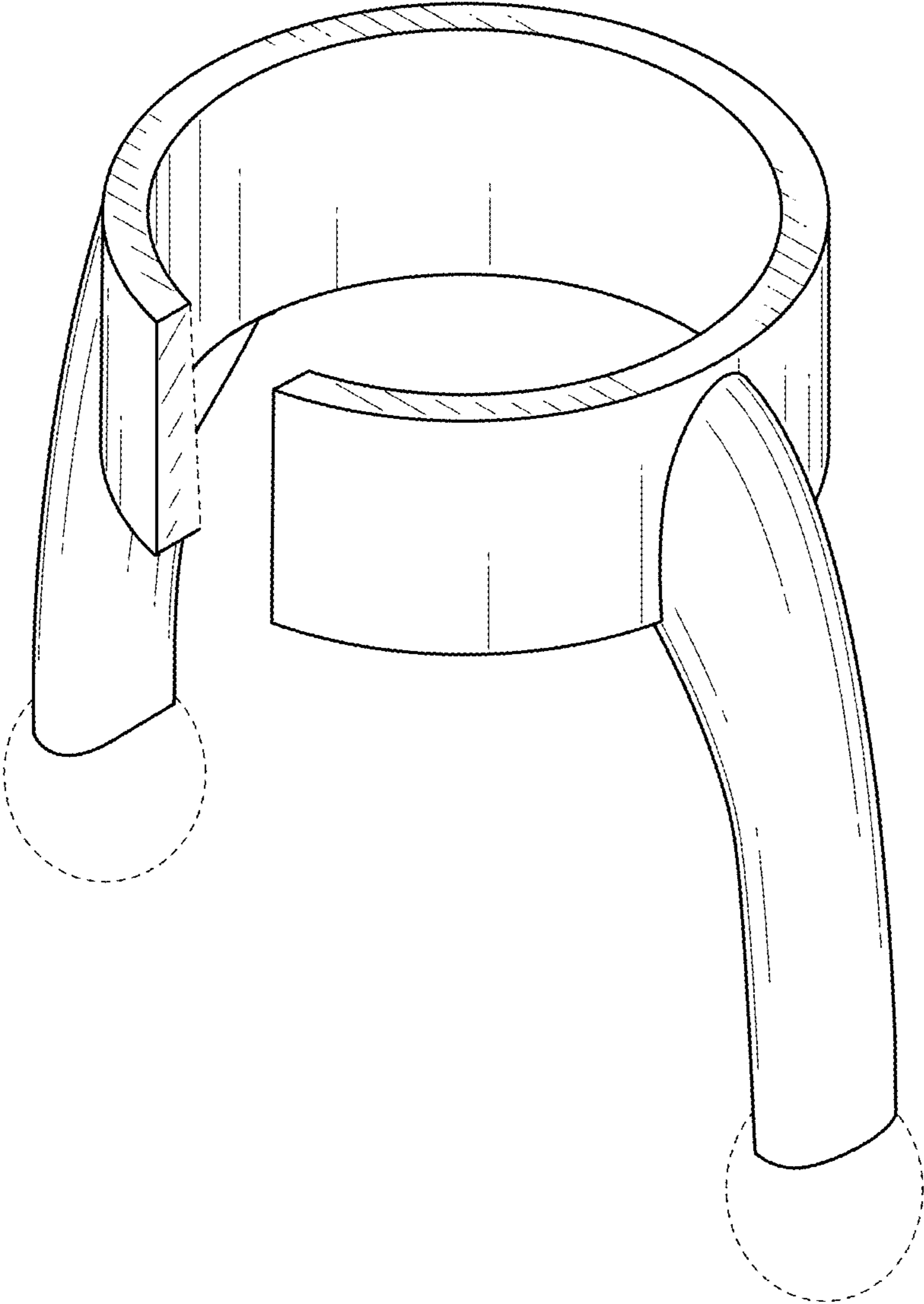


FIG. 1

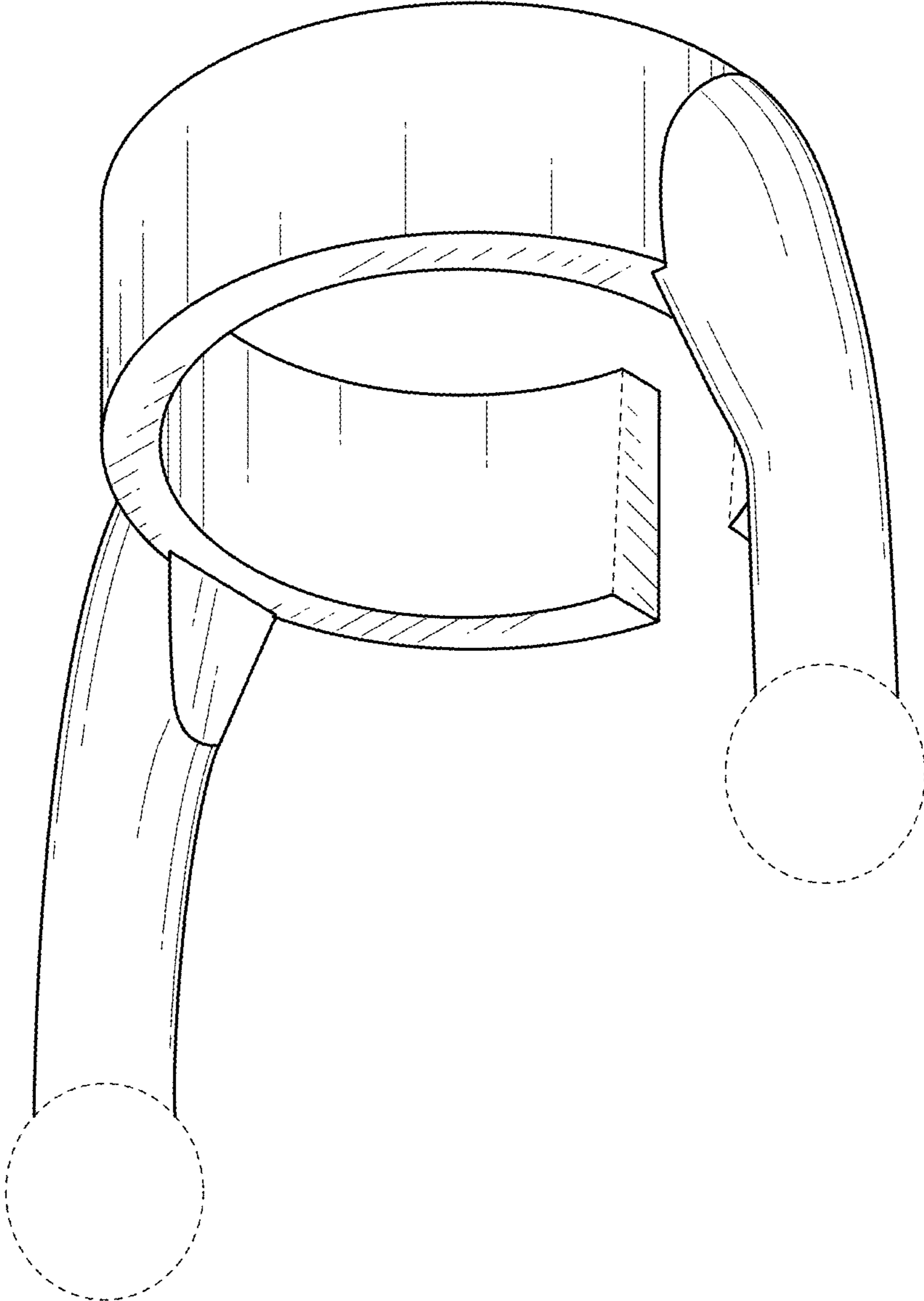


FIG. 2

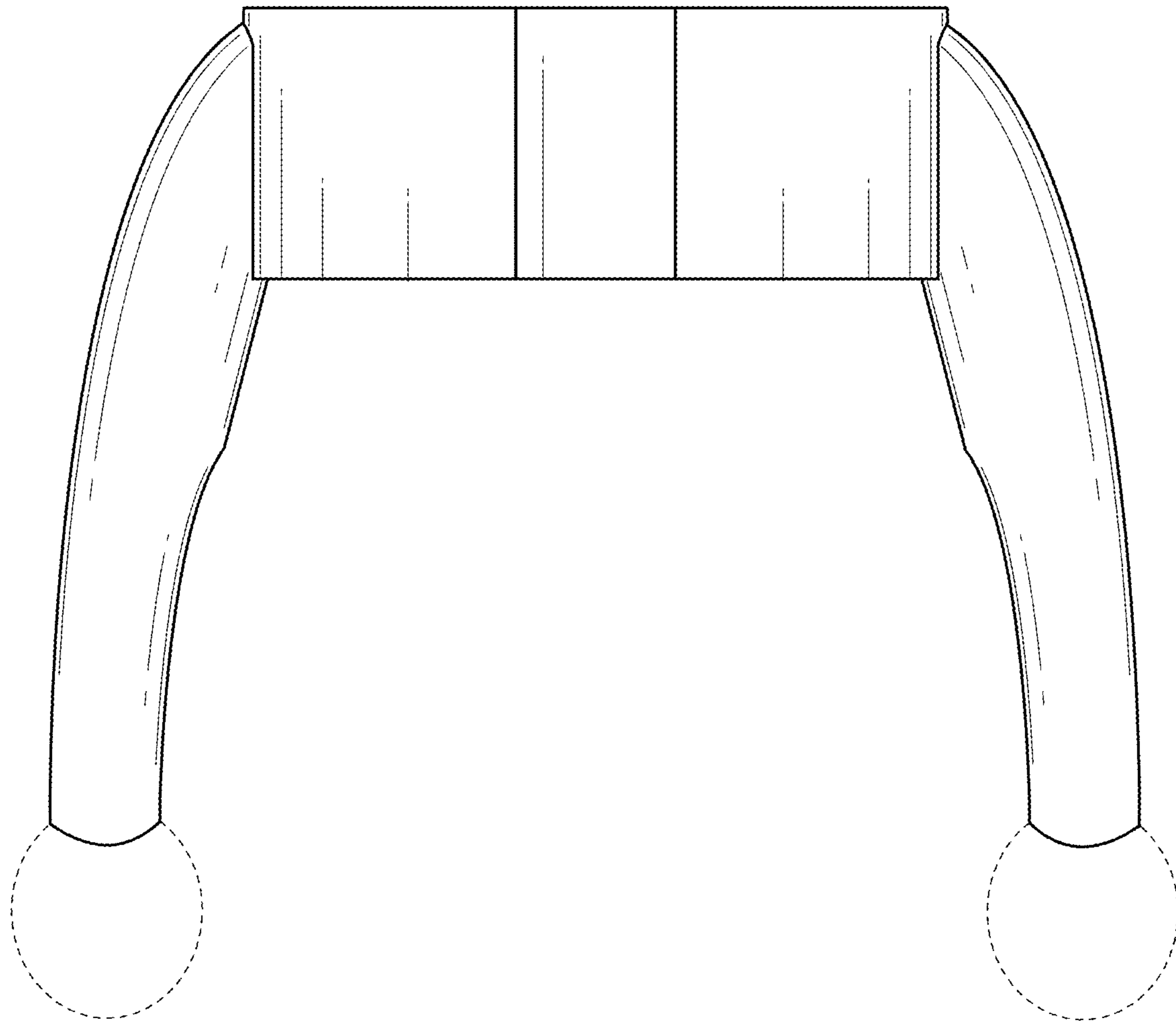


FIG. 3

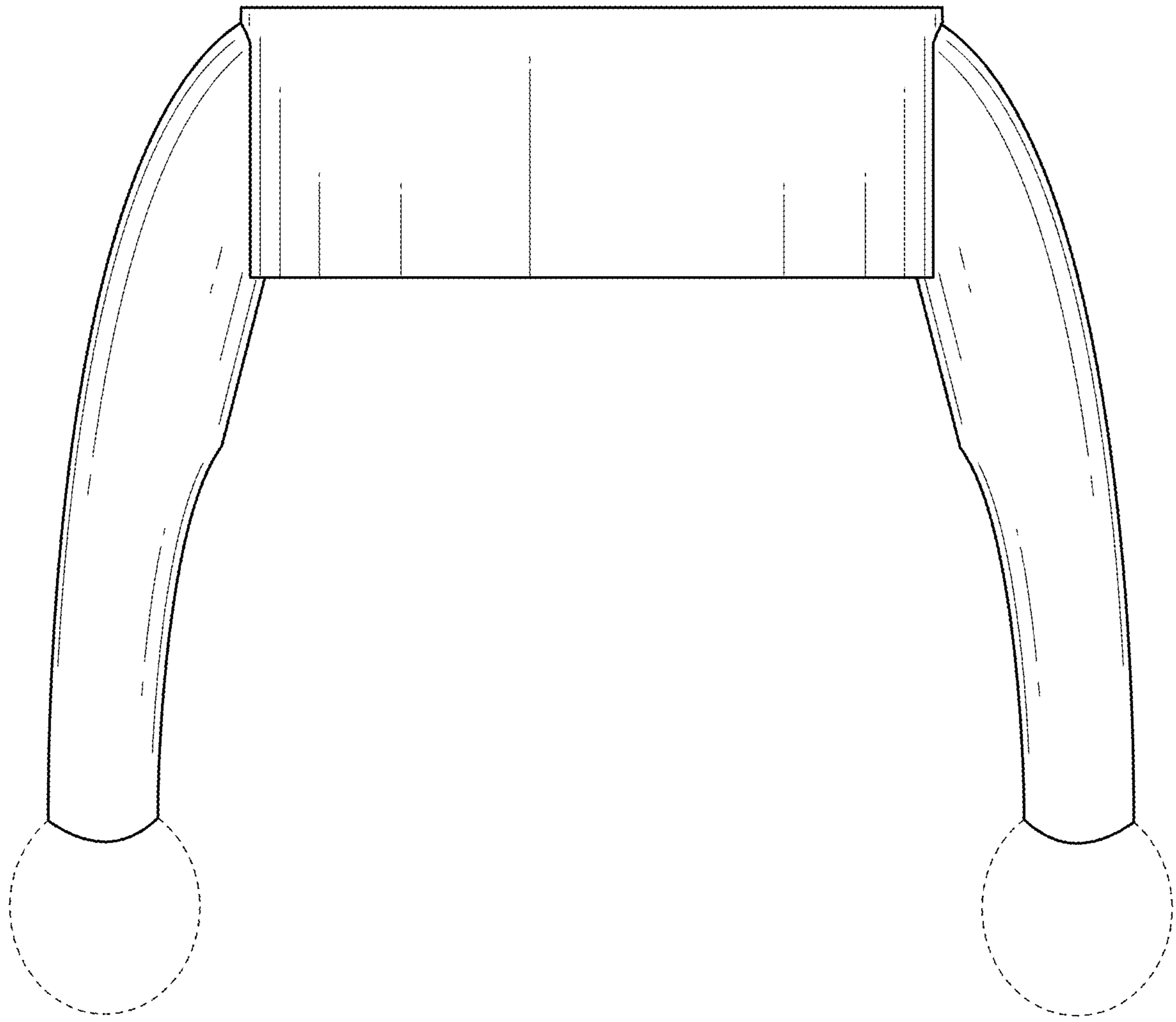


FIG. 4

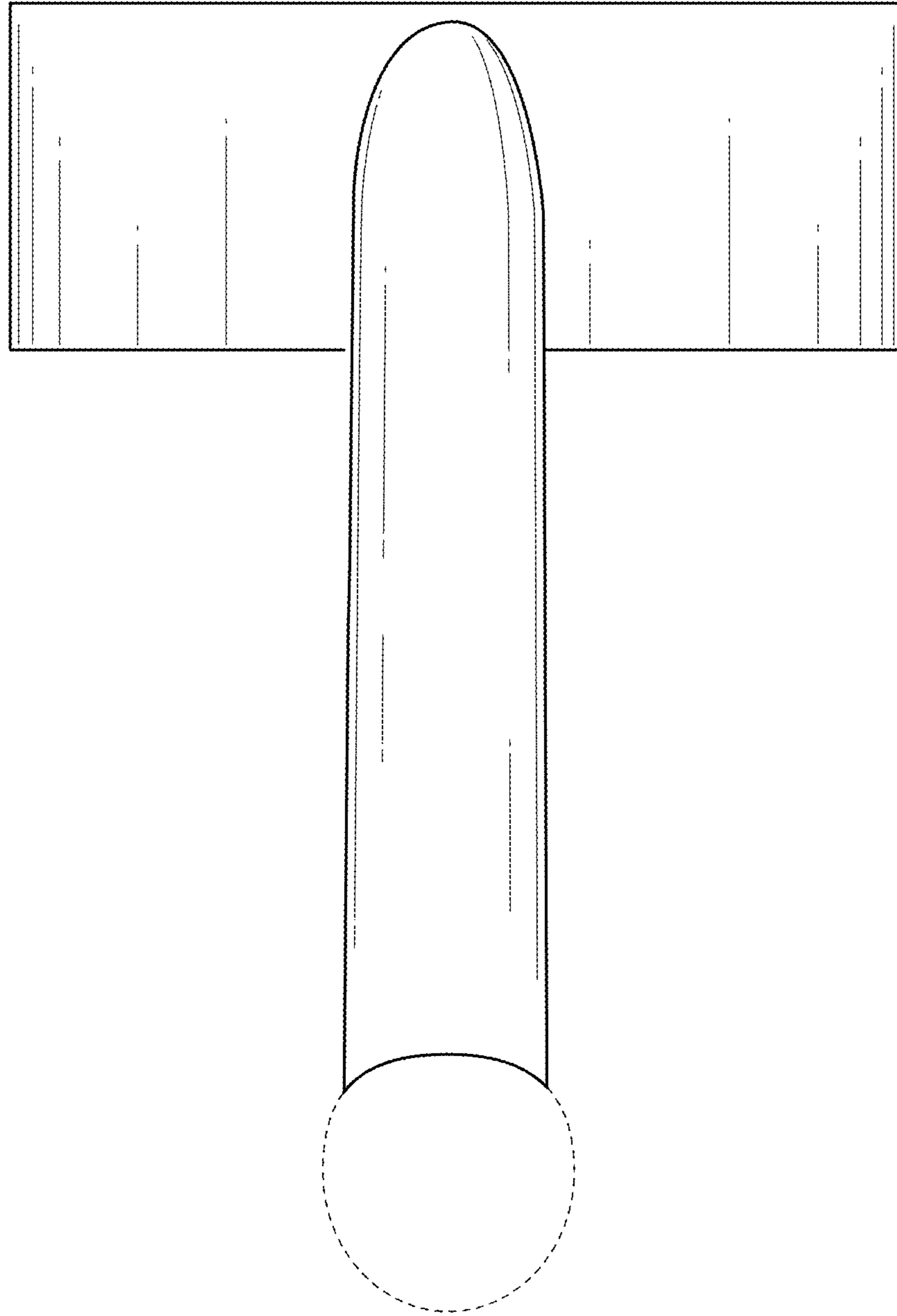


FIG. 5

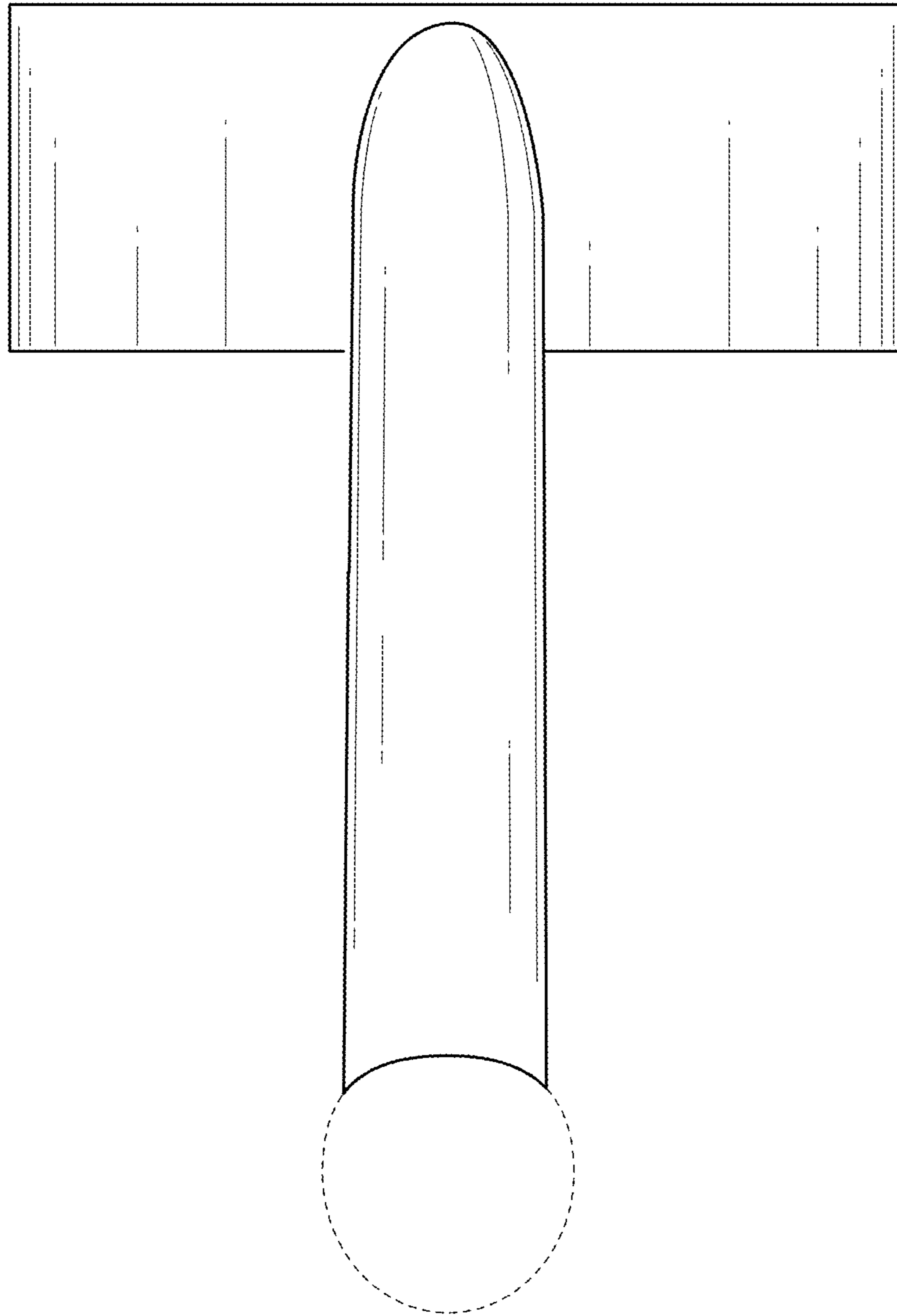


FIG. 6

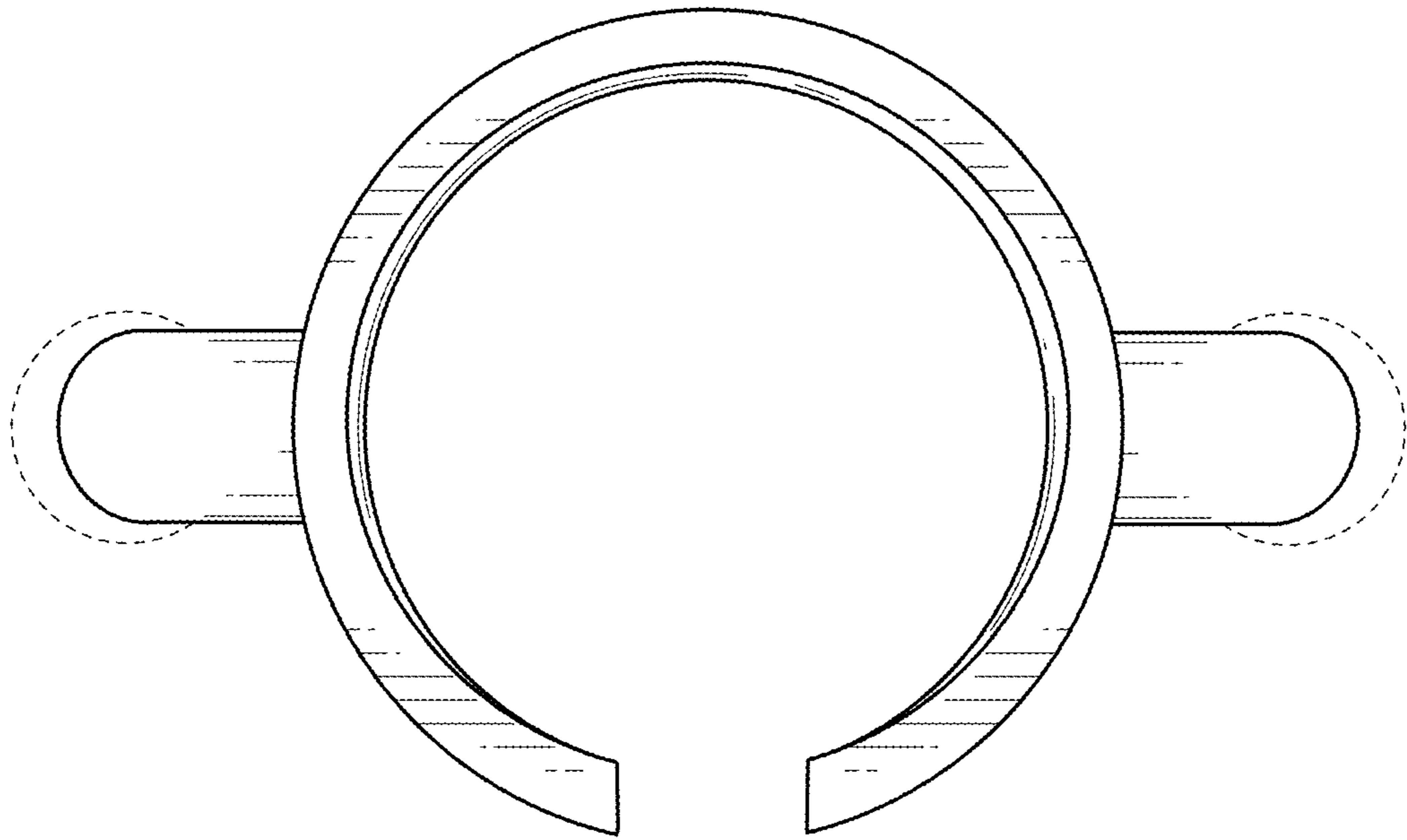


FIG. 7

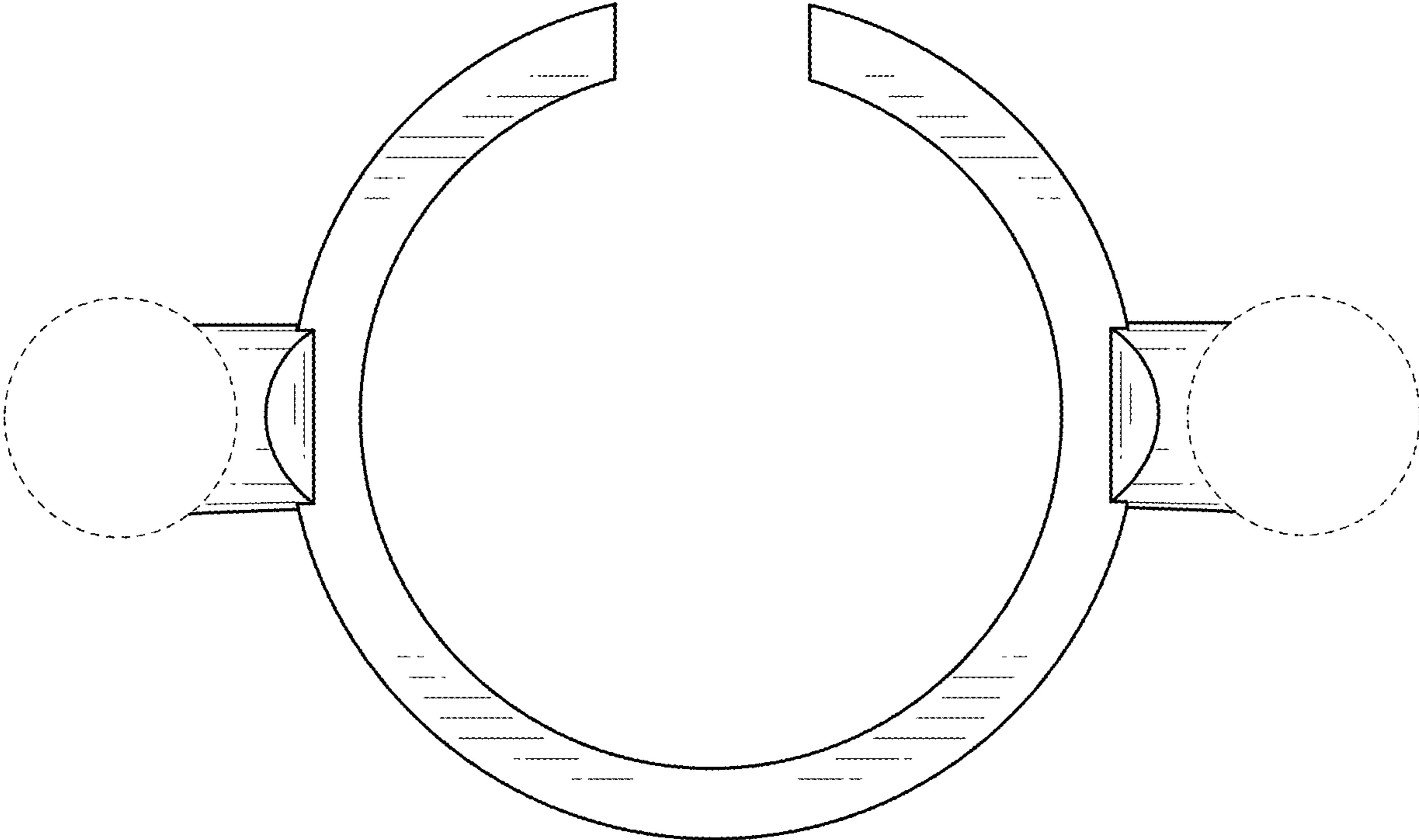


FIG. 8

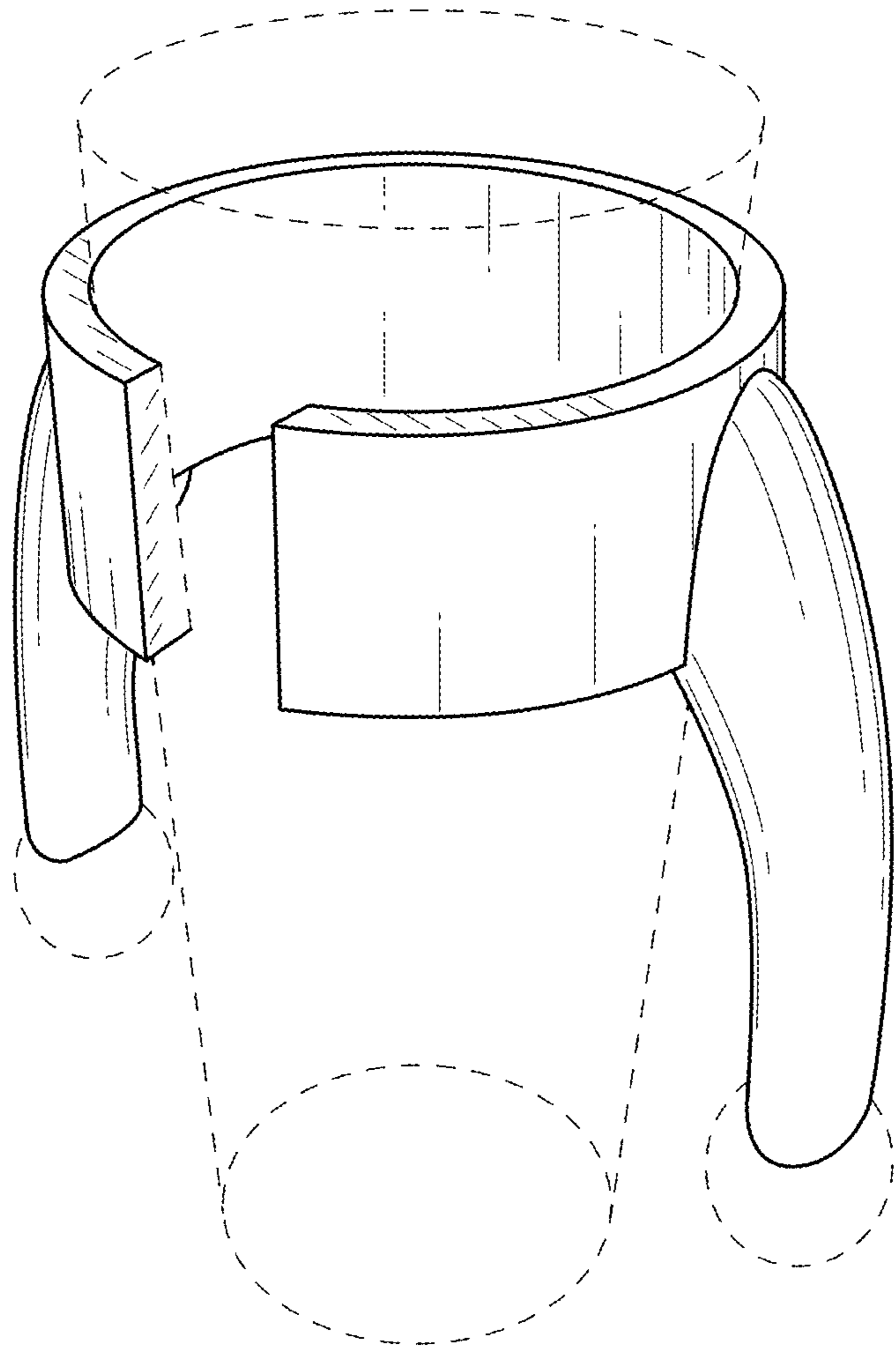


FIG. 9