



US0D1018132S

(12) **United States Design Patent** (10) **Patent No.:** **US D1,018,132 S**
Mason et al. (45) **Date of Patent:** **** Mar. 19, 2024**

(54) **INTERNAL FRAME BACK REST WITH LOUNGE MAT**

4,553,785 A * 11/1985 Duke, Jr. A47C 31/11
297/229

(71) Applicant: **Dick's Sporting Goods, Inc.**,
Coraopolis, PA (US)

4,687,248 A 8/1987 Ross et al.
5,110,219 A 5/1992 Lopes
(Continued)

(72) Inventors: **Landon Mason**, Coraopolis, PA (US);
Craig Francis Hofmann, Pittsburgh,
PA (US); **Chinawut Paesang**,
Sewickley, PA (US)

OTHER PUBLICATIONS

Leinuosen Beach Lounge Chair, posted Jun. 1, 2023 [online],
[retrieved Aug. 7, 2023]. Retrieved from internet, <https://www.amazon.com/dp/B0C6STB2M3/> (Year: 2023).*

(73) Assignee: **Dick's Sporting Goods, Inc.**,
Coraopolis, PA (US)

Primary Examiner — Cynthia Ramirez

Assistant Examiner — Carrie A Matteoli

(**) Term: **15 Years**

(74) *Attorney, Agent, or Firm* — Foley & Lardner LLP

(21) Appl. No.: **29/792,219**

(22) Filed: **Mar. 11, 2022**

(57) **CLAIM**

(51) **LOC (14) Cl.** **06-13**

The ornamental design for an internal frame back rest with lounge mat, as shown and described.

(52) **U.S. Cl.**

USPC **D6/596**

(58) **Field of Classification Search**

USPC D6/333, 349, 355, 375, 388, 512, 563,
D6/564, 582-583, 587-592, 595-609,
D6/611, 617-622, 707, 715, 716, 716.1;
D21/803-809; D24/183-185, 234;
5/401, 420, 600, 630, 631, 632, 633, 635,
5/636, 638, 639, 646, 652, 652.1, 655,
5/703, 730; 297/1, 2, 4, 93, 180.11,
297/195.1, 195.11, 195, 393, 397, 452.12,
297/452.14, 452.15, 452.21, 452.24,
297/452.26, 452.48, 452.62, 482
CPC A47G 9/10; A47G 9/1009; A47G 9/1027;
A47G 9/1045; A47G 9/1063; A47G
9/1072; A47G 9/1081

DESCRIPTION

FIG. 1 is a front, top, right side perspective view of an internal frame back rest with lounge mat according to the present disclosure.
FIG. 2 is a top view of the internal frame back rest with lounge mat of FIG. 1.
FIG. 3 is a bottom view of the internal frame back rest with lounge mat of FIG. 1.
FIG. 4 is a right side view of the internal frame back rest with lounge mat of FIG. 1.
FIG. 5 is a left side view of the internal frame back rest with lounge mat of FIG. 1.
FIG. 6 is a back view of the internal frame back rest with lounge mat of FIG. 1; and,
FIG. 7 is a front view of the internal frame back rest with lounge mat of FIG. 1.
The broken lines in the Figures illustrate portions of the article that form no part of the claimed design.

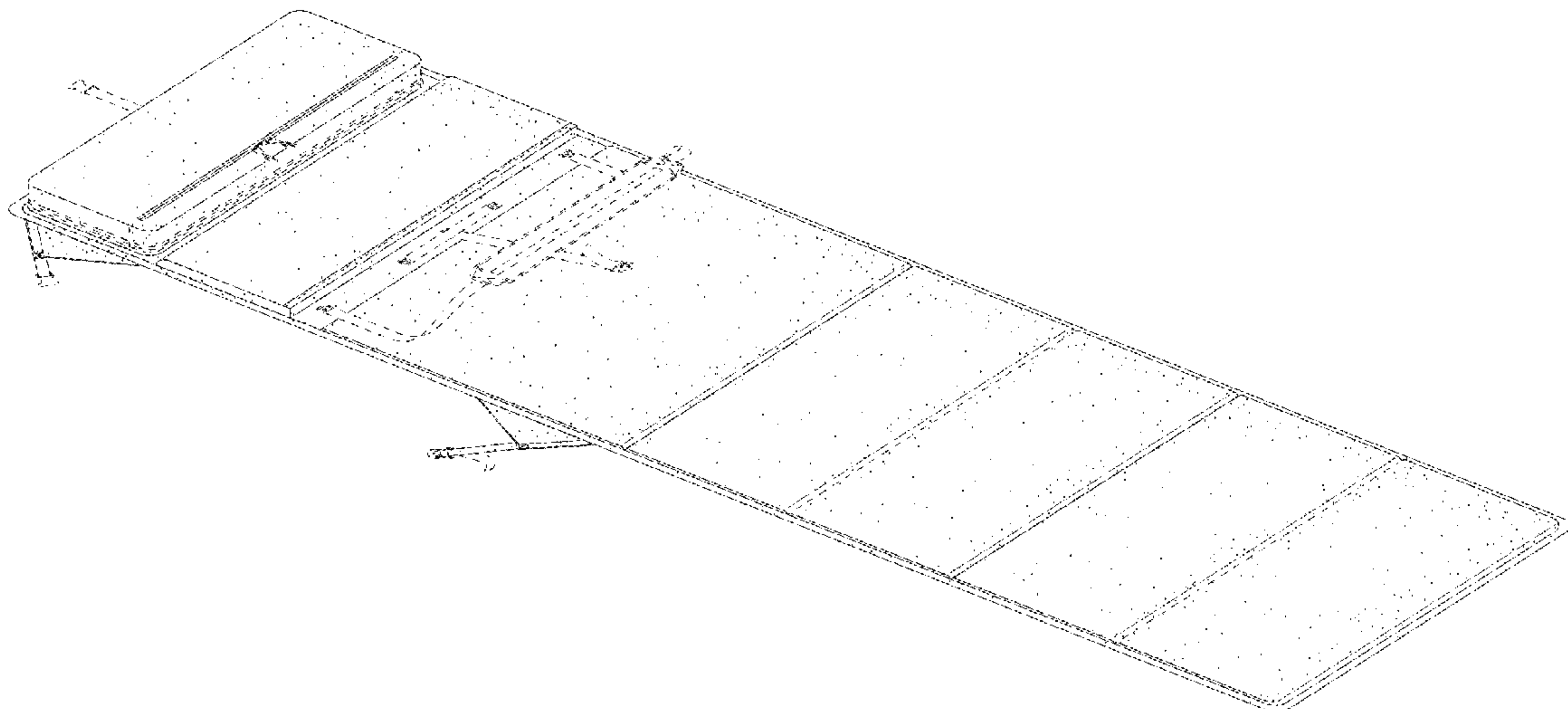
See application file for complete search history.

(56) **References Cited**

U.S. PATENT DOCUMENTS

1,640,743 A * 8/1927 Yuhasz A47C 17/64
5/636
4,516,668 A 5/1985 Grayek

1 Claim, 6 Drawing Sheets



(56)

References Cited

U.S. PATENT DOCUMENTS

5,384,923	A *	1/1995	Hwang	A47C 3/16	9,095,234	B2	8/2015	Lee et al.
					5/419	9,102,127	B2	8/2015	Berkowitz et al.
5,425,567	A *	6/1995	Albecker, III	A47C 1/146	9,173,493	B1	11/2015	Fulton et al.
					297/452.29	9,185,983	B1 *	11/2015	Cohen A47C 4/46
5,439,405	A	8/1995	Storey et al.			D762,399	S	8/2016	Sorrick et al.
D374,789	S *	10/1996	Kalista	D6/596	9,402,489	B2	8/2016	Clearman
5,863,088	A *	1/1999	Kelly, Sr.	A45F 4/02	D776,459	S	1/2017	Ibarra
					294/146	9,808,087	B1	11/2017	Ghazal
D405,261	S	2/1999	Lo			10,085,574	B2	10/2018	Kuhlmeier
6,062,930	A *	5/2000	Smith	A47C 15/006	10,342,321	B1	7/2019	Le
					441/125	10,463,178	B2	11/2019	Coffey
6,250,712	B1 *	6/2001	Livington	A47C 1/146	2005/0125894	A1 *	6/2005	Bandak A47G 9/062
					5/632				5/418
7,191,925	B2	3/2007	Aris et al.			2009/0322129	A1 *	12/2009	Rodill A47C 31/11
7,621,005	B1	11/2009	Harvey						297/229
7,661,160	B1	2/2010	Adams			2010/0237667	A1	9/2010	Guy et al.
8,578,526	B1	11/2013	Rosso			2014/0101848	A1	4/2014	Murphy
						2018/0360240	A1	12/2018	Chiang
						2020/0022511	A1	1/2020	Gallegos
						2020/0239114	A1	7/2020	De Grasse

* cited by examiner

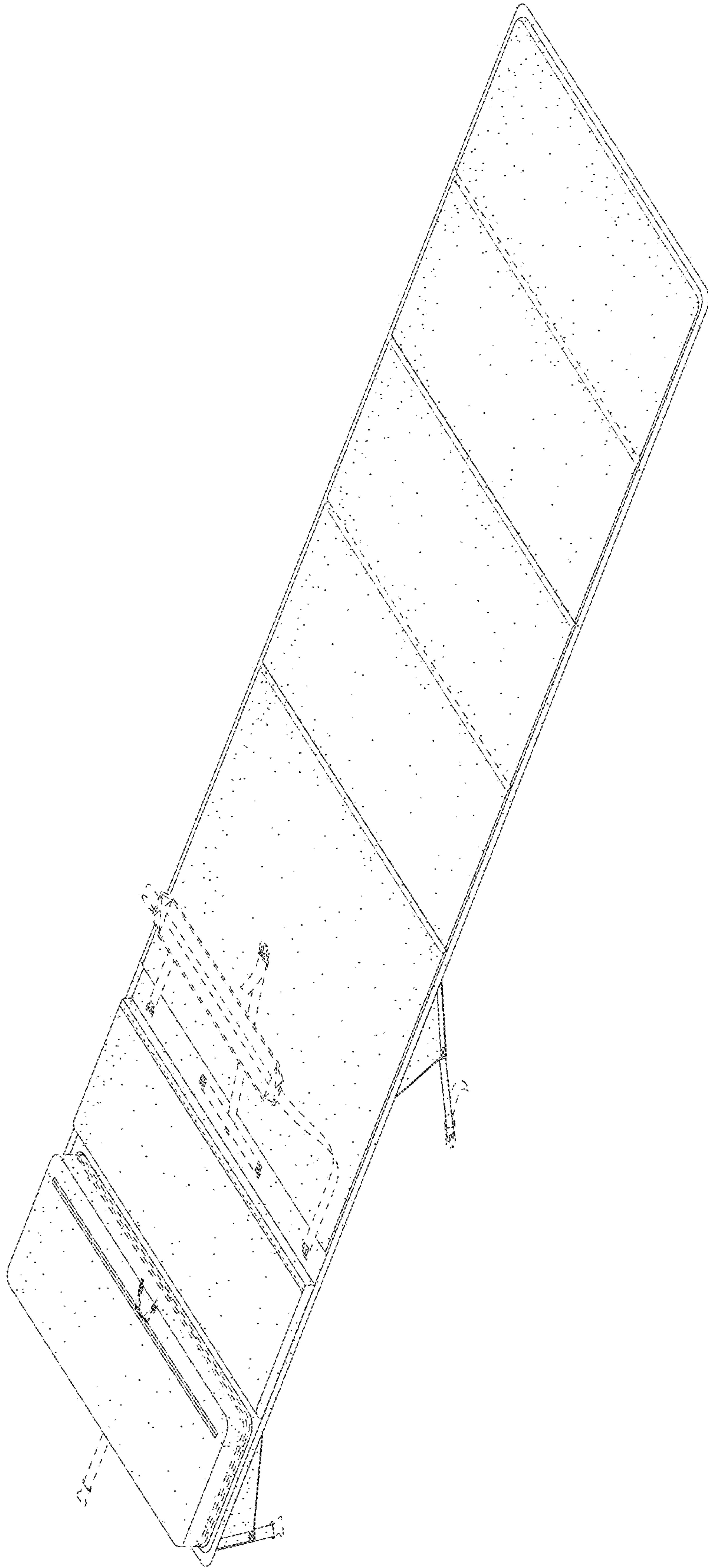


FIG. 1

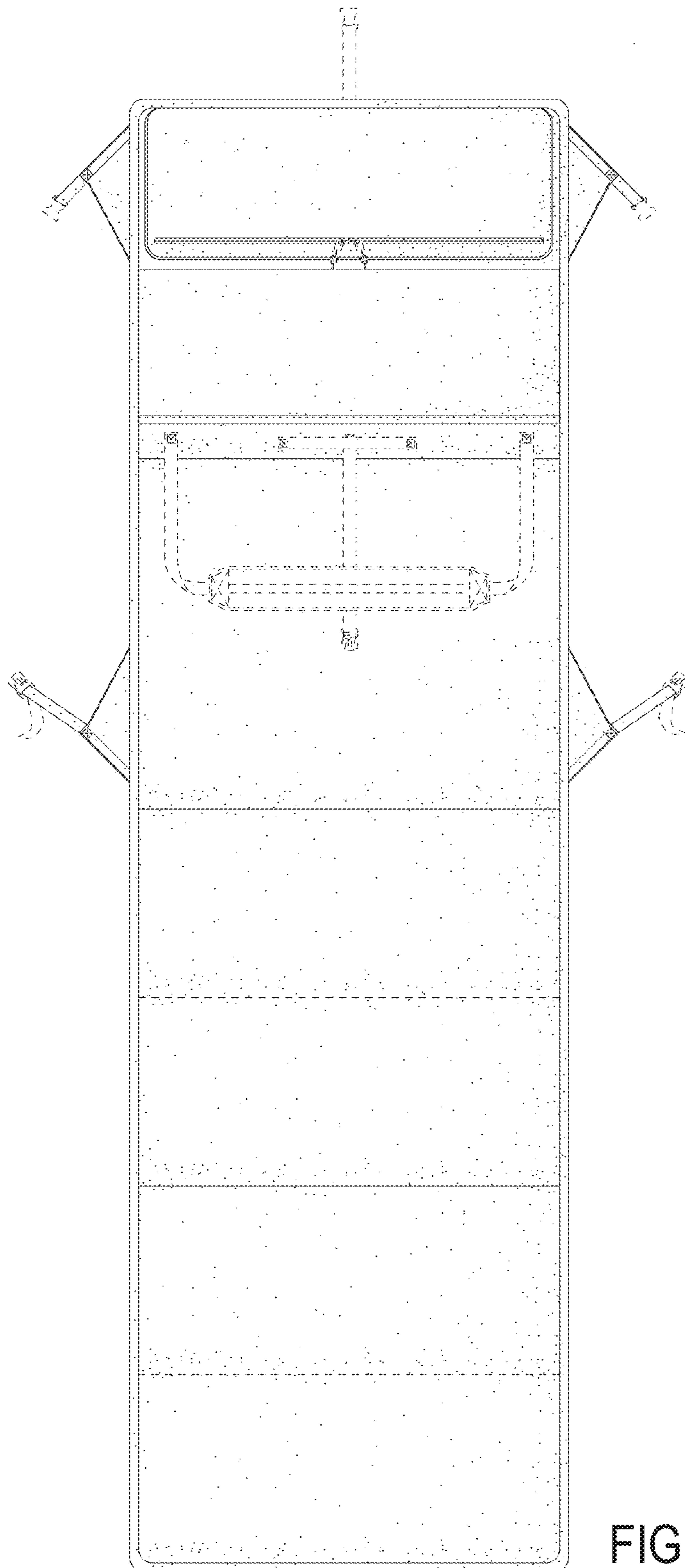


FIG. 2

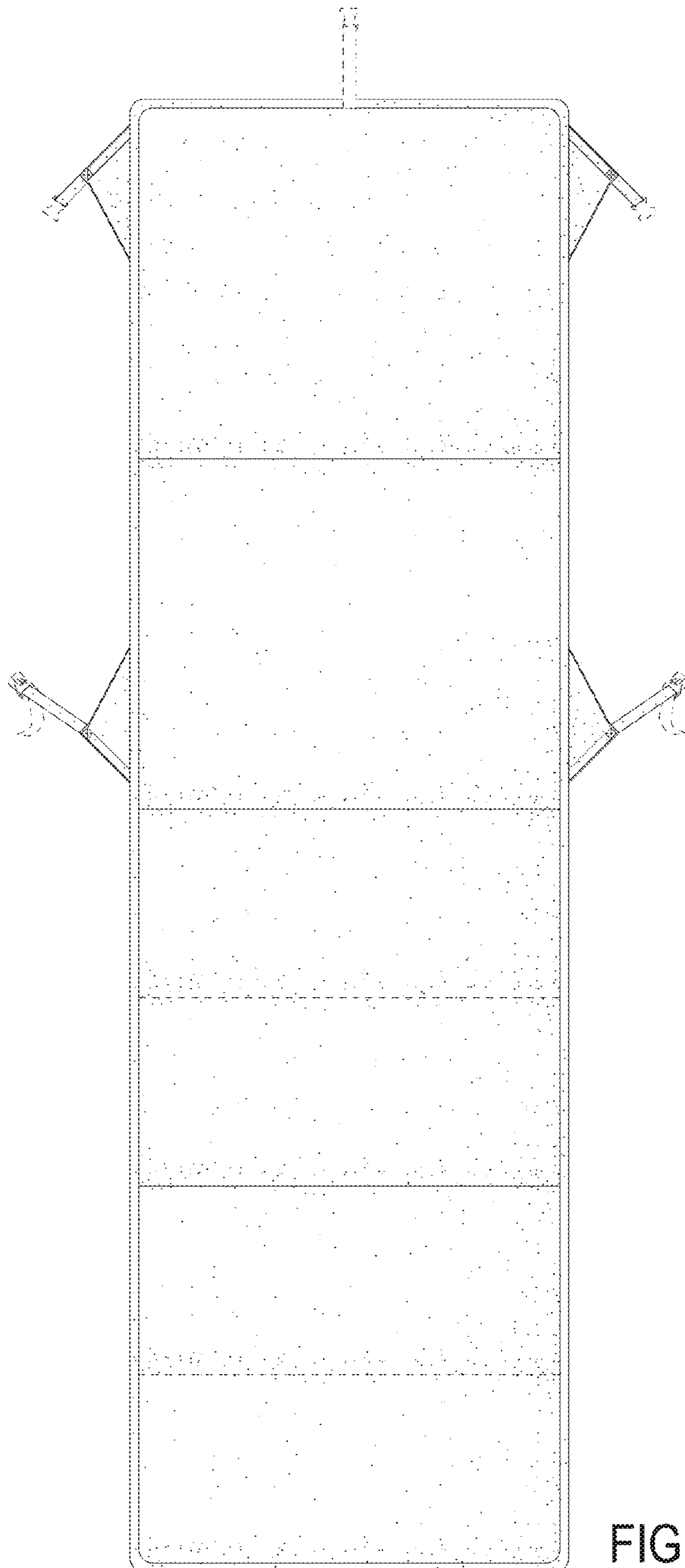


FIG. 3

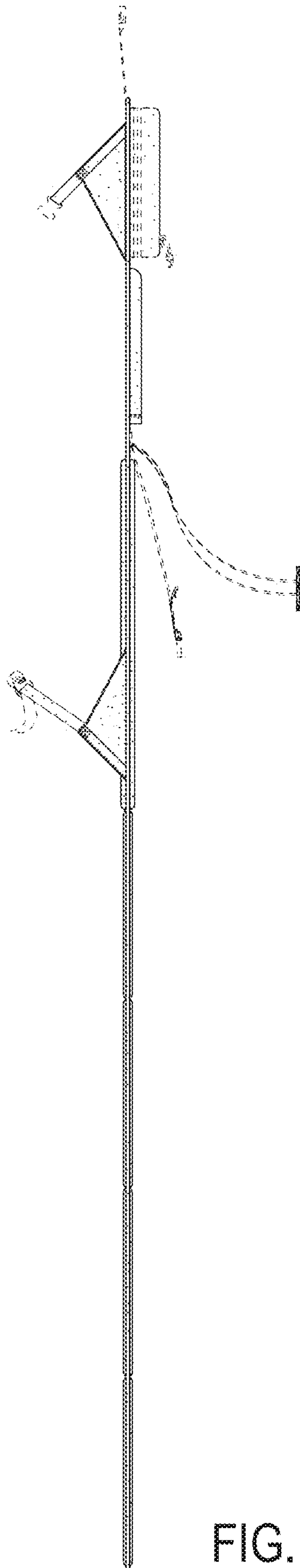


FIG. 4

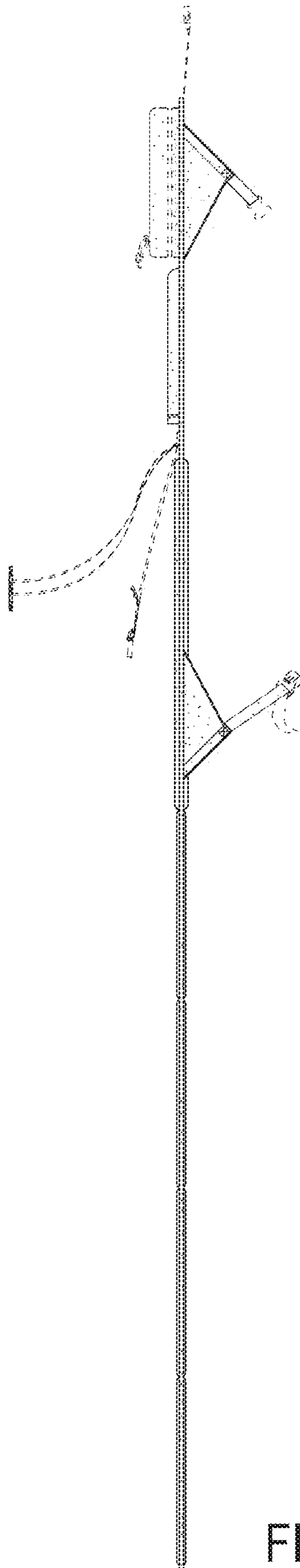


FIG. 5

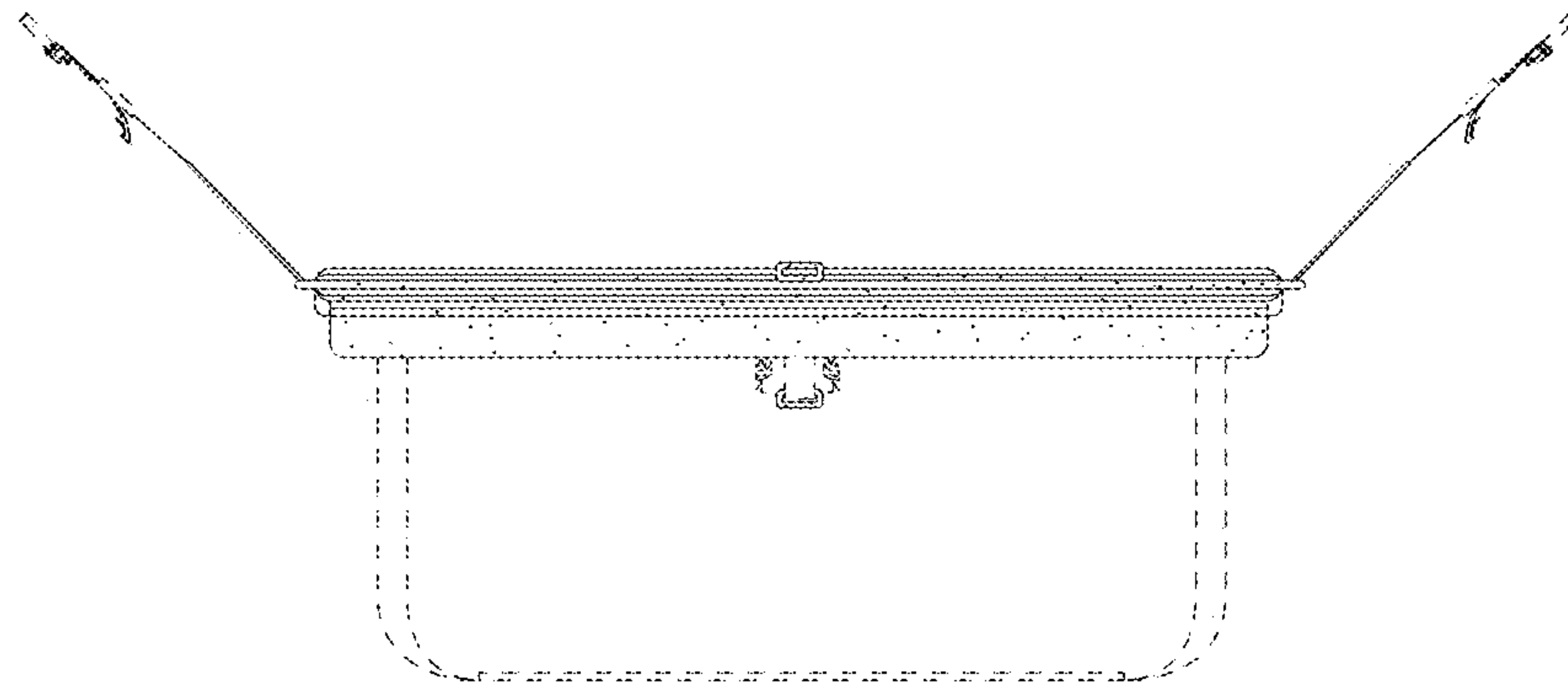


FIG. 6

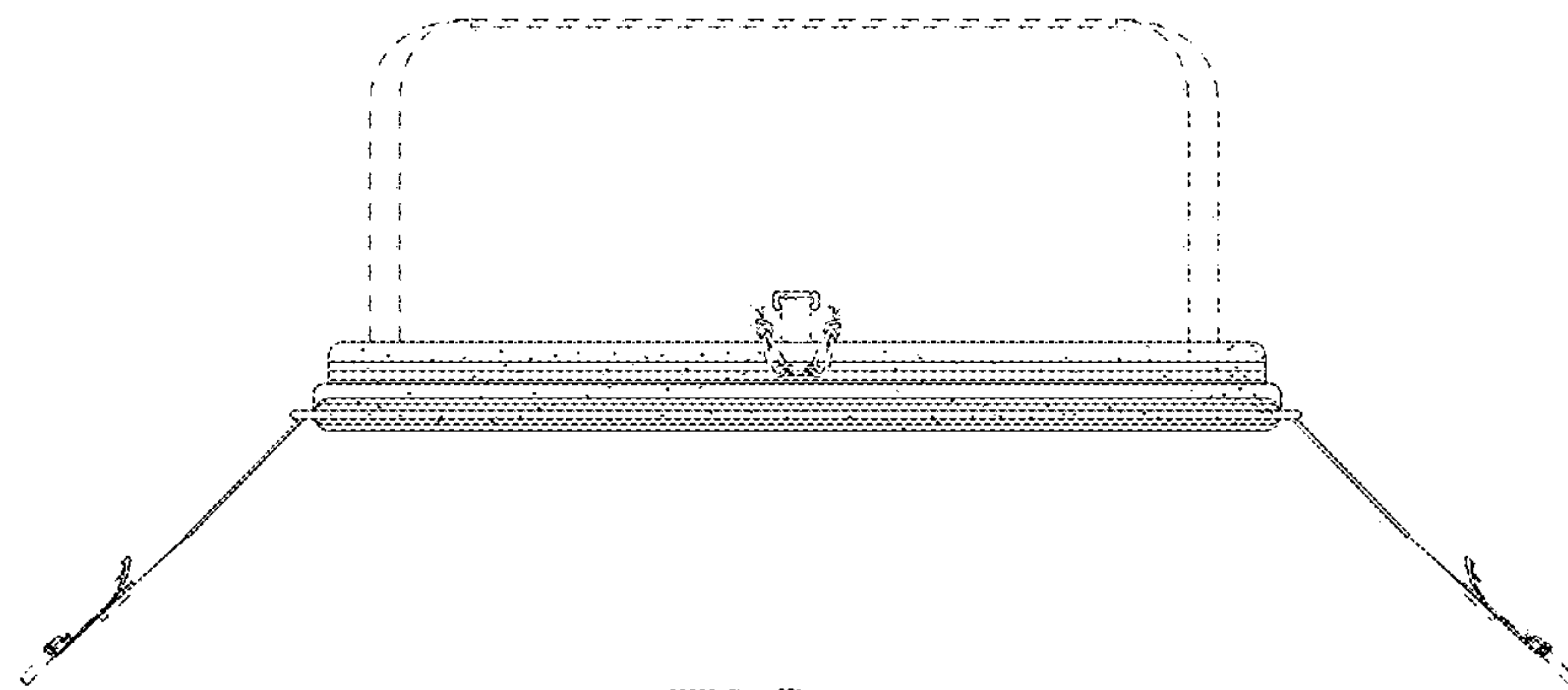


FIG. 7