



US0D1018086S

(12) **United States Design Patent**
Plumstead

(10) **Patent No.:** **US D1,018,086 S**

(45) **Date of Patent:** **** Mar. 19, 2024**

(54) **STOOL**

(71) Applicant: **LANDSCAPE FORMS, INC.**,
Kalamazoo, MI (US)

(72) Inventor: **Matthew Plumstead**, St. Paul, MN
(US)

(73) Assignee: **LANDSCAPE FORMS, INC.**,
Kalamazoo, MI (US)

(**) Term: **15 Years**

(21) Appl. No.: **29/792,478**

(22) Filed: **Mar. 31, 2022**

(51) **LOC (14) Cl.** **06-01**

(52) **U.S. Cl.**
USPC **D6/349**; D6/691

(58) **Field of Classification Search**
USPC D6/335, 349, 350, 351, 353, 368, 691.1,
D6/691.6, 691, 352, 360, 675, 690, 691.8,
(Continued)

(56) **References Cited**

U.S. PATENT DOCUMENTS

D106,780 S * 11/1937 Bentz D6/692
D121,826 S * 8/1940 Wray D6/350
(Continued)

OTHER PUBLICATIONS

JPA Bar Height Stool, available in 2modern.com, earliest available date Jul. 31, 2015 [online], Retrieved on Sep. 6, 2023 from URL: <https://www.2modern.com/products/jpa-bar-height-stool?variant=659784357> (Year: 2015).*

(Continued)

Primary Examiner — Vy N Koenig
Assistant Examiner — Michelle M Reeves

(74) *Attorney, Agent, or Firm* — Heslin Rothenberg
Farley & Mesiti P.C.

(57) **CLAIM**

The ornamental design for a stool, as shown and described.

DESCRIPTION

This application is related to commonly assigned, co-filed U.S. design patent application Ser. No. 29/792,477, filed on Mar. 31, 2022, by Matthew Plumstead entitled “Seat”; commonly assigned, co-filed U.S. design patent application Ser. No. 29/792,479, filed on Mar. 31, 2022, by Matthew Plumstead, entitled “Bench”; commonly assigned, co-filed U.S. design patent application Ser. No. 29/792,480, filed on Mar. 31, 2022 by Matthew Plumstead, entitled “Table”; and commonly assigned, co-filed U.S. design patent application Ser. No. 29/792,481, filed on Mar. 31, 2022, by Matthew Plumstead, entitled “Table”; commonly assigned, co-filed U.S. design patent application Ser. No. 29/792,482, filed on Mar. 31, 2022, by Matthew Plumstead, entitled “Seat”; and commonly assigned, co-filed U.S. design patent application Ser. No. 29/792,483, filed on Mar. 31, 2022, by Matthew Plumstead, entitled “Table”, which applications are incorporated herein by reference in their entireties.

FIG. 1 is a front left perspective view from above of a stool according to the new design;

FIG. 2 is a rear right perspective view from below thereof;

FIG. 3 is a front elevational view thereof;

FIG. 4 is a left side elevational view thereof;

FIG. 5 is a right side elevational view thereof;

FIG. 6 is a rear elevational view thereof;

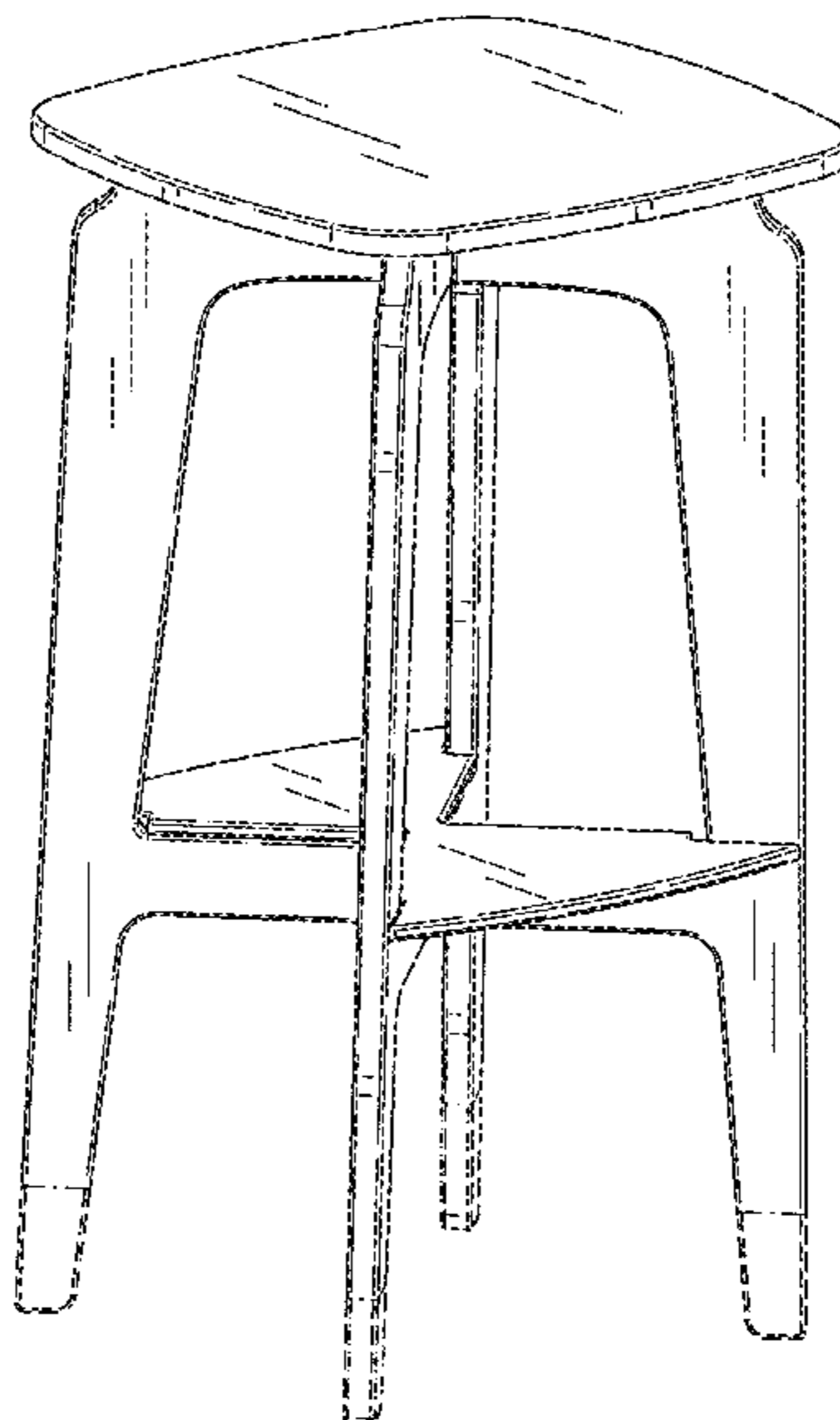
FIG. 7 is a top view thereof; and,

FIG. 8 is a bottom view thereof.

The evenly dashed broken lines in the drawings illustrate portions of the stool that form no part of the claimed design.

The long dash-dot lines in the drawings represent a boundary of the claimed design and the lines themselves form no part of the claimed design.

1 Claim, 8 Drawing Sheets



(58) **Field of Classification Search**

USPC D6/708; D25/64, 65; D23/296, 303,
D23/309, 311; D21/671
CPC E06C 1/393; A47C 12/02; A47C 12/00;
A47C 16/02; A47C 5/06; A47K 11/04;
A47K 3/282; E04C 5/20

See application file for complete search history.

(56) **References Cited**

U.S. PATENT DOCUMENTS

D132,875 S	6/1942	Cooper	
2,614,013 A	10/1952	Langius	
D179,868 S	3/1957	Trautvetter	
D200,584 S	3/1965	Krone	
D212,623 S *	11/1968	Rubenstein	D6/690
D239,352 S *	3/1976	Petrick	D34/21
D239,584 S	4/1976	Vrignaud	
D240,871 S *	8/1976	Herman	D6/692.6
D250,313 S *	11/1978	Miller	D6/691.8
D286,836 S	11/1986	Ginouves	
4,682,461 A *	7/1987	Sizemore	E04C 5/20 52/677
D312,736 S	12/1990	Grosfillex	
D327,592 S	7/1992	Kerem	
D334,312 S	3/1993	Glass	
D346,704 S	5/1994	Grosfillex	
D355,316 S	2/1995	Kellen	
D359,638 S *	6/1995	Goldstein	D6/349
D367,563 S	3/1996	Murken	
D412,255 S	7/1999	Lewis	
D424,123 S *	5/2000	Henriksen	D6/349
D495,504 S *	9/2004	Sorkin	D6/349
D503,298 S	3/2005	Juneau	
D529,733 S	10/2006	Domack et al.	
D620,288 S	7/2010	Stiker Metral	
D710,135 S	8/2014	Rasenberg et al.	
D716,569 S *	11/2014	Werner	D6/349
D762,405 S *	8/2016	Werner	D6/692
D792,134 S	7/2017	Bougay	
D806,413 S	1/2018	Zinger	
D811,761 S *	3/2018	Morrison	D6/352
D910,352 S	2/2021	Lemay	
D946,325 S	3/2022	Inouye et al.	
D992,319 S *	7/2023	Halpern	D6/692
2014/0283716 A1	9/2014	Miller et al.	

OTHER PUBLICATIONS

TOD by True Design, available in archiproducts.com, Manufacture Year 2018 [online], Retrieved on Sep. 6, 2023 from URL: https://www.archiproducts.com/en/products/true-design/high-solid-wood-stool-tod-high-stool_340208 (Year: 2018).*

Matthew Plumstead, Design U.S. Appl. No. 29/792,477, filed Mar. 31, 2022, entitled "Seat".

Matthew Plumstead, Design U.S. Appl. No. 29/792,479, filed Mar. 31, 2022, entitled "Bench".

Matthew Plumstead, Design U.S. Appl. No. 29/792,480, filed Mar. 31, 2022, entitled "Table".

Matthew Plumstead, Design U.S. Appl. No. 29/792,481, filed Mar. 31, 2022, entitled "Table".

Matthew Plumstead, Design U.S. Appl. No. 29/792,482, filed Mar. 31, 2022, entitled "Seat".

Matthew Plumstead, Design U.S. Appl. No. 29/792,483, filed Mar. 31, 2022, entitled "Table".

Jeffrey Taly, design U.S. Appl. No. 29/792,660, filed Apr. 14, 2022, entitled "Table".

Jeffrey Taly, design U.S. Appl. No. 29/792,661, filed Apr. 14, 2022, entitled "Seat".

Jeffrey Taly, design U.S. Appl. No. 29/792,662, filed Apr. 14, 2022, entitled "Furniture".

Jeffrey Taly, design U.S. Appl. No. 29/792,659, filed Apr. 14, 2022, entitled "Planter".

Loll Designs, Alfresco Square Table (36 inch), available in lolldesigns.com, Google date Jun. 24, 2015 [online], [site visited Jul. 20, 2023], Available from the internet URL: <https://lolldesigns.com/products/alfresco-square-patio-table-36?variant=32930246164620>, 1 page (Year: 2015).

Loll Designs, Alfresco Round Table (44 inch), available in lolldesigns.com, Google date Aug. 1, 2017 [online], [site visited Jul. 20, 2023], Available from the internet URL: https://www.google.com/search?q=Alfresco+Round+Table+%2844+inch%29&rlz=1_C1GCEA_enUS1025US1025&biw=1920&bih=1099&tbs=cdr%3A1%2Ccd_min%3A,1, 1 page (Year: 2017).

Great Deal Furniture, Great Deal Furniture Caleb Indoor Square Acacia Wood Dining Table, Gray, available in Amazon.com, date first available Aug. 14, 2014 [online], [site visited], Available from the internet URL: <https://www.amazon.com/Caleb-Indoor-Square-Acacia-Dining/dp/B07GDYC4MX?source=ps-sl-shopping>, 1 page (Year: 2014).

Crate and Barrel, Pratico Grey Extension Square Dining Table, available in Amazon.com, customer review date Jul. 20, 2021 [online], [site visited], Available from the internet URL: <https://www.crateandbarrel.com/pratico-grey-extension-square-dining-table/s312529?localedetail=US&srsrltid=ASuE1wSU8vNJTrF0,1>, 1 page (Year: 2021).

Mistana, Accomac Outdoor Side Table (Set of 2), available in Wayfair.com, customer review date Sep. 6, 2021 [online], [site visited Jul. 18, 2023], Available from the internet URL: <https://www.wayfair.com/outdoor/pdp/mistana-accomac-plastic-side-table-rdbs3333.html?piid=17283545>, 1 page (Year: 2021).

Carver, Square Dining Table, available in Gloster.com, Google date Mar. 19, 2019 [online], [site visited Jul. 20, 2023], Available from the internet URL: <https://www.gloster.com/en-us/products/collections/carver/carver-square-dining-table-1940>, 1 page (Year: 2019).

Loll Designs, Alfresco Bench 22", available in molecule-design-online.com, Google date Sep. 1, 2019 [online], [site visited Jul. 20, 2023], Available from the internet URL: <https://www.molecule-design-online.com/products/alfresco-bench-22>, 1 page (Year: 2019).

Compamia, Box Resin Patio Coffee Table in Orange, Commercial Grade, available in Amazon.com, date first available Dec. 13, 2014 [online], [site visited Jul. 18, 2023], Available from the internet URL: amazon.com/Compamia-Resin-Outdoor-Center-Orange/dp/B00QYXP41W/ref=d_hc_ssr_dpx_vcr_scll_2_7/138-2498421, 1 page (Year: 2014).

Matthew Plumstead, First Office Action for Design U.S. Appl. No. 29/792,483 dated Nov. 3, 2023, 7 pages.

Matthew Plumstead, First Office Action for Design U.S. Appl. No. 29/792,481 dated Nov. 3, 2023, 6 pages.

Matthew Plumstead, First Office Action for Design U.S. Appl. No. 29/792,480 dated Nov. 3, 2023, 6 pages.

* cited by examiner

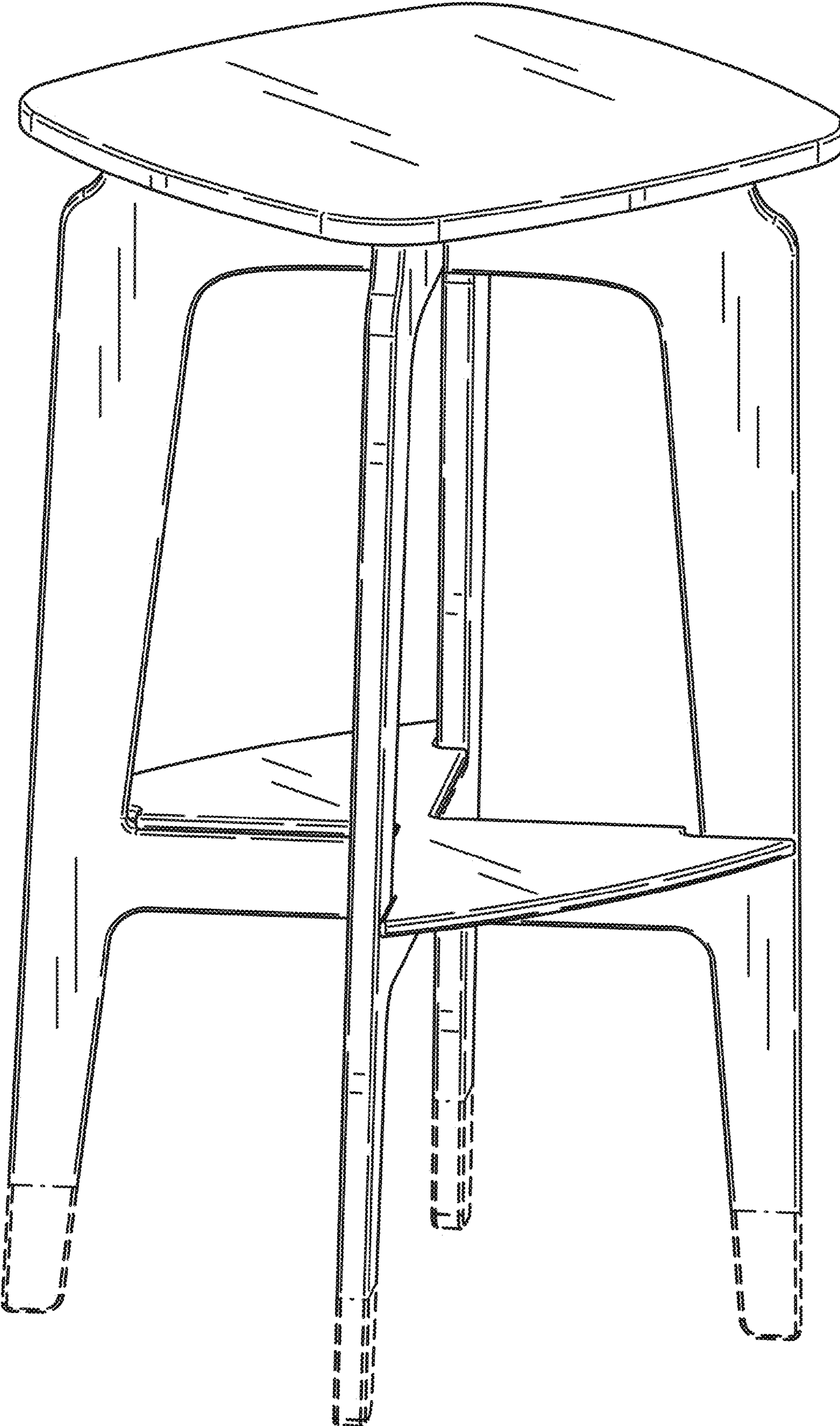


FIG. 1

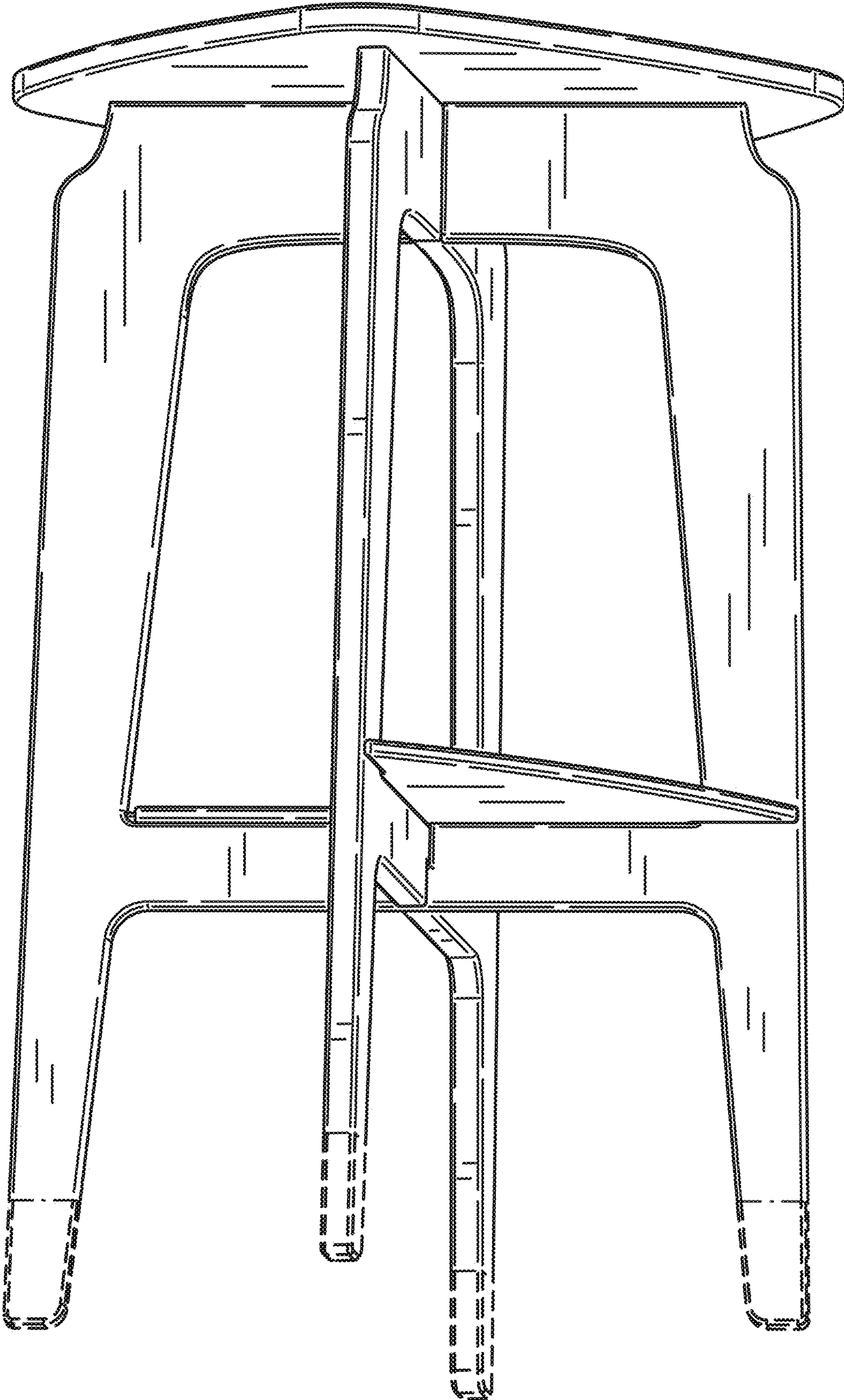


FIG. 2

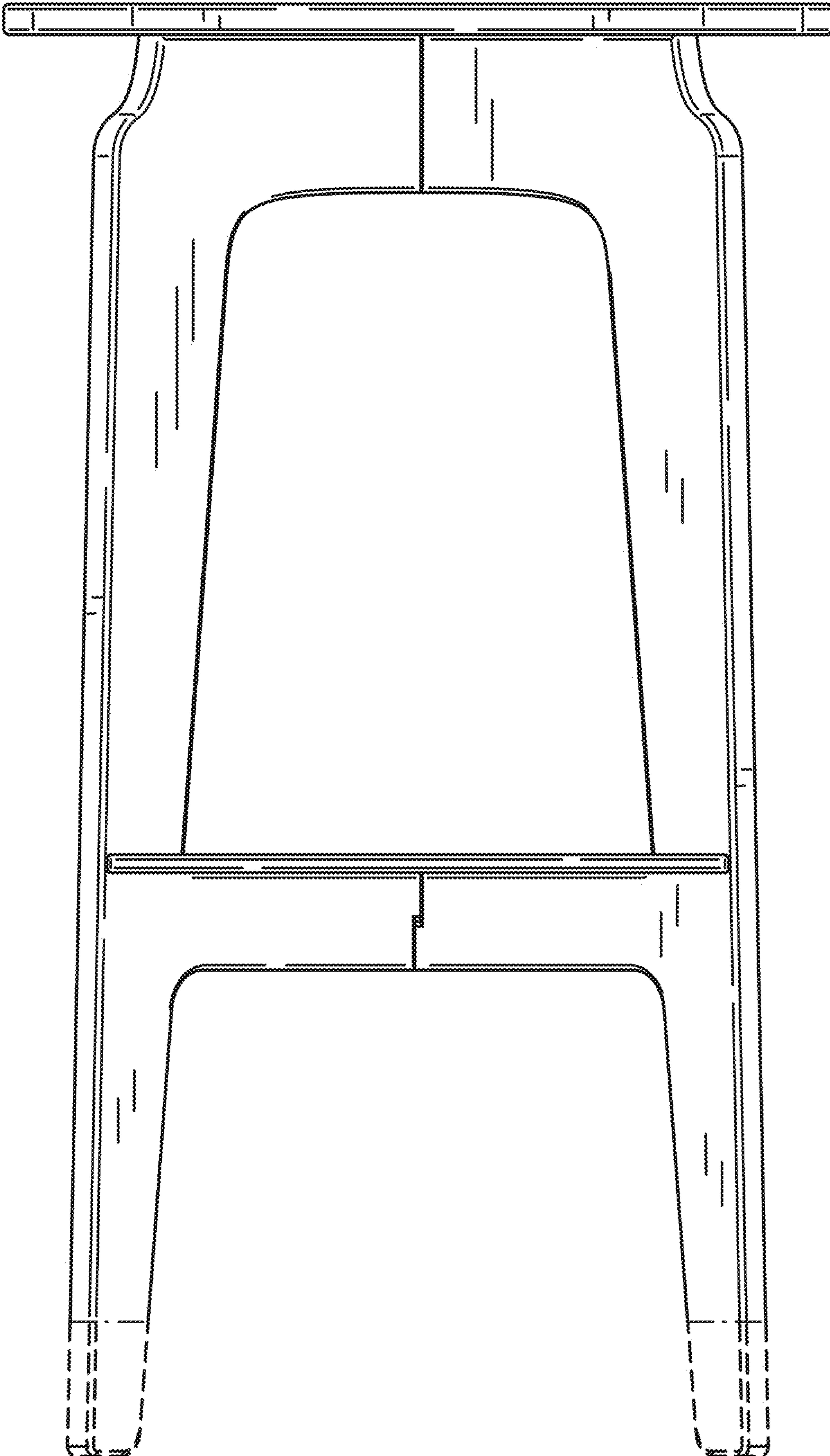


FIG. 3

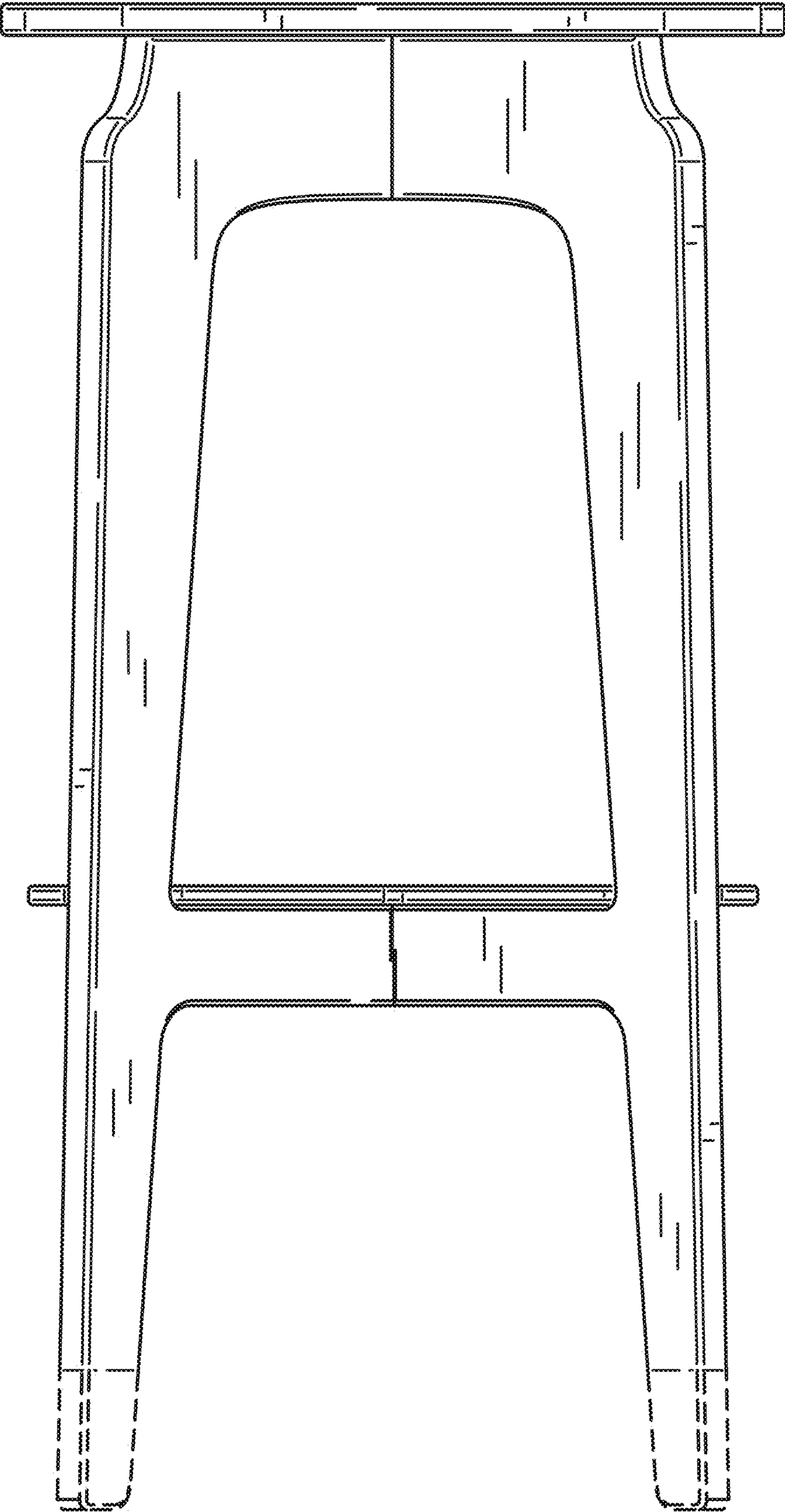


FIG. 4

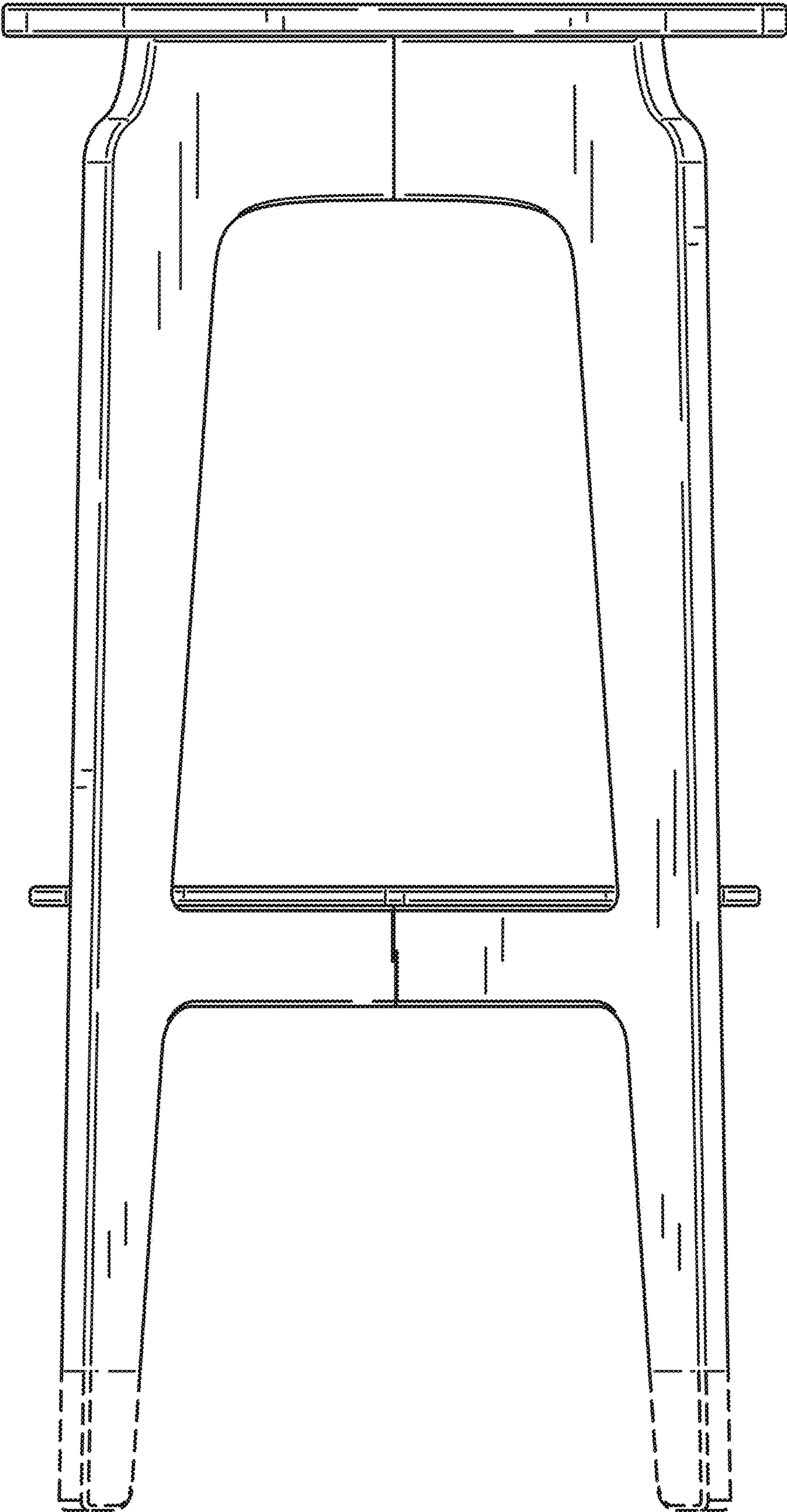


FIG. 5

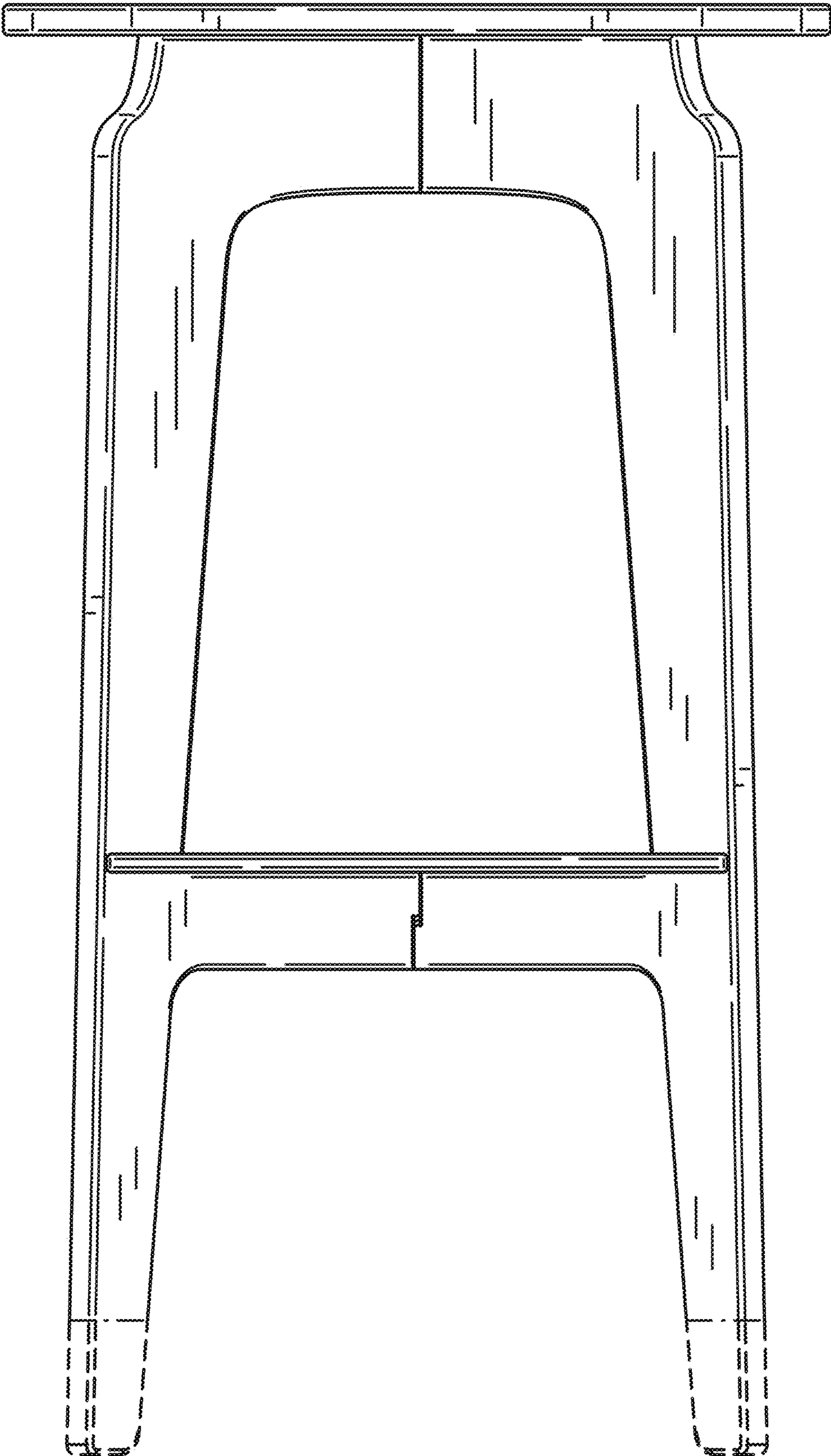


FIG. 6

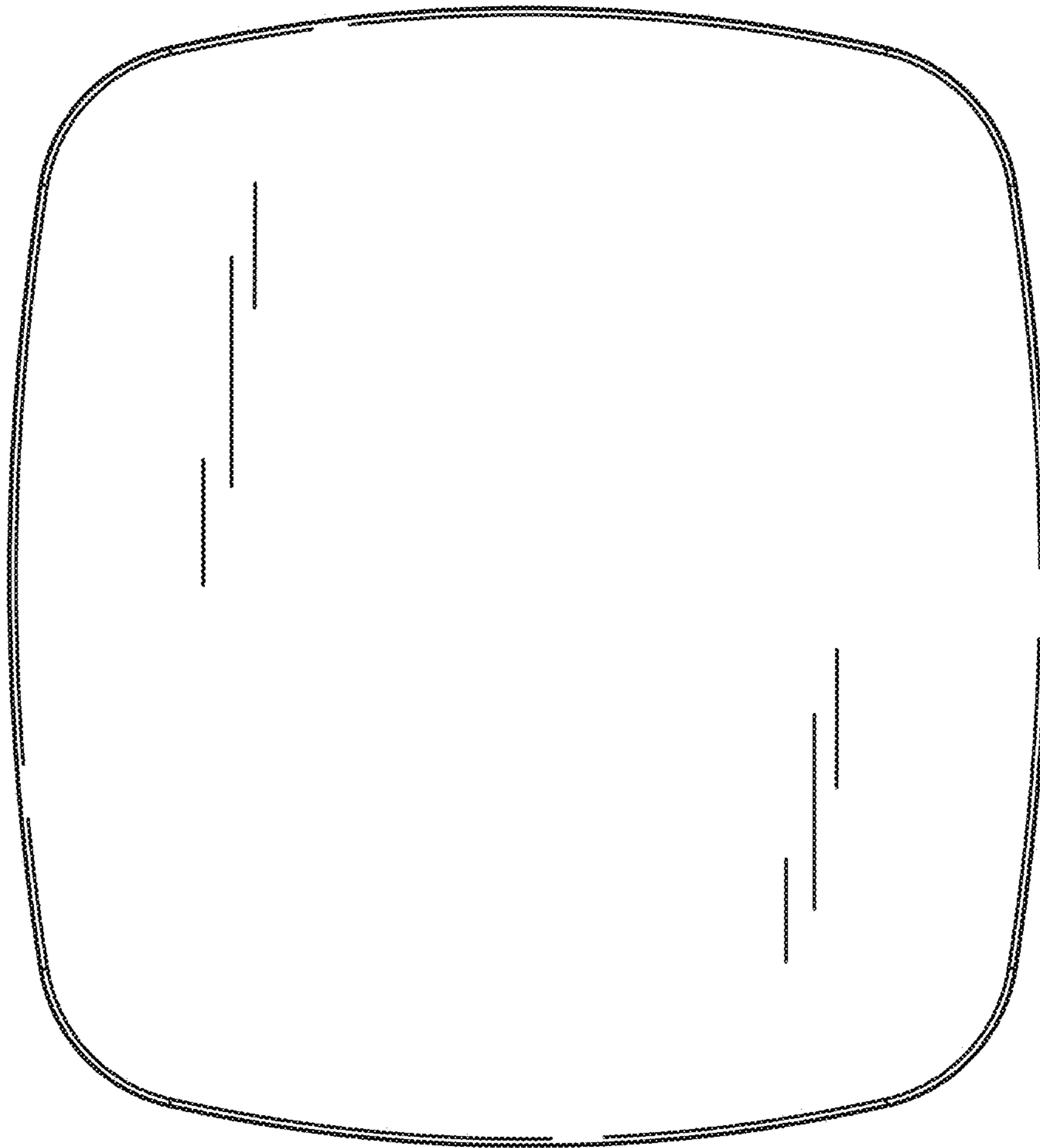


FIG. 7

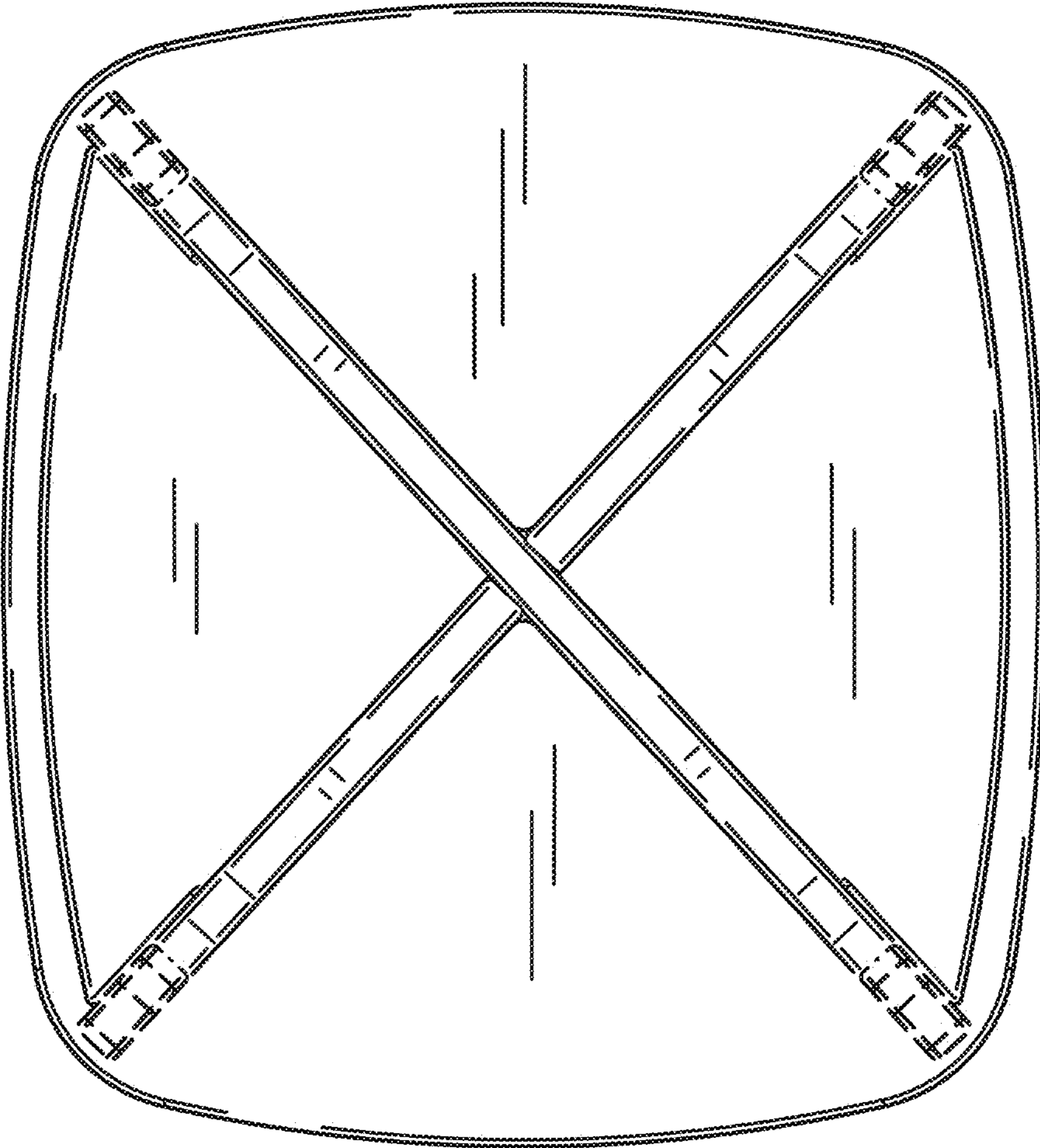


FIG. 8