



US0D1018042S

(12) **United States Design Patent** (10) **Patent No.:** **US D1,018,042 S**
Kittle et al. (45) **Date of Patent:** **** Mar. 19, 2024**

- (54) **SUCTION CONTAINER**
- (71) Applicant: **Sound Shore Innovations L.L.C.**,
Darien, CT (US)
- (72) Inventors: **David Kittle**, Charlotte, NC (US); **Kyle D. Rothschild**, Darien, CT (US)
- (73) Assignee: **Sound Shore Innovations L.L.C.**,
Darien, CT (US)
- (**) Term: **15 Years**
- (21) Appl. No.: **29/717,052**
- (22) Filed: **Dec. 13, 2019**
- (51) **LOC (14) Cl.** **03-01**
- (52) **U.S. Cl.**
USPC **D3/274; D3/294; D6/518**
- (58) **Field of Classification Search**
USPC D3/276, 282, 291, 294, 905, 901, 903,
D3/284, 289, 302, 271.2, 28, 1, 274, 281;
D6/518, 527, 525
CPC B25H 3/02; B25H 3/00; A47K 2010/3266
See application file for complete search history.

D796,867 S * 9/2017 Johnson D6/518
D804,218 S * 12/2017 Worden, IV D6/518
D805,802 S * 12/2017 McConnell D6/518
(Continued)

OTHER PUBLICATIONS

Amazon, "Gadjet Wet Wipes, Hand Wipes & Baby Wipes Wall Dispenser", First reviewed May 29, 2020. (<https://www.amazon.com/Gadjet-Dispenser-Mounts-One-Handed-Dispensing/dp/B084CZK8NT/>) (Year: 2020).*
(Continued)

Primary Examiner — April Rivas
(74) *Attorney, Agent, or Firm* — Jones Day

(57) **CLAIM**

The ornamental design for a suction container, as shown and described.

DESCRIPTION

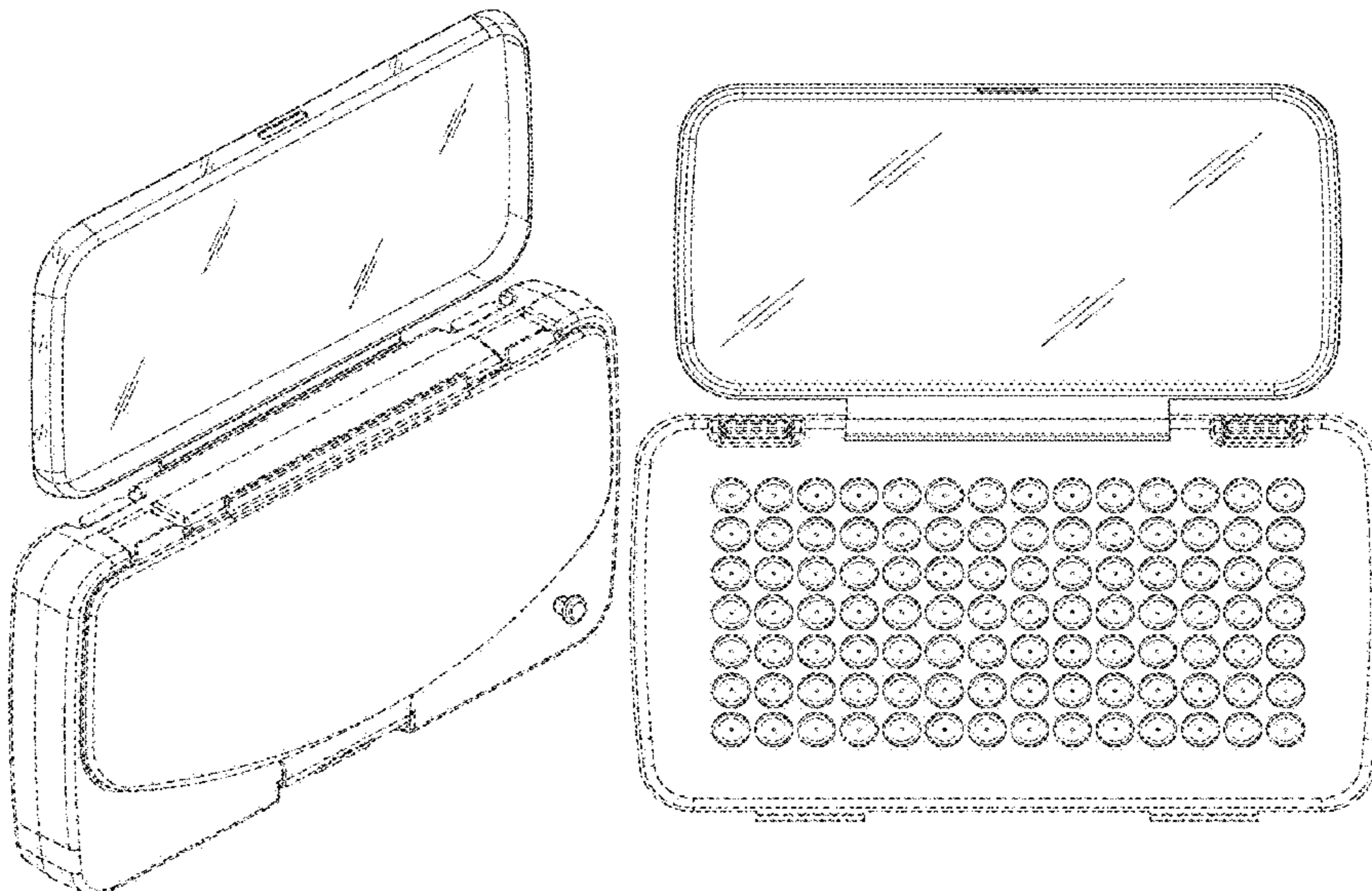
FIG. 1 is a perspective view of a suction container in a first position;
FIG. 2 is a top plan view thereof;
FIG. 3 is a bottom plan view thereof;
FIG. 4 is a left side elevational view thereof;
FIG. 5 is a right side elevational view thereof;
FIG. 6 is a front elevational view thereof;
FIG. 7 is a rear elevational view thereof;
FIG. 8 is a perspective view of the suction container in a second position;
FIG. 9 is a top plan view thereof;
FIG. 10 is a bottom plan view thereof;
FIG. 11 is a left side elevational view thereof;
FIG. 12 is a right side elevational view thereof;
FIG. 13 is a front elevational view thereof; and,
FIG. 14 is a rear elevational view thereof.
The broken line portions of the suction container represent unclaimed portions of the claimed design and form no part thereof.

(56) **References Cited**

U.S. PATENT DOCUMENTS

D340,373	S	*	10/1993	Konkin	D6/518
D347,536	S	*	6/1994	Berreth	D6/524
D469,288	S	*	1/2003	Wray	D6/518
D495,545	S	*	9/2004	Niehues	D6/518
D495,910	S	*	9/2004	Zaidman	D6/518
D525,464	S	*	7/2006	Khurana	D6/518
D546,602	S	*	7/2007	Chasid	D6/518
D550,487	S	*	9/2007	Mesalic	D6/518
D642,838	S	*	8/2011	Gehring	D6/518
D656,021	S	*	3/2012	Dunn	D9/734
D665,259	S	*	8/2012	Dunn	D9/734
D688,063	S	*	8/2013	Delaney, III	D6/518
D689,298	S	*	9/2013	Andochick	D6/518
D704,951	S	*	5/2014	Coleman	D6/518

1 Claim, 14 Drawing Sheets



(56)

References Cited

U.S. PATENT DOCUMENTS

D806,571 S * 1/2018 Umholtz D9/734
D812,926 S * 3/2018 Van Scoyoc D6/518
10,517,446 B1 * 12/2019 Garcia A47K 10/421
D916,487 S * 4/2021 Zheng D6/518

OTHER PUBLICATIONS

Amazon, "OXO Tot On-The-Go Wipes Dispenser . . . ", First
Reviewed Feb. 25, 2017. (<https://www.amazon.com/OXO-Tot-Wipes-Dispenser-Gray/dp/B01MDMYDJO/>) (Year: 2017).*

* cited by examiner

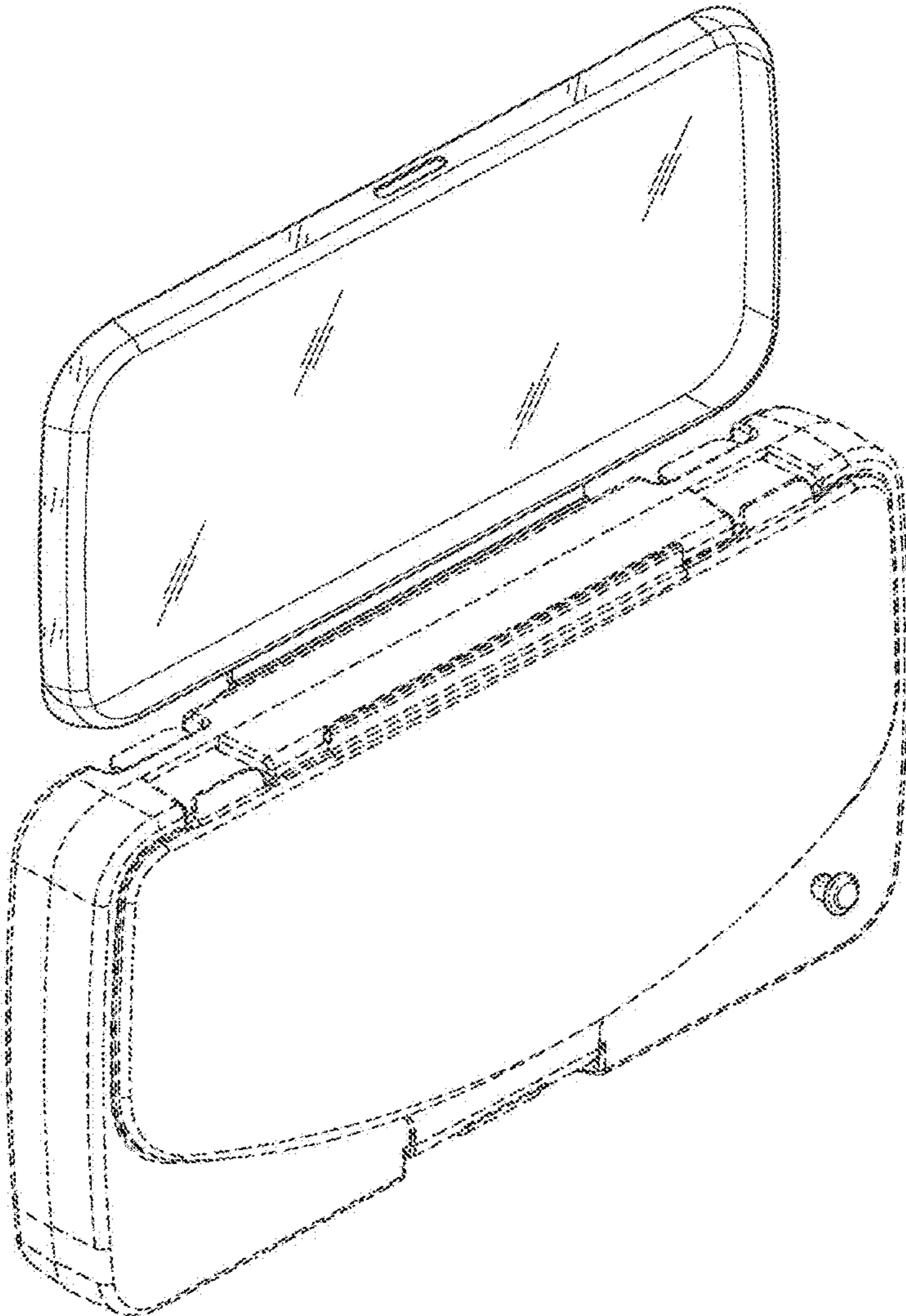


FIG. 1

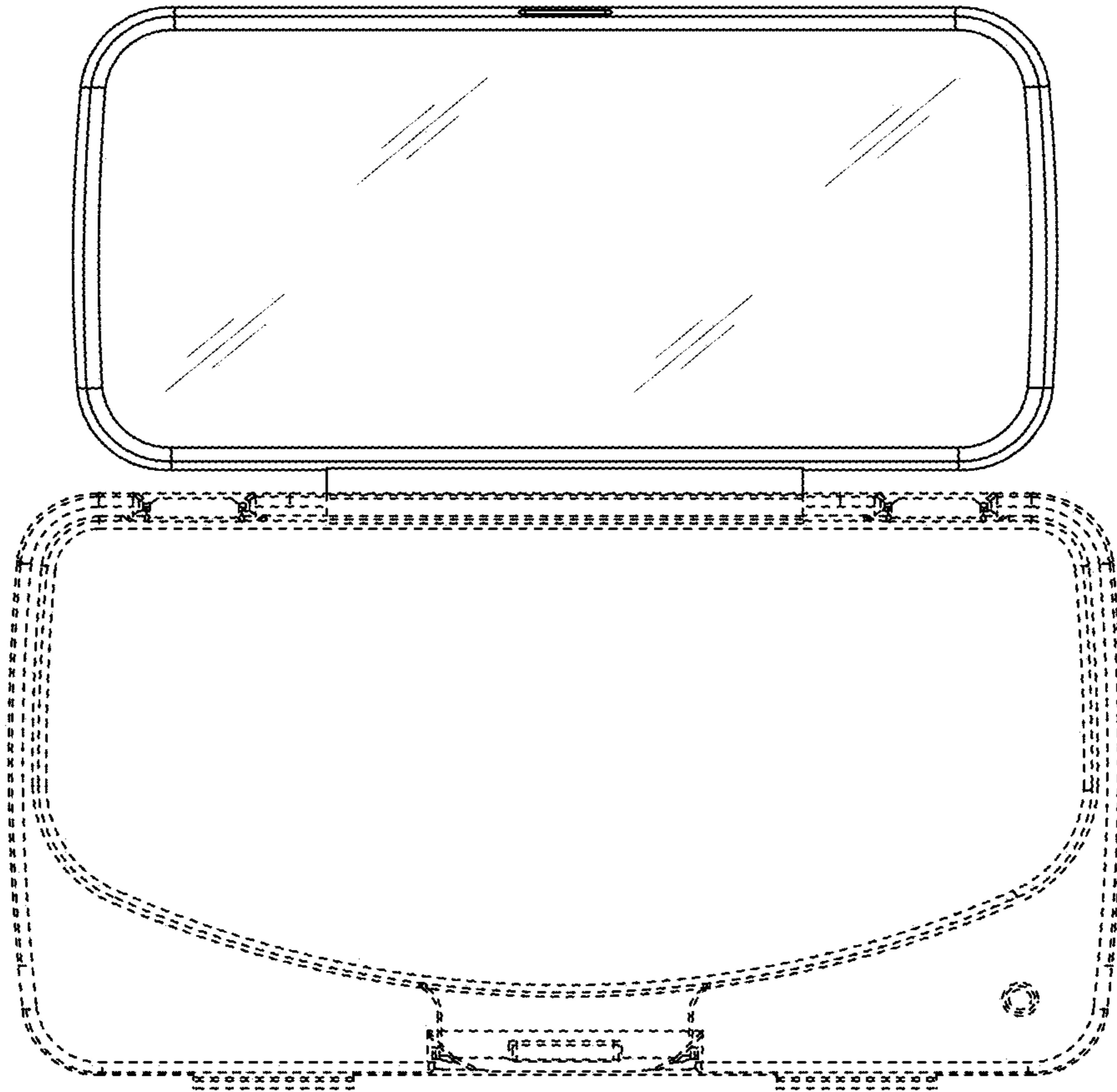


FIG. 2

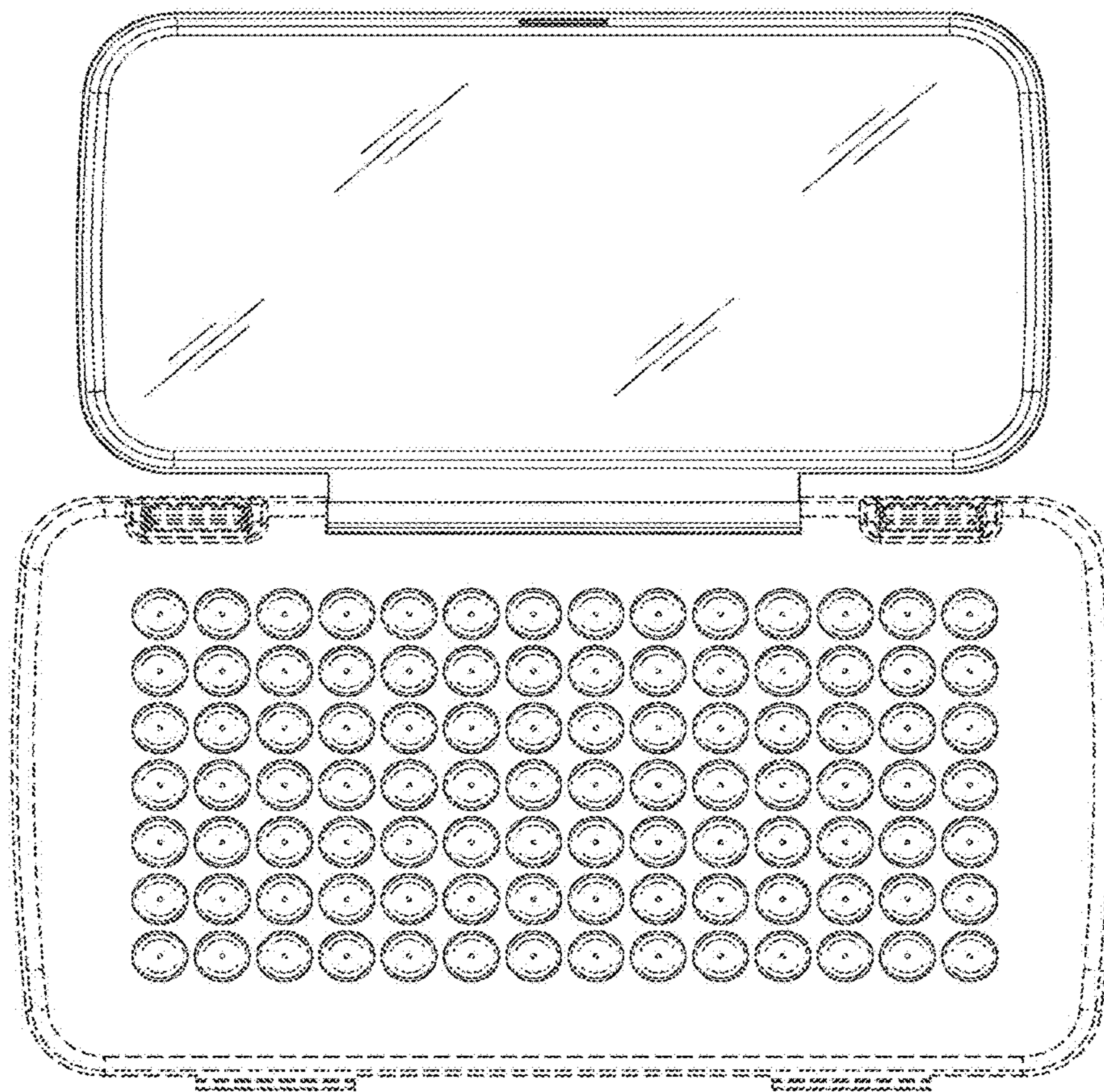


FIG. 3

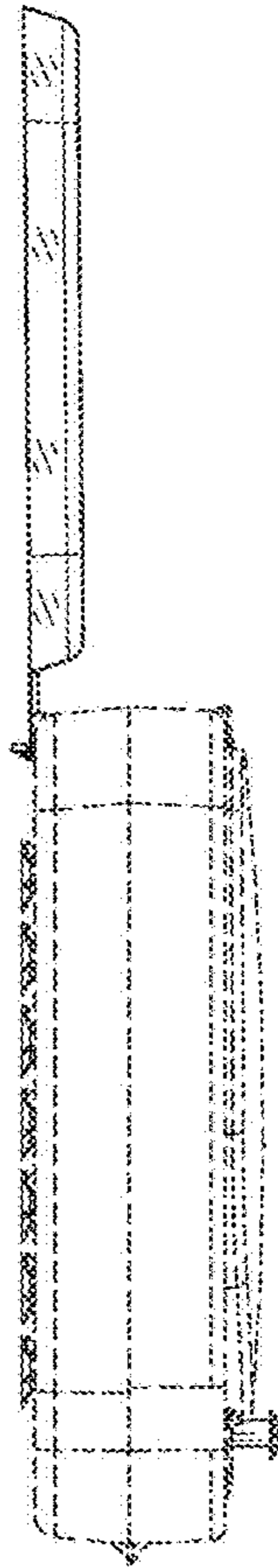


FIG. 4

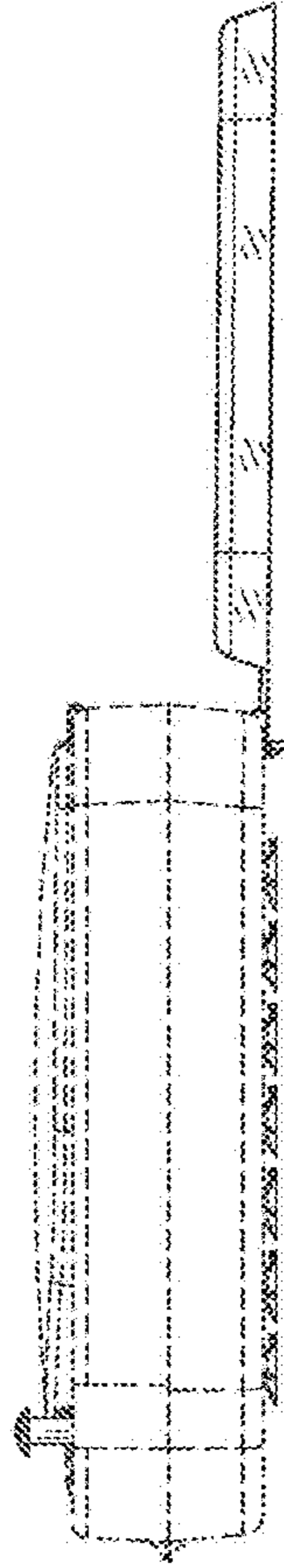


FIG. 5

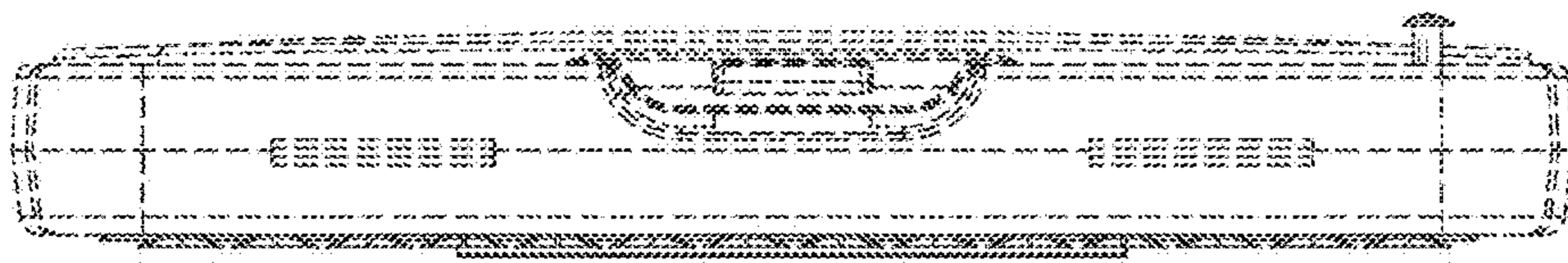


FIG. 6

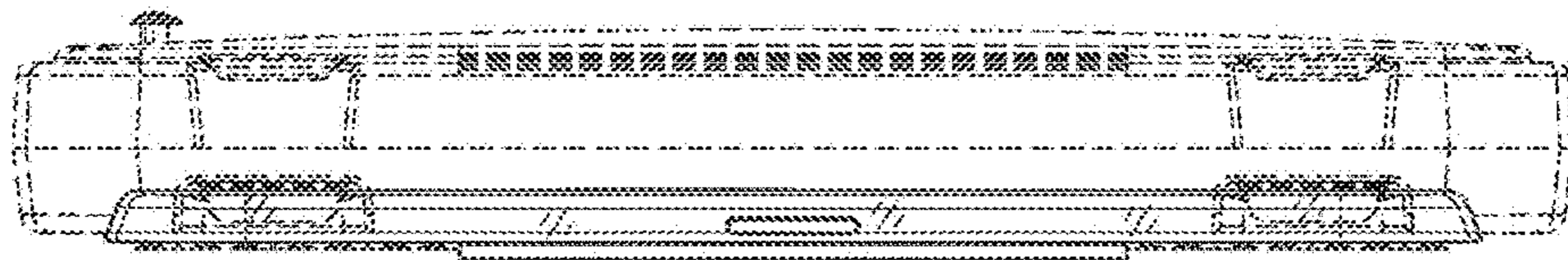


FIG. 7

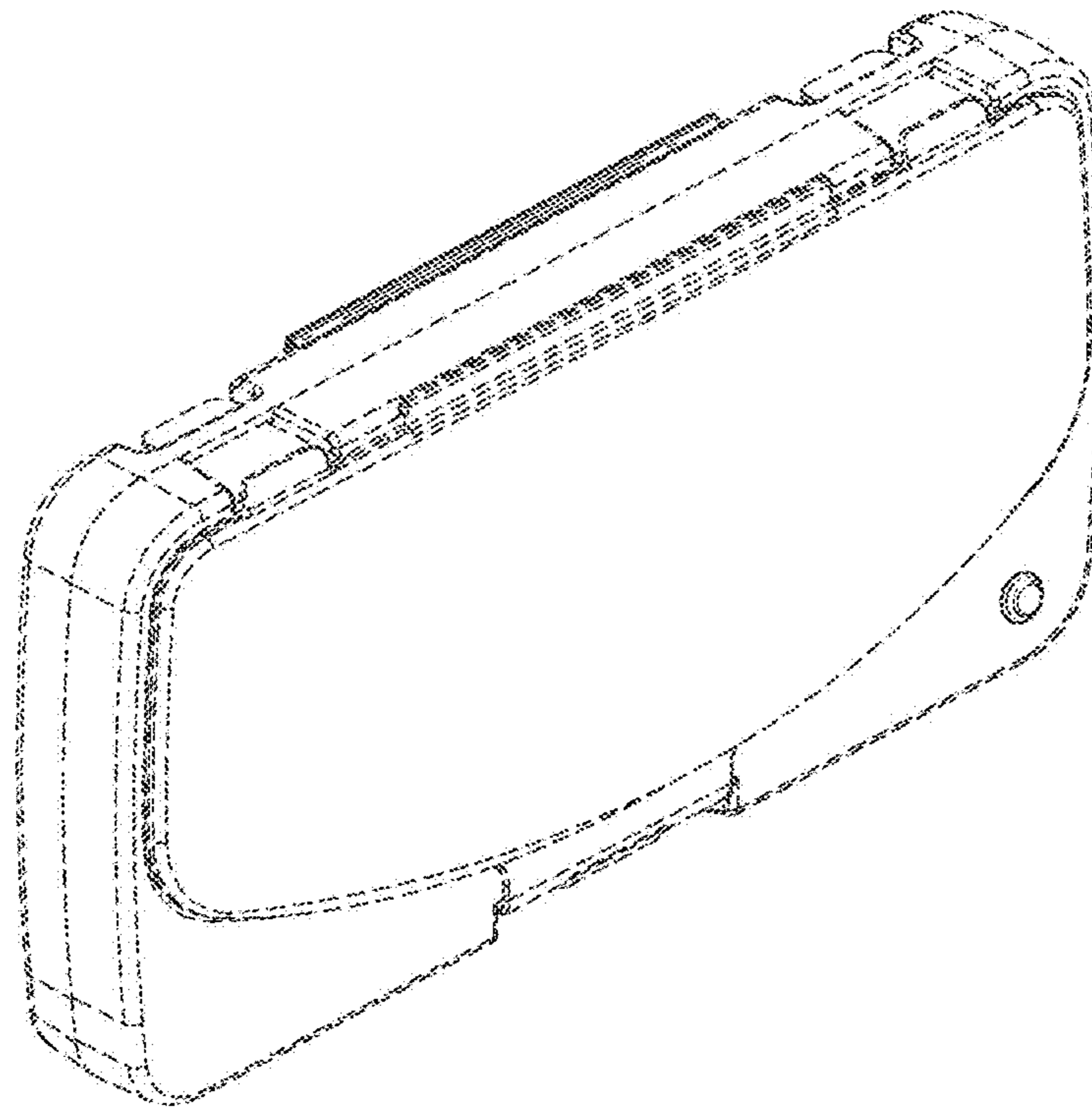


FIG. 8

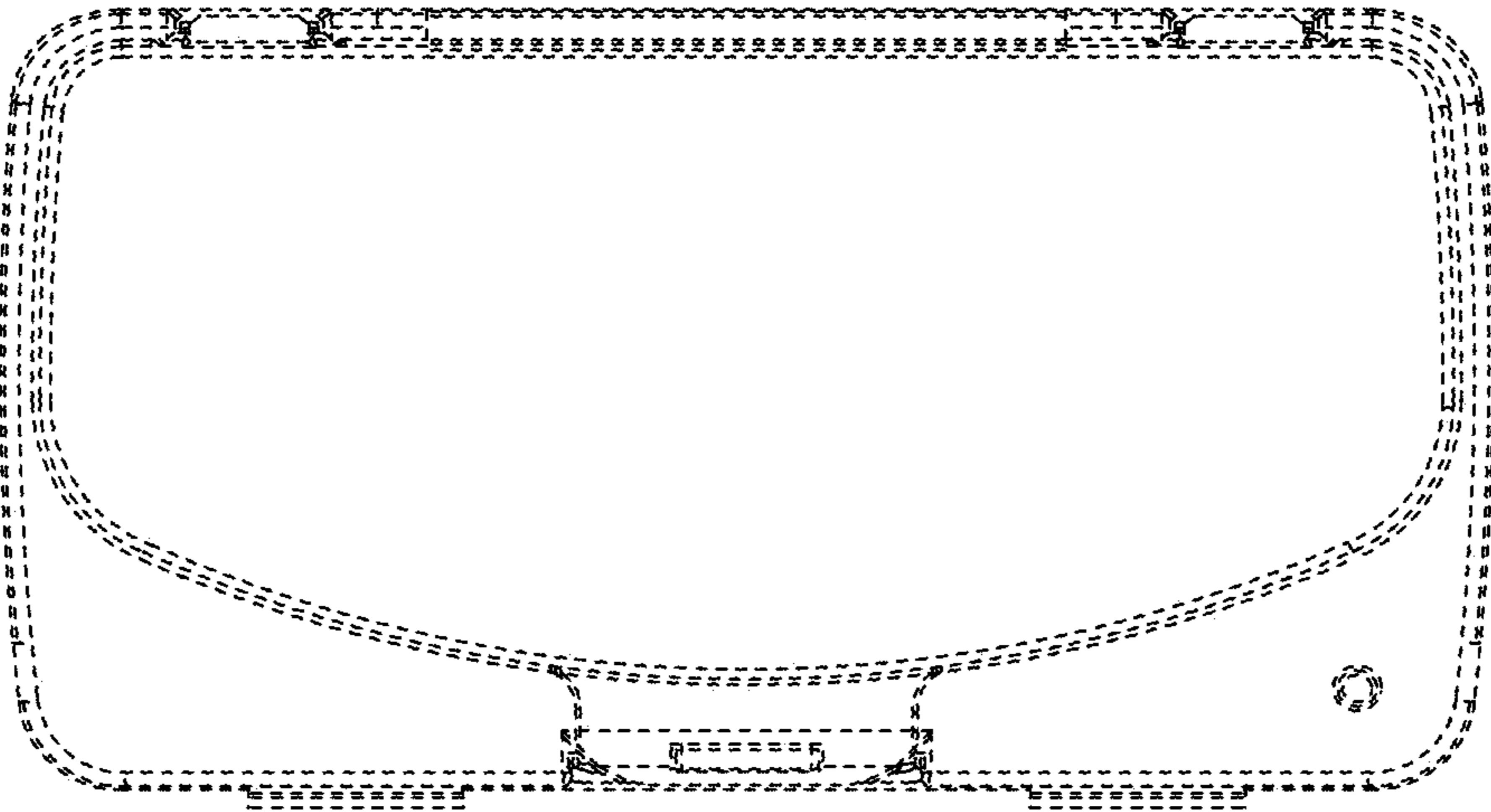


FIG. 9

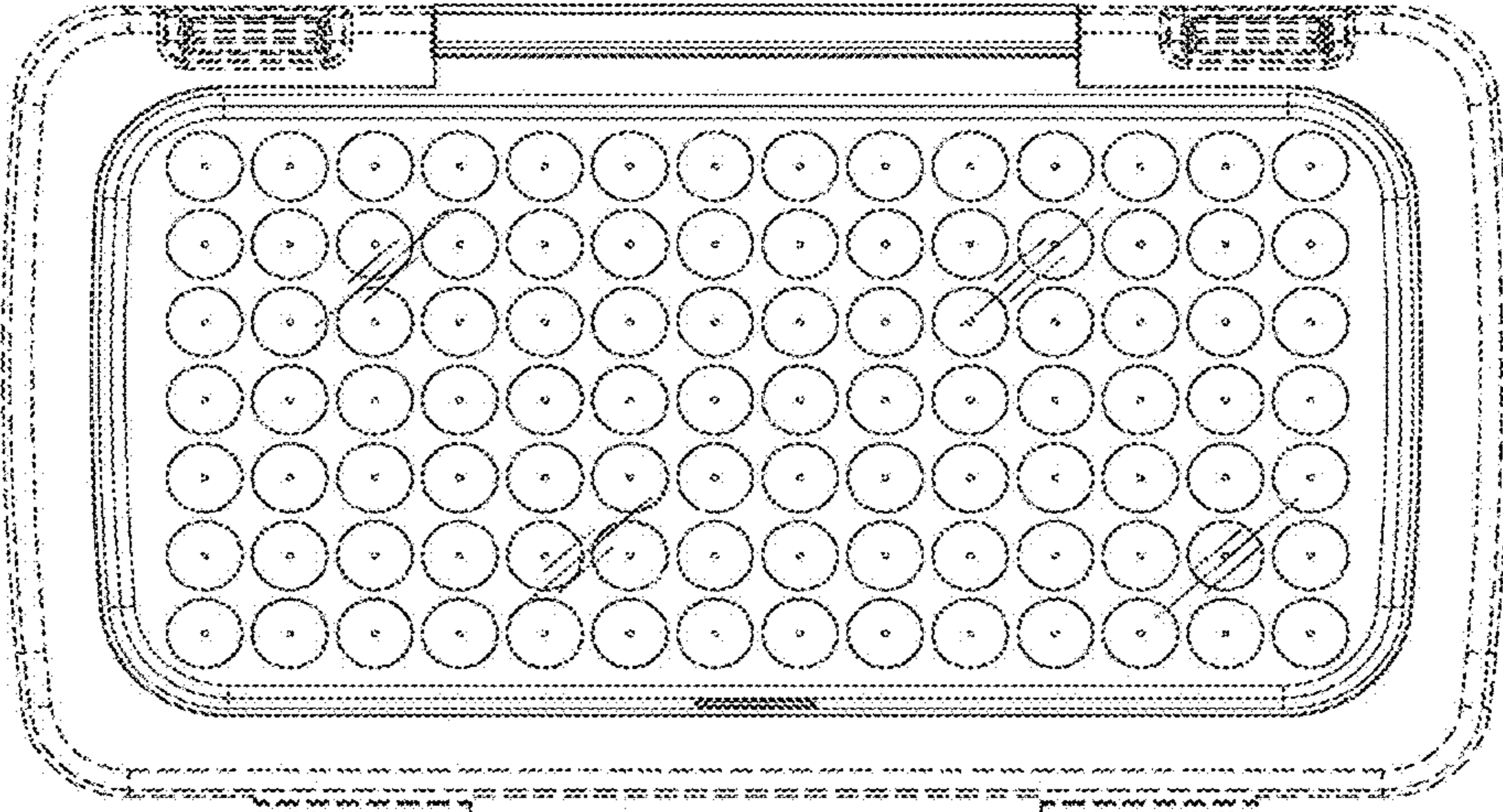


FIG. 10

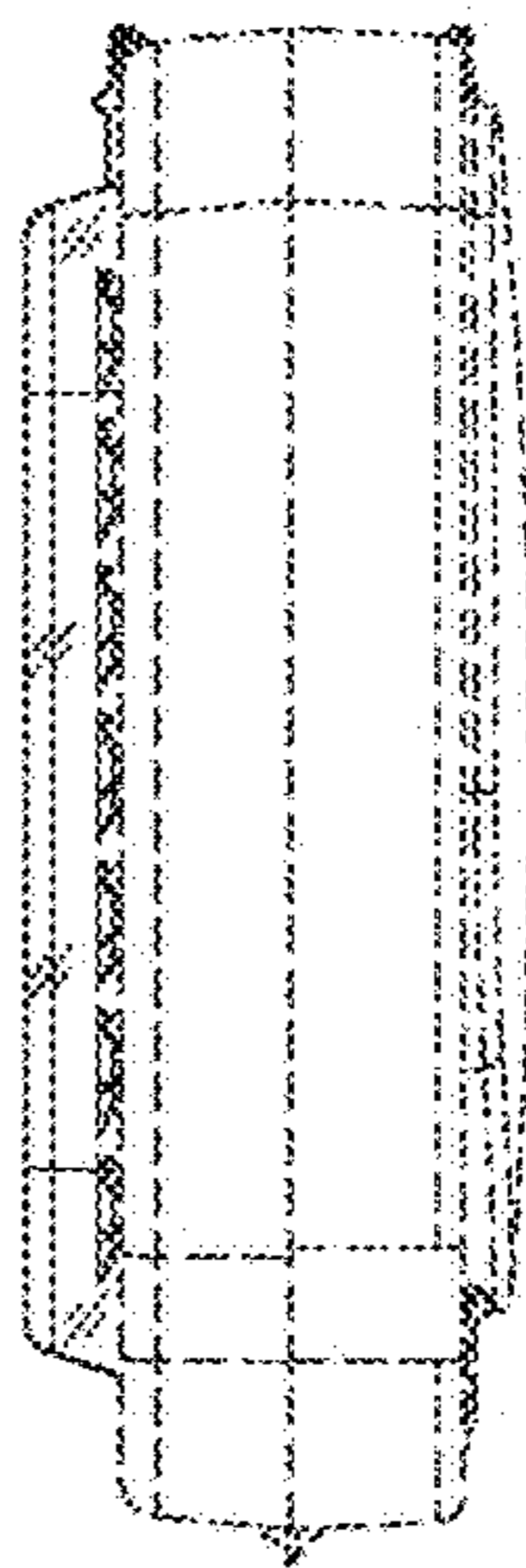


FIG. 11

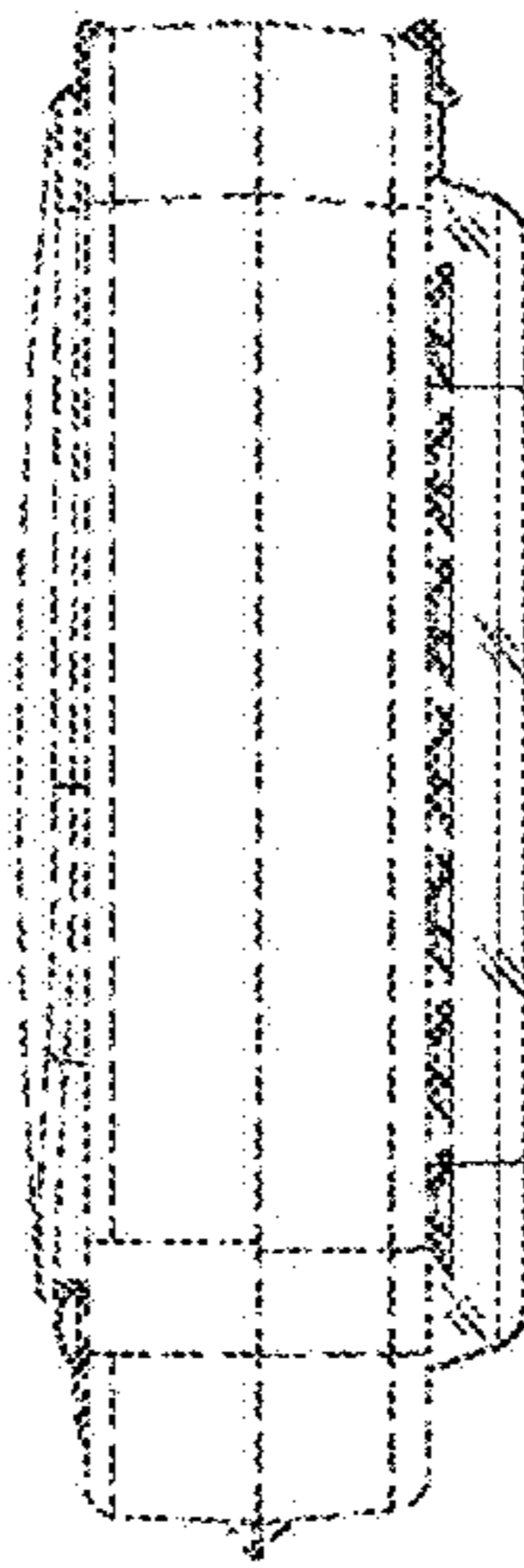


FIG. 12

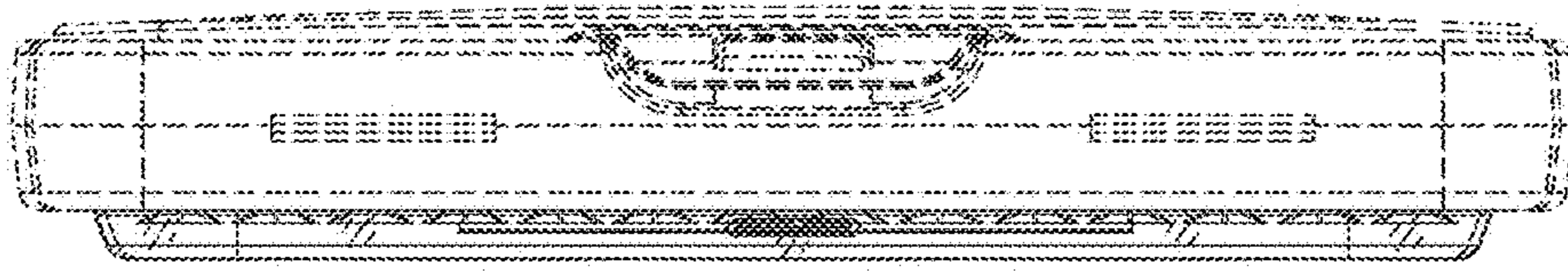


FIG. 13

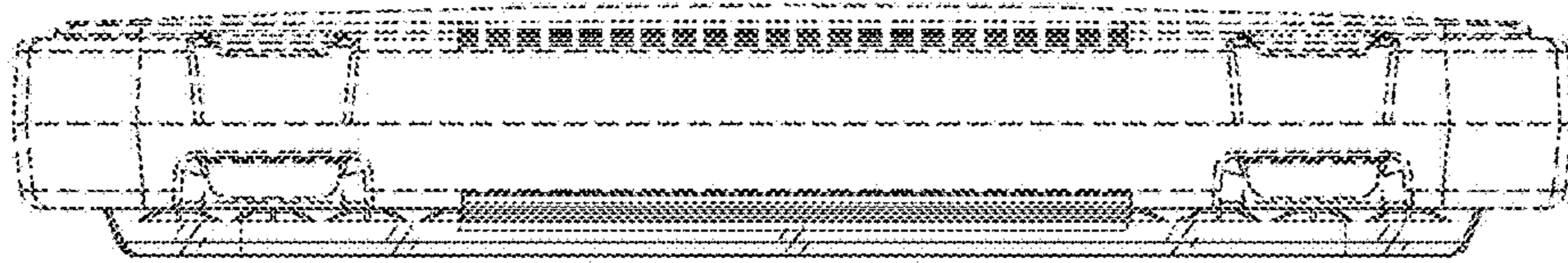


FIG. 14