

US0D1018019S

(12) **United States Design Patent**  
**Amoyal et al.**

(10) **Patent No.:** **US D1,018,019 S**

(45) **Date of Patent:** **\*\* Mar. 19, 2024**

- (54) **PILL DISPENSER**
- (71) Applicant: **Impruvon, Inc.**, Manassas, VA (US)
- (72) Inventors: **Justin Michael Amoyal**, Ashburn, VA (US); **Michael Jared Mazzocco**, King George, VA (US)
- (73) Assignee: **Impruvon, Inc.**, Manassas, VA (US)
- (\*\*) Term: **15 Years**
- (21) Appl. No.: **29/847,786**
- (22) Filed: **Jul. 27, 2022**

- 6,834,775 B1 \* 12/2004 Collins ..... G07F 17/0092  
221/124
- 7,917,246 B2 \* 3/2011 Handfield ..... G07F 17/0092  
221/124
- 7,963,201 B2 \* 6/2011 Willoughby ..... G07F 17/0092  
83/210
- 8,600,548 B2 \* 12/2013 Bossi ..... A61J 7/0084  
700/231
- D773,175 S \* 12/2016 Fagen ..... D3/203.1
- 9,579,264 B1 \* 2/2017 Litton ..... A61J 7/0481
- 10,327,995 B2 \* 6/2019 Wang ..... G07F 11/54
- 10,343,806 B2 \* 7/2019 Fagen ..... A61J 1/035
- D904,007 S \* 12/2020 Lavin ..... D3/203.1
- D942,771 S \* 2/2022 Loiseau ..... D3/203.2
- 11,348,399 B1 \* 5/2022 Sanso ..... A61J 7/0084
- 11,410,764 B1 \* 8/2022 Rosomoff ..... A61J 7/0481
- D964,017 S \* 9/2022 Minocha ..... D3/203.4

(Continued)

**Related U.S. Application Data**

- (63) Continuation of application No. 17/496,538, filed on Oct. 7, 2021, which is a continuation-in-part of application No. 16/923,641, filed on Jul. 8, 2020, now Pat. No. 11,166,879.

- (51) **LOC (14) Cl.** ..... **03-01**
- (52) **U.S. Cl.**  
USPC ..... **D3/203.1**

- (58) **Field of Classification Search**  
USPC ..... D3/203.1, 203.2, 203.3, 203.4  
CPC ..... A61J 1/00; A61J 1/03; A61J 1/035; A61J 7/0015; A61J 7/0076; A61J 7/0084; A61J 7/02; A61J 7/04; A61J 7/0427; A61J 7/0454  
See application file for complete search history.

(56) **References Cited**

**U.S. PATENT DOCUMENTS**

- 5,119,969 A \* 6/1992 Haber ..... A61J 7/0076  
414/412
- 5,921,433 A \* 7/1999 Friar ..... B65D 83/0472  
221/25
- D424,850 S \* 5/2000 Handfield ..... D6/515
- D435,991 S \* 1/2001 Handfield ..... D6/515

*Primary Examiner* — Steven J Czyz

(74) *Attorney, Agent, or Firm* — Offit Kurman, P.A.;  
Joseph P. Mathew

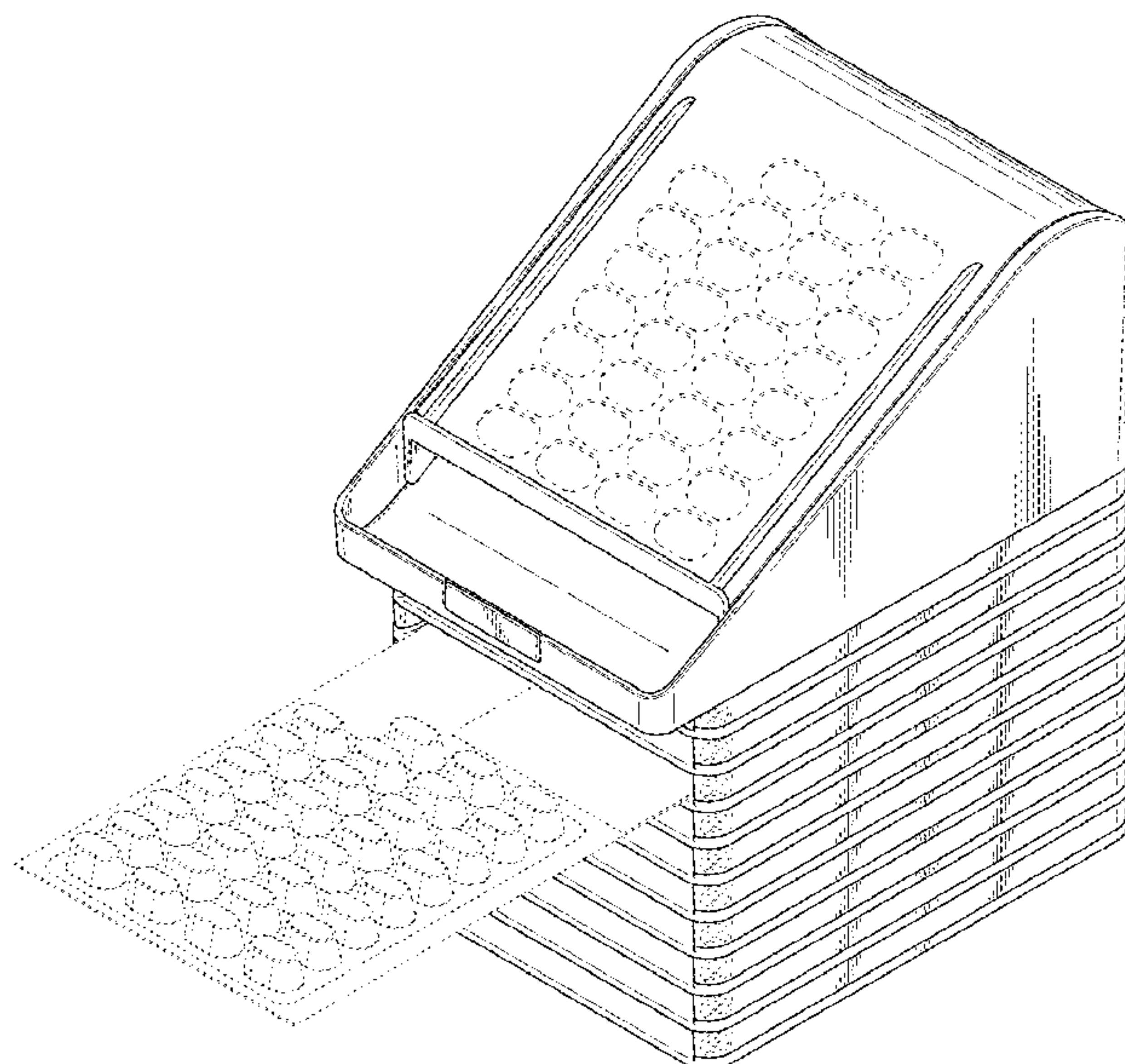
(57) **CLAIM**

The ornamental design for a pill dispenser, as shown and described.

**DESCRIPTION**

FIG. 1 is a top front right side perspective view of a pill dispenser, shown in use with environment;  
 FIG. 2 is a top front right side perspective view of the pill dispenser;  
 FIG. 3 is a bottom rear left side perspective view thereof;  
 FIG. 4 is a front view thereof;  
 FIG. 5 is a rear view thereof;  
 FIG. 6 is a left view thereof;  
 FIG. 7 is a right view thereof;  
 FIG. 8 is a top view thereof; and,  
 FIG. 9 is a bottom view thereof.  
 The broken lines depict portions of the article and environment that form no part of the claimed design.

**1 Claim, 9 Drawing Sheets**



(56)

**References Cited**

U.S. PATENT DOCUMENTS

11,554,081	B1 *	1/2023	Gellman .....	G16H 10/65
11,617,436	B1 *	4/2023	McNannay .....	A61J 7/0418
				109/44
11,743,424	B1 *	8/2023	Lavin .....	H04N 7/142
				221/3
2005/0061825	A1 *	3/2005	Willoughby .....	G07F 11/68
				221/2
2005/0281706	A1 *	12/2005	Funke .....	G01N 33/48757
				422/430
2006/0058918	A1 *	3/2006	Handfield .....	G07F 9/026
				700/236
2008/0035520	A1 *	2/2008	Caracciolo .....	G07F 17/0092
				206/535
2011/0193716	A1 *	8/2011	Goff .....	G07F 17/0092
				340/693.12
2012/0259456	A1 *	10/2012	Saltsov .....	G16H 20/13
				700/236
2017/0197748	A1 *	7/2017	Fagen .....	A61J 1/035
2017/0197775	A1 *	7/2017	Fagen .....	A61J 1/035
2018/0104153	A1 *	4/2018	Wang .....	A61J 7/0076
2018/0177683	A1 *	6/2018	van Wijngaarden .	A61J 7/0084
2018/0303719	A1 *	10/2018	DeLury .....	A61J 1/03
2020/0323738	A1 *	10/2020	Bear .....	A61J 7/0481
2021/0130076	A1 *	5/2021	Brinckerhoff .....	A61J 7/0481
2022/0096330	A1 *	3/2022	Rivard .....	A61J 7/0084
2022/0105008	A1 *	4/2022	Long .....	A61J 7/0427
2022/0312961	A1 *	10/2022	Rahilly .....	A47B 49/002
2022/0313558	A1 *	10/2022	Duda .....	A61J 7/0454
2023/0000724	A1 *	1/2023	Pruyn .....	A61J 7/0076

\* cited by examiner

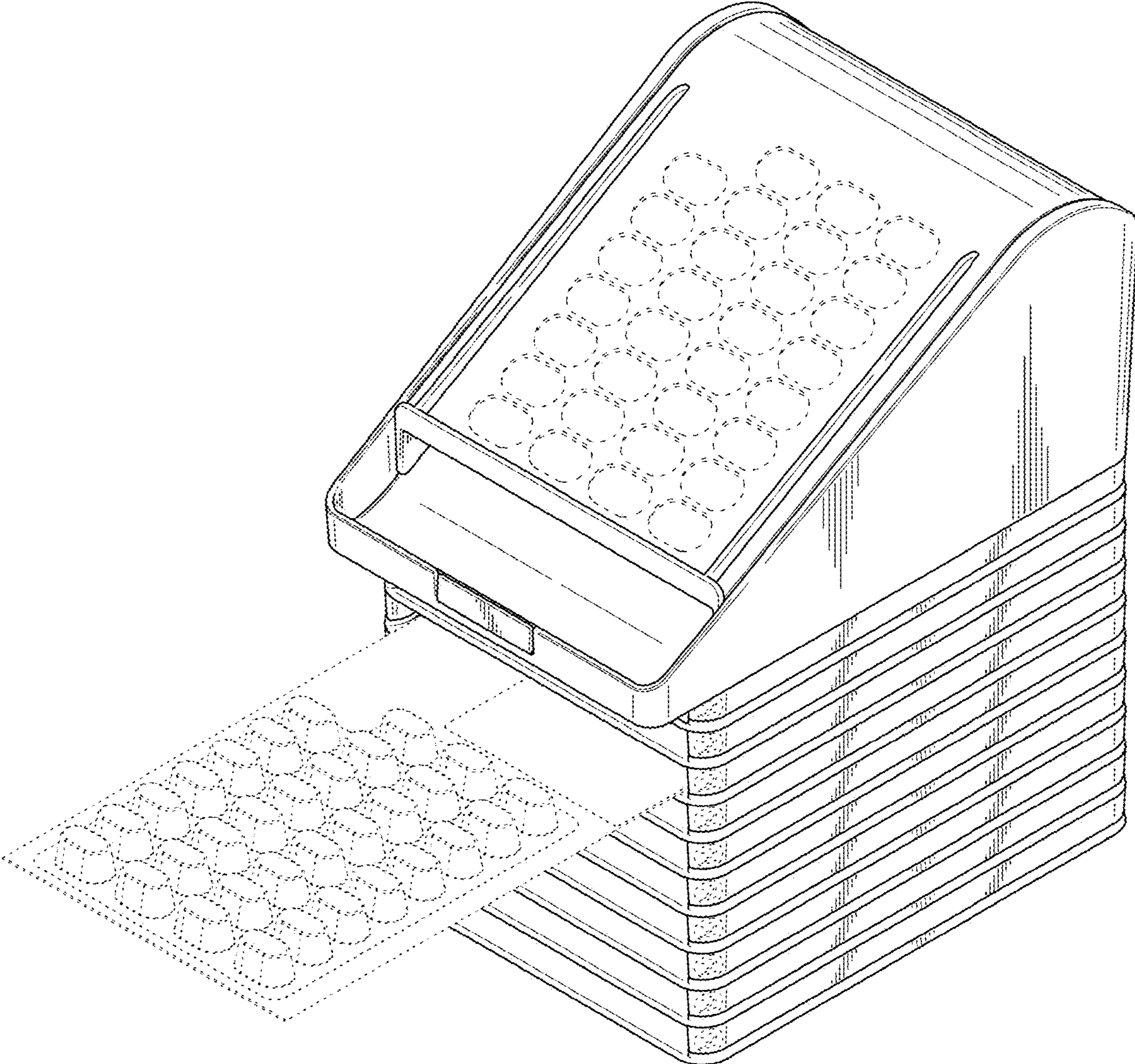


FIG. 1



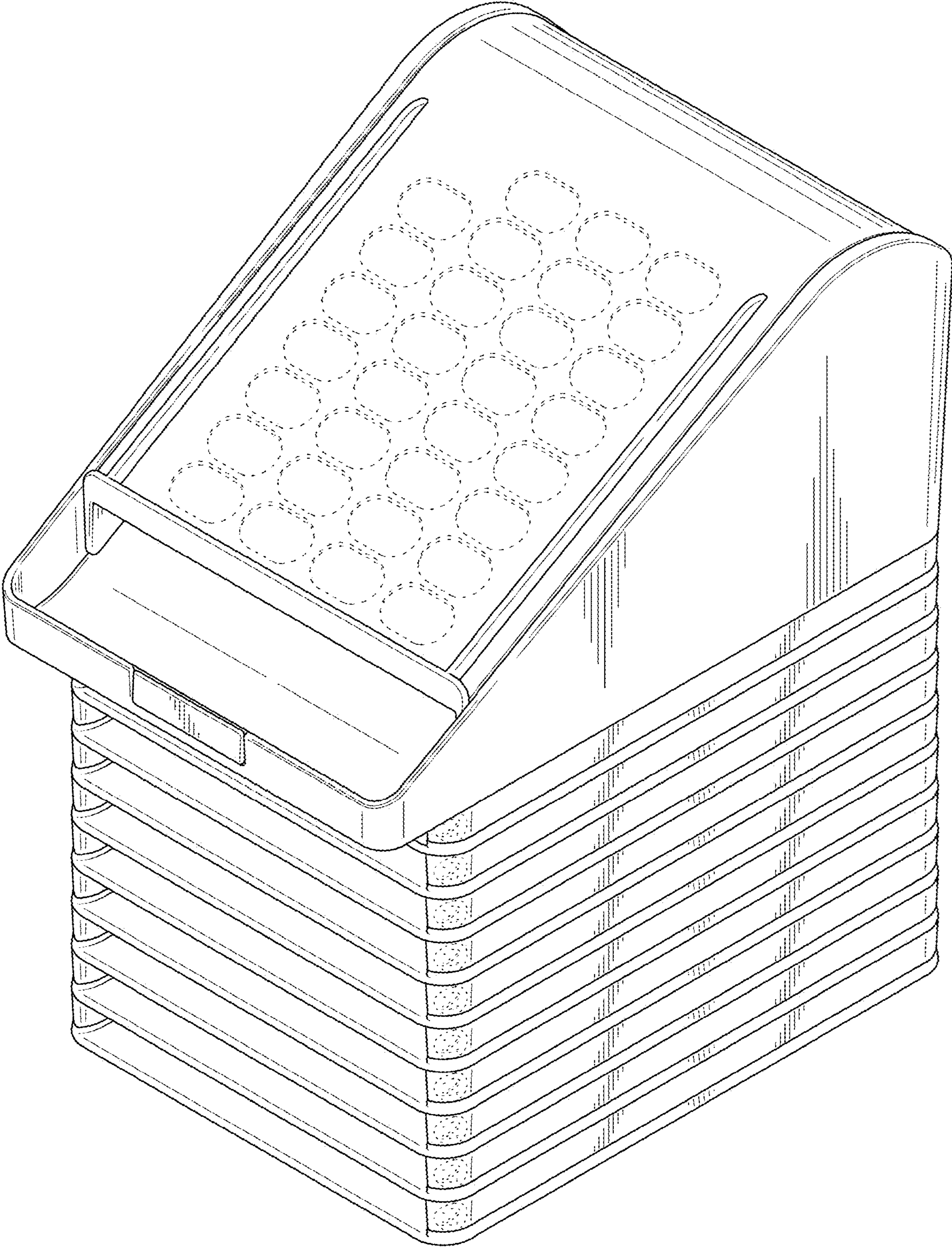


FIG. 2

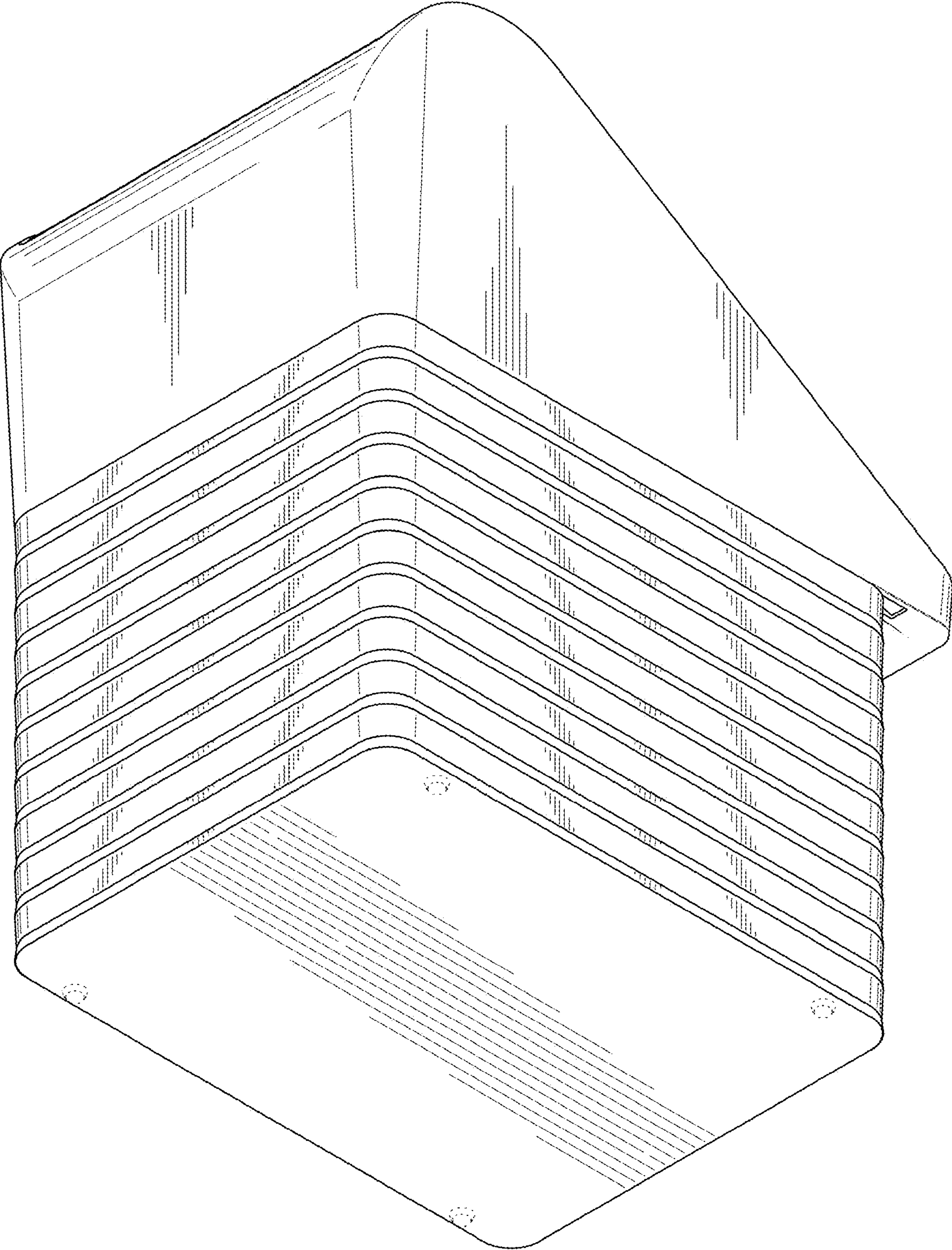


FIG. 3



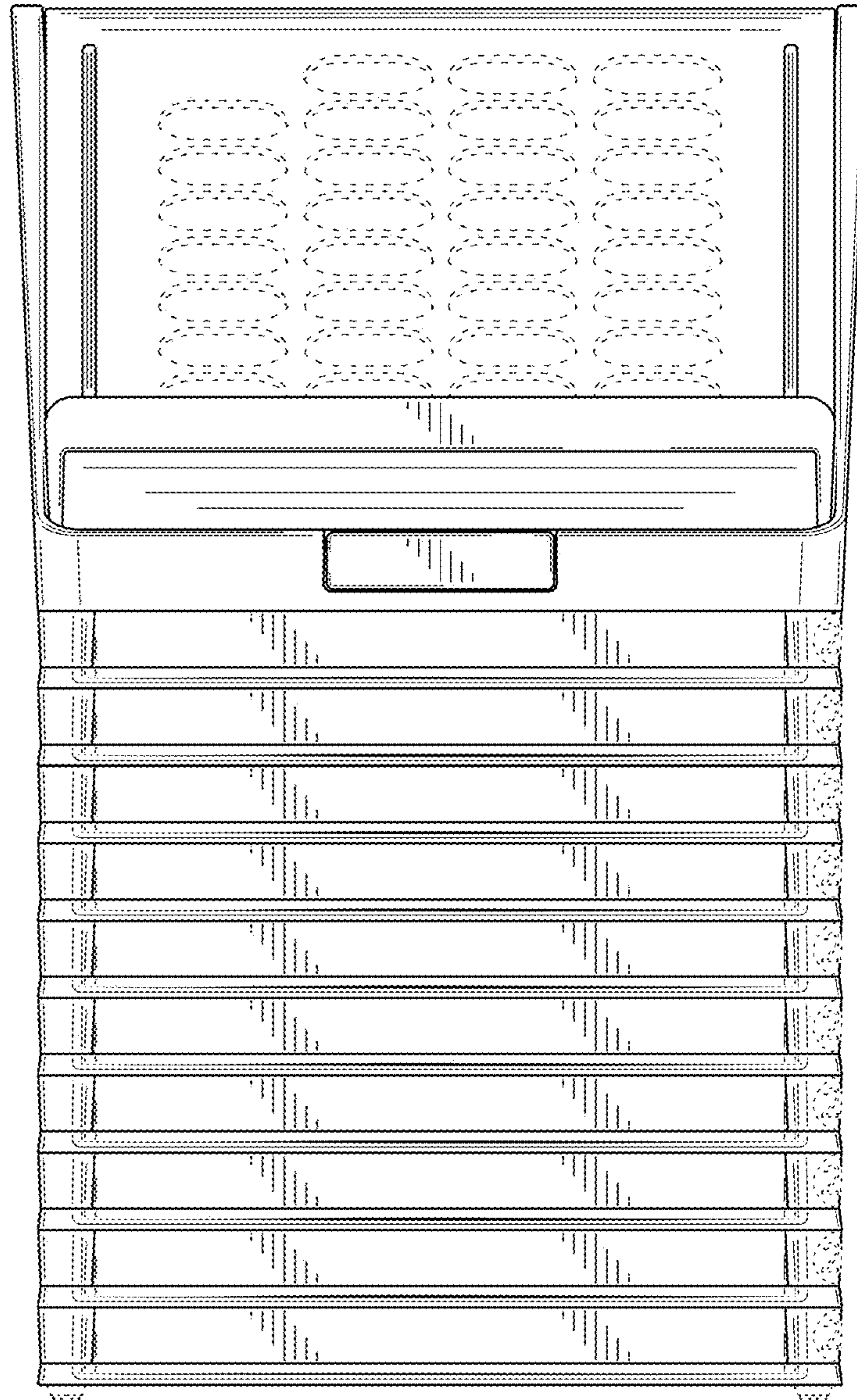


FIG. 4

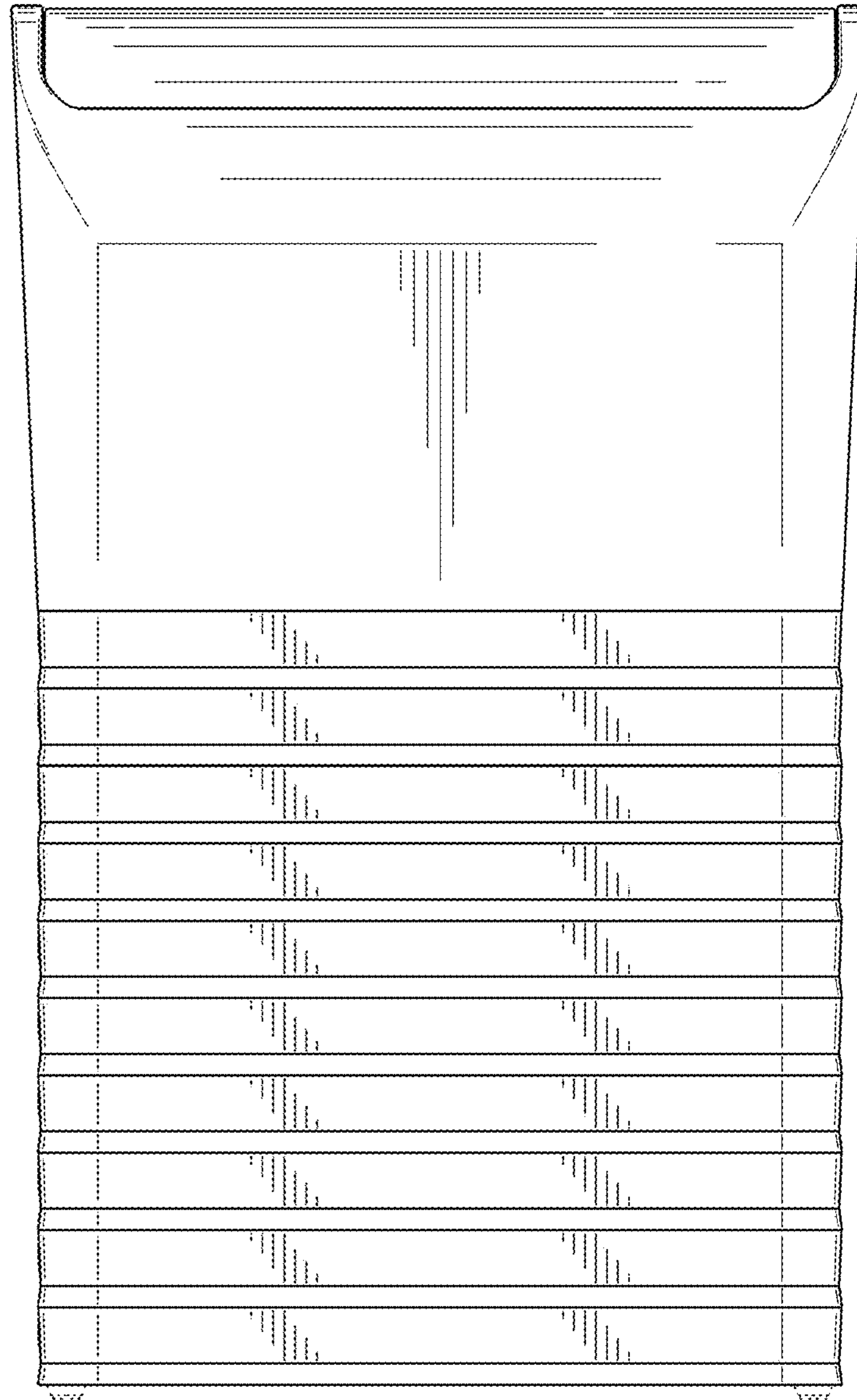


FIG. 5

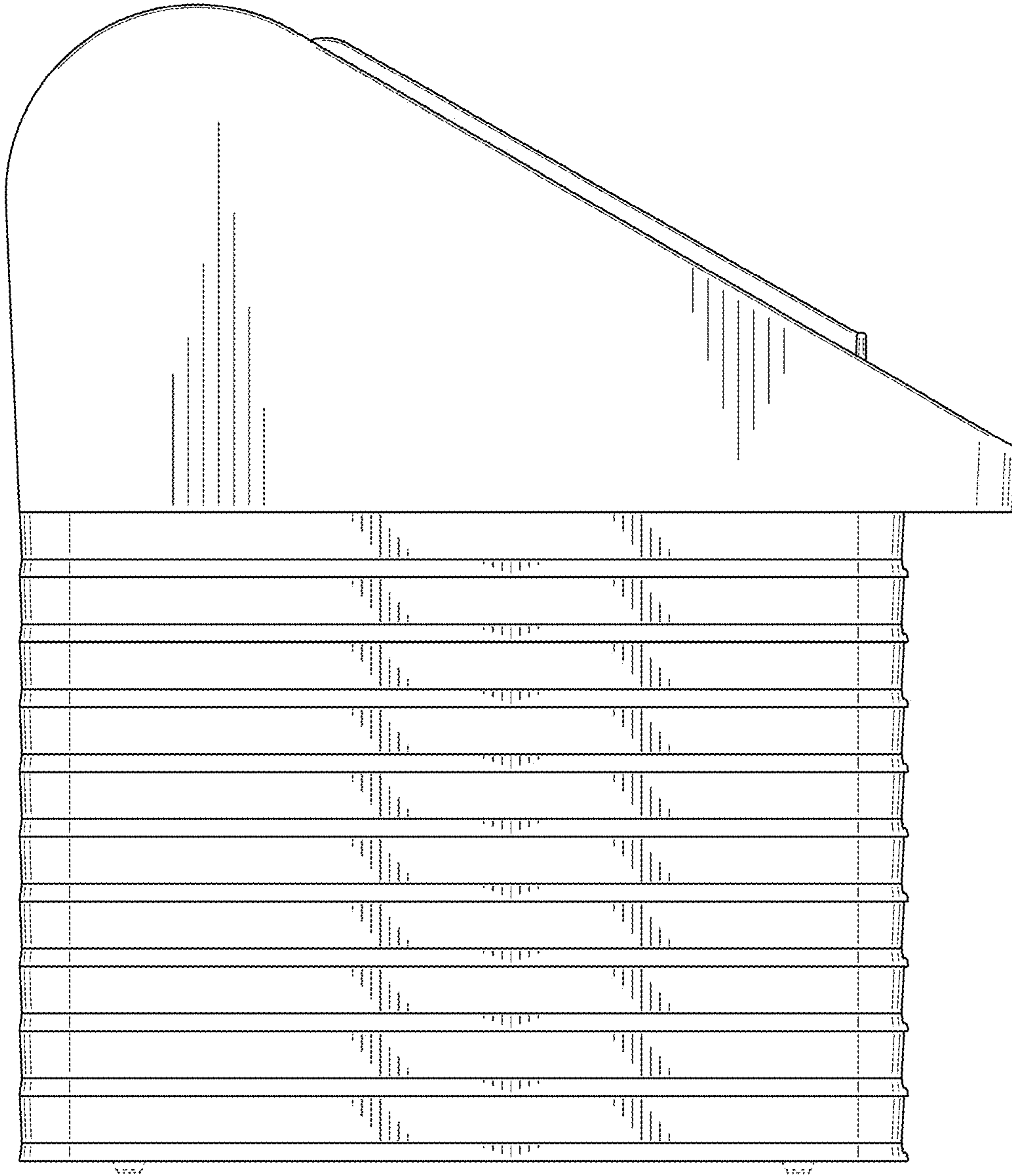


FIG. 6



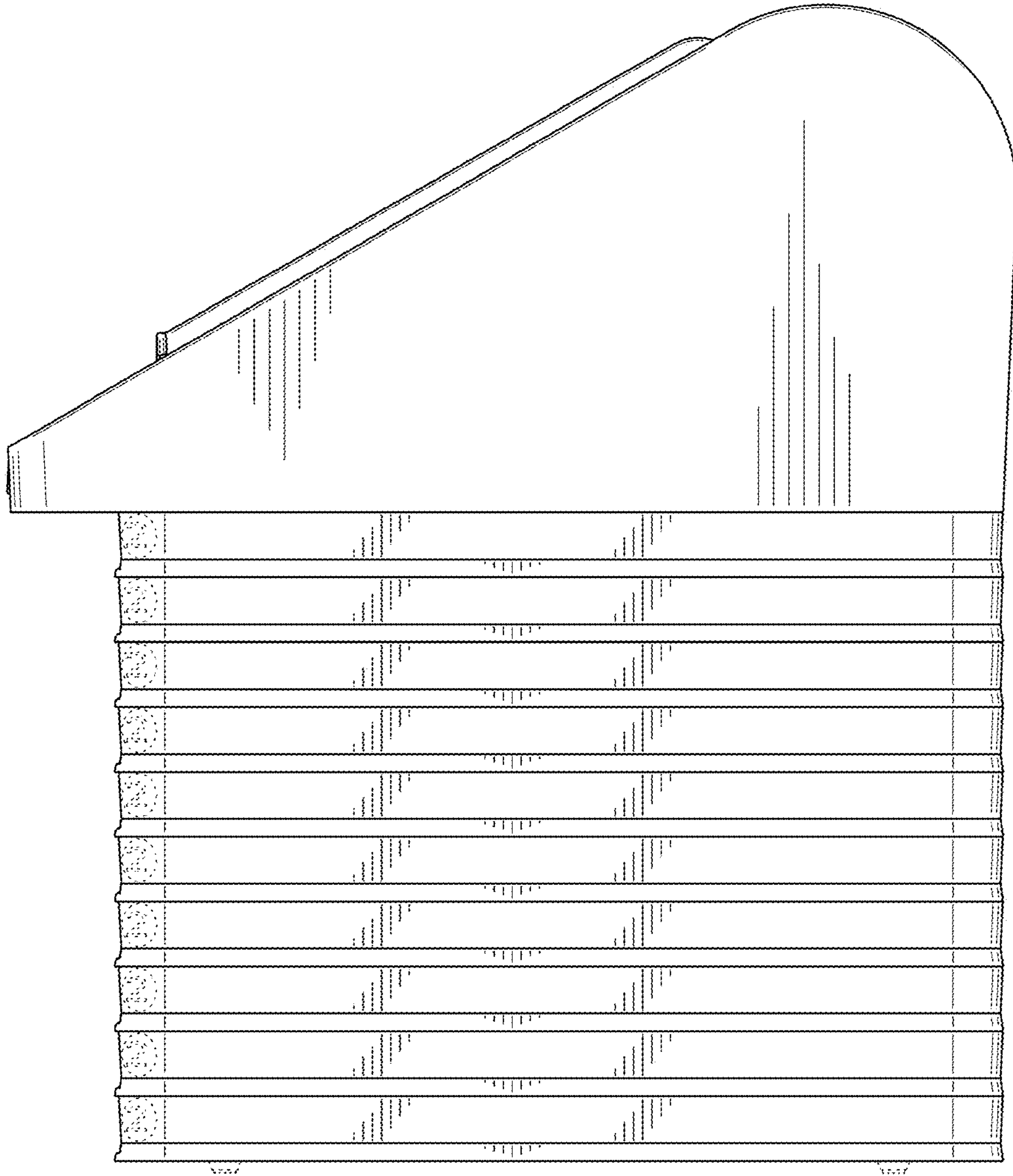


FIG. 7

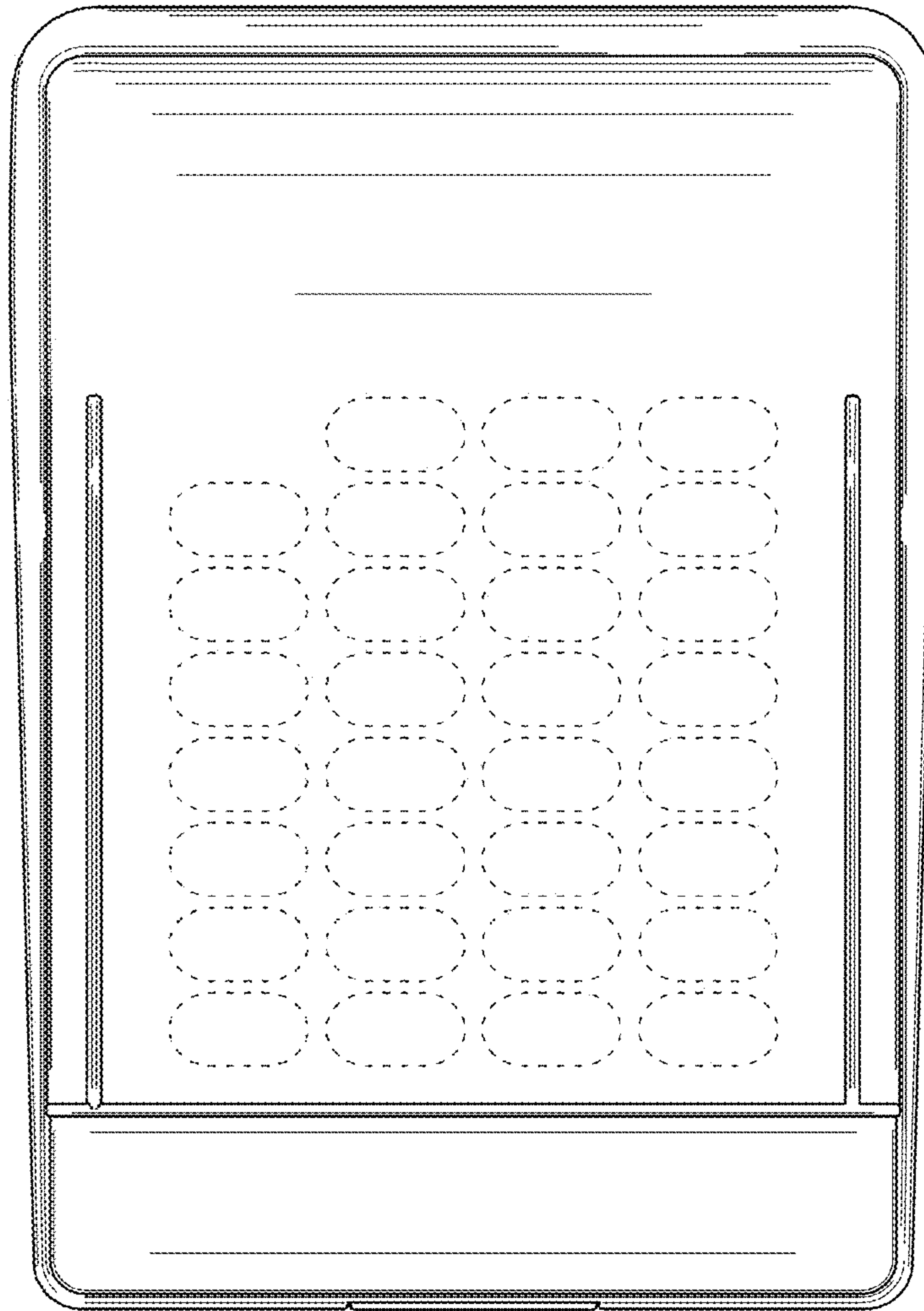


FIG. 8

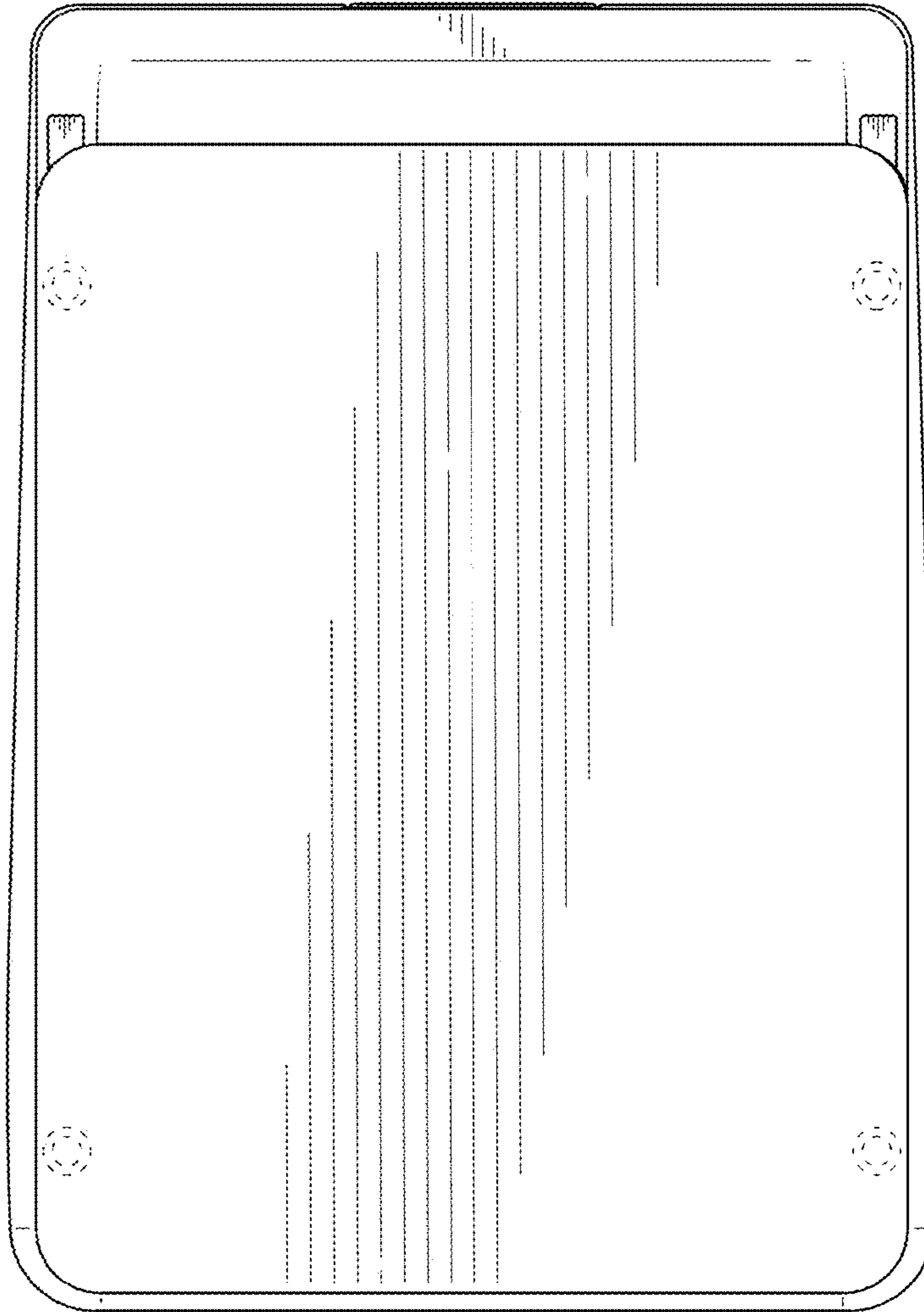


FIG. 9