



US0D1017935S

(12) **United States Design Patent**
Zhu

(10) **Patent No.:** **US D1,017,935 S**
(45) **Date of Patent:** **** Mar. 12, 2024**

(54) **STACKING KIT FOR WASHING MACHINE**

FOREIGN PATENT DOCUMENTS

(71) Applicant: **Xiangfu Zhu**, Ganzhou (CN)

WO D211774-001 * 6/2021

(72) Inventor: **Xiangfu Zhu**, Ganzhou (CN)

OTHER PUBLICATIONS

(**) Term: **15 Years**

Kiss Core 29 inch Stacking Kit for Washer and Dryer, available in Amazon.com, date first available Feb. 9, 2023 [online], [site visited Nov. 4, 2023], Available from the internet URL: <https://www.amazon.com/Kiss-Core-Stacking-Universal-Adjustable/dp/B0BVB5Z355> (Year: 2023).*

(21) Appl. No.: **29/914,403**

(22) Filed: **Oct. 17, 2023**

(51) **LOC (14) Cl.** **15-05**

(52) **U.S. Cl.**

USPC **D32/25**

(58) **Field of Classification Search**

USPC D32/1, 5-6, 8, 10, 25; D6/329, 512-513, D6/653.18, 654.18, 655.11, 655.18, D6/656.12, 656.13, 707.19, 708, 708.21, D6/718.11; D15/89

CPC D06F 29/00; D06F 81/06; D06F 39/125; D06F 1/02; F24C 15/08

See application file for complete search history.

(Continued)

Primary Examiner — Jennifer Rivard

Assistant Examiner — Jennylou M Binas

(74) *Attorney, Agent, or Firm* — George D. Morgan

(57) **CLAIM**

The ornamental design for a stacking kit for washing machine, as shown and described.

DESCRIPTION

(56) **References Cited**

U.S. PATENT DOCUMENTS

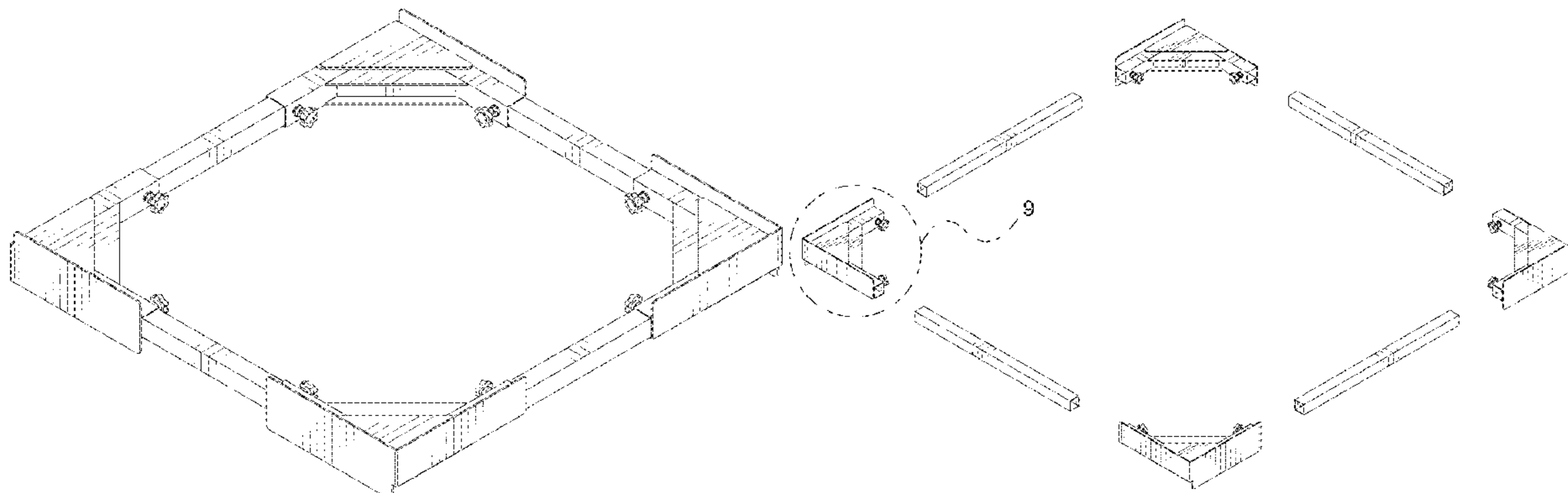
D44,584 S *	8/1913	Murphy	D6/707.19
D92,158 S *	5/1934	Blood	D15/89
2,104,938 A *	1/1938	Webb	A47L 15/0081
				D32/3
D206,999 S *	2/1967	Michaeli	D34/23
D263,192 S *	3/1982	LeVan	D7/630
D395,117 S *	6/1998	Persson	D34/38
5,941,616 A *	8/1999	Billingham	A47B 63/00
				312/111
D466,725 S *	12/2002	Masciale	D32/25
7,281,775 B2 *	10/2007	Yang	D06F 39/125
				312/348.1
7,685,848 B2 *	3/2010	Jeong	D06F 29/00
				68/3 R
D617,582 S *	6/2010	Zalewski	D6/708
D634,567 S *	3/2011	Zalewski	D6/708

(Continued)

FIG. 1 is a top front left perspective view of a stacking kit for washing machine, showing my new design;
FIG. 2 is a front view thereof;
FIG. 3 is a rear view thereof;
FIG. 4 is a left side view thereof;
FIG. 5 is a right side view thereof;
FIG. 6 is a top view thereof;
FIG. 7 is a bottom view thereof;
FIG. 8 is an exploded view of the top front right perspective view of a stacking kit for washing machine; and,
FIG. 9 is an enlarged detail view of area designated 9 in FIG. 8.

The broken lines shown in the FIG. 8 is for the purpose of illustrating the cutoff boundaries for the enlarged detailed portion view and form no part of the claimed design.

1 Claim, 9 Drawing Sheets



(56)

References Cited

U.S. PATENT DOCUMENTS

8,245,999 B2 * 8/2012 Tartan D06F 29/00
 68/3 R
 D700,792 S * 3/2014 Melton D6/675
 8,672,426 B2 * 3/2014 Heo D06F 29/00
 312/111
 8,973,414 B2 * 3/2015 Bae D06F 58/203
 68/13 A
 D798,345 S * 9/2017 Maeda D15/89
 D804,118 S * 11/2017 Kim D32/25
 D854,764 S 7/2019 Park et al.
 D925,955 S * 7/2021 Greenwood D6/705
 D979,864 S * 2/2023 Kim D32/25
 11,629,444 B2 * 4/2023 Zhang D06F 31/00
 68/3 R
 2004/0263032 A1 * 12/2004 Cho A47B 67/04
 312/330.1
 2005/0139738 A1 * 6/2005 Hwang D06F 39/125
 248/300

OTHER PUBLICATIONS

Weccds Stainless Steel Drum Washing Machine Frame Base Wear-resistant Anti-skid Bracket, available in Amazon.sa, date first available Sep. 13, 2021[online], [site visited Nov. 4, 2023], Available from internet URL: <https://www.amazon.sa/-/en/Stainless-Washing-Wear-resistant-Anti-skid-Shockproof/dp/B09G32DDCD> (Year: 2021).*

Chinchilla Heavy Duty All Stainless Steel Mobile Fridge Stand Base, available in Amazon.com, date first available Sep. 21, 2022 [online], [site visited Nov. 4, 2023], Available from the internet URL: <https://www.amazon.com/CHINCHILLA-Stainless-Adjustable-Furniture-Refrigerator/dp/B0BFZTTWNS> (Year: 2022).*

* cited by examiner

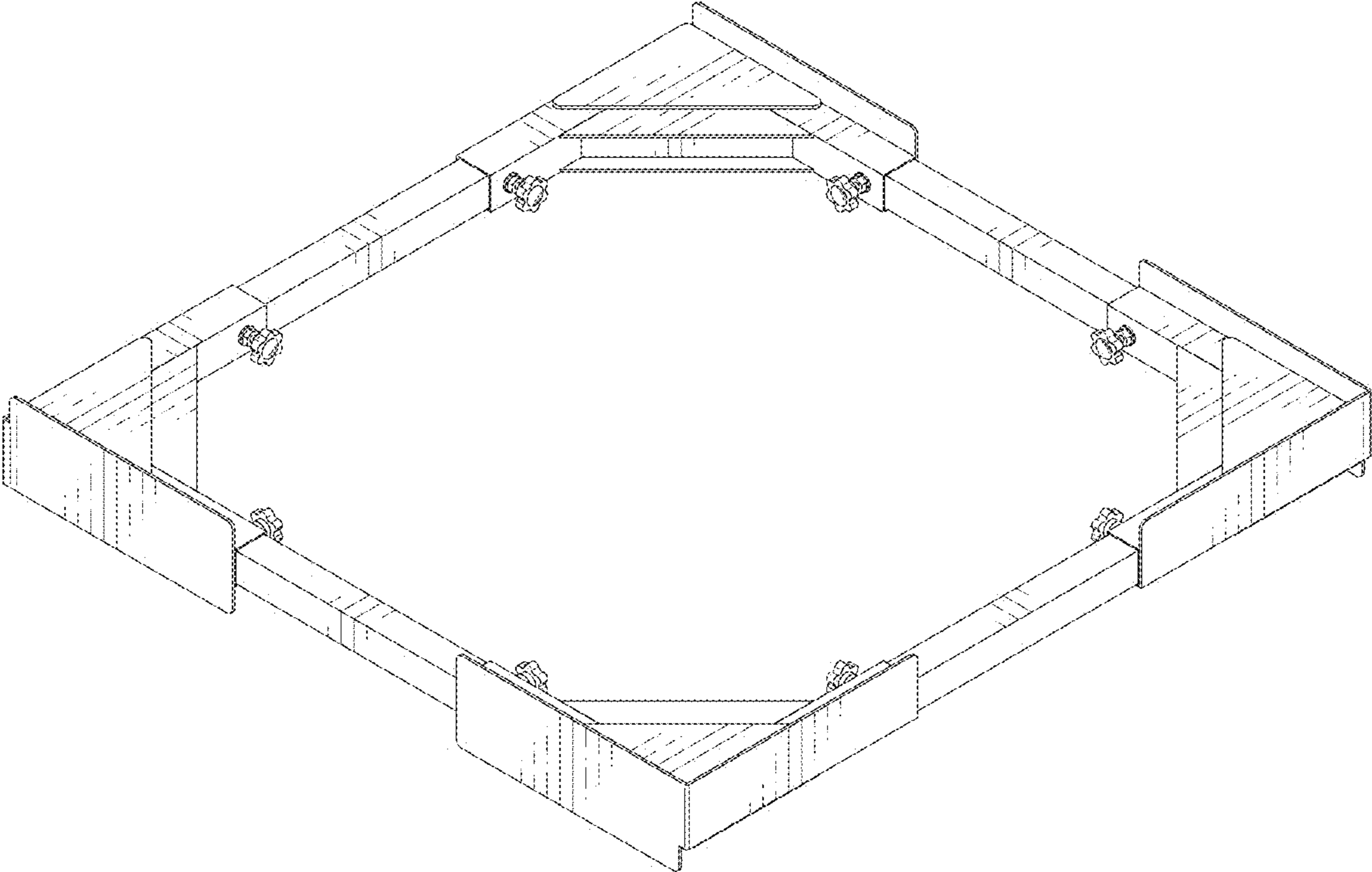


FIG. 1

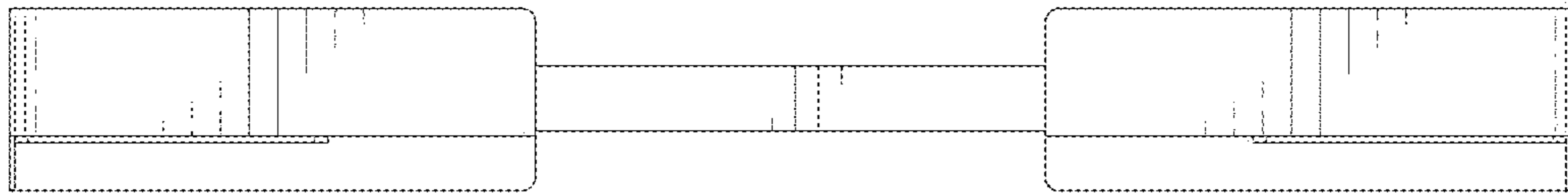


FIG. 2

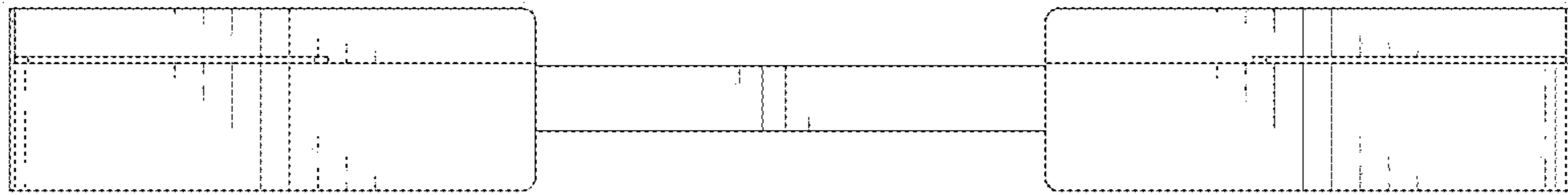


FIG. 3

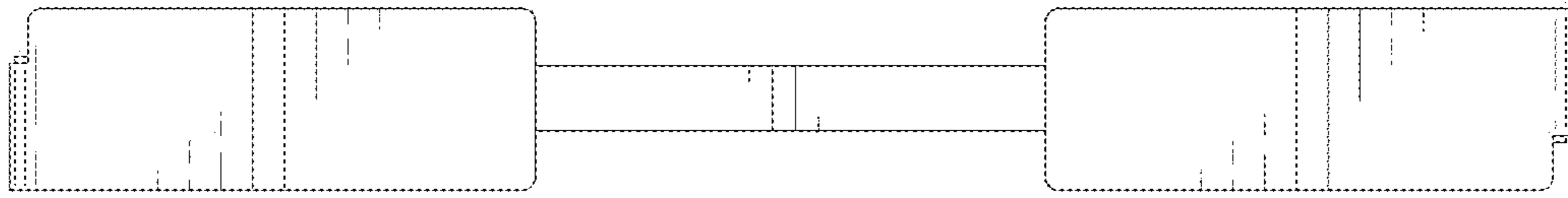


FIG. 4

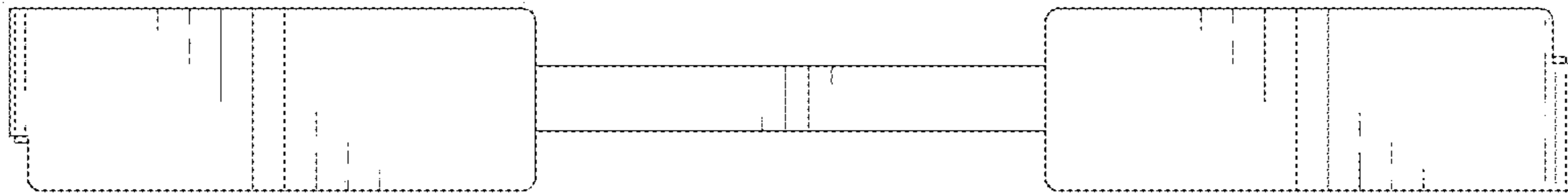


FIG. 5

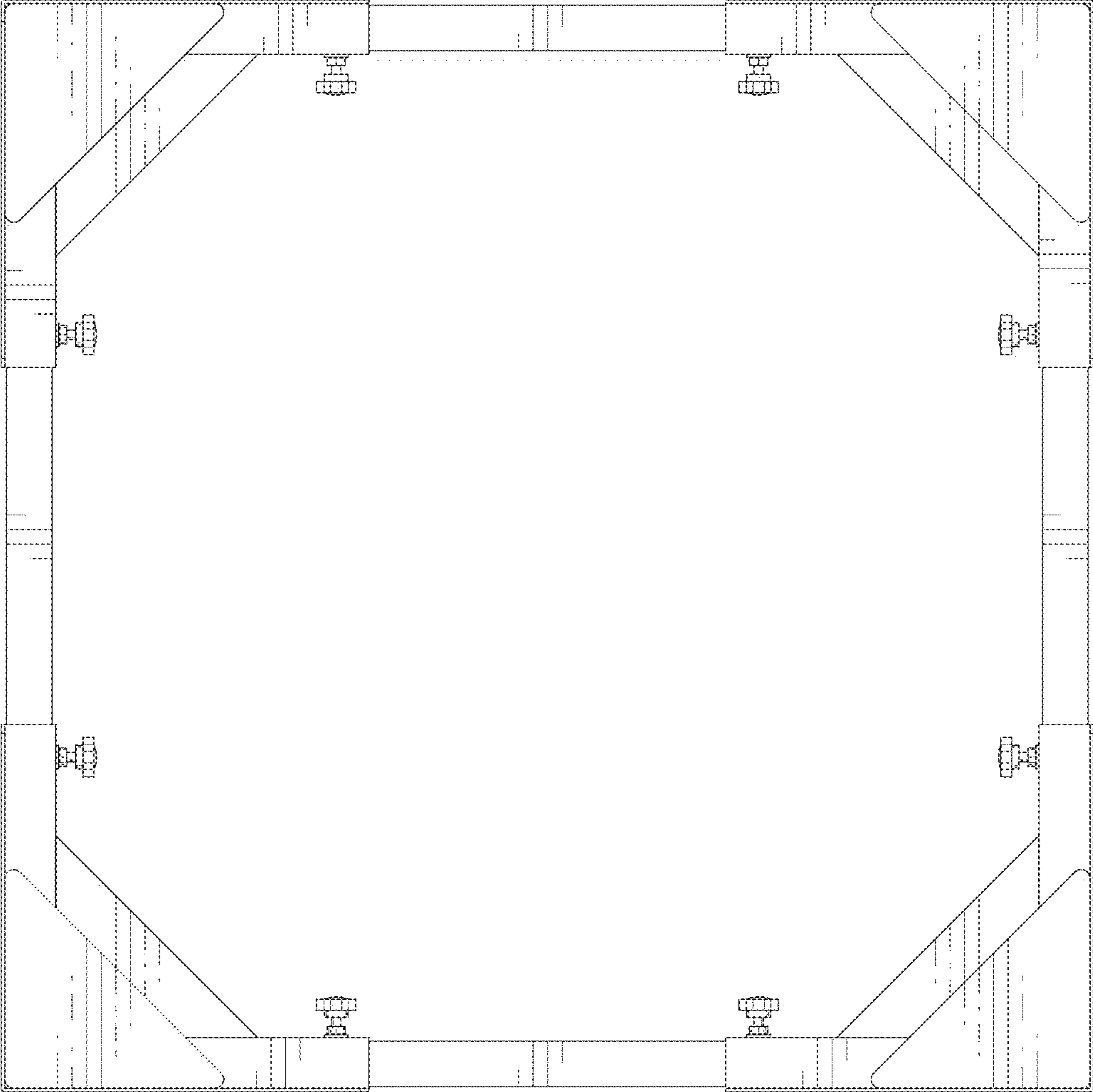


FIG. 6

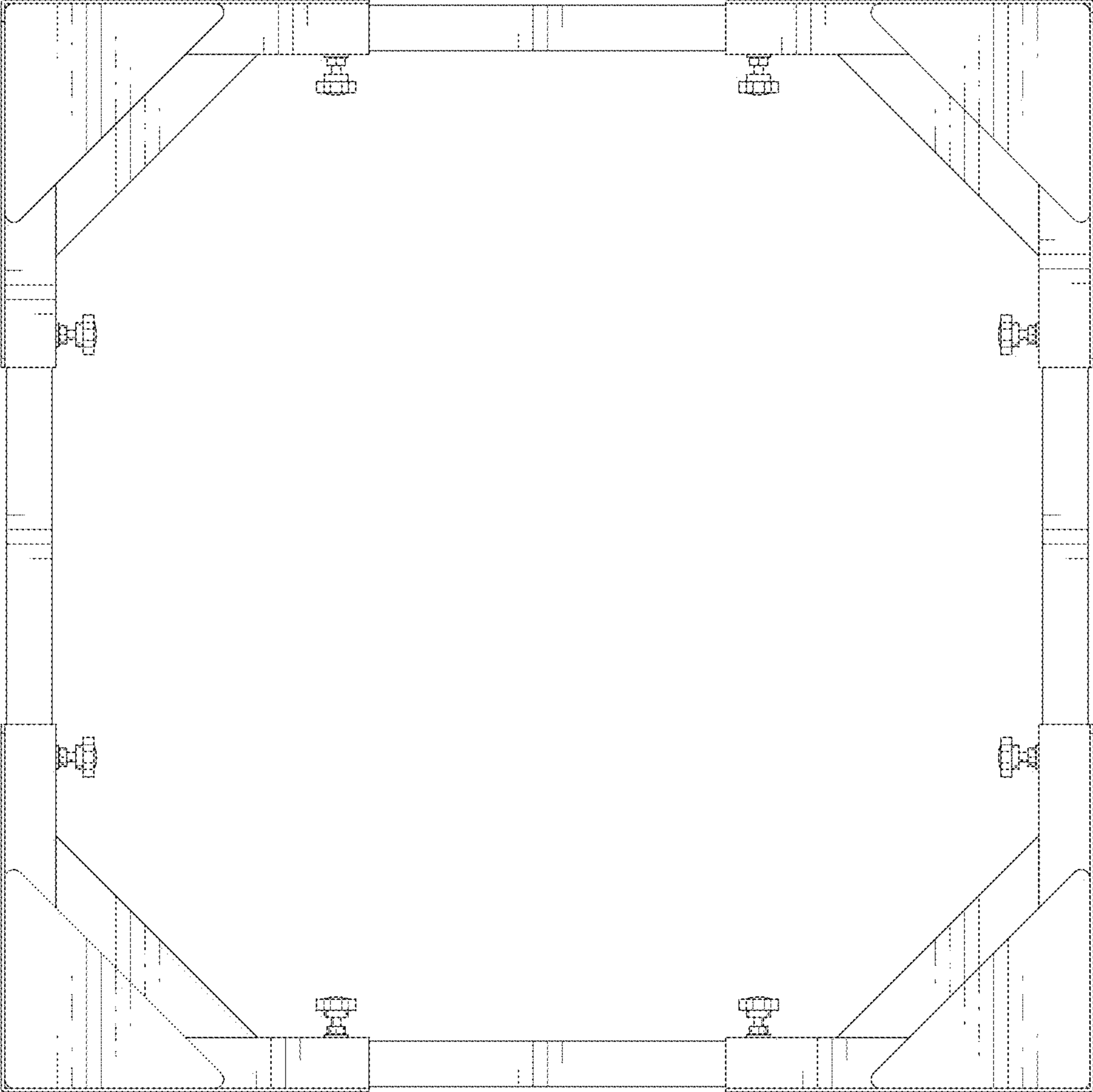


FIG. 7

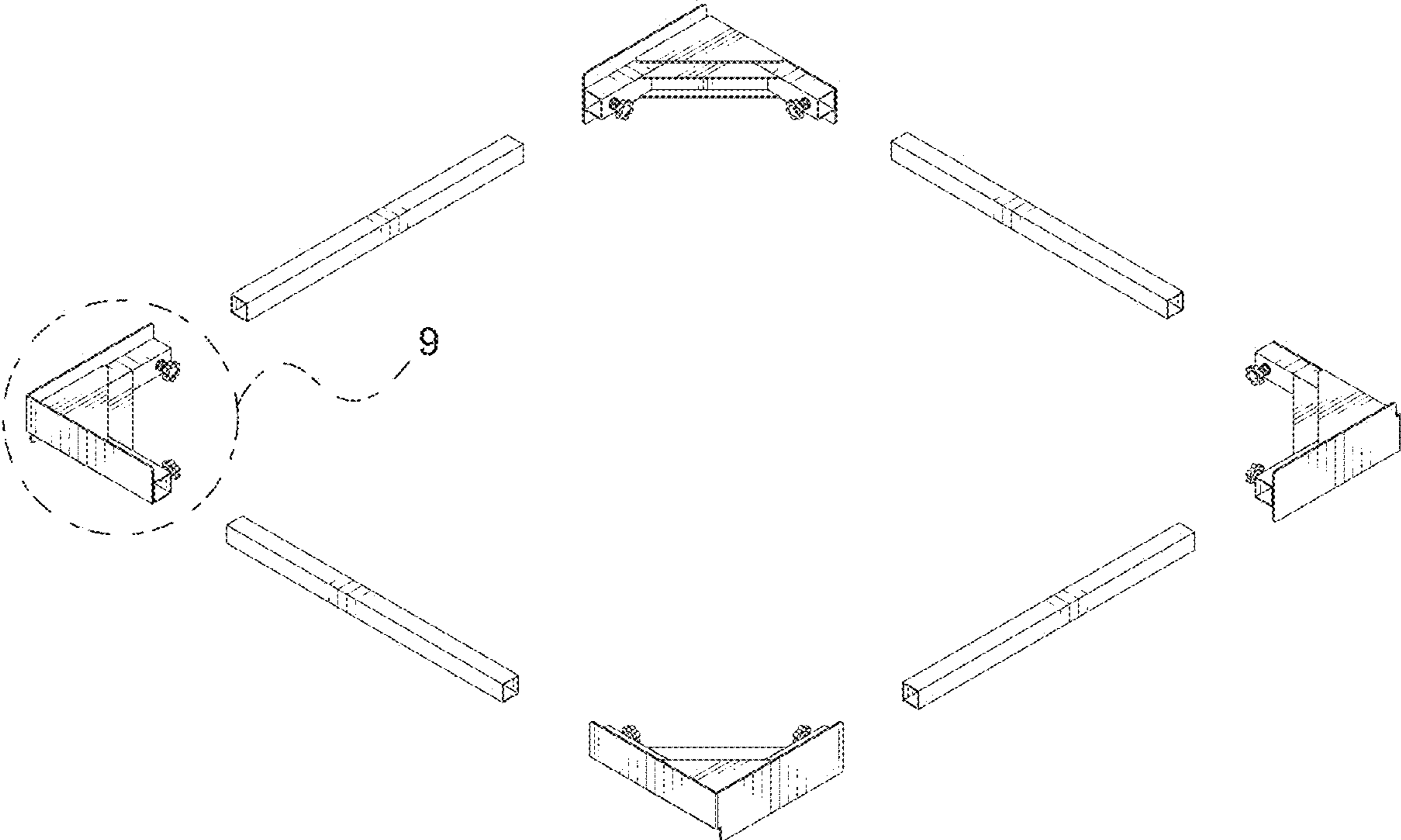


FIG. 8

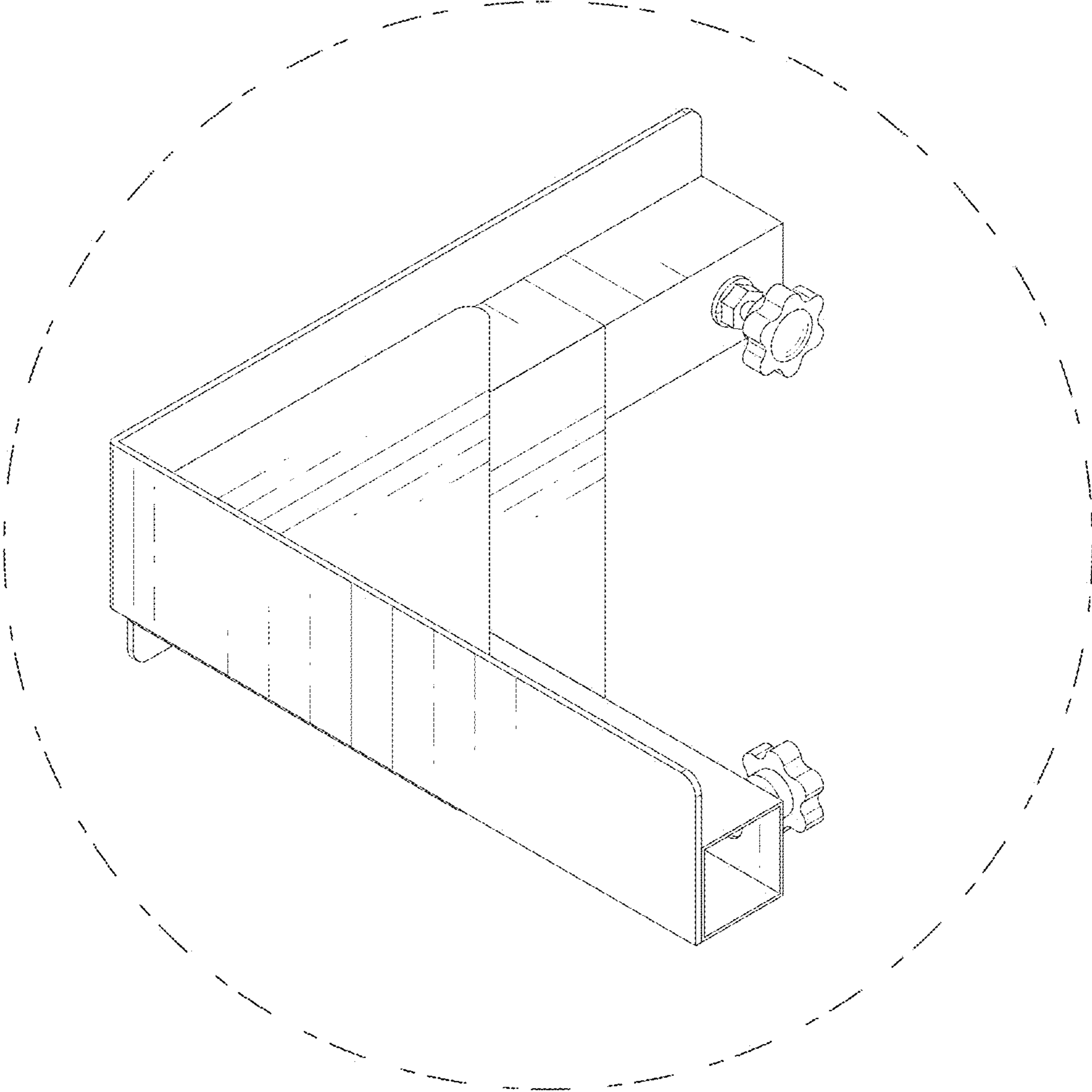


FIG. 9