



US0D1017929S

(12) **United States Design Patent** (10) **Patent No.:** **US D1,017,929 S**
Bu (45) **Date of Patent:** **** Mar. 12, 2024**

(54) **BARK TRAINING COLLAR**

(71) Applicant: **Lijun Bu**, Yangjiang (CN)

(72) Inventor: **Lijun Bu**, Yangjiang (CN)

(**) Term: **15 Years**

(21) Appl. No.: **35/516,323**

(22) Filed: **Nov. 25, 2022**

(80) **Hague Agreement Data**

Int. Filing Date: **Nov. 25, 2022**

Int. Reg. No.: **DM/226803**

Int. Reg. Date: **Nov. 25, 2022**

Int. Reg. Pub. Date: **Feb. 24, 2023**

(51) **LOC (14) Cl.** **30-99**

(52) **U.S. Cl.**

USPC **D30/199; D10/104.1**

(58) **Field of Classification Search**

USPC D30/151-155, 144, 199, 160;
119/792-798, 850, 855-859, 863-865,
119/654, 905, 907, 815, 712, 802, 784,
119/769, 760, 776, 862, 908, 860,
119/719-721; 242/381.1-381.2, 385.4,
242/378.3, 376.1, 385.1, 916, 601, 570,
242/405, 404, 371, 223, 170, 388.1,
242/405.2, 377, 381.3, 381.6, 405.3,
242/388.6, 384.7, 382, 396.1, 404.1, 380;
362/108; 33/767, 769, 414; D12/400;
D3/229, 230, 207, 208, 215; 40/1.5, 455,
40/640, 303; 206/63.3, 459.5, 702, 408;
D6/515; D8/358, 360, 347, 360.1, 359,
D8/356, DIG. 1; D24/145, 167, 186, 146,
D24/169; D10/57, 72, 106.1, 104.1,
D10/104.2, 109.2, 70, 97, 98, 78, 65;
D20/28; 224/666, 678; 16/445; 283/74,
283/70; D11/232, 200, 216, 1, 2, 86, 87,
D11/201, 206-210, 212-215, 218;
24/163 K, 122.3, 323, 702, 600.4-600.7,
24/163 R, 169-171, 173, 177-179, 191,

24/194, 195, 197, 200, 303, 616, 635,
24/313, 615, 3, 6, 3 K, 599.2, 96, 221,
24/237, 311, 312, 314, 321, 338, 339,
24/309; 428/3, 4; 54/76, 1, 71; 63/29.1,
63/3; 191/12.2 R, 12.4; D13/154, 153,
D13/137.4, 155, 103, 168; D19/69, 67;
379/438; 446/26; 473/576; D22/140;
174/135; 439/504, 13, 501; D34/33;
188/83, 82.1, 65.1; 254/134.3 FT;
D29/124; D2/627, 624, 633, 625;
132/145, 146, 148; 2/314; 59/79.1;
340/573.3, 573.1, 573, 573.4,
340/539.13-539.19; 343/895;
278/8 AES; 231/7; 361/232; D14/344,
(Continued)

(56) **References Cited**

U.S. PATENT DOCUMENTS

D631,552 S * 1/2011 Kasabach D24/186
7,996,983 B2 * 8/2011 Lee, IV A01K 27/009
29/595

(Continued)

Primary Examiner — Susan Moon Lee

(74) *Attorney, Agent, or Firm* — Daniel M. Cohn;
Howard M. Cohn

(57) **CLAIM**

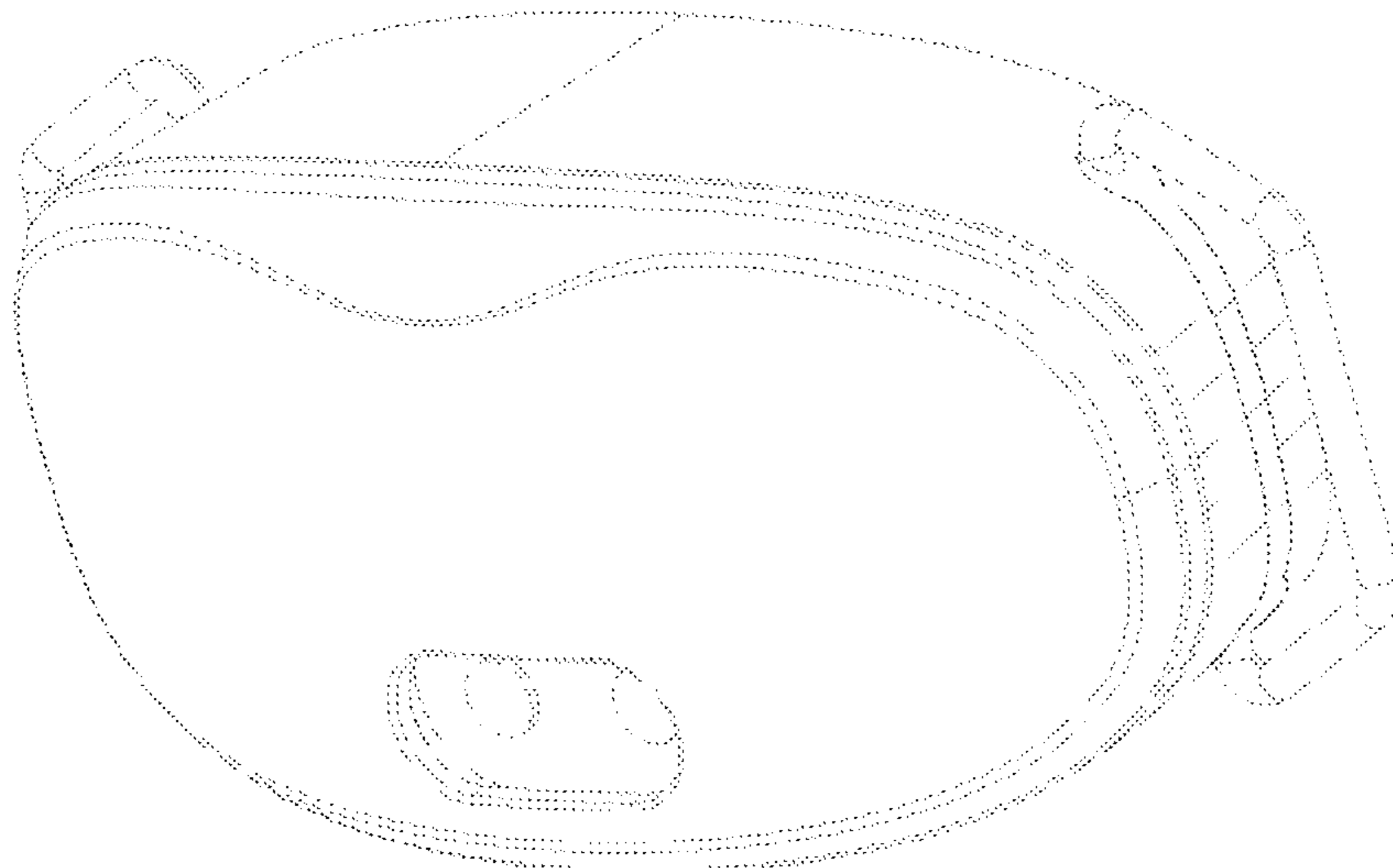
The ornamental design for a bark training collar, as shown
and described.

DESCRIPTION

1. Bark training collar

FIG. 1.1 is a front perspective view of a bark training collar,
showing my new design; FIG. 1.2 is a rear perspective view
thereof; FIG. 1.3 is a front view thereof; FIG. 1.4 is a rear
view thereof; FIG. 1.5 is a left side view thereof; FIG. 1.6
is a right side view thereof; FIG. 1.7 is a top view thereof;
and, FIG. 1.8 is a bottom view thereof.

1 Claim, 8 Drawing Sheets



US D1,017,929 S

Page 2

(58) **Field of Classification Search**

USPC D14/341, 137, 155, 496, 203.5, 203.3,
D14/144, 218, 188, 216, 192;
342/357.51, 357.57, 357.52, 357.55;
455/100, 352, 456.1, 550.1; 315/291
CPC A01K 15/021; A01K 15/02; A01K 15/022;
A01K 15/023; A01K 15/029; A01K
15/04; A01K 15/00; A01K 15/006; A01K
12/022; A01K 27/009; A01K 27/00;
A01K 27/001; A01K 27/006-008; A01K
29/005; A01K 29/00; A61B 5/0002-0028;
A61B 5/681; A61B 5/6822; A61B
5/6824; A61B 5/6829; G01S 5/0294

See application file for complete search history.

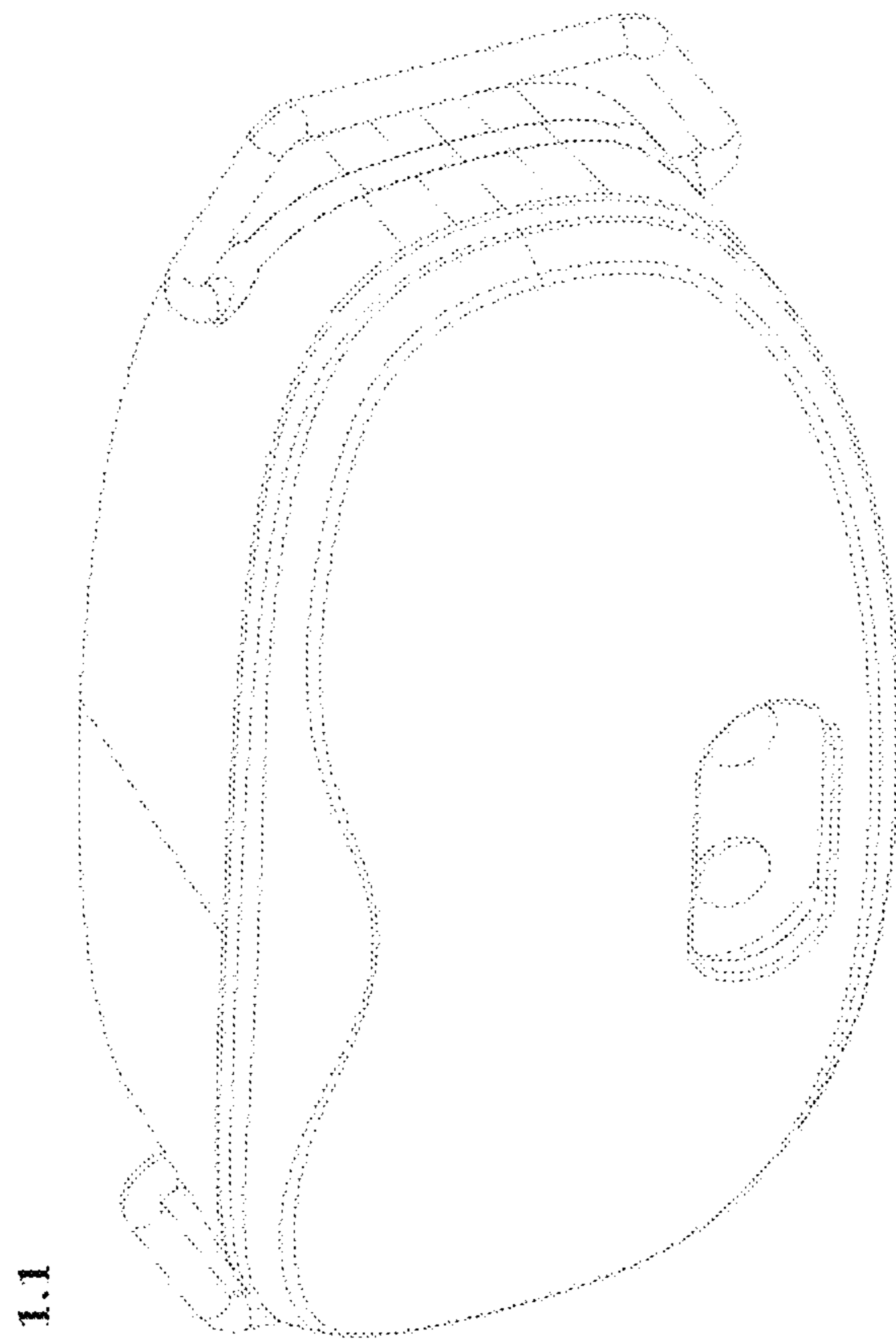
(56) **References Cited**

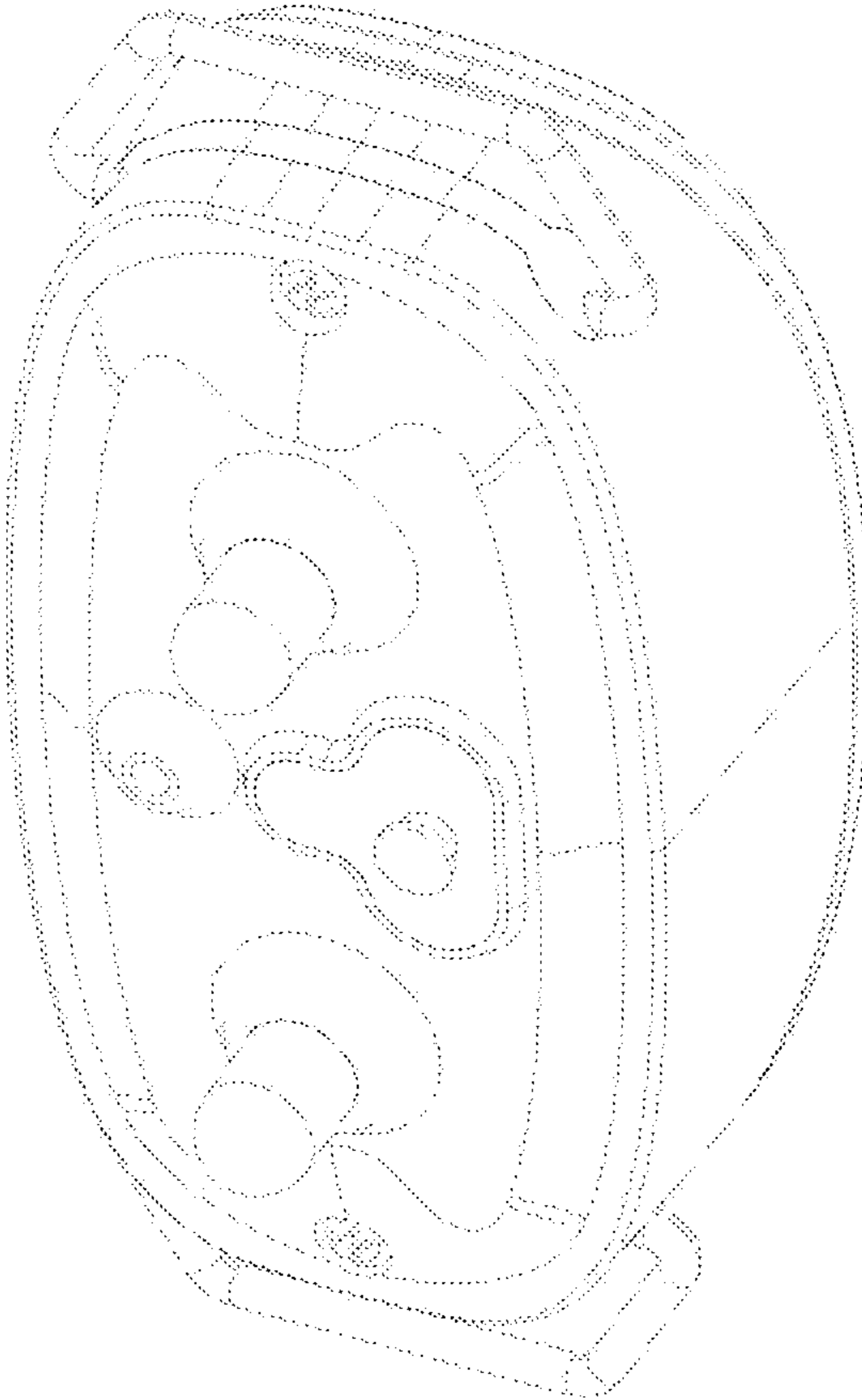
U.S. PATENT DOCUMENTS

D710,228 S * 8/2014 Burke D10/104.1
9,861,080 B1 * 1/2018 Hathway A01K 27/001

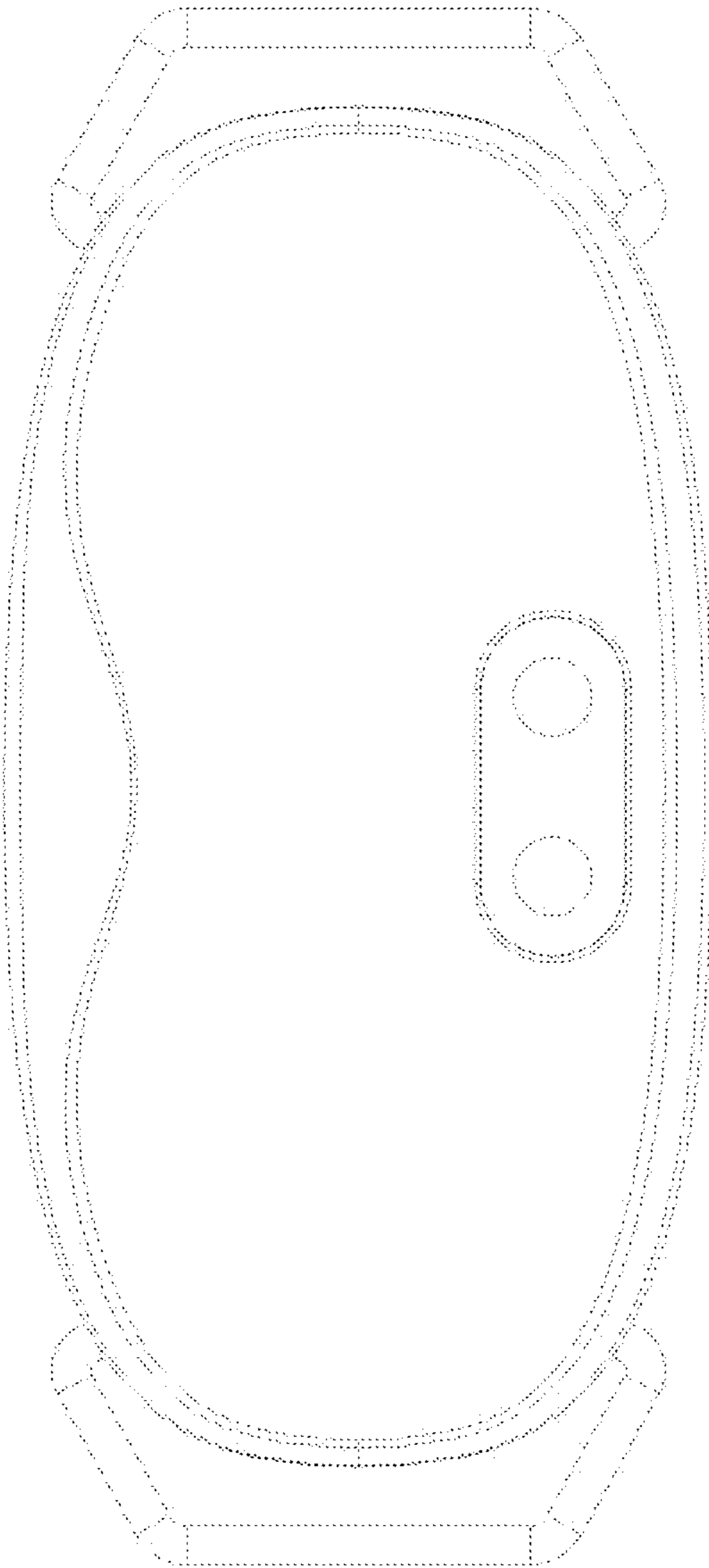
D817,557 S * 5/2018 Liu D30/152
D822,921 S * 7/2018 Wen D30/199
D822,922 S * 7/2018 Wen D30/152
D898,307 S * 10/2020 Yang D10/104.1
D898,308 S * 10/2020 Yang D10/104.1
D898,613 S * 10/2020 Stapleton D11/216
D929,051 S * 8/2021 Li D10/104.1
D943,845 S * 2/2022 Li D10/104.1
D947,465 S * 3/2022 Yi D30/152
D948,814 S * 4/2022 Jin D10/104.1
D948,816 S * 4/2022 Jin D10/104.1
D957,763 S * 7/2022 Jia D10/104.1
D972,236 S * 12/2022 Liang D10/104.1
D984,070 S * 4/2023 Yang D10/104.1
D987,920 S * 5/2023 Xia D10/104.1
D1,001,398 S * 10/2023 Lan D10/104.1
D1,002,129 S * 10/2023 Xiong D10/104.1
D1,004,230 S * 11/2023 Huang D10/104.1
D1,006,354 S * 11/2023 Yuan D10/104.1
2020/0015456 A1 * 1/2020 Van Curen A01K 15/022

* cited by examiner

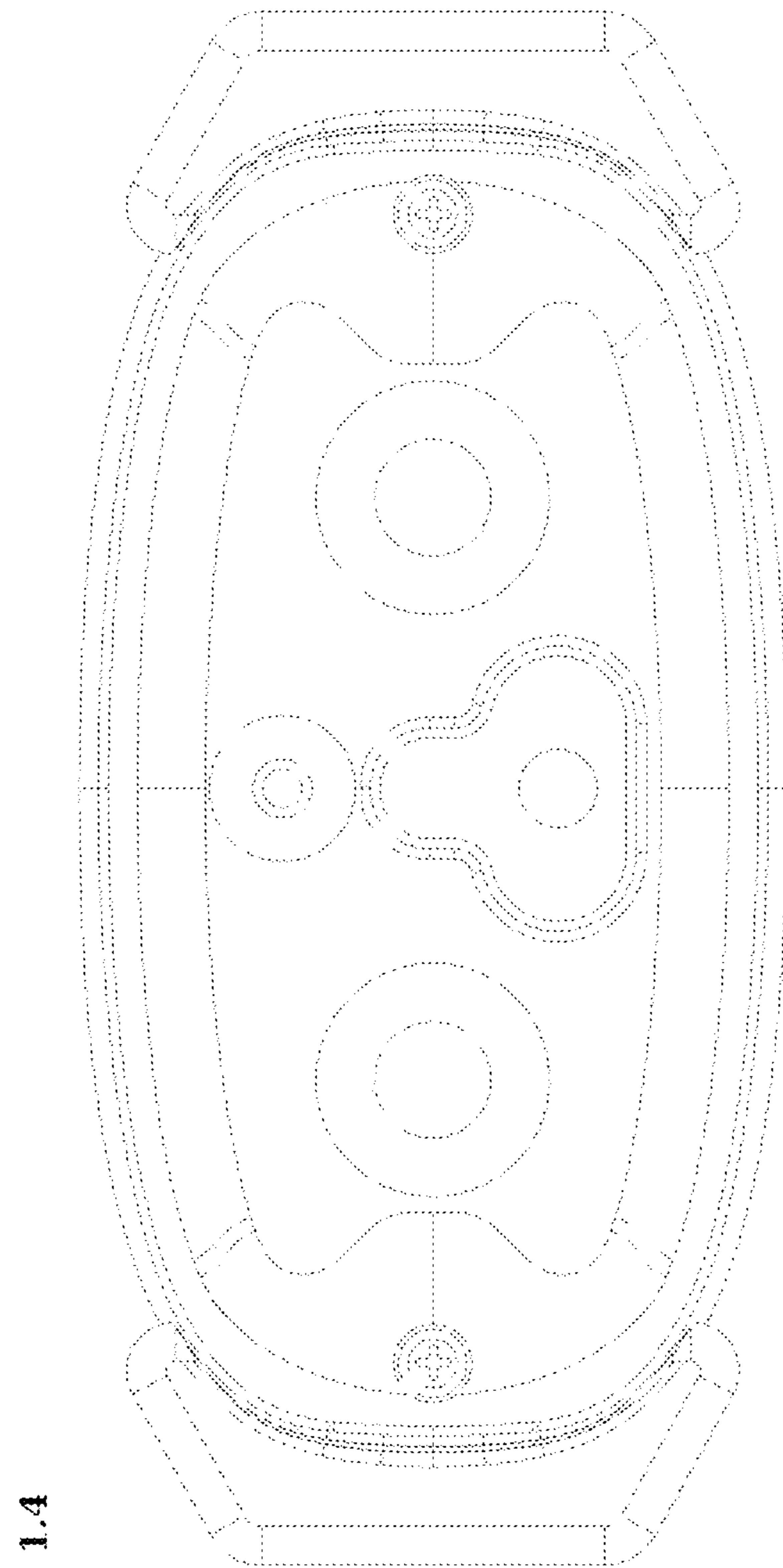




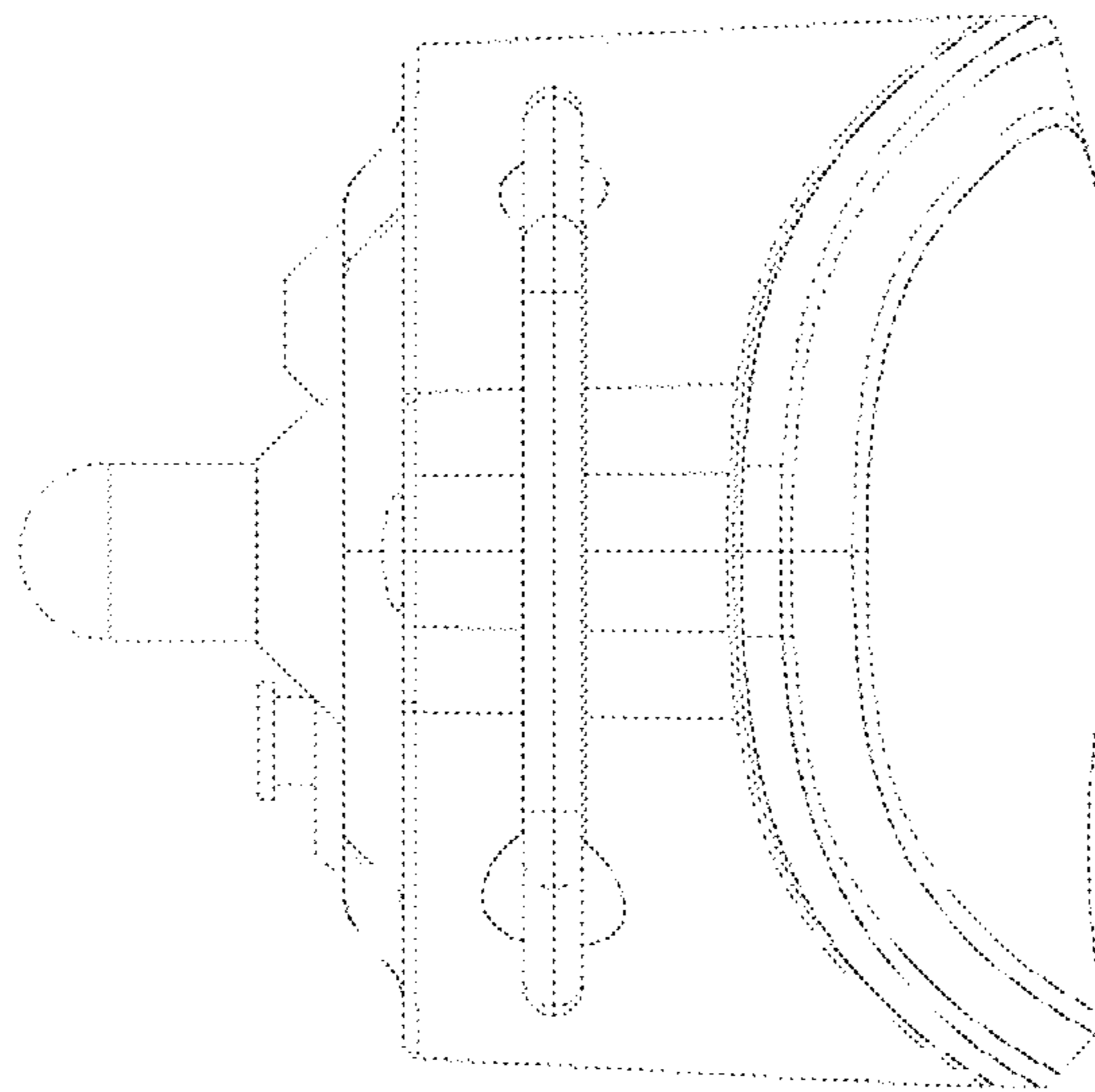
1.2



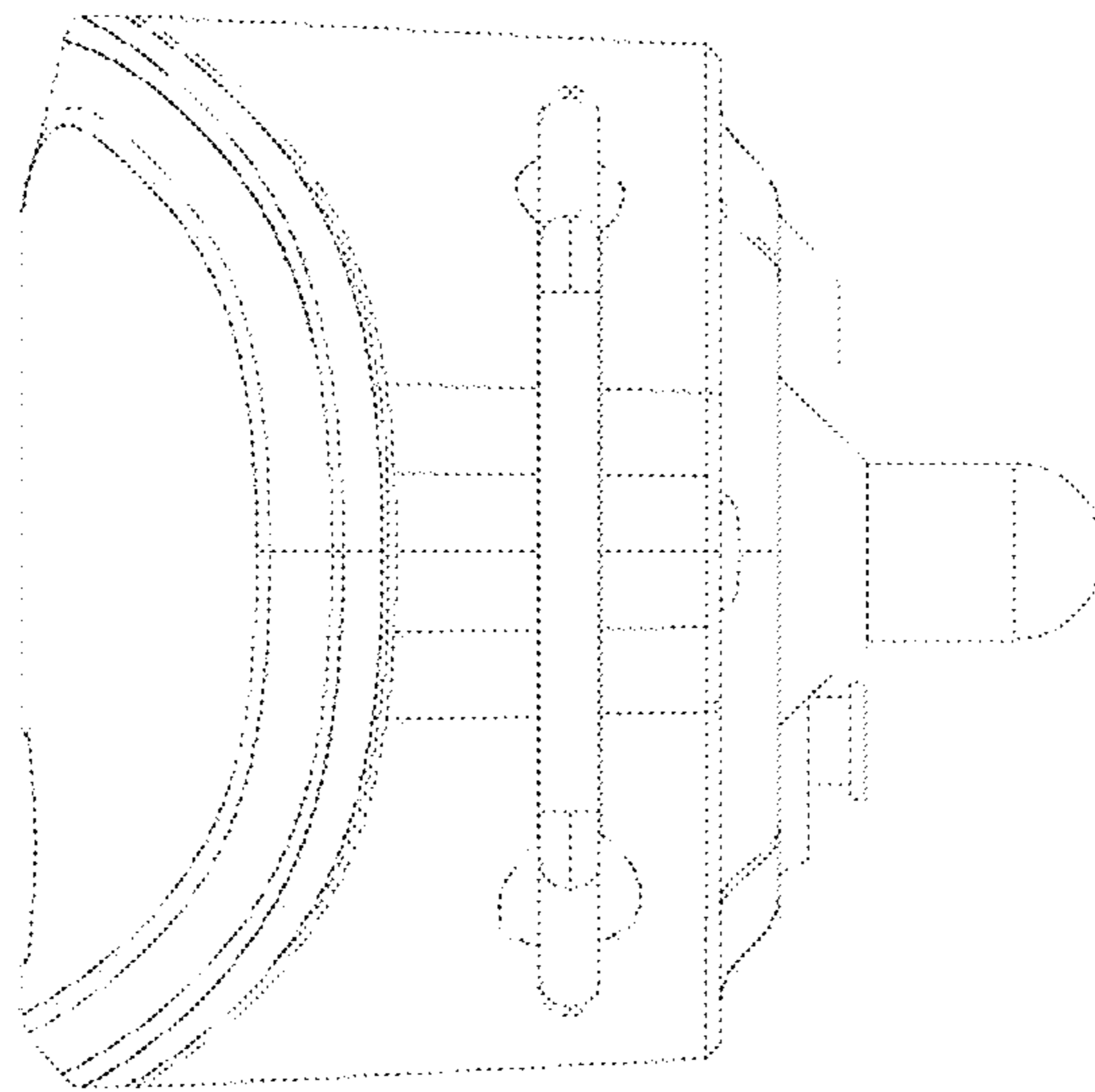
1.3

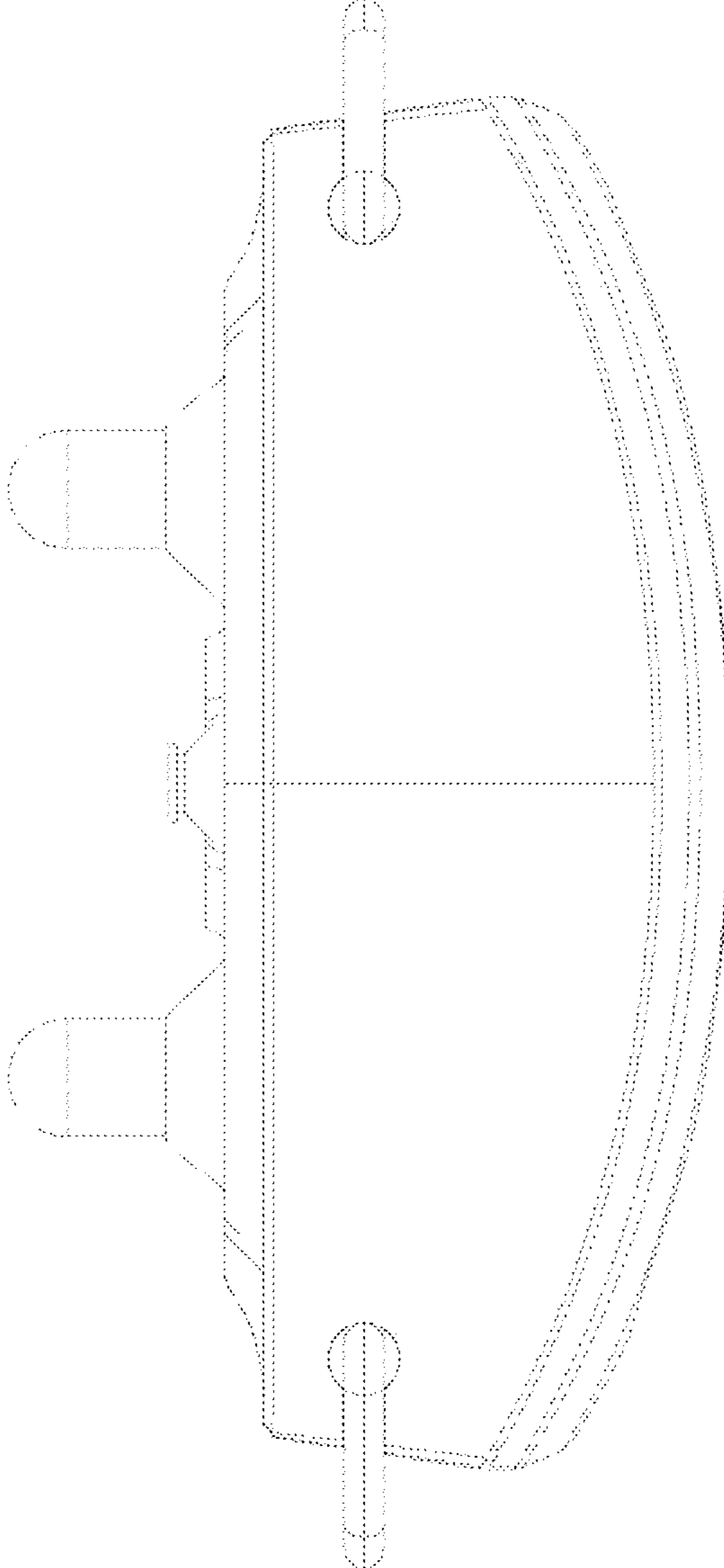


1.5

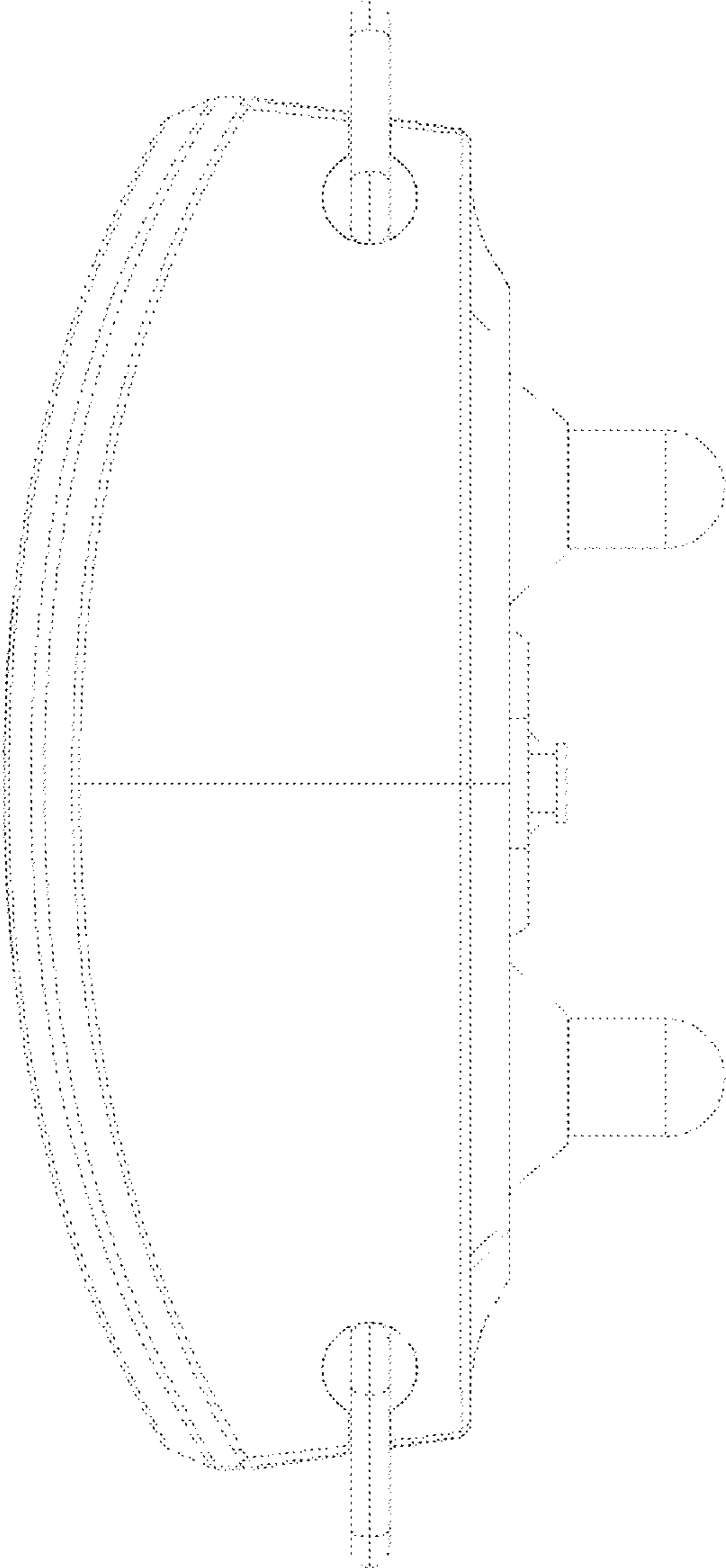


1.6





1.7



1.8