



US0D1017909S

(12) **United States Design Patent** (10) **Patent No.:** **US D1,017,909 S**
Xie (45) **Date of Patent:** **** Mar. 12, 2024**

(54) **WIG STAND**

(71) Applicant: **Jinhua Xie**, Guangdong (CN)

(72) Inventor: **Jinhua Xie**, Guangdong (CN)

(**) Term: **15 Years**

(21) Appl. No.: **29/912,594**

(22) Filed: **Sep. 20, 2023**

(51) **LOC (14) Cl.** **28-04**

(52) **U.S. Cl.**
USPC **D28/93**

(58) **Field of Classification Search**
USPC D28/93; D20/10; D6/462, 682.1
CPC A45D 44/14; A47F 7/06
See application file for complete search history.

(56) **References Cited**

U.S. PATENT DOCUMENTS

2,094,810	A *	10/1937	Oppenheimer	A47F 7/06
					33/8
3,820,694	A *	6/1974	Pabis	A47F 5/04
					248/200.1
D351,745	S *	10/1994	Seifert	D6/682.6
D842,549	S *	3/2019	Ndu	D28/93
D863,688	S *	10/2019	Ndu	D28/93
D911,620	S *	2/2021	Riddick	D28/93
11,304,498	B2 *	4/2022	Duffus	A47B 45/00
D950,989	S *	5/2022	Hunt	D28/93

OTHER PUBLICATIONS

Jinhua Xie, Wig stand <https://www.amazon.com/dp/B0BN2VJ43M?th=1>.

* cited by examiner

Primary Examiner — Zenia I Bennett

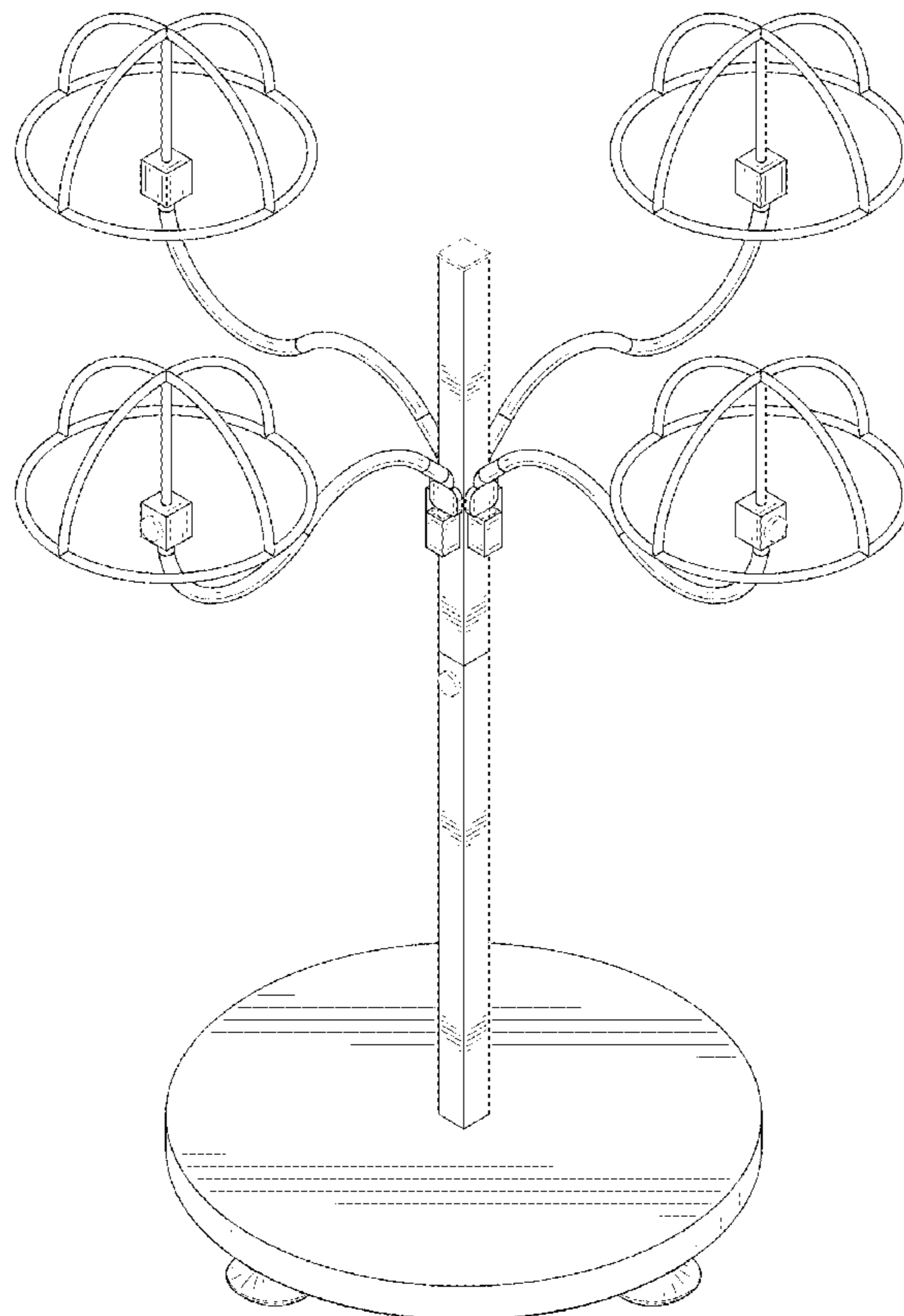
(57) **CLAIM**

The ornamental design for a wig stand, as shown and described.

DESCRIPTION

FIG. 1 is a front, top perspective view of a wig stand, showing my new design;
FIG. 2 is a rear, bottom perspective view thereof;
FIG. 3 is a front elevation view thereof;
FIG. 4 is a rear elevation view thereof;
FIG. 5 is a left side elevation view thereof;
FIG. 6 is a right side elevation view thereof;
FIG. 7 is a top plan view thereof;
FIG. 8 is a bottom plan view thereof; and,
FIG. 9 is an enlarged view of detail "9" identified in FIG. 2. The dashed lines in the figures illustrate portions of the wig stand that form no part of the claimed design. The dash dot dash lines in FIGS. 2 and 9 are for the purpose of illustrating the enlarged view indicators and form no part of the claimed design.

1 Claim, 9 Drawing Sheets



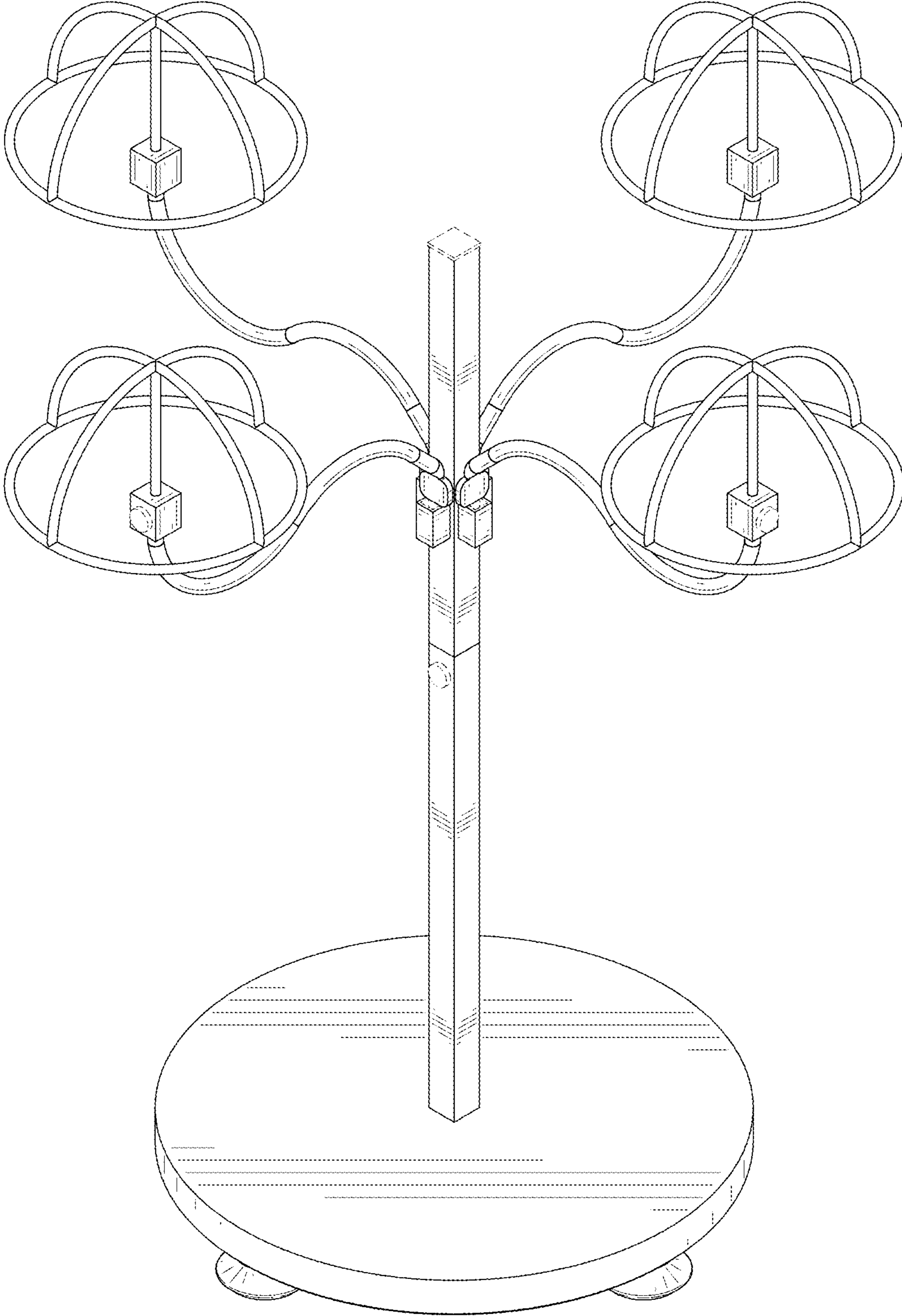


FIG. 1

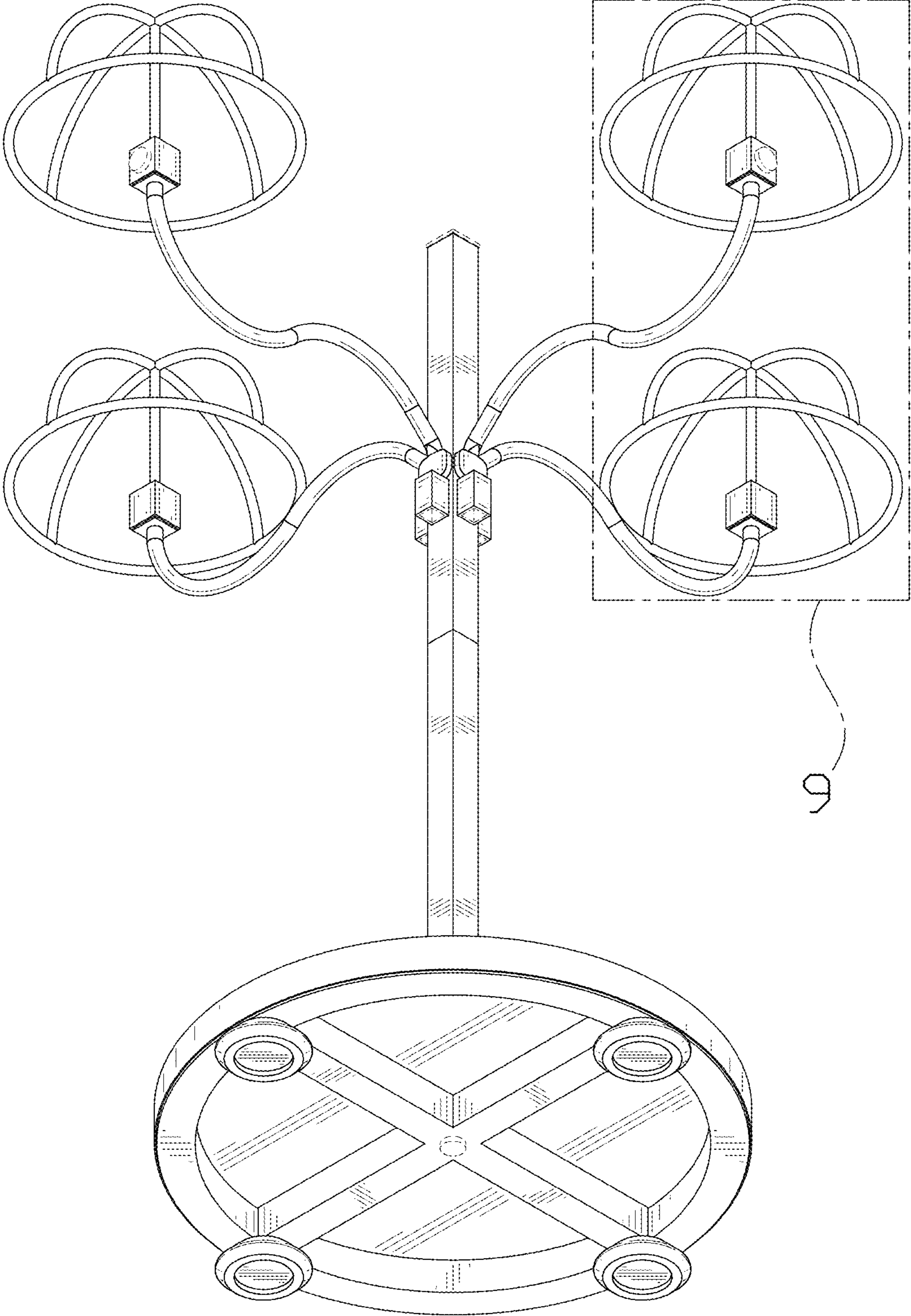


FIG. 2

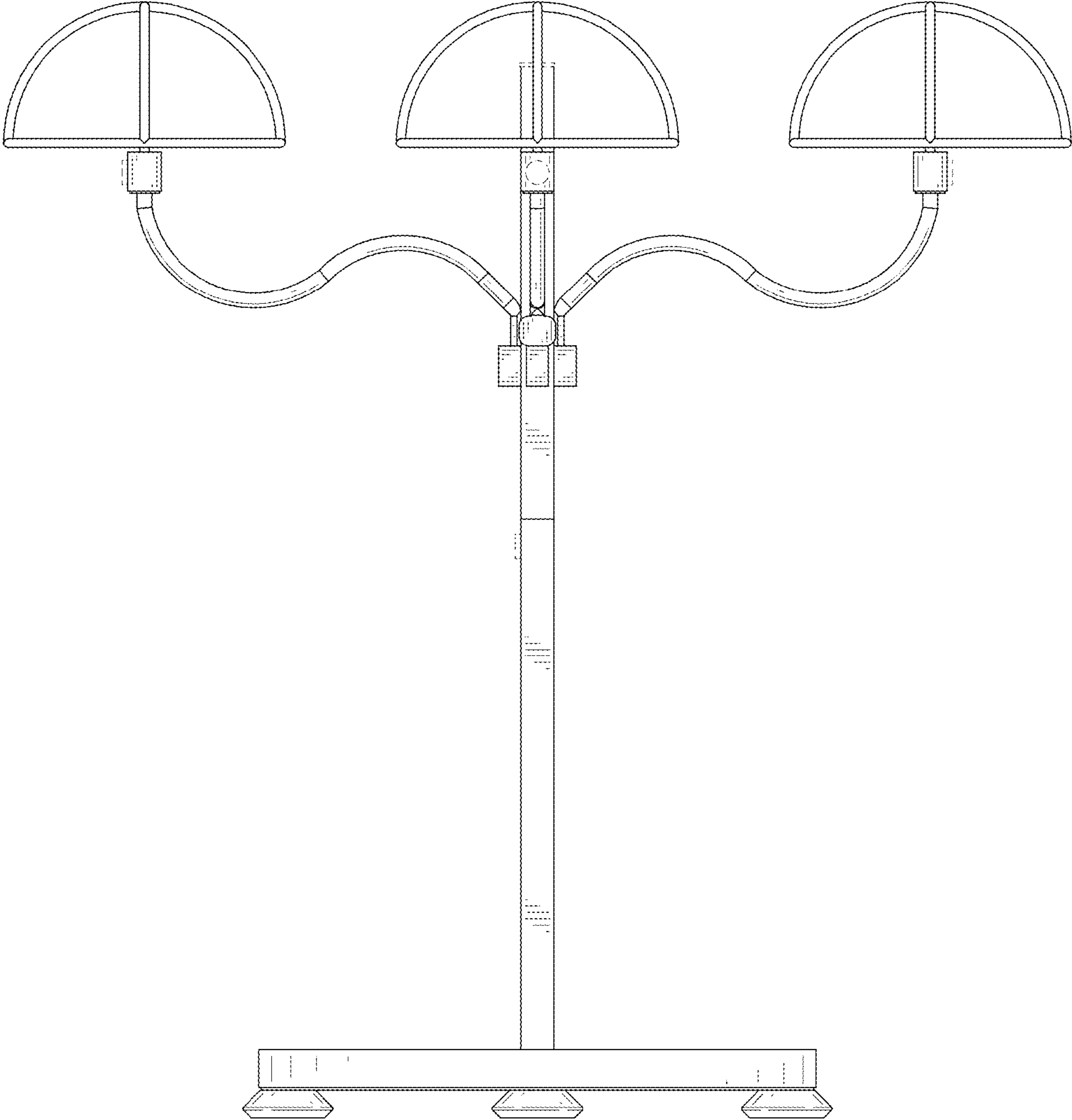


FIG. 3

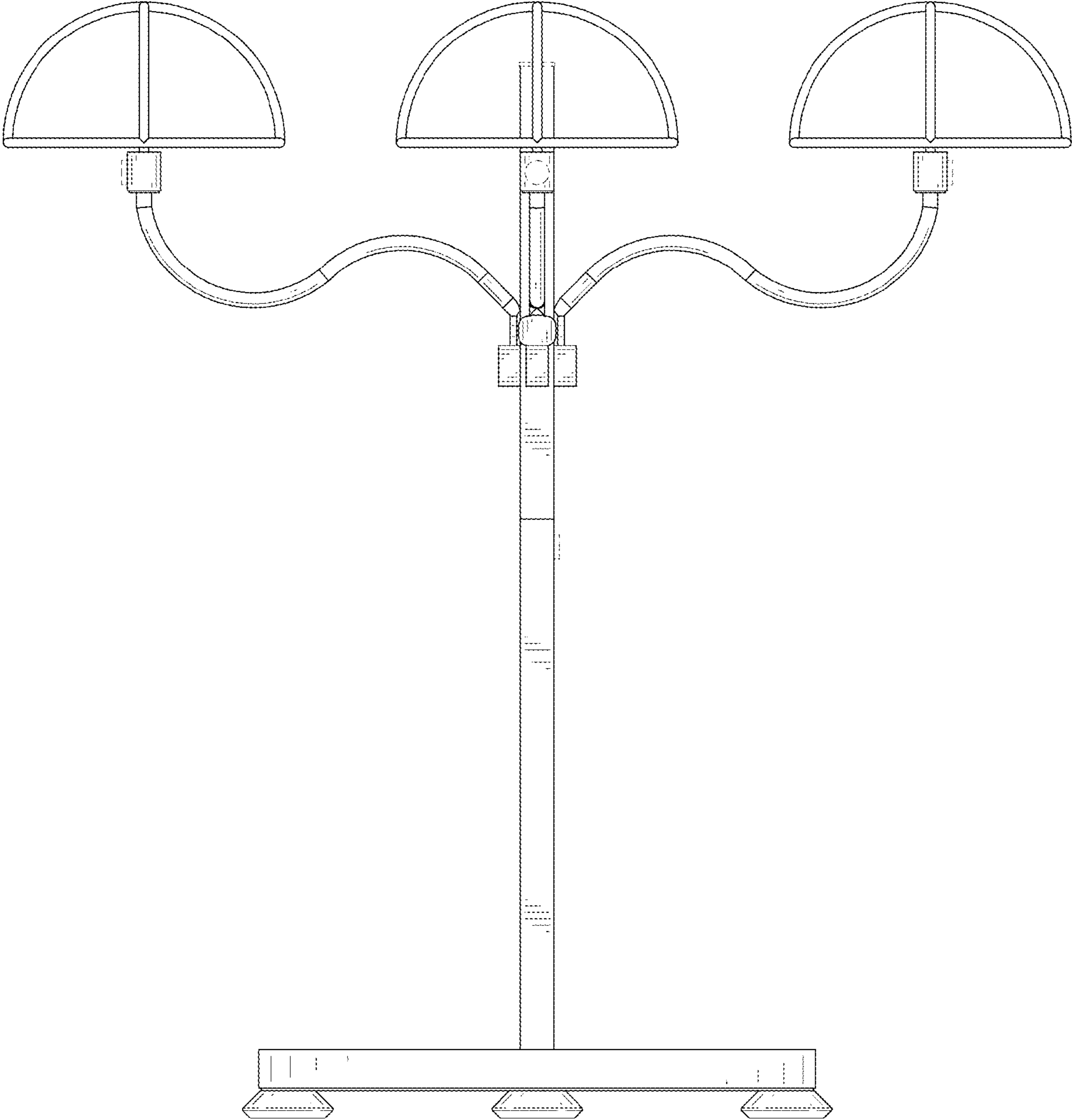


FIG. 4

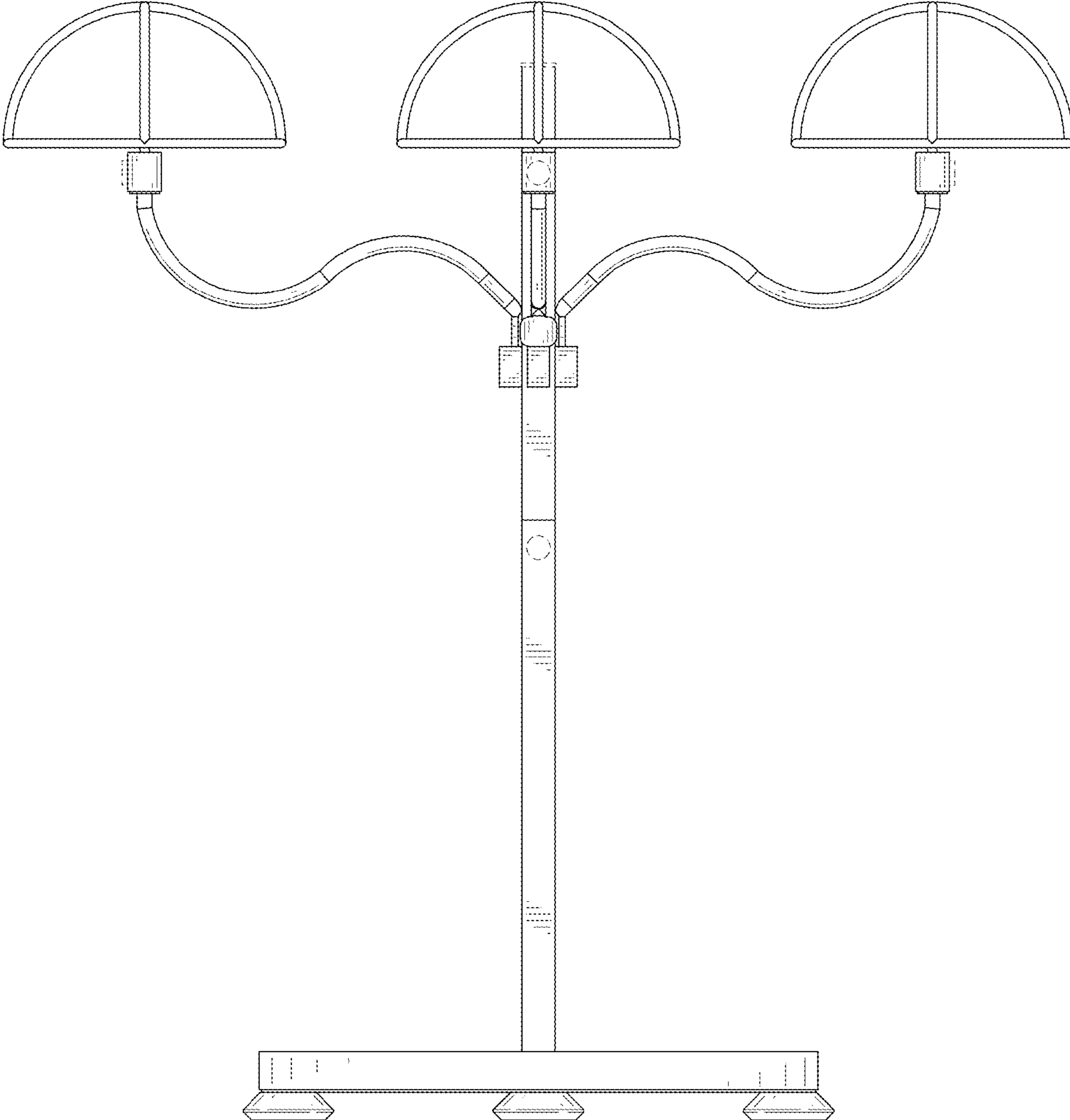


FIG. 5

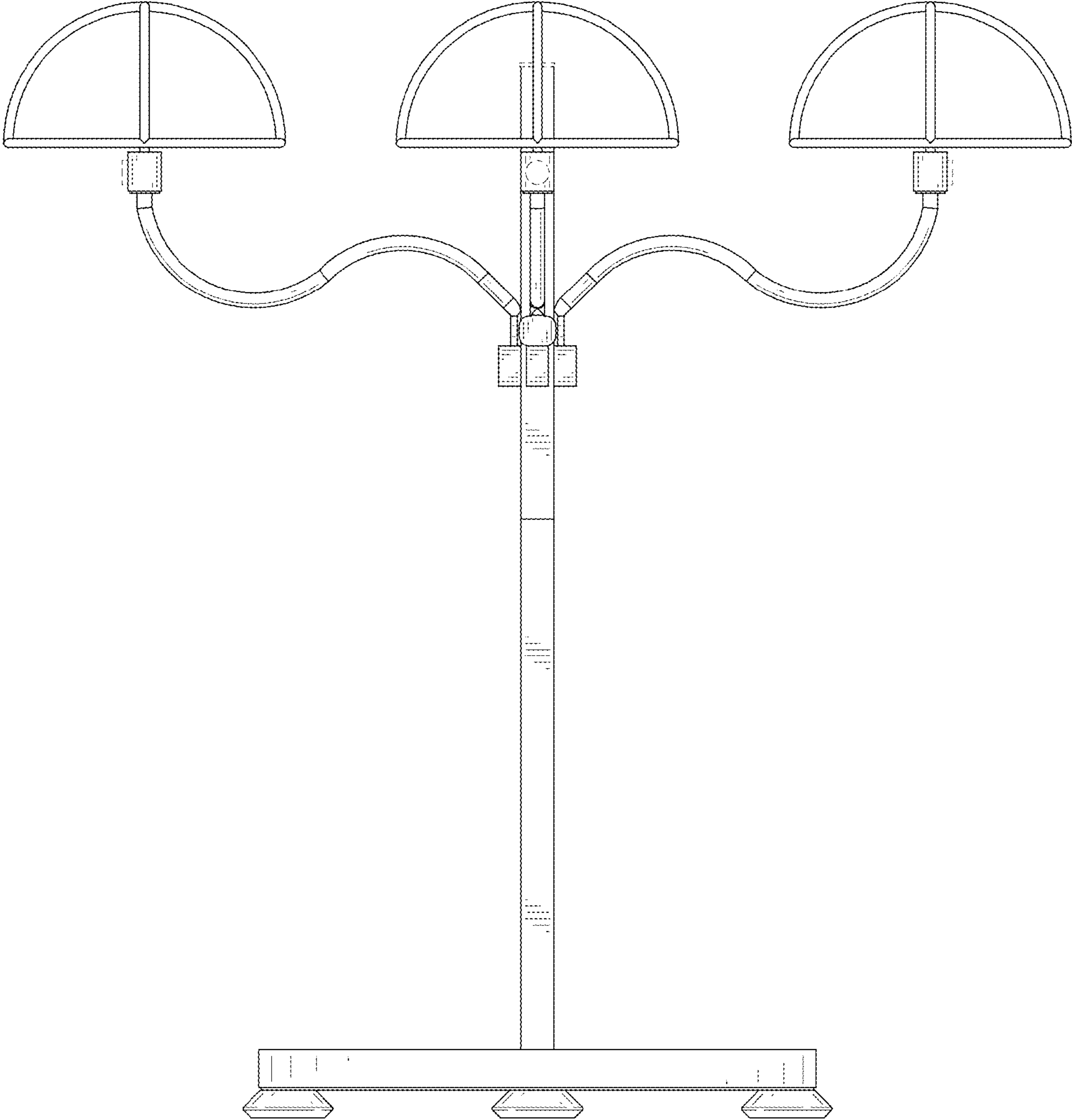


FIG. 6

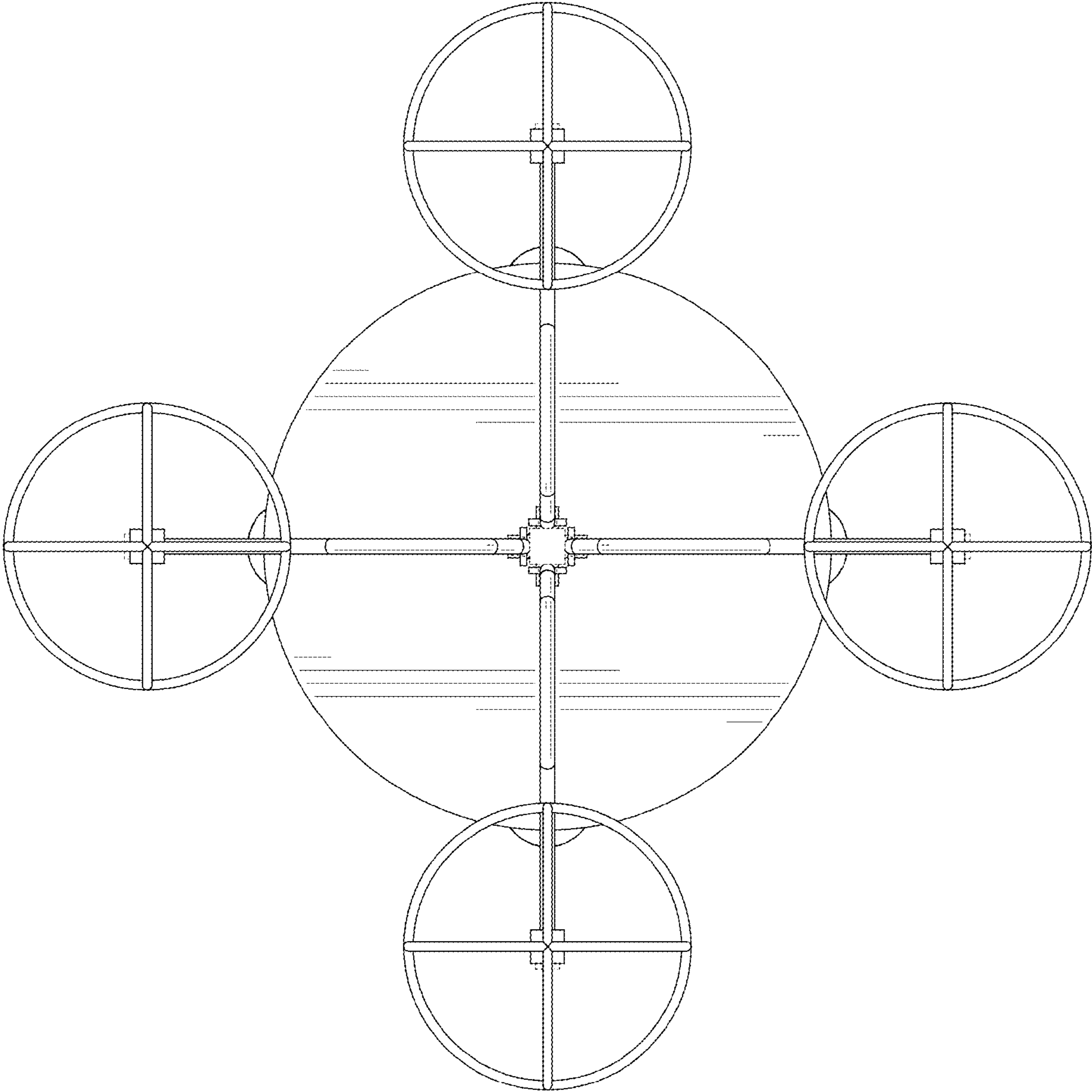


FIG. 7

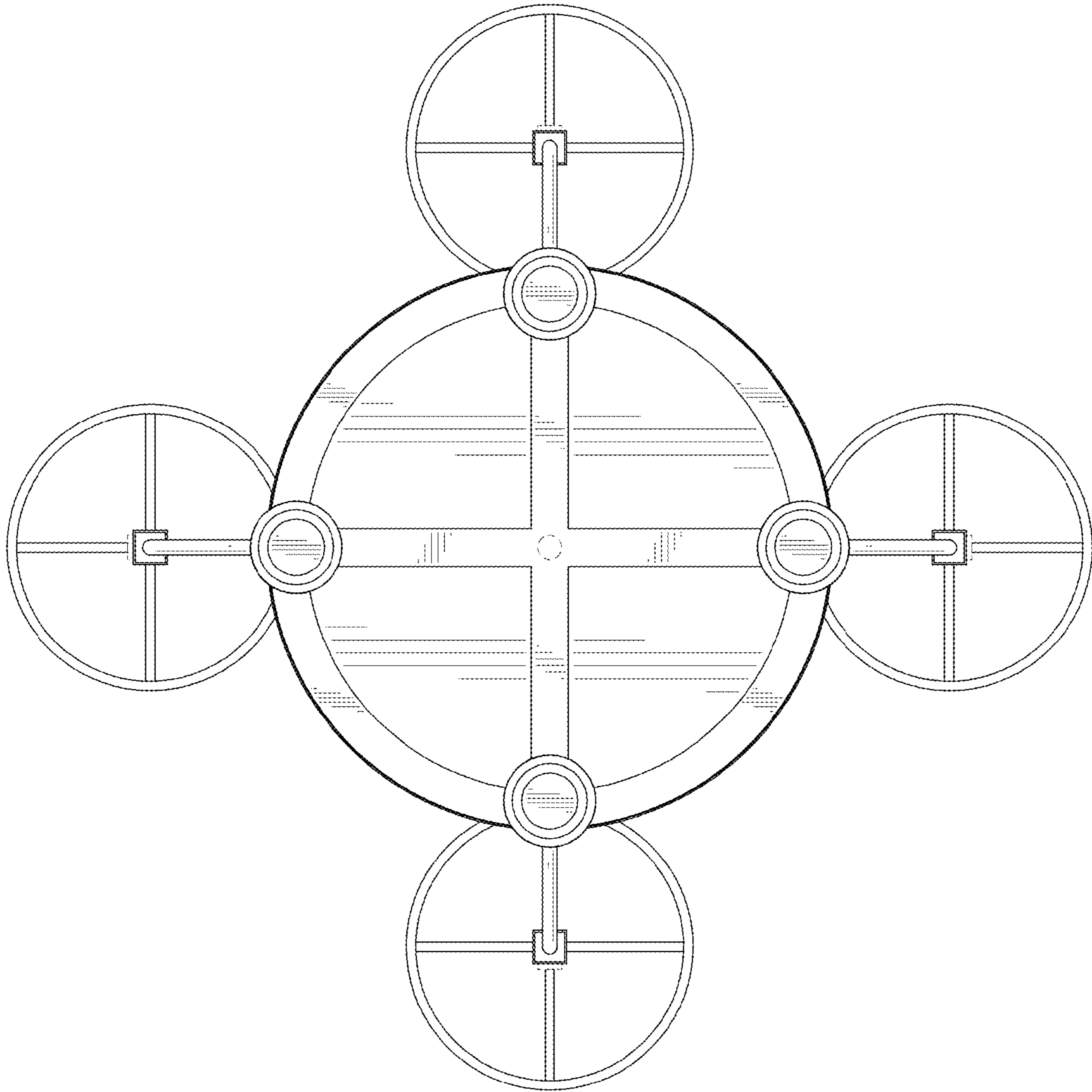


FIG. 8

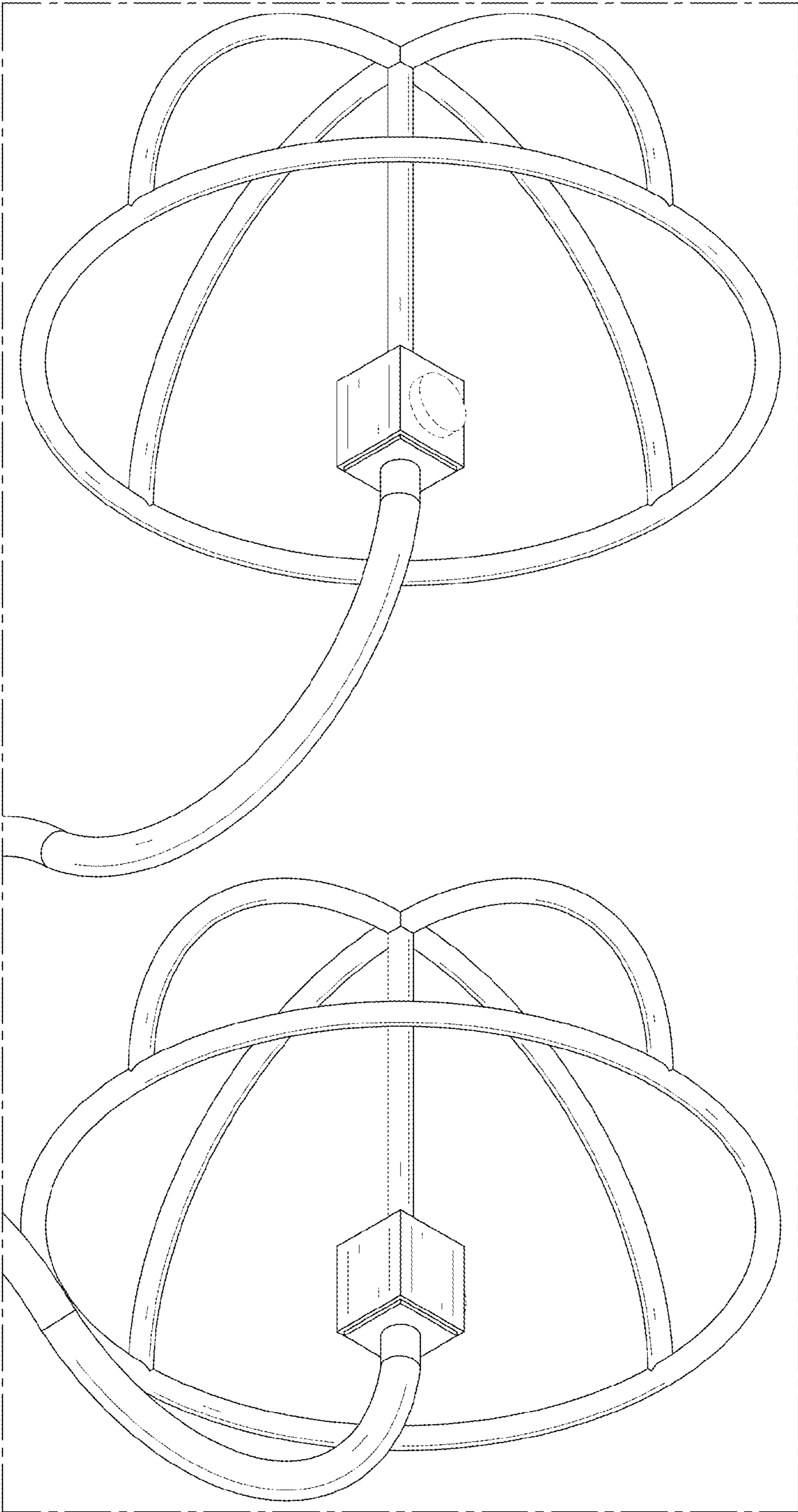


FIG. 9