



US0D1017905S

(12) **United States Design Patent** (10) **Patent No.: US D1,017,905 S**
Adkisson (45) **Date of Patent: ** Mar. 12, 2024**

(54) **CLEANING SWAB FOR TOES**
(71) Applicant: **Samuel Woodard Adkisson**, LaVergne, TN (US)
(72) Inventor: **Samuel Woodard Adkisson**, LaVergne, TN (US)

(**) Term: **15 Years**

(21) Appl. No.: **29/802,733**

(22) Filed: **Aug. 6, 2021**

(51) **LOC (14) Cl.** **28-03**

(52) **U.S. Cl.**
USPC **D28/57**

(58) **Field of Classification Search**
USPC D28/7, 56, 57, 59; 604/1, 2; 401/118
CPC A61M 35/006; A61M 35/003; A45D 2200/1054; A47K 7/00

See application file for complete search history.

(56) **References Cited**

U.S. PATENT DOCUMENTS

- 1,652,108 A * 12/1927 Forbis A61F 13/38 604/1
- 3,179,108 A * 4/1965 Bloch B29C 59/021 19/145.3
- 3,324,849 A * 6/1967 Kravitz A61F 13/38 604/77
- 3,508,547 A * 4/1970 Deuschle A61F 13/38 604/1
- 3,724,018 A * 4/1973 Sills A61M 35/006 15/244.1
- 3,924,623 A * 12/1975 Avery A61M 35/006 604/3
- 4,767,398 A * 8/1988 Blasius, Jr. A45D 40/28 604/1
- 5,505,712 A * 4/1996 McMillian A61M 35/003 604/289
- 5,531,671 A * 7/1996 Bennett A61F 13/38 604/11

- 8,551,031 B2 * 10/2013 Edme A61F 11/006 604/1
- D717,495 S * 11/2014 Vinokur D28/59
- 2004/0267181 A1 12/2004 Tuite et al.
- 2005/0054967 A1 * 3/2005 Ashe A61M 35/006 604/2

(Continued)

FOREIGN PATENT DOCUMENTS

- DE 49904504-0001 * 9/1999
- JP D1647424 * 12/2019

(Continued)

OTHER PUBLICATIONS

ForPro [online], [publication date is Jul. 7, 2016]. [Retrieved from the internet on Jul. 18, 2023]. URL: <<https://www.amazon.com/ForPro-110392-Non-Sterile-TongueDepressors/dp/B0113RLOD8/ref>>. (Year: 2016).*

(Continued)

Primary Examiner — Karen E Eldridge Powers

Assistant Examiner — Margaret Leah Bryan

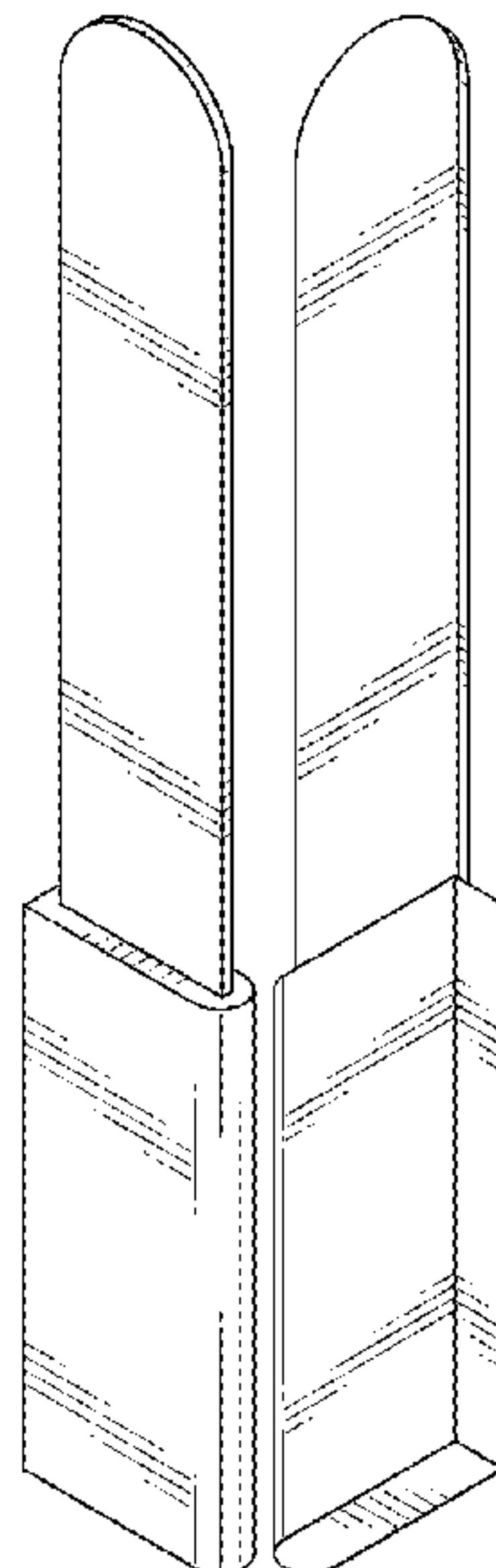
(57) **CLAIM**

The ornamental design for a cleaning swab for toes, as shown and described.

DESCRIPTION

FIG. 1 is a top front perspective view of a cleaning swab for toes showing my new design;
FIG. 2 is a bottom rear perspective view thereof;
FIG. 3 is a left elevational view thereof;
FIG. 4 is a right elevational view thereof;
FIG. 5 is a top plan view thereof;
FIG. 6 is a bottom plan view thereof;
FIG. 7 is a front elevational view thereof; and,
FIG. 8 is a back elevational view thereof.

1 Claim, 8 Drawing Sheets



(56)

References Cited

U.S. PATENT DOCUMENTS

2013/0338533 A1 12/2013 Olsen

FOREIGN PATENT DOCUMENTS

KR 300859796.0000 * 6/2016
 KR 301104737.0000 * 4/2021

OTHER PUBLICATIONS

Kmina [online], [publication date is Jul. 26, 2022]. [Retrieved from the internet on Jul. 18, 2023]. URL: <<https://www.amazon.com/KMINA-Handled-Cleaning-DisabledScrubber/dp/B09L8LNYTJ>>. (Year: 2022).*

Made in the USA [online], [publication date is Dec. 7, 2010]. [Retrieved from the internet on Jul. 18, 2023]. URL: <<https://www.amazon.com/Swabs-Rectangular-Printers-CleaningDetailing/dp/B004FJOOGI>>. (Year: 2010).*

Q-Tips [online], [publication date is Apr. 9, 2023]. [Retrieved from the internet on Jul. 18, 2023]. URL: <<https://www.amazon.com/Cotton-Travel-Compatible-Q-TipsApprox/dp/B0BV8B448X>>. (Year: 2023).*

Swab-Its [online], [publication date is Jan. 17, 2019]. [Retrieved from the internet on Jul. 18, 2023]. URL: <<https://www.amazon.com/Swab-its-99-Foil-Wrapped-Swab/dp/B01LYWGX37>>. (Year: 2019).*

Yaomiao [online], [publication date is Apr. 23, 2023]. [Retrieved from the internet on Jul. 18, 2023]. URL: <<https://www.amazon.com/Yaomiao-Reusable-Scrubber-CleaningBetween/dp/B0C39M4H84>>. (Year: 2023).*

Dry Foam Rubber Swabs, https://www.foreign-trade.com/wholesale/Dry-Foam-Rubber-Swabs_255541.html.

Contec Constix Sealed Foam Swab, https://midwestproductionssupply.com/product/4-5-inch-contec-constix-non-reticulated-sealed-foam-head-flex-tip-swab-html/?utm_source=Google%20Shopping&utm_campaign=Google%20Shopping&utm_medium=cpc&utm_term=34508&gclid=EAlalQobChMI_LeJq_i96glVxtSzCh0duwhPEAQYByABEglsYfd_BWE.

Soldering Flexible Head, <https://www.msdirect.com/product/details/00101915>.

* cited by examiner

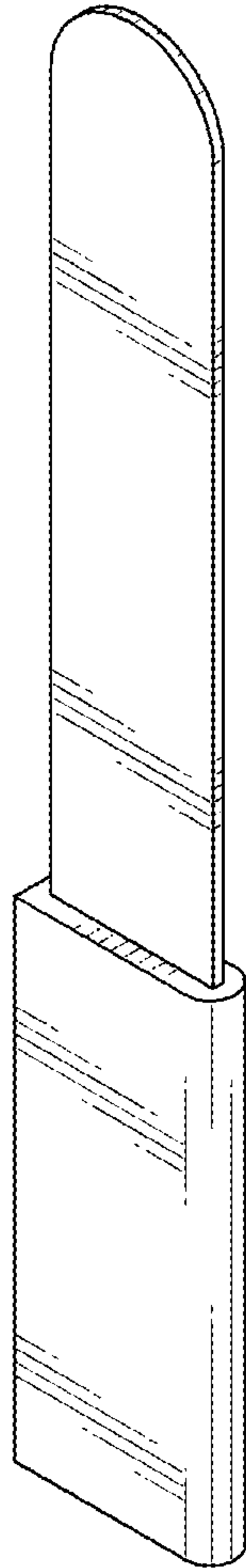


FIG. 1

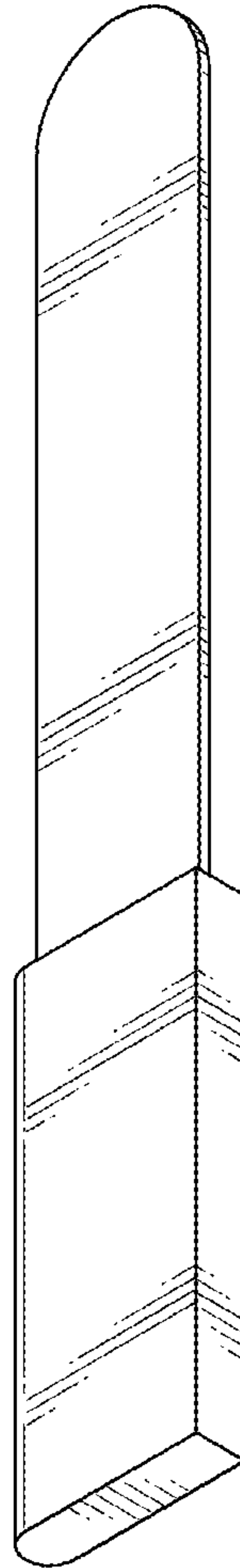


FIG. 2

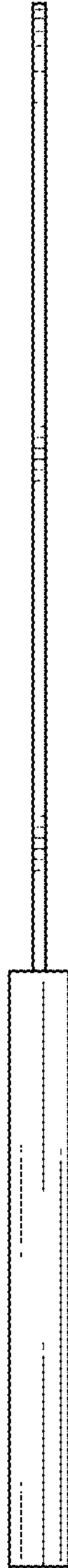


FIG. 3

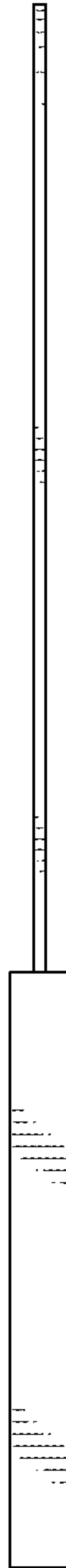


FIG. 4

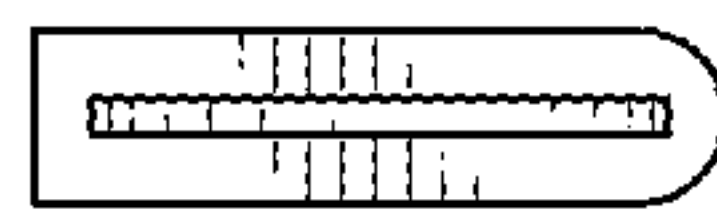


FIG. 5

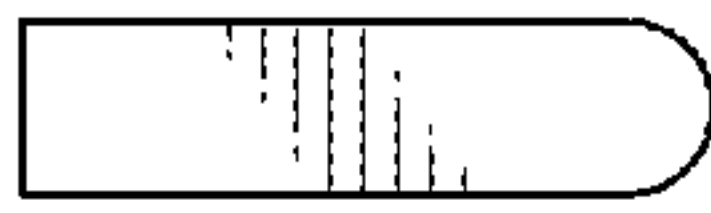


FIG. 6

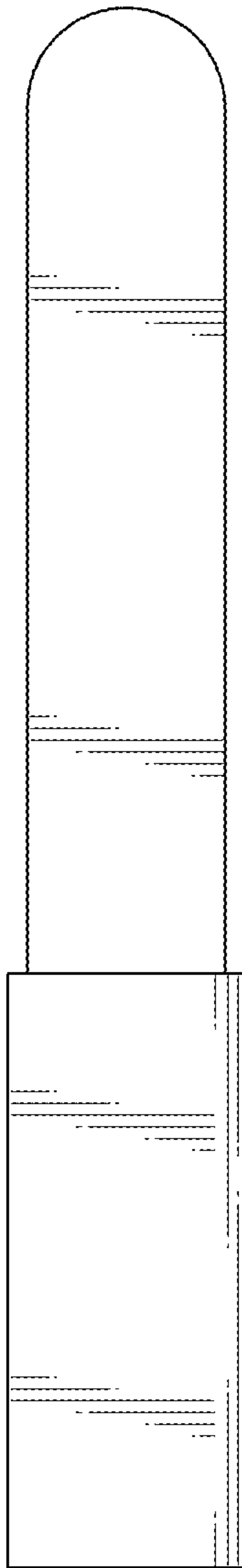


FIG. 7

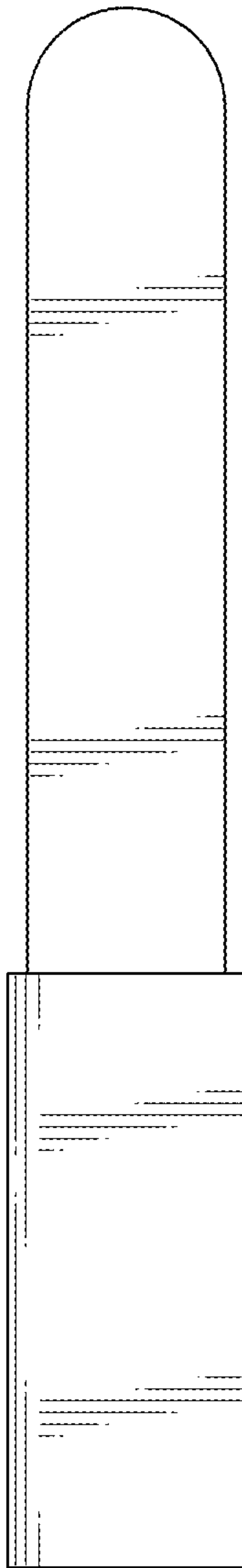


FIG. 8