



US0D1017785S

(12) **United States Design Patent** (10) **Patent No.:** **US D1,017,785 S**  
**Weilert et al.** (45) **Date of Patent:** **\*\* Mar. 12, 2024**

(54) **COMBUSTOR**

(71) Applicant: **SOLO BRANDS, LLC**, Grapevine, TX (US)

(72) Inventors: **Jeffrey R. Weilert**, Southlake, TX (US); **Alexander K. Maghsadi**, Lewisville, TX (US)

(73) Assignee: **SOLO BRANDS, LLC**, Grapevine, TX (US)

(\*\*) Term: **15 Years**

(21) Appl. No.: **29/865,800**

(22) Filed: **Aug. 12, 2022**

(51) **LOC (14) Cl.** ..... **23-03**

(52) **U.S. Cl.**  
USPC ..... **D23/332**

(58) **Field of Classification Search**  
USPC ..... D23/314, 317, 329, 332, 334, 335, 336,  
D23/337, 338, 339, 340, 342, 343  
(Continued)

(56) **References Cited**

**U.S. PATENT DOCUMENTS**

168,047 A \* 9/1875 Perry et al. .... F23B 5/00  
126/7  
D289,195 S \* 4/1987 Desautels ..... D23/343  
(Continued)

**FOREIGN PATENT DOCUMENTS**

DE 102010007478 A1 8/2011  
DE 102013100971 A1 7/2014  
(Continued)

**OTHER PUBLICATIONS**

Wood Pellet Products, Web page <https://woodpelletproducts.com/product/wood-pellet-patio-heater/>, 1 page, retrieved from Internet on Aug. 12, 2022.

(Continued)

*Primary Examiner* — Ania Aman

(74) *Attorney, Agent, or Firm* — HAYNES AND BOONE, LLP

(57) **CLAIM**

The ornamental design for a combustor, as shown and described.

**DESCRIPTION**

This application is related to U.S. Design patent application Ser. No. 29/865,797, filed Aug. 12, 2022, entitled Heater, the entire disclosure of which is hereby incorporated herein by reference.

This application is also related to U.S. Design patent application Ser. No. 29/865,801, filed Aug. 12, 2022, entitled Heat Reflector, the entire disclosure of which is hereby incorporated herein by reference.

This application is also related to U.S. patent application Ser. No. 17/887,190, filed Aug. 12, 2022, entitled Outdoor Heater, the entire disclosure of which is hereby incorporated herein by reference.

FIG. 1 is a top-front-right perspective view of a combustor showing our new design;

FIG. 2 is a front view thereof;

FIG. 3 is a rear view thereof;

FIG. 4 is a right side view thereof;

FIG. 5 is a left side view thereof;

FIG. 6 is a top view thereof;

FIG. 7 is a bottom view thereof; and

FIG. 8 is a top-rear-left perspective view thereof.

FIG. 9 is a view similar to FIG. 1 but also illustrating unclaimed environmental structure; and,

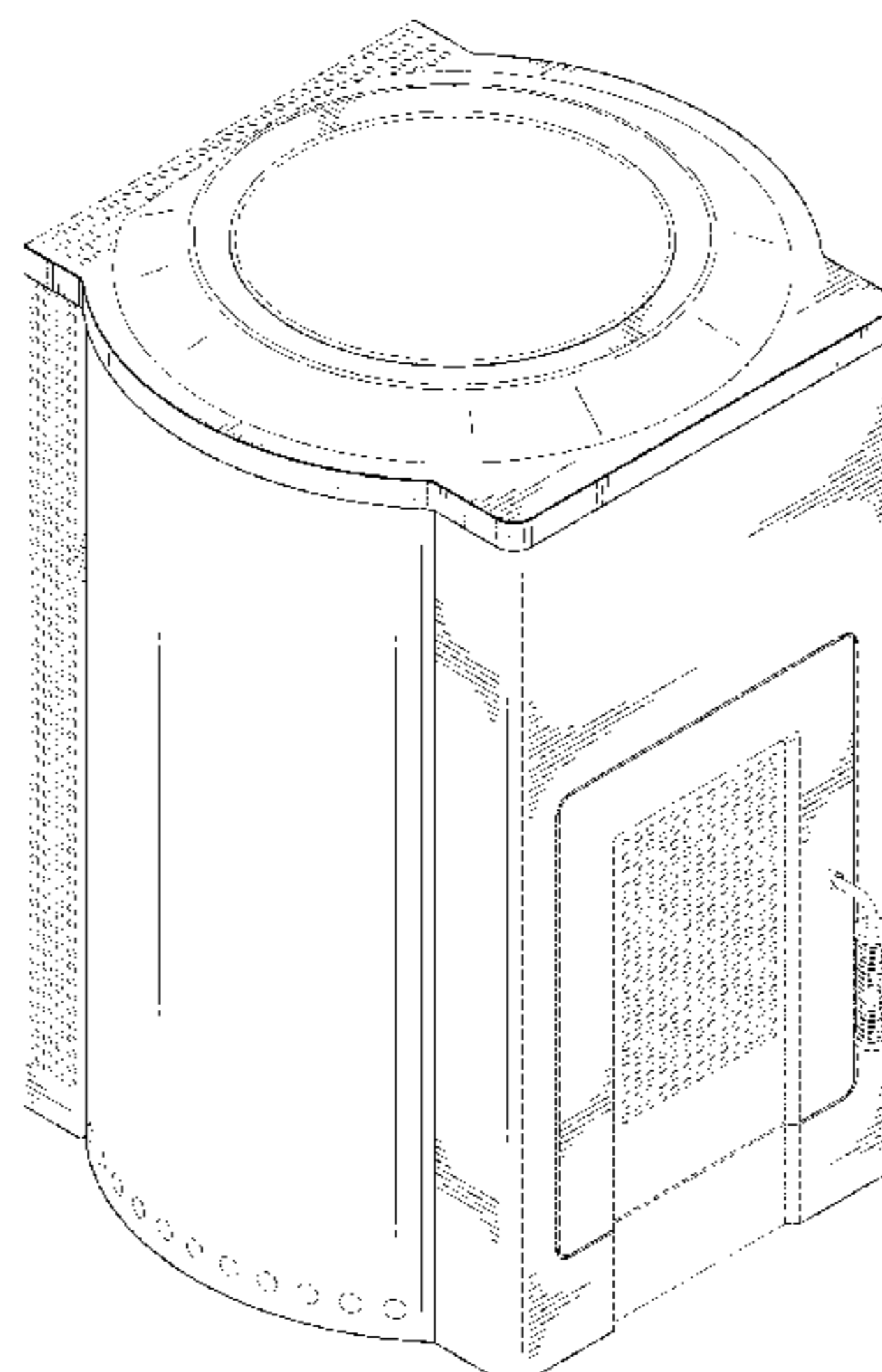
FIG. 10 is a view similar to FIG. 8 but also illustrating unclaimed environmental structure.

The equally-dashed broken lines shown in FIGS. 1-10 are included for the purpose of illustrating portions of the combustor that form no part of the claimed design.

The additional equally-dashed broken lines shown in each of FIGS. 9 and 10, but not also shown in FIGS. 1-8, are included for the purpose of illustrating unclaimed environmental structure that forms no part of the claimed design.

The dash-dot broken lines shown in FIGS. 1 and 3-10 define the bounds of the claimed design and form no part thereof.

(Continued)



The surface shadings and contour lines shown in FIGS. 1-10 represent the three-dimensional character and contour of the combustor.

**1 Claim, 10 Drawing Sheets**

(58) **Field of Classification Search**

CPC .... F24C 7/105; F24C 1/10; F24C 3/04; F24C 7/065; F24C 1/16; F23D 14/12; F24H 3/00; F24B 13/04

See application file for complete search history.

(56) **References Cited**

U.S. PATENT DOCUMENTS

6,035,768 A \* 3/2000 Kaufman ..... A47J 37/0763  
99/449

D429,324 S 8/2000 Olson et al.  
6,102,031 A 8/2000 Waters  
6,164,273 A 12/2000 Waters  
6,192,878 B1 2/2001 Waters  
D445,889 S 7/2001 Resmo et al.  
D447,796 S 9/2001 Resmo et al.  
D450,816 S 11/2001 Bilotti  
6,446,623 B1 9/2002 Resmo et al.  
6,470,877 B1 10/2002 Waters  
D466,993 S 12/2002 Chang  
D471,967 S 3/2003 Bossler  
D472,623 S 4/2003 Bossler  
D474,532 S 5/2003 Chan et al.  
6,619,281 B2 9/2003 Resmo et al.  
6,651,647 B2 11/2003 Waters  
6,668,818 B2 12/2003 Bossler  
D486,211 S 2/2004 Chan et al.  
D486,567 S 2/2004 Sakai  
D489,439 S 5/2004 Brunner et al.  
6,742,814 B2 6/2004 Resmo et al.  
6,745,759 B2 6/2004 Bossler  
6,792,937 B2 9/2004 Resmo et al.  
6,907,875 B1 6/2005 Eastman, II et al.  
7,086,396 B2 8/2006 Waters  
D532,500 S 11/2006 Yeung  
D532,501 S 11/2006 Giovino  
7,175,424 B2 2/2007 Frink et al.  
D594,949 S 6/2009 Wang  
7,631,640 B2 12/2009 Hofbauer et al.  
D608,878 S \* 1/2010 Mattis ..... D23/346  
D619,231 S 7/2010 Yeung  
D634,412 S 3/2011 Boldsen  
8,011,329 B2 9/2011 Hardy  
8,047,197 B1 11/2011 Zernich  
8,176,910 B2 5/2012 O'Connell et al.  
8,734,928 B1 5/2014 LaVigna et al.  
D710,982 S \* 8/2014 Baril ..... D23/314  
D718,850 S 12/2014 Stokke  
D727,484 S 4/2015 Yang  
D754,309 S 4/2016 Yang  
D770,605 S \* 11/2016 Wu ..... D23/332  
D812,205 S 3/2018 Inovero et al.  
D813,362 S 3/2018 Anthony et al.  
D813,999 S 3/2018 Inovero et al.  
10,015,655 B2 7/2018 Doorandish  
10,030,889 B2 7/2018 Merritt  
D835,246 S \* 12/2018 Zhang ..... D23/332

D841,789 S 2/2019 Inovero et al.  
10,222,068 B2 3/2019 Bechtold  
10,222,092 B1 3/2019 Traeger  
D846,716 S \* 4/2019 Maki ..... D23/342  
D849,900 S \* 5/2019 Wu ..... D23/332  
D850,591 S 6/2019 Inovero et al.  
10,371,386 B2 8/2019 Yang  
D865,142 S \* 10/2019 Wu ..... D23/332  
10,488,052 B2 11/2019 Kalyanaraman et al.  
10,495,300 B2 12/2019 Huddleston et al.  
D886,257 S 6/2020 Pontillas et al.  
D890,315 S 7/2020 Inovero et al.  
10,982,880 B1 4/2021 Traeger  
11,022,323 B2 6/2021 Mushnick  
D940,842 S \* 1/2022 Wang ..... D23/336  
D941,975 S \* 1/2022 Thomas ..... D7/332  
D953,499 S \* 5/2022 Scott ..... D23/318  
D976,377 S \* 1/2023 Thomas ..... D7/332  
2003/0029439 A1 2/2003 Bossler  
2004/0011346 A1 1/2004 Sakai  
2004/0177843 A1 9/2004 Bernini et al.  
2007/0101983 A1 5/2007 Yao  
2008/0202502 A1 8/2008 Eckhardt  
2009/0053664 A1 2/2009 Staller et al.  
2009/0223512 A1 9/2009 Konkle  
2010/0192934 A1 \* 8/2010 Ashmore ..... F24B 1/24  
110/341  
2011/0073095 A1 3/2011 Bechtold  
2013/0160757 A1 \* 6/2013 Atemboski ..... F24B 13/04  
126/501  
2014/0238282 A1 \* 8/2014 Zhu ..... F24B 1/08  
110/297  
2015/0345828 A1 12/2015 Clark  
2016/0370011 A1 12/2016 David et al.  
2017/0172158 A1 \* 6/2017 Lipinski ..... A47J 37/0704  
2017/0215641 A1 \* 8/2017 DeBruler ..... A47J 37/0704  
2018/0180291 A1 6/2018 Wei  
2019/0234610 A1 \* 8/2019 Abbott ..... F23B 50/12  
2019/0301740 A1 10/2019 Daniels  
2019/0368742 A1 12/2019 Yang  
2020/0386412 A1 12/2020 Silverman  
2021/0140649 A1 5/2021 Dadoyan  
2021/0207810 A1 7/2021 Vlock  
2021/0356132 A1 11/2021 Yang  
2022/0079383 A1 \* 3/2022 Mercer ..... A47J 36/32  
2022/0357040 A1 \* 11/2022 Simon ..... F24B 13/04

FOREIGN PATENT DOCUMENTS

DE 202017101003 U1 6/2017  
DE 202021102442 U1 6/2021  
EP 3029393 A1 6/2016  
EP 3112756 A1 4/2017  
EP 3614047 A1 2/2020  
EP 3279569 B1 10/2020  
EP 3936764 A1 1/2022  
ES 2557413 A1 1/2016  
KR 101527682 B1 6/2015  
WO 2014118419 A1 8/2014

OTHER PUBLICATIONS

Even Embers, Web page <https://evenembers.com/products/outdoor-heating/>, 1 page, retrieved from Internet on Aug. 12, 2022.  
Q-Stoves, Web page <https://qstoves.com/collections/outdoor-patio-heater/>, 1 page, retrieved from Internet on Aug. 12, 2022.

\* cited by examiner



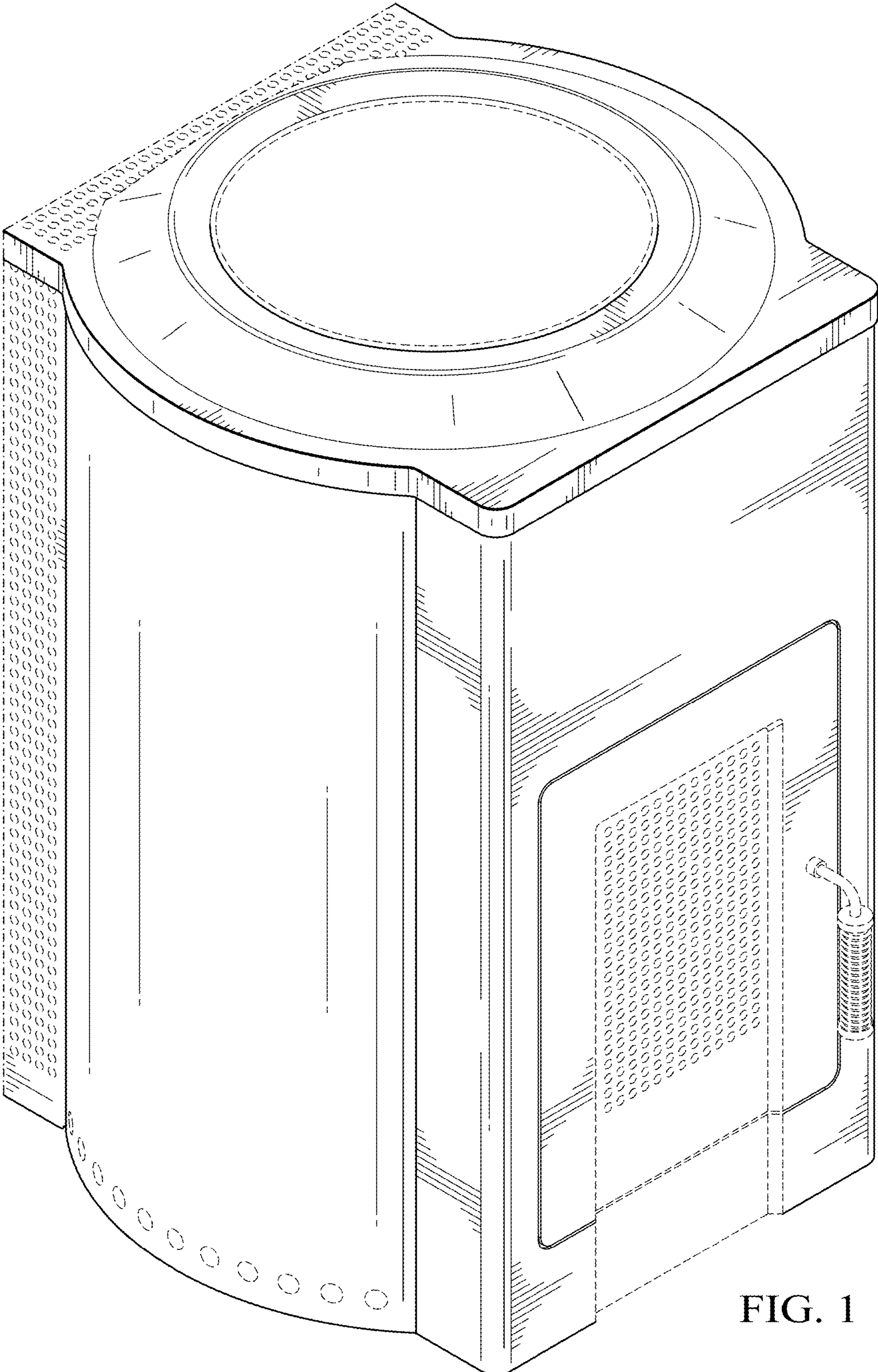


FIG. 1

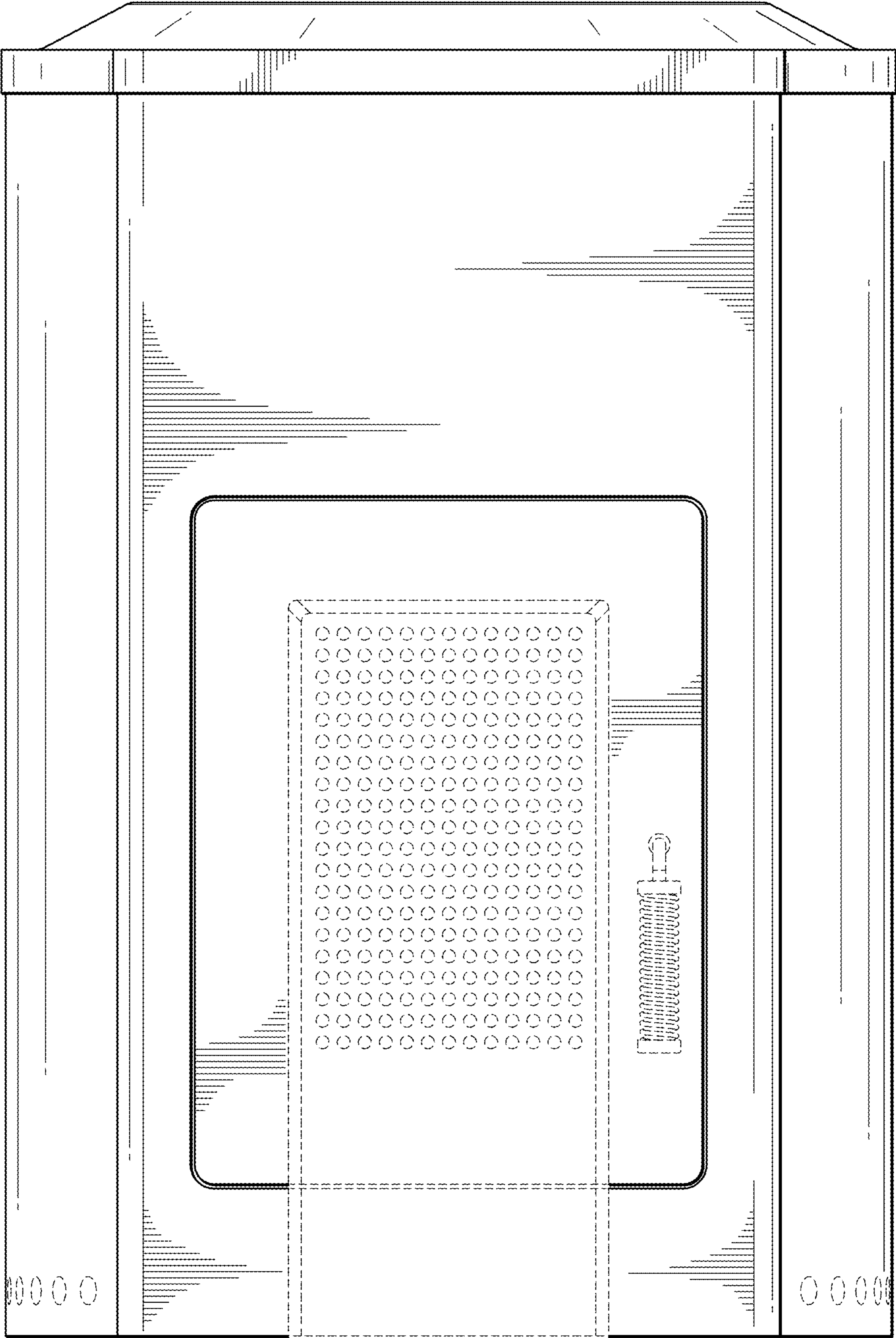


FIG. 2

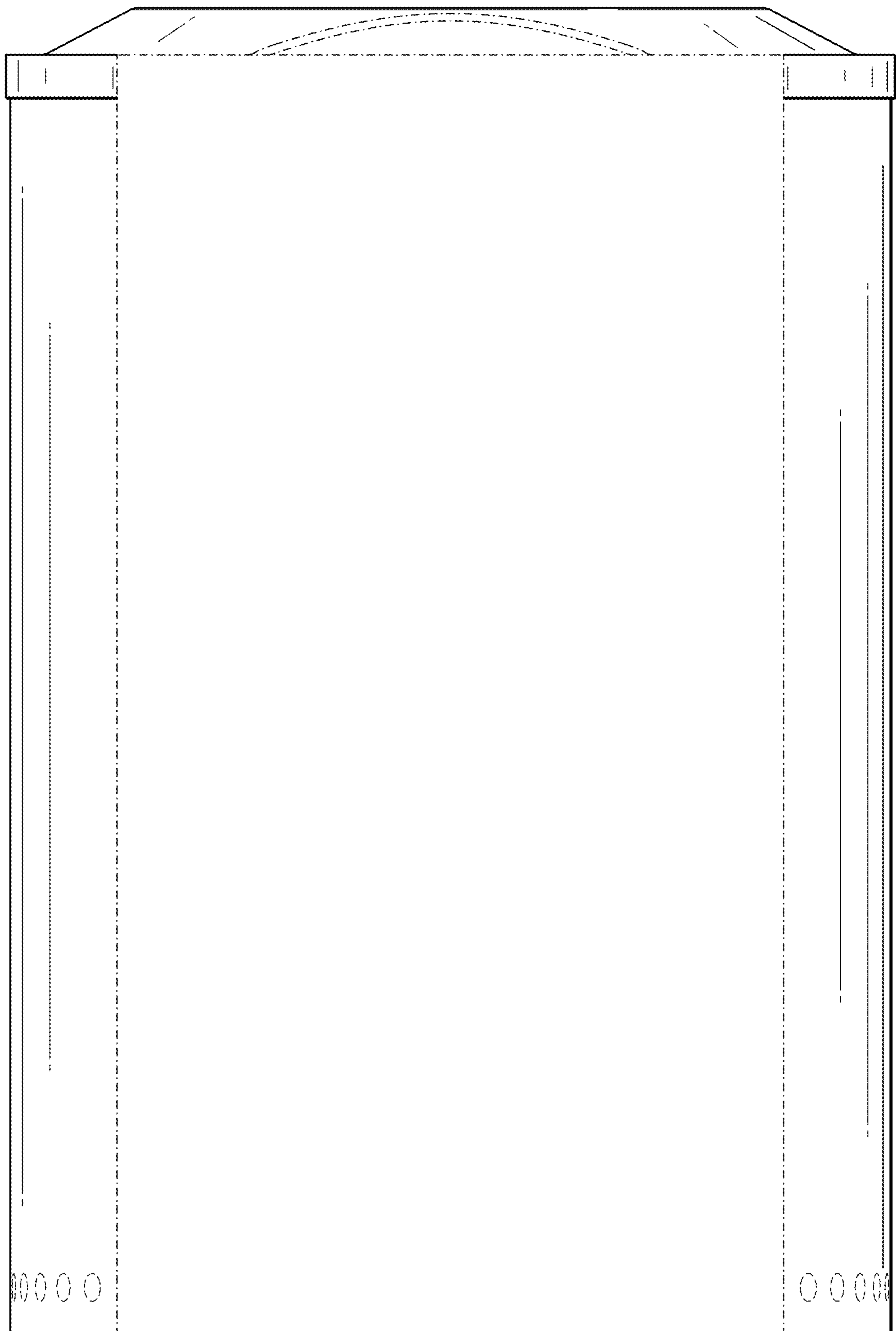


FIG. 3

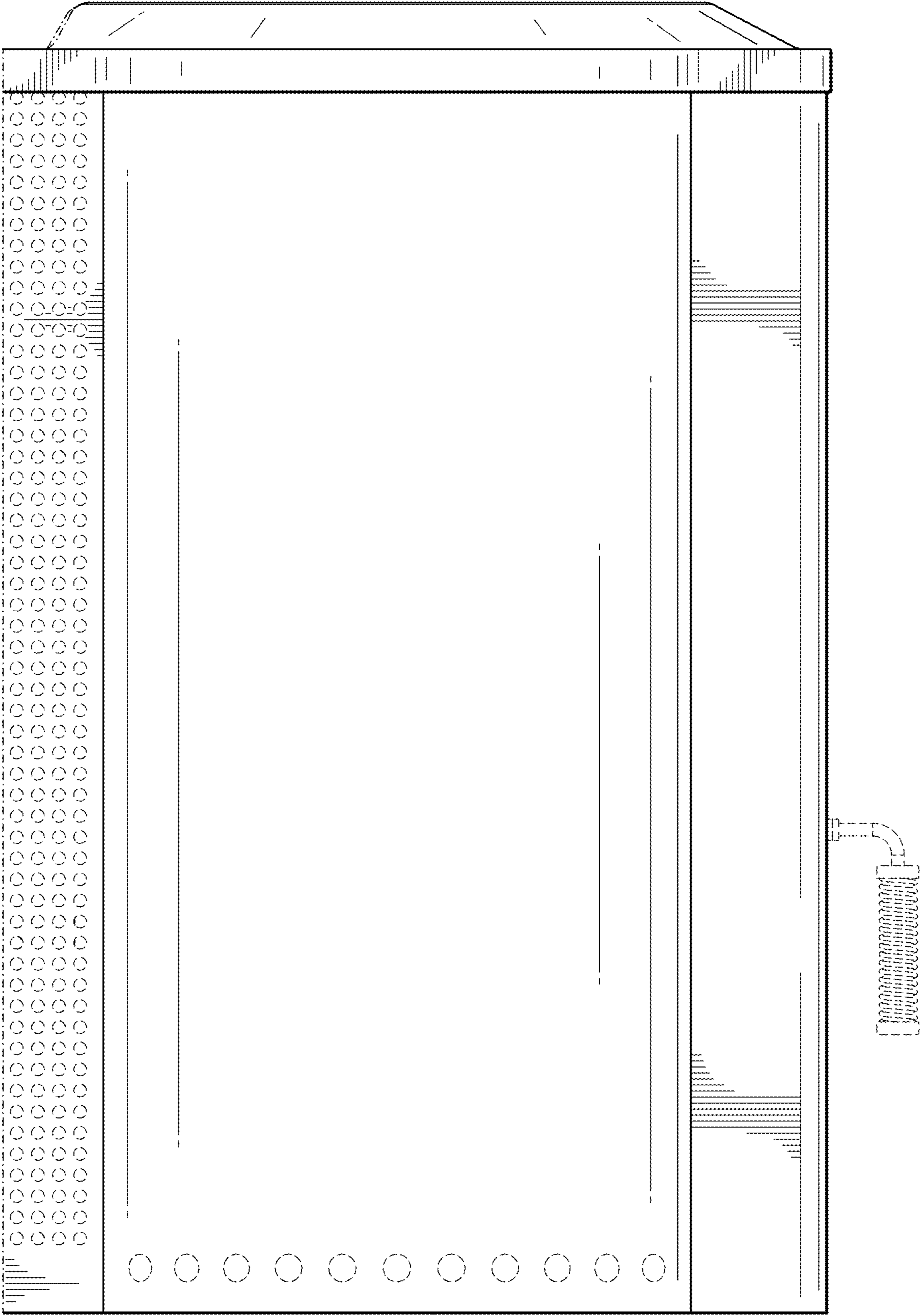


FIG. 4



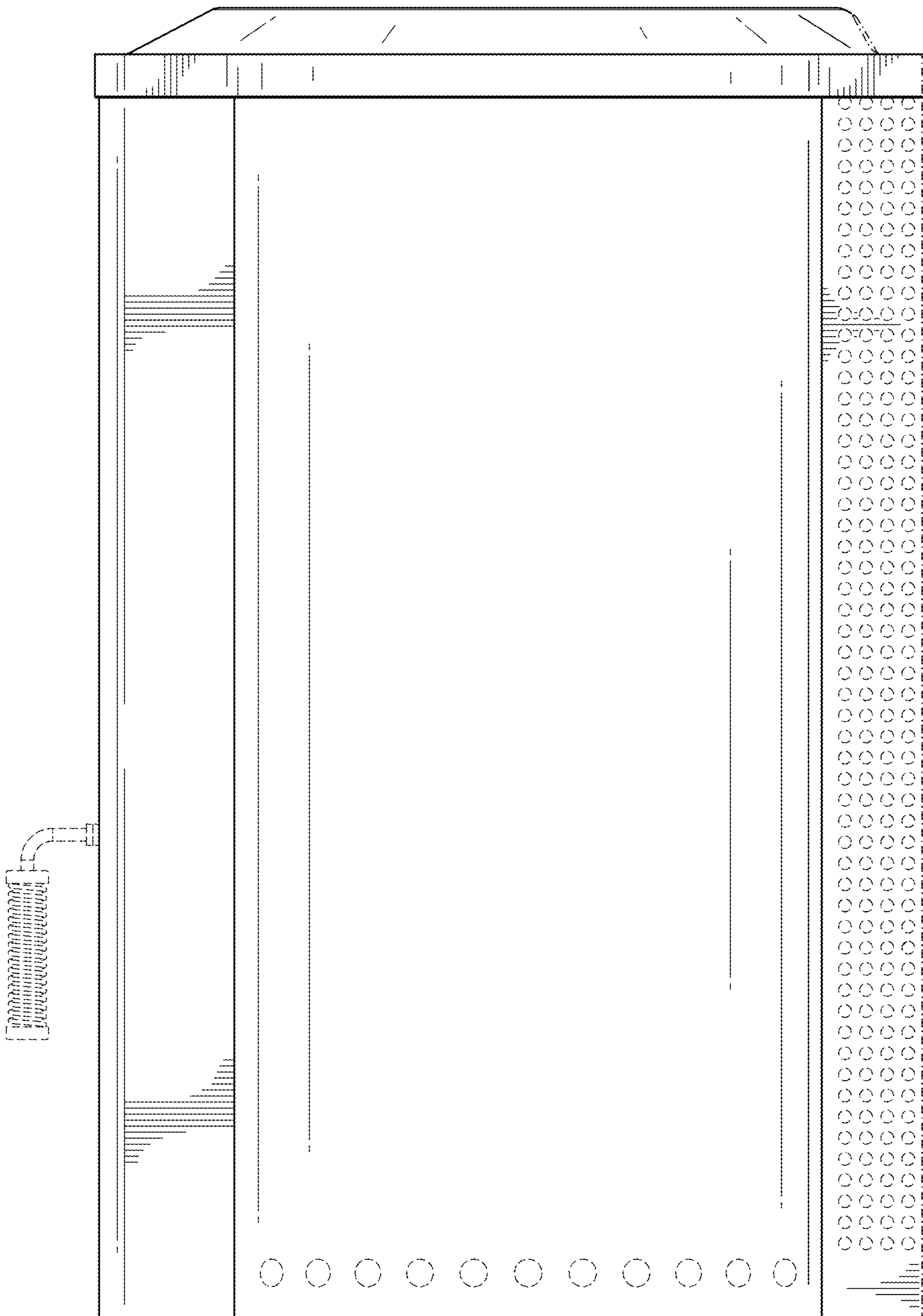


FIG. 5

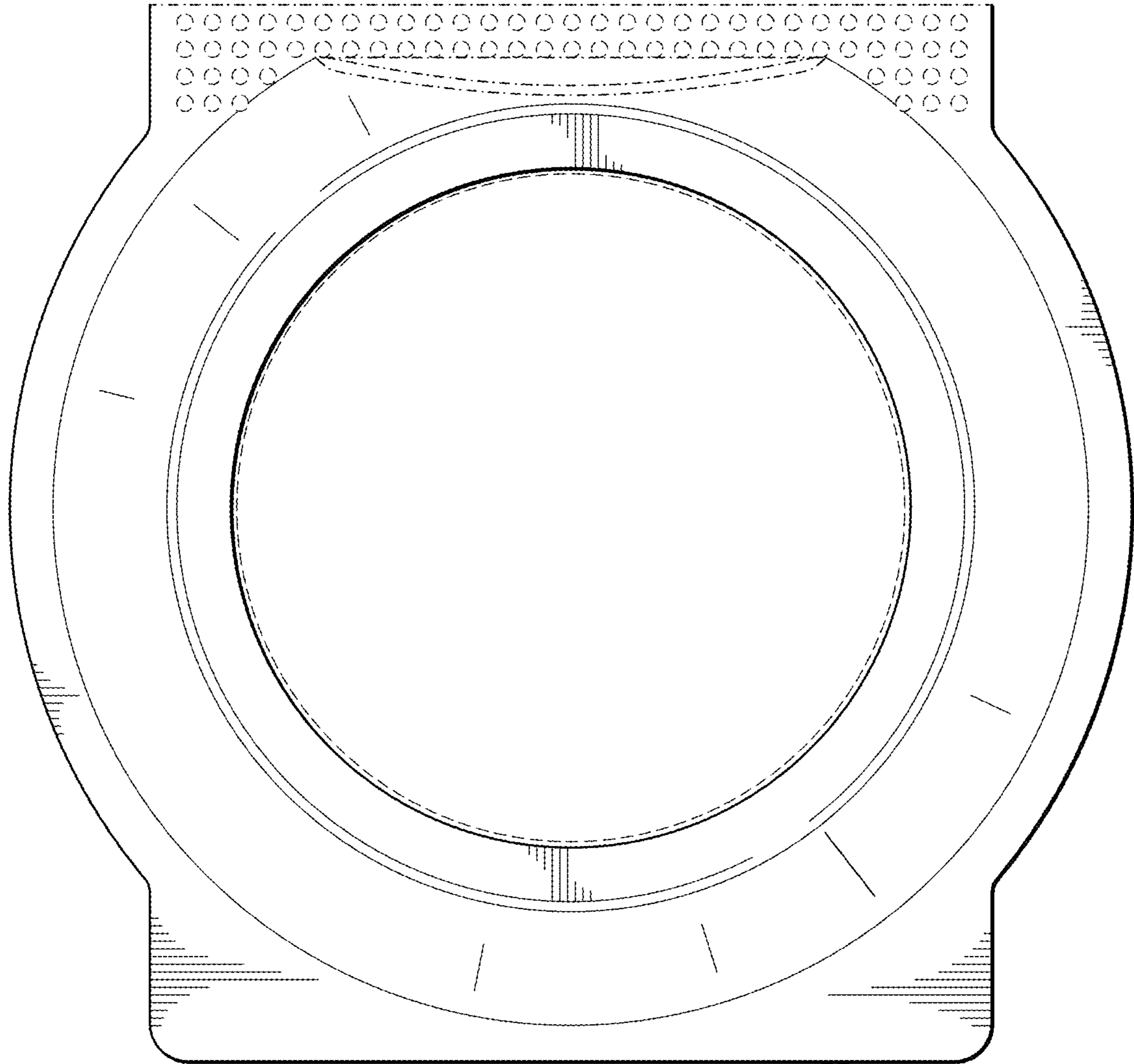
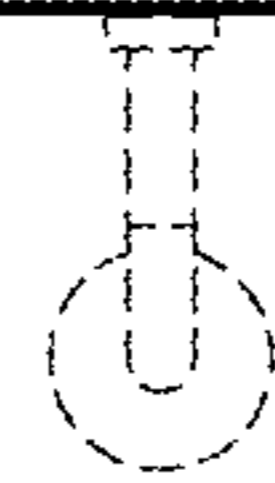


FIG. 6





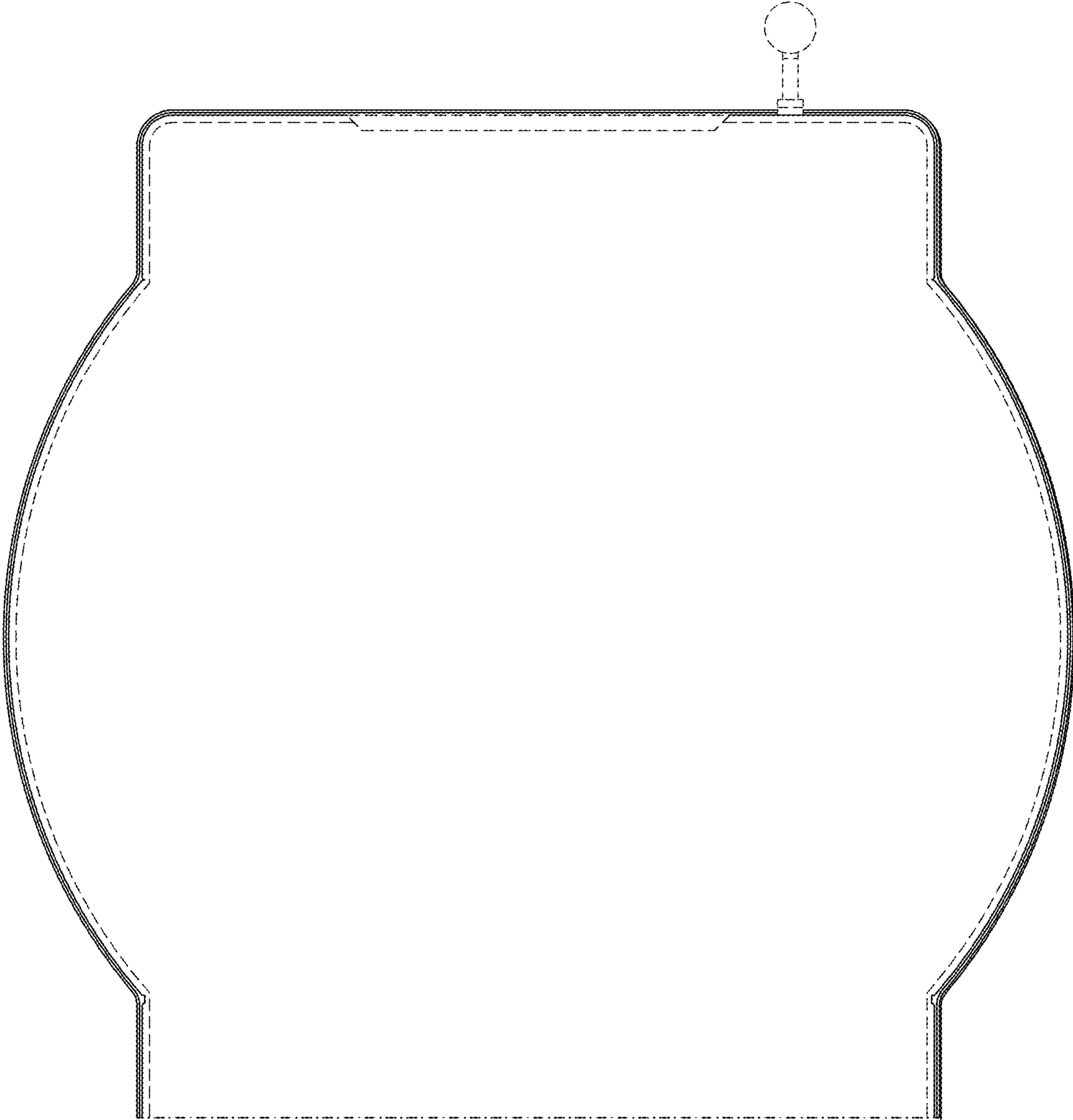


FIG. 7

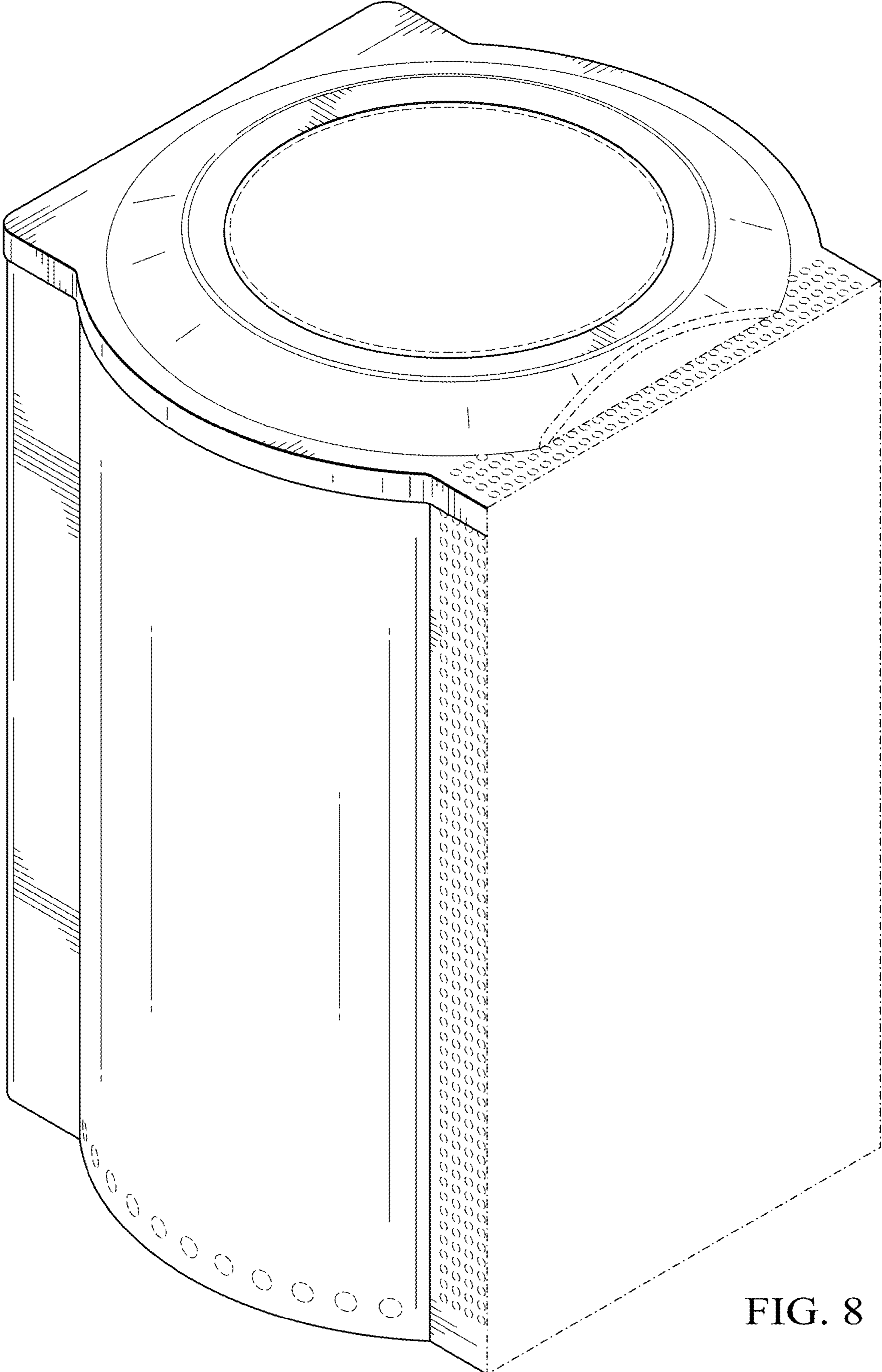


FIG. 8

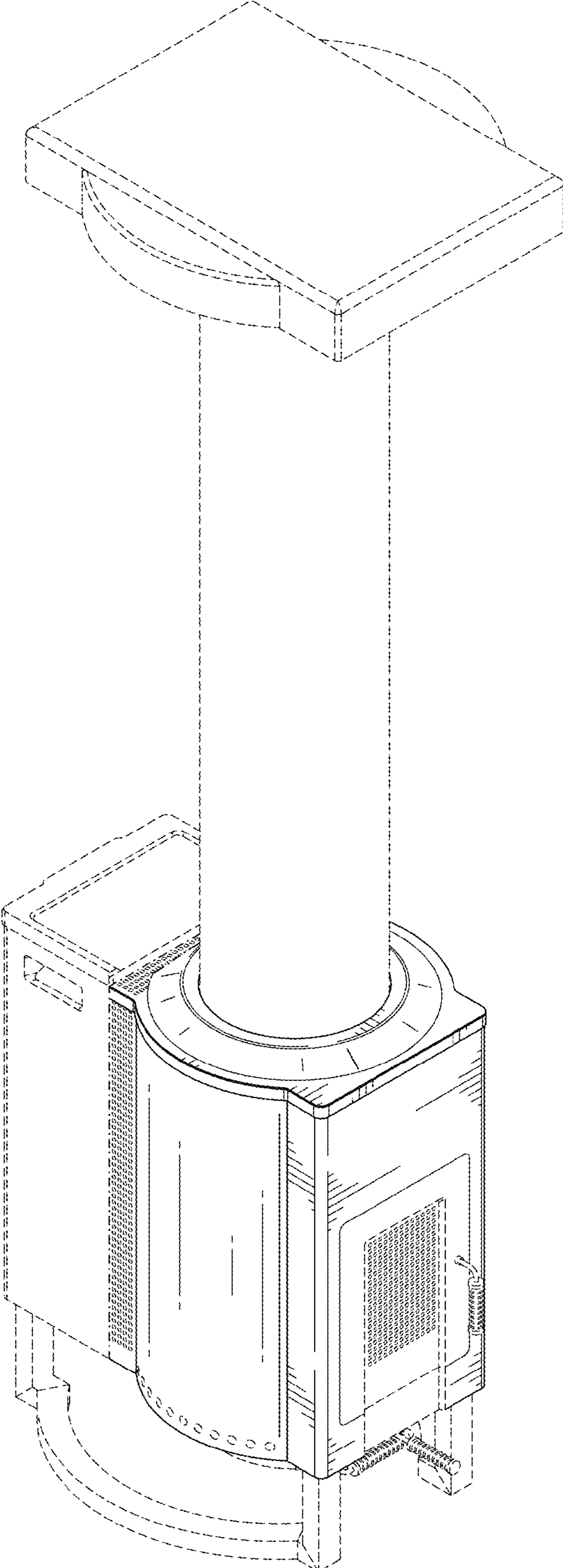


FIG. 9



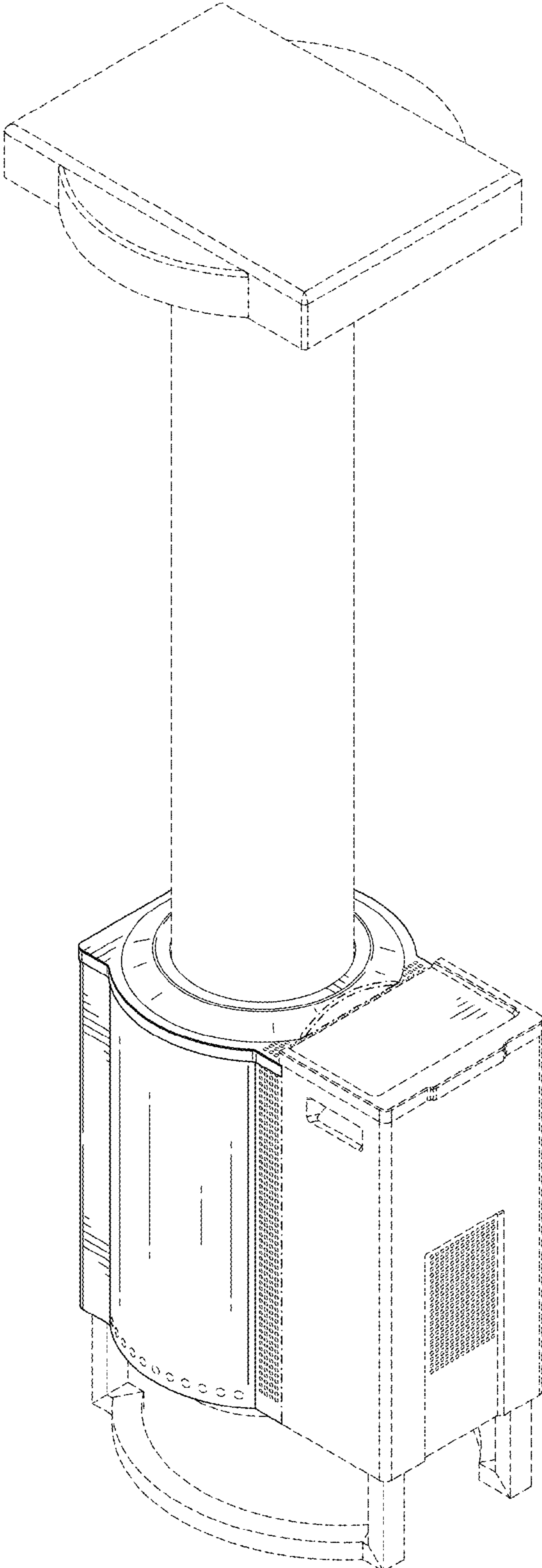


FIG. 10