



US0D1017571S

(12) **United States Design Patent**
Hong

(10) **Patent No.:** **US D1,017,571 S**

(45) **Date of Patent:** **** Mar. 12, 2024**

- (54) **WIRELESS HEADSET**
- (71) Applicant: **Chuzhang Hong**, ShenZhen (CN)
- (72) Inventor: **Chuzhang Hong**, ShenZhen (CN)
- (**) Term: **15 Years**
- (21) Appl. No.: **29/824,774**
- (22) Filed: **Jan. 27, 2022**
- (51) **LOC (14) Cl.** **14-01**
- (52) **U.S. Cl.**
USPC **D14/207**
- (58) **Field of Classification Search**
USPC D14/207, 205, 206, 192; D28/41;
132/273, 275; D2/865–866, 869, 871,
D2/874, 891; 2/171, 171.02; 362/104,
362/105
CPC H04R 25/00; H04R 25/02; H04R 1/1016;
H04R 1/1066; H04R 5/033; H04R
5/0335; H04R 1/1091; A44C 15/0015;
A45D 8/12
See application file for complete search history.

- 6,647,991 B2 * 11/2003 Silva A45D 8/24
132/273
- D537,984 S * 3/2007 Steudle D28/41
- D602,680 S * 10/2009 Lopez D2/891
- D611,200 S * 3/2010 Packard D29/122
- D636,560 S * 4/2011 Kelly D2/874
- D671,263 S * 11/2012 Weigl, Jr. D28/41
- D674,970 S * 1/2013 Ratner D29/102
- D683,329 S * 5/2013 Hagelin D14/205
- D701,022 S * 3/2014 Camarella D2/871
- D879,742 S * 3/2020 Hu D14/205
- D888,008 S * 6/2020 Yook D14/205
- D889,431 S * 7/2020 Huang D14/207
- D897,638 S * 10/2020 Hsu D2/871
- D901,436 S * 11/2020 Peng D14/205
- D926,157 S * 7/2021 Bae D14/207
- D928,115 S * 8/2021 Huang D14/207
- D936,631 S * 11/2021 Qin D14/205
- D944,768 S * 3/2022 He D14/206
- D951,906 S * 5/2022 Li D14/207

(Continued)

Primary Examiner — Paula Allen Greene

(74) *Attorney, Agent, or Firm* — Jose Cherson Weissbrot

(57) **CLAIM**

The ornamental design for a wireless headset, as shown and described.

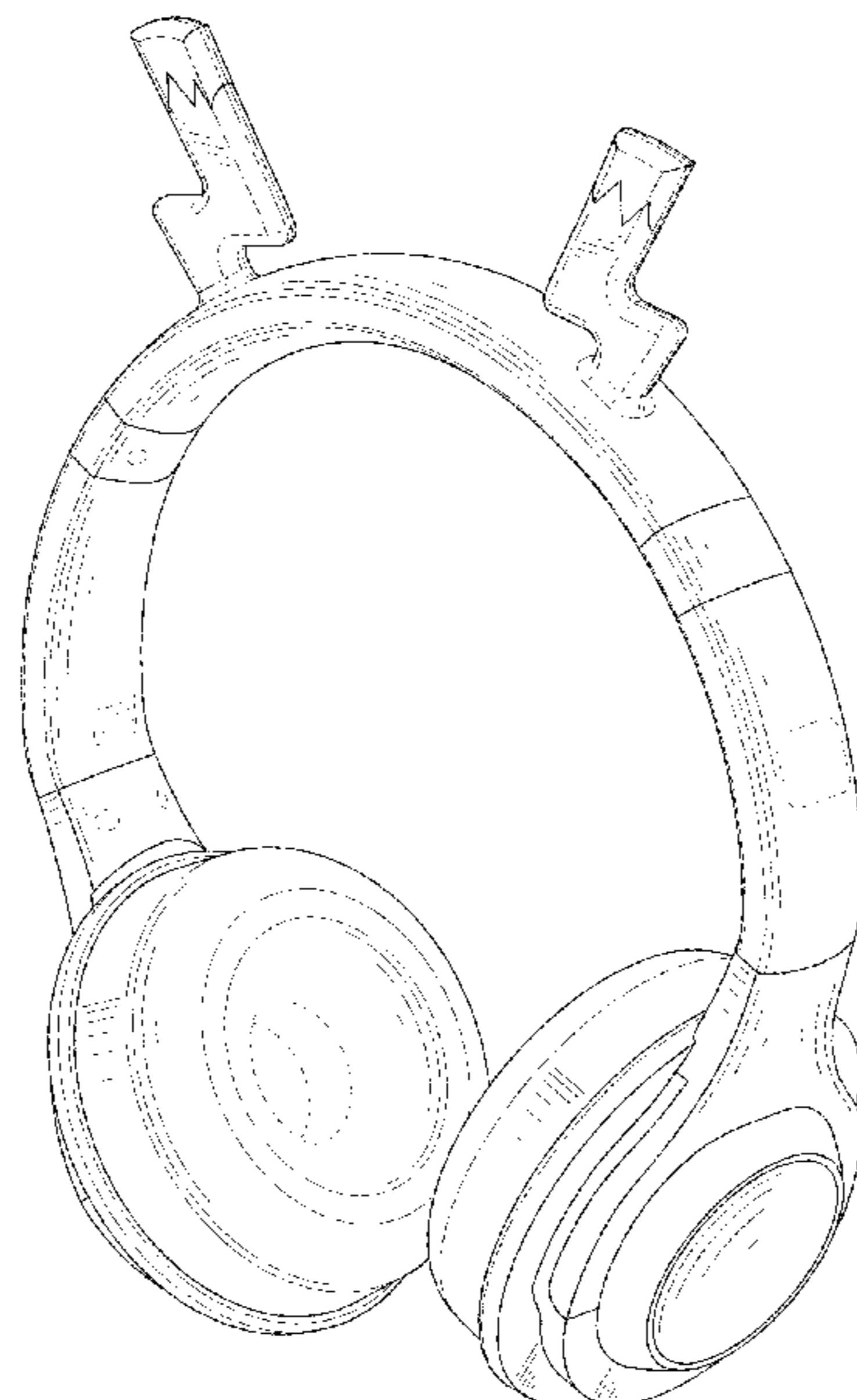
DESCRIPTION

FIG. 1 is a first perspective view of a wireless headset showing my new design;
 FIG. 2 is a second perspective view thereof;
 FIG. 3 is a front view thereof;
 FIG. 4 is a back view thereof;
 FIG. 5 is a left side view thereof;
 FIG. 6 is a right side view thereof;
 FIG. 7 is a top view thereof; and,
 FIG. 8 is a bottom view thereof.
 The broken lines shown in the drawings depict portions of the wireless headset that form no part of the claimed design.

1 Claim, 8 Drawing Sheets

(56) **References Cited**
U.S. PATENT DOCUMENTS

- 4,447,250 A * 5/1984 Wolens et al. A63H 37/00
2/209.13
- D274,537 S * 7/1984 Wolens D2/869
- D289,942 S * 5/1987 Wolens D2/866
- 4,936,699 A * 6/1990 Yoshida C09D 11/16
63/11
- 6,047,709 A * 4/2000 Tu A45D 8/36
132/273
- 6,289,903 B1 * 9/2001 Haufler A01K 27/006
63/23
- 6,513,167 B1 * 2/2003 Cheng A45D 8/36
2/209.13
- 6,626,184 B1 * 9/2003 Cheng A45D 8/36
2/209.13



(56)

References Cited

U.S. PATENT DOCUMENTS

D975,673	S	*	1/2023	Huang	D14/207
D975,674	S	*	1/2023	Li	D14/207
D989,738	S	*	6/2023	Liu	D14/207
D1,000,411	S	*	10/2023	Liu	D14/207
D1,000,412	S	*	10/2023	Liu	D14/207
2013/0271964	A1	*	10/2013	Rife	A45C 15/06 362/104
2014/0268682	A1	*	9/2014	Brady	A45D 8/36 362/105

* cited by examiner

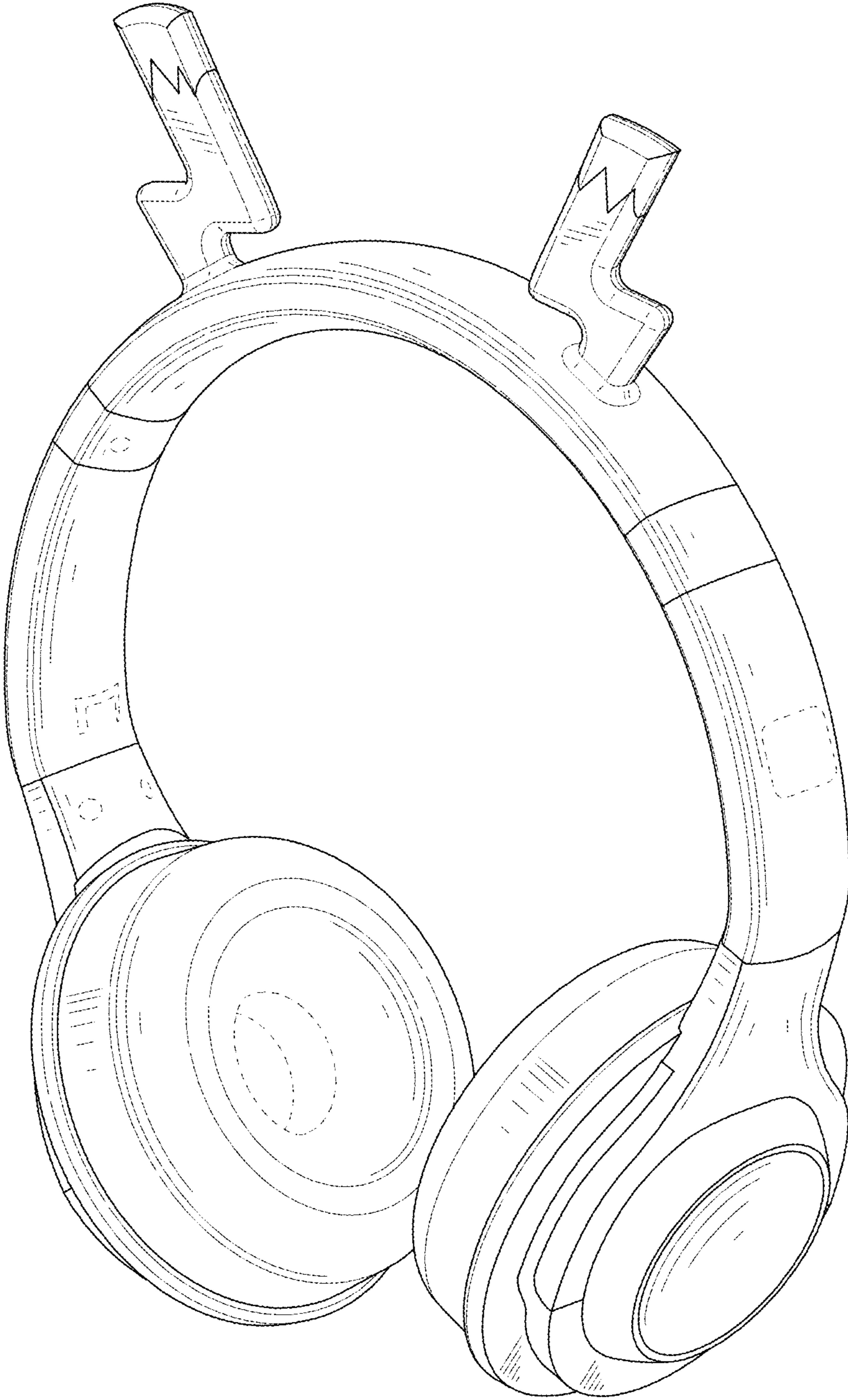


FIG. 1

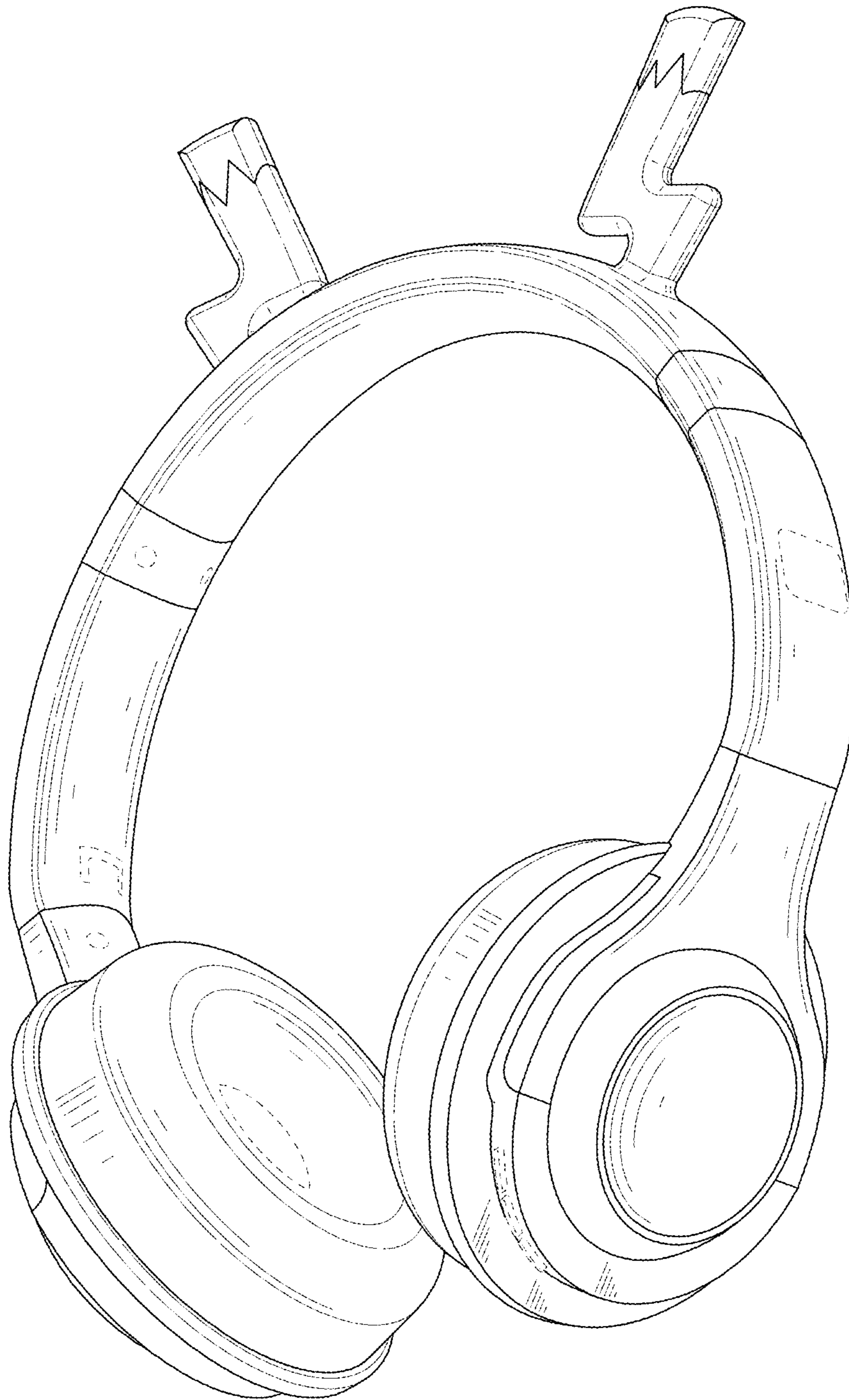


FIG. 2

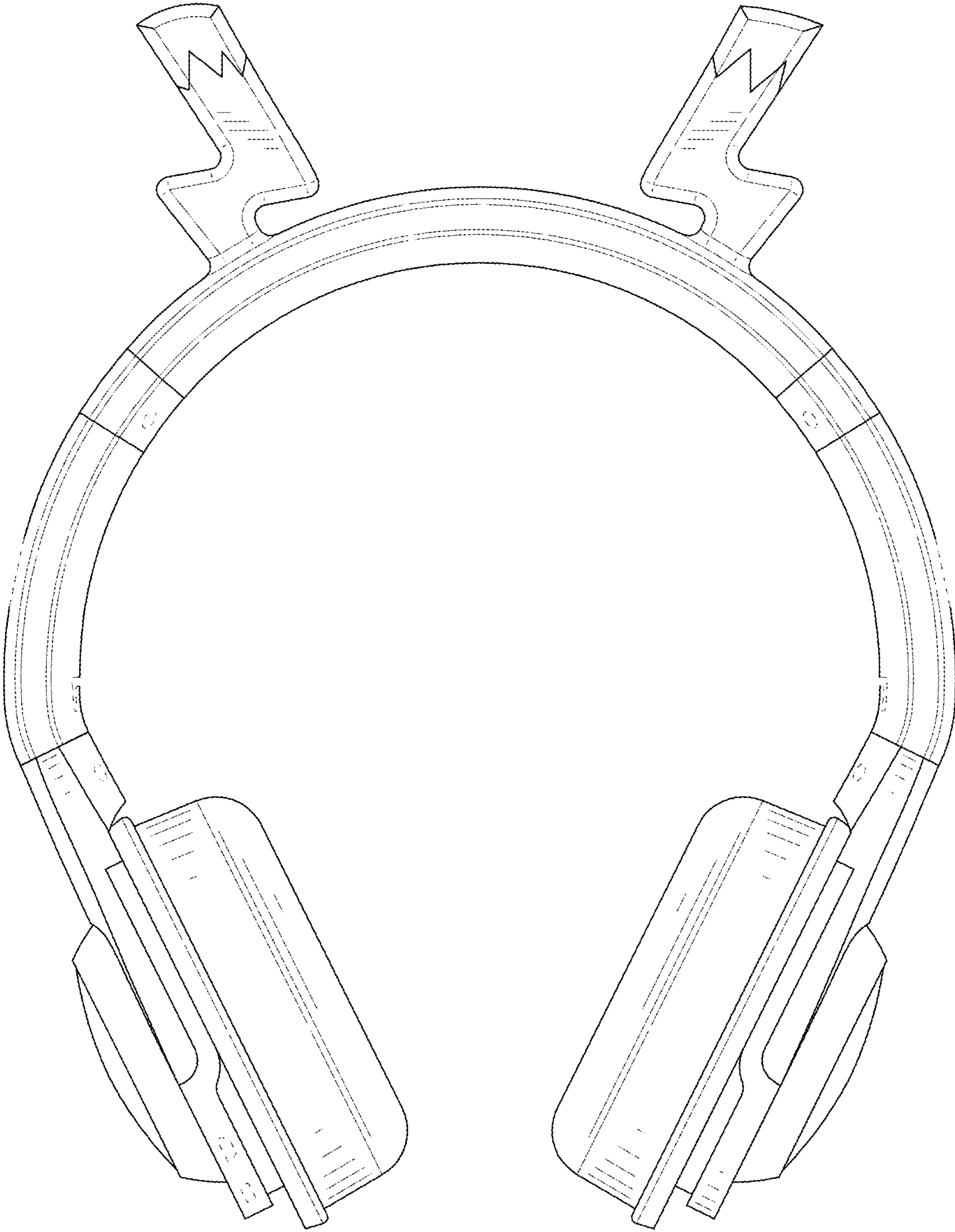


FIG. 3

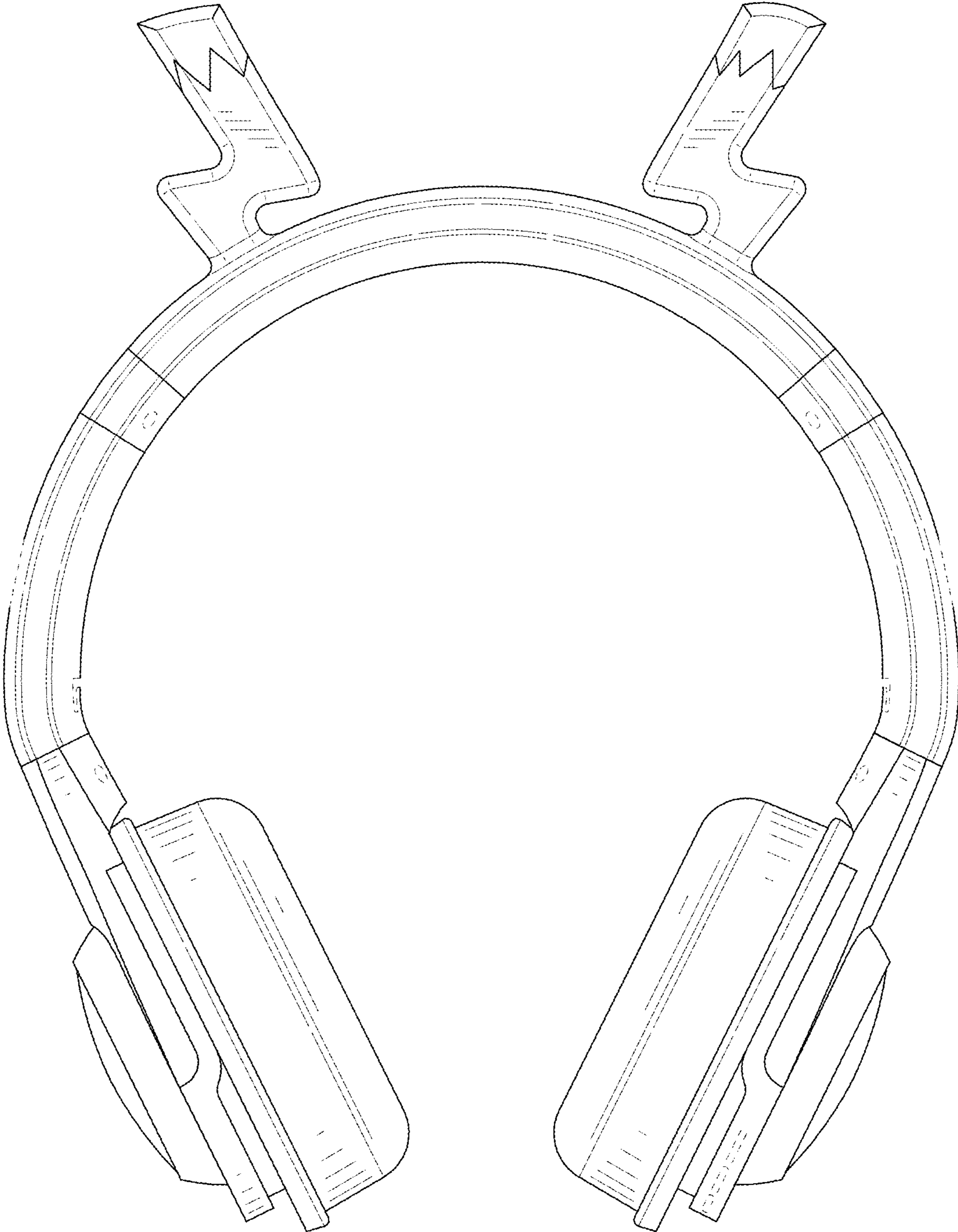


FIG. 4

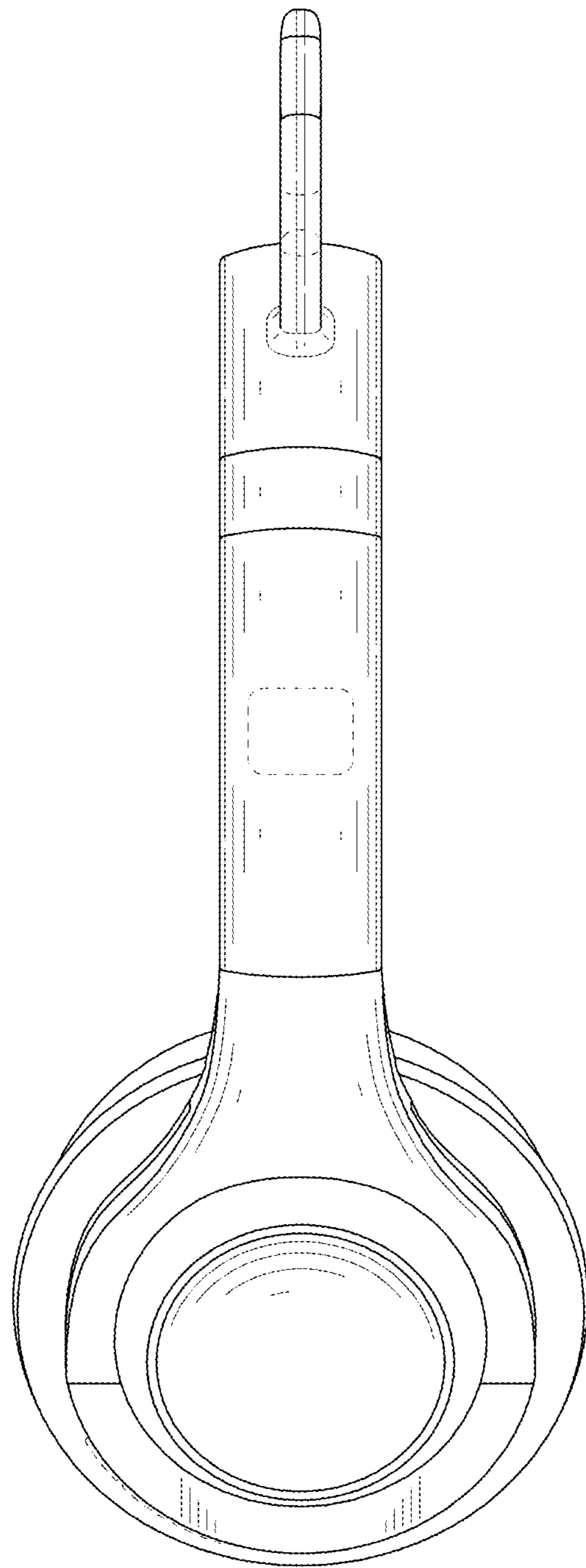


FIG. 5

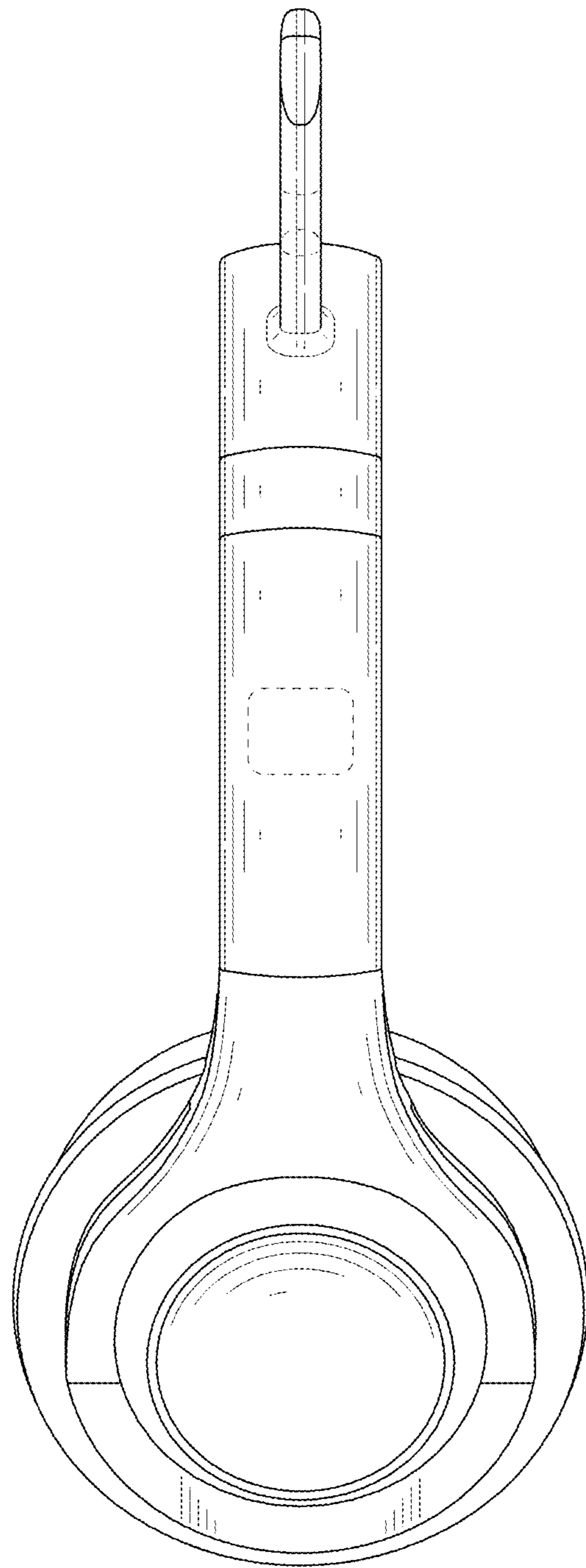


FIG. 6

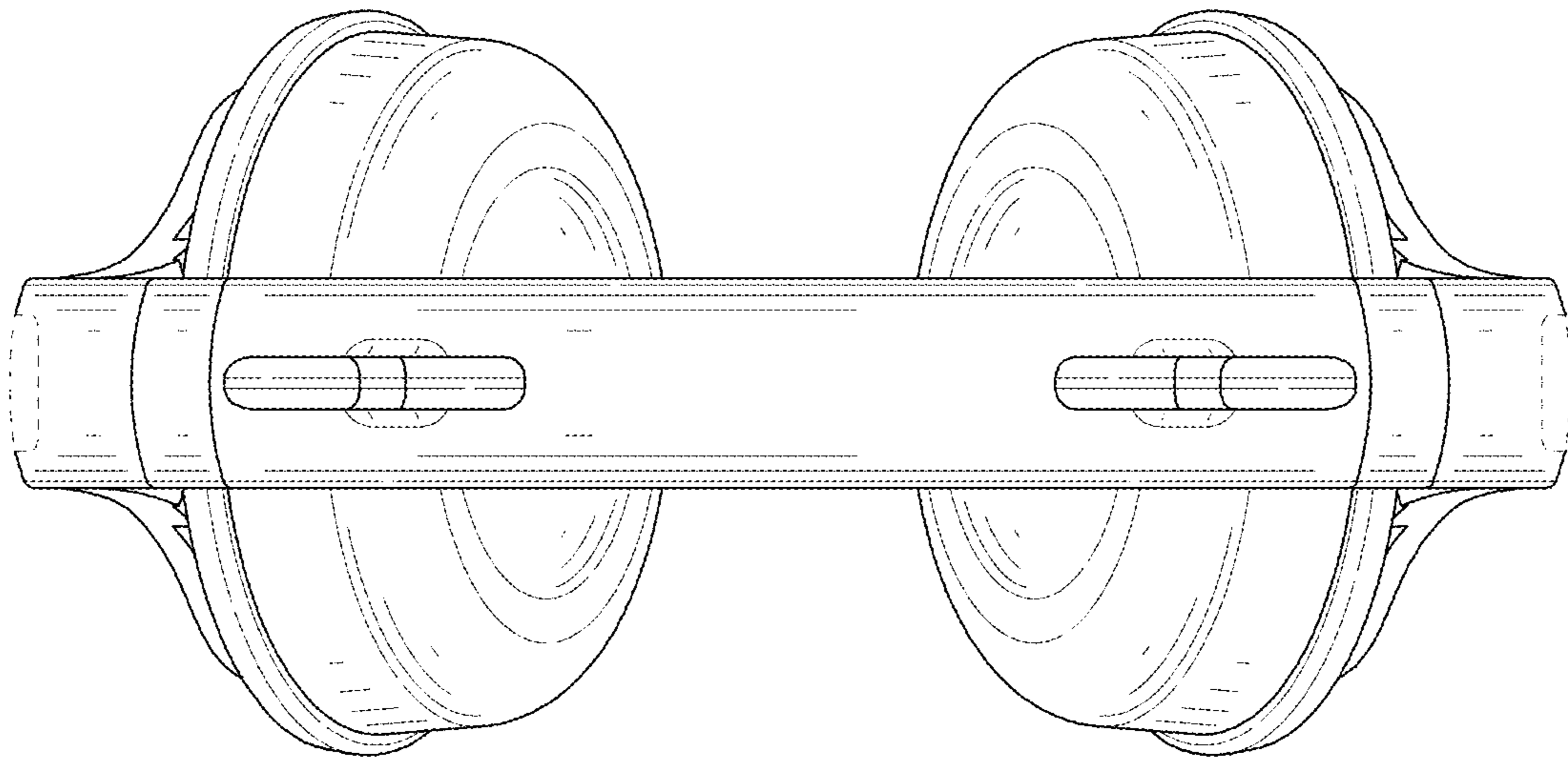


FIG. 7

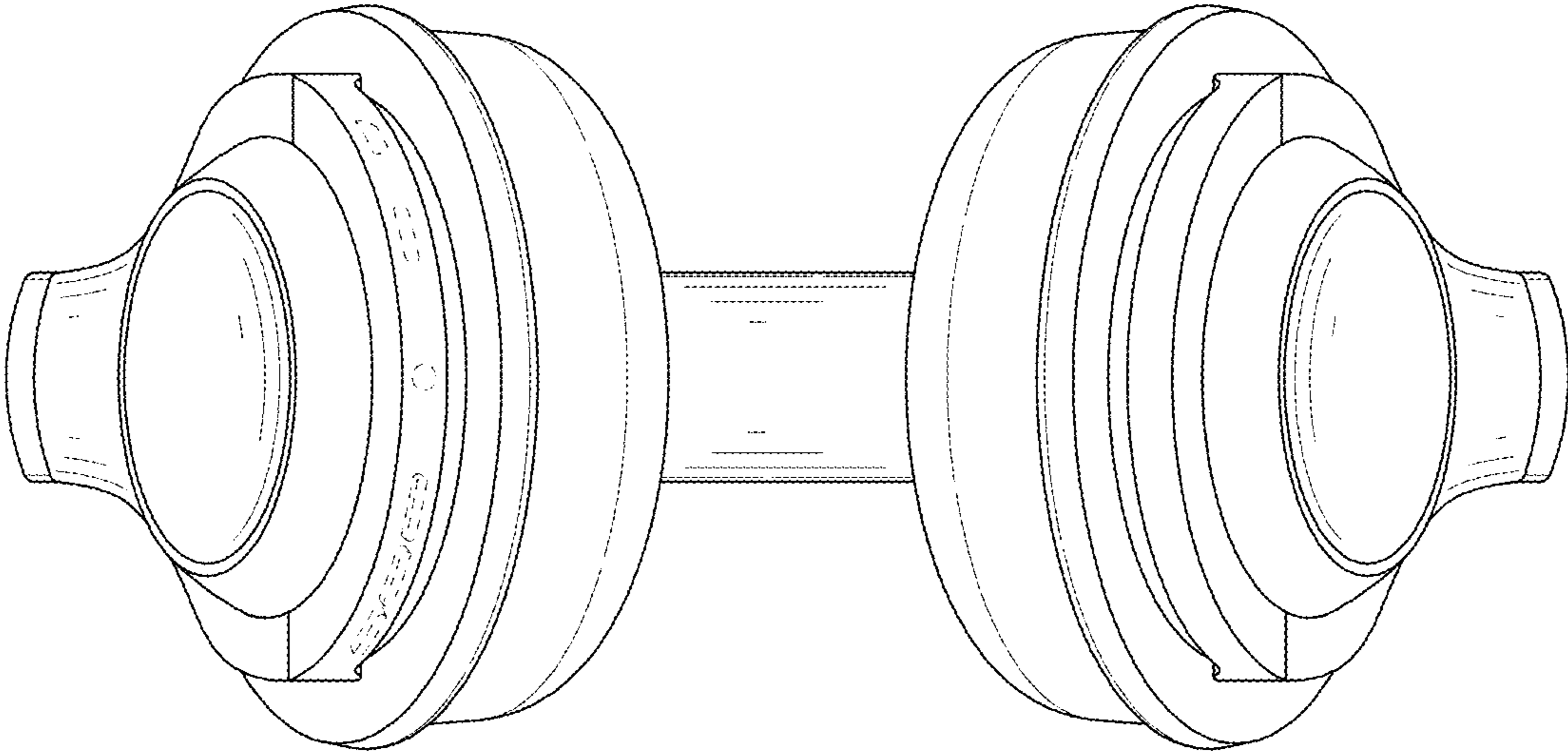


FIG. 8