



US0D1017514S

(12) **United States Design Patent**  
**Wang et al.**

(10) **Patent No.:** **US D1,017,514 S**

(45) **Date of Patent:** **\*\* Mar. 12, 2024**

(54) **GEAR SHIFTER**

(71) Applicants: **Zhejiang Geely Holding Group CO. LTD.**, Hangzhou (CN); **Shanghai Geely Diran Automobile Design CO. LTD.**, Shanghai (CN)

(72) Inventors: **Yangtao Wang**, Shanghai (CN); **Alex James O'Brien**, Shanghai (CN); **Jun Lu**, Shanghai (CN); **Justin Maurice Francis Scully**, Shanghai (CN); **Ning Huang**, Shanghai (CN); **Guy Donovan Burgoyne**, Shanghai (CN); **Peter Horbury**, Shanghai (CN)

(73) Assignees: **Zhejiang Geely Holding Group CO. LTD.**, Hangzhou (CN); **Shanghai Geely Diran Automobile Design CO. LTD.**, Shanghai (CN)

(\*\*) Term: **15 Years**

(21) Appl. No.: **29/812,764**

(22) Filed: **Oct. 25, 2021**

(30) **Foreign Application Priority Data**

Jul. 28, 2021 (CN) ..... 202130482024.6

(51) **LOC (14) Cl.** ..... **12-16**

(52) **U.S. Cl.**  
USPC ..... **D12/179**

(58) **Field of Classification Search**  
USPC ..... D8/300-303, 307; D12/179, 195, 220, D12/415; D14/412-416  
CPC ..... F16H 59/0278; F16H 63/42  
See application file for complete search history.

(56) **References Cited**

**U.S. PATENT DOCUMENTS**

D416,525 S \* 11/1999 Sacco ..... D12/179  
D436,333 S \* 1/2001 Awastu ..... D12/179

D440,918 S \* 4/2001 Pfeiffer ..... D12/179  
D440,919 S \* 4/2001 Pfeiffer ..... D12/179  
D463,765 S \* 10/2002 Pfeiffer ..... D12/179  
D473,501 S \* 4/2003 Yoshida ..... D12/179  
D483,308 S \* 12/2003 Hartono ..... D12/179  
D484,078 S \* 12/2003 Hartono ..... D12/179  
D562,745 S \* 2/2008 Schowalter ..... D12/179  
D740,732 S \* 10/2015 Ernstsson ..... D12/179  
D906,199 S \* 12/2020 Persson ..... D12/179  
D927,955 S \* 8/2021 Kaneko ..... D12/179  
D936,540 S \* 11/2021 Bernal ..... D12/179  
D938,870 S \* 12/2021 Wilhelm ..... D12/179

(Continued)

**OTHER PUBLICATIONS**

Amazon.com, Speed Gear Shifter Knob Car Gear Shift Knob for Toyota for Tacoma, published Mar. 19, 2022 [retrieved Nov. 29, 2023]. Retrieved from the internet <<https://www.amazon.co.uk/Speed-Shifter-Toyota-Tacoma-Avalon/dp/B09YL9FFG9>> (Year: 2022).\*

(Continued)

*Primary Examiner* — Joseph Kukella  
*Assistant Examiner* — Lavon M. Amerson

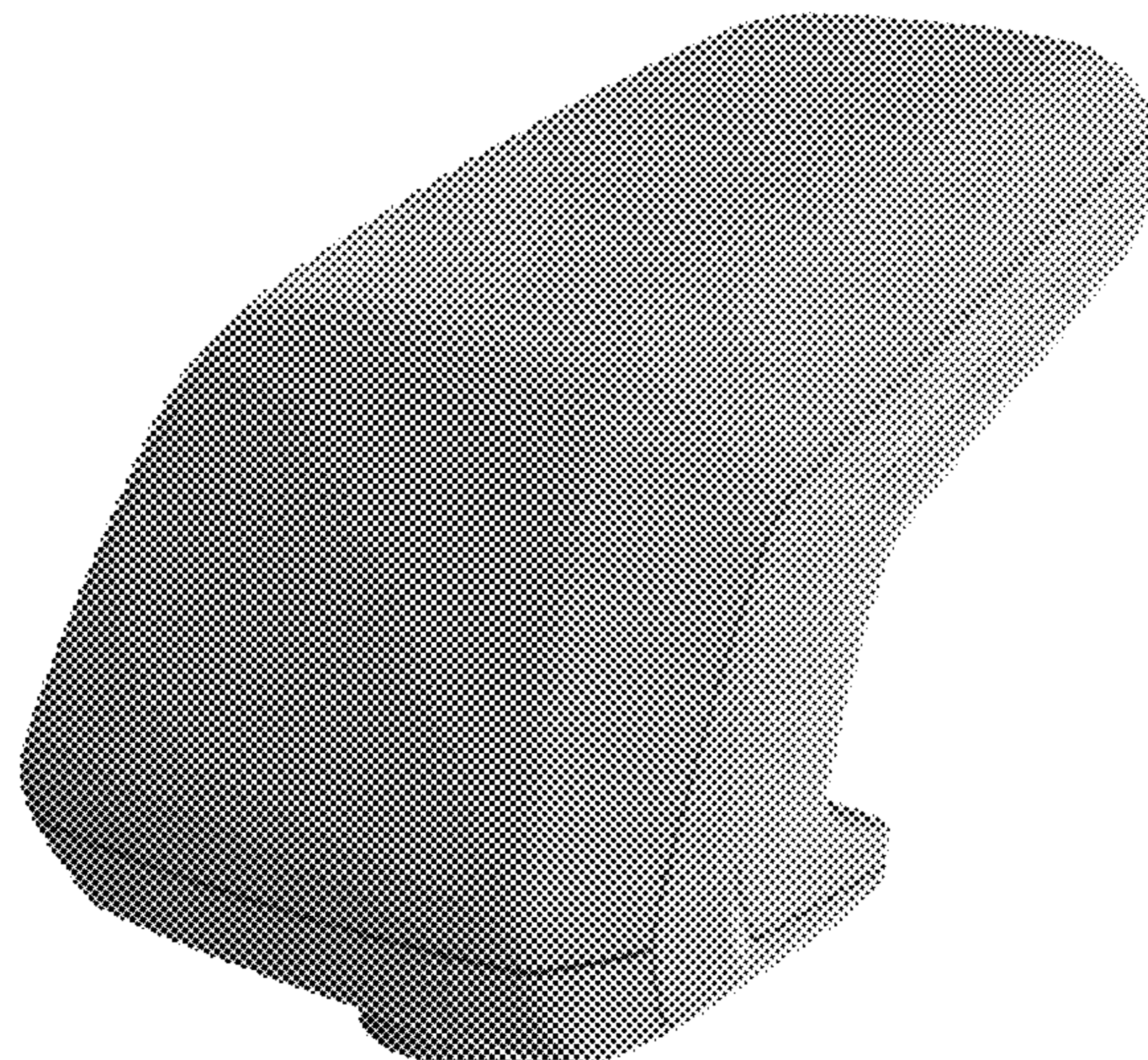
(57) **CLAIM**

The ornamental design for a gear shifter, as shown and described.

**DESCRIPTION**

FIG. 1 is a front elevational view of a gear shifter showing our new design.  
FIG. 2 is a rear elevational view thereof.  
FIG. 3 is a left side view thereof.  
FIG. 4 is a right side view thereof.  
FIG. 5 is a top view thereof.  
FIG. 6 is a bottom view thereof.  
FIG. 7 is a perspective view thereof; and,  
FIG. 8 is another perspective view thereof.

**1 Claim, 4 Drawing Sheets**



(56)

**References Cited**

U.S. PATENT DOCUMENTS

D991,116 S \* 7/2023 Ling ..... D12/179  
D993,847 S \* 8/2023 Dunaway ..... D12/179  
D993,848 S \* 8/2023 Yamamoto ..... D12/179  
2019/0368599 A1\* 12/2019 Guevara ..... F16H 59/0278  
2020/0271218 A1\* 8/2020 Kreinest ..... F16H 61/24

OTHER PUBLICATIONS

khmer24.com, Geely coolray GF+ 2024, published Nov. 7, 2023  
[retrieved Nov. 29, 2023]. Retrieved from the internet<<https://www.khmer24.com/en/cars/geely-coolray-gf-2024-adid-10196394>> (Year: 2023).\*

\* cited by examiner

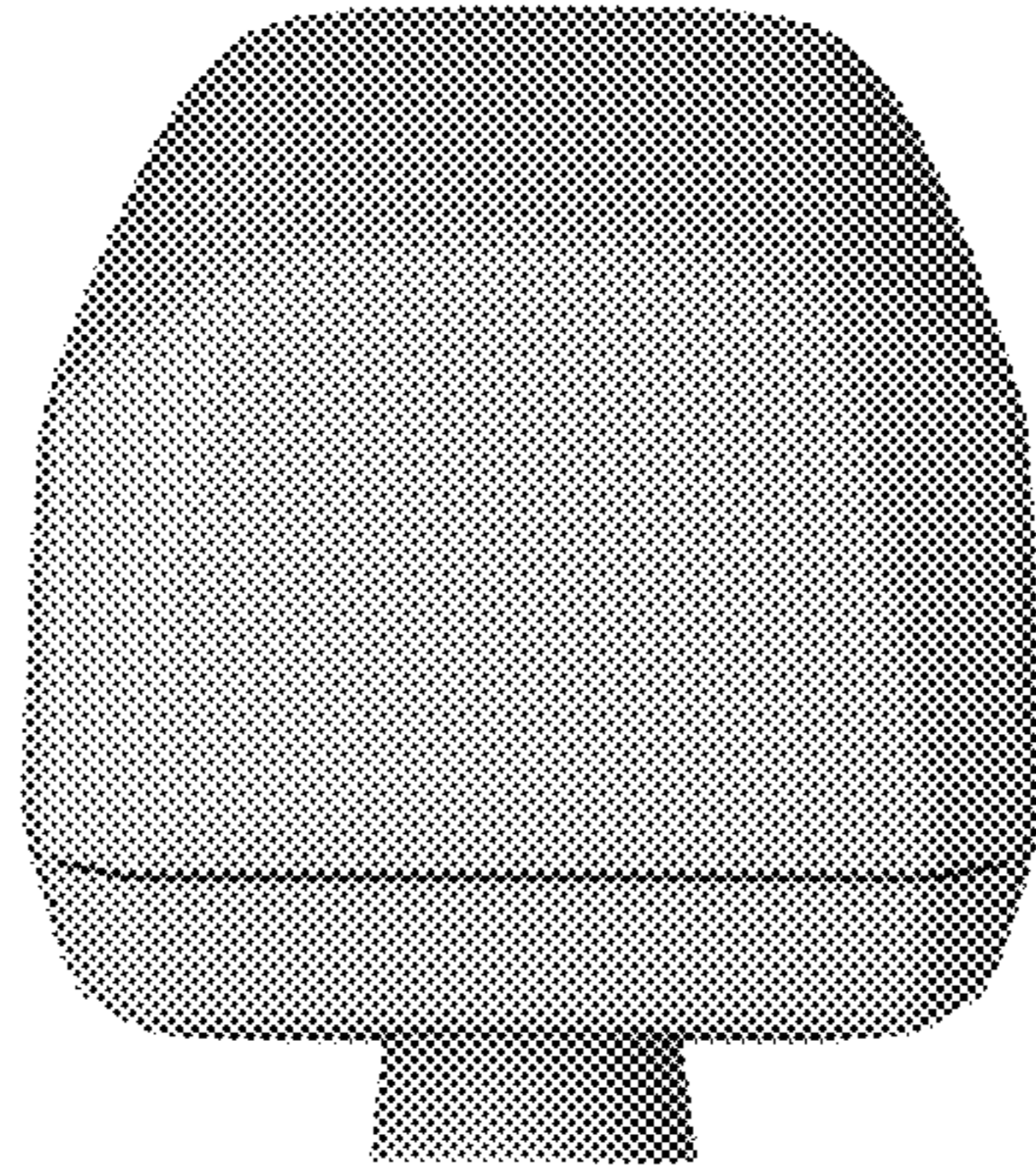


Figure 1



Figure 2



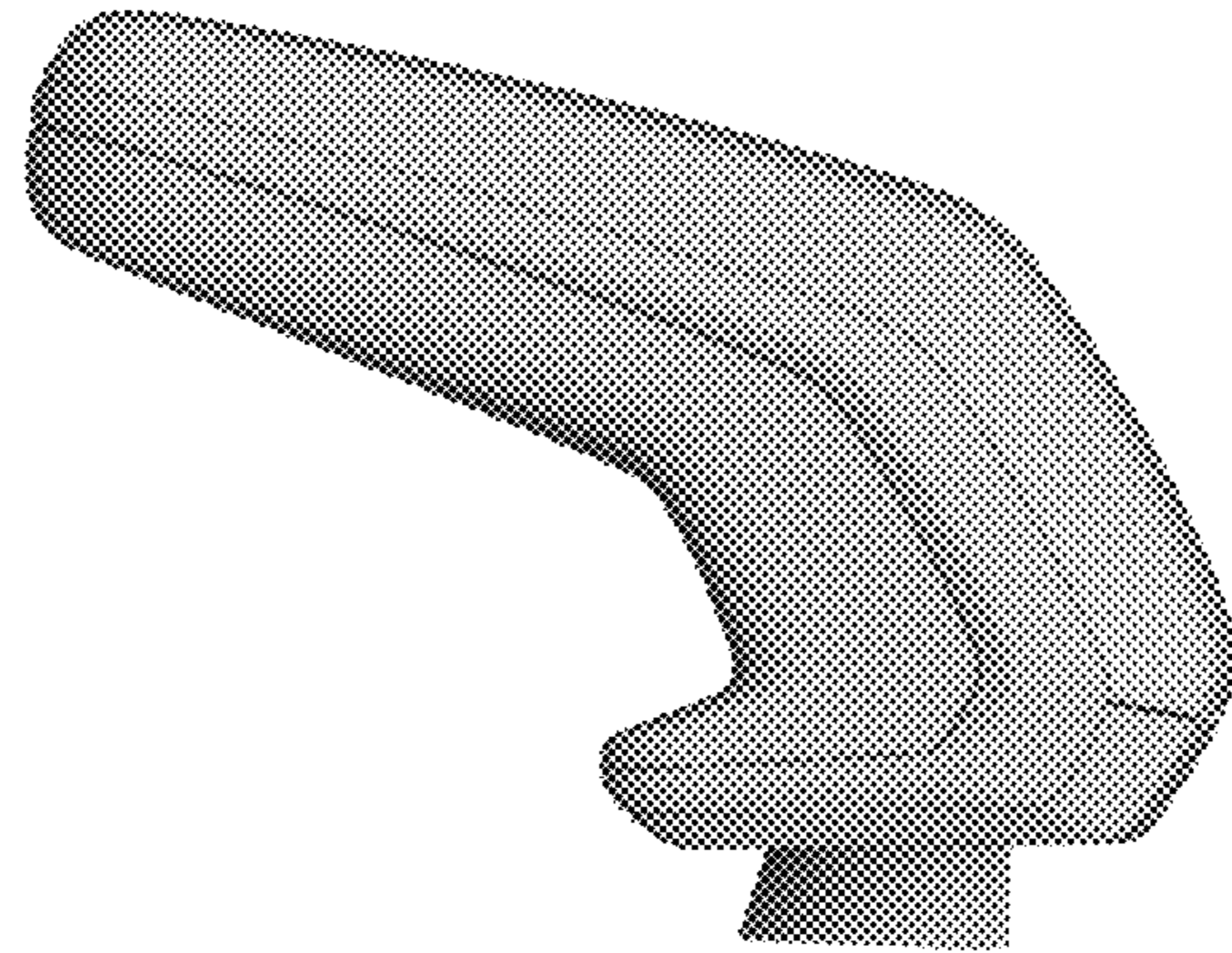


Figure 3

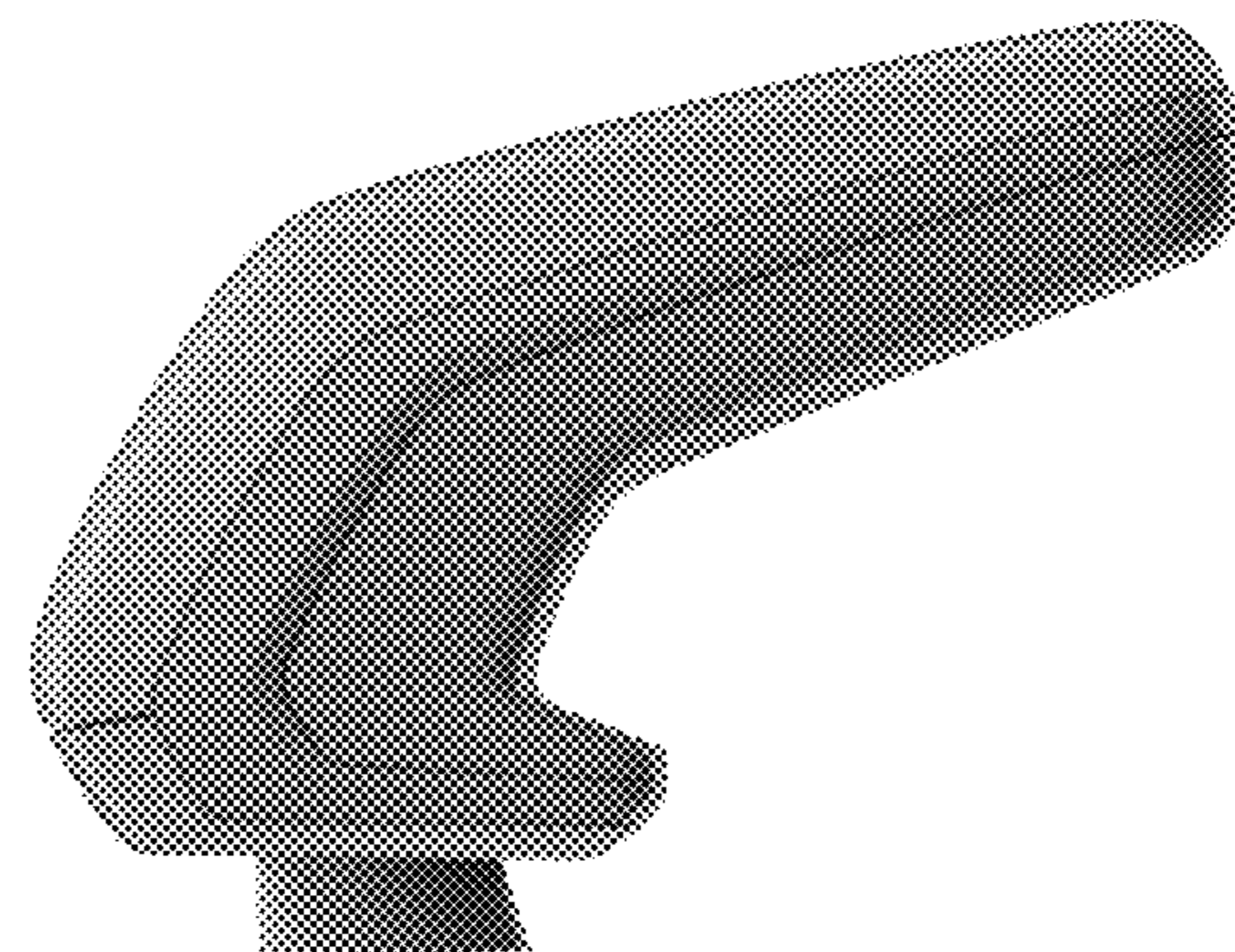


Figure 4

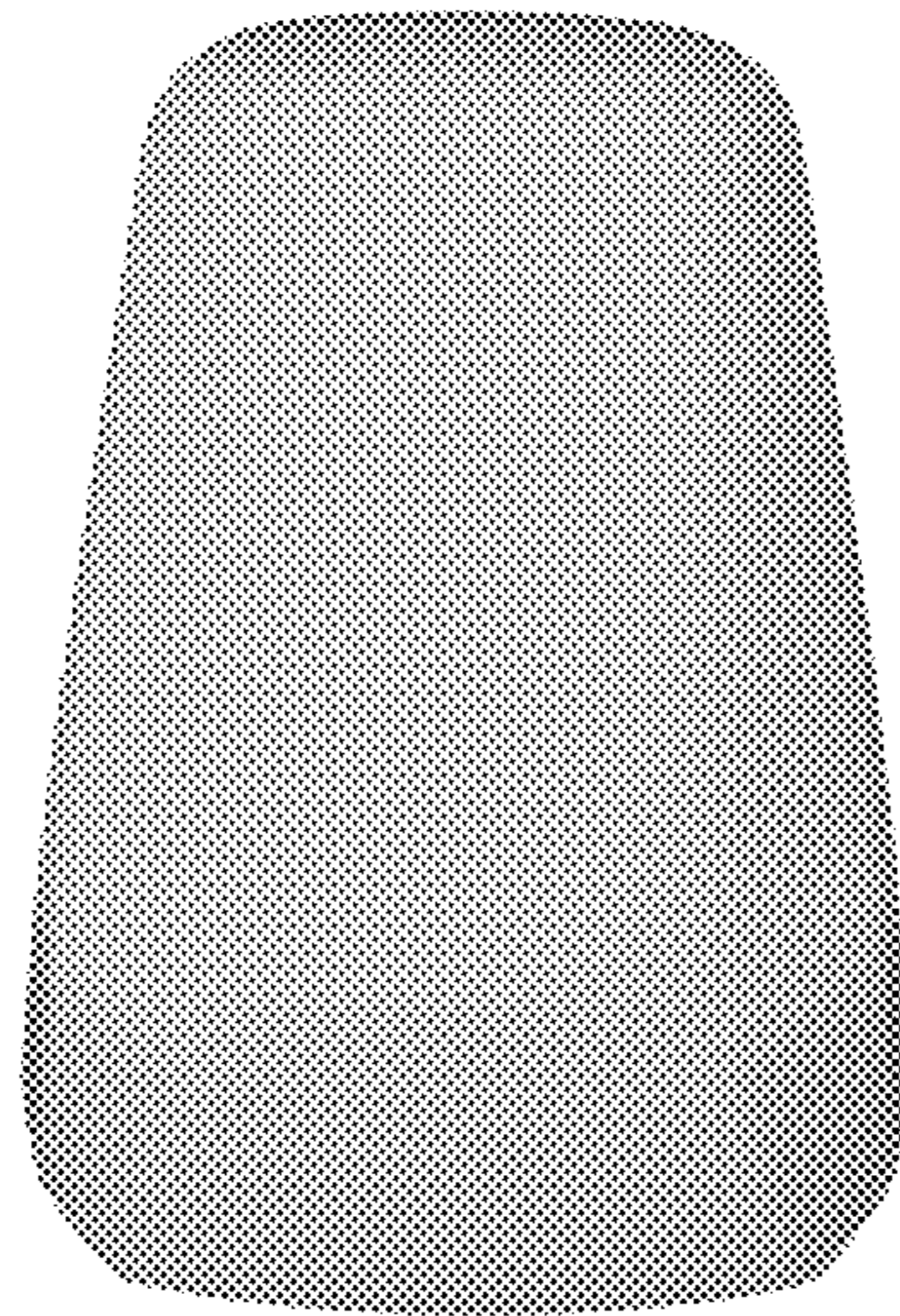


Figure 5

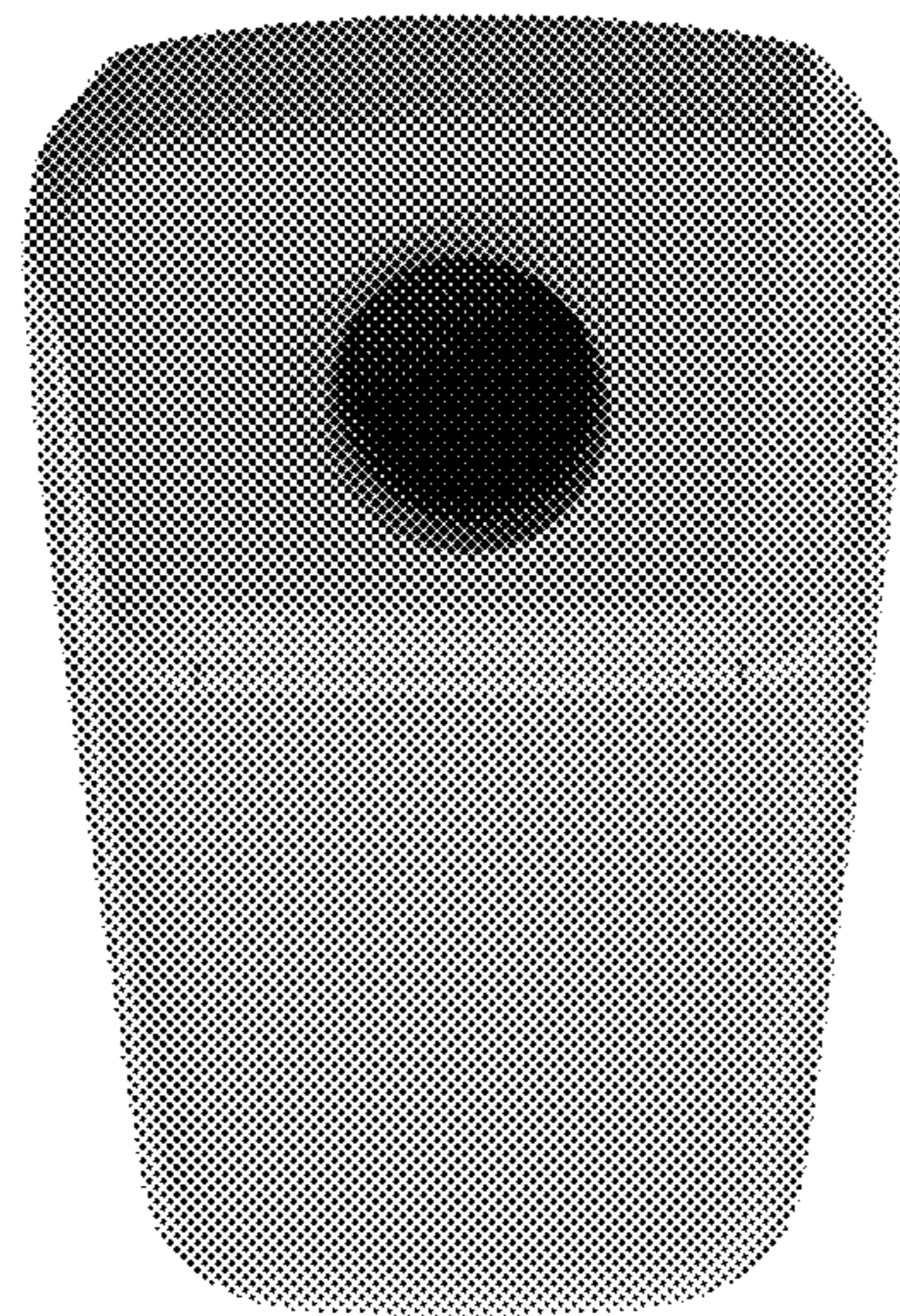


Figure 6

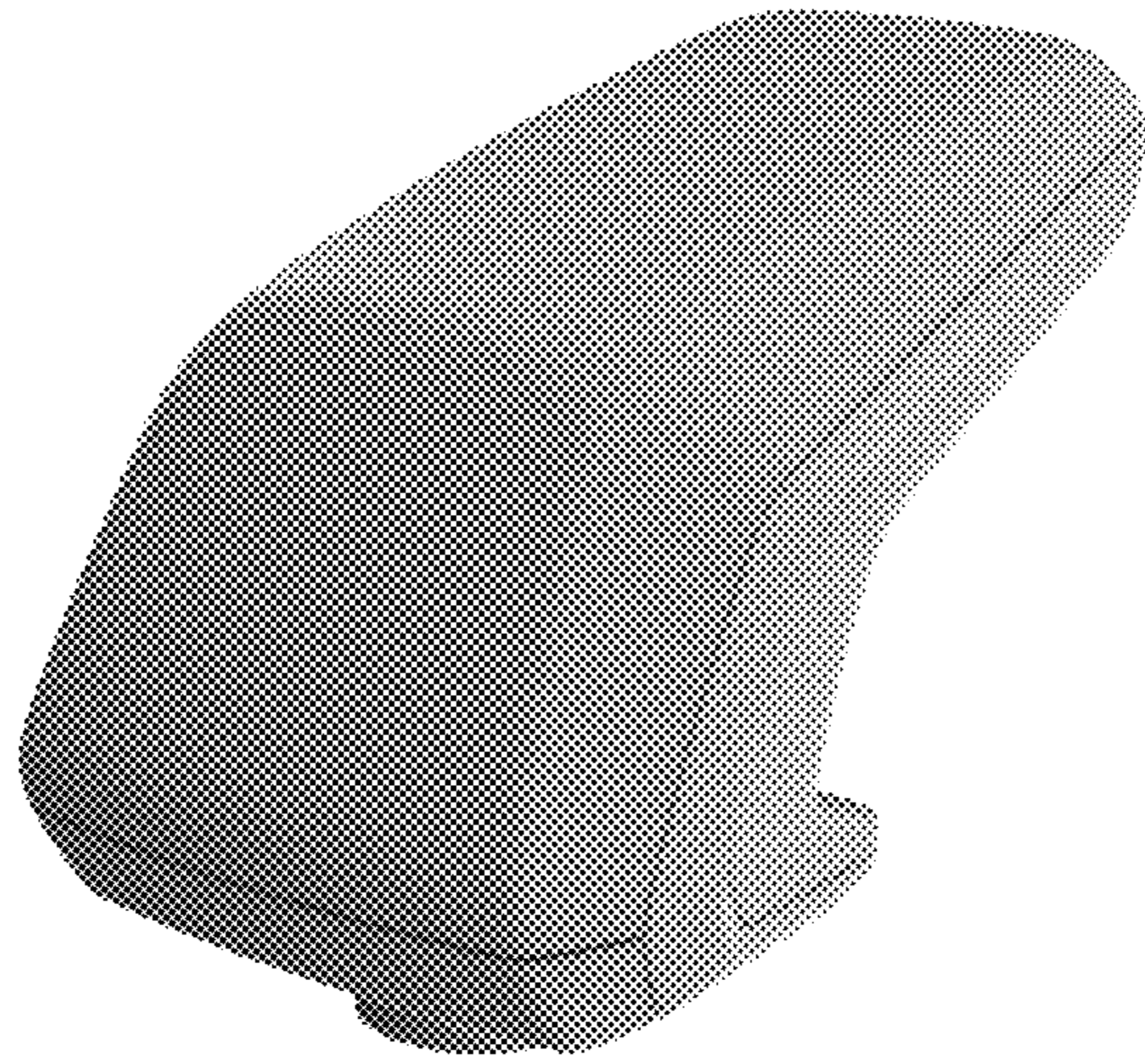


Figure 7

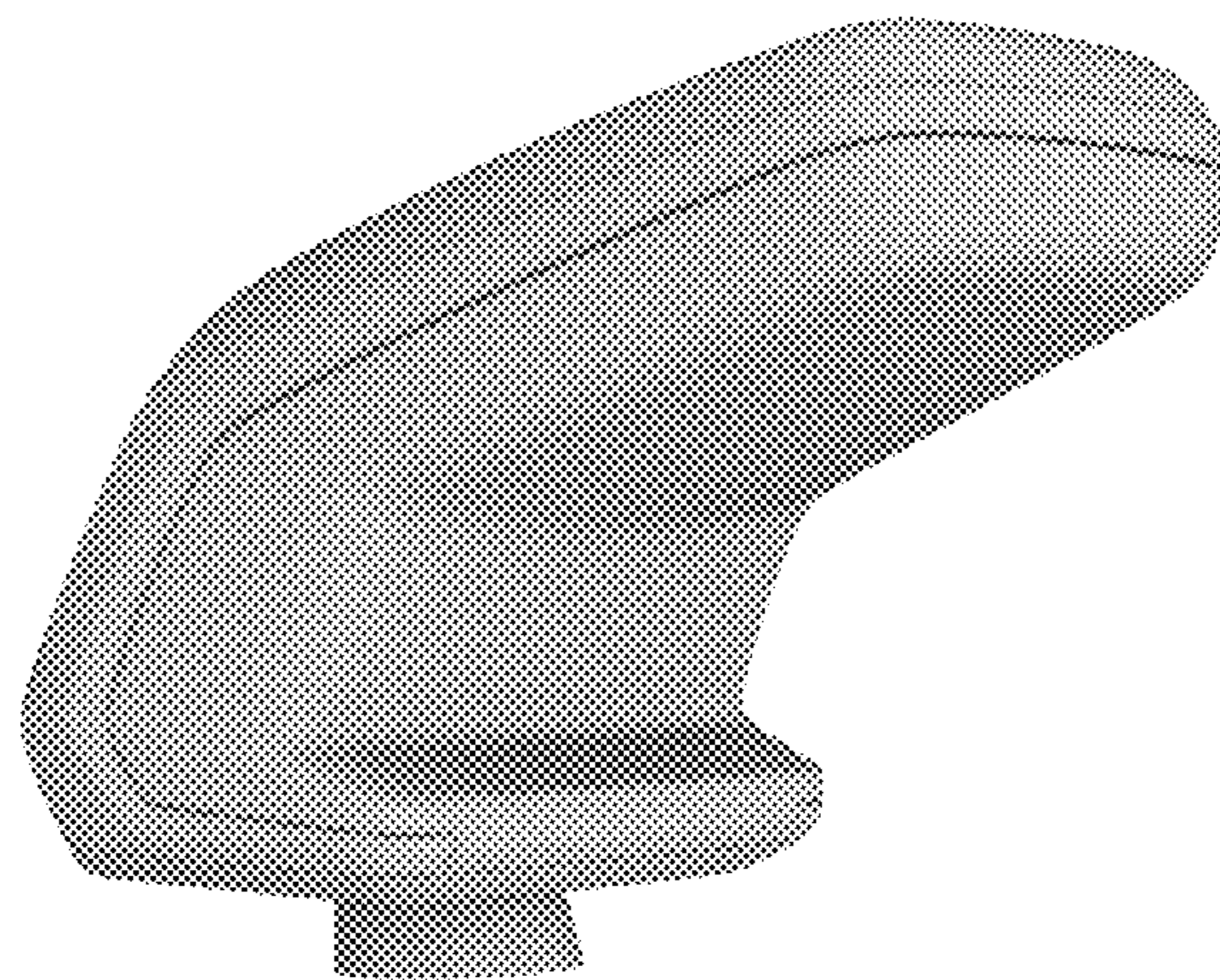


Figure 8