



US0D1017461S

(12) **United States Design Patent** (10) **Patent No.:** **US D1,017,461 S**  
**Zitron et al.** (45) **Date of Patent:** **\*\* Mar. 12, 2024**

(54) **STRAP LINK**  
(71) Applicant: **MODL, Inc.**, Dunwoody, GA (US)  
(72) Inventors: **Victor Barak Zitron**, Sandy Springs, GA (US); **Zachary W. Leitz**, Dunwoody, GA (US); **Justin Guld**, Raleigh, NC (US)  
(73) Assignee: **MODL, Inc.**, Dunwoody, GA (US)  
(\*\*) Term: **15 Years**  
(21) Appl. No.: **29/838,481**  
(22) Filed: **May 12, 2022**  
(51) **LOC (14) Cl.** ..... **02-07**  
(52) **U.S. Cl.**  
USPC ..... **D11/218; D8/344**  
(58) **Field of Classification Search**  
USPC ..... D11/86-87, 93-94, 200, 202, 208, 210, D11/212, 218, 222, 228, 231; D2/627, D2/639; D8/44, 344, 349, 354, 356, 367, D8/382-383; D30/138-140, 144, D30/151-153; D29/122; D3/215, 222, D3/228, 243; D21/839  
CPC ..... A01K 27/002; A44B 11/00; A44B 11/006; A44B 11/02; A44B 11/04; A44B 11/18; A44B 11/22; A44B 11/25; A44B 11/2553; A44B 11/28; A44B 19/00; A44B 19/10; A44B 19/14; A44B 19/16; A44B 19/26; A44B 19/267; A44B 19/30; A44B 19/303; A44B 13/00; A44B 13/0035; A44B 13/0088; A62B 35/00; A62B 35/0031  
See application file for complete search history.

D768,028 S \* 10/2016 Ling ..... D11/87  
D769,109 S \* 10/2016 Kaiser ..... D8/382  
D771,914 S \* 11/2016 Cho ..... D2/891  
D874,905 S 2/2020 Gaddy  
11,363,856 B2 6/2022 Gaddy  
2014/0208546 A1\* 7/2014 Lee ..... A44C 5/2023  
24/3.2

(Continued)

**OTHER PUBLICATIONS**

Modl Intro to the Company, Date Available Feb. 23, 2022, YouTube, Site Visited on Oct. 17, 2023: <https://www.youtube.com/watch?v=swqXg9vyETY> (Year: 2022).\*

(Continued)

*Primary Examiner* — Llorellys Martinez-Rivera  
*Assistant Examiner* — Nicole M. Leech  
(74) *Attorney, Agent, or Firm* — Skaar Ulbrich Macari, P.A.

(57) **CLAIM**

We claim the ornamental design for a strap link, as shown and described.

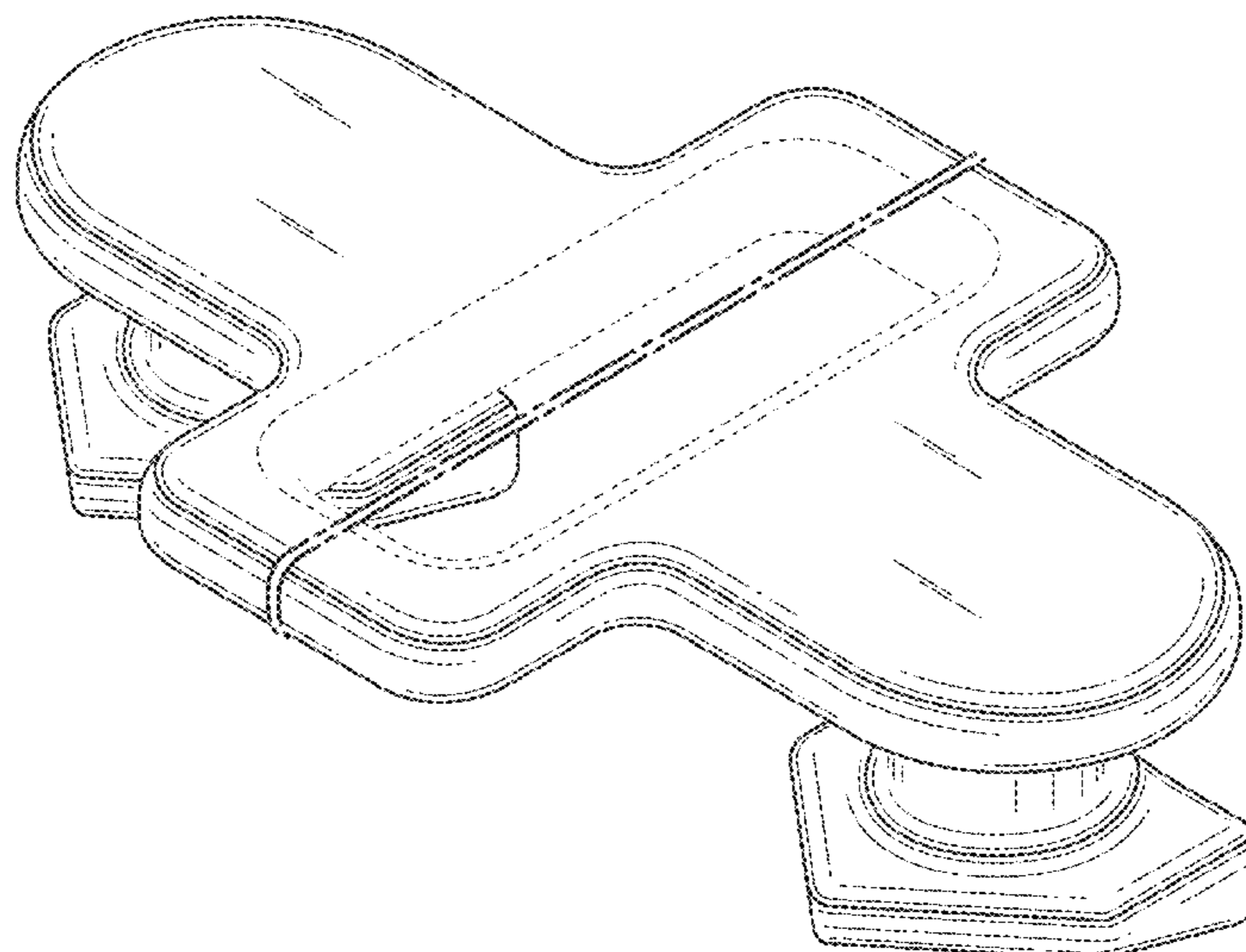
**DESCRIPTION**

FIG. 1 is a perspective view of a strap link showing our new design.  
FIG. 2 is a first side view of the strap link of FIG. 1.  
FIG. 3 is a second side view of the strap link of FIG. 1.  
FIG. 4 is a first end view of the strap link of FIG. 1; the opposite end view being a mirror image thereof.  
FIG. 5 is a top view of the strap link of FIG. 1; and, FIG. 6 is a bottom view of the strap link of FIG. 1.  
The broken lines in the drawings represent portions of the strap link and form no part of the claimed design. The strap link is shown with a symbolic break in its length indicated by the dot-dashed parallel lines. The appearance of any portion of the strap link between the line breaks forms no part of the claimed design.

**1 Claim, 6 Drawing Sheets**

(56) **References Cited**  
U.S. PATENT DOCUMENTS

D410,411 S \* 6/1999 Fildan ..... D11/210  
D760,070 S \* 6/2016 Sarnowski ..... D8/382  
D766,072 S \* 9/2016 Chan ..... D8/356



(56)

**References Cited**

U.S. PATENT DOCUMENTS

2020/0229552 A1\* 7/2020 Amsalem ..... G04G 17/02

OTHER PUBLICATIONS

Modl Outdoors, Date Available May 19, 2022, Facebook, Site Visited on Oct. 17, 2023: <https://www.facebook.com/modl.outdoors/photos/pb.100064001314990.-2207520000/1477716795959658/?type=3> (Year: 2022).\*

Titan Utility Straps, Date Available Nov. 18, 2014, Amazon, Site Visited on Oct. 17, 2023: <https://www.amazon.com/Titan-Utility-Straps-Working-Projects/dp/B07W86BB79/> (Year: 2014).\*

\* cited by examiner

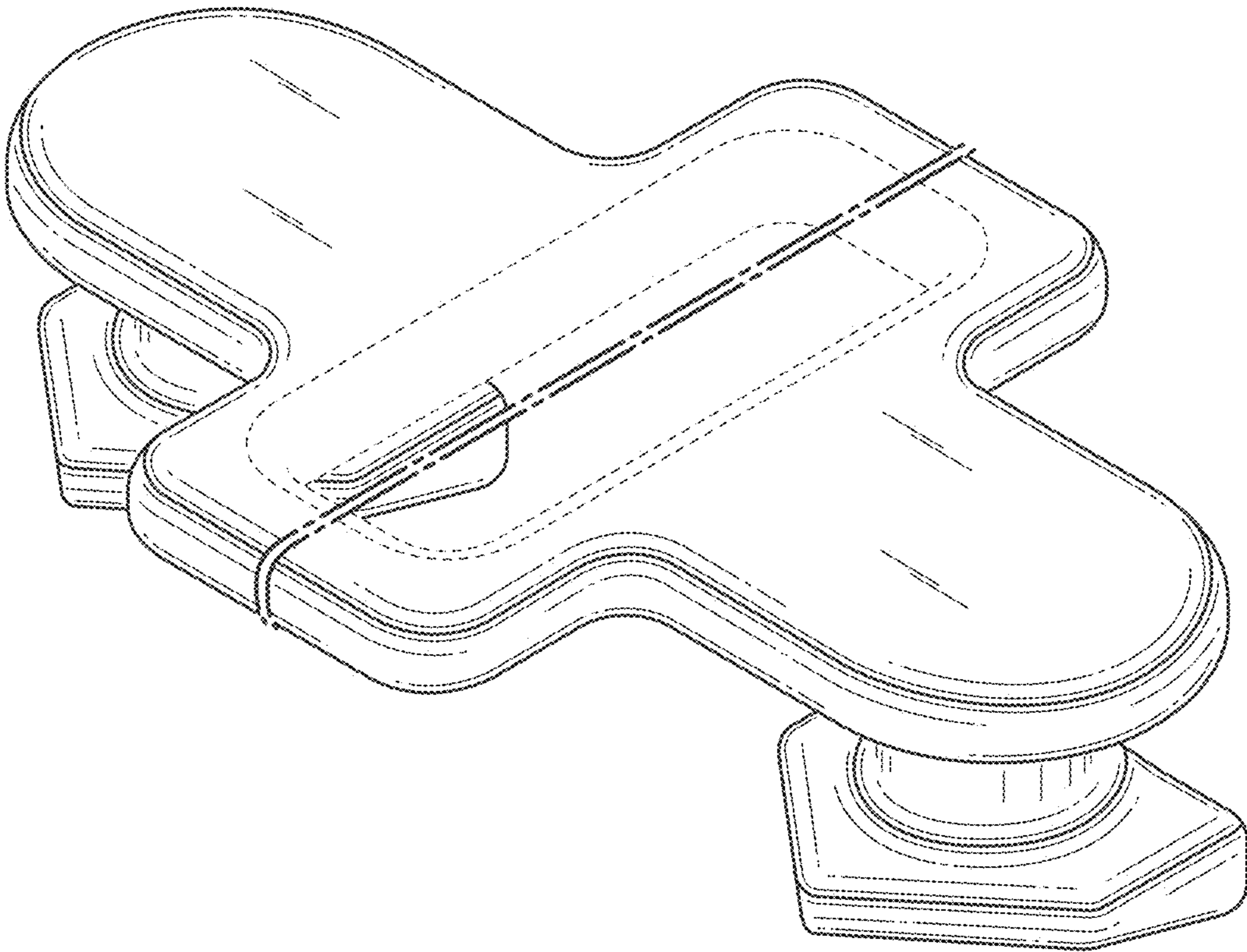


FIG. 1

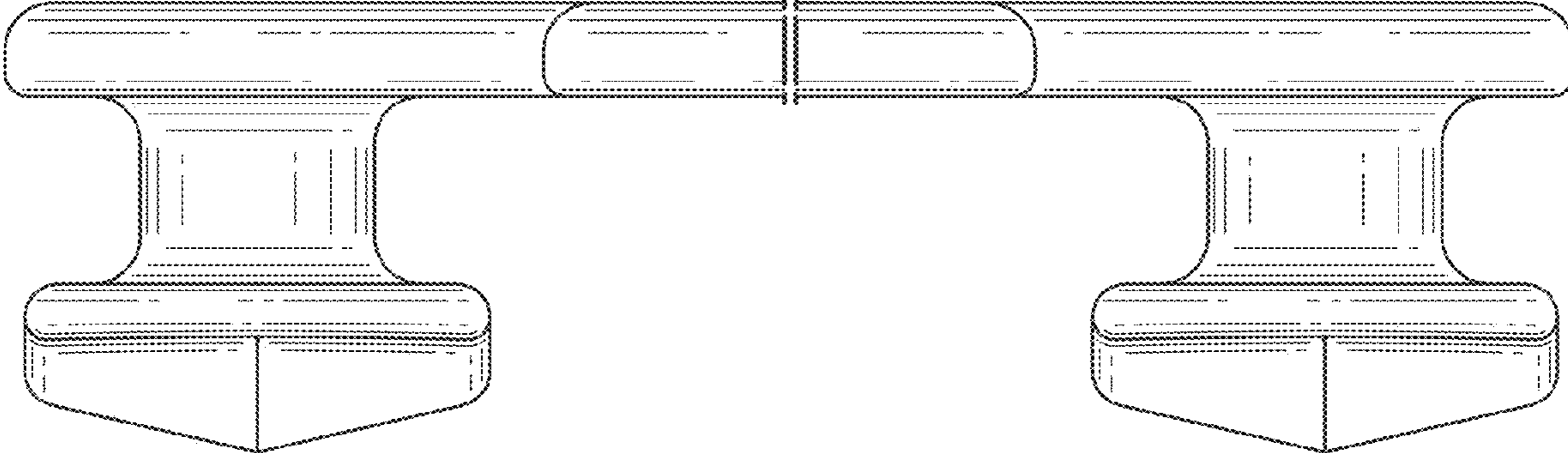


FIG. 2

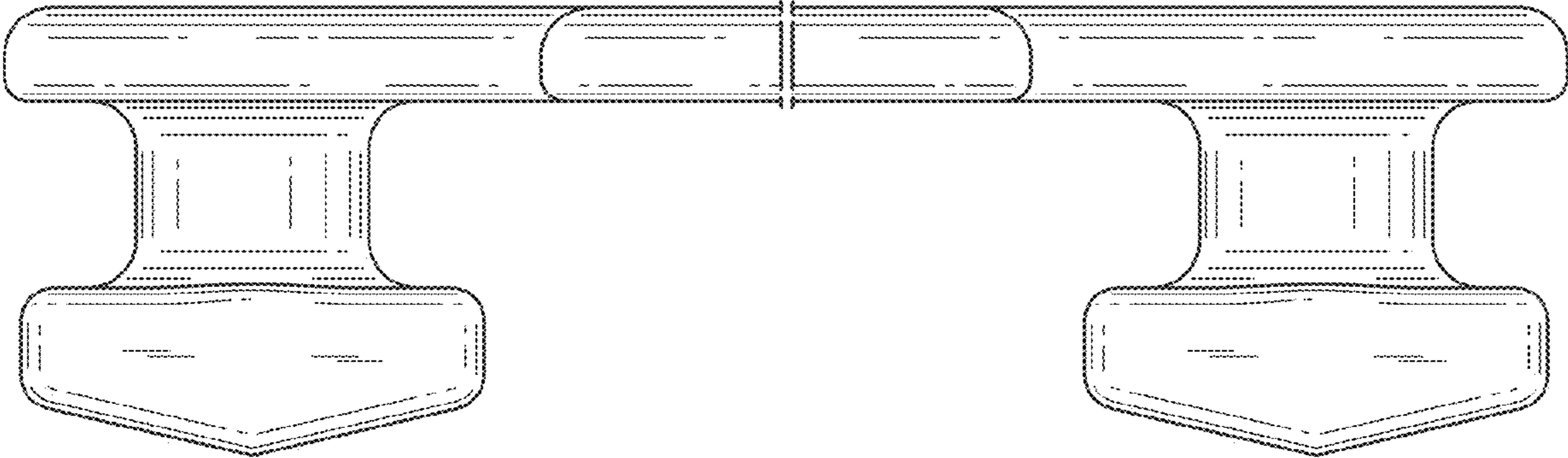


FIG. 3

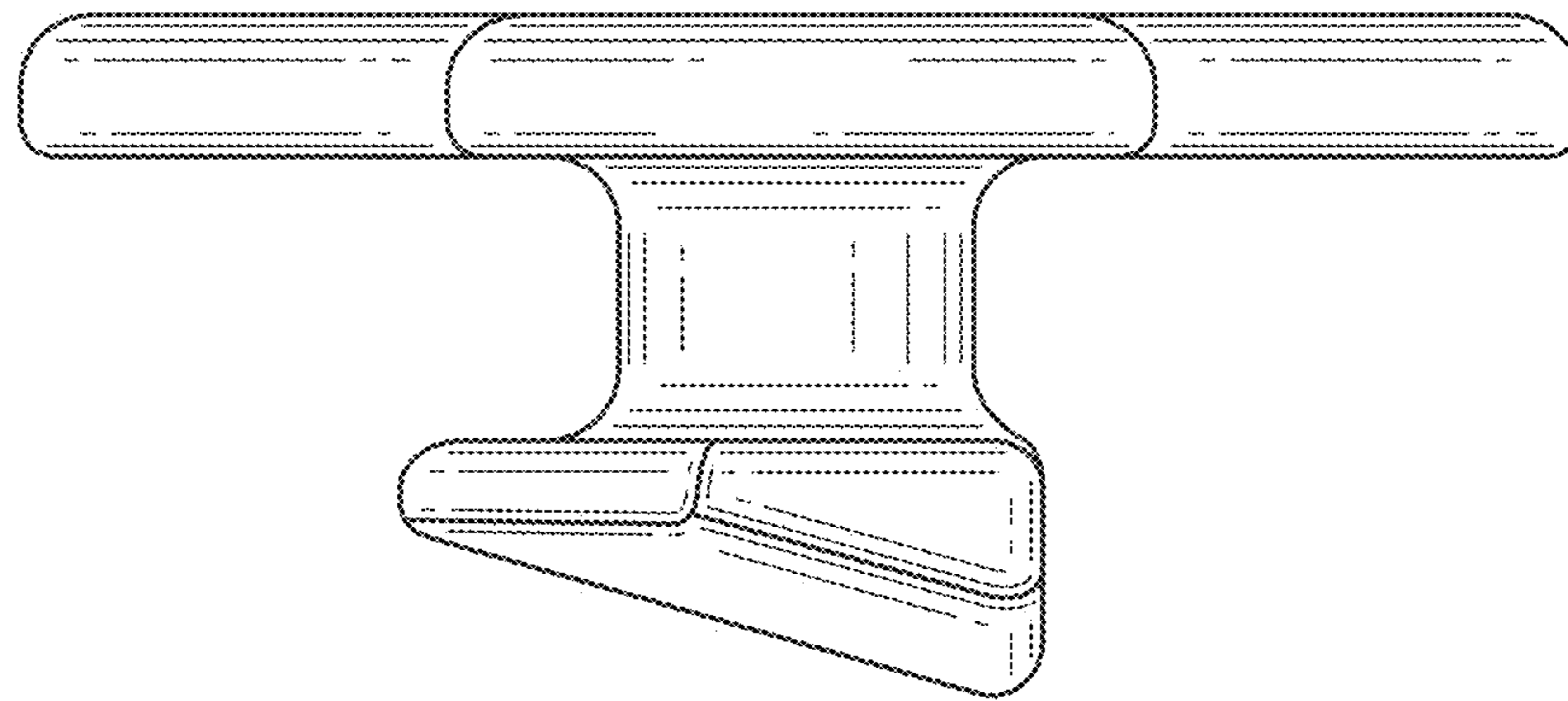


FIG. 4

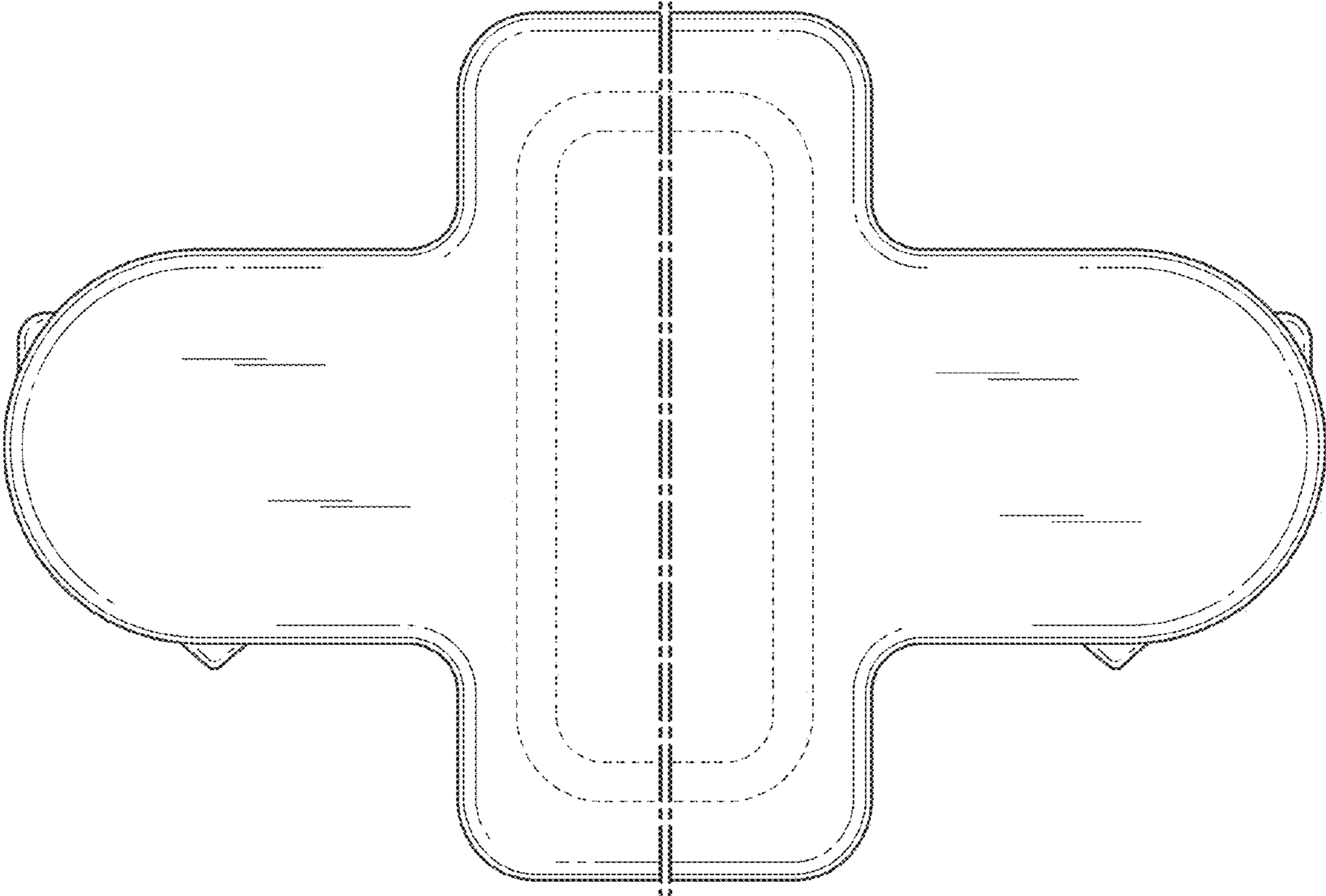


FIG. 5

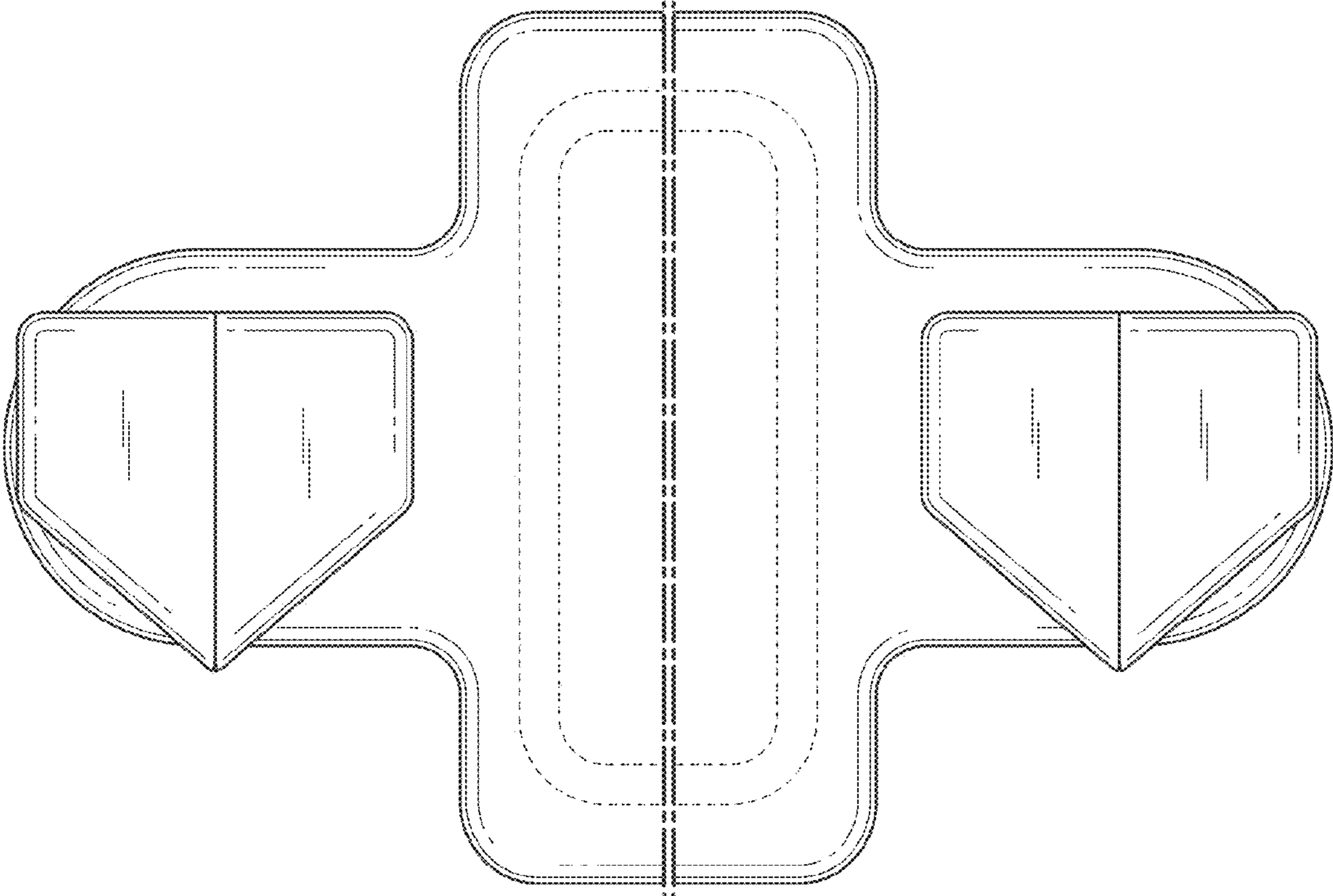


FIG. 6