

US0D1017393S

(12) **United States Design Patent** (10) **Patent No.:** **US D1,017,393 S**
Su (45) **Date of Patent:** **** Mar. 12, 2024**

(54) **HANDHELD LIFTING TOOL**

D958,851 S * 7/2022 Jin D15/122
D967,205 S * 10/2022 Jin D18/15
D983,637 S 4/2023 Li
D1,006,392 S * 11/2023 Qiu D34/31

(71) Applicant: **Jiafa Su**, Nanping (CN)

(72) Inventor: **Jiafa Su**, Nanping (CN)

(**) Term: **15 Years**

(21) Appl. No.: **29/911,077**

(22) Filed: **Aug. 29, 2023**

(51) **LOC (14) Cl.** **12-05**

(52) **U.S. Cl.**

USPC **D34/31; D8/72**

(58) **Field of Classification Search**

USPC D8/394, 395, 71, 72, 106

CPC .. B25B 5/00; B25B 5/02; B25B 5/085; B25B

5/166; B23Q 7/005; B66F 2700/00; B66F

2700/09; B66F 2700/02; B66F 1/00;

B66F 1/06

See application file for complete search history.

(56) **References Cited**

U.S. PATENT DOCUMENTS

488,357 A * 12/1892 Hill B65G 7/12
D8/71
4,594,805 A * 6/1986 McClelland A01K 97/10
248/528
D372,177 S * 7/1996 Hansen D8/51
D418,033 S * 12/1999 Svedberg D8/72
D582,124 S * 12/2008 Wurdack D34/31
D619,441 S * 7/2010 Yang D8/72
D622,121 S * 8/2010 Weinberg D8/72
D888,524 S * 6/2020 Weber D8/72
D954,520 S * 6/2022 Li D10/64

OTHER PUBLICATIONS

Easygnal Labor Saving Arm, posted May 6, 2022 [online], [retrieved Nov. 15, 2023]. Retrieved from <https://www.amazon.com/Furniture-Elevator-Locator-Woodworking-Lifting/dp/B09XJ59X1F> (Year: 2022).*

* cited by examiner

Primary Examiner — Calvin E Vasant

Assistant Examiner — Benjamin L. Gray

(74) *Attorney, Agent, or Firm* — Daniel M. Cohn;

Howard M. Cohn

(57) **CLAIM**

The ornamental design for a handheld lifting tool, as shown and described.

DESCRIPTION

FIG. 1 is a perspective view of a handheld lifting tool showing my new design;

FIG. 2 is another perspective view thereof;

FIG. 3 is a front view thereof;

FIG. 4 is a back view thereof;

FIG. 5 is a left view thereof;

FIG. 6 is a right view thereof;

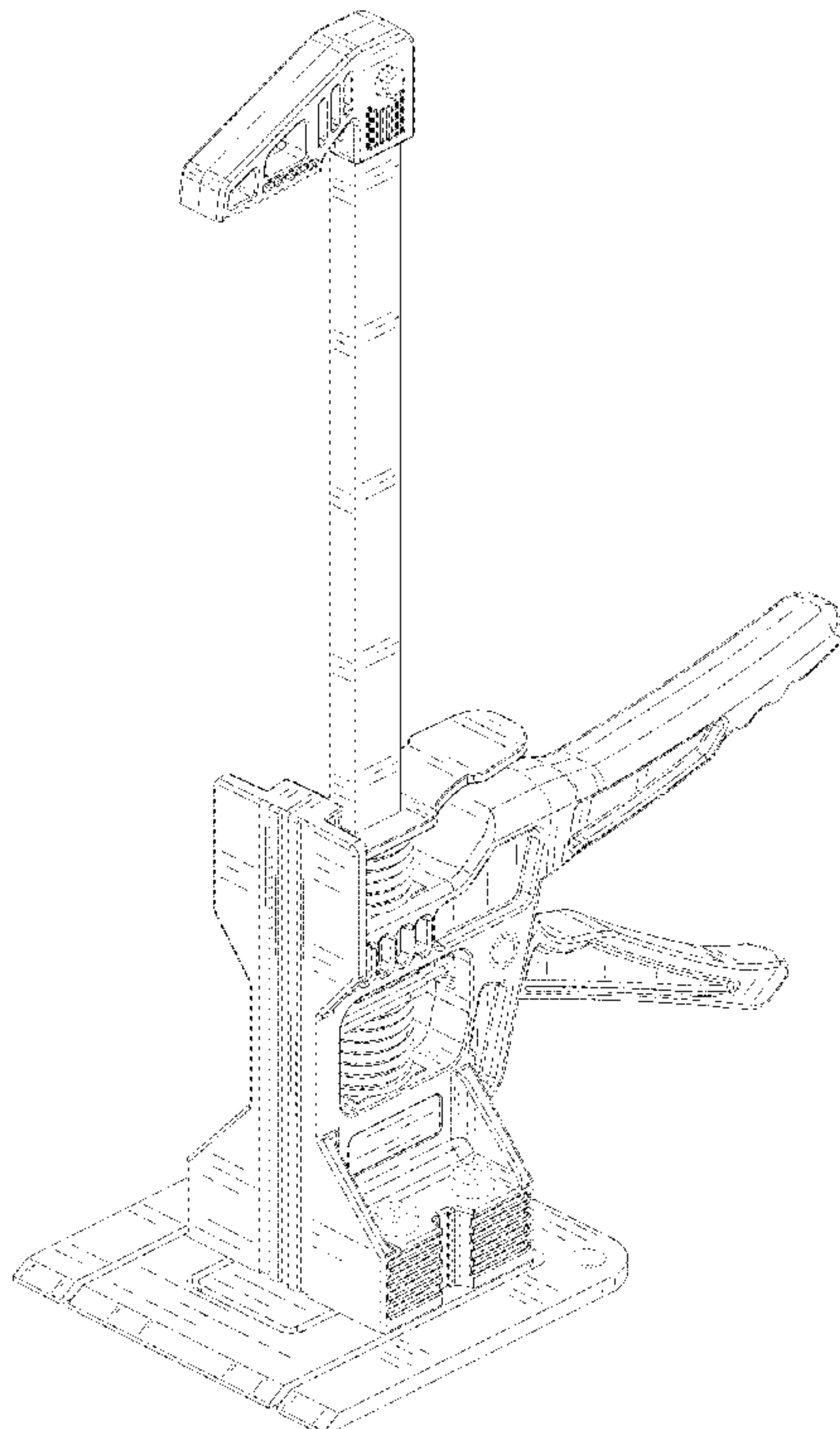
FIG. 7 is a top plan view thereof;

FIG. 8 is bottom plan view thereof; and,

FIG. 9 is an elevated state view.

The broken lines depict portions of the handheld lifting tool that form no part of the claimed design.

1 Claim, 9 Drawing Sheets



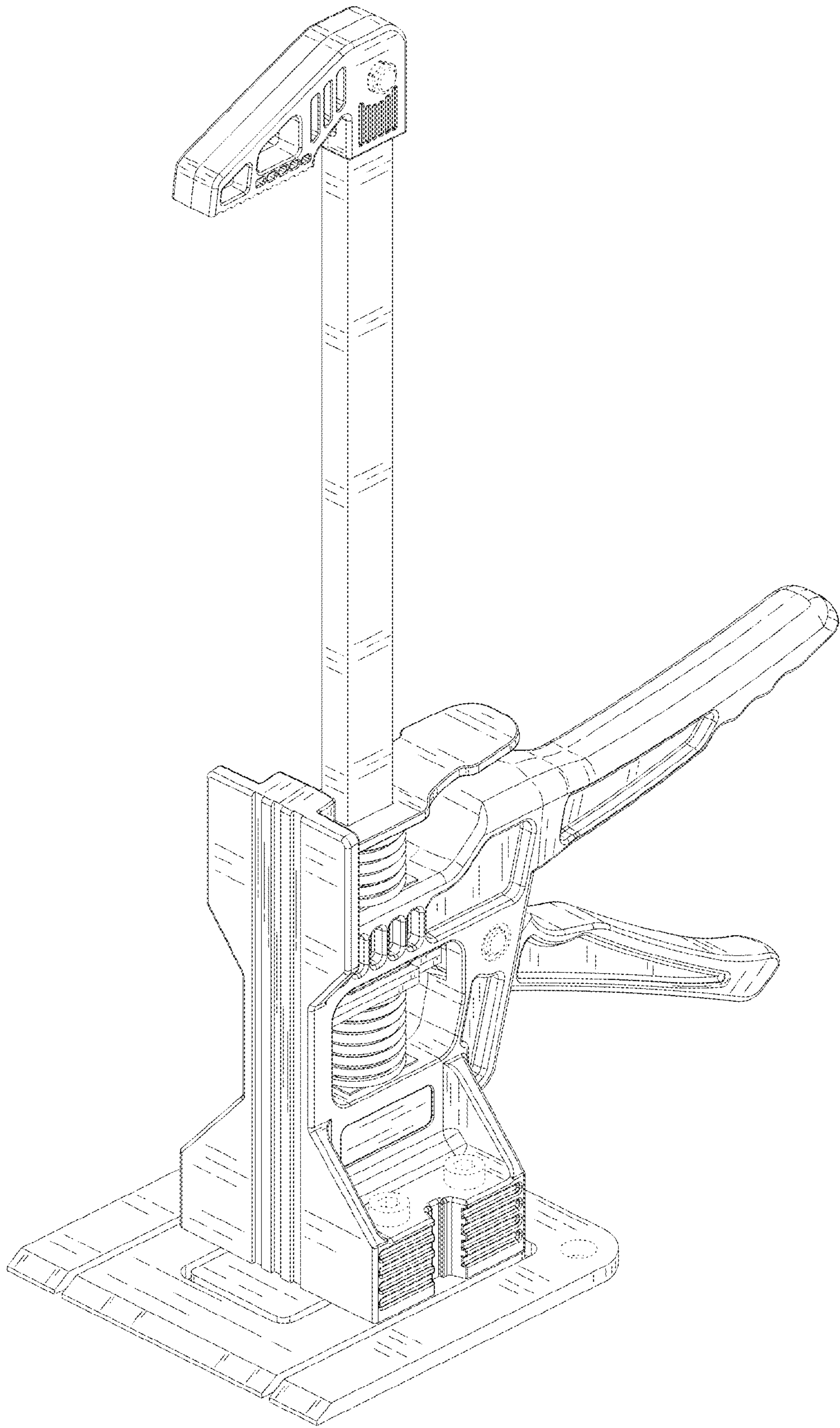


FIG. 1

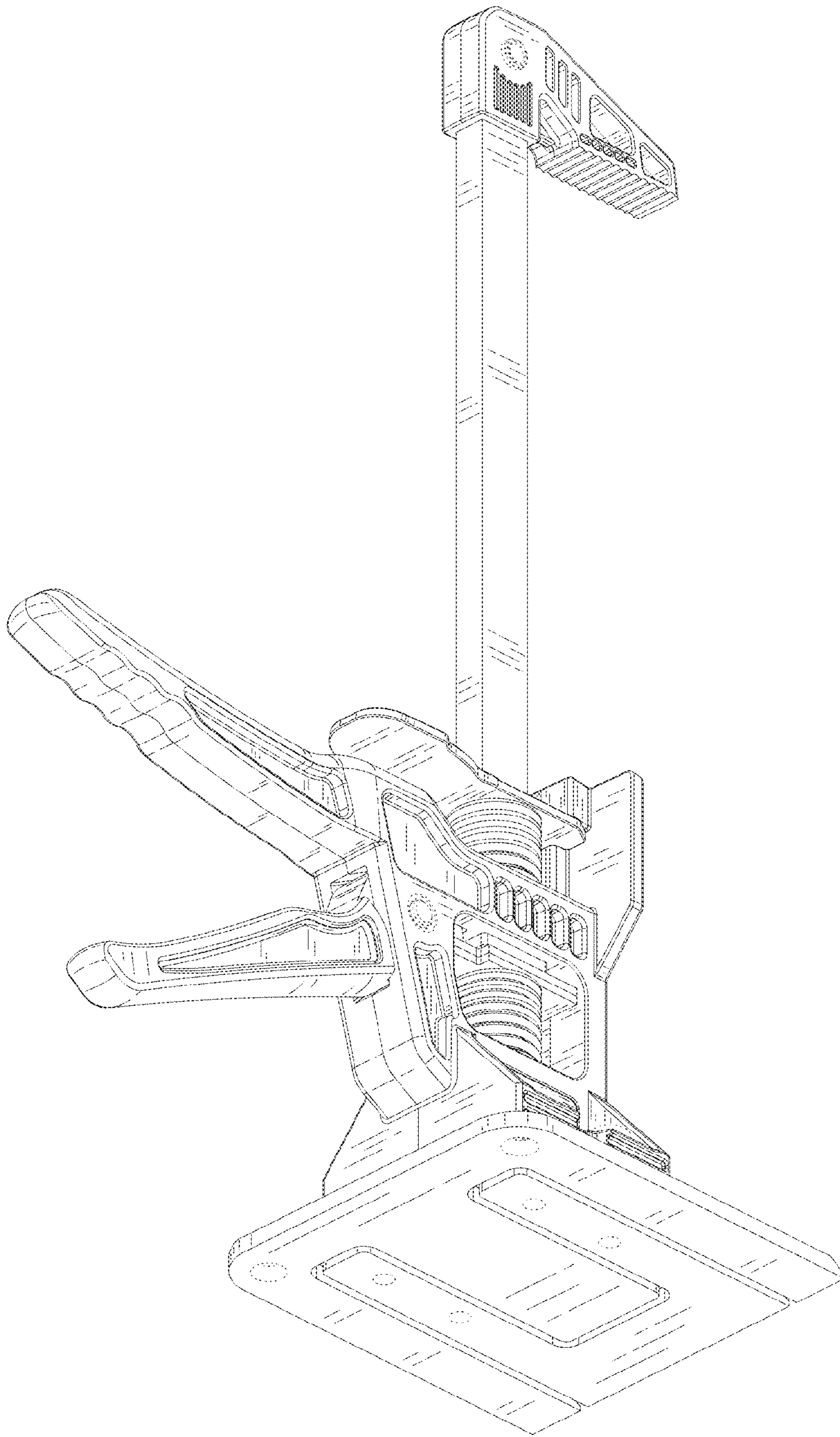


FIG. 2

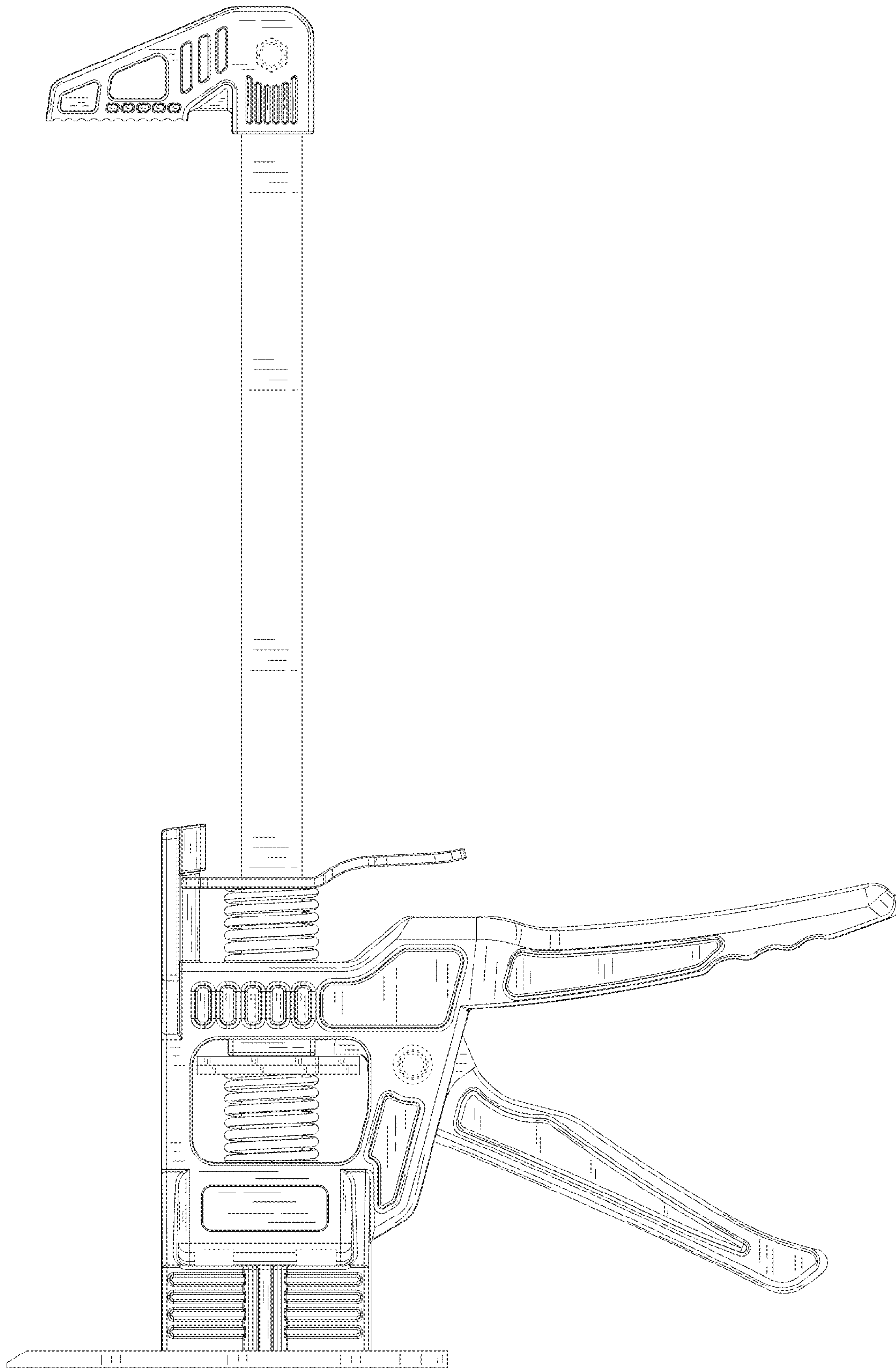


FIG. 3

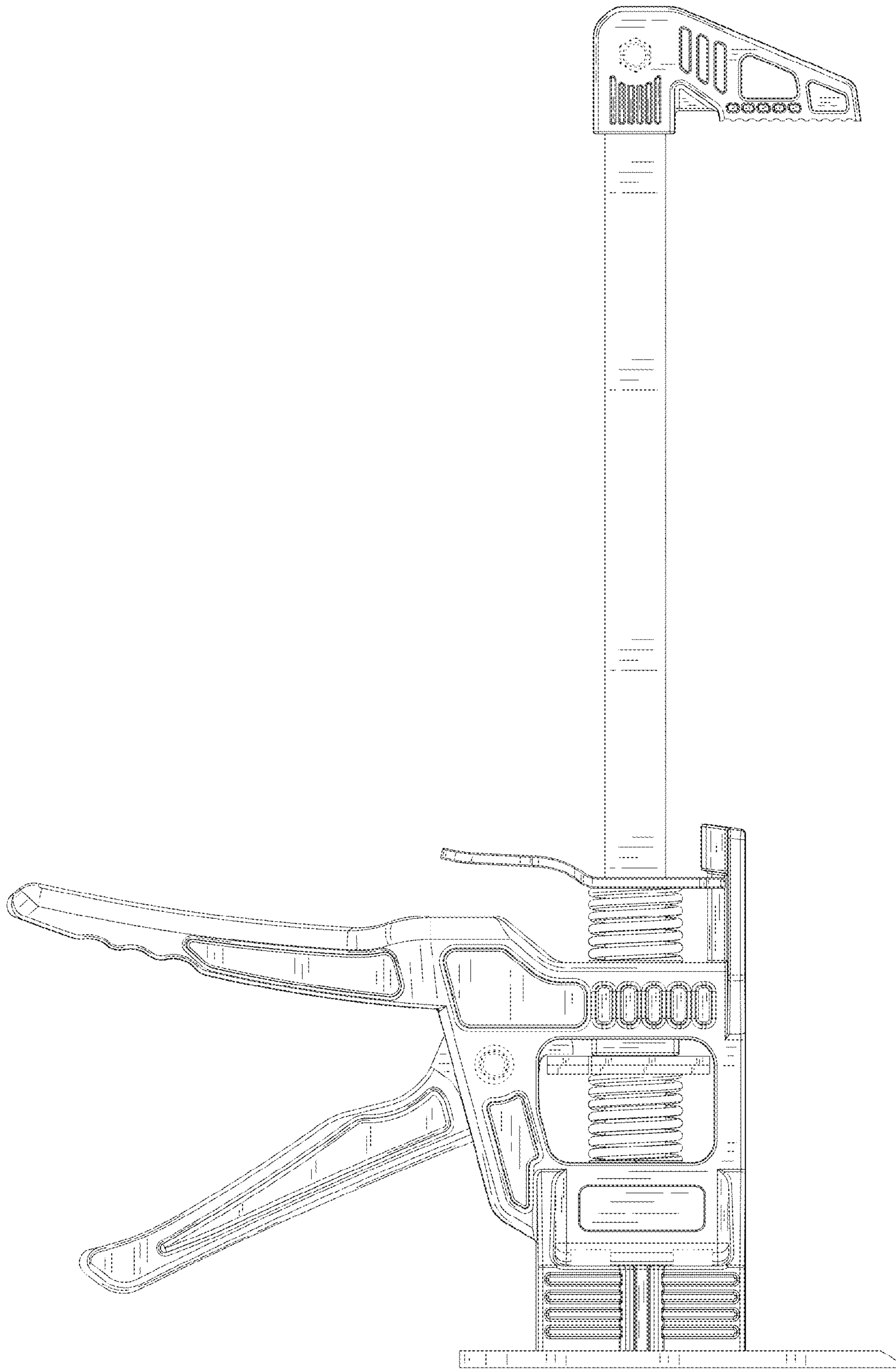


FIG. 4

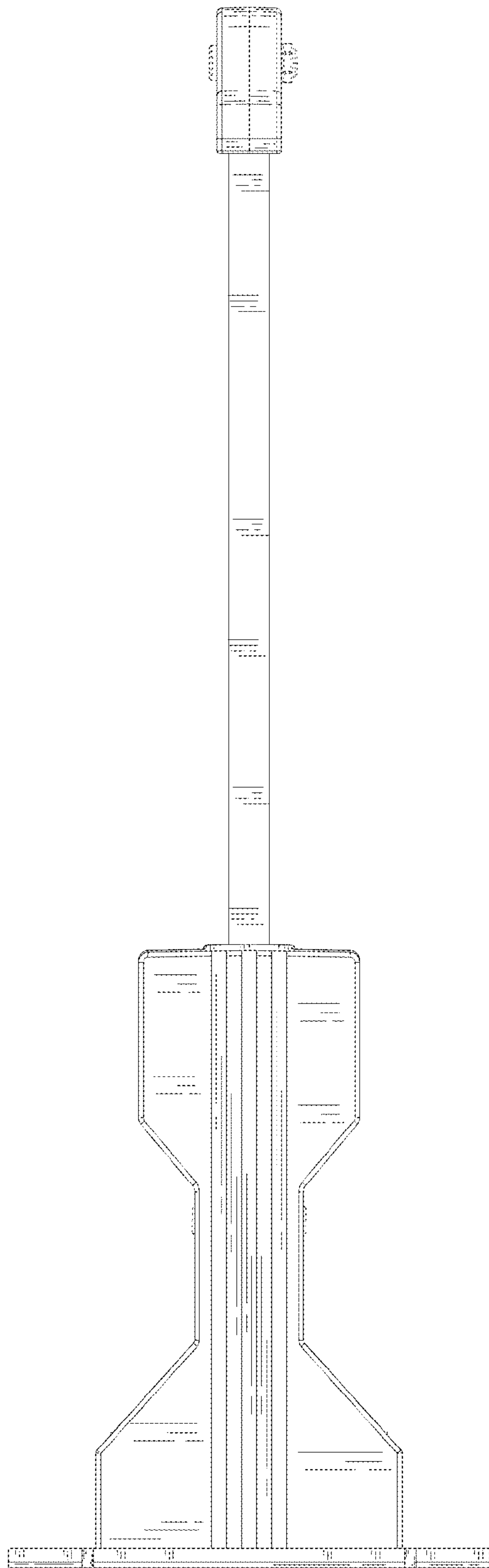


FIG. 5

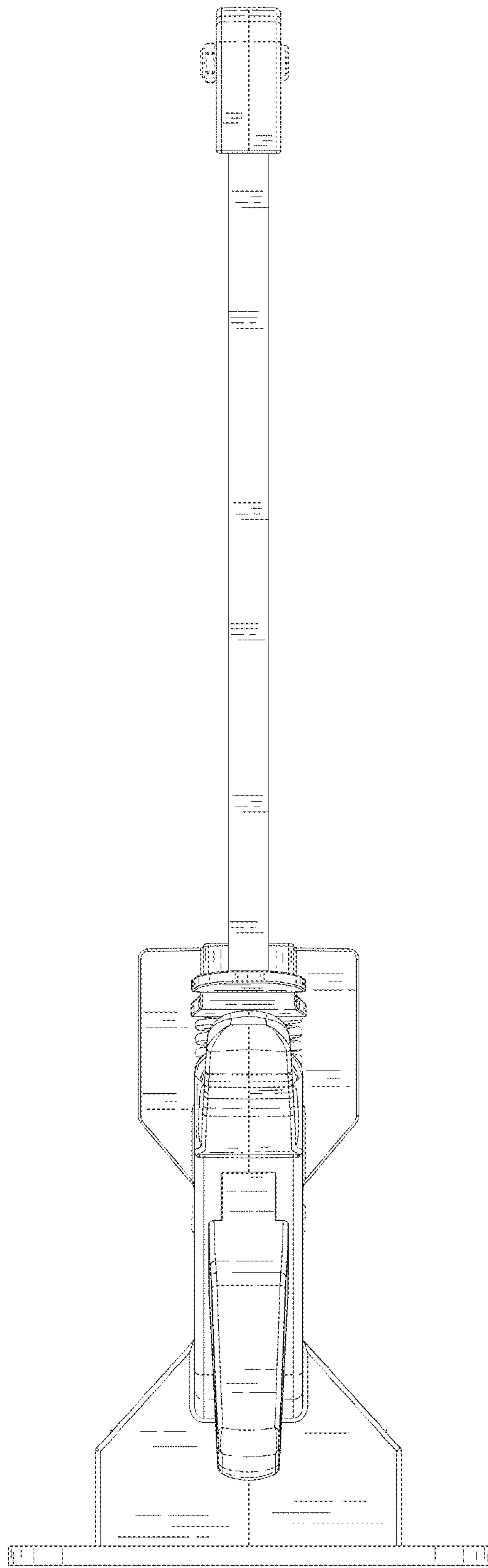


FIG. 6

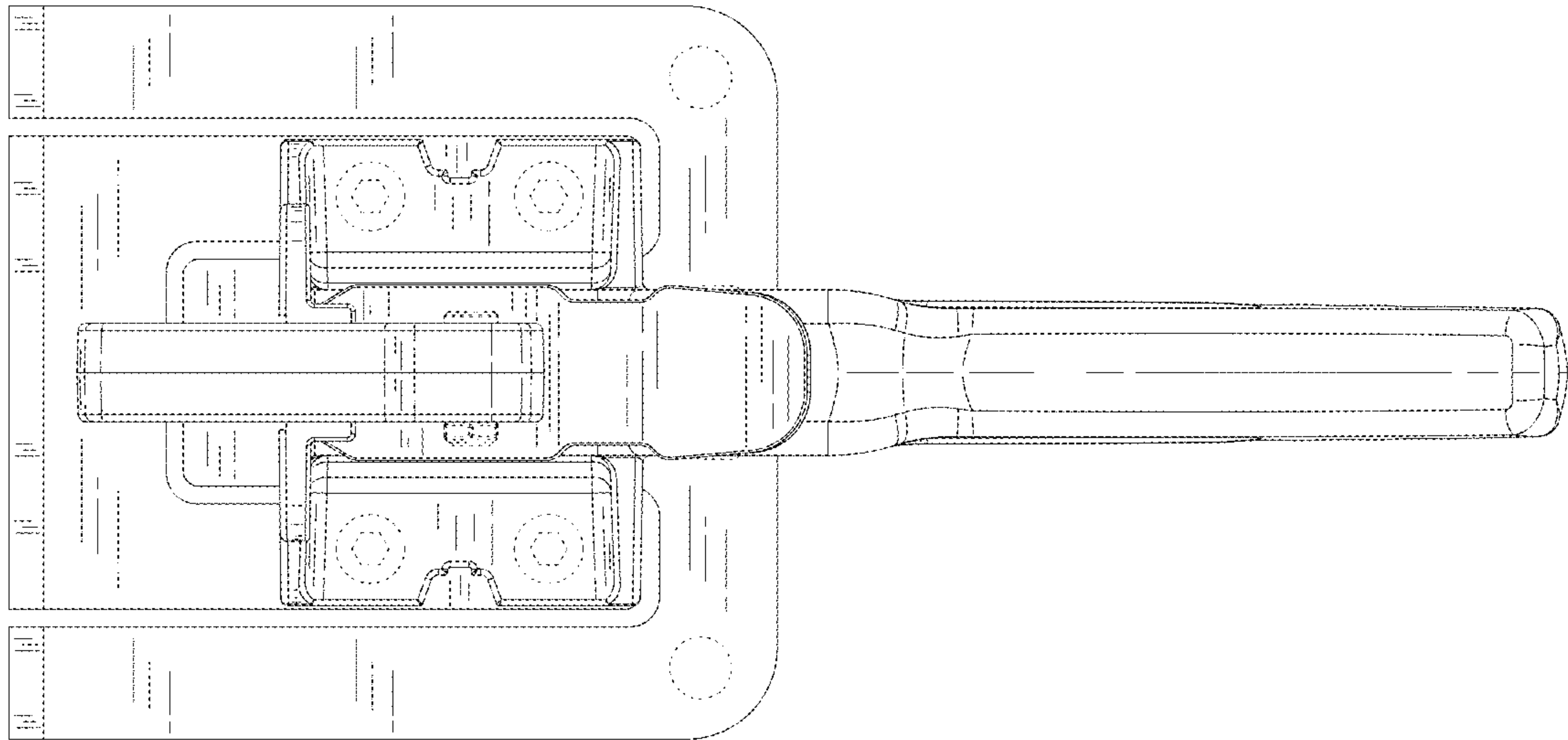


FIG. 7

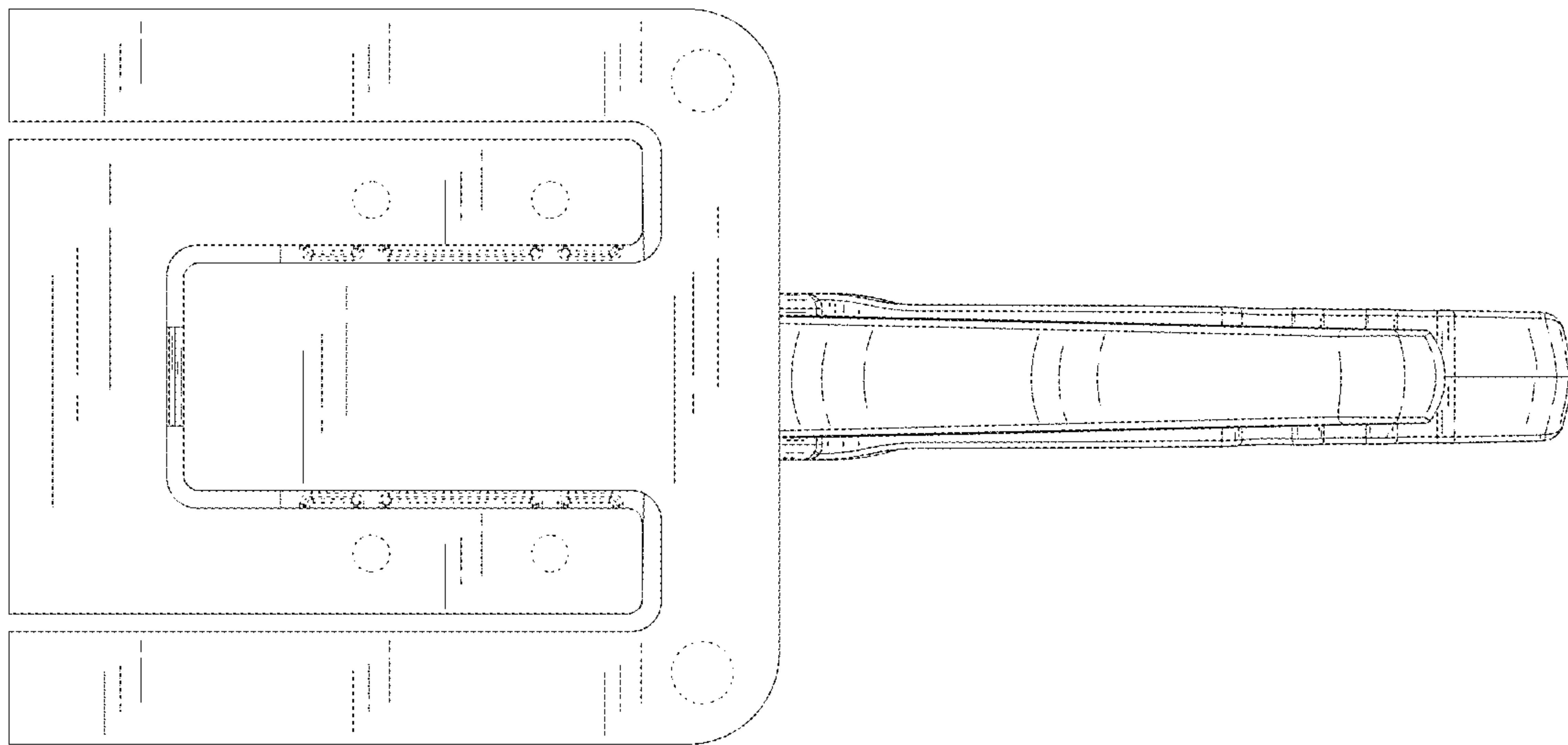


FIG. 8

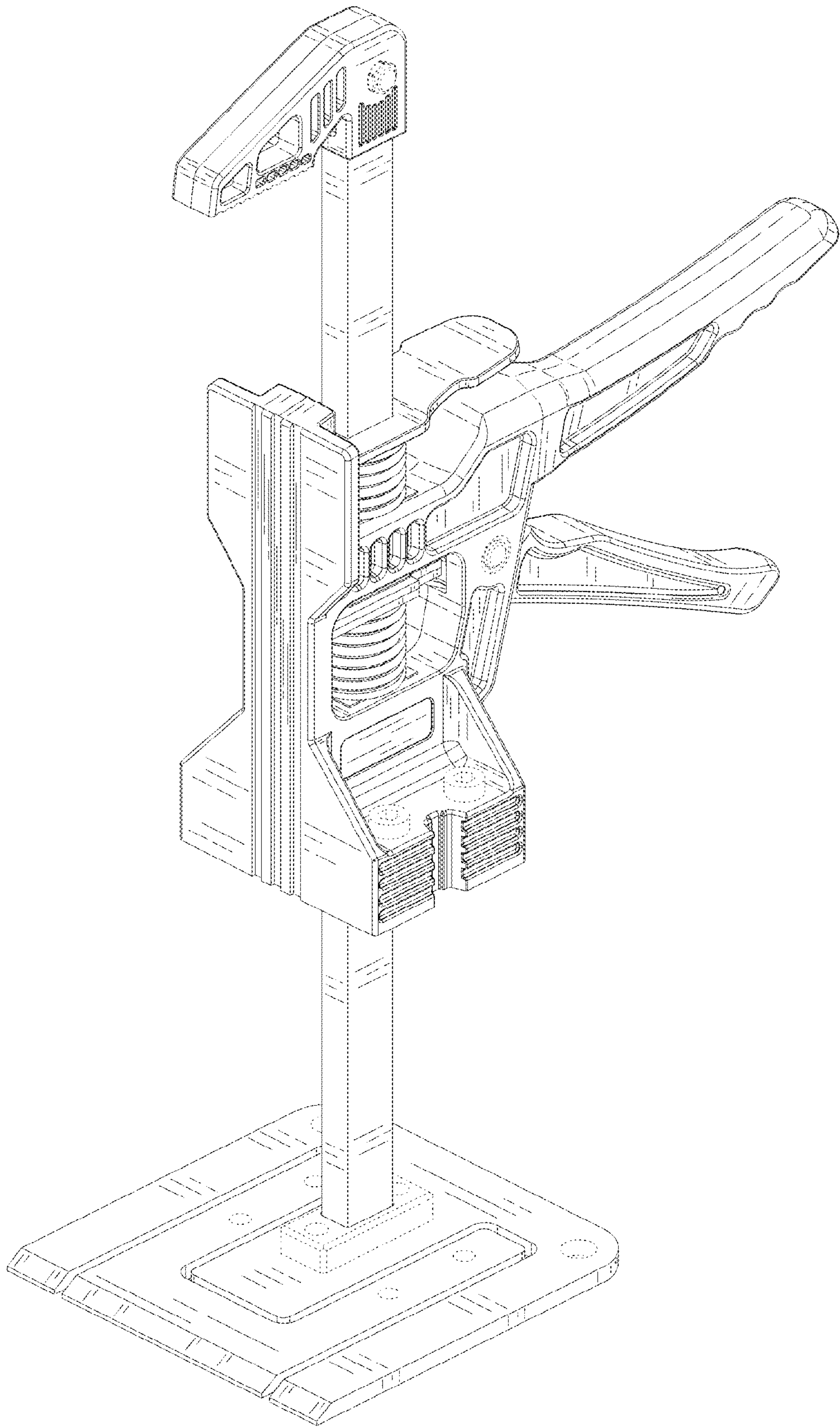


FIG. 9