



US0D1017364S

(12) **United States Design Patent** (10) **Patent No.:** **US D1,017,364 S**
Xu (45) **Date of Patent:** **** Mar. 12, 2024**

(54) **DOOR LOCK INSTALLATION JIG**

(71) Applicant: **Rongfang Xu**, Guangxi (CN)

(72) Inventor: **Rongfang Xu**, Guangxi (CN)

(**) Term: **15 Years**

(21) Appl. No.: **29/913,291**

(22) Filed: **Sep. 28, 2023**

(51) **LOC (14) Cl.** **08-05**

(52) **U.S. Cl.**
USPC **D8/72; D34/23**

(58) **Field of Classification Search**
USPC D8/71-74, 354, 373, 374, 394, 395, 400,
D8/402; D10/62, 64, 65; D34/23, 24
CPC B62B 2203/10; B62B 2206/06; B62B
2301/04; B62B 2203/00; E04F 21/0023
See application file for complete search history.

(56) **References Cited**

U.S. PATENT DOCUMENTS

| | | | | | |
|-----------|------|---------|--------------|-------|------------------------|
| 3,498,658 | A * | 3/1970 | Floyd | | A01K 1/0017 292/171 |
| 4,021,063 | A * | 5/1977 | Porter | | E05C 1/04 292/148 |
| D340,337 | S * | 10/1993 | Beasley | | D34/23 |
| D415,046 | S * | 10/1999 | Carey | | D10/64 |
| 6,398,465 | B1 * | 6/2002 | Monge | | B27F 5/12 279/143 |
| D483,254 | S * | 12/2003 | Sels | | D8/394 |
| D525,859 | S * | 8/2006 | Eichert | | D8/344 |
| D550,921 | S * | 9/2007 | McMorris | | D34/28 |
| D636,140 | S * | 4/2011 | Cavanaugh | | D34/23 |
| D663,604 | S | 7/2012 | Rohde et al. | | |
| D678,035 | S | 3/2013 | Stover, Jr. | | |
| D717,513 | S * | 11/2014 | Swinehart | | D34/23 |
| D719,436 | S | 12/2014 | Roggero | | |
| D735,555 | S | 8/2015 | Tajdus | | |
| D747,174 | S | 1/2016 | Owens et al. | | |
| D755,613 | S | 5/2016 | Ajello | | |

| | | | | | |
|----------|-----|---------|-------|-------|---------|
| D899,894 | S | 10/2020 | Lundy | | |
| D901,404 | S * | 11/2020 | Ice | | D13/179 |
| D912,921 | S * | 3/2021 | Dilts | | D34/35 |
| D924,664 | S | 7/2021 | Patel | | |
| D935,303 | S | 11/2021 | Chen | | |
| D959,946 | S * | 8/2022 | Wang | | D8/72 |
| D975,515 | S | 1/2023 | Buck | | |

(Continued)

OTHER PUBLICATIONS

Door Stud, posted Aug. 30, 2018 [online], [retrieved Oct. 24, 2023]. Retrieved from internet, <https://www.amazon.com/Door-Stud-Hands-free-Installation-Pre-Hung/dp/B07GLG9N9C/ref> (Year: 2018).*

(Continued)

Primary Examiner — David G Muller
Assistant Examiner — Christina Gabrielle Cosden
(74) *Attorney, Agent, or Firm* — Hawaii Patent Services;
Nathaniel K. Fedde; Kenton N. Fedde

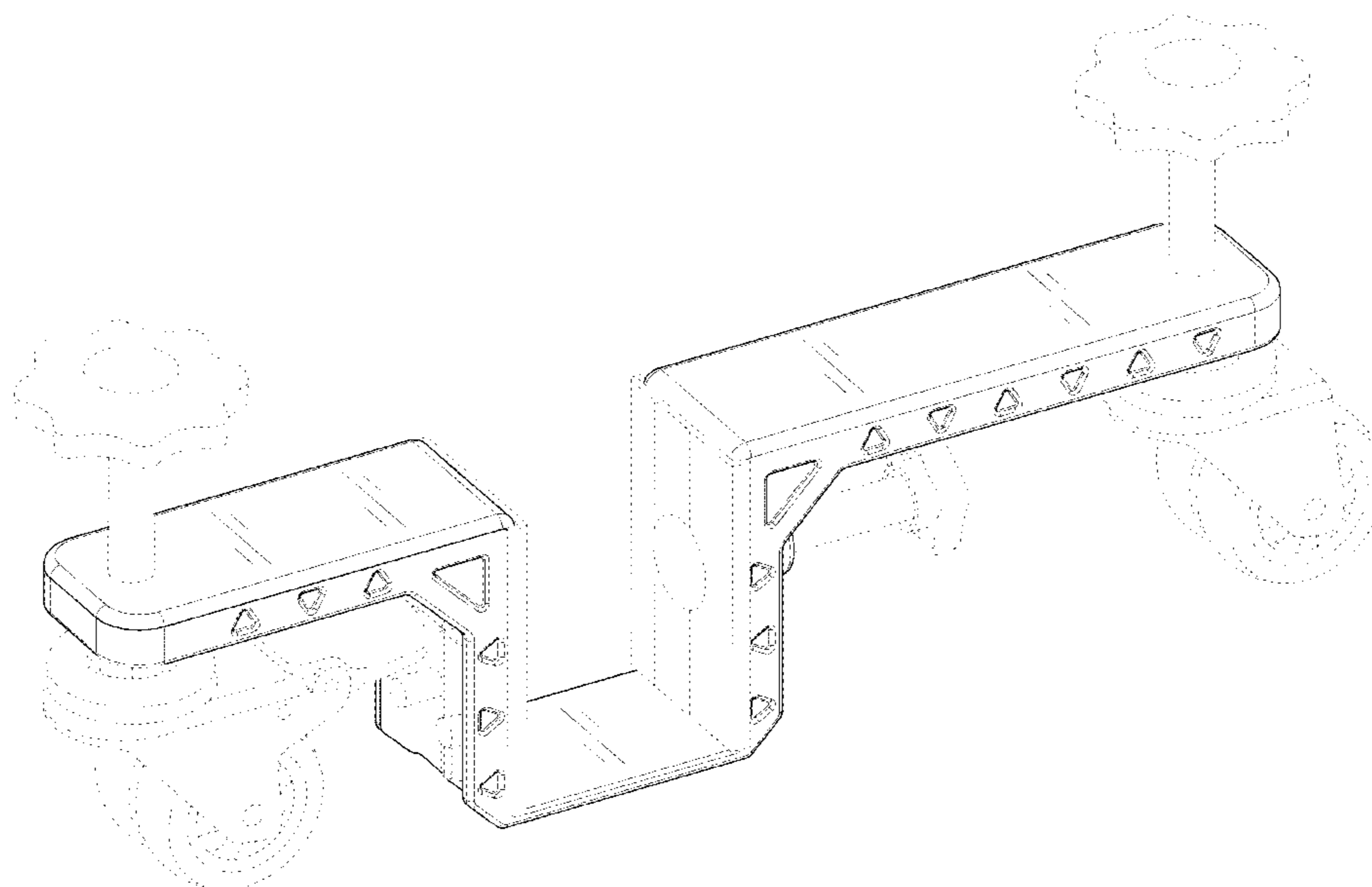
(57) **CLAIM**

The ornamental design for a door lock installation jig, as shown and described.

DESCRIPTION

FIG. 1 is a front, top perspective view of a door lock installation jig, showing my new design; FIG. 2 is a rear, bottom perspective view thereof; FIG. 3 is a front elevational view thereof; FIG. 4 is a rear elevational view thereof; FIG. 5 is a left side view thereof; FIG. 6 is a right side view thereof; FIG. 7 is a top plan view thereof; and, FIG. 8 is a bottom plan view thereof. The dashed broken lines in the figures are for the purposes of illustrating portions of the door lock installation jig that form no part of the claimed design.

1 Claim, 8 Drawing Sheets



(56)

References Cited

U.S. PATENT DOCUMENTS

D979,391 S * 2/2023 Gunkler E05C 17/02
D8/343
D982,876 S * 4/2023 Deng D8/373
D983,637 S * 4/2023 Li D8/72
2005/0210690 A1* 9/2005 Morton B23B 47/287
33/194
2020/0114946 A1* 4/2020 Newenhouse E04F 21/0023

OTHER PUBLICATIONS

Talustool, posted Dec. 16, 2022 [online], [retrieved Oct. 24, 2023].
Retrieved from internet, <https://www.amazon.com/dp/B0BQBYTBSN/>
ref (Year: 2022).*

* cited by examiner

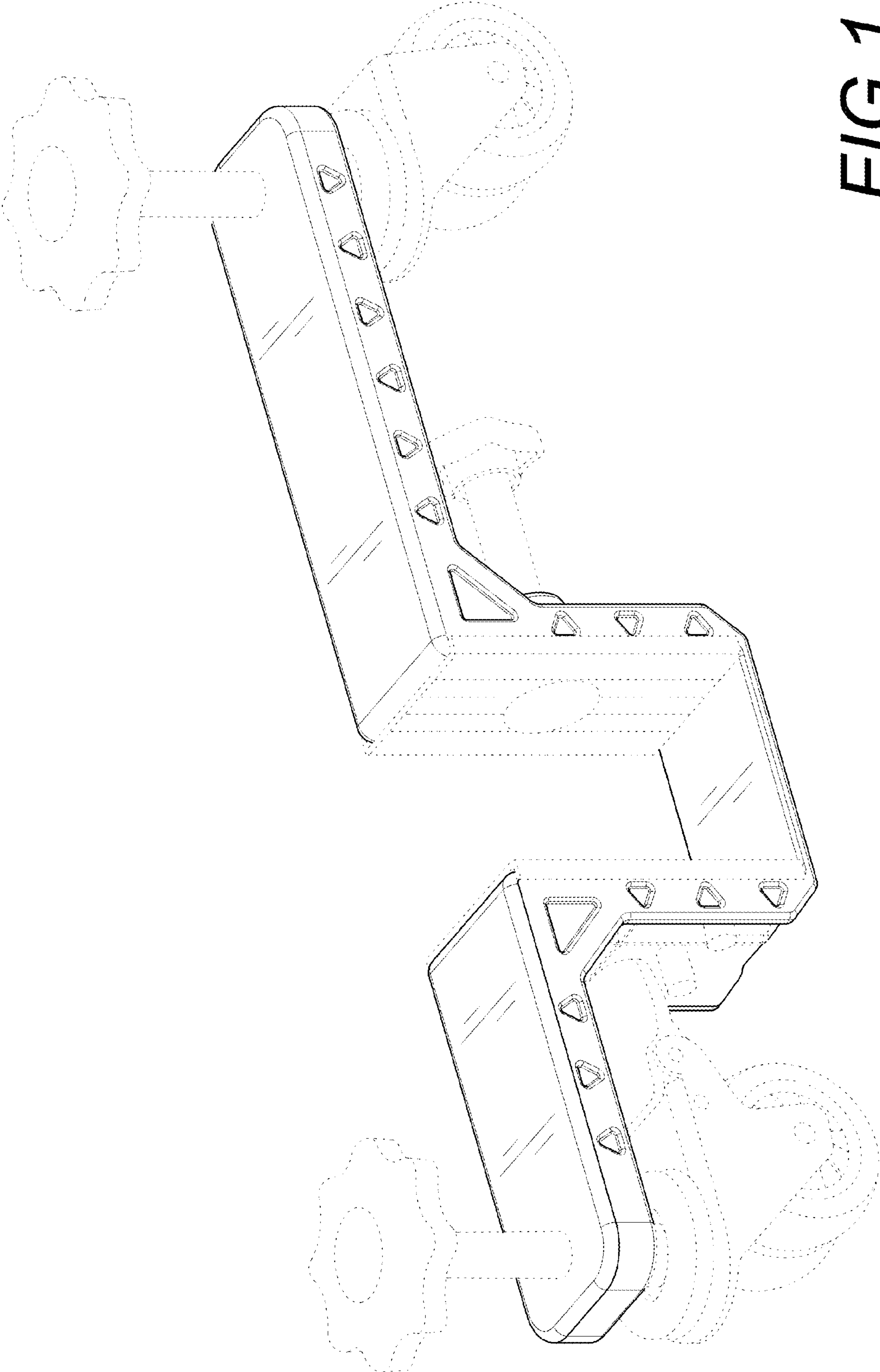


FIG. 1

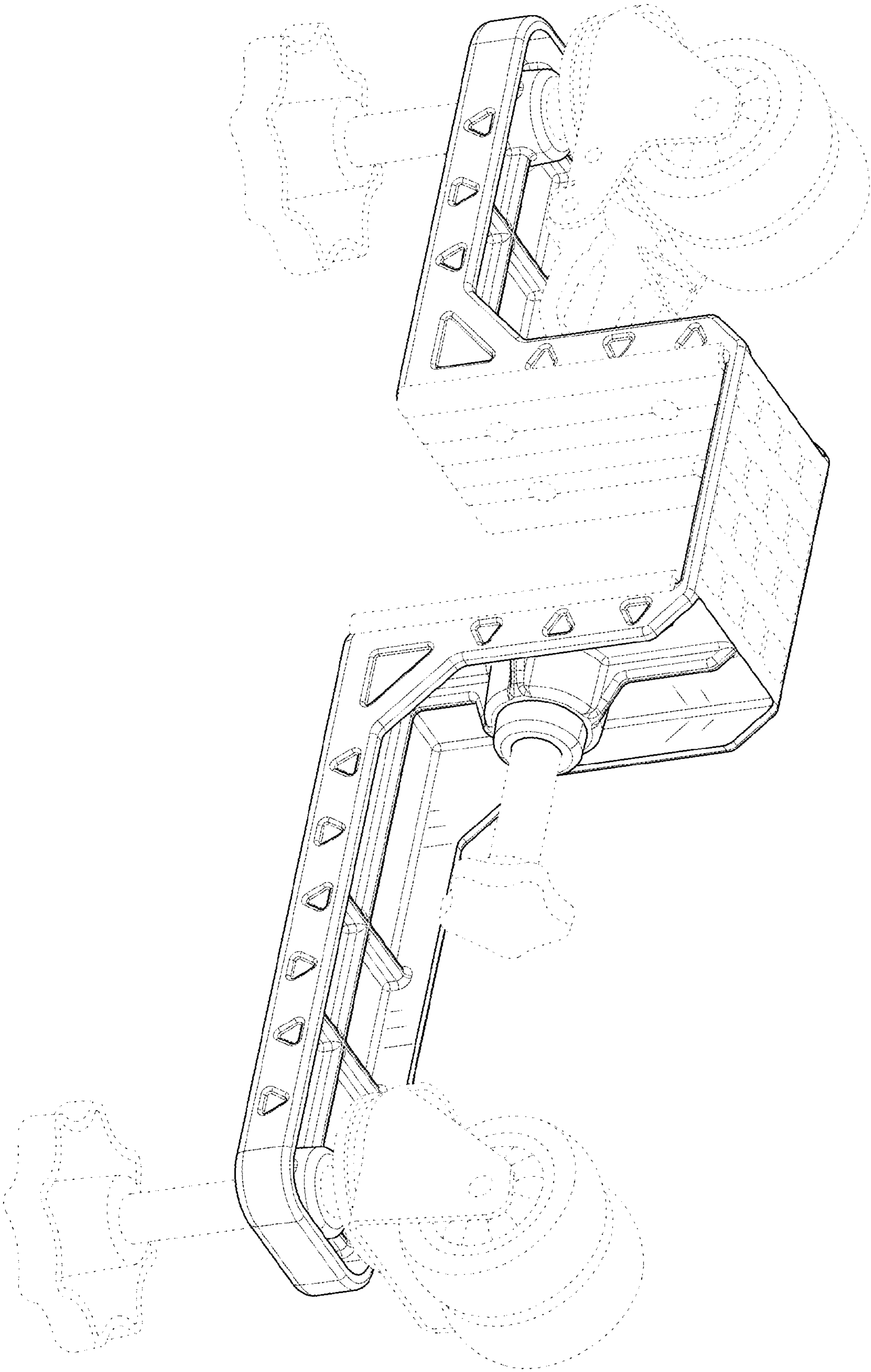


FIG. 2

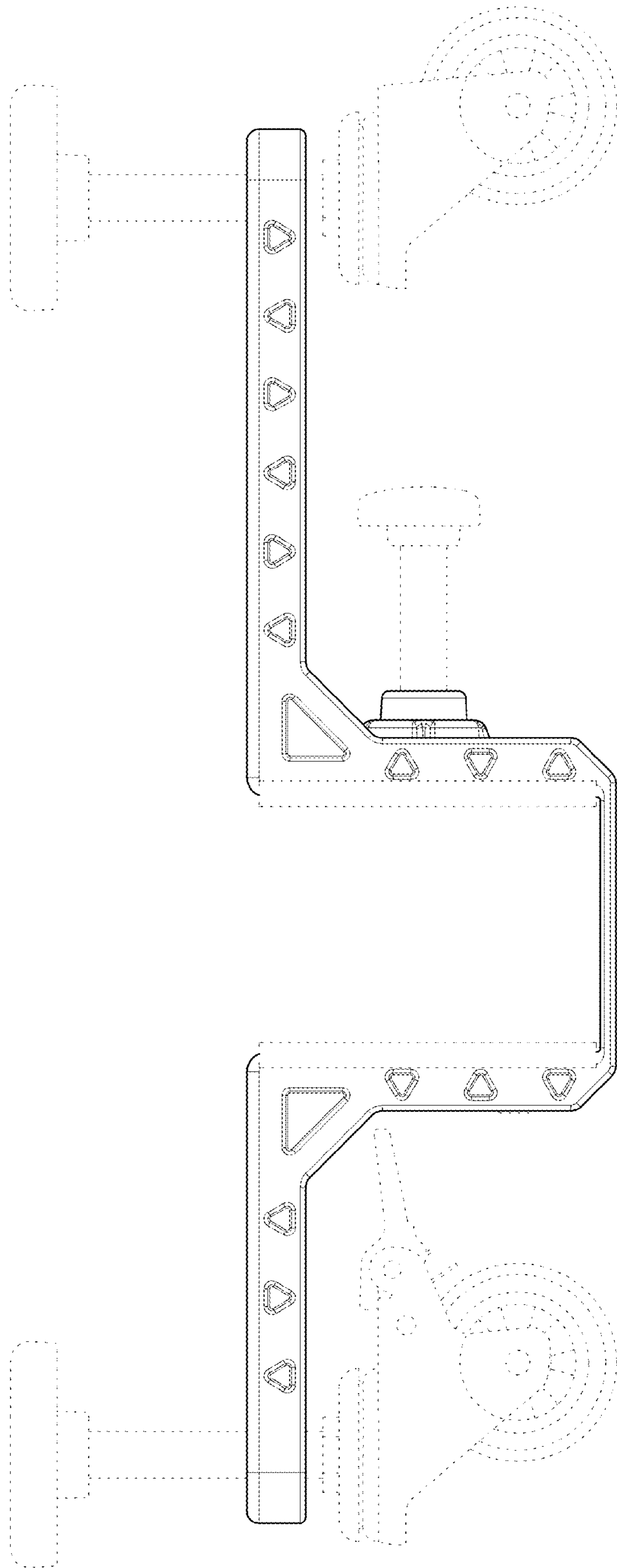


FIG. 3

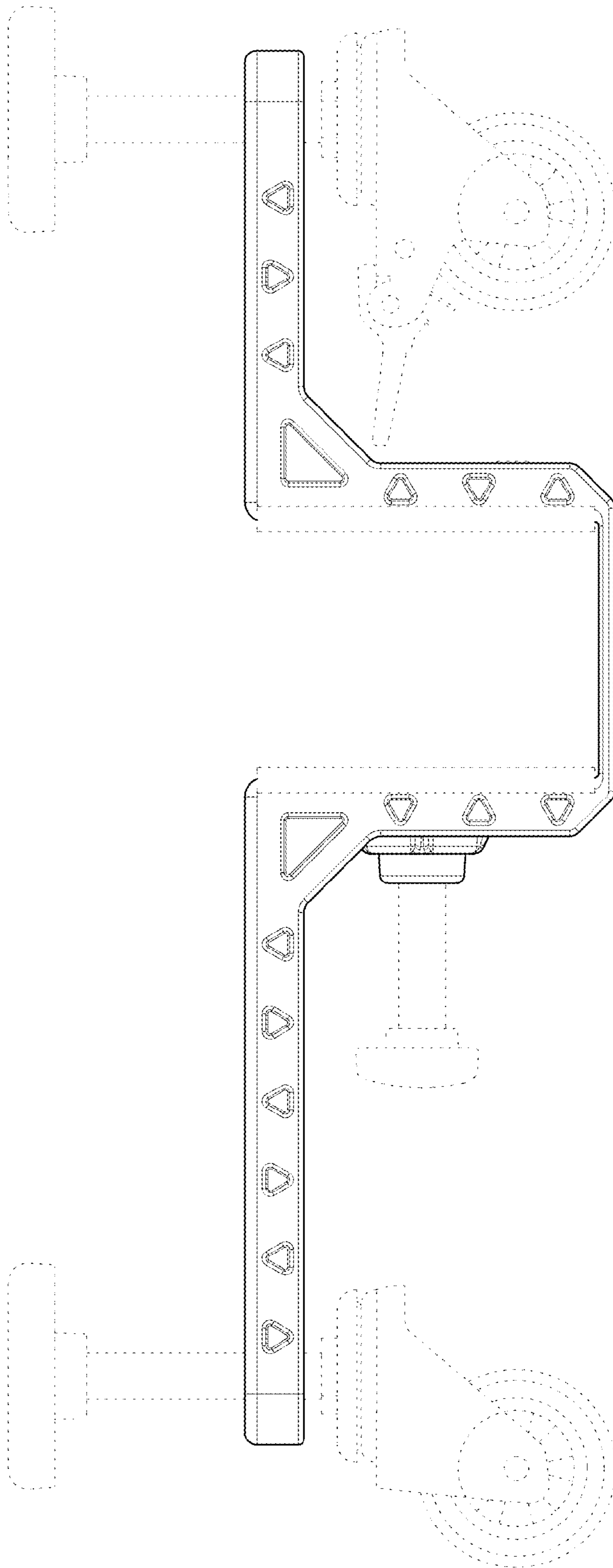


FIG. 4

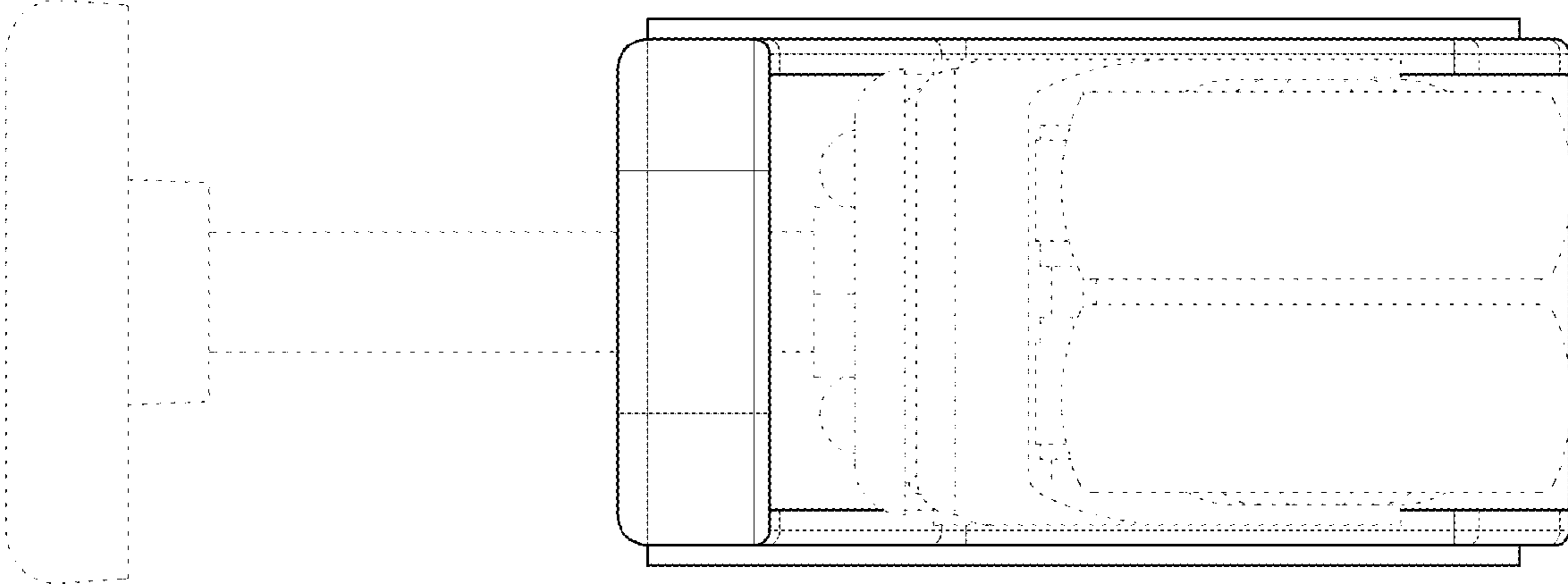


FIG. 5

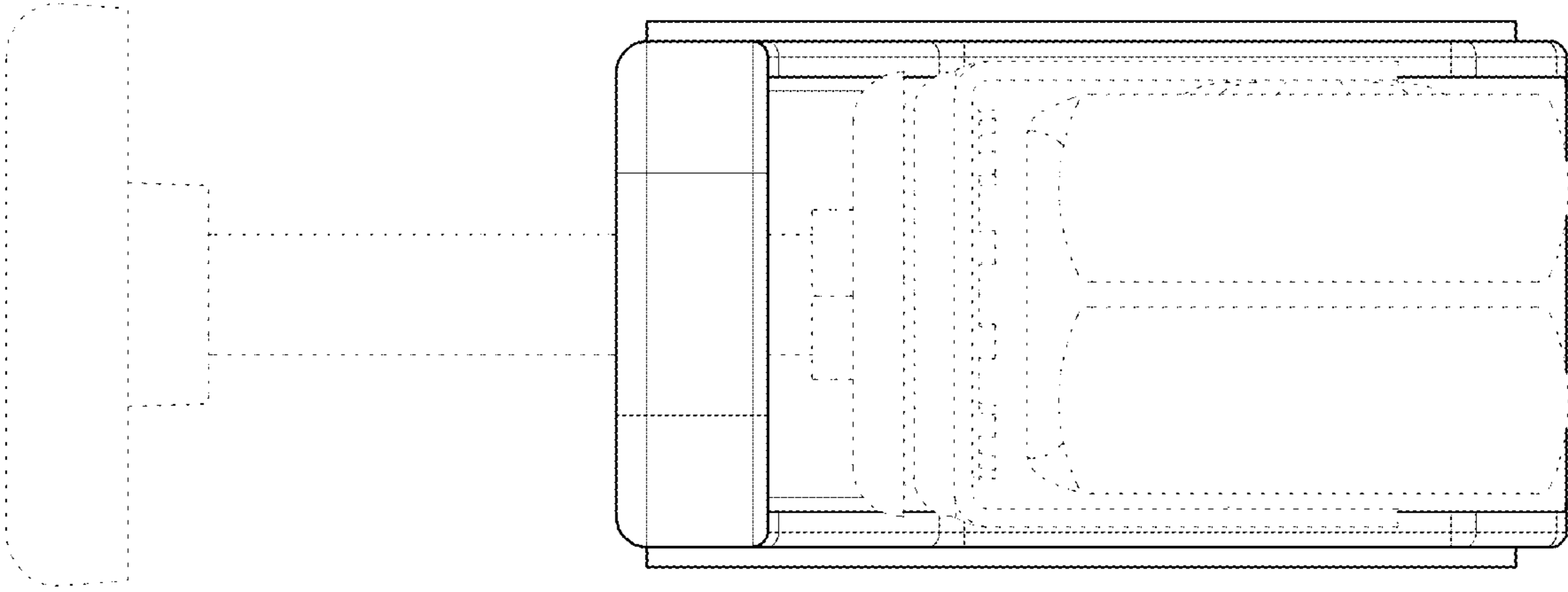


FIG. 6

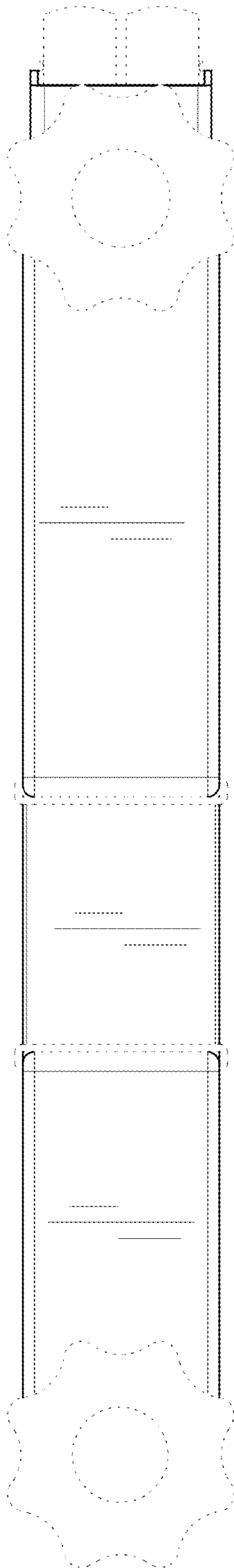


FIG. 7

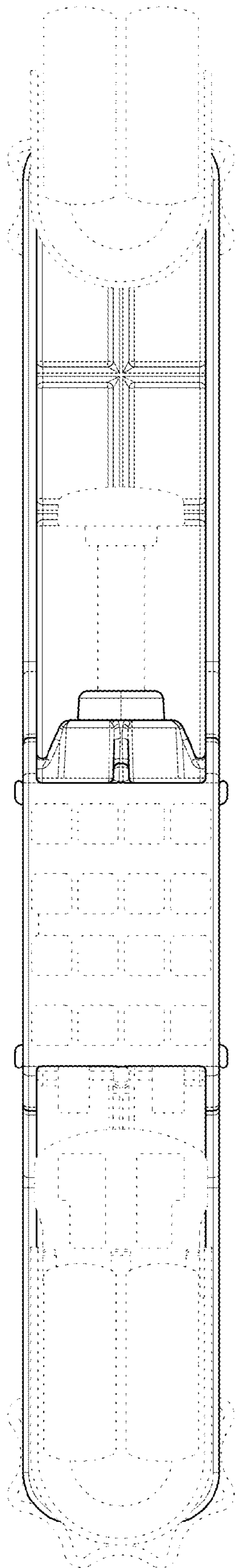


FIG. 8