



US0D1017361S

(12) **United States Design Patent** (10) **Patent No.:** **US D1,017,361 S**
Cox (45) **Date of Patent:** **** Mar. 12, 2024**

(54) **DRILL**
(71) Applicant: **BLACK & DECKER INC.**, New Britain, CT (US)
(72) Inventor: **Michael Cox**, Felton, PA (US)
(73) Assignee: **BLACK & DECKER INC.**, New Britain, CT (US)

7,934,847 B2 5/2011 Oomori et al.
D646,947 S * 10/2011 Lopano B25F 5/02 D8/68
8,042,966 B2 10/2011 Lutz et al.
8,360,597 B1 1/2013 Hanchett
8,517,558 B2 8/2013 Oomori et al.
9,573,257 B2 2/2017 Kynast et al.
9,625,135 B2 4/2017 Lin et al.

(Continued)

(**) Term: **15 Years**

(21) Appl. No.: **29/782,401**

(22) Filed: **May 6, 2021**

(51) **LOC (14) Cl.** **08-05**

(52) **U.S. Cl.**
USPC **D8/68**

(58) **Field of Classification Search**
USPC D8/51, 61, 68, 69; D21/532
CPC B25D 11/00; B25D 11/06; B25D 16/00;
B25D 16/003; B25D 2209/00; B25D 2211/00; B25D 2216/00; B25D 17/00;
B25D 17/04; B25D 2216/0023; B25F 5/00; B25F 5/005; B25F 5/006; B25F 5/02

See application file for complete search history.

(56) **References Cited**

U.S. PATENT DOCUMENTS

5,169,225 A 12/1992 Palm
6,168,302 B1 1/2001 Hulse
6,238,074 B1 5/2001 Hulse et al.
6,364,580 B1 4/2002 Dils et al.
6,554,462 B2 4/2003 Hulse et al.
6,575,590 B1 6/2003 Wadsworth
6,733,166 B2 5/2004 Hulse
6,979,155 B2 12/2005 Dils et al.
7,029,142 B2 4/2006 Chen et al.
7,185,998 B2 3/2007 Oomori et al.
7,434,962 B2 10/2008 Stache
7,815,356 B2 10/2010 Lutz et al.
7,871,177 B1 1/2011 Hanchett

FOREIGN PATENT DOCUMENTS

CN 203052410 U 7/2013
CN 204372665 U 6/2015

(Continued)

OTHER PUBLICATIONS

DeWalt Atomic 20V Max Cordless Drill, posted Apr. 10, 2019 [online], [retrieved Jan. 11, 2023]. Retrieved from internet, <https://www.amazon.com/DEWALT-DCD708B-Brushless-Cordless-Compact/dp/B07QJ9771B/> (Year: 2019).*

Primary Examiner — Calvin E Vansant
Assistant Examiner — Benjamin L. Gray
(74) *Attorney, Agent, or Firm* — Stephen R. Valancius

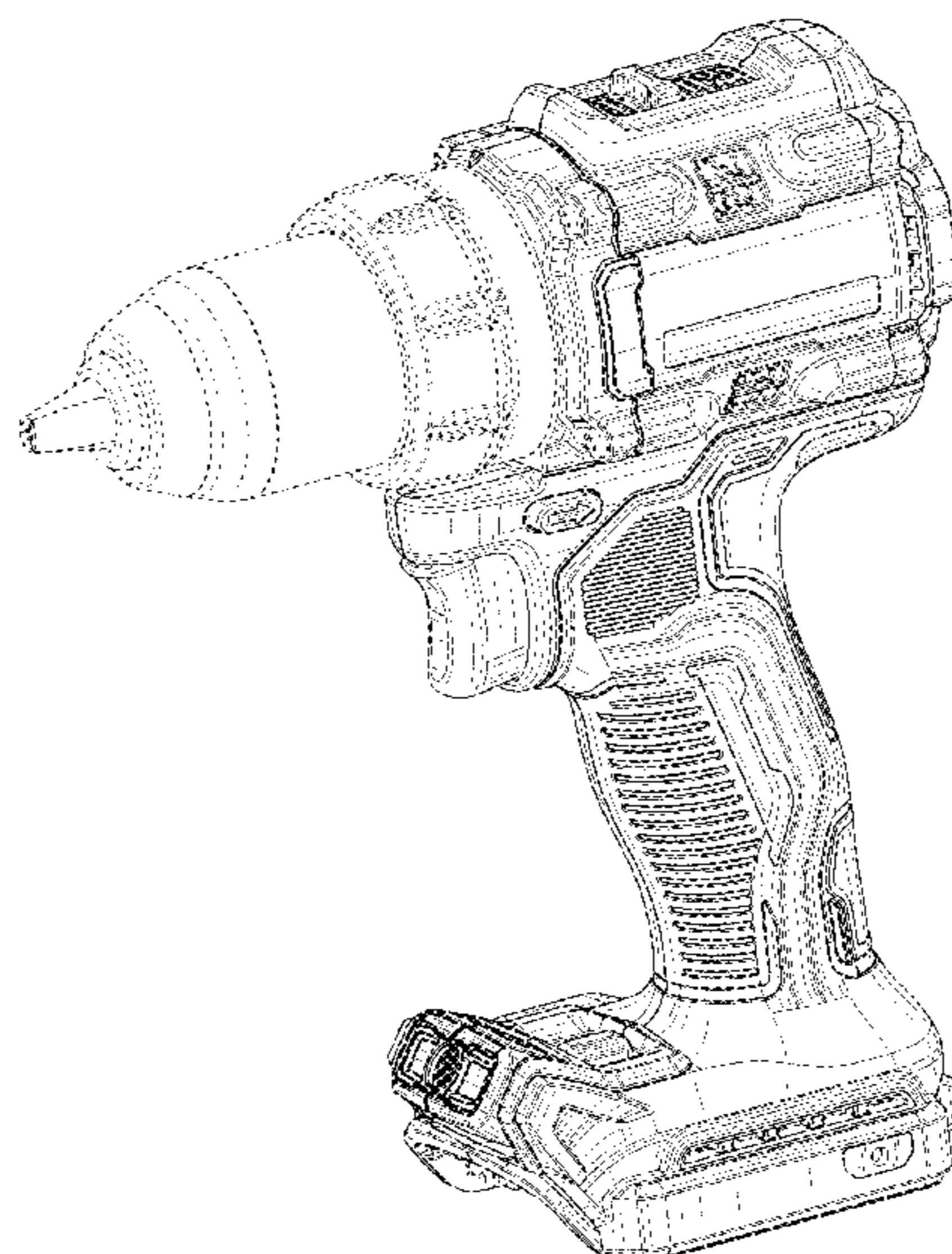
(57) **CLAIM**

The ornamental design for a drill, as shown and described.

DESCRIPTION

FIG. 1 is a perspective view of the drill.
FIG. 2 is a front view of the drill of FIG. 1.
FIG. 3 is a rear view of the drill of FIG. 1.
FIG. 4 is a left view of the drill of FIG. 1.
FIG. 5 is a right view of the drill of FIG. 1.
FIG. 6 is a top view of the drill of FIG. 1; and,
FIG. 7 is a bottom view of the drill of FIG. 1.
The broken lines depict portions of the drill and form no part of the claimed design.

1 Claim, 7 Drawing Sheets



(56)

References Cited

U.S. PATENT DOCUMENTS

9,923,249 B2 3/2018 Rejman et al.
 10,018,337 B2 7/2018 Dorman et al.
 D826,669 S * 8/2018 Kosugi D8/68
 10,400,962 B2 9/2019 Keller
 10,458,631 B2 10/2019 Dorman et al.
 10,478,950 B2 11/2019 Nagasaka et al.
 D895,389 S * 9/2020 Matteo D8/68
 10,906,163 B2 2/2021 Nagasaka et al.
 D925,316 S * 7/2021 Matteo D8/68
 D936,442 S * 11/2021 Nakamura D8/68
 2004/0090781 A1 5/2004 Yeoh
 2005/0111223 A1 5/2005 Lee et al.
 2006/0262519 A1 11/2006 Hirschburger et al.
 2007/0229008 A1 10/2007 Roehm et al.
 2007/0229027 A1 10/2007 Roehm et al.
 2014/0338948 A1* 11/2014 Hester B25F 5/02
 173/171
 2017/0284078 A1 10/2017 Puzio et al.
 2017/0355072 A1* 12/2017 Mao B25F 5/001
 2019/0285257 A1 9/2019 Gall et al.
 2020/0056768 A1 2/2020 Dorman et al.
 2021/0107131 A1* 4/2021 Kuehne B25F 5/001

2021/0143491 A1* 5/2021 Qiu B25F 5/02
 2021/0384793 A1* 12/2021 Bailey H02K 11/33
 2022/0329197 A1* 10/2022 Li B25F 5/00

FOREIGN PATENT DOCUMENTS

CN 210567875 U 5/2020
 CN 211203812 U 8/2020
 DE 29807070 U1 6/1998
 DE 20102138 U1 6/2001
 DE 102008003484 A1 7/2009
 DE 102019111973 A1 5/2020
 EP 3517249 A1 7/2019
 FR 2929543 A1 10/2009
 JP 2512328 Y2 10/1996
 JP 1044064 A 2/1998
 JP 2004341451 A 12/2004
 JP 3936601 B2 3/2007
 JP 2009214239 A 9/2009
 JP 5452276 B2 1/2014
 JP 5880924 B2 2/2016
 WO 2008133317 A1 11/2008
 WO 2020230454 A1 11/2020

* cited by examiner

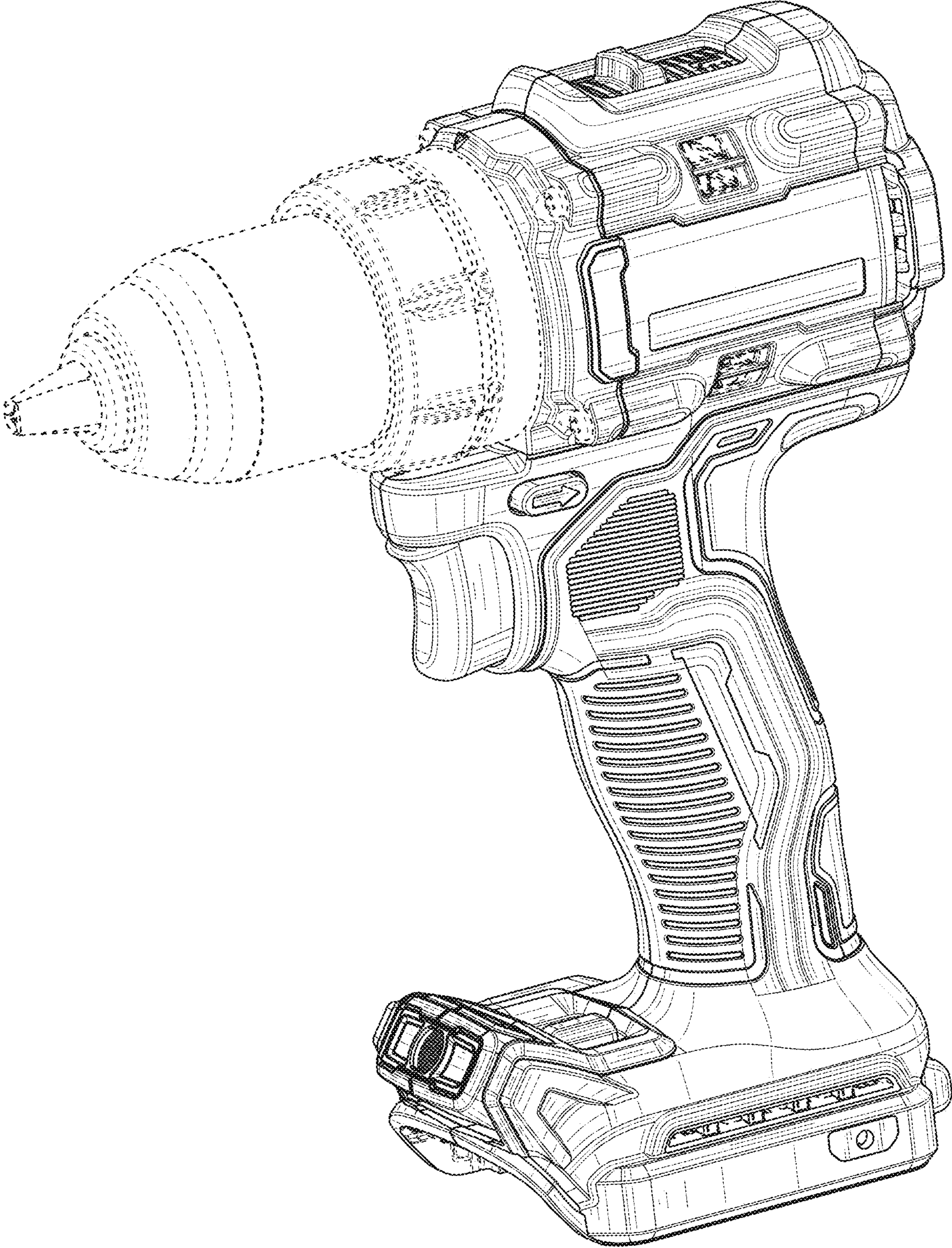


FIG. 1

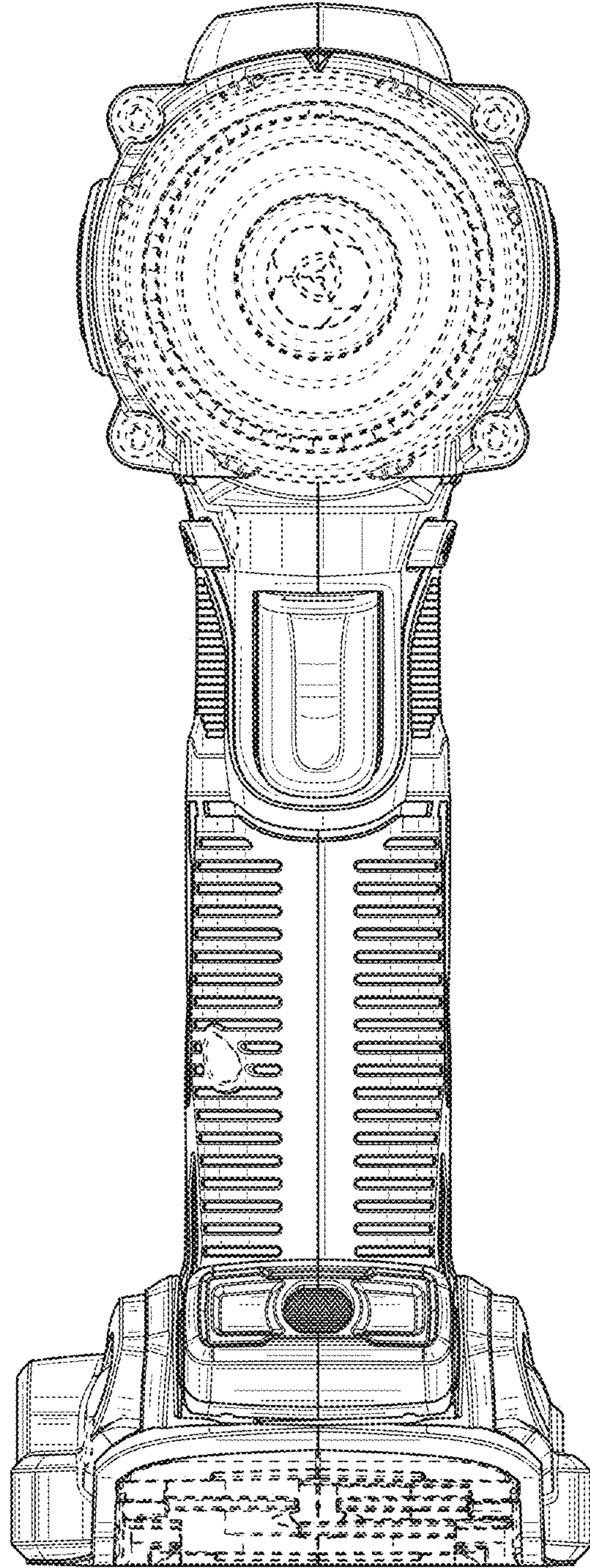


FIG. 2

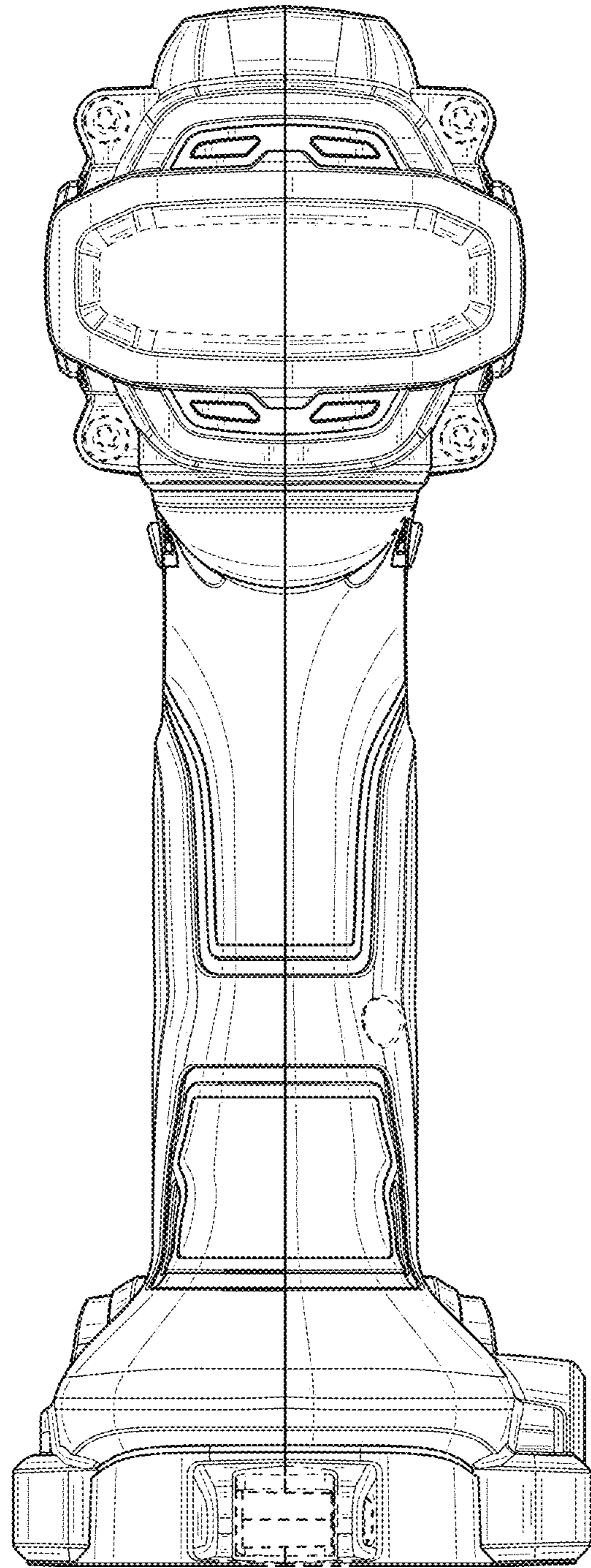


FIG. 3

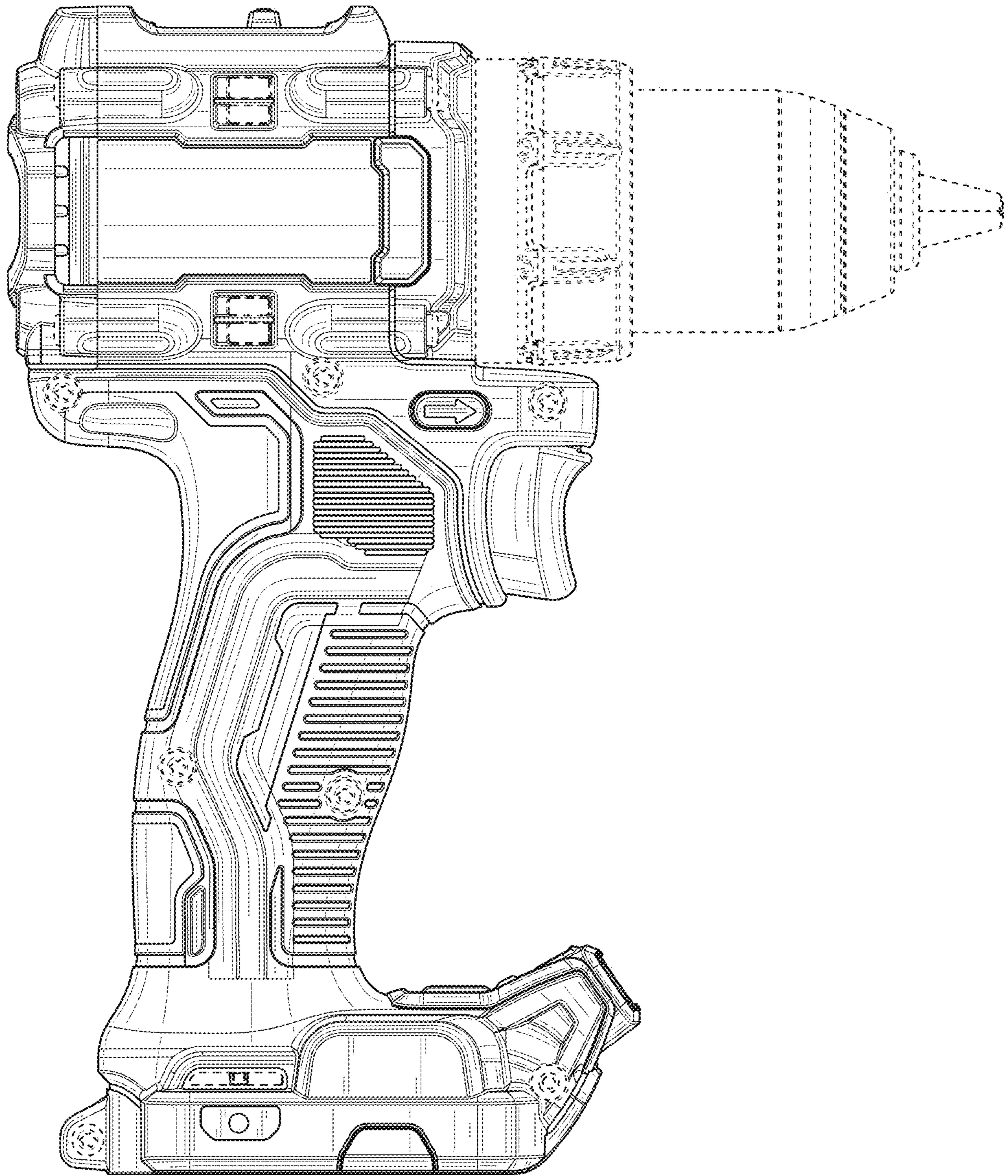


FIG. 4

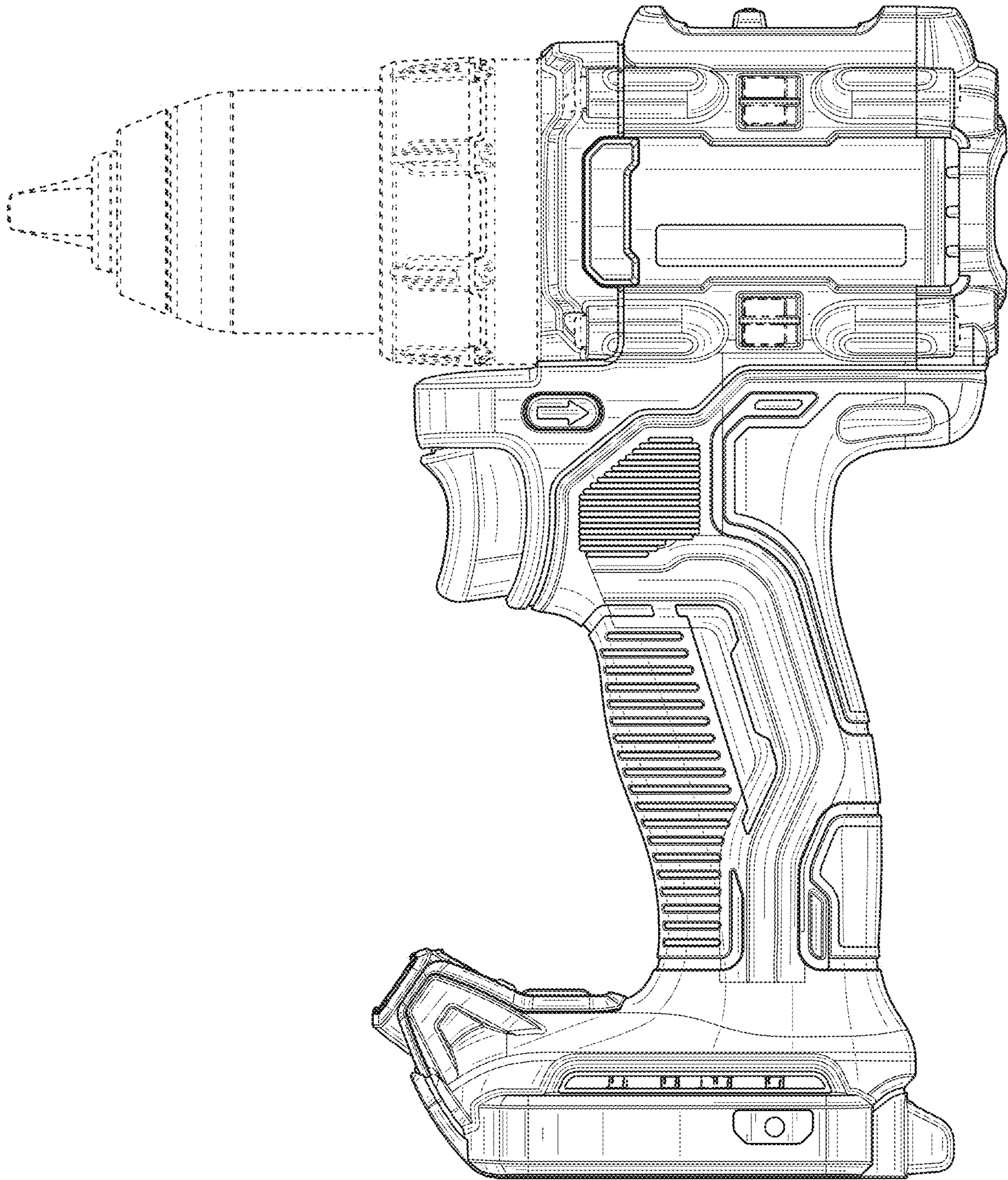


FIG. 5

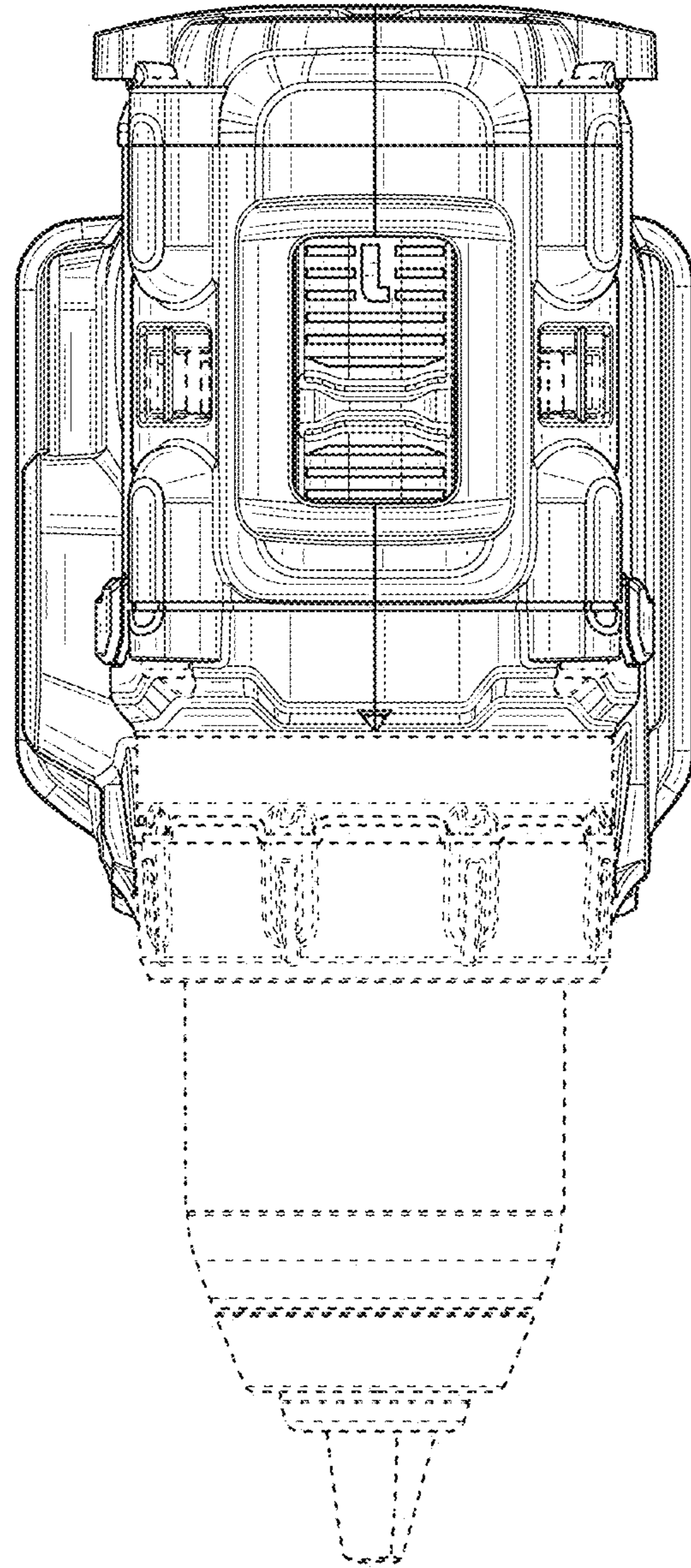


FIG. 6

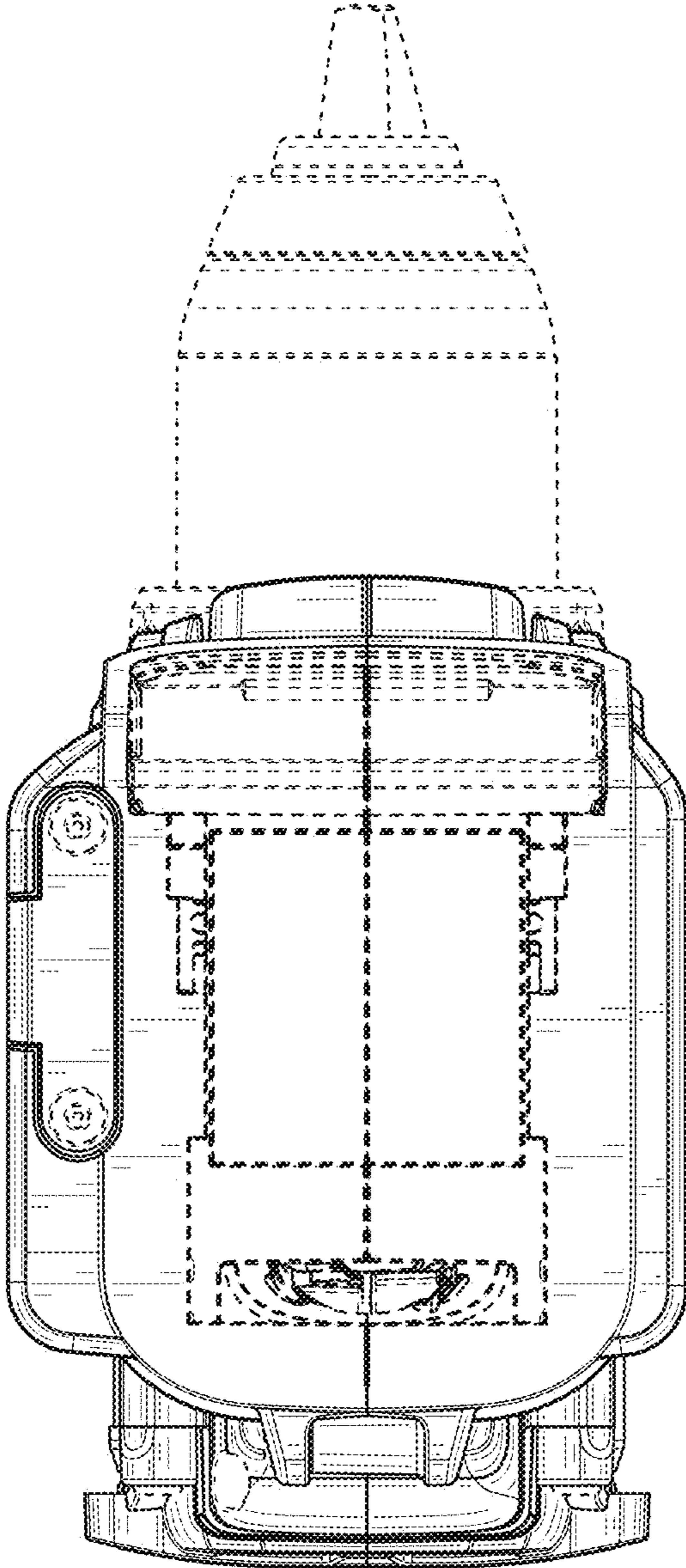


FIG. 7