

US0D1017241S

(12) **United States Design Patent** (10) **Patent No.:** **US D1,017,241 S**
Donovan (45) **Date of Patent:** **** Mar. 12, 2024**

(54) **WEAPON TRANSPORT BAG**
(71) Applicant: **Kirk Ross Donovan**, Spring, TX (US)
(72) Inventor: **Kirk Ross Donovan**, Spring, TX (US)

(**) Term: **15 Years**

(21) Appl. No.: **29/814,279**

(22) Filed: **Nov. 4, 2021**

(51) **LOC (14) Cl.** **03-01**

(52) **U.S. Cl.**
USPC **D3/262**

(58) **Field of Classification Search**
USPC D3/262, 272-273, 276, 279, 289
CPC F41C 33/06
See application file for complete search history.

(56) **References Cited**

U.S. PATENT DOCUMENTS

439,562	A *	10/1890	Richards	F41C 33/06
					211/64
3,876,223	A *	4/1975	O'Reilly	A63B 55/60
					280/47.26
D269,480	S *	6/1983	Peterson	D14/193
4,836,565	A *	6/1989	Catalo	A63B 55/00
					280/DIG. 6
5,071,147	A *	12/1991	Stansbury	A63B 55/40
					280/DIG. 6
D360,296	S *	7/1995	Hunsaker	D3/255
D365,903	S	1/1996	Boyle	
D375,405	S *	11/1996	Hunsaker	D3/255
D436,439	S *	1/2001	Dennesen	D3/255
6,272,785	B1	8/2001	Mika	
D449,163	S *	10/2001	Dahlen	D3/279
D476,153	S *	6/2003	Sadr	D3/279
6,575,482	B2	6/2003	Dombroskie	
D491,724	S *	6/2004	Sanderson	D3/255

D607,207	S *	1/2010	Horiyama	D3/905
D664,765	S *	8/2012	Saia	D3/289
D718,933	S *	12/2014	Brown, Jr.	D3/904
9,545,549	B2	1/2017	Soracco	
2022/0034627	A1*	2/2022	Donovan	F41C 33/06

OTHER PUBLICATIONS

50" Green Canvas & Leather Gun Bag Pro Gun Slip & Stand, unknown first available date, gdkoutdoors.co.uk [online], [site visited Jul. 7, 2023], Available at URL: <https://www.gdkoutdoors.co.uk/product/green-canvas-leather-gun-bag-pro-slipstand/> (Year: 2023).
Rugged Gear Shooting Cart Combo Package, Retrieved from Internet, Retrieved on Jun. 11, 2020 <URL: <https://ruggedgear.com/3-gun-competition-shooting-cart-combo/>>.

* cited by examiner

Primary Examiner — Andrew Kerr
Assistant Examiner — Caitlin A Laverty

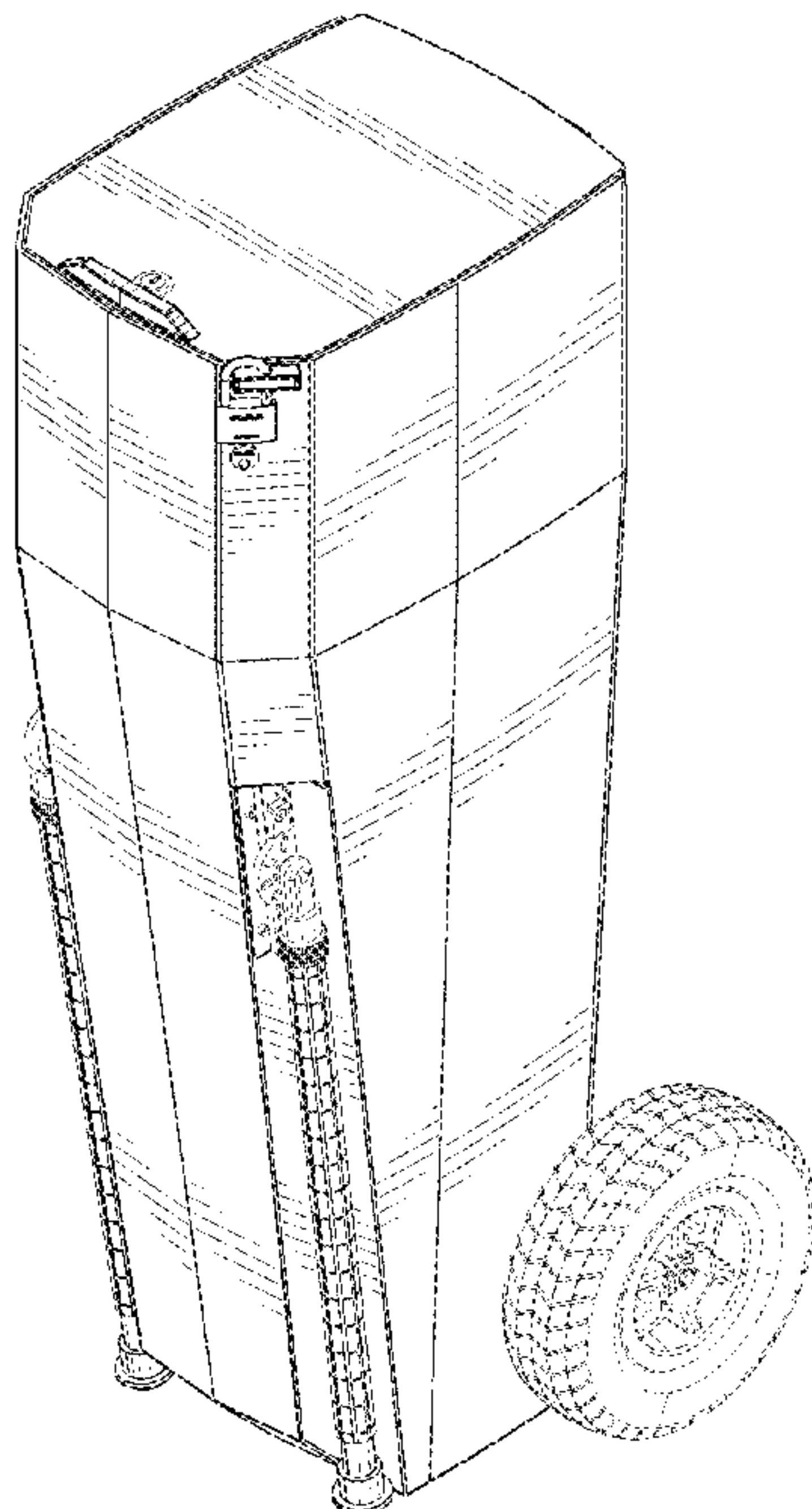
(57) **CLAIM**

The ornamental design for a weapon transport bag, as shown and described.

DESCRIPTION

FIG. 1 is a front top perspective view of the weapon transport bag showing my new design; FIG. 2 is a right side elevational view thereof; FIG. 3 is a rear elevational view thereof; FIG. 4 is a left side elevational view thereof; FIG. 5 is a front elevational view thereof; FIG. 6 is a top plan view thereof; FIG. 7 is a bottom plan view thereof; and, FIG. 8 is a front bottom perspective view thereof. The broken lines for the present invention as seen in FIGS. 1-8 are included for the purpose of illustrating environmental structure and form no part of the claimed design.

1 Claim, 8 Drawing Sheets



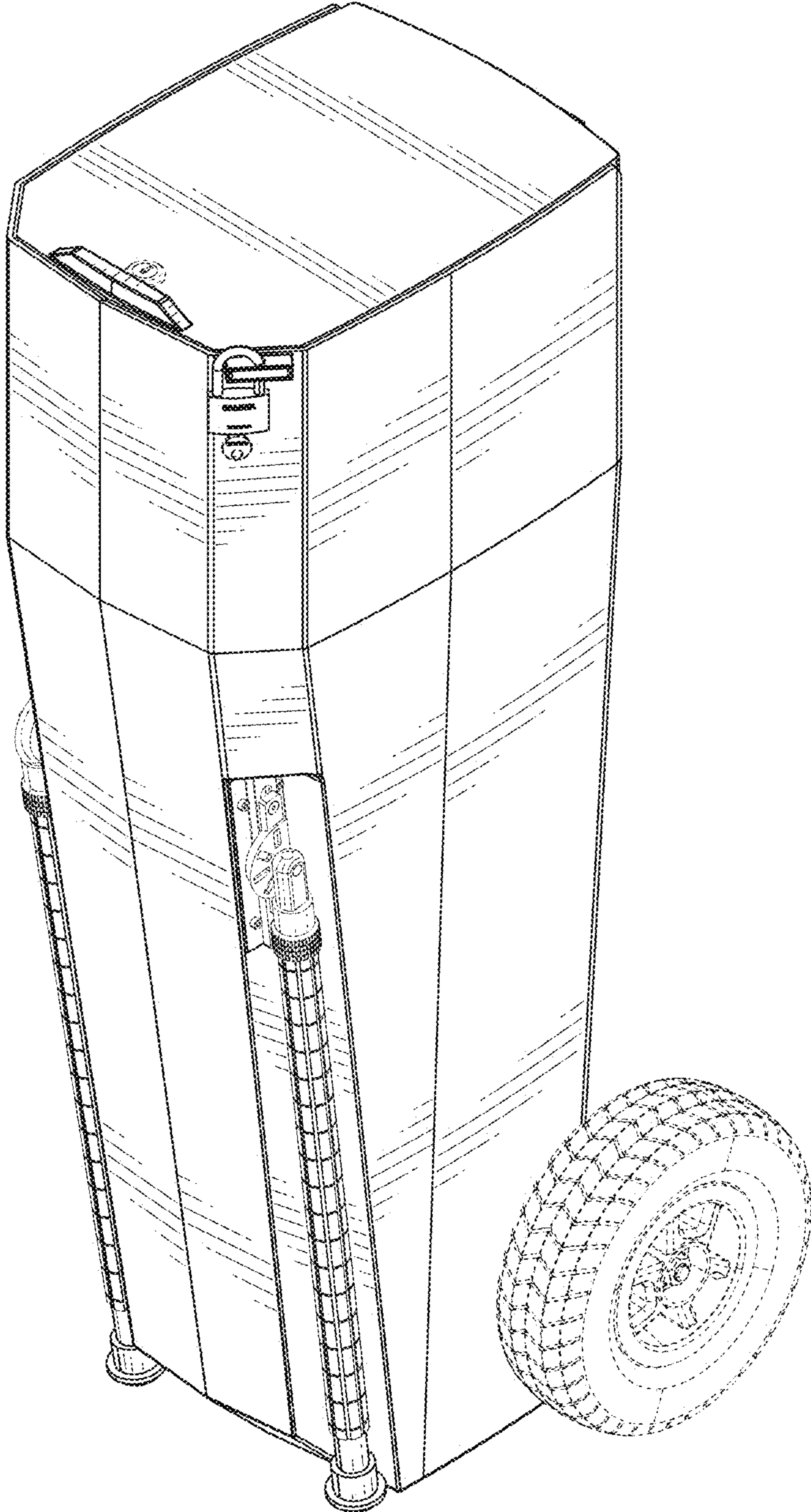


FIG. 1

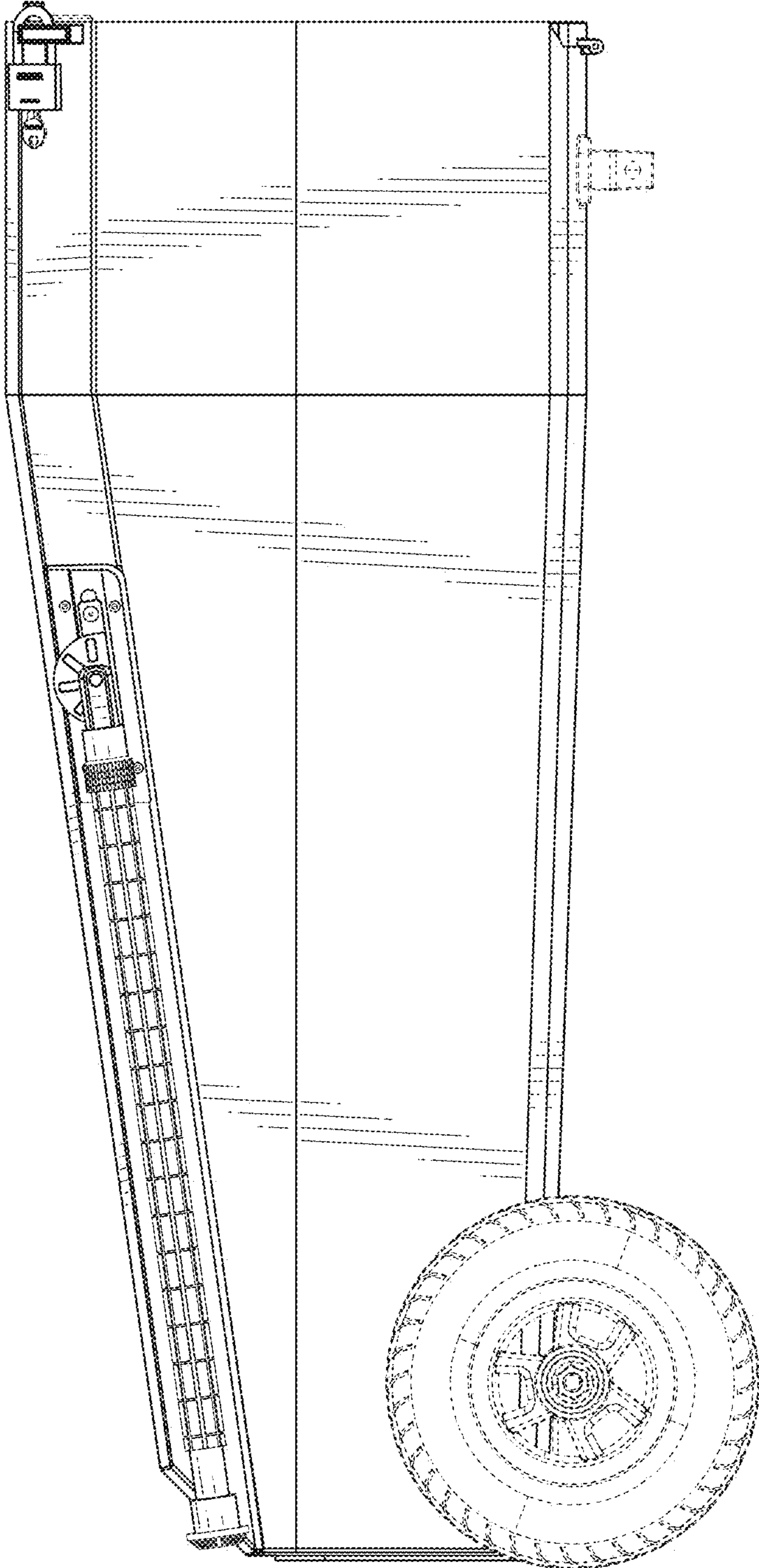


FIG. 2

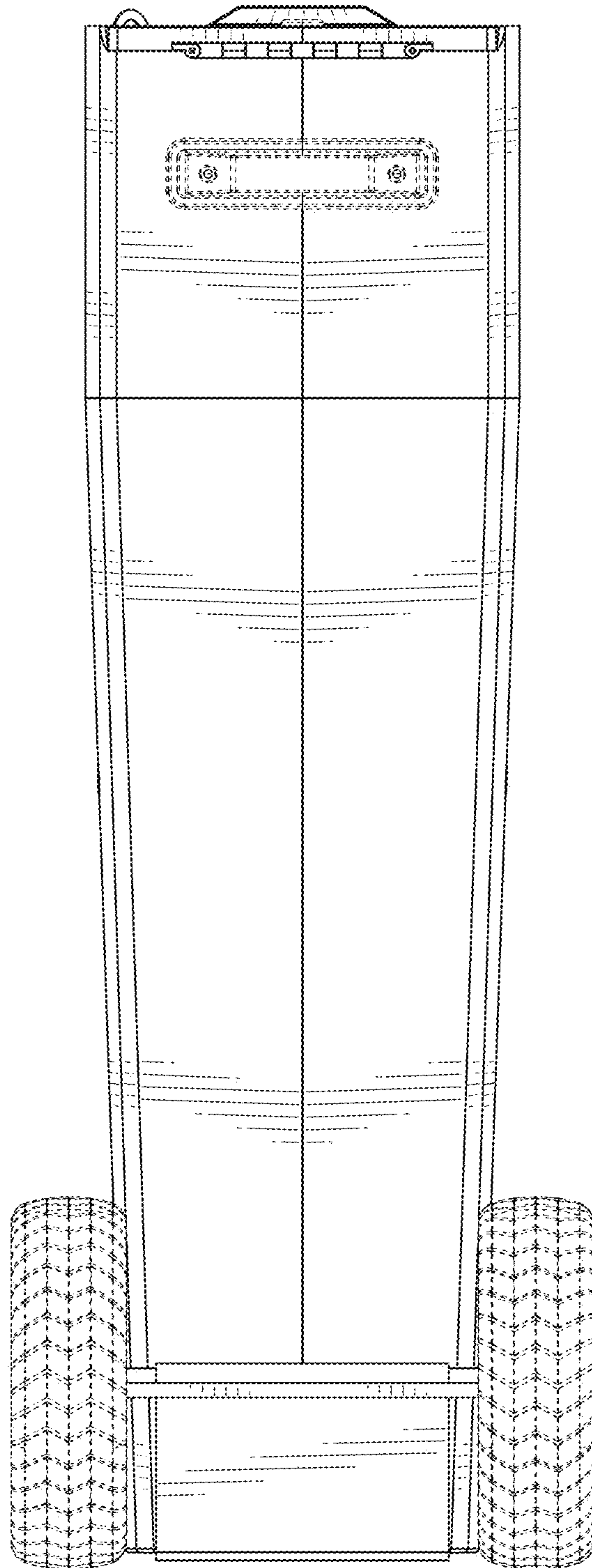


FIG. 3

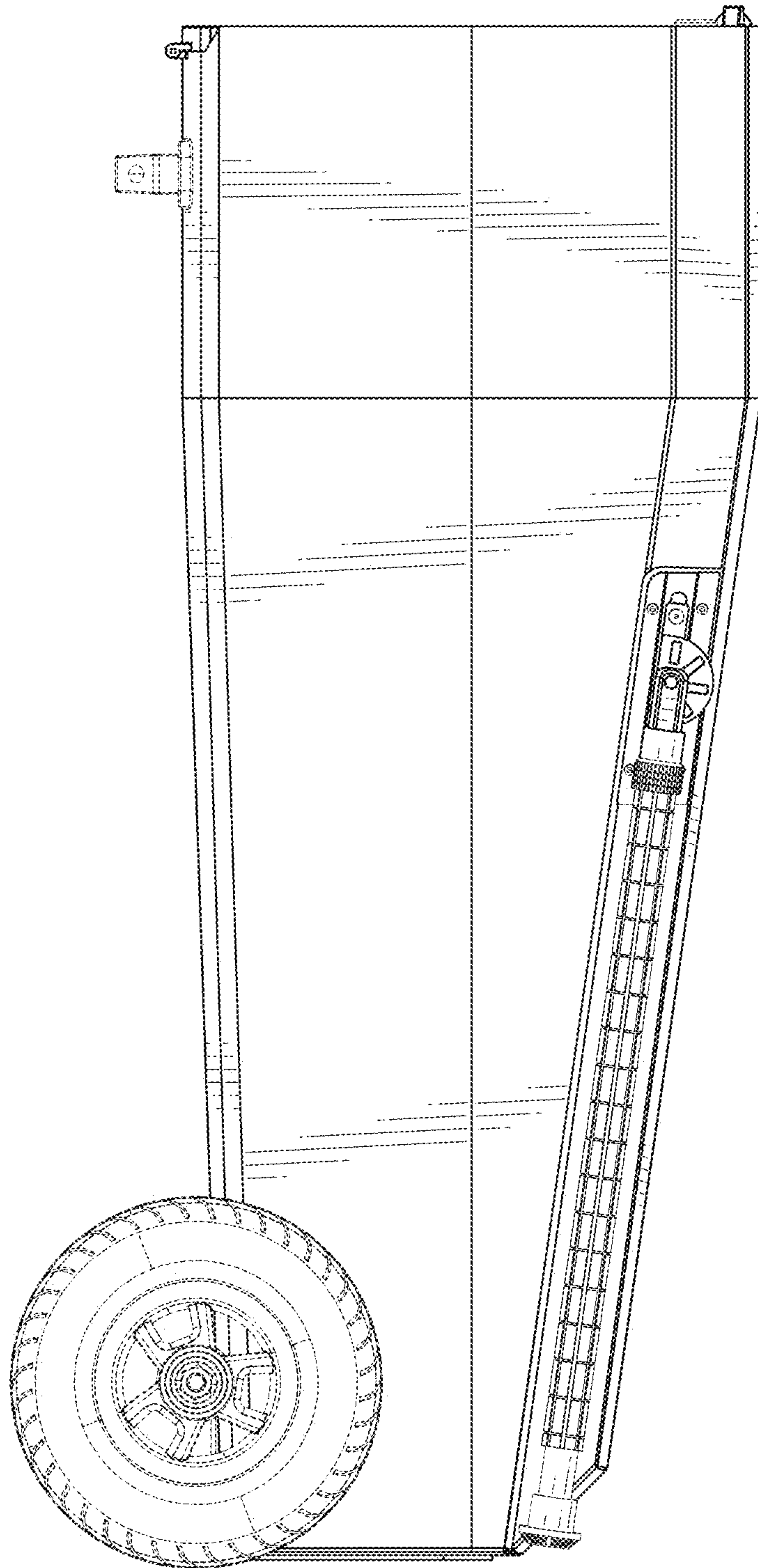


FIG. 4

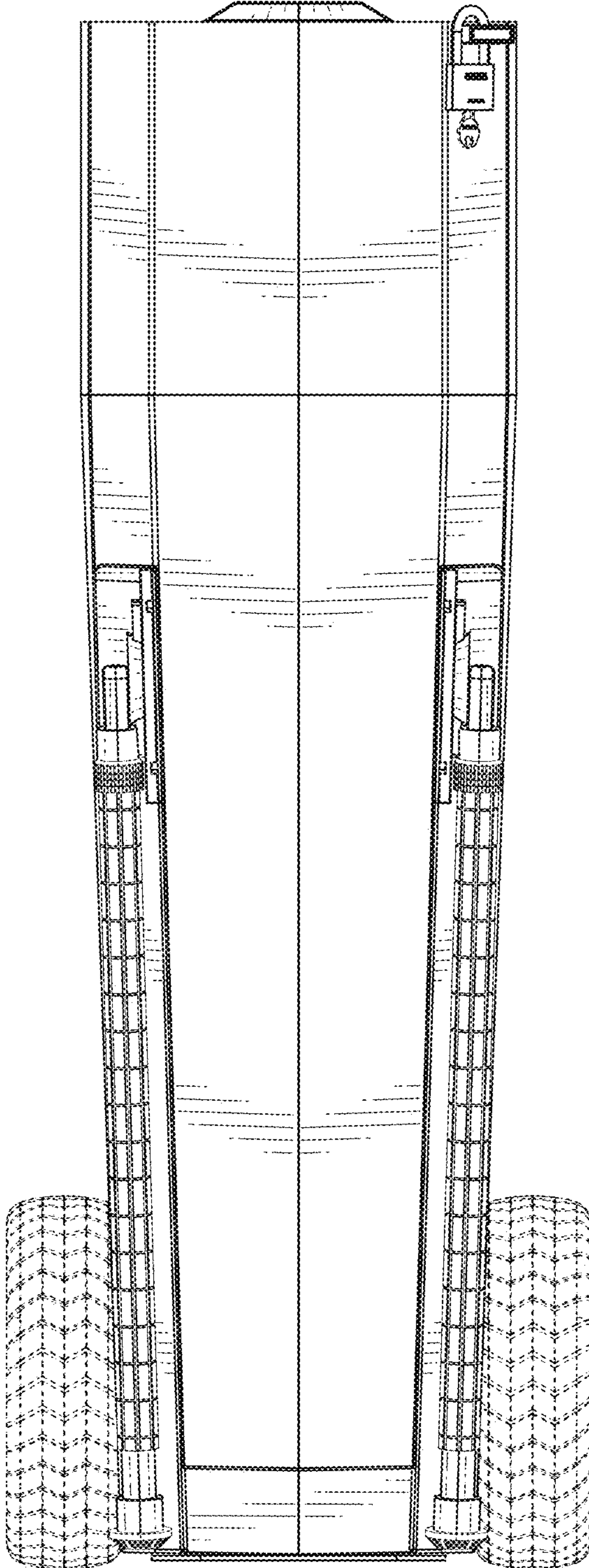


FIG. 5

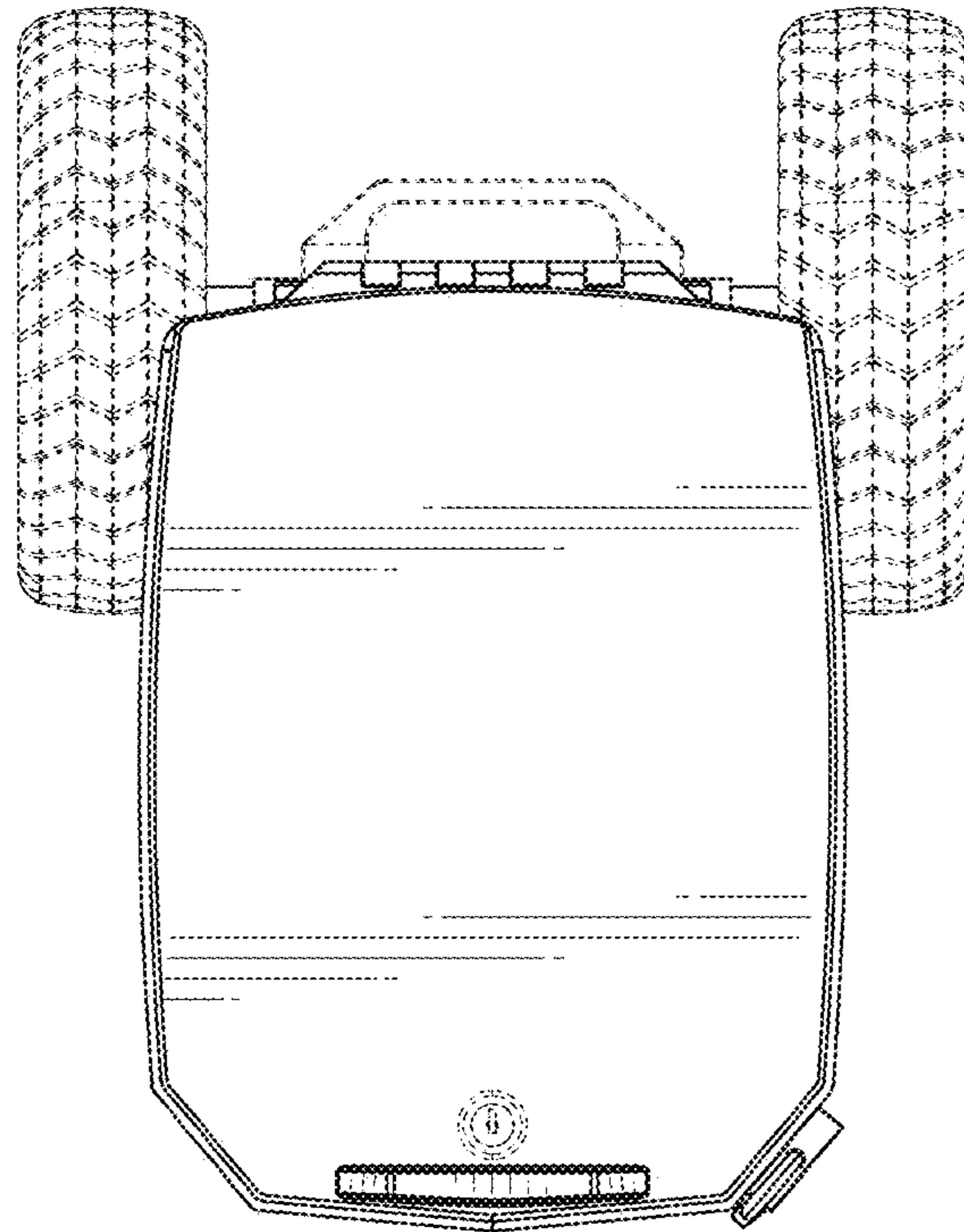


FIG. 6

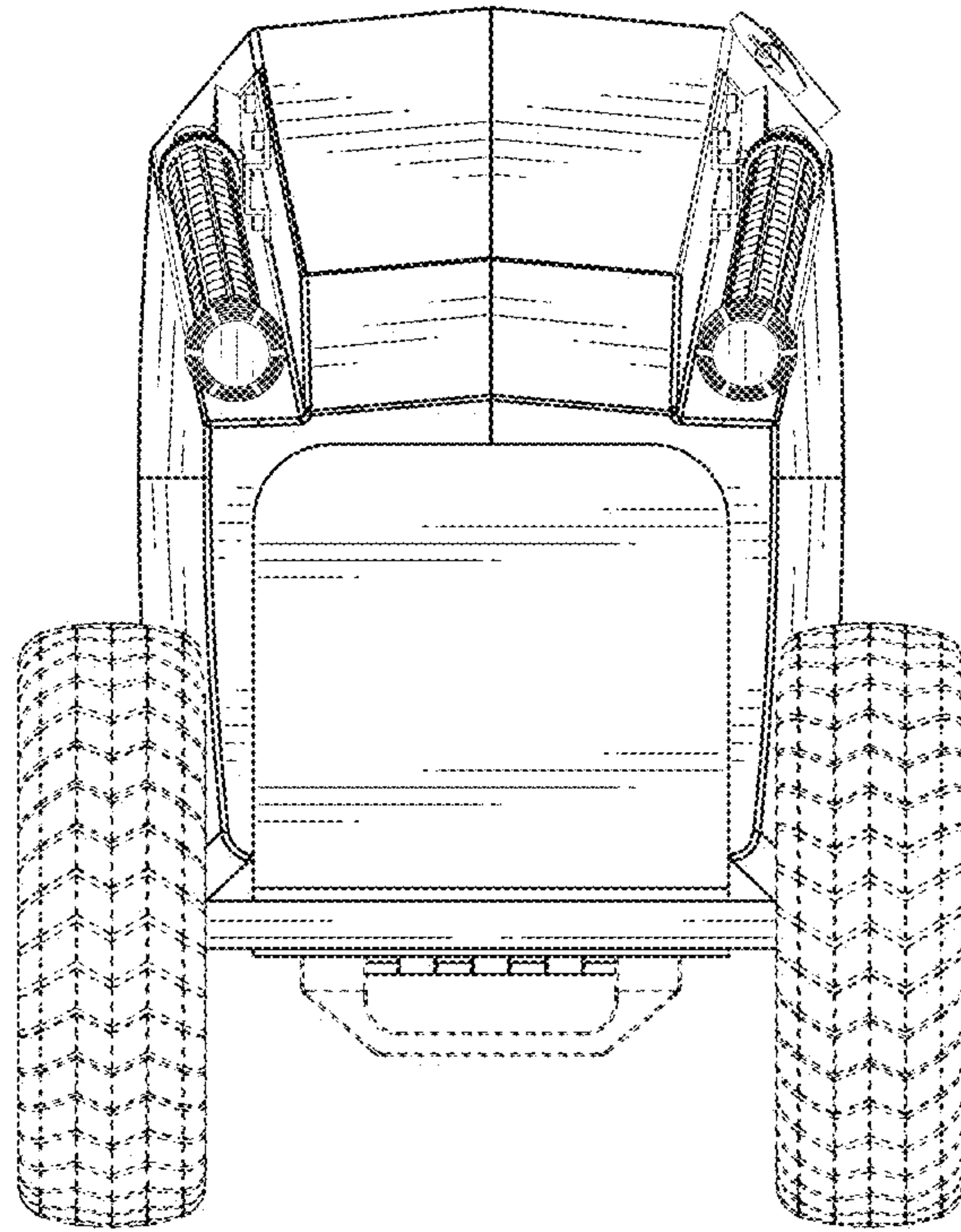


FIG. 7

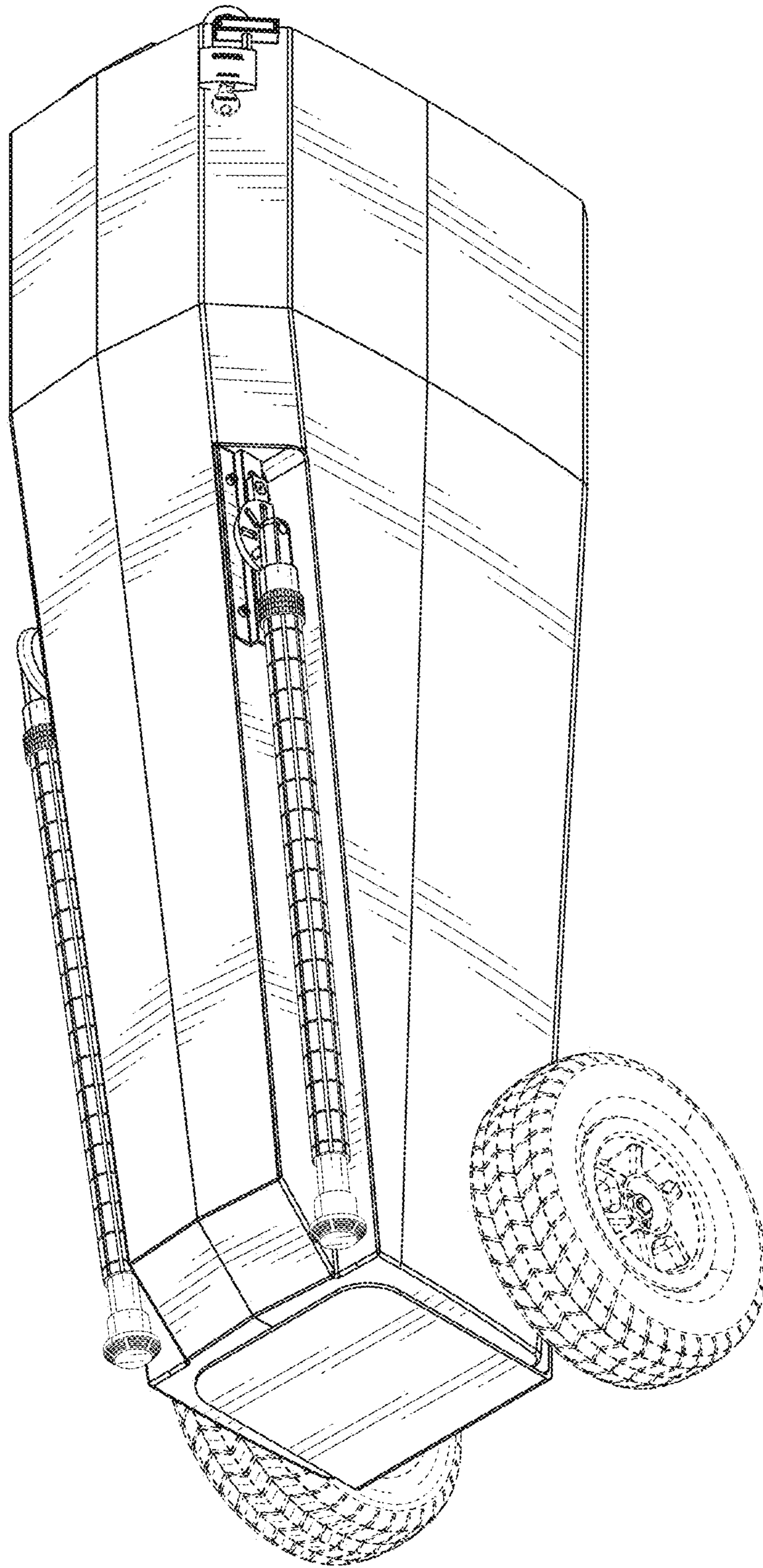


FIG. 8