



US0D1017146S

(12) **United States Design Patent** (10) **Patent No.:** **US D1,017,146 S**
Rendon (45) **Date of Patent:** **** Mar. 5, 2024**

(54) **PET TOOTHBRUSH**
(71) Applicant: **Angela Marie Rendon**, Calgary (CA)
(72) Inventor: **Angela Marie Rendon**, Calgary (CA)
(**) Term: **15 Years**
(21) Appl. No.: **29/769,573**
(22) Filed: **Feb. 5, 2021**
(51) **LOC (14) Cl.** **30-10**
(52) **U.S. Cl.**
USPC **D30/158**
(58) **Field of Classification Search**
USPC D30/158, 159, 199; D8/61, 62, 69, 70;
D4/104; D28/56-62
CPC A01K 13/00; A01K 13/001; A01K 13/002;
A01K 13/0002; A01K 15/026; A45D
29/02; A45D 29/04; A45D 29/05; A45D
29/06; A45D 29/11; A45D 29/14; A45D
24/007; A46B 2200/1026; A46B
2200/1066; A46B 2200/1086; A46B
2200/1093
See application file for complete search history.

(56) **References Cited**

U.S. PATENT DOCUMENTS

D410,788 S * 6/1999 Rangel A01K 15/026
D4/138
5,912,285 A * 6/1999 Godsey A01K 15/026
119/710
D496,773 S * 10/2004 Tepper D1/199
D499,226 S * 12/2004 Axelrod D1/199
D575,455 S * 8/2008 Fiene D28/59
D578,726 S * 10/2008 Edwards A46B 7/06
D30/160
D587,427 S * 3/2009 Torney D1/106
D601,805 S * 10/2009 Kayser D4/104
D640,874 S * 7/2011 Huang A01K 13/002
D4/138

D654,625 S * 2/2012 Rieser D28/59
D694,964 S * 12/2013 Axelrod D30/160
D740,518 S * 10/2015 Axelrod D1/199
D803,512 S * 11/2017 Falcone D1/199
D821,695 S * 7/2018 Spivak D1/112
D903,227 S * 12/2020 Baikie D1/106
D980,536 S * 3/2023 Wen D4/134
2005/0066462 A1 * 3/2005 Moskovich A46B 7/06
15/167.1
2006/0037160 A1 * 2/2006 Kayser A46B 5/0079
15/167.1
2006/0102099 A1 * 5/2006 Edwards A01K 15/026
119/710
2007/0101946 A1 * 5/2007 Penny A01K 13/002
119/709

(Continued)

FOREIGN PATENT DOCUMENTS

CN 307760174 * 12/2022
CO 12446-0001 * 8/2021

Primary Examiner — Sheryl Lane
Assistant Examiner — Emily A Caven

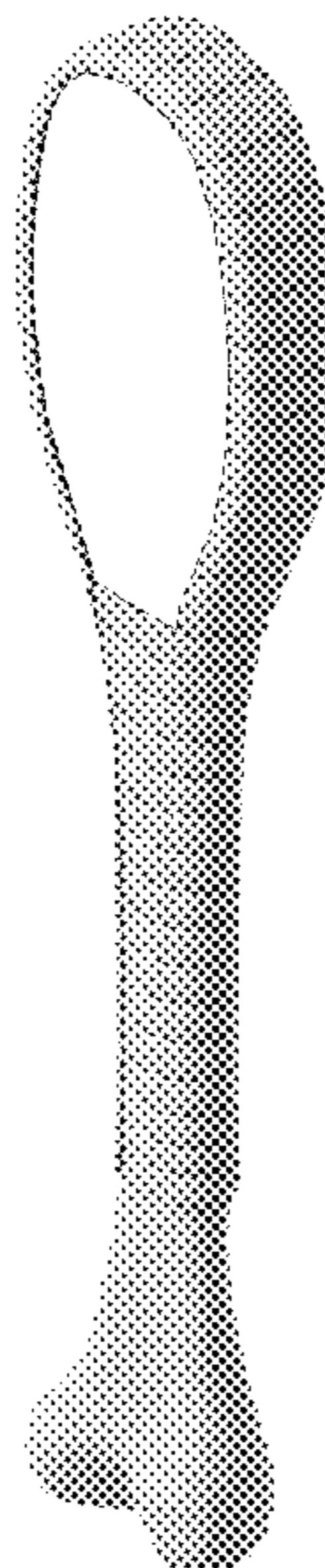
(57) **CLAIM**

The ornamental design for a pet toothbrush, as shown and described.

DESCRIPTION

FIG. 1 is a top-front-left perspective view of a pet toothbrush showing my new design;
FIG. 2 is a bottom-rear-right perspective view thereof;
FIG. 3 is a front elevational view thereof;
FIG. 4 is a rear elevational view thereof;
FIG. 5 is a left-side elevational view thereof, the right-side elevational view being mirrored thereto;
FIG. 6 is an enlarged top plan view thereof; and,
FIG. 7 is an enlarged bottom plan view thereof.
The broken lines in the drawings depict boundary lines of the pet toothbrush and form no part of the claimed design.

1 Claim, 7 Drawing Sheets



(56)

References Cited

U.S. PATENT DOCUMENTS

2008/0041320 A1 * 2/2008 Torney A23K 40/25
426/648

* cited by examiner

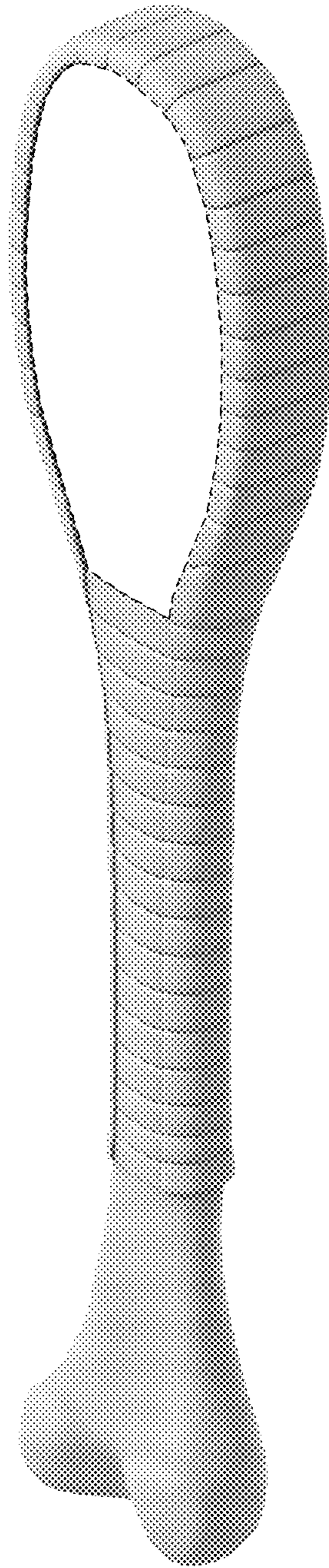


FIG. 1

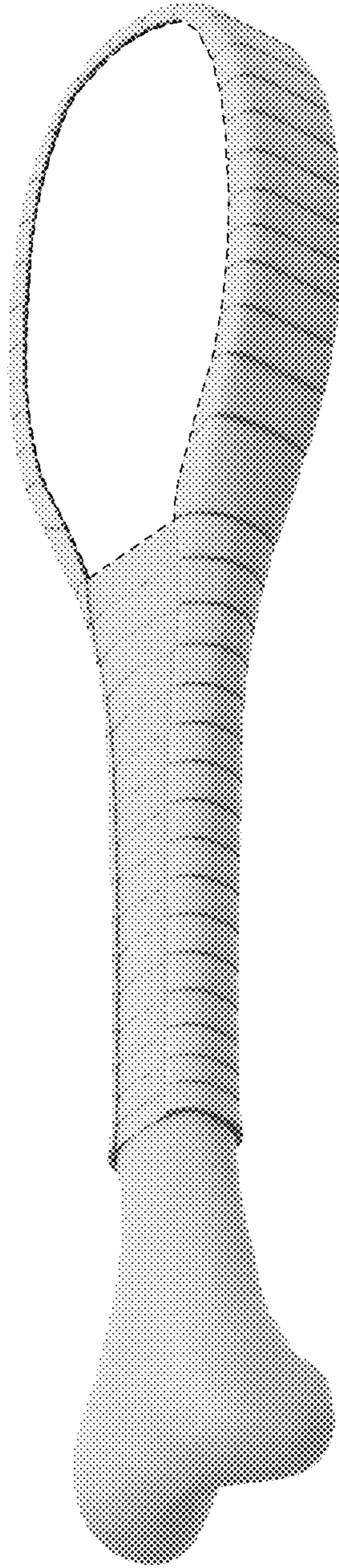


FIG. 2

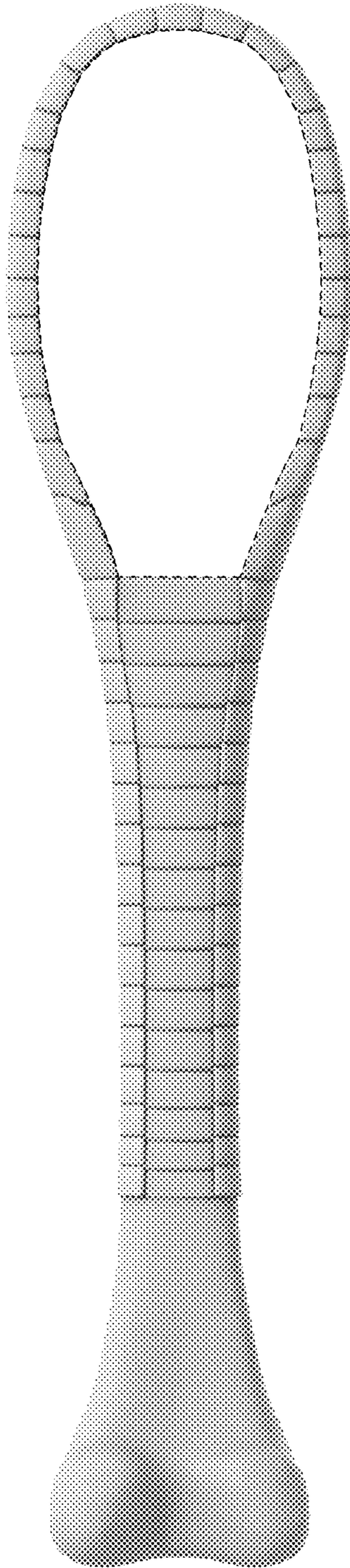


FIG. 3

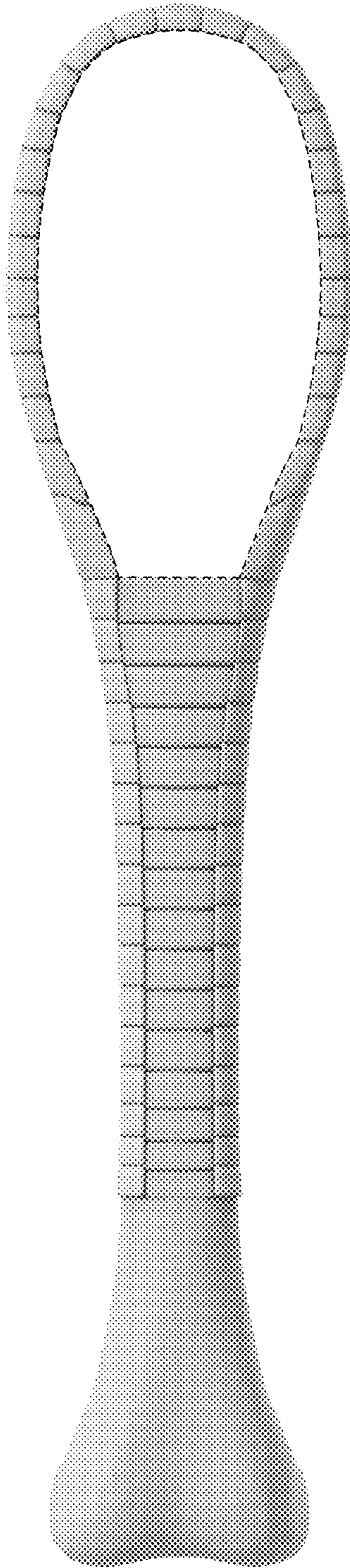


FIG. 4

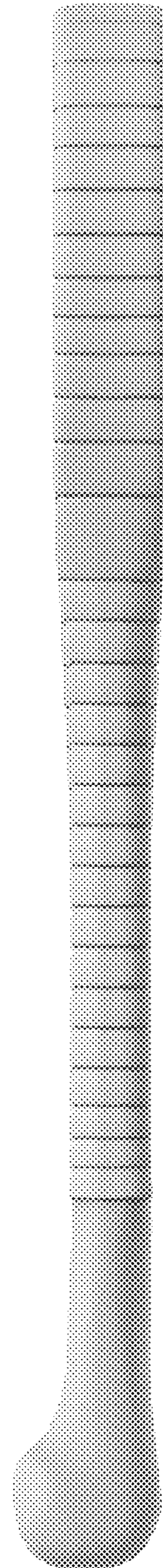


FIG. 5

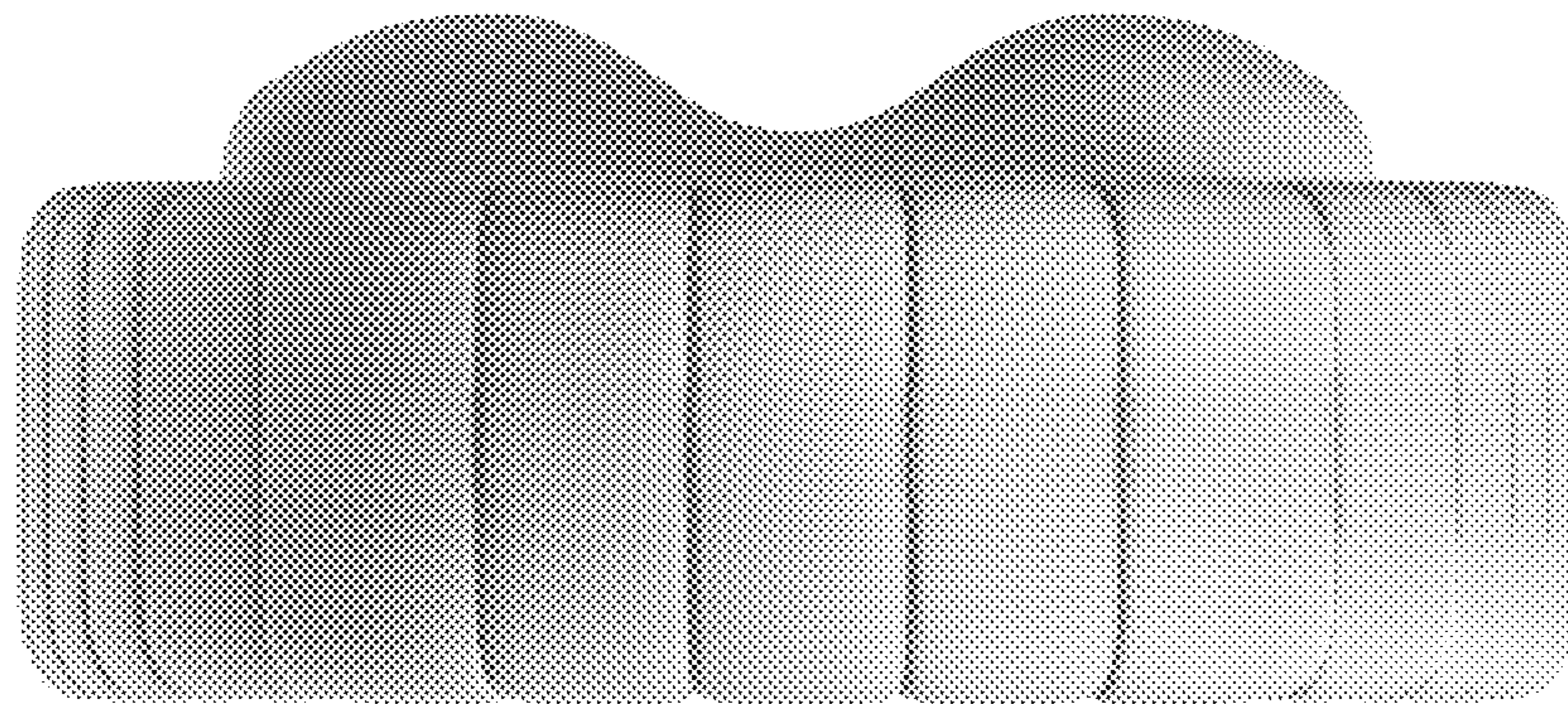


FIG. 6

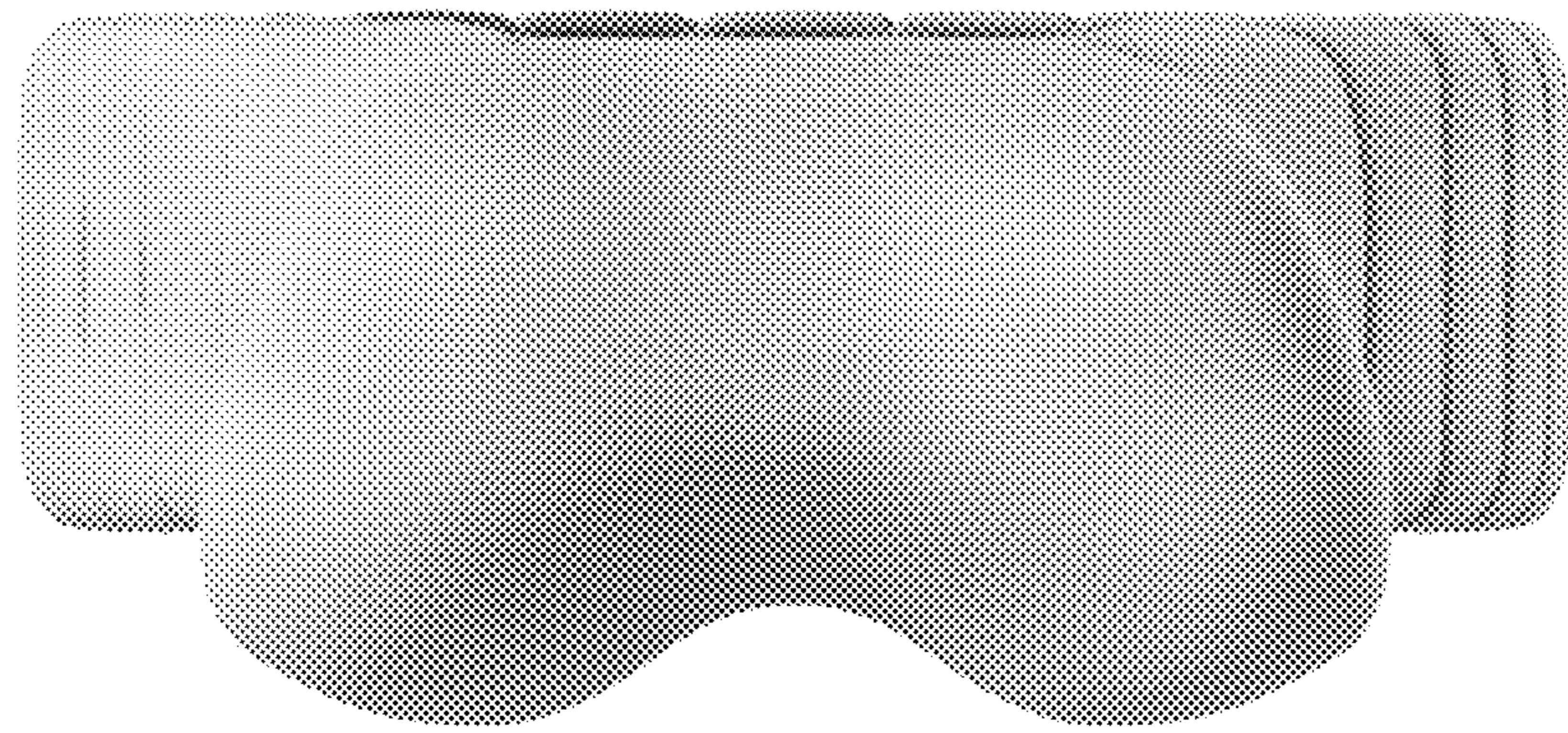


FIG. 7