



US0D1017056S

(12) **United States Design Patent**
Jung et al.

(10) **Patent No.: US D1,017,056 S**

(45) **Date of Patent: ** Mar. 5, 2024**

(54) **SKIN TREATMENT APPARATUS**

2007/0001; A16F 2007/0003; A16F
(Continued)

(71) Applicant: **LG ELECTRONICS INC.**, Seoul
(KR)

(56) **References Cited**

(72) Inventors: **Dana Jung**, Seoul (KR); **Min-ji Seo**,
Seoul (KR); **Gayeong Lee**, Seoul (KR)

U.S. PATENT DOCUMENTS

D265,247 S * 6/1982 MacGregor D24/214
D636,087 S * 4/2011 Loew D24/200
(Continued)

(73) Assignee: **LG ELECTRONICS INC.**, Seoul
(KR)

OTHER PUBLICATIONS

(**) Term: **15 Years**

LG Pra.L Dermathera Cartridge BARQ1 For Pra.L Dermathera
BLQ1, ebay.com, [online], [site visited May 6, 2023], Available
from internet URL: <https://www.ebay.com/itm/266160109953> (Year:
2023).*

(21) Appl. No.: **29/817,240**

(Continued)

(22) Filed: **Nov. 30, 2021**

Primary Examiner — Leanne Was-Englehart

Assistant Examiner — Holly M Rodriguez

(30) **Foreign Application Priority Data**

Jun. 17, 2021 (KR) 30-2021-0028887

(74) *Attorney, Agent, or Firm* — Birch, Stewart, Kolasch
& Birch, LLP

(51) **LOC (14) Cl.** **24-01**

(57) **CLAIM**

(52) **U.S. Cl.**

The ornamental design for a skin treatment apparatus, as
shown and described.

USPC **D24/200**; D24/209; D24/214; D28/44

(58) **Field of Classification Search**

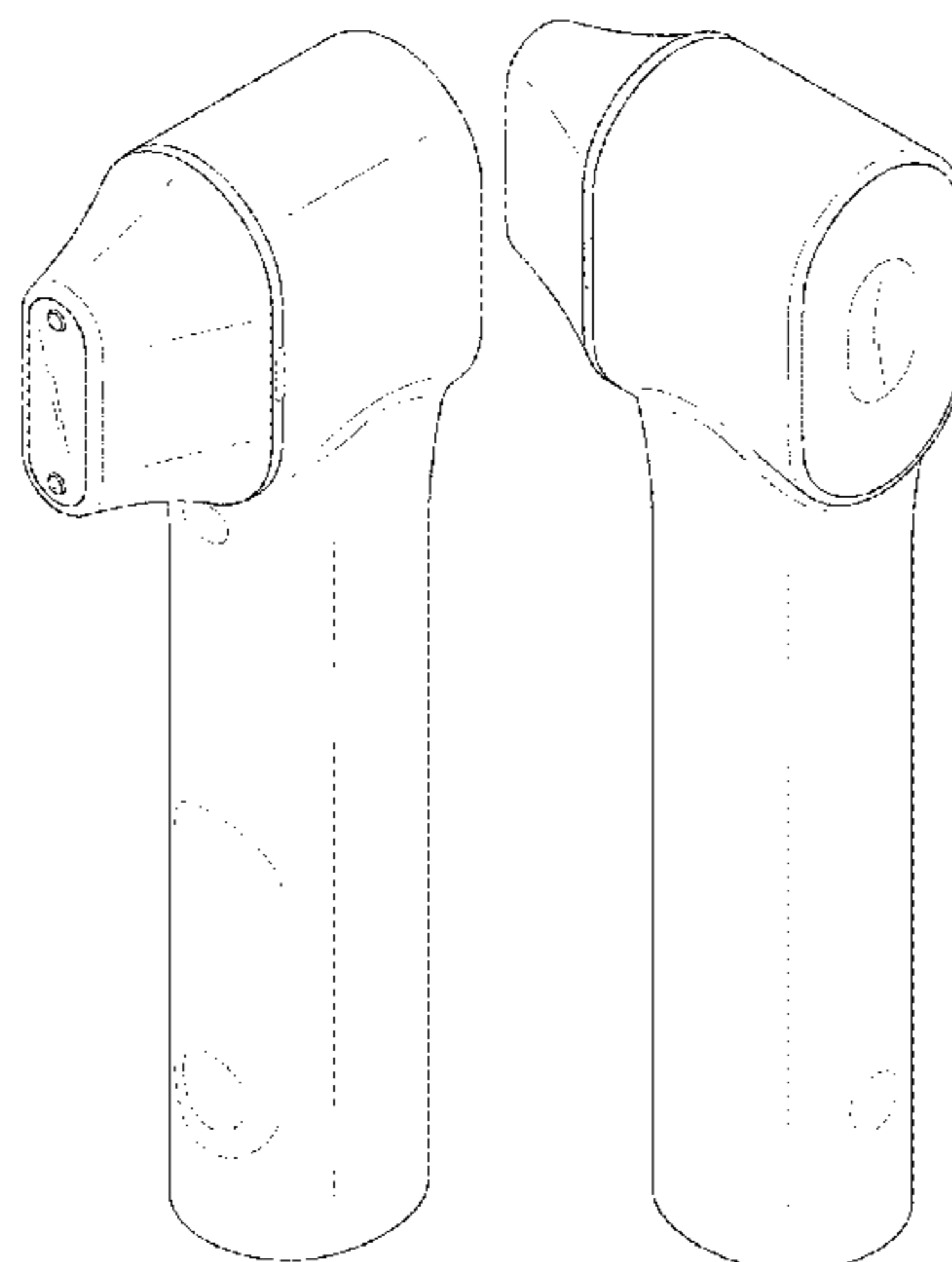
DESCRIPTION

USPC D24/200, 204, 121, 133, 137, 138, 222,
D24/141, 108, 111, 113, 127, 143, 148,
D24/152–154, 176, 179, 206, 209–216;
D7/323, 391, 354, 538, 629; D9/435,
D9/503, 424–428, 780, 432; D28/44.1, 9,
D28/44, 54.1, 56–58, 61, 99; D23/240,
D23/362, 364, 366; D14/341; D8/4,
D8/29.1, 29.2, 30–31, 39

CPC A61F 7/00; A61F 7/007; A61F 7/0085;
A61F 2007/0001; A61F 2007/0003; A61F
2007/0004; A61F 2007/0024; A61F
2007/0029; A61F 2007/0039; A61F
2007/0041; A61F 2007/0043; A16F

FIG. 1 is a front, right side perspective view of a skin
treatment apparatus showing our new design;
FIG. 2 is a rear perspective view thereof;
FIG. 3 is a front view thereof;
FIG. 4 is a rear view thereof;
FIG. 5 is a left side view thereof;
FIG. 6 is a right side view thereof;
FIG. 7 is a top view thereof;
FIG. 8 is a bottom view thereof;
FIG. 9 shows the state of being mounted on the charging
stand for skin treatment apparatus thereof; and,
FIG. 10 is an exploded perspective view in which the
cartridge is separated from the skin treatment apparatus.

(Continued)



The broken lines indicate portions of the article that form no part of the claimed design. The broken line showing of the charging stand for skin treatment apparatus is provided for the purpose of illustrating environmental structure and forms no part of the claimed design.

1 Claim, 10 Drawing Sheets

(58) **Field of Classification Search**

CPC 2007/0004; A16F 2007/0024; A16F 2007/0029; A16F 2007/0031; A16F 2007/0039; A16F 2007/0041; A16F 2007/0043; A47J 36/06; A61L 9/03; A61L 9/12; F27B 14/12; H05B 3/00; H05B 3/0052; A61H 33/04; A61H 2033/047; A61N 5/0616; A61N 2005/0652; A61N 2005/0644; A61N 7/00; A61N 1/0472; A61N 1/322; A61N 1/328; A61N 2005/007; A61N 2005/0647; A61N 2005/0662; A61N 2005/0663; A61N 2005/067; A61N 2007/0082; A45D 29/00; A45D 29/18; A45D 29/20; A45D 2200/205; A45D 2200/155; A45D 29/11; A45D 29/14; A45D 26/0014; A45D 2026/008; F24H 9/02

See application file for complete search history.

(56)

References Cited

U.S. PATENT DOCUMENTS

D636,088	S	*	4/2011	Loew	D24/200
D827,929	S	*	9/2018	Mathieu	D28/44
D895,207	S	*	9/2020	Huang	D24/209
D908,957	S	*	1/2021	Huang	D24/209
D923,192	S	*	6/2021	Park	D24/215
D925,828	S	*	7/2021	Kim	D28/24
D932,693	S	*	10/2021	Kim	D28/24
D967,527	S	*	10/2022	Yang	D24/209
D971,500	S	*	11/2022	Li	D24/209
D975,358	S	*	1/2023	Zhou	D24/209
D992,815	S	*	7/2023	Yang	D24/209
D998,238	S	*	9/2023	Zhu	D24/209

OTHER PUBLICATIONS

LG Pra.L DermaThera BLQ1 Ultrasonic Elasticity Uptension Facial Line Care Device, first available Feb. 10, 2023, ebay.com, [online], [site visited May 6, 2023], Available from internet URL: <https://www.ebay.com/itm/325530328739> (Year: 2023).*

LG Pral, Igpral.kr, [online], [site visited May 6, 2023], Available from internet URL: <https://www.lgpral.kr/> (Year: 2023).*

JOVS Venus Pro II IPL Hair Removal, first available Nov. 12, 2022, amazon.com, [online], [site visited May 6, 2023], Available from internet URL: <https://www.amazon.com/dp/B0BDD38H6C/> (Year: 2022).*

Laser Hair Removal Device, amazon.com, [online], [site visited May 6, 2023], Available from internet URL: <https://www.amazon.com/dp/B0BSH91BCJ/> (Year: 2023).*

* cited by examiner

FIG. 1

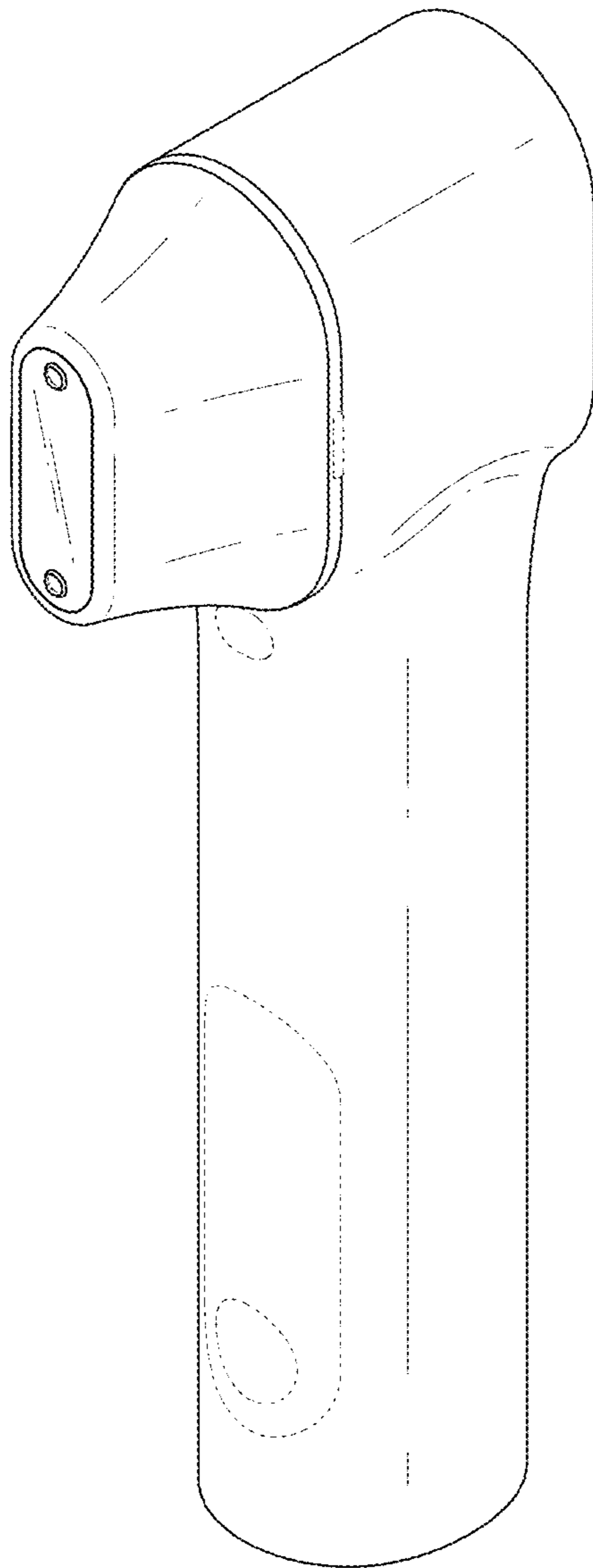


FIG. 2

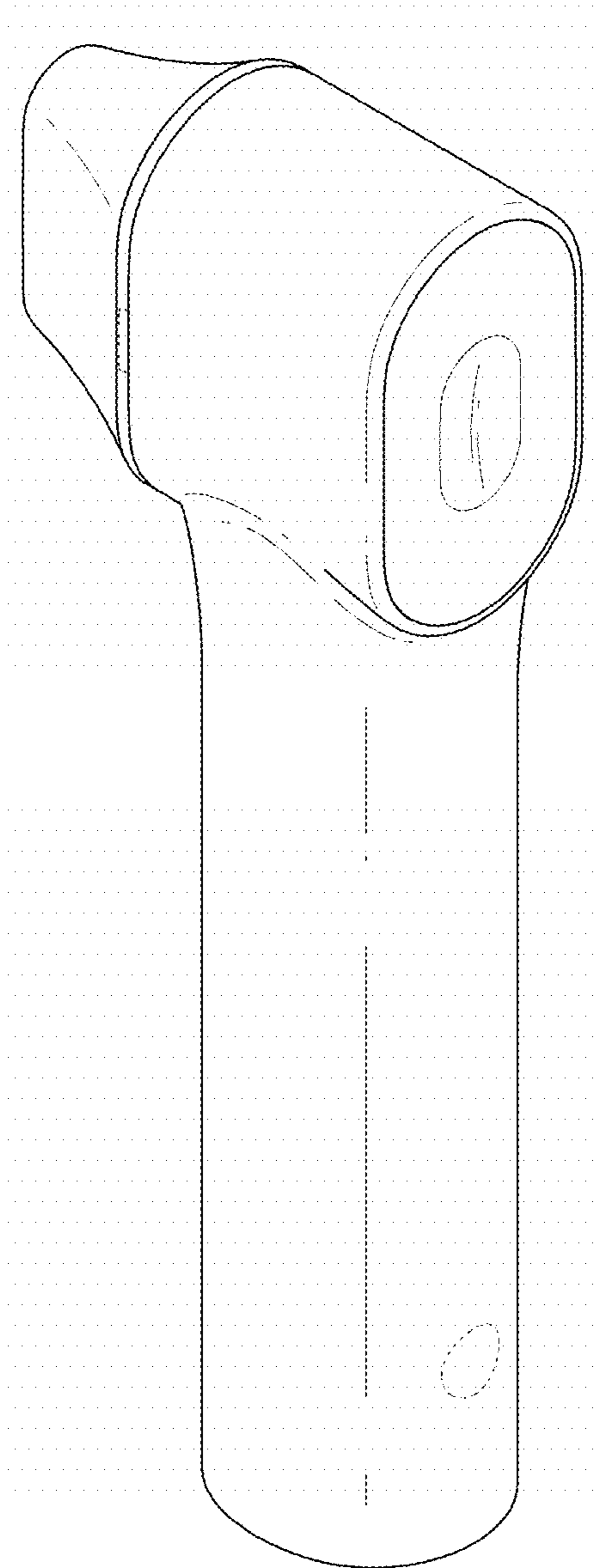


FIG. 3

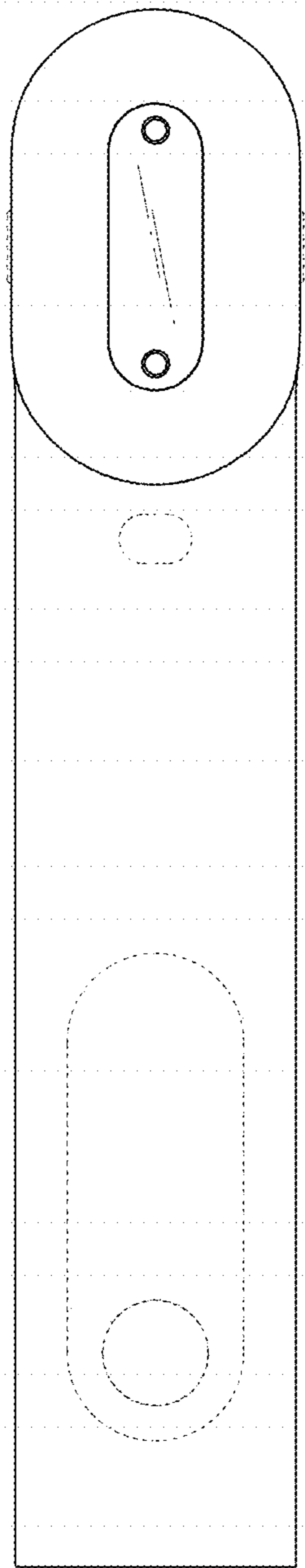


FIG. 4

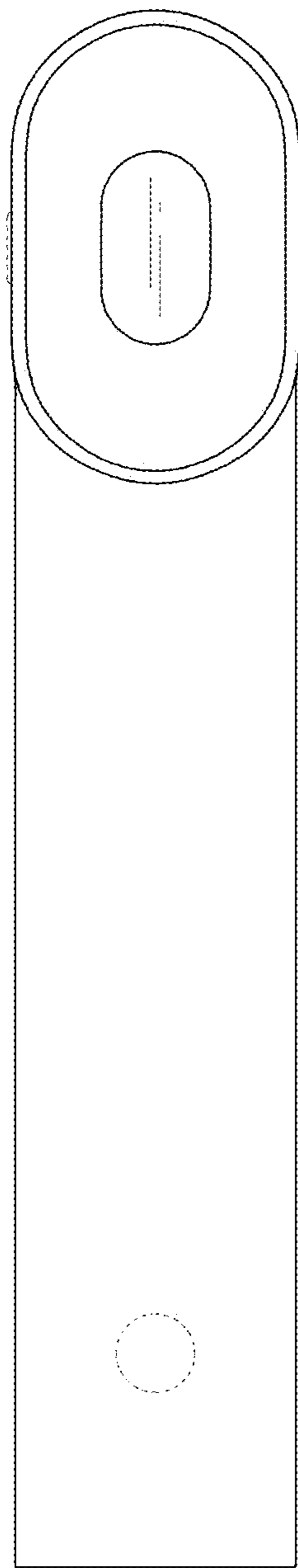


FIG. 5

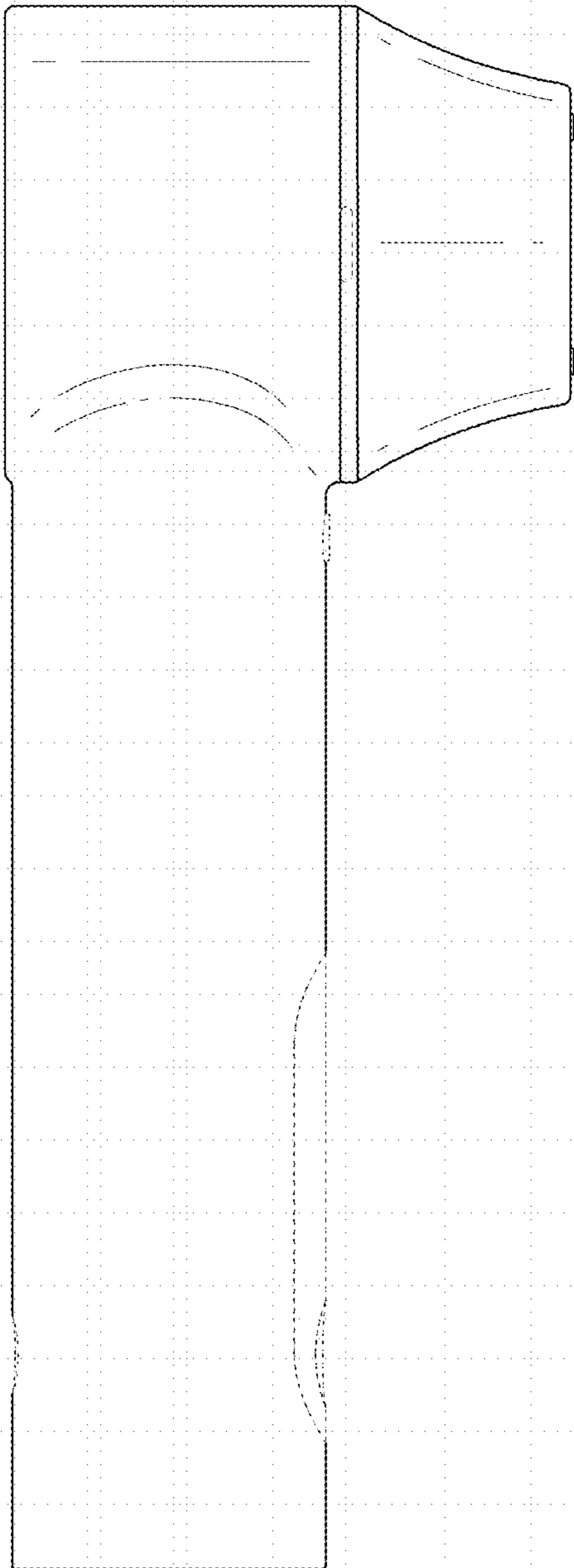


FIG. 6

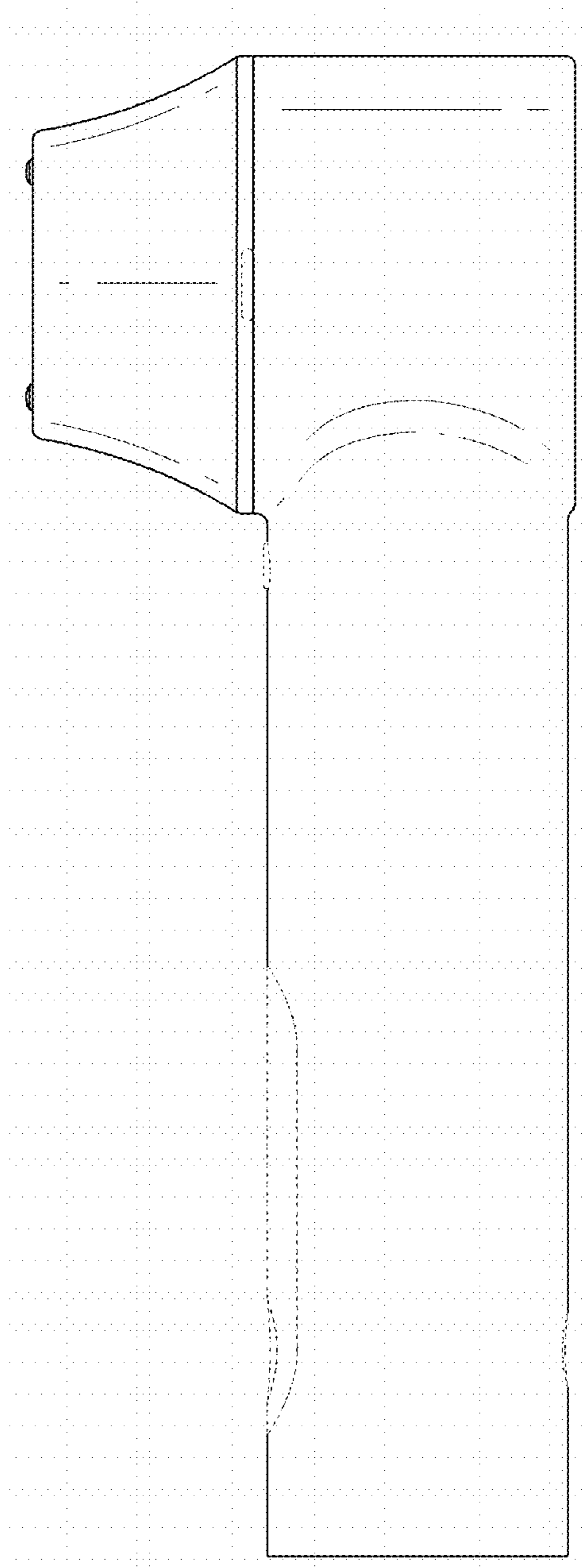


FIG. 7

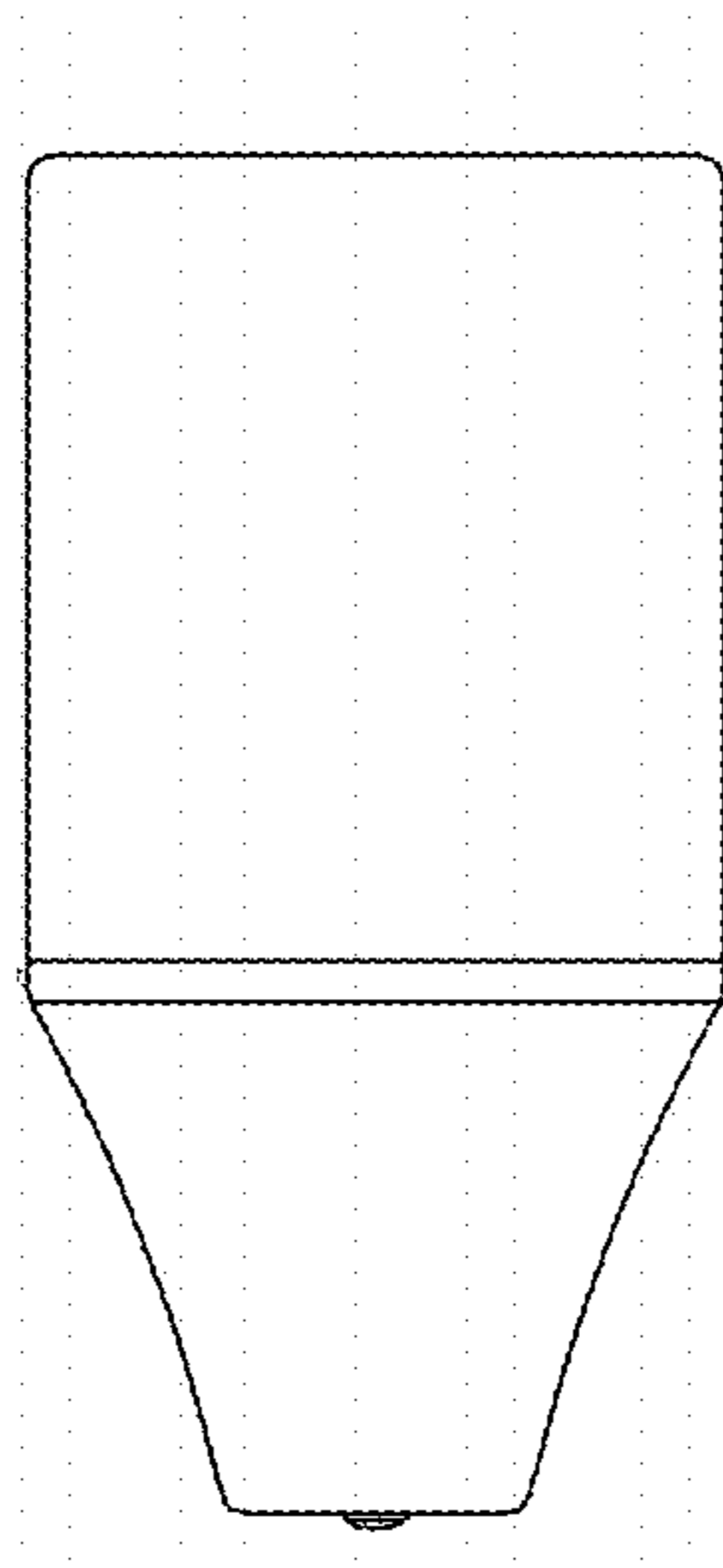


FIG. 8

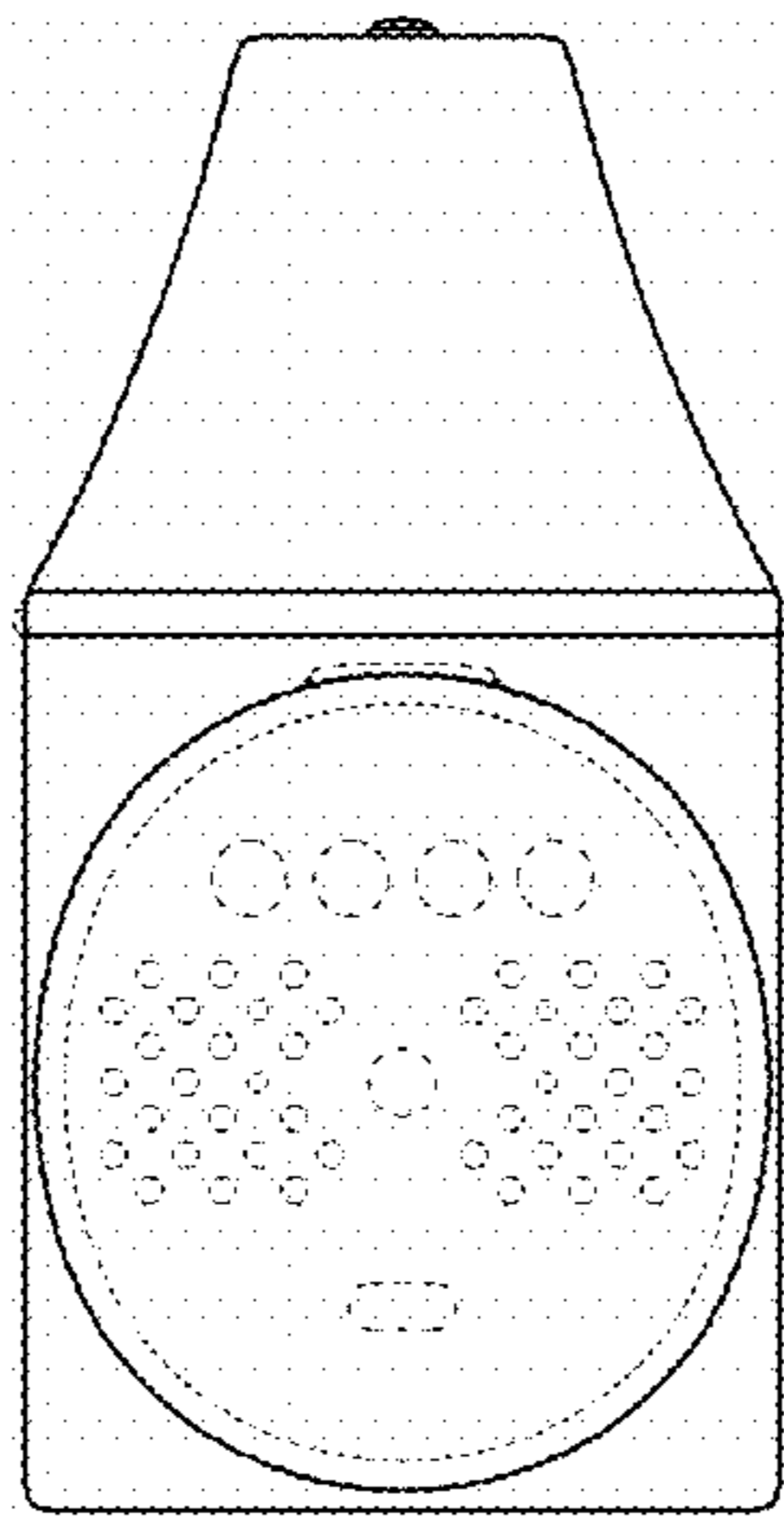


FIG. 9

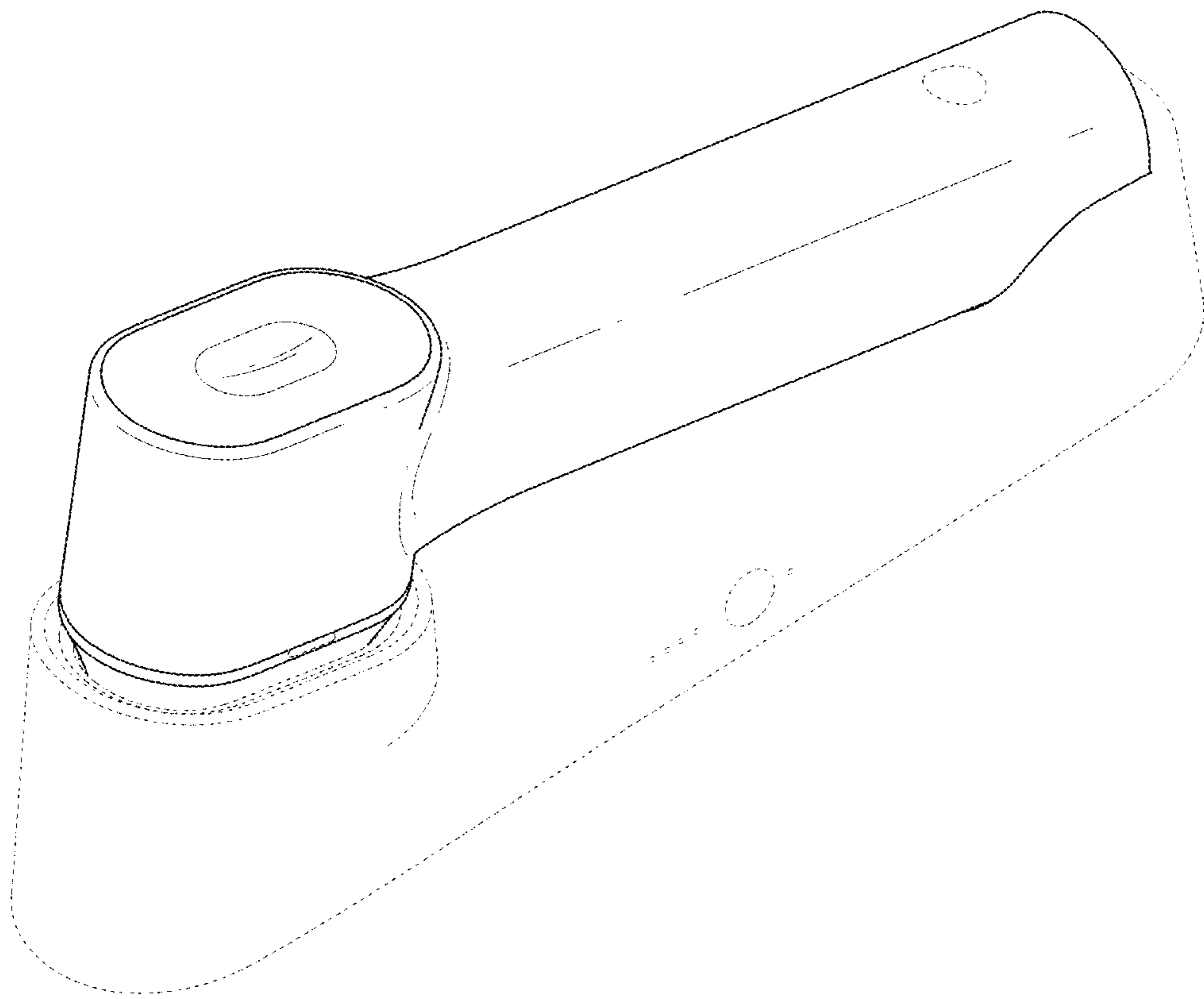


FIG. 10

