



US0D1016997S

(12) **United States Design Patent**
Yang

(10) **Patent No.:** **US D1,016,997 S**

(45) **Date of Patent:** **** Mar. 5, 2024**

(54) **BABY TOILET**

D825,683 S * 8/2018 Liu D21/533
D840,477 S * 2/2019 Flores D21/548
D868,172 S * 11/2019 Jin D21/548

(71) Applicant: **TJ(fujian) Industrial Co., Ltd.**,
Zhangzhou (CN)

FOREIGN PATENT DOCUMENTS

(72) Inventor: **Jianbo Yang**, Zhangzhou (CN)

EM 007438049-0004 * 1/2020
GB 6213707 * 6/2022

(73) Assignee: **TJ(fujian) Industrial Co., Ltd.**,
Zhangzhou (CN)

OTHER PUBLICATIONS

(**) Term: **15 Years**

The First Years Training Wheels Racer Potty Training Toilet—Race Car Training Potty. https://www.amazon.com/First-Years-Training-Wheels-System/dp/B01N2YH4Z0/ref=asc_df_B01N2YH4Z0/?tag=hyprod-20&linkCode=df0&hvadid=168263234593&hvpos=&hvnetw=g&hvrand=7740215499862531211&hvpone=&hvptwo=&hvqmt=&hvdev=c&hvdvcmdl=&hvlocint=&hvlocphy=9059726&hvtargid=pla-391486074166&th=1 (Year: 2019).*

(21) Appl. No.: **29/857,953**

(22) Filed: **Oct. 26, 2022**

(30) **Foreign Application Priority Data**

Apr. 26, 2022 (CN) 202230239902.6

* cited by examiner

(51) **LOC (14) Cl.** **23-07**

Primary Examiner — Robert A Delehanty

(52) **U.S. Cl.**
USPC **D23/297**

(74) *Attorney, Agent, or Firm* — Bayramoglu Law Offices LLC

(58) **Field of Classification Search**
USPC D23/296–297, 309, 311; D6/335, 350;
D21/433, 548–551
CPC A47K 13/02; A47K 13/06; A47K 13/04
See application file for complete search history.

(57) **CLAIM**

The ornamental design for a baby toilet, as shown and described.

DESCRIPTION

(56) **References Cited**

U.S. PATENT DOCUMENTS

D310,118 S * 8/1990 Lemon D23/297
D320,845 S * 10/1991 Lambdin D23/297
5,575,021 A * 11/1996 Harris A47K 11/06
4/479
D379,407 S * 5/1997 Liu D23/297
9,027,173 B2 * 5/2015 Dunn A47K 11/06
4/476

FIG. 1 is a perspective view of a baby toilet showing my new design;

FIG. 2 is a front view thereof;

FIG. 3 is a rear view thereof;

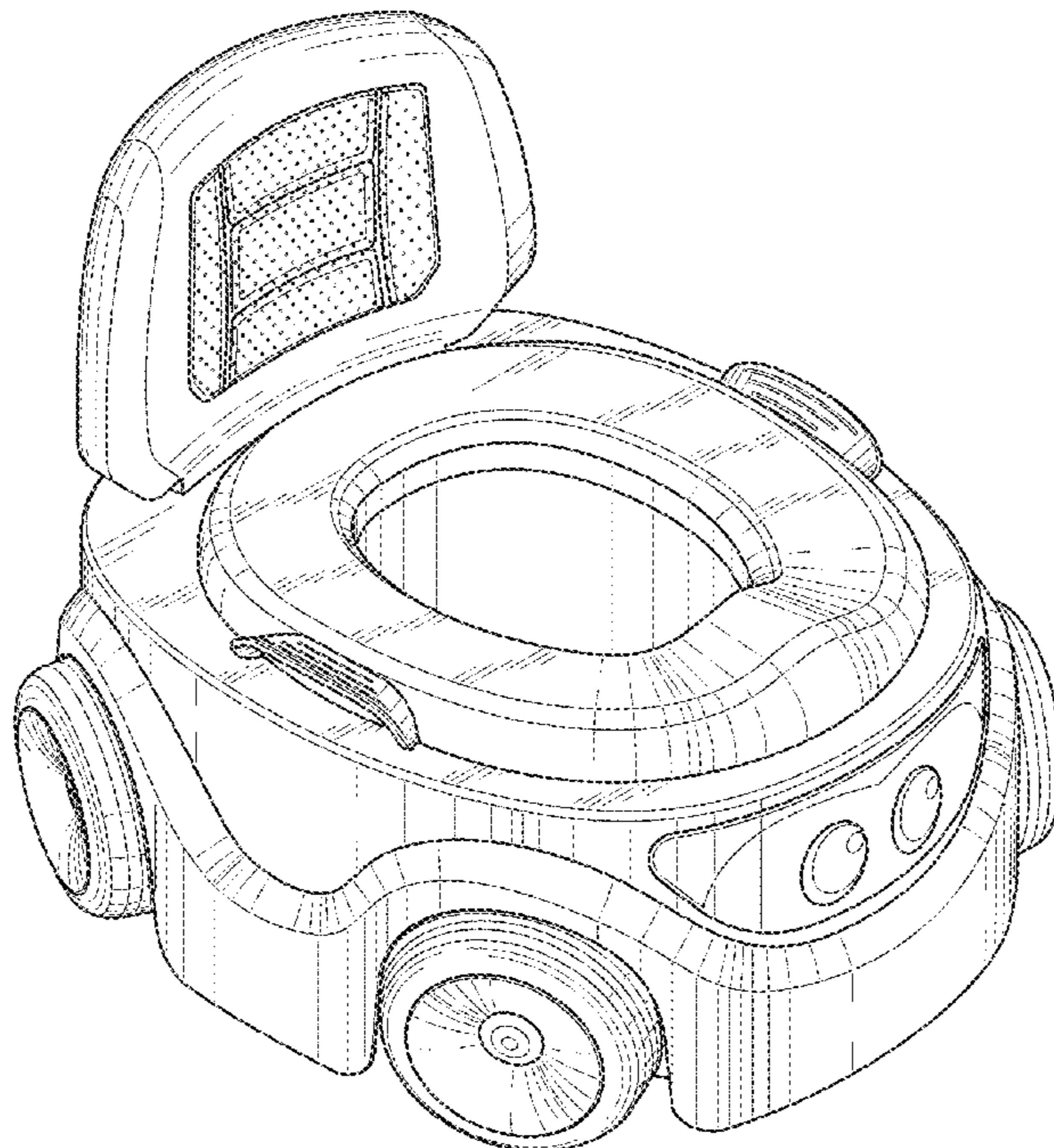
FIG. 4 is a left side view thereof;

FIG. 5 is a right side view thereof;

FIG. 6 is a top view thereof; and,

FIG. 7 is a bottom view thereof.

1 Claim, 7 Drawing Sheets



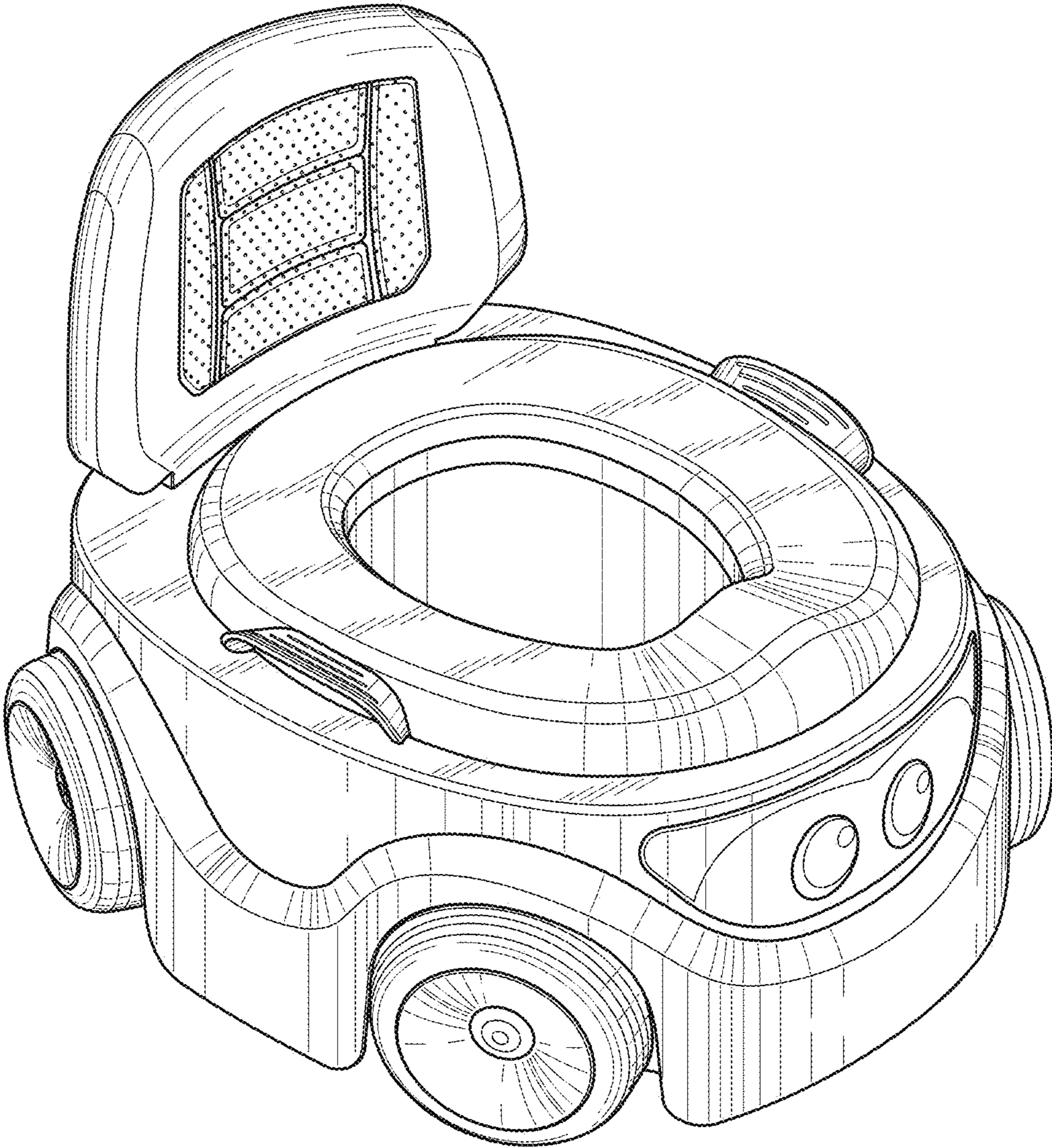


Fig. 1

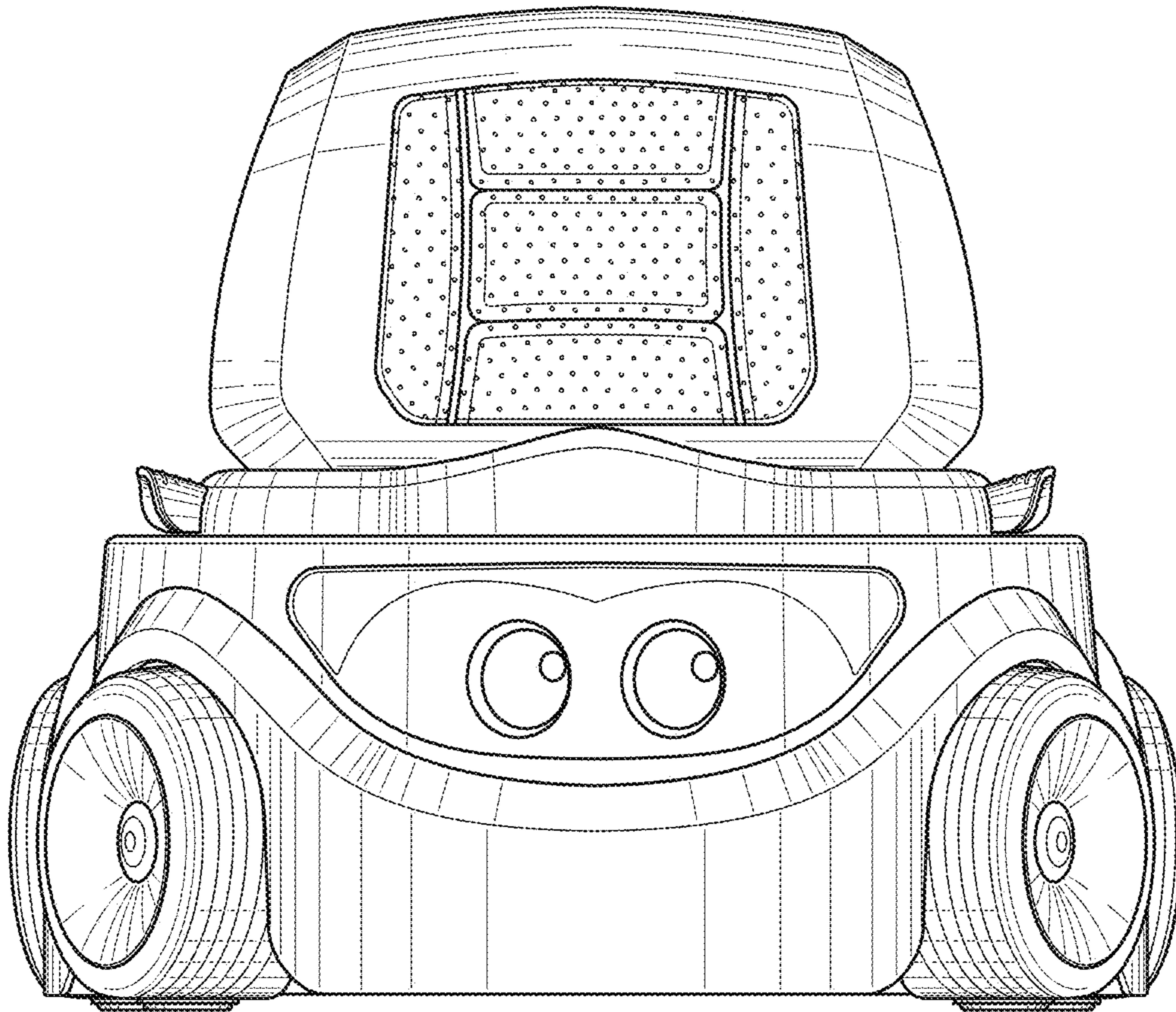


Fig. 2

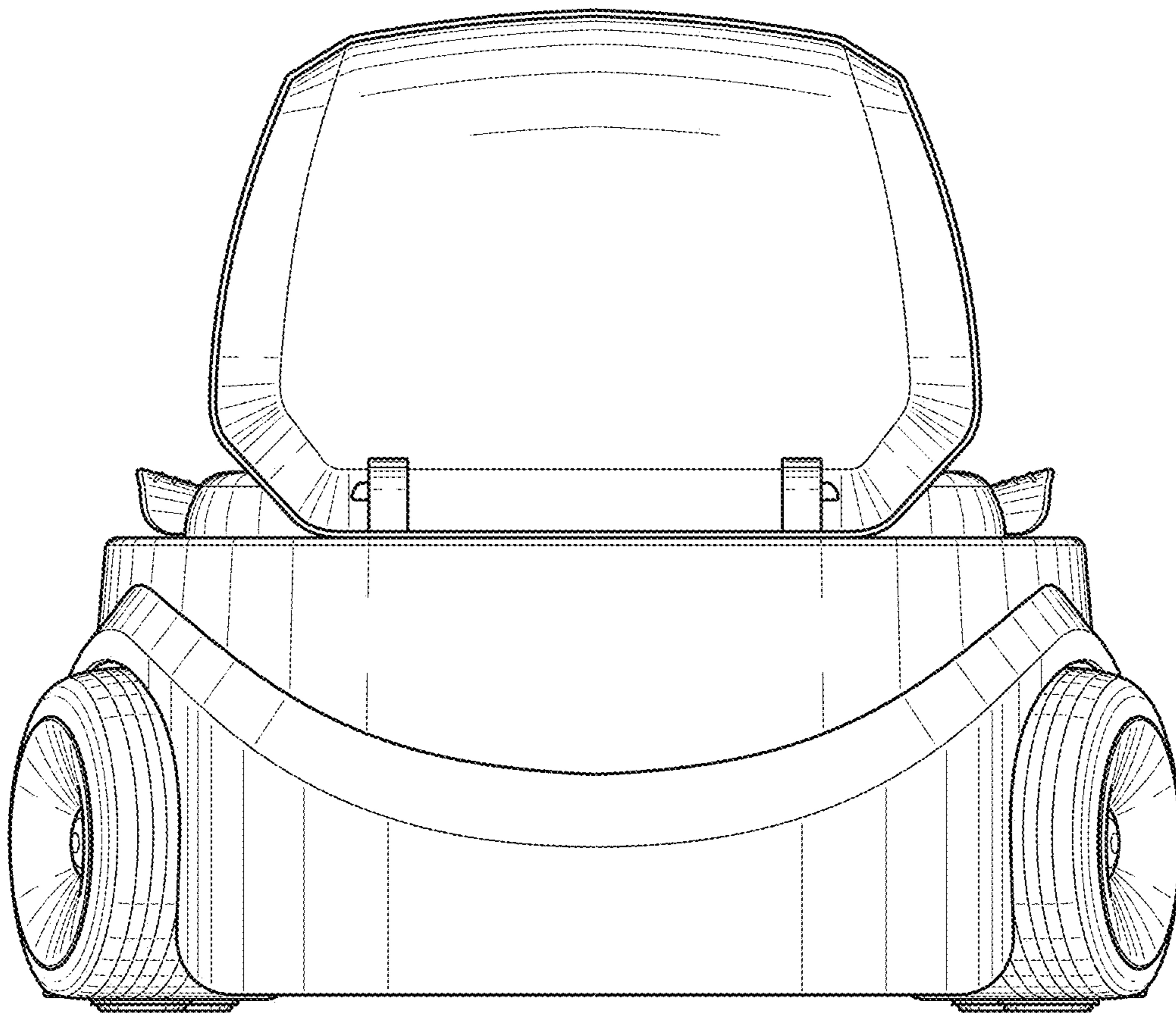


Fig. 3

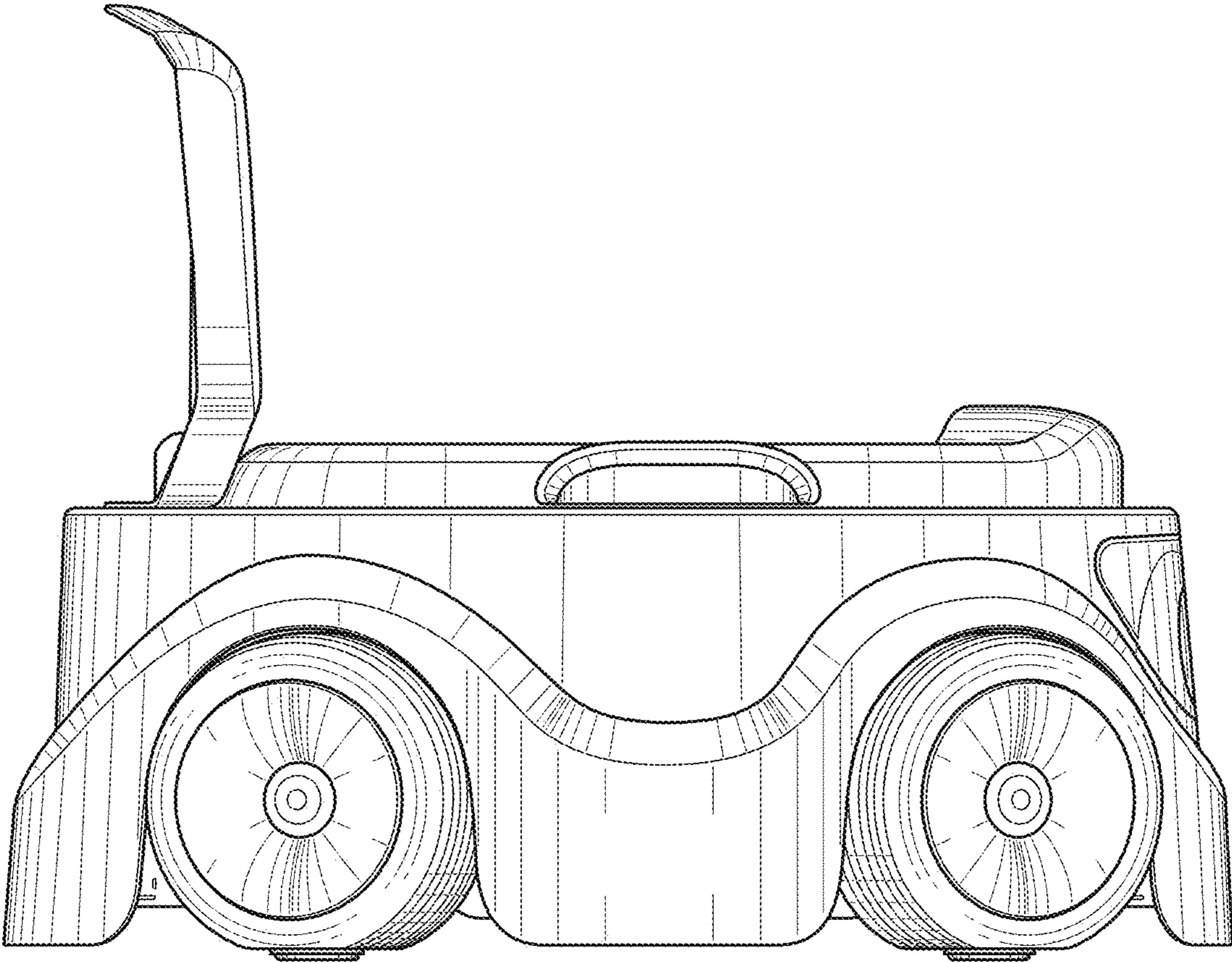


Fig. 4

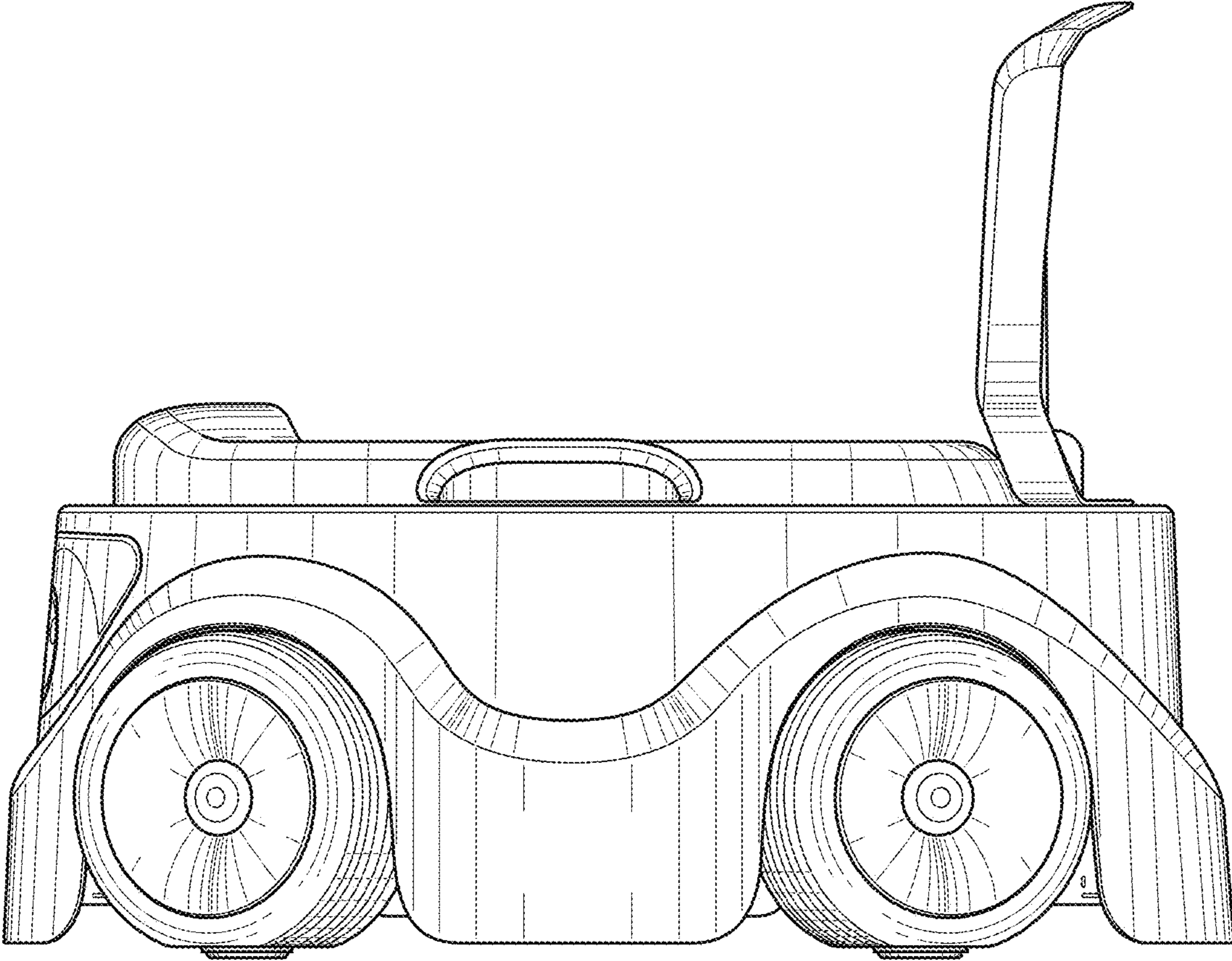


Fig. 5

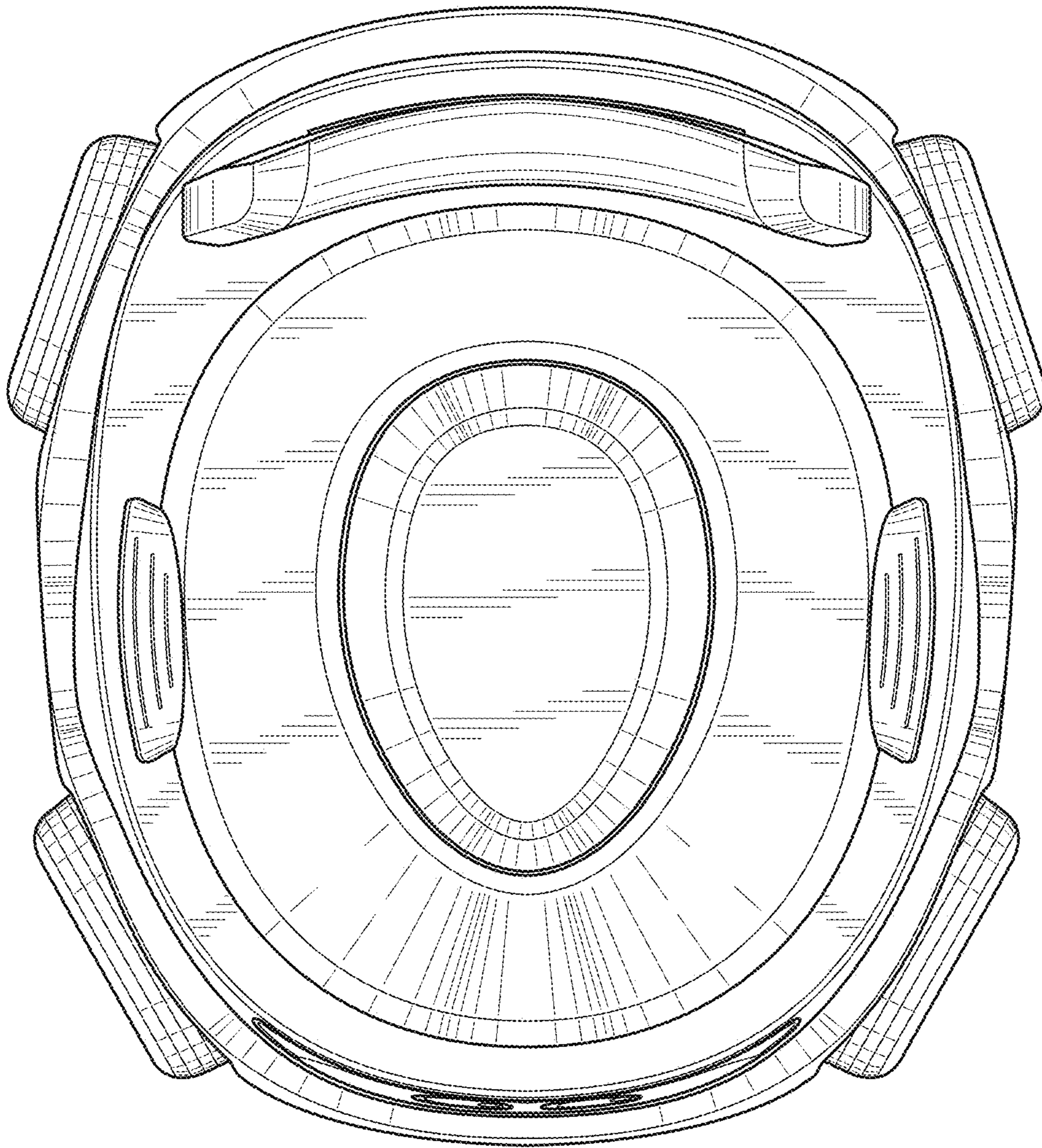


Fig. 6

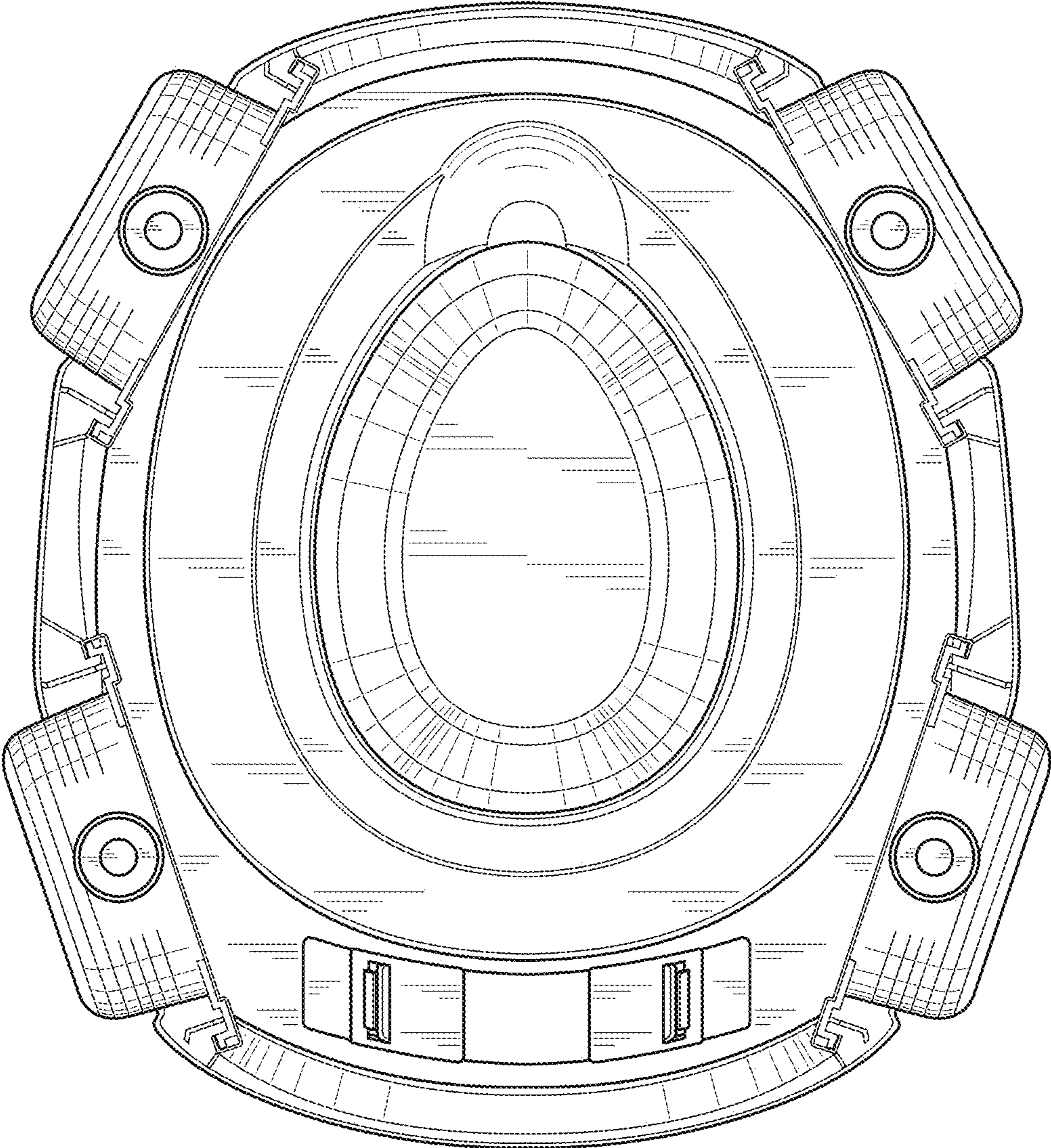


Fig. 7