



US0D1016995S

(12) **United States Design Patent** (10) **Patent No.:** **US D1,016,995 S**
L'Henaff et al. (45) **Date of Patent:** **** Mar. 5, 2024**

- (54) **SPALET**
- (71) Applicant: **AS America, Inc.**, Piscataway, NJ (US)
- (72) Inventors: **Jean-Jacques L'Henaff**, New Canaan, CT (US); **Ki Bok Song**, Plainview, NY (US); **Jacob Nitz**, London (GB); **Soonjae Kwon**, Astoria, NY (US); **Paul Flowers**, London (GB); **Greg Reinecker**, Brooklyn, NY (US)
- (73) Assignee: **AS America, Inc.**, Piscataway, NJ (US)
- (**) Term: **15 Years**
- (21) Appl. No.: **29/799,649**
- (22) Filed: **Jul. 15, 2021**
- (51) **LOC (14) Cl.** **23-07**
- (52) **U.S. Cl.**
USPC **D23/295**
- (58) **Field of Classification Search**
USPC D23/278-279, 295-303, 309, 311, 499
CPC A47K 13/06; A47K 13/10; A47K 11/024;
A47K 11/06; A47K 11/023
See application file for complete search history.

(56) **References Cited**

U.S. PATENT DOCUMENTS

D600,333 S	*	9/2009	Liu	D23/295
D639,401 S	*	6/2011	Starck	D23/295
D642,247 S	*	7/2011	Jiang	D23/295
D766,405 S	*	9/2016	Flowers	D23/300
D796,017 S	*	8/2017	Yoshioka	D23/295
D844,118 S	*	3/2019	Jeong	D23/295
D862,666 S	*	10/2019	Song	D23/295
D891,591 S	*	7/2020	Van Leeuwen	D23/299
D951,408 S	*	5/2022	Sun	D23/311

D978,299 S	*	2/2023	Mellberg	D23/295
2017/0340174 A1	*	11/2017	Stevenson	A47K 13/02
2019/0352891 A1	*	11/2019	Takemoto	B32B 27/42

FOREIGN PATENT DOCUMENTS

CN 305298258 * 8/2019

OTHER PUBLICATIONS

American Standard 2548A100.020 Studio S Toilet, announced Sep. 14, 2020[online], [site visited Feb. 7, 2023]. Available from internet, URL:<<https://www.amazon.com/American-Standard-2548A100-020-Elongated-Low-Profile/dp/B08J1BK4MS?th=1>> (Year: 2020).*

* cited by examiner

Primary Examiner — David G Muller
Assistant Examiner — Jamaal Rasheed

(74) *Attorney, Agent, or Firm* — Tyler A. Stevenson;
Anna-lisa L. Gallo

(57) **CLAIM**

We claim the ornamental design for a spalet, as shown and described.

DESCRIPTION

FIG. 1 is a top, front, right side, perspective view of a spalet showing our new design;

FIG. 2 is a front view thereof;

FIG. 3 is a rear view thereof;

FIG. 4 is a left side view thereof;

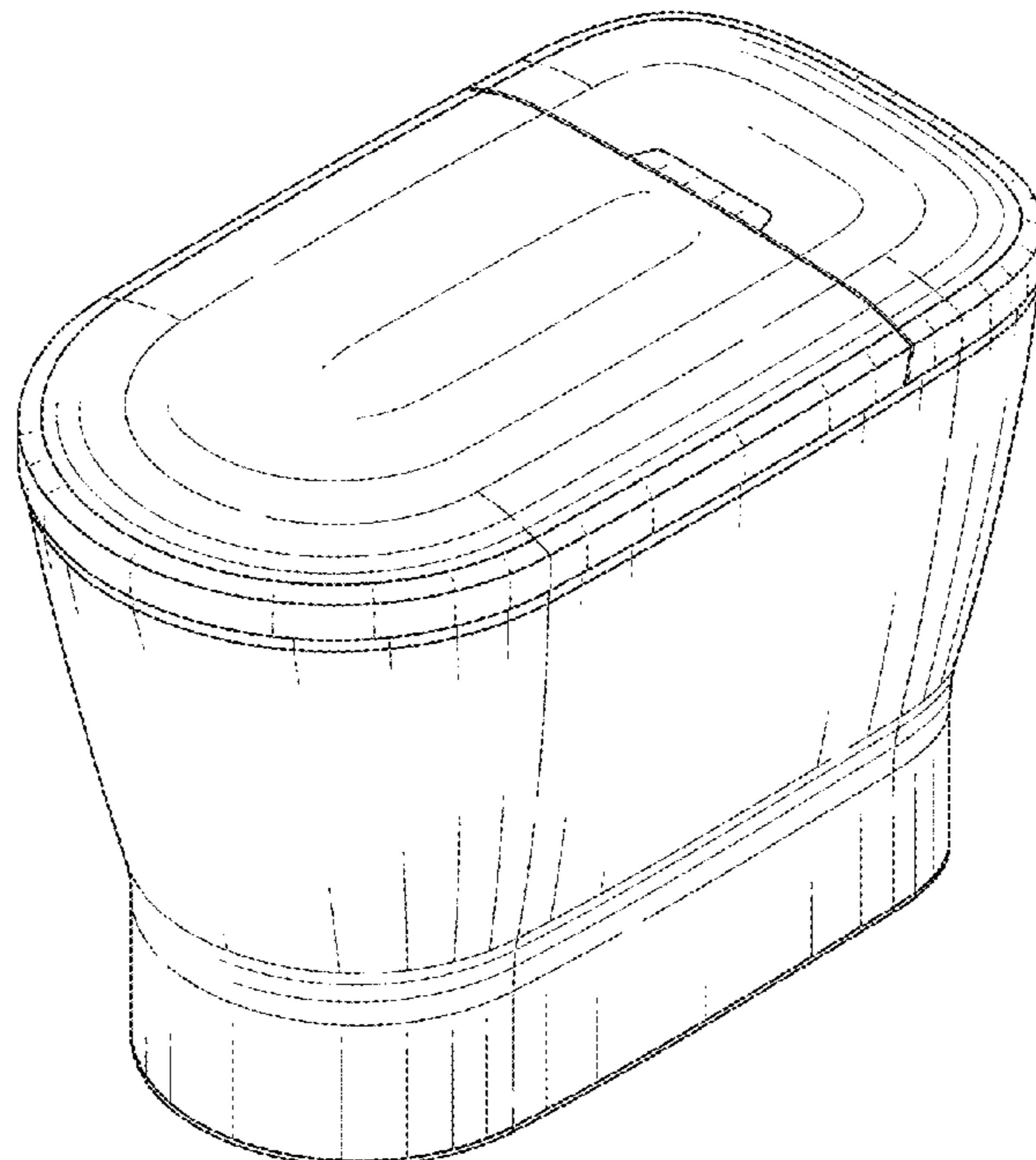
FIG. 5 is a right side view thereof;

FIG. 6 is a top view thereof; and,

FIG. 7 is a bottom view thereof.

Broken lines of the disclosure represent portions of the spalet that form no part of the claimed design.

1 Claim, 4 Drawing Sheets



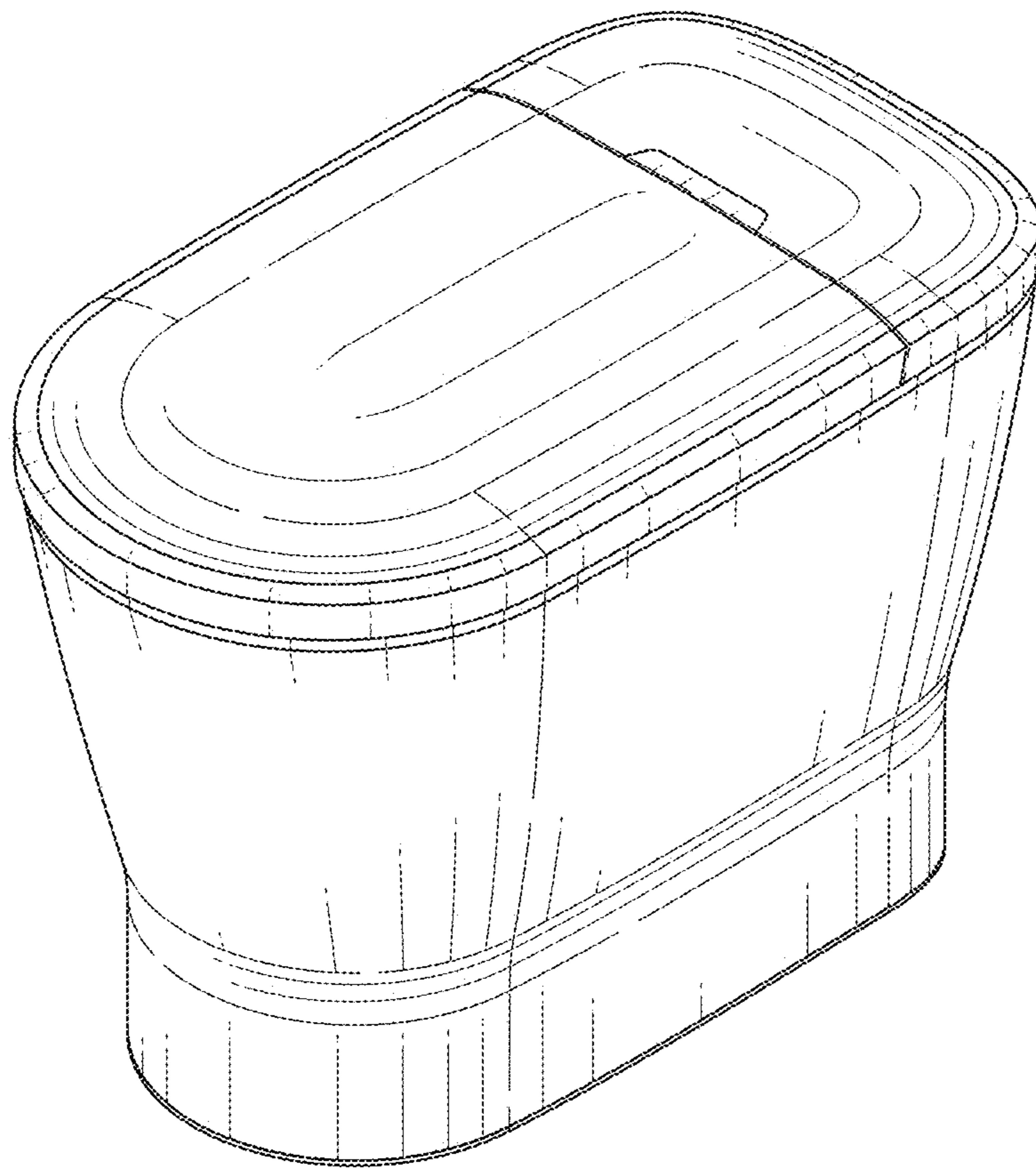


FIG. 1

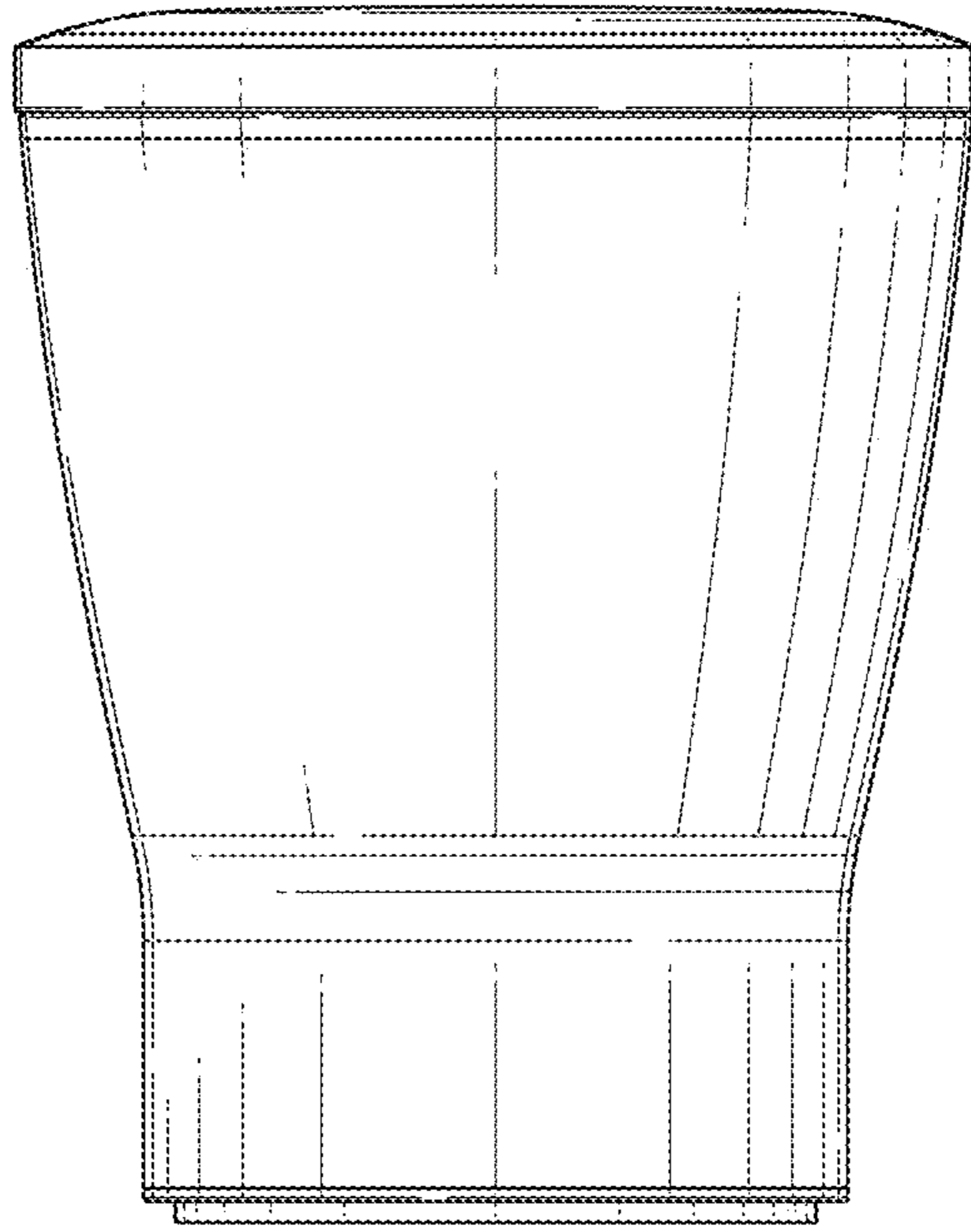


FIG. 2

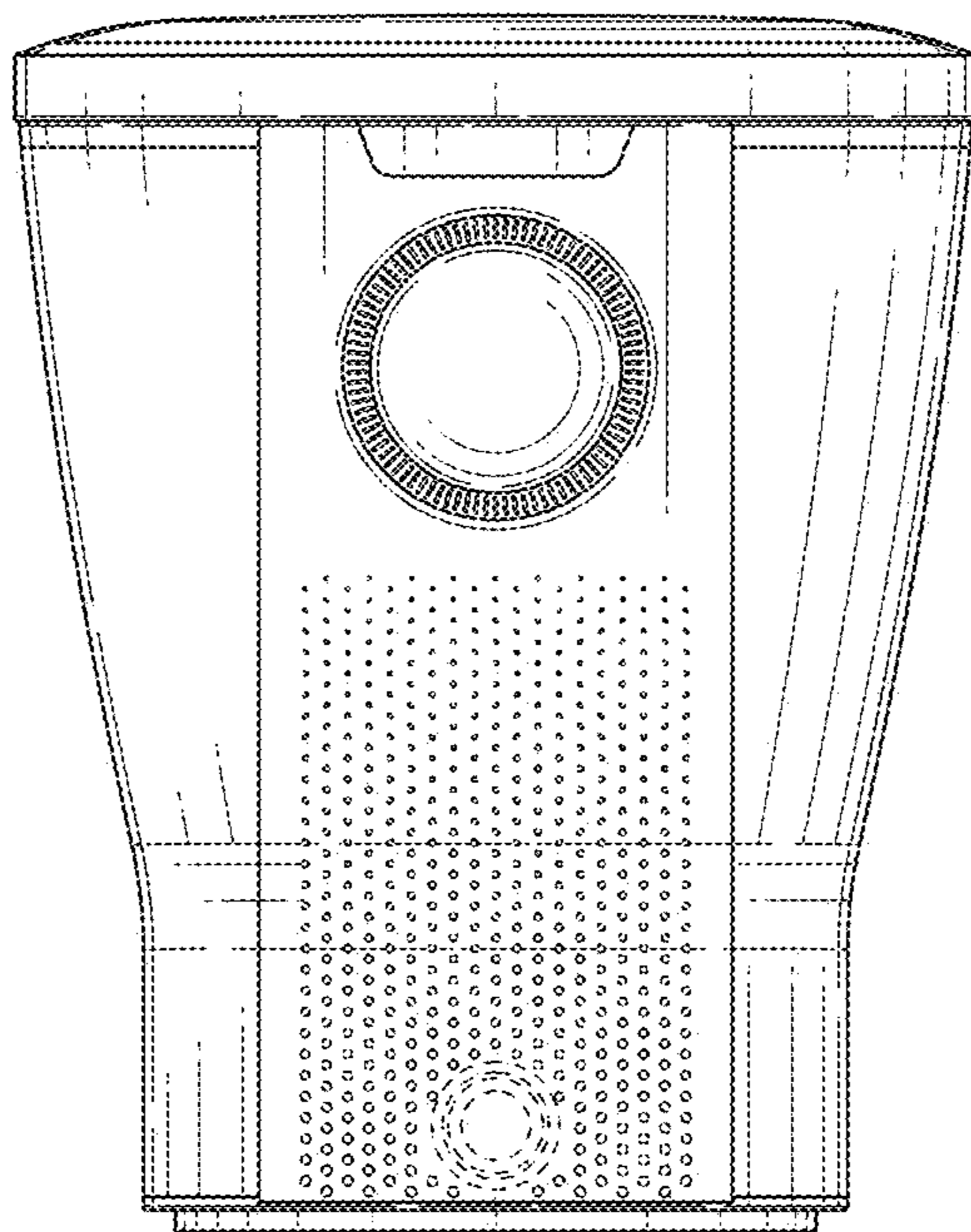


FIG. 3

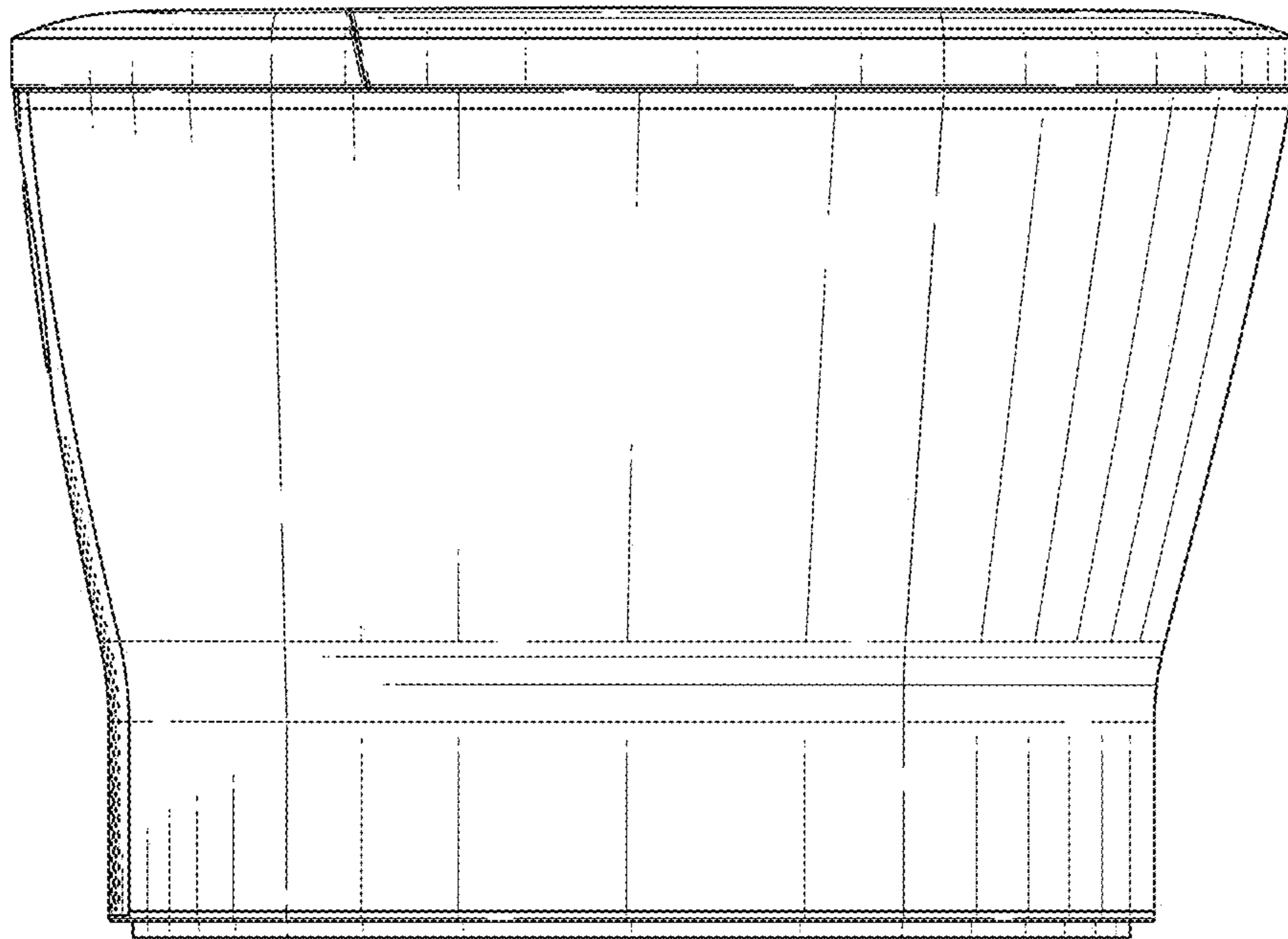


FIG. 4

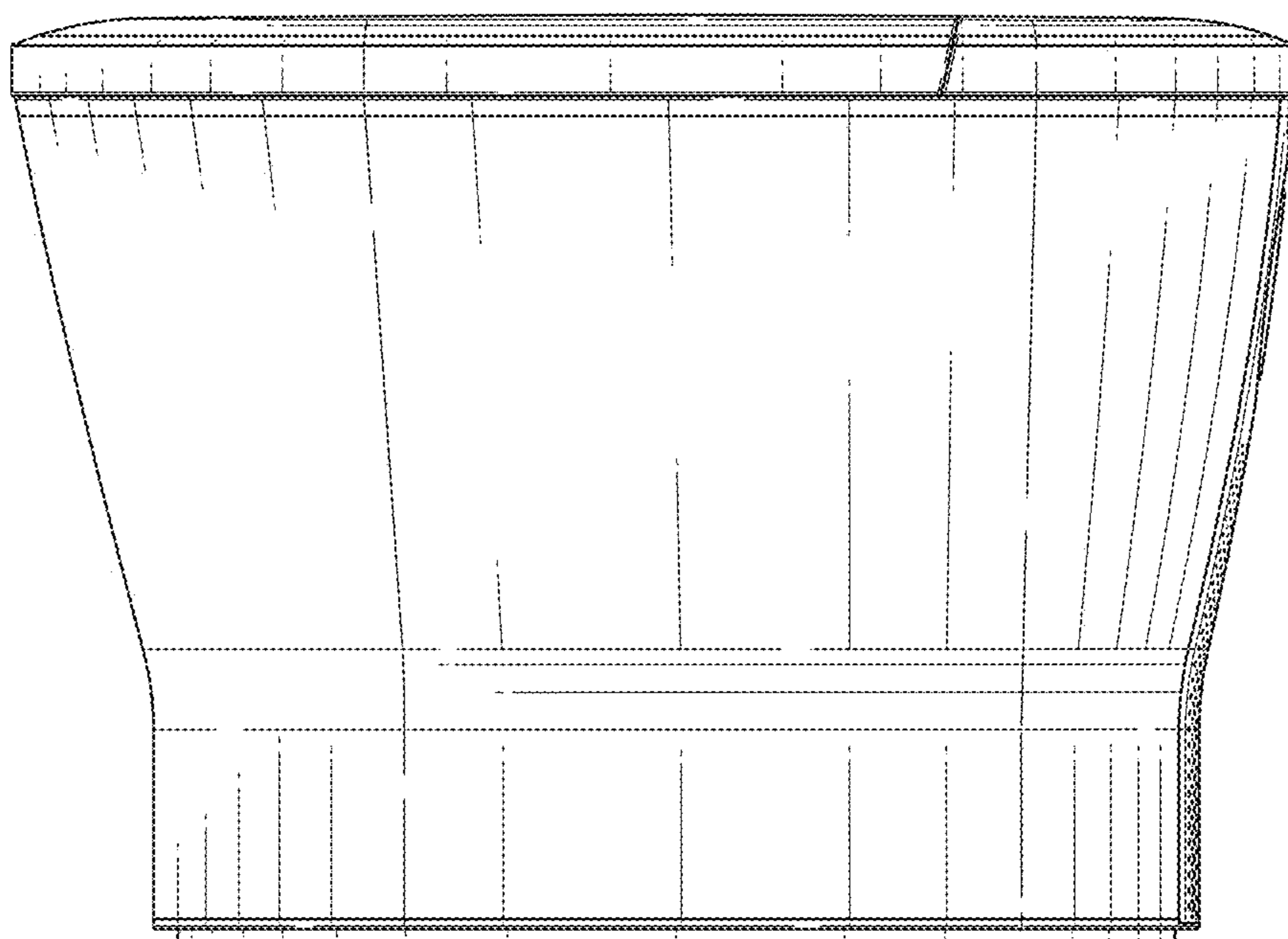


FIG. 5

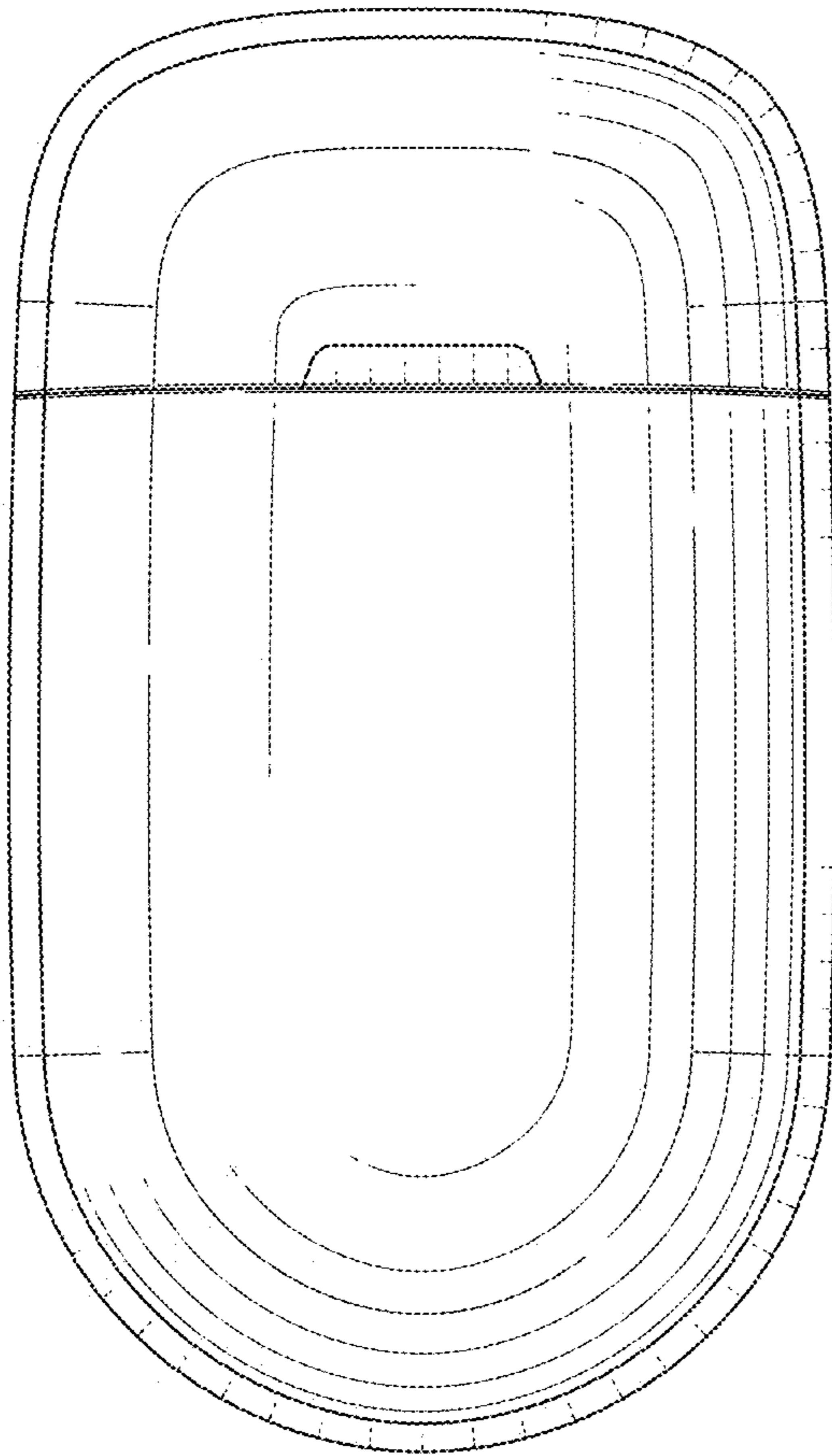


FIG. 6

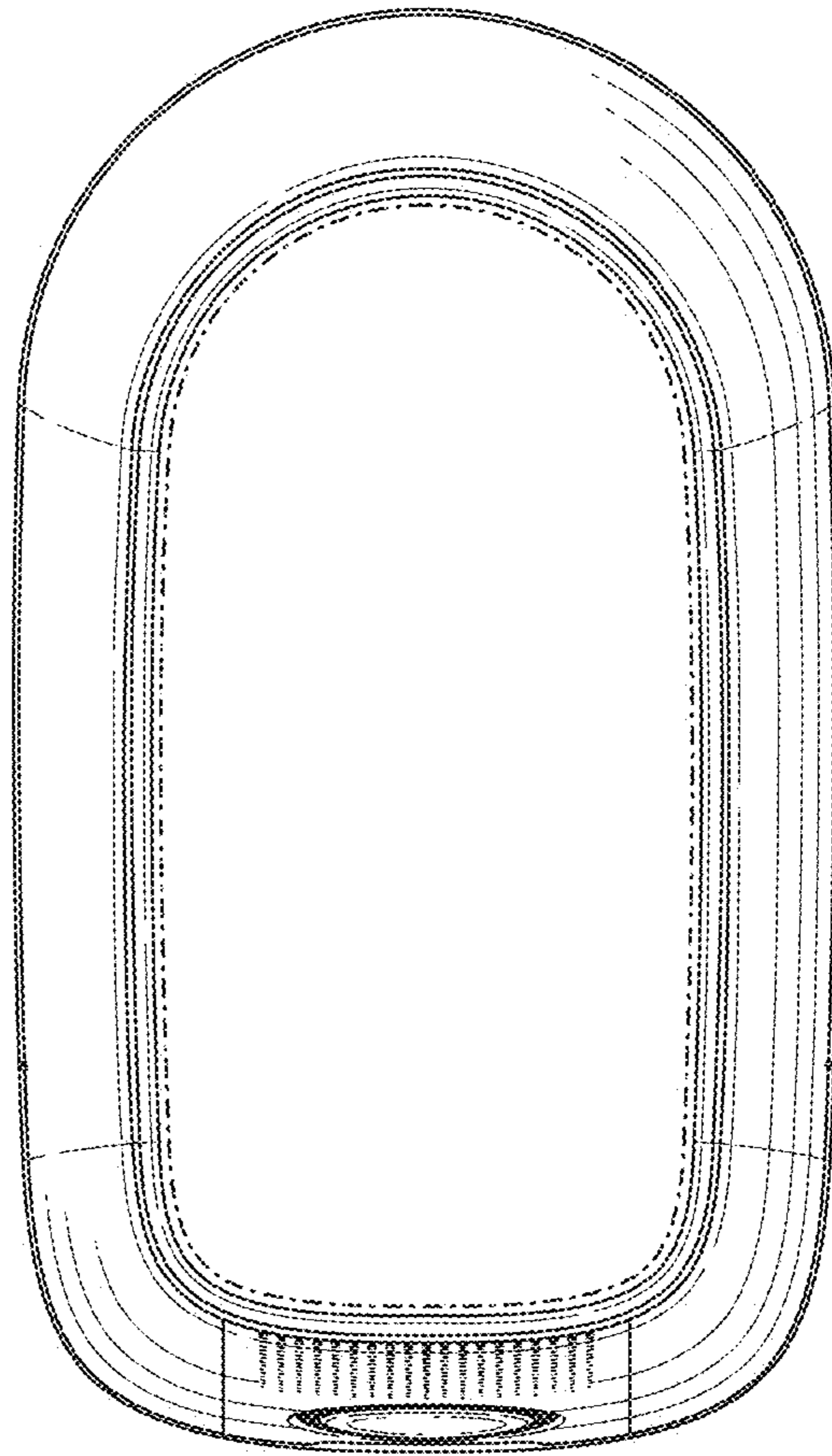


FIG. 7