



US0D1016992S

(12) **United States Design Patent** (10) **Patent No.:** **US D1,016,992 S**  
**Healy** (45) **Date of Patent:** **\*\* Mar. 5, 2024**

(54) **RECLINED BATHER**

FOREIGN PATENT DOCUMENTS

(71) Applicant: **Skip Hop, Inc.**, New York, NY (US)

CN 3058105 \* 5/1997  
JP D1184070 \* 9/2003

(72) Inventor: **John Healy**, Brooklyn, NY (US)

OTHER PUBLICATIONS

(73) Assignee: **Skip Hop, Inc.**, New York, NY (US)

Skip Hop Baby Bath Tub, announced Oct. 12, 2020[online], [site visited Jul. 17, 2023]. Available from internet, URL:<<https://www.amazon.ca/dp/B08GVP6DQV>> (Year: 2020).\*

(\*\*) Term: **15 Years**

(Continued)

(21) Appl. No.: **29/754,365**

(22) Filed: **Oct. 9, 2020**

*Primary Examiner* — David G Muller

(51) **LOC (14) Cl.** ..... **23-06**

*Assistant Examiner* — Jamaal Rasheed

(52) **U.S. Cl.**

(74) *Attorney, Agent, or Firm* — Greenberg Traurig, LLP

USPC ..... **D23/278**; D6/333

(58) **Field of Classification Search**

(57) **CLAIM**

USPC ... D23/277–279, 280.1, 280.2, 280.3, 280.4,  
D23/304–307; D6/333

I claim the ornamental design for a reclined bather, as shown and described.

CPC ..... A47K 3/02; A47K 3/022; A47K 3/006

See application file for complete search history.

(56) **References Cited**

**DESCRIPTION**

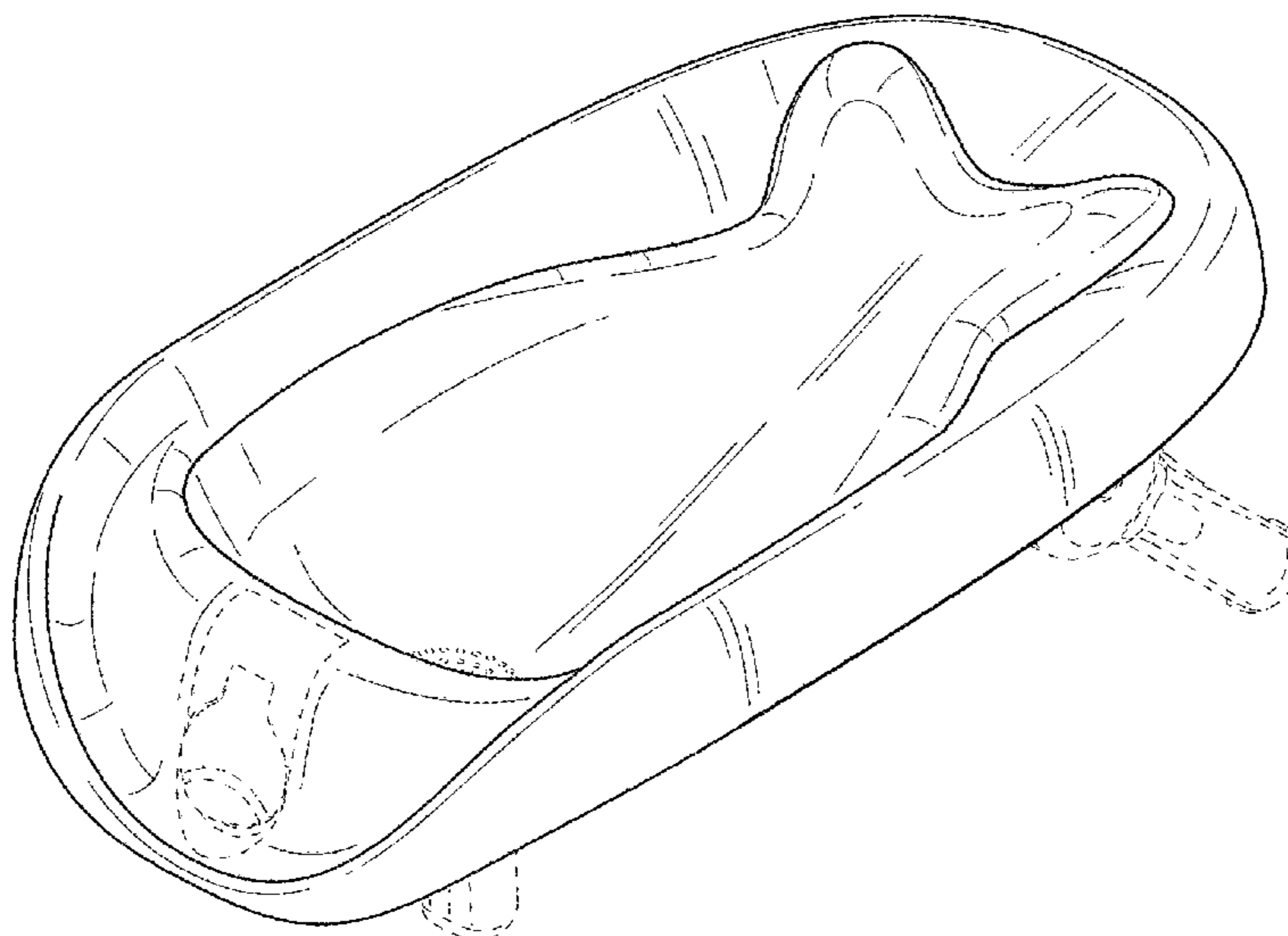
U.S. PATENT DOCUMENTS

D288,955 S \* 3/1987 Greene ..... D23/278  
D289,319 S \* 4/1987 Kujawski ..... D23/278  
D350,597 S \* 9/1994 Wise ..... D23/278  
D350,598 S \* 9/1994 Wise ..... D23/278  
6,018,826 A \* 2/2000 Yang ..... A47K 3/064  
4/575.1  
D422,345 S \* 4/2000 Dixon ..... D23/278  
D430,737 S \* 9/2000 Nowak ..... D6/333  
6,112,343 A \* 9/2000 Dixon ..... A47K 3/024  
4/586  
D498,827 S \* 11/2004 Shibata ..... D23/278  
D611,259 S \* 3/2010 Yeung ..... D6/333  
D656,226 S \* 3/2012 Erli ..... D23/278  
D670,088 S \* 11/2012 Wozniak ..... D6/333  
D674,614 S \* 1/2013 Morand ..... D6/333  
D688,474 S \* 8/2013 Tu ..... D6/333  
D757,234 S \* 5/2016 Pereira ..... D23/278  
D786,570 S \* 5/2017 Denton ..... A47K 3/064  
D6/333

FIG. 1 is a top front perspective view of a reclined bather showing my new design  
FIG. 2 is a top rear perspective view thereof;  
FIG. 3 is a bottom rear perspective view thereof;  
FIG. 4 is a front view thereof;  
FIG. 5 is a rear view thereof;  
FIG. 6 is a side view thereof, in a first configuration;  
FIG. 7 is an adjacent side view thereof, in the first configuration thereof;  
FIG. 8 is a top view thereof;  
FIG. 9 is a bottom view thereof;  
FIG. 10 is a side view thereof, in a second configuration; and,  
FIG. 11 is a side view thereof, in a third configuration.  
The broken lines in the drawing disclosure depict portions of the reclined bather that form no part of the claimed design.

(Continued)

**1 Claim, 7 Drawing Sheets**



(56)

**References Cited**

U.S. PATENT DOCUMENTS

D790,236 S *	6/2017	Desnos	.....	D6/333
D795,401 S *	8/2017	Marsden	.....	D23/278
D882,048 S *	4/2020	Carter	.....	D6/333
D888,904 S *	6/2020	Tu	.....	D23/277
D888,905 S *	6/2020	Tu	.....	D23/277
D891,590 S *	7/2020	Raju	.....	D23/277
D902,361 S *	11/2020	Wu	.....	D23/278
D911,496 S *	2/2021	Kim	.....	D23/278
D925,012 S *	7/2021	Stroikov	.....	D23/278
D925,015 S *	7/2021	Stroikov	.....	D6/333
D935,578 S *	11/2021	Biesinger	.....	A47K 3/127 D23/278
D969,278 S *	11/2022	Golec	.....	D23/277
D991,418 S *	7/2023	Chen	.....	D23/278

OTHER PUBLICATIONS

Baby Delight Cushy Comfort—Pink, Baby Delight, 11 pgs.  
 Summer Infant Deluxe Baby Bather—Pink Dots, Summer Infant,  
 13 pgs.

Summer Infant Deluxe Baby Bather—Dash Dots, Summer Infant,  
 13 pgs.  
 Baby Delight Cushy Comfort, Baby Delight, 11 pgs.  
 Summer Infant Deluxe Baby Bather—Circle Daisys, Summer Infant,  
 13 pgs.  
 Clean Infant Bather, Munchkin, 4 pgs.  
 Baby Delight Cushy Comfort—Blue, Baby Delight, 11 pgs.  
 Clean Rinse Baby Bather, Summer Infant, 9 pgs.  
 Bath Tub Support—Grey, AngelCare, 12 pgs.  
 Bath Tub Support—Blue, AngelCare, 12 pgs.  
 Deluxe Baby Bather with Warming Wings—Green, Summer Infant,  
 3 pgs.  
 Bath Tub Support—Pink, AngelCare, 4 pgs.  
 Baby Bath Positioner, AngelCare, 11 pgs.  
 Infant Bath Tub Seat—Blue, Primo, 4 pgs.  
 Clean Rinse Baby Bather in Aqua, Summer Infant, 9 pgs.  
 Baby Bath Support—Grey, AngelCare, 2 pgs.  
 Deluxe Baby Bather, Summer Infant, 13 pgs.  
 Baby Bath Booster, AngelCare, 11 pgs.  
 Deluxe Baby Bather—Bubble Waves, Summer Infant, 14 pgs.  
 Cushy Nest Cloud Baby Bather, Baby Delight, 11 pgs.  
 Deluxe Baby Bather—Pink, Summer Infant, 13 pgs.  
 Cushy Nest Cloud Baby Bather—Pink, Baby Delight, 11 pgs.  
 Deluxe Baby Bather—blue, Summer Infant, 2 pgs.

\* cited by examiner

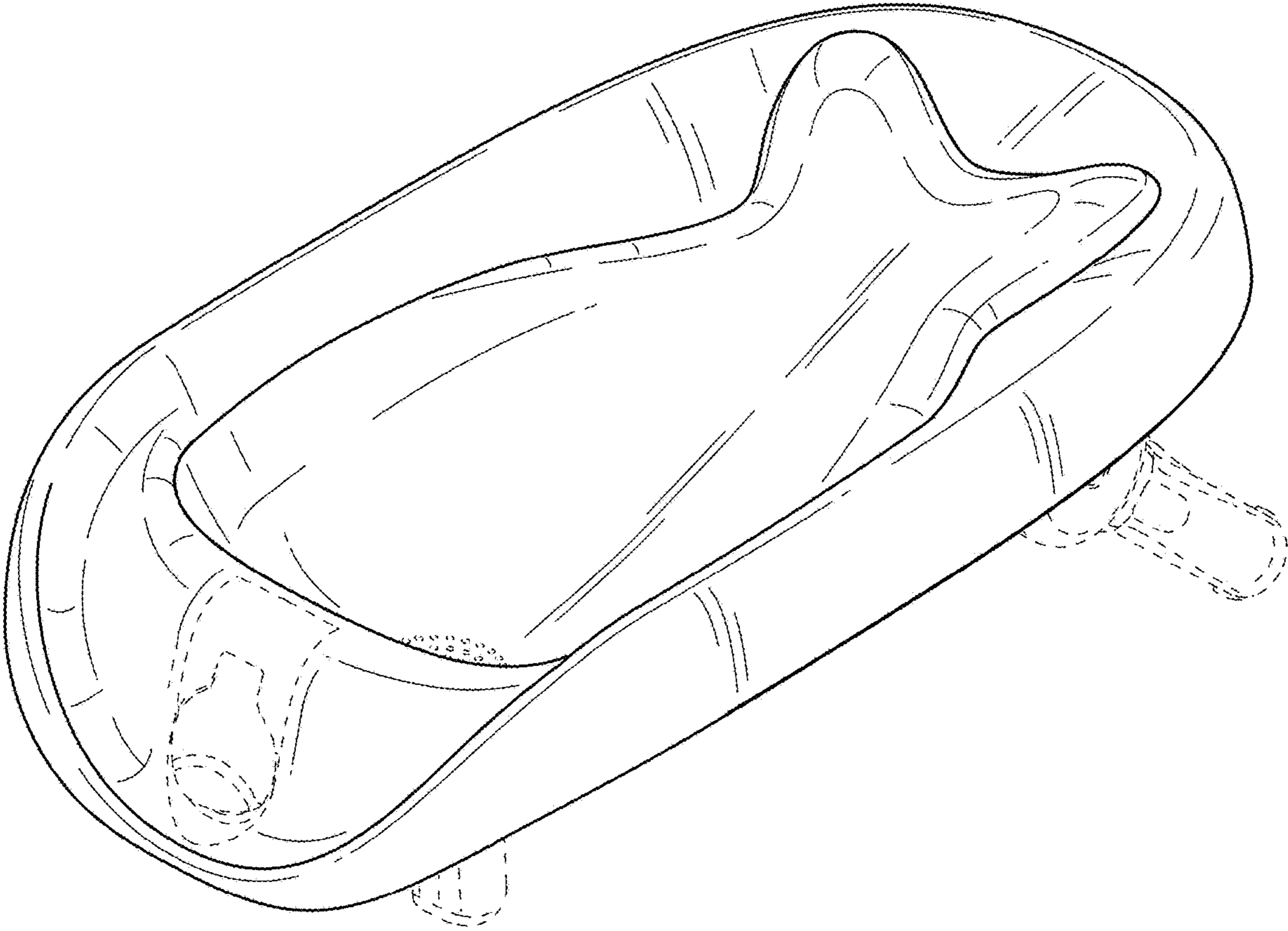


FIG. 1

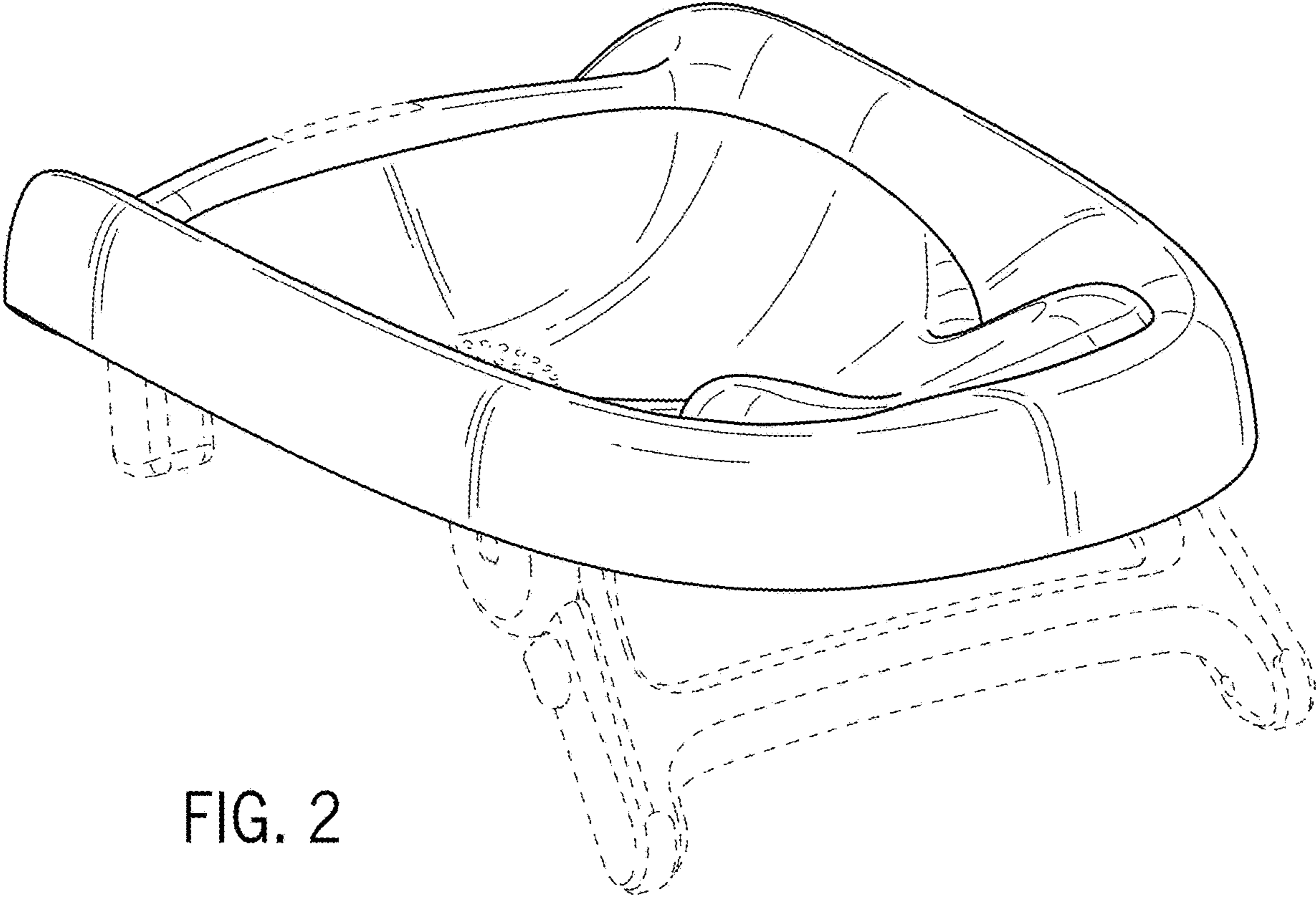


FIG. 2

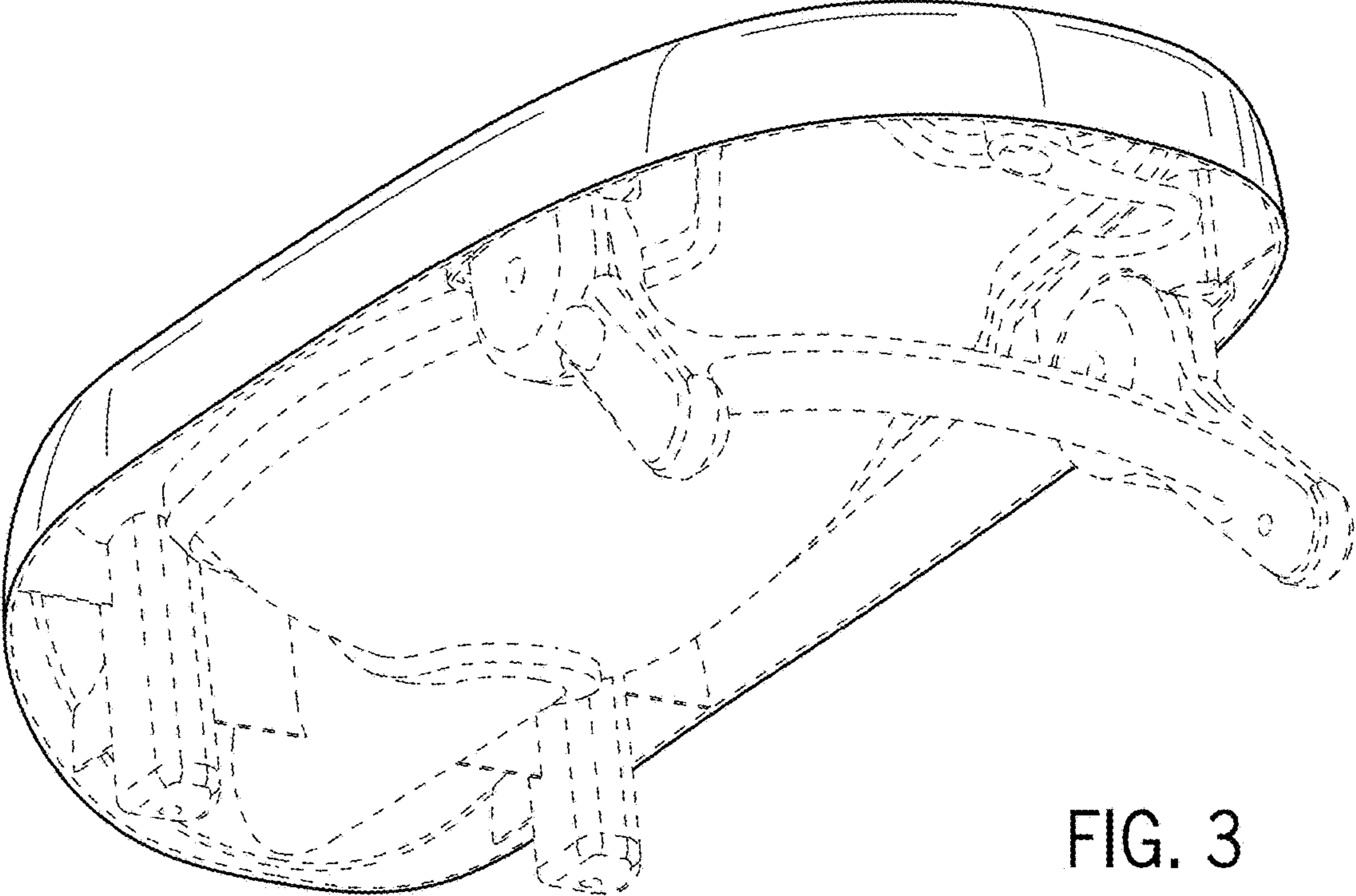


FIG. 3

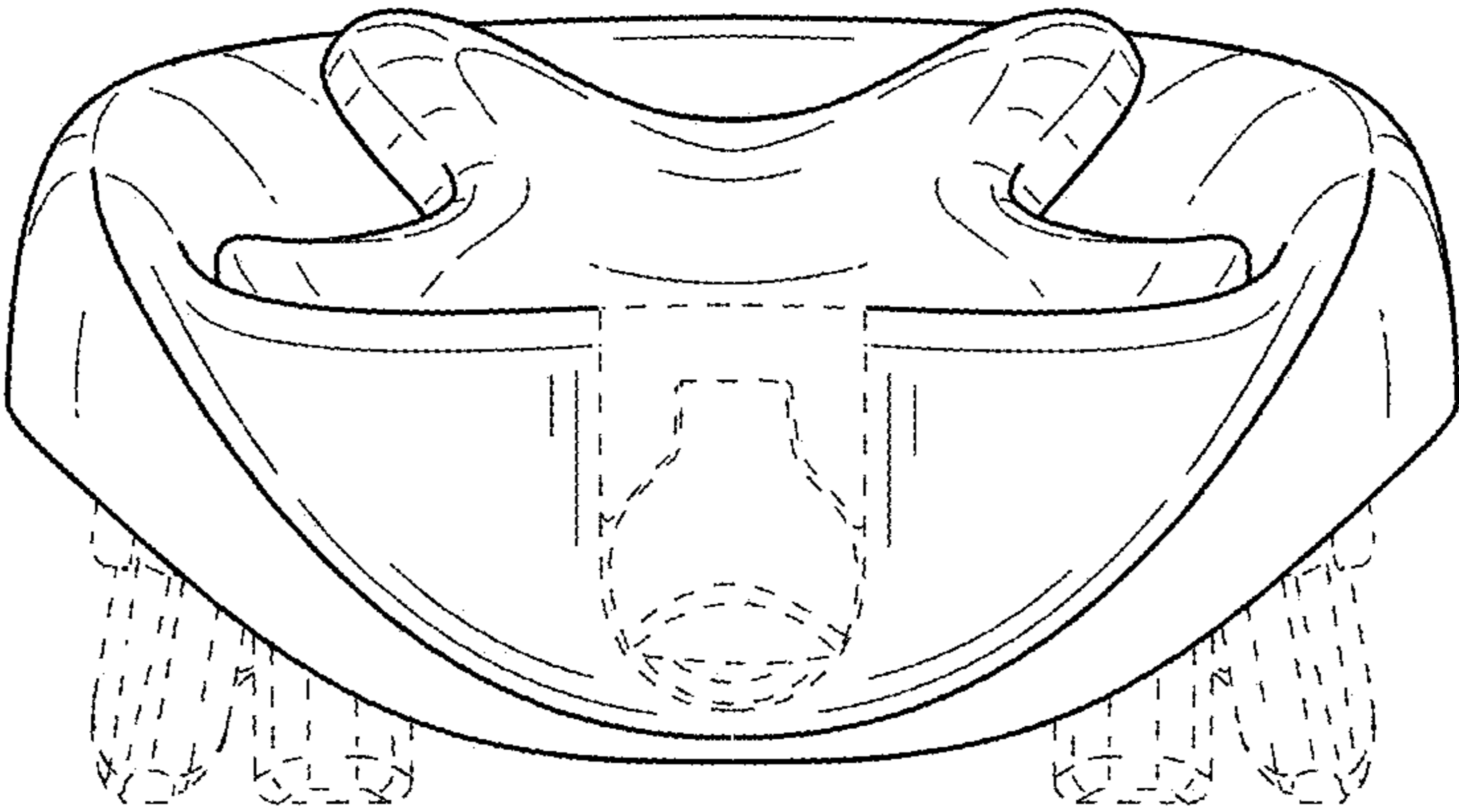


FIG. 4

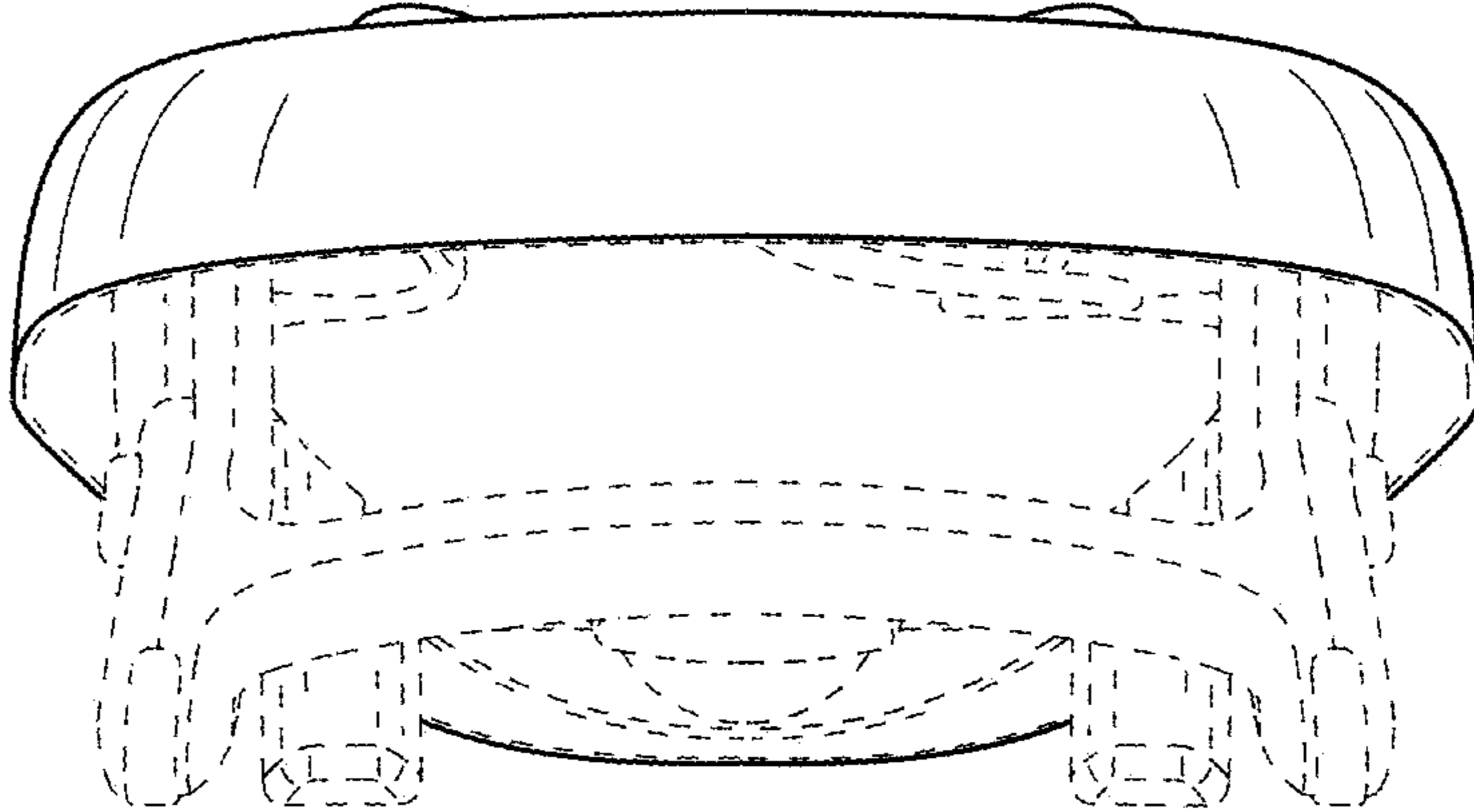


FIG. 5

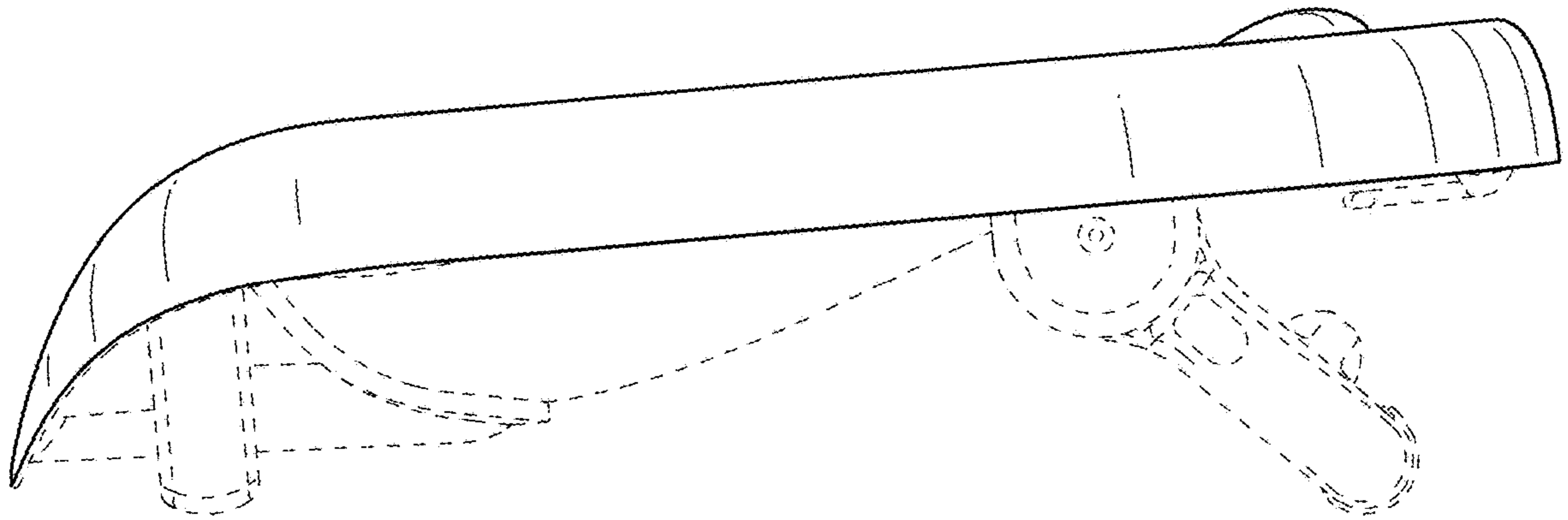


FIG. 6

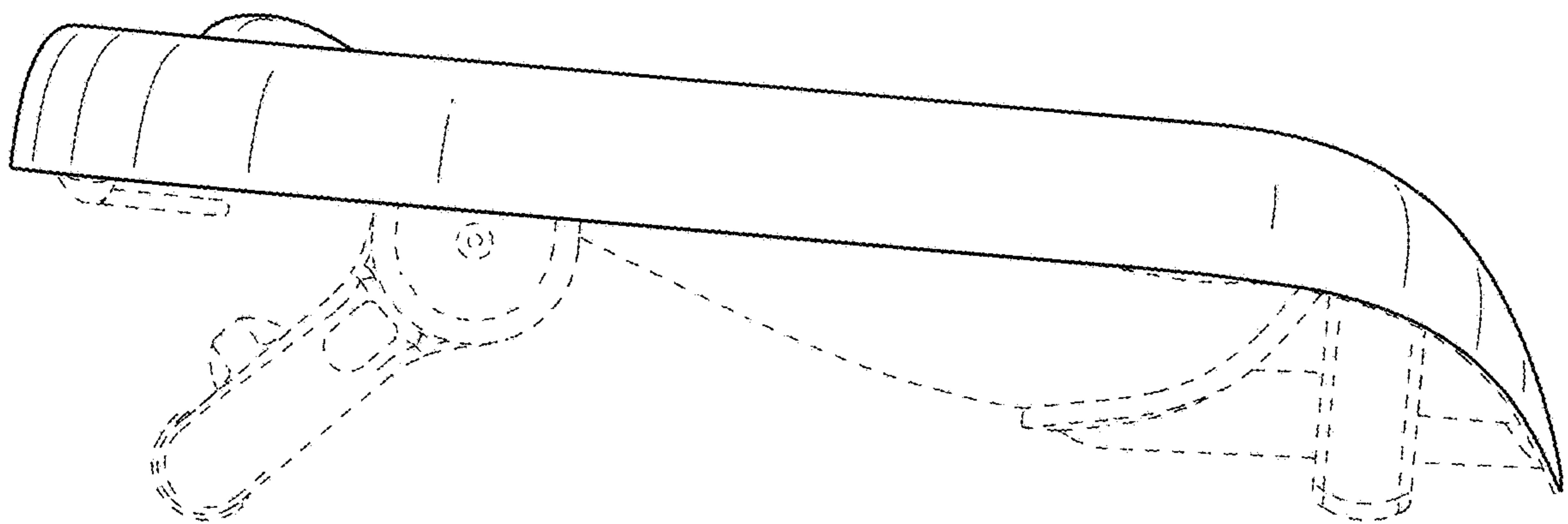


FIG. 7

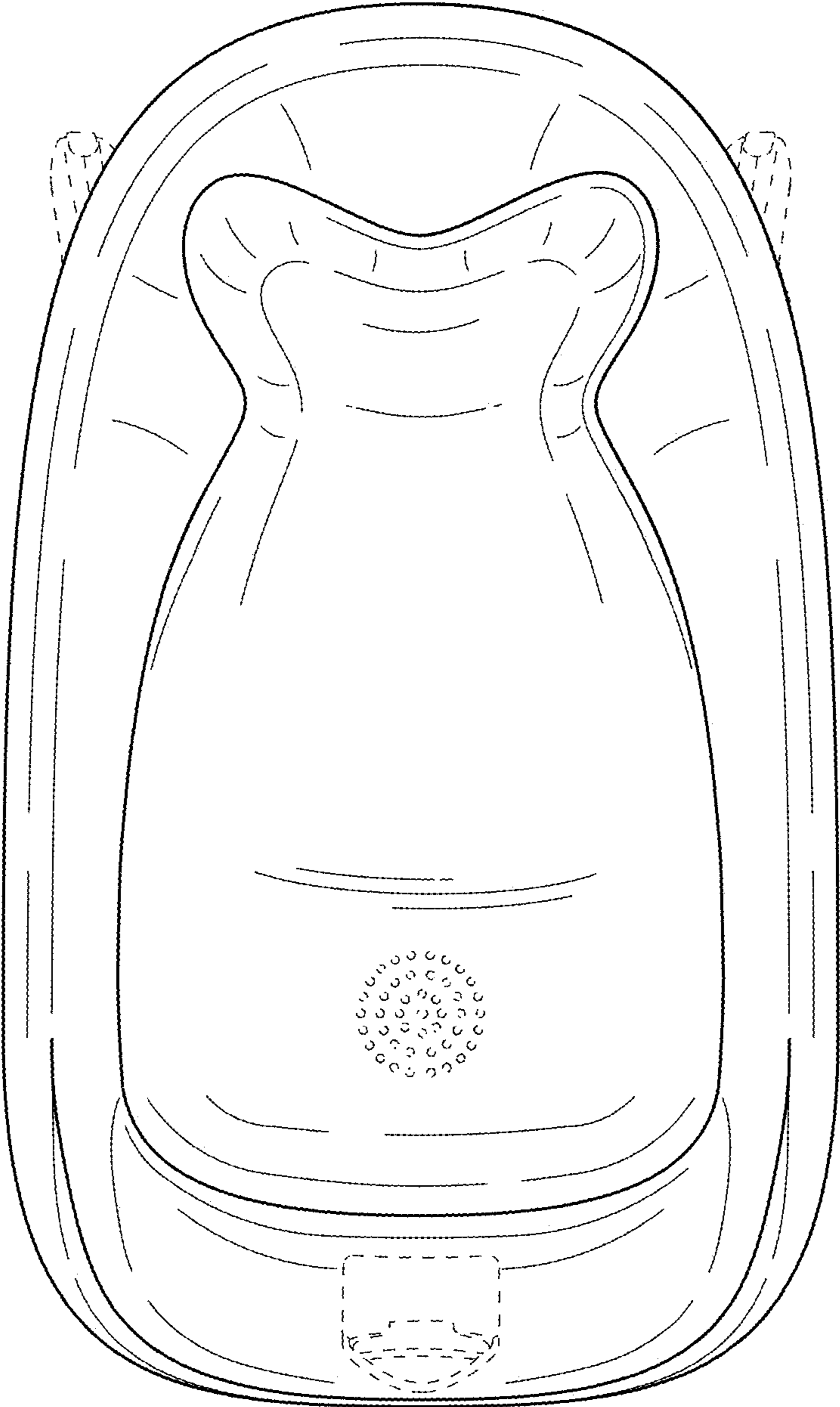


FIG. 8

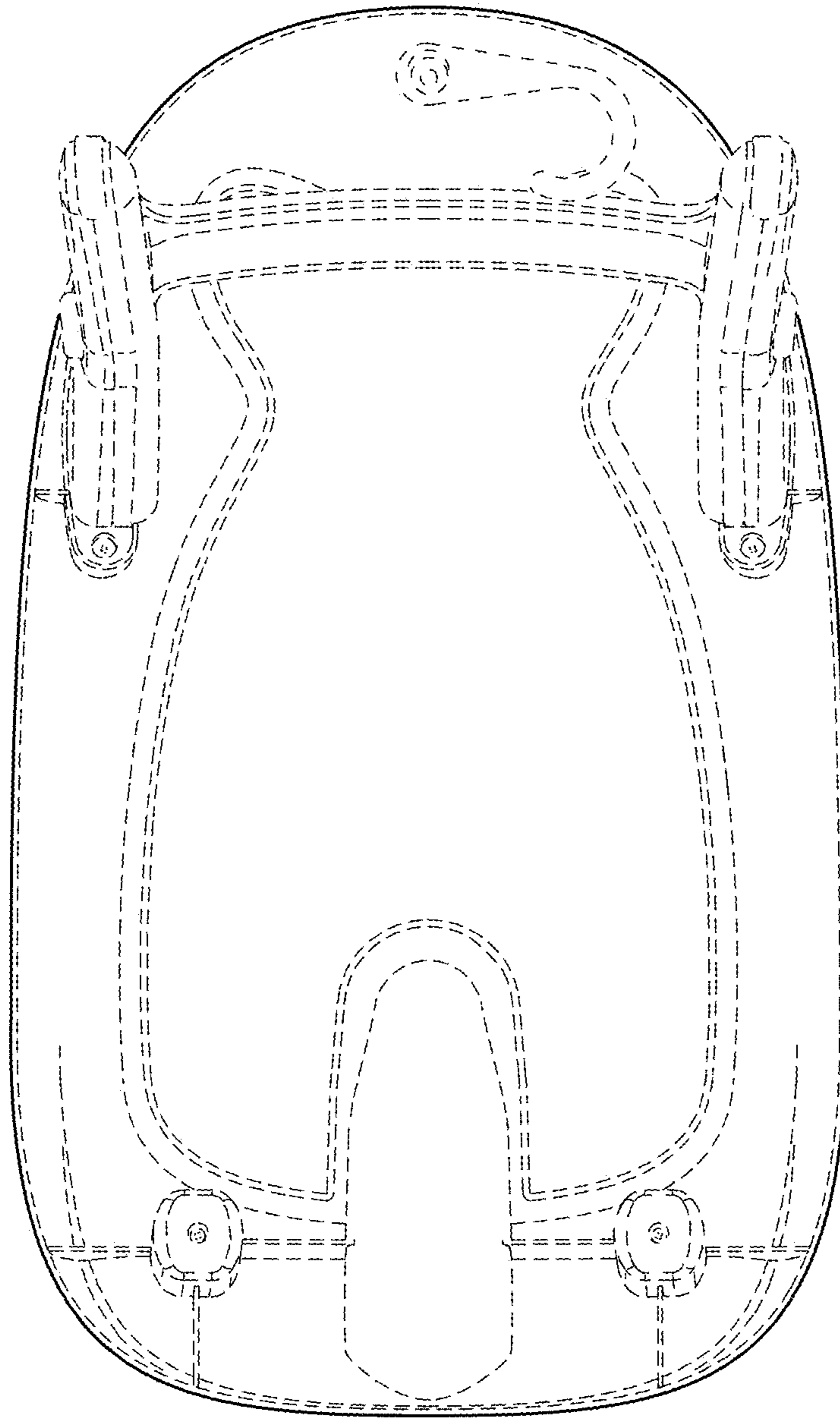


FIG. 9



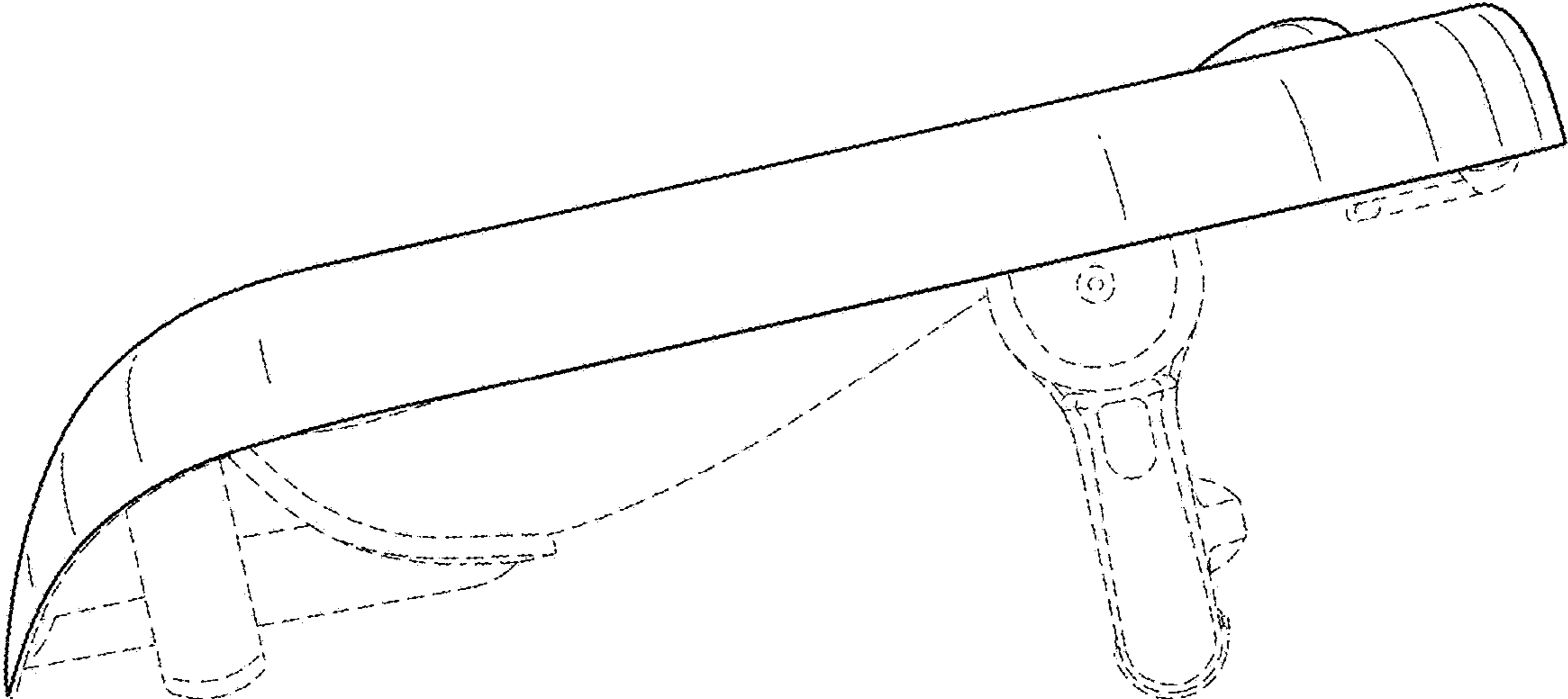


FIG. 10

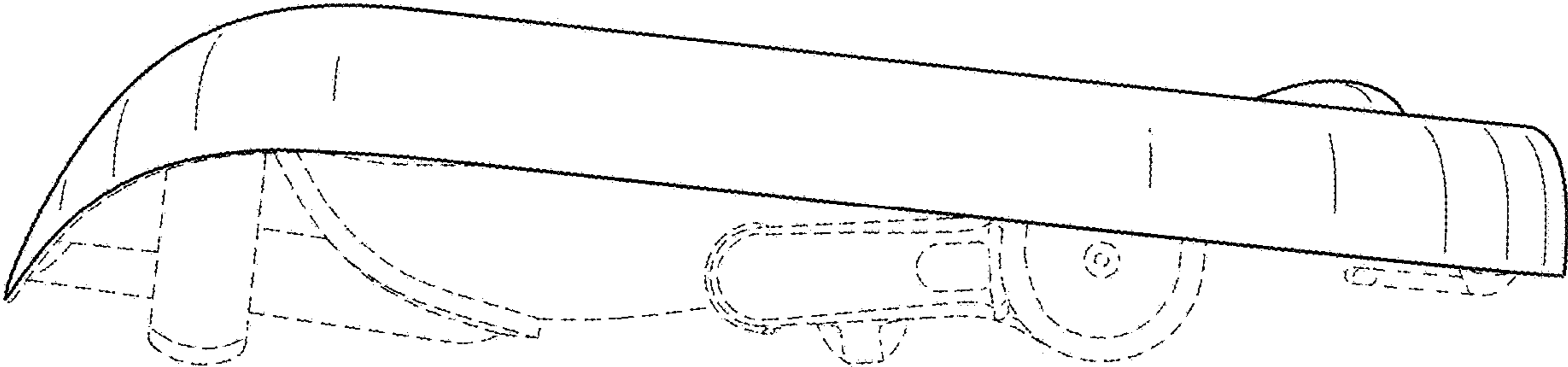


FIG. 11