



US0D1016985S

(12) **United States Design Patent**  
**Martinez**

(10) **Patent No.: US D1,016,985 S**

(45) **Date of Patent: \*\* Mar. 5, 2024**

(54) **FAUCET HANDLE**

(71) Applicant: **DELTA FAUCET COMPANY,**  
Indianapolis, IN (US)

(72) Inventor: **Chantal Martinez,** West Lafayette, IN  
(US)

(73) Assignee: **DELTA FAUCET COMPANY,**  
Indianapolis, IN (US)

(\*\*) Term: **15 Years**

(21) Appl. No.: **29/830,710**

(22) Filed: **Mar. 15, 2022**

(51) **LOC (14) Cl. .... 23-01**

(52) **U.S. Cl.**  
USPC ..... **D23/252**

(58) **Field of Classification Search**  
USPC ..... D23/238–242, 249–250, 252;  
D8/307–308

CPC ..... E03C 1/04; E03C 1/0404; E03C 1/0402;  
Y10T 137/9464; F16K 31/60; F16K  
31/605; F16K 31/602; F16K 31/06

See application file for complete search history.

(56) **References Cited**

**U.S. PATENT DOCUMENTS**

D301,053 S \* 5/1989 Rodstein ..... D23/242  
D515,663 S \* 2/2006 Lin ..... D23/255

D861,139 S \* 9/2019 Zhang ..... D23/255  
D919,764 S \* 5/2021 Spangler ..... D23/250  
D922,534 S \* 6/2021 Eads ..... D23/252  
D922,535 S \* 6/2021 Lazarini ..... D23/252  
D926,292 S \* 7/2021 Spangler ..... D23/242

\* cited by examiner

*Primary Examiner* — Robert A Delehanty

(74) *Attorney, Agent, or Firm* — Jeffrey L. Doyle

(57) **CLAIM**

The ornamental design for a faucet handle, as shown and described.

**DESCRIPTION**

FIG. 1 is a front perspective view of a faucet handle showing our new design;

FIG. 2 is a rear perspective view thereof.

FIG. 3 is a front elevational view thereof;

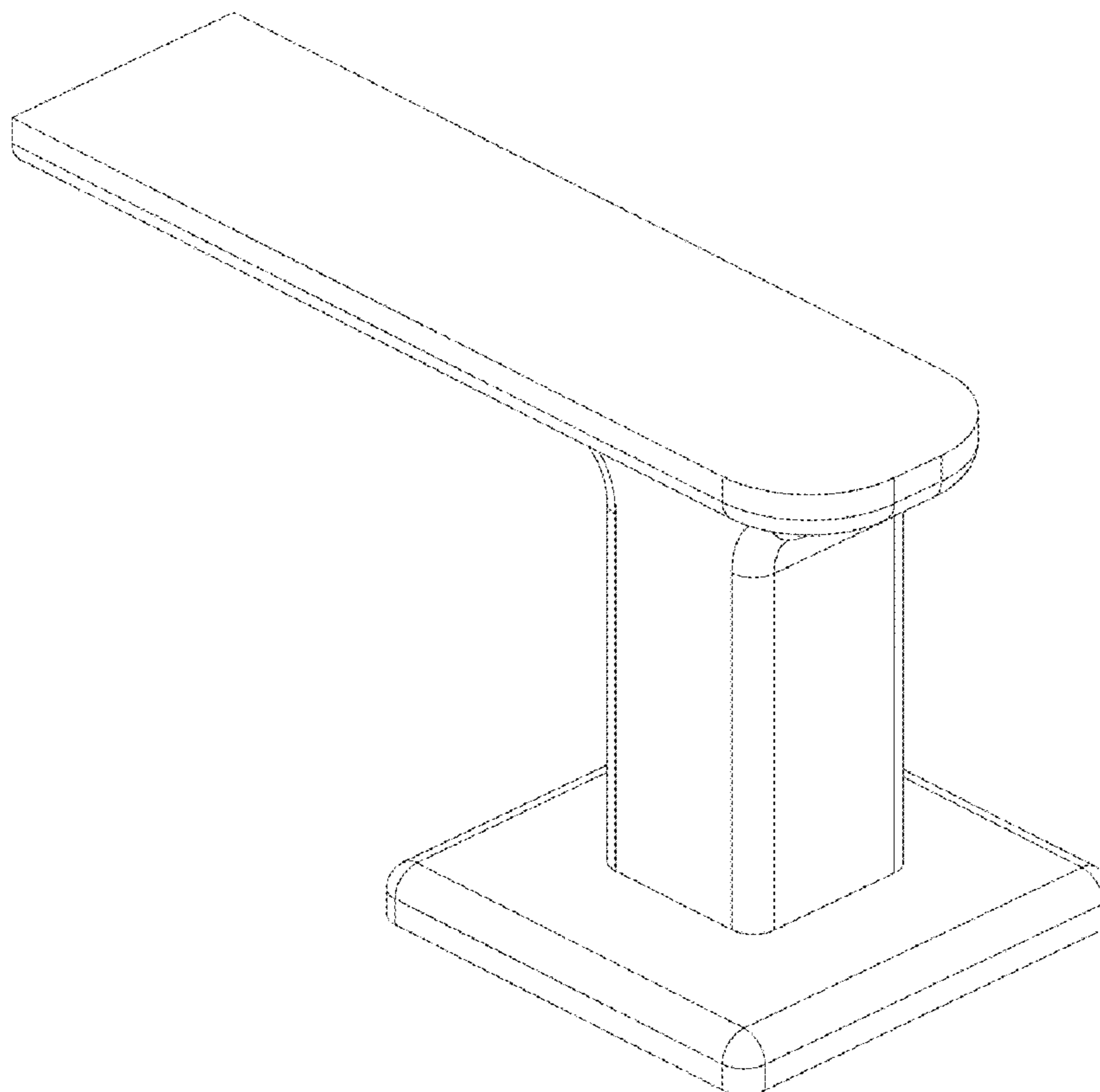
FIG. 4 is a left-side view thereof;

FIG. 5 is a rear view thereof;

FIG. 6 is a right-side view thereof; and,

FIG. 7 is a top plan view thereof.

**1 Claim, 4 Drawing Sheets**



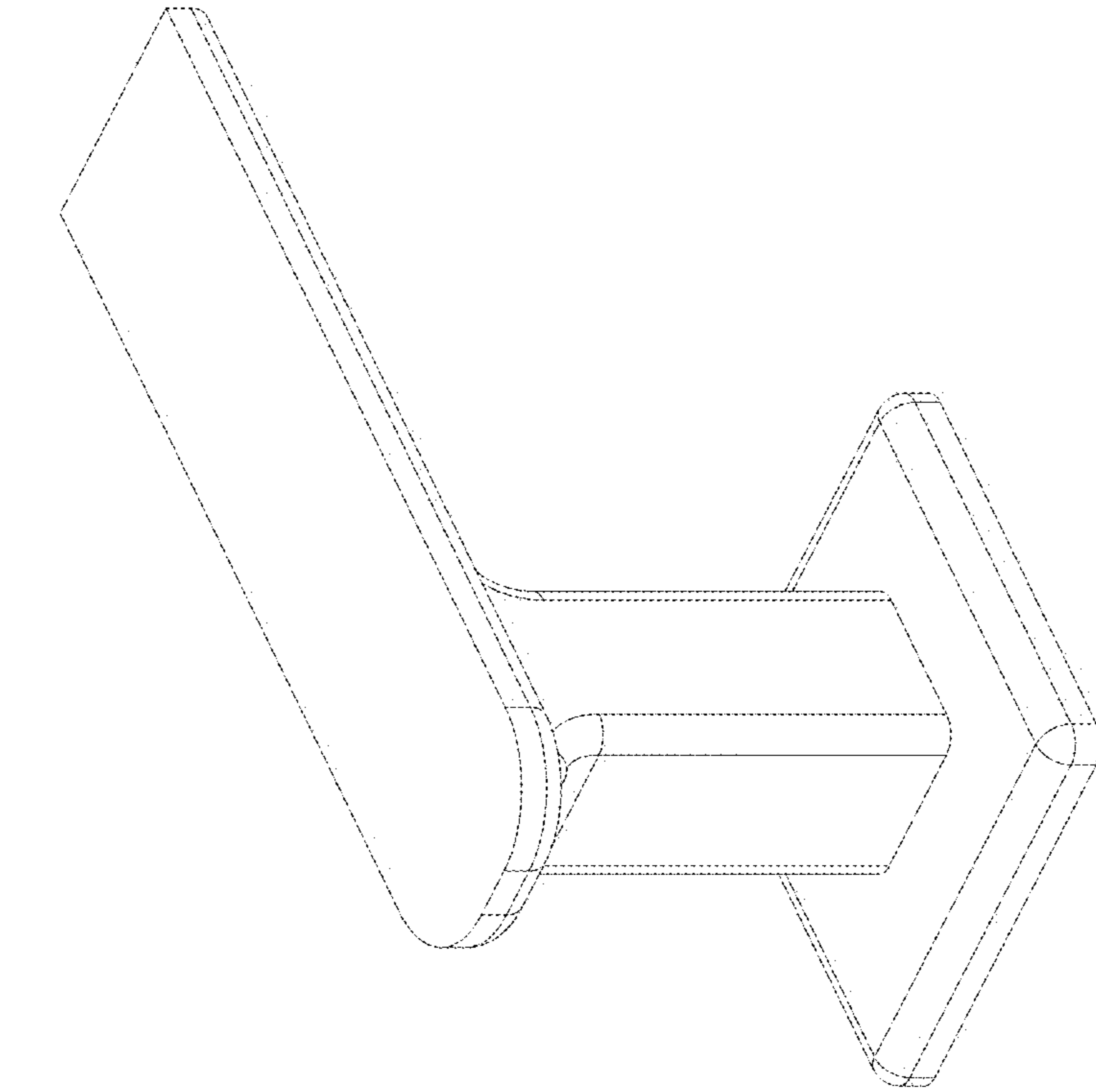


FIG - 1

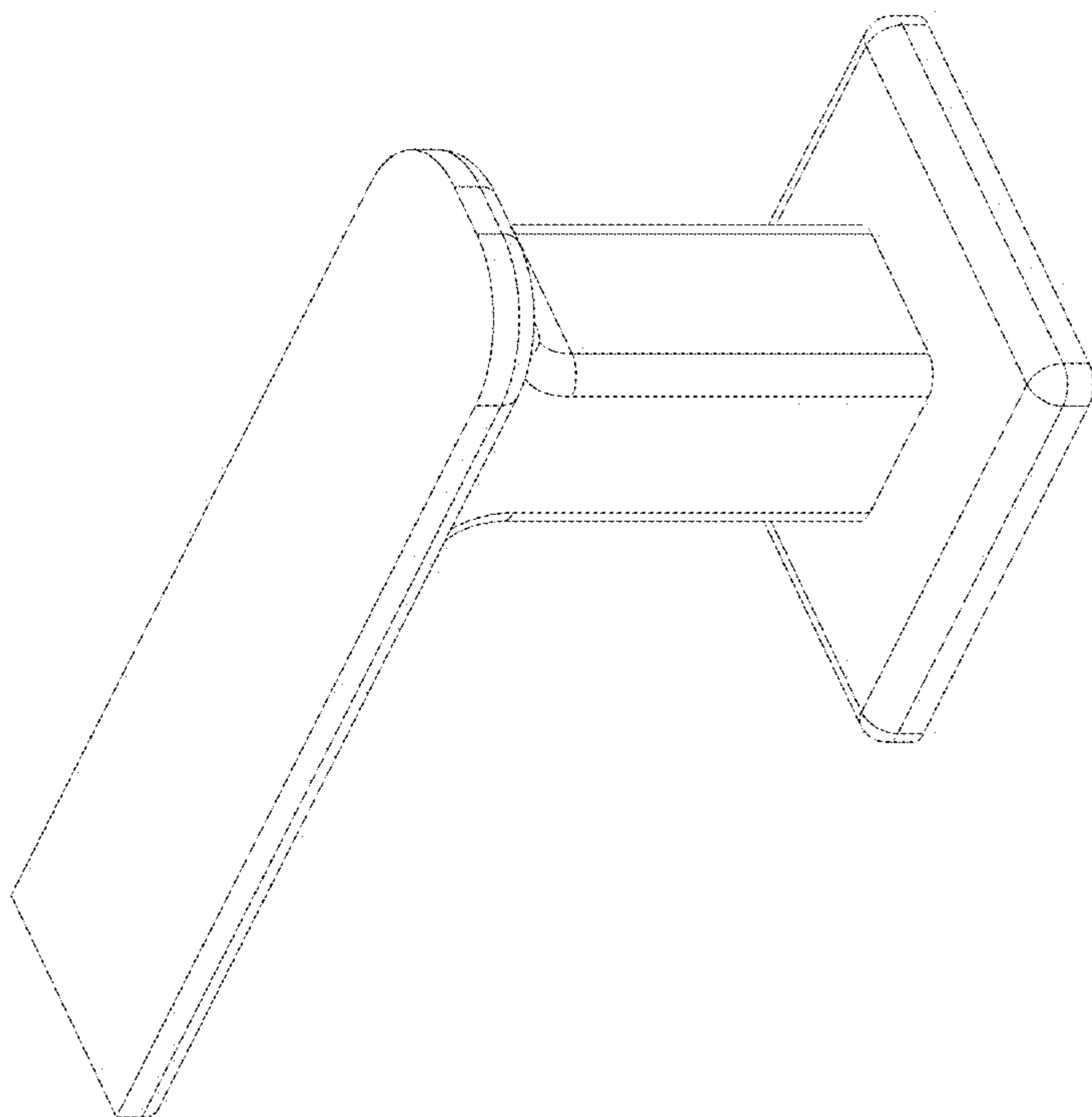


FIG - 2

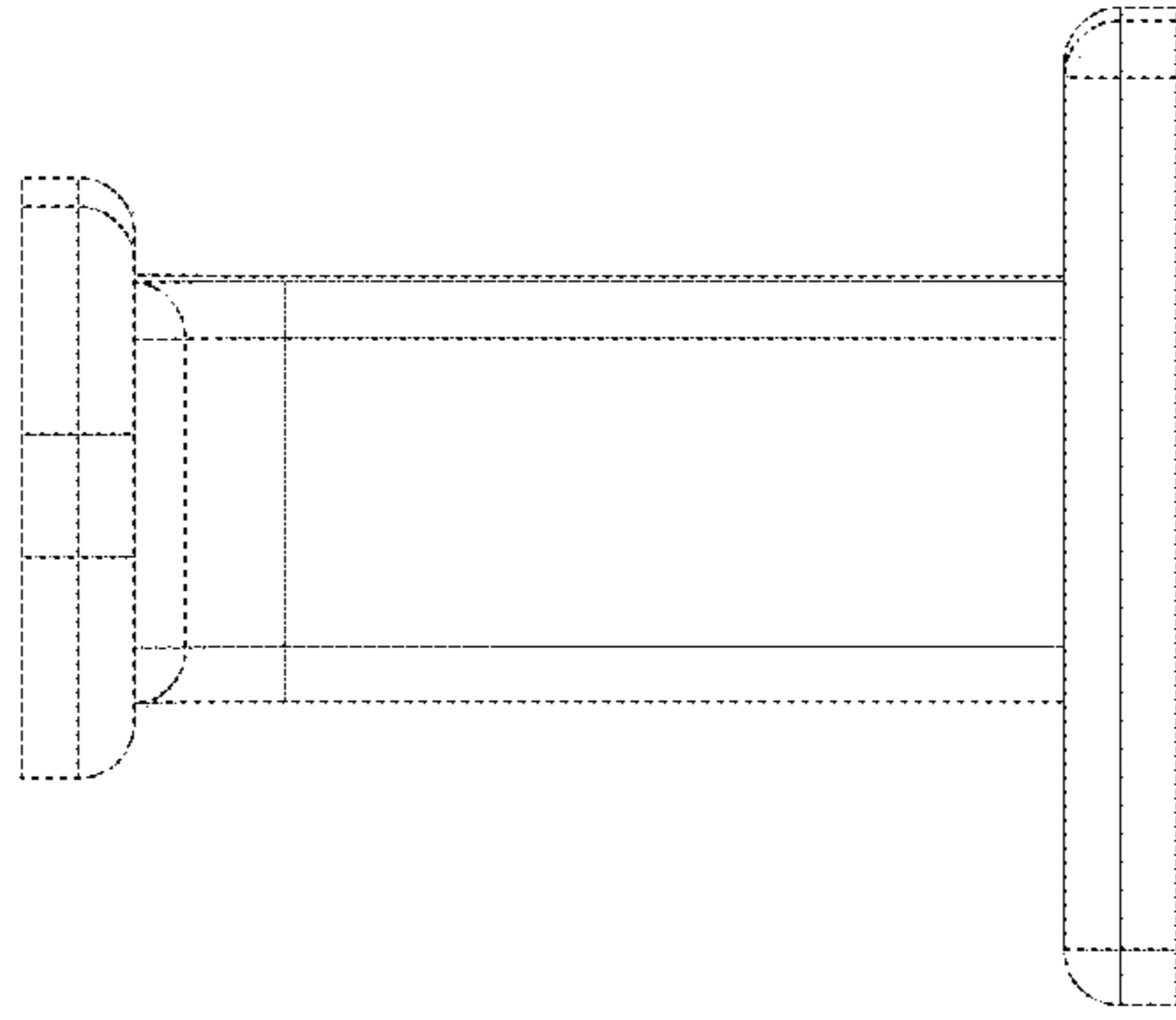


FIG - 4

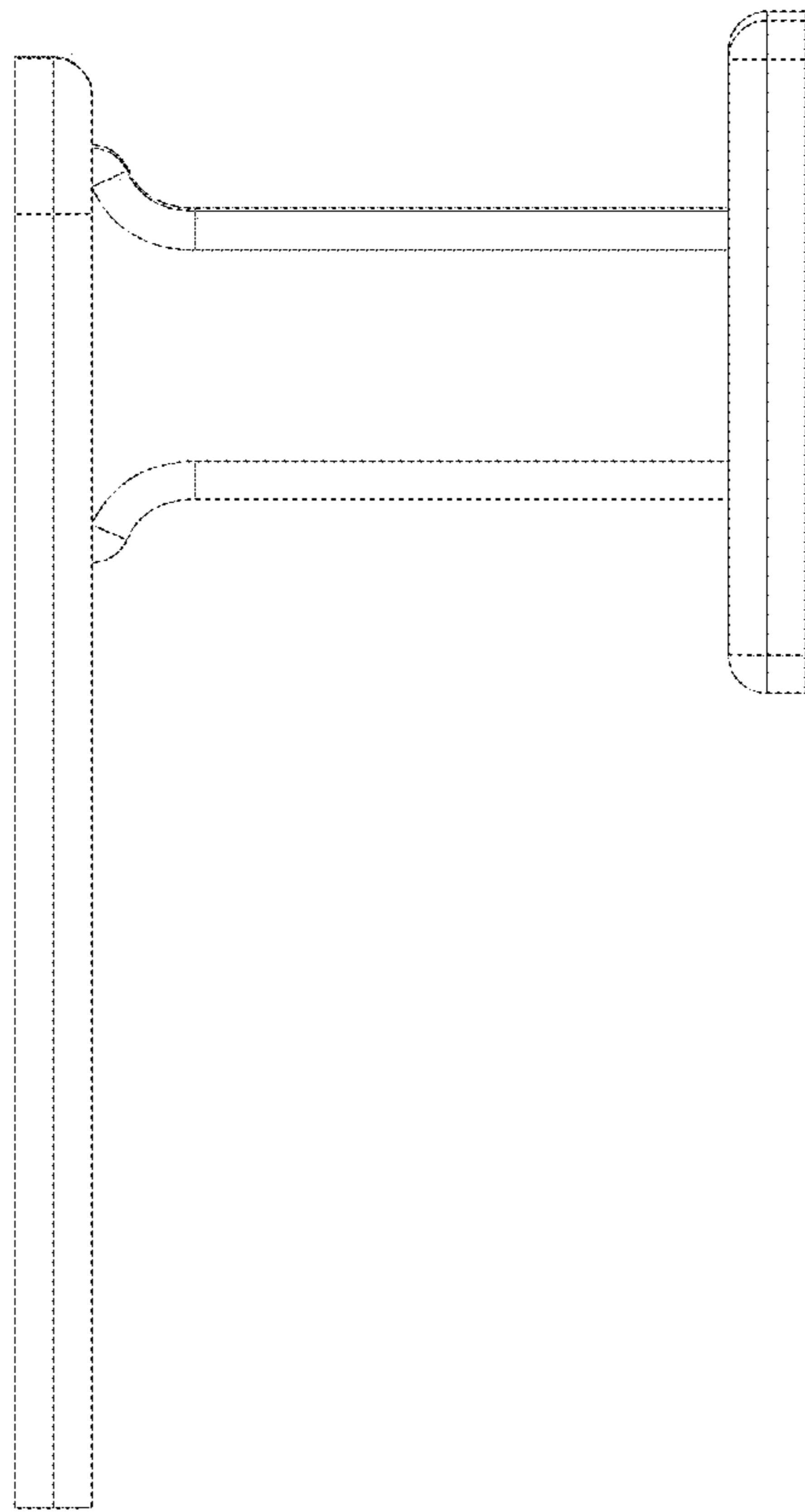


FIG - 3

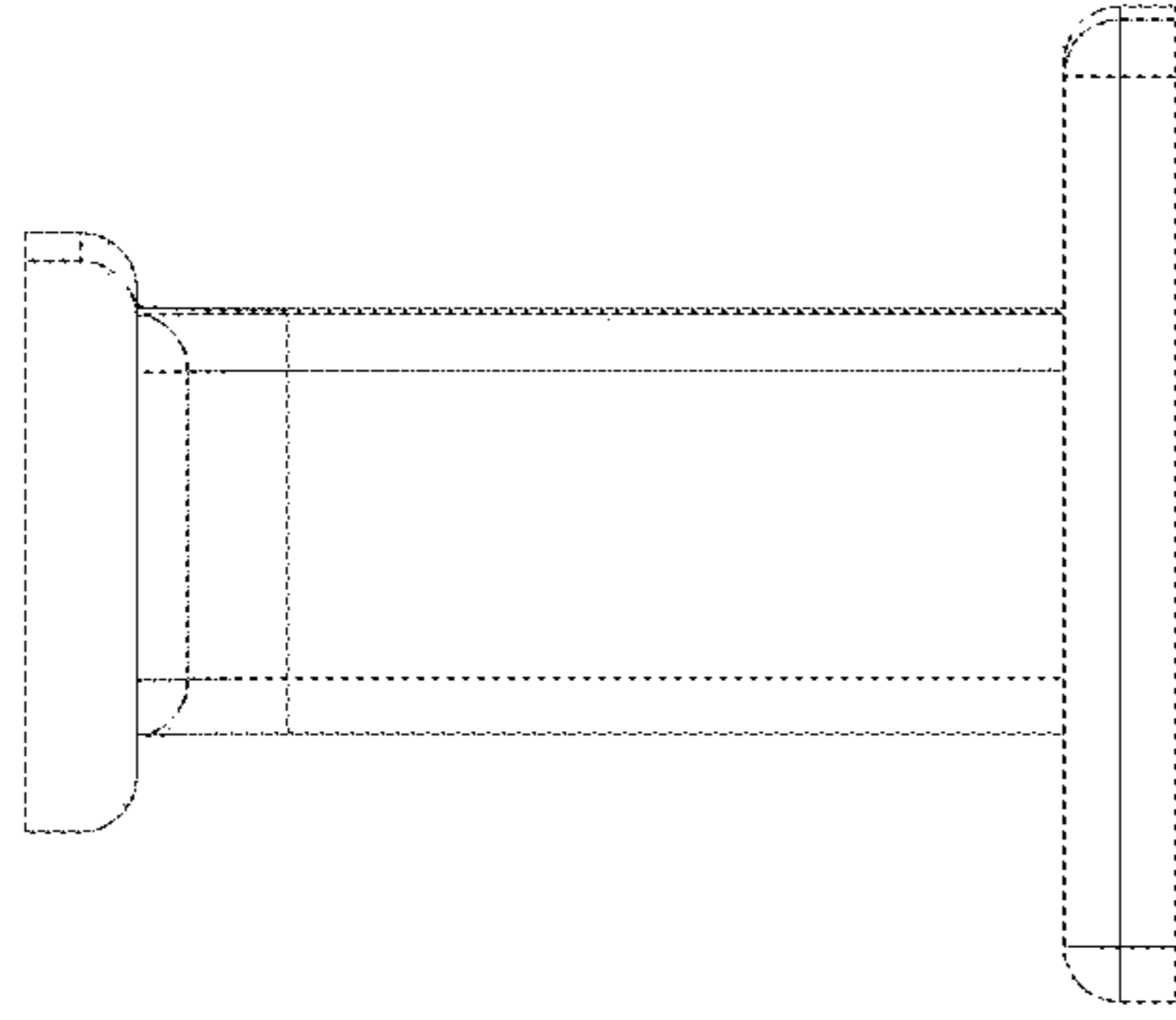


FIG - 6

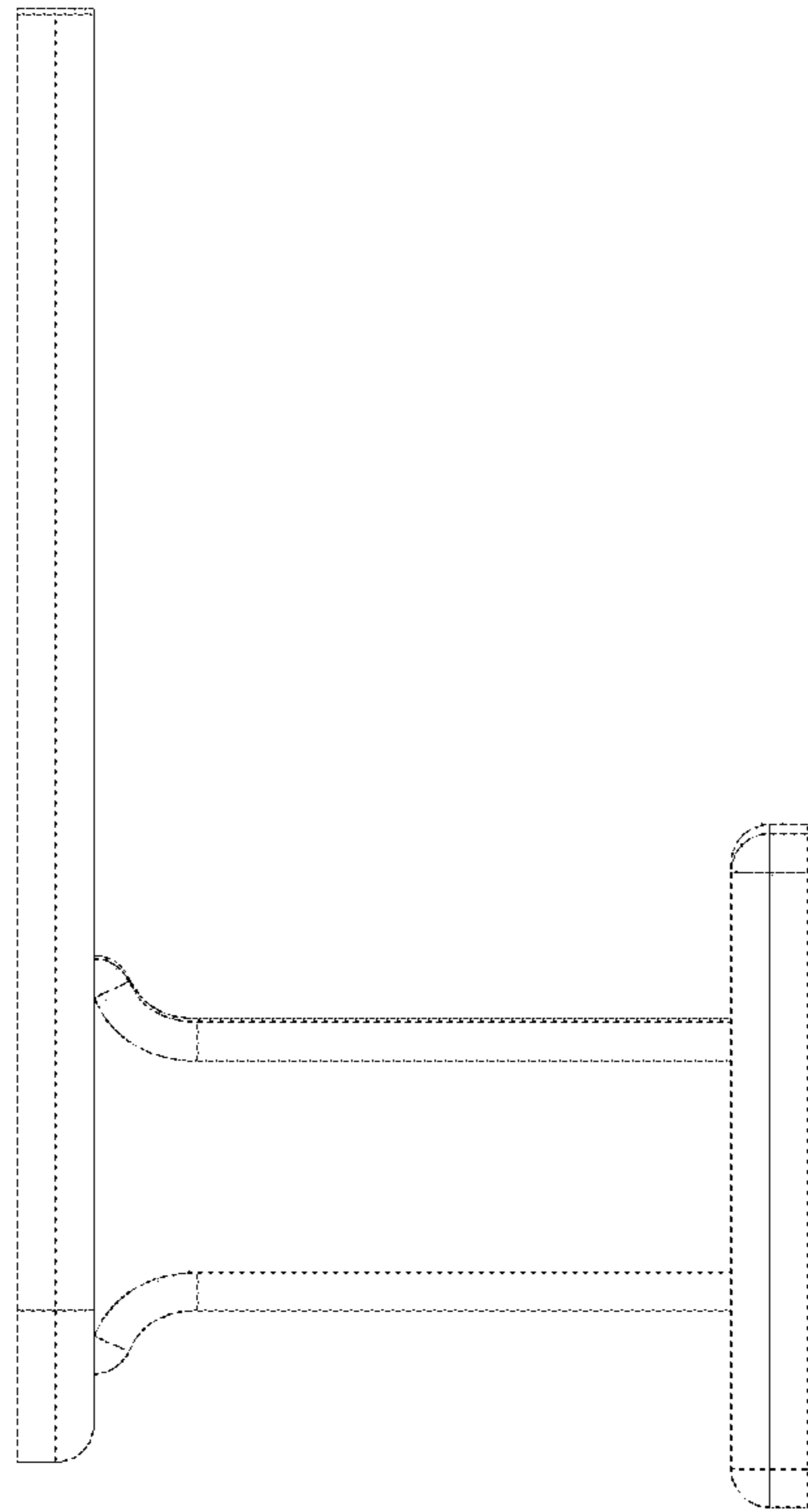


FIG - 5

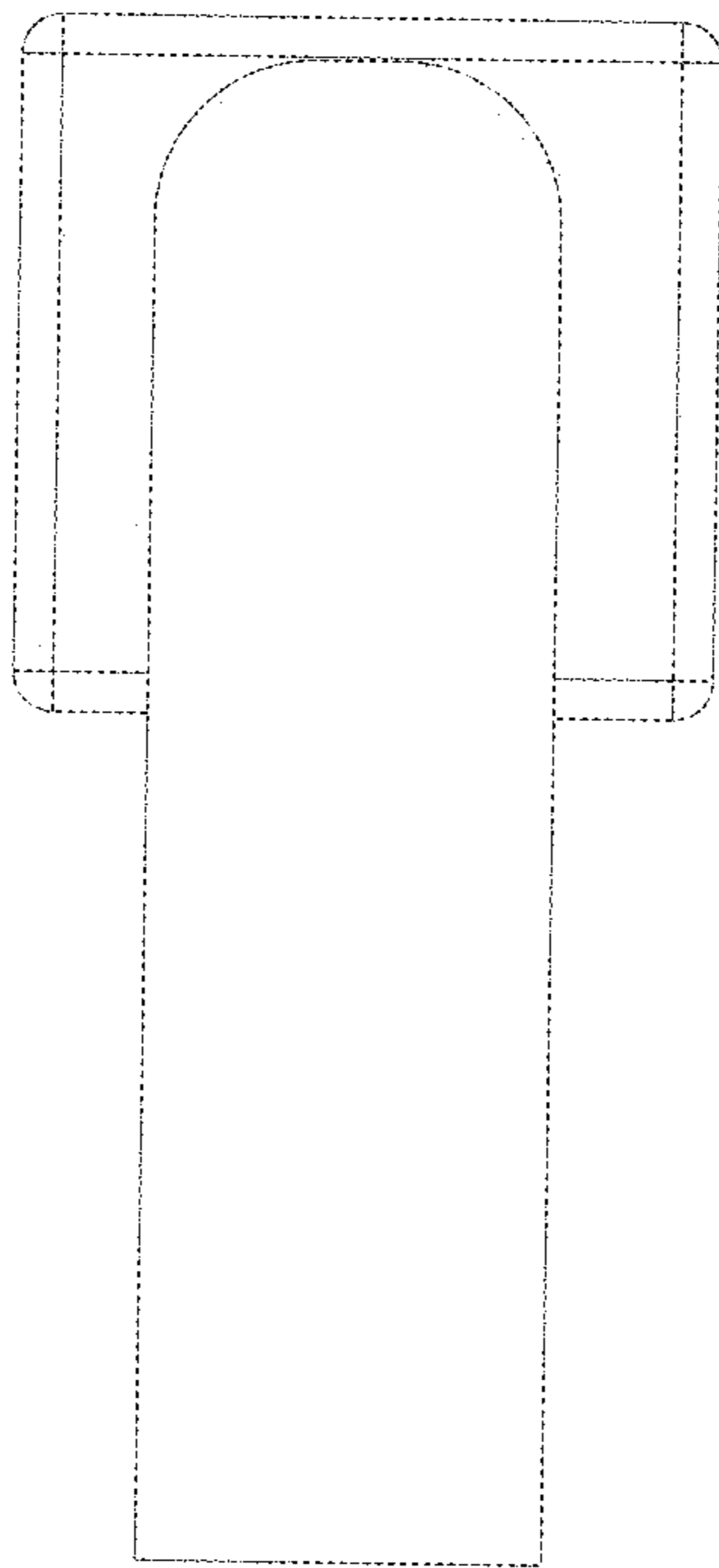


FIG - 7