



US0D1016932S

(12) **United States Design Patent** (10) **Patent No.:** **US D1,016,932 S**
Chen (45) **Date of Patent:** **** Mar. 5, 2024**

(54) **TOY GUN**

FOREIGN PATENT DOCUMENTS

(71) Applicant: **SHANTOU RONGKAI TOYS INDUSTRIAL CO., LTD.**, Shantou (CN)

CN 304306647 * 10/2017
CN 308007724 * 4/2023
CN 308180609 * 8/2023

(72) Inventor: **Yousong Chen**, Shantou (CN)

OTHER PUBLICATIONS

(73) Assignee: **SHANTOU RONGKAI TOYS INDUSTRIAL CO., LTD.**, Shantou (CN)

Amazon Website, Nerf Blaster, Earliest Available Date: Aug. 1, 2021 [Website Visited Nov. 21, 2023] Available on the Internet URL <https://www.amazon.com/dp/B08SYD2685/> (Year: 2021).*

(**) Term: **15 Years**

Amazon Website, Dart Zone Foam Dart Blaster, Earliest Comment Date: Jul. 28, 2022 [Website Visited Nov. 21, 2023] Available on the Internet URL <https://www.amazon.com/dp/B09CGS77SF/> (Year: 2022).*

(21) Appl. No.: **29/864,758**

Amazon Website, XShot Foam Dart Blaster, Earliest Available Date: Jul. 30, 2022 [Website Visited Nov. 21, 2023] Available on the Internet URL <https://www.amazon.com/dp/B09NXGMLH2?th=1> (Year: 2022).*

(22) Filed: **Jun. 17, 2022**

(51) **LOC (14) Cl.** **21-01**

* cited by examiner

(52) **U.S. Cl.**

USPC **D21/574**; D21/573; D21/570; D21/567

Primary Examiner — S. Bryan Reinholdt, Jr.

Assistant Examiner — James T Tyree

(58) **Field of Classification Search**

USPC D21/574, 573, 567, 570, 572, 575, 401; D22/100, 105, 101, 104, 199

CPC A63H 5/04; F41C 3/06; A63F 9/0252

See application file for complete search history.

(57) **CLAIM**

The ornamental design for a toy gun, as shown and described.

DESCRIPTION

(56) **References Cited**

U.S. PATENT DOCUMENTS

D693,420 S	*	11/2013	Abbott	D22/103
D745,103 S	*	12/2015	Corsi	D22/103
D792,543 S	*	7/2017	Lakatos	D22/104
D826,232 S	*	8/2018	Waldman	D21/574
D849,869 S	*	5/2019	Kielsmeier	D22/104
D926,279 S	*	7/2021	Muska	D22/103
D977,036 S	*	1/2023	Lin	D21/572
D977,037 S	*	1/2023	Lin	D21/572

FIG. 1 is a perspective view of a toy gun showing my new design;

FIG. 2 is a front elevational view thereof;

FIG. 3 is a rear elevational view thereof;

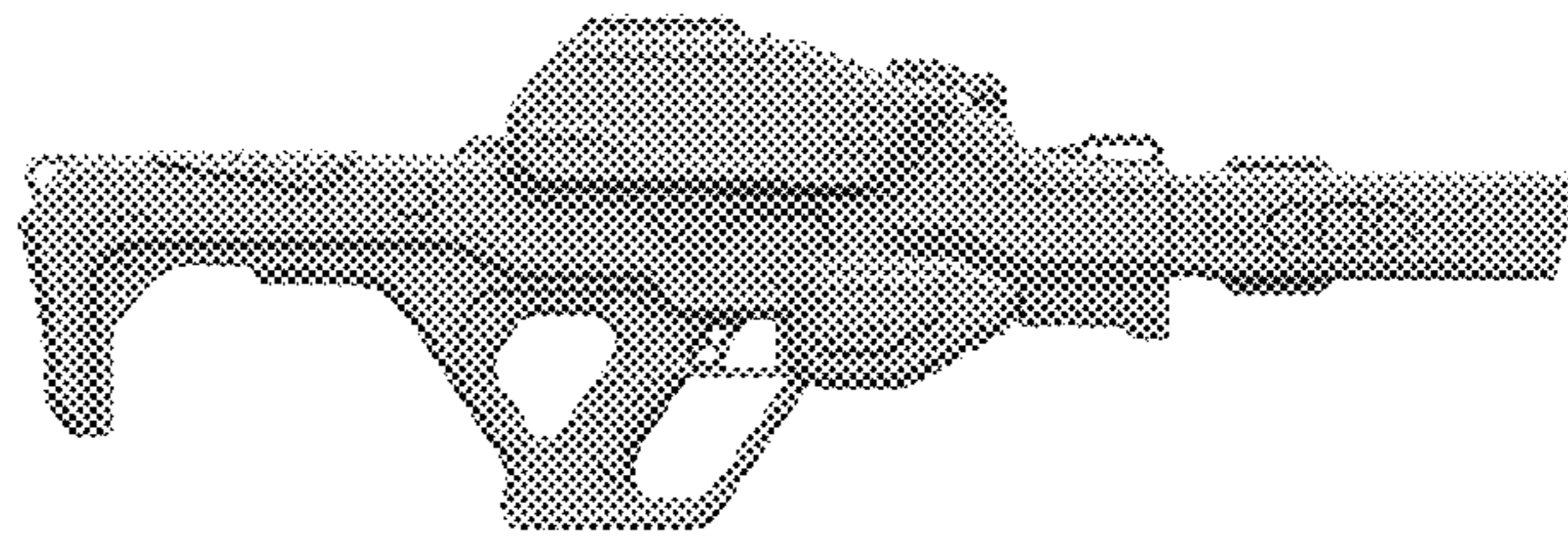
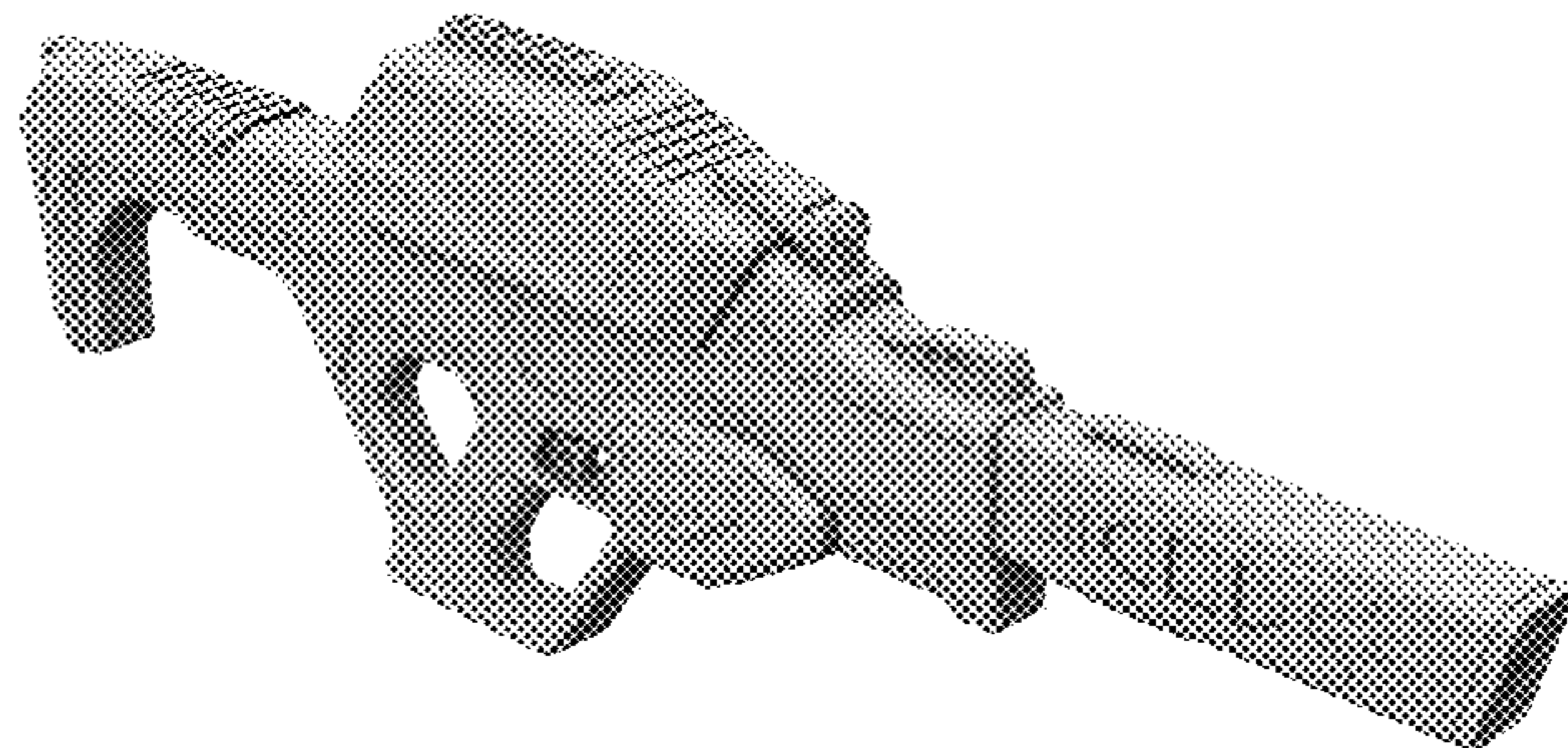
FIG. 4 is a left side elevational view thereof;

FIG. 5 is a right side elevational view thereof;

FIG. 6 is a top plan view thereof; and,

FIG. 7 is a bottom plan view thereof.

1 Claim, 7 Drawing Sheets



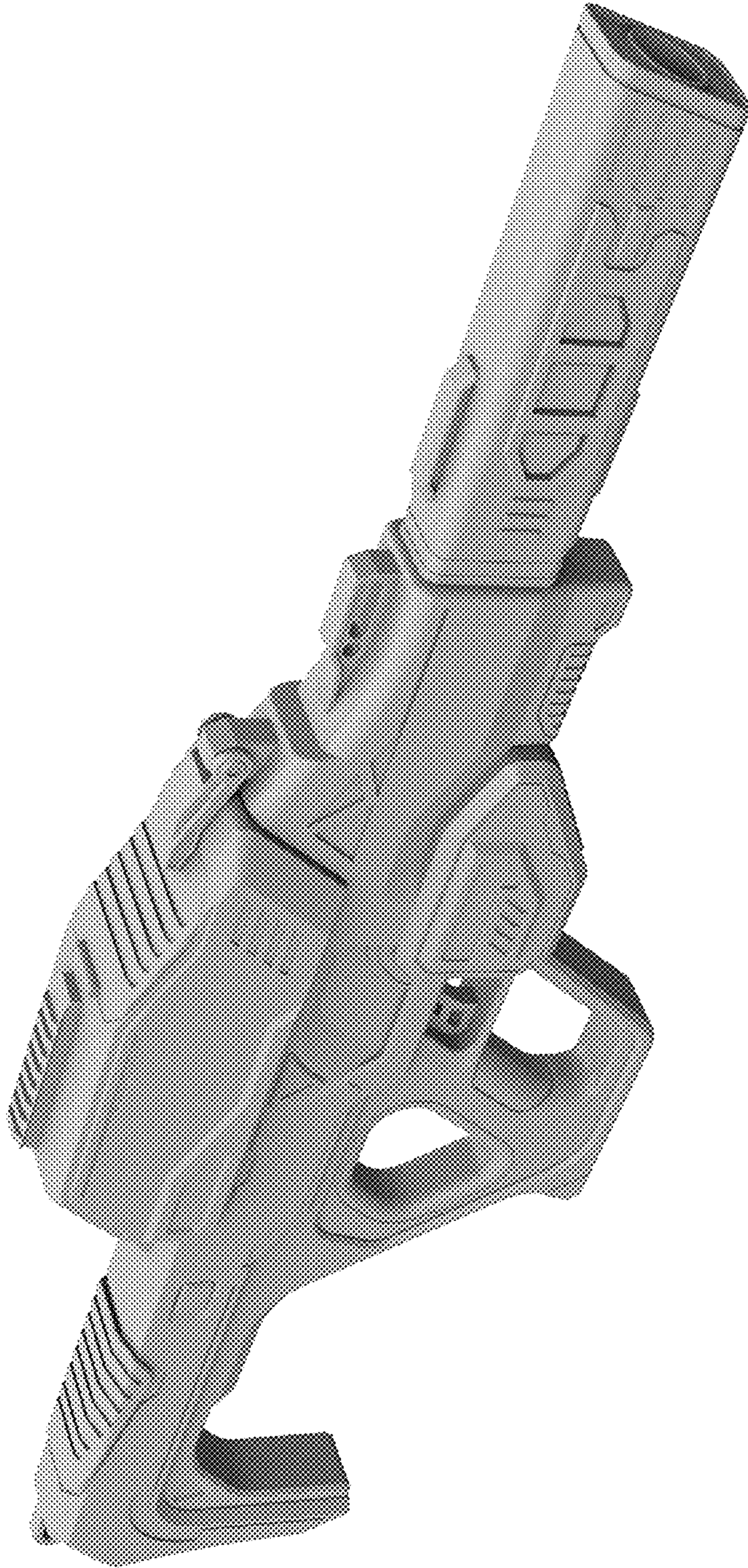


FIG. 1

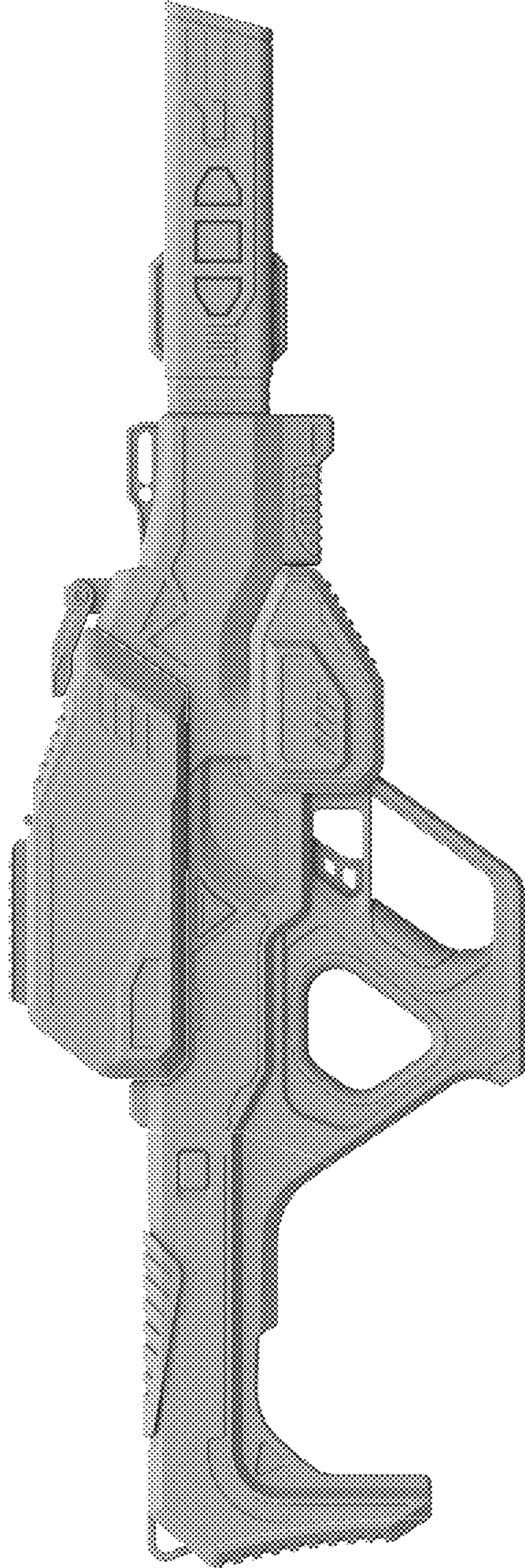


FIG. 2

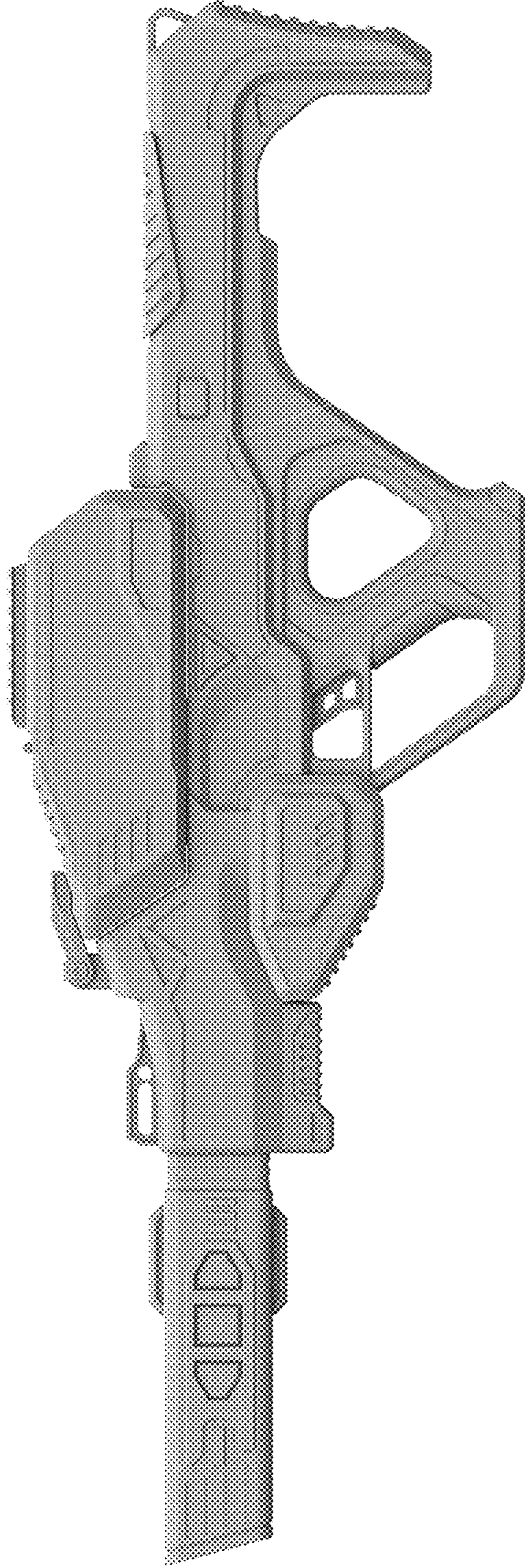


FIG. 3

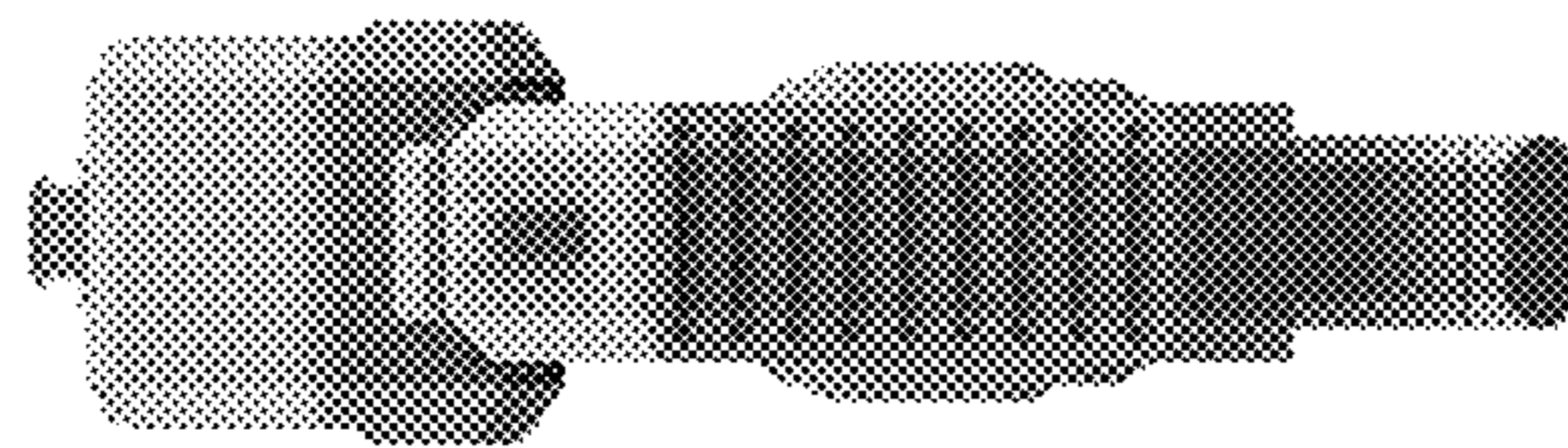


FIG. 4

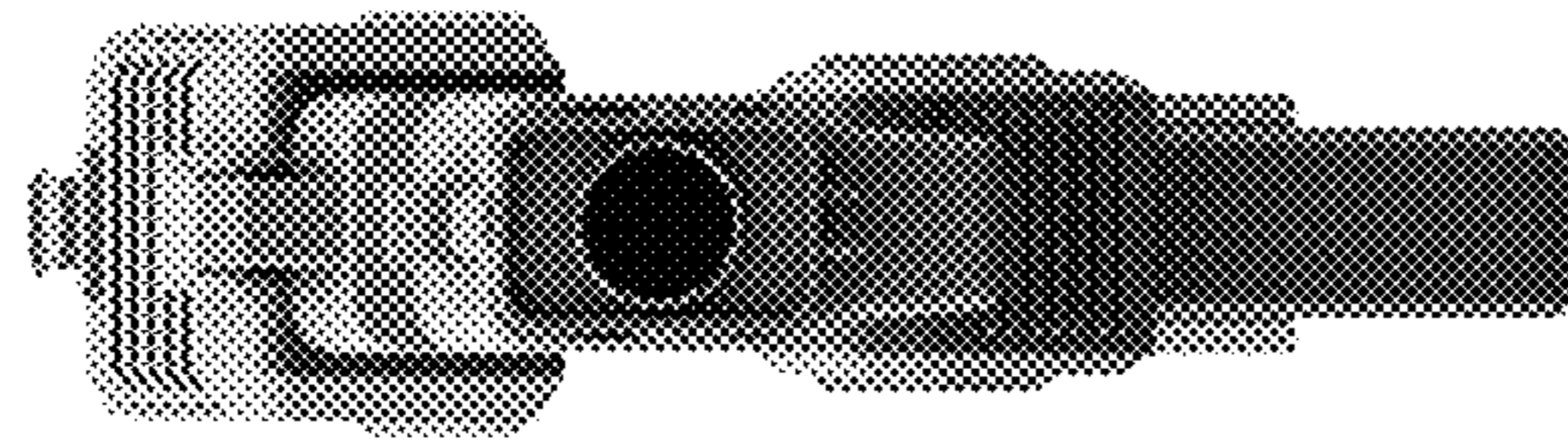


FIG. 5

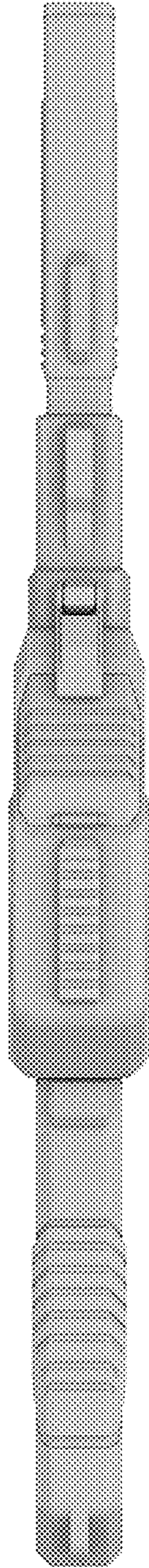


FIG. 6

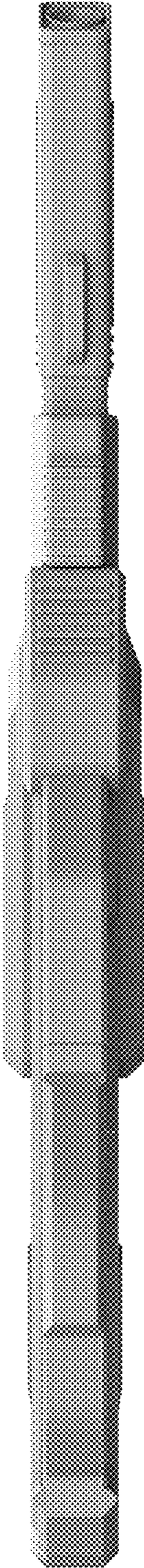


FIG. 7