



US0D1016929S

(12) **United States Design Patent**
Goldsmith et al.

(10) **Patent No.:** **US D1,016,929 S**

(45) **Date of Patent:** **** Mar. 5, 2024**

(54) **MAGNETIC BUILDING TILE HAVING A GEAR SHAPE DESIGN**

(71) Applicant: **Lone Star Merchandising Group Inc.**,
Austin, TX (US)

(72) Inventors: **Moshe Goldsmith**, Miami, FL (US);
Shneur Kurinsky, Austin, TX (US)

(73) Assignee: **Lone Star Merchandising Group Inc.**,
Austin, TX (US)

(**) Term: **15 Years**

(21) Appl. No.: **29/812,312**

(22) Filed: **Oct. 20, 2021**

(51) **LOC (14) Cl.** **21-01**

(52) **U.S. Cl.**
USPC **D21/489**

(58) **Field of Classification Search**

USPC 446/85, 92, 108, 120, 124, 125;
D21/404, 478, 479, 484, 487, 488, 489,
D21/490, 491, 495, 498, 499, 500, 503,
D21/540, 561, 564, 565

CPC A63H 33/04; A63H 33/08; A63H 33/046;
A63H 33/062; A63H 33/26; A63H
33/101; A63H 18/02; A63H 19/30; A63H
18/028; A63H 18/00; A63H 19/00

See application file for complete search history.

(56) **References Cited**

U.S. PATENT DOCUMENTS

5,021,021	A	6/1991	Ballard
5,411,262	A	5/1995	Smith
D393,667	S	4/1998	Perry
6,431,936	B1	8/2002	Kiribuchi
7,154,363	B2	12/2006	Hunts
7,160,170	B2	1/2007	Yoon
7,273,404	B2	9/2007	Kowalski et al.
7,833,078	B2	11/2010	Kretzschmar

8,100,735	B2	1/2012	Park
D713,891	S	9/2014	Schwartz
9,022,829	B2	5/2015	Rosen et al.
9,238,180	B2	1/2016	Kennedy
D767,691	S	9/2016	Wang
D771,752	S	* 11/2016	Henkin D21/491
D773,562	S	12/2016	Kiribuchi
D773,563	S	12/2016	Kiribuchi
D773,564	S	12/2016	Kiribuchi

(Continued)

Primary Examiner — Gino Colan

Assistant Examiner — Gregory G McLemore

(74) *Attorney, Agent, or Firm* — Hartman & Citrin LLC

(57) **CLAIM**

The ornamental design for a magnetic building tile having a gear shape design, as shown and described.

DESCRIPTION

FIG. 1 is a perspective view of a magnetic building tile having a gear shape design showing our new design.

FIG. 2 is a top plan view of the magnetic building tile having a gear shape design as illustrated in FIG. 1.

FIG. 3 is a bottom plan view of the magnetic building tile having a gear shape design as illustrated in FIG. 1.

FIG. 4 is side elevation view of the magnetic building tile having a gear shape design as illustrated in FIG. 1.

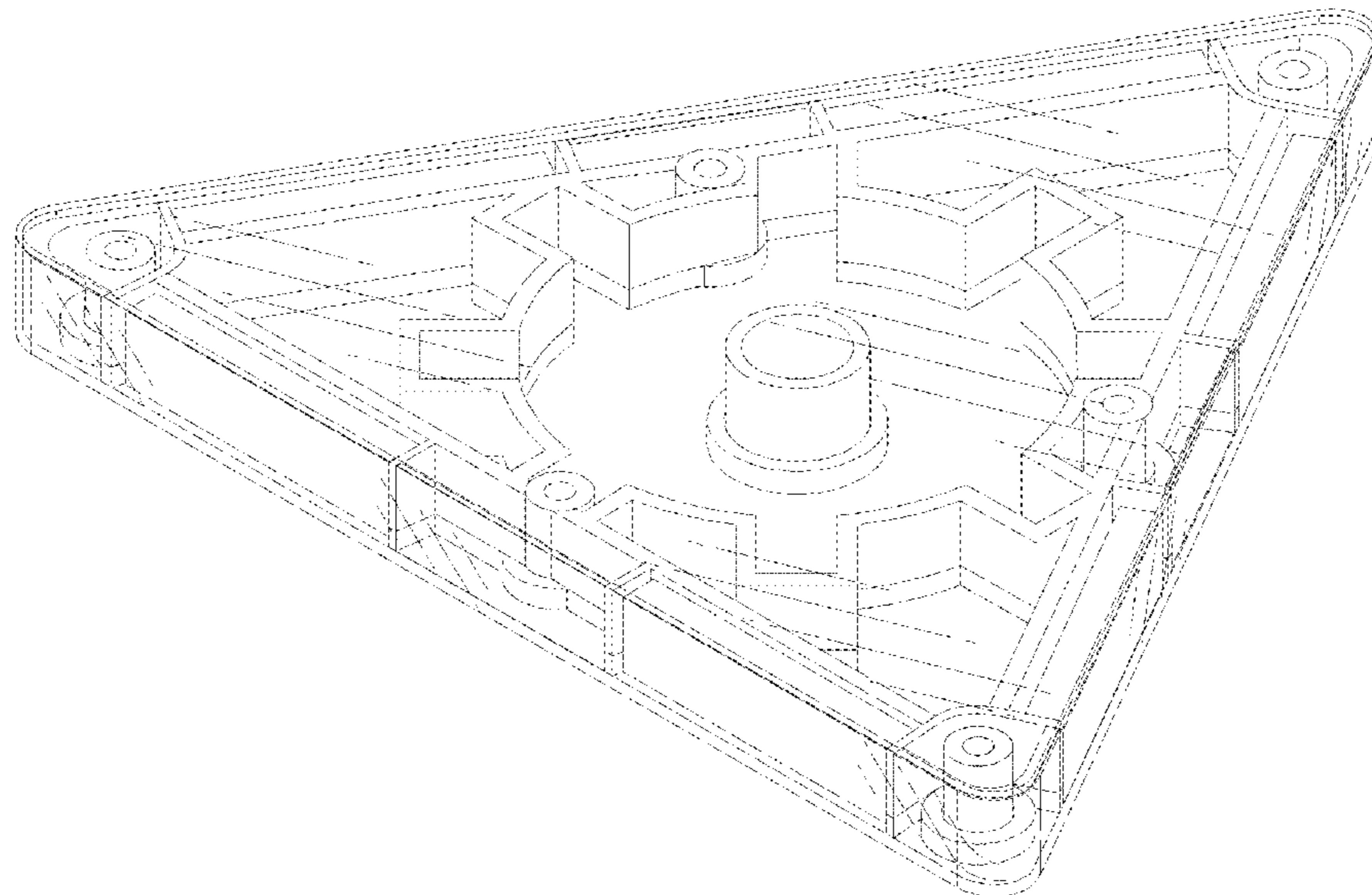
FIG. 5 is another side elevation view of the magnetic building tile having a gear shape design as illustrated in FIG. 1.

FIG. 6 is yet another side elevation view of the magnetic building tile having a gear shape design as illustrated in FIG. 1; and,

FIG. 7 is an exploded perspective view of the two tile components that can be assembled to form the magnetic building tile having a gear shape design as illustrated in FIG. 1.

In the FIGURES, any broken line in the drawing is not part of the design sought to be patented.

1 Claim, 3 Drawing Sheets



(56)

References Cited

U.S. PATENT DOCUMENTS

D784,938 S 4/2017 Wang
 9,636,600 B2 5/2017 Rudisill et al.
 9,643,100 B2 5/2017 Fein et al.
 D789,312 S 6/2017 Wang
 9,713,777 B2 7/2017 Peterson
 D799,603 S 10/2017 Wang
 D799,604 S 10/2017 Wang
 D813,955 S * 3/2018 Henkin D21/489
 D823,946 S * 7/2018 Henkin D21/404
 D827,720 S 9/2018 Whang
 D827,721 S 9/2018 Whang
 10,080,977 B2 9/2018 Rosen et al.
 D829,825 S * 10/2018 Henkin D21/404
 D830,475 S 10/2018 Wang
 D831,129 S 10/2018 Wang
 10,173,143 B2 1/2019 Fergon
 10,188,960 B2 1/2019 Berglund et al.
 10,245,523 B2 4/2019 Lin
 10,258,896 B2 4/2019 Ornstein et al.
 D867,263 S 11/2019 Ornstein et al.
 D891,530 S * 7/2020 Strauss D21/478
 D893,635 S * 8/2020 Henkin D21/404
 D894,283 S 8/2020 Kogure
 D894,284 S 8/2020 Kogure
 D894,289 S 8/2020 Henkin et al.
 D895,017 S 9/2020 Kogure

D908,812 S * 1/2021 Kogure D21/491
 D922,501 S * 6/2021 Lv D21/491
 D928,239 S * 8/2021 Wang D21/489
 D929,505 S * 8/2021 Wang D21/490
 D959,563 S * 8/2022 Lyu D21/404
 D965,689 S * 10/2022 Peluso D21/491
 11,527,344 B2 * 12/2022 Kuo A63H 33/008
 D981,496 S * 3/2023 Zhu D21/404
 D986,982 S * 5/2023 Shen D21/491
 11,642,604 B1 * 5/2023 Xie A63H 33/046
 446/92
 2006/0091606 A1 5/2006 Paugh et al.
 2006/0137270 A1 6/2006 Daftari et al.
 2006/0179778 A1 8/2006 Kowalski et al.
 2008/0009218 A1 1/2008 Balanchi
 2012/0225603 A1 9/2012 Trinch
 2014/0227935 A1 8/2014 Yoon
 2014/0256210 A1 9/2014 Johnson
 2015/0065007 A1 3/2015 Klepper et al.
 2016/0074766 A1 3/2016 Choi
 2016/0199749 A1 7/2016 Whittaker
 2017/0065899 A1 3/2017 Moskowitz
 2017/0182429 A1 * 6/2017 Choi A63H 33/046
 2018/0056206 A1 3/2018 Micko et al.
 2018/0333652 A1 * 11/2018 Lin A63H 33/06
 2020/0184852 A1 6/2020 Hartloff et al.
 2020/0246715 A1 8/2020 Benssan et al.
 2020/0306618 A1 10/2020 Ziran et al.
 2023/0011988 A1 * 1/2023 Wang A63H 33/042

* cited by examiner

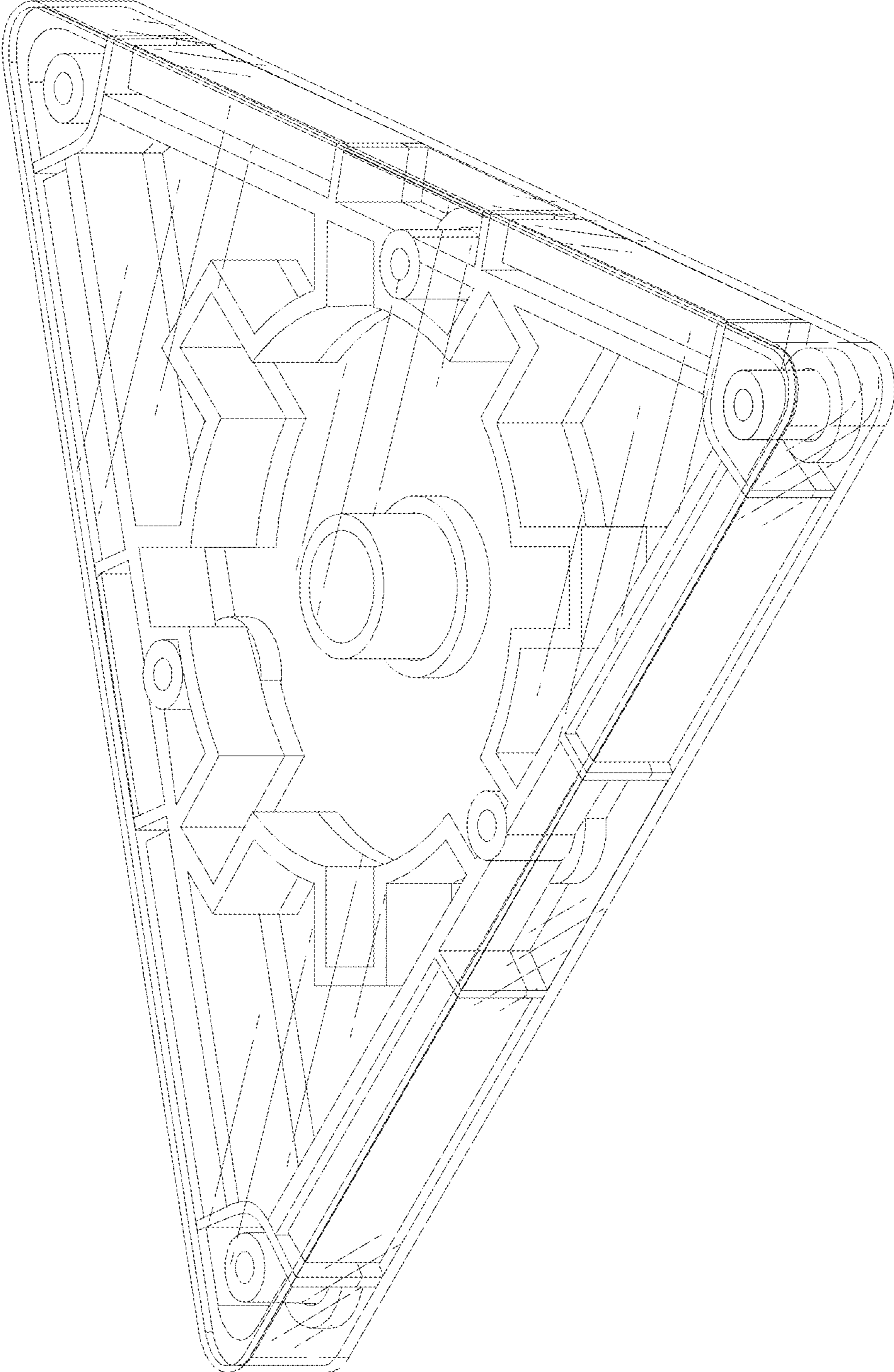


FIG. 1

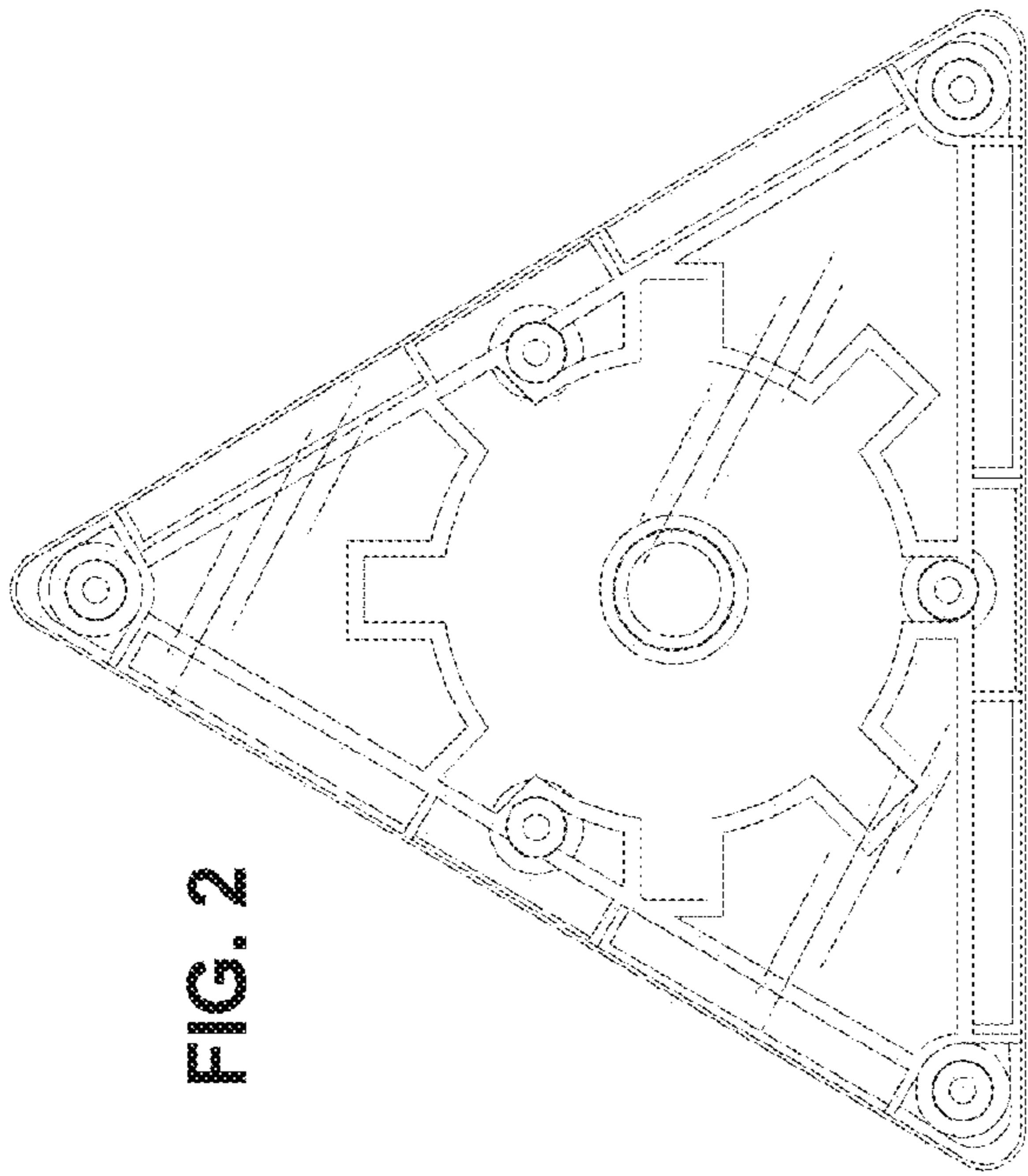


FIG. 2

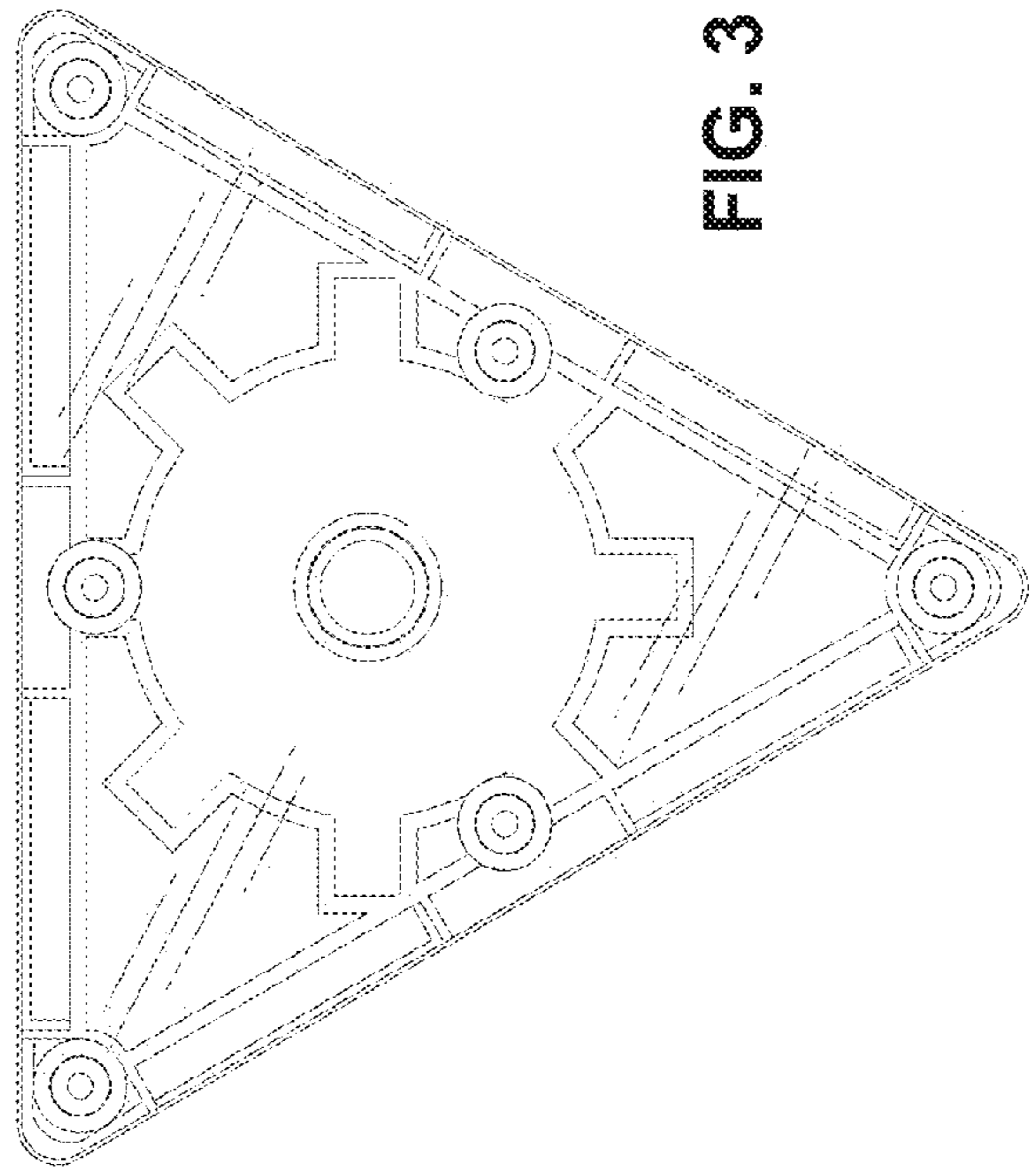


FIG. 3

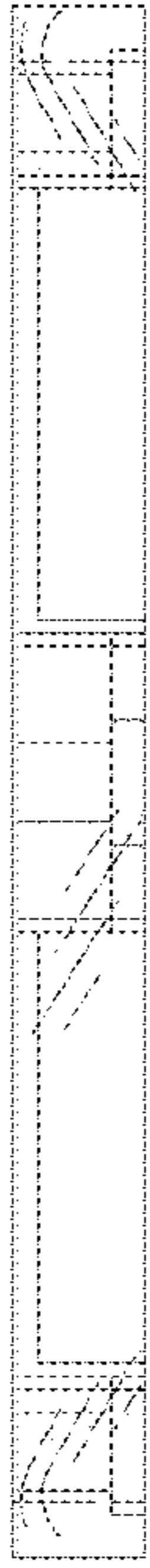


FIG. 4

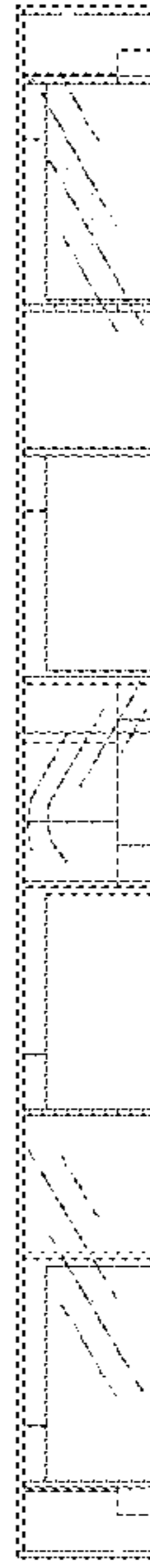


FIG. 5

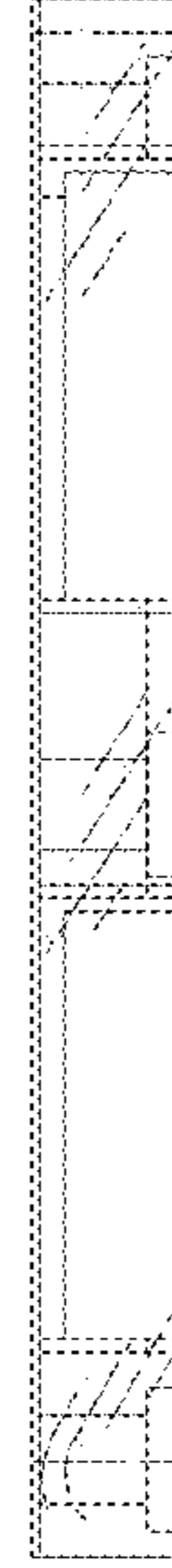


FIG. 6

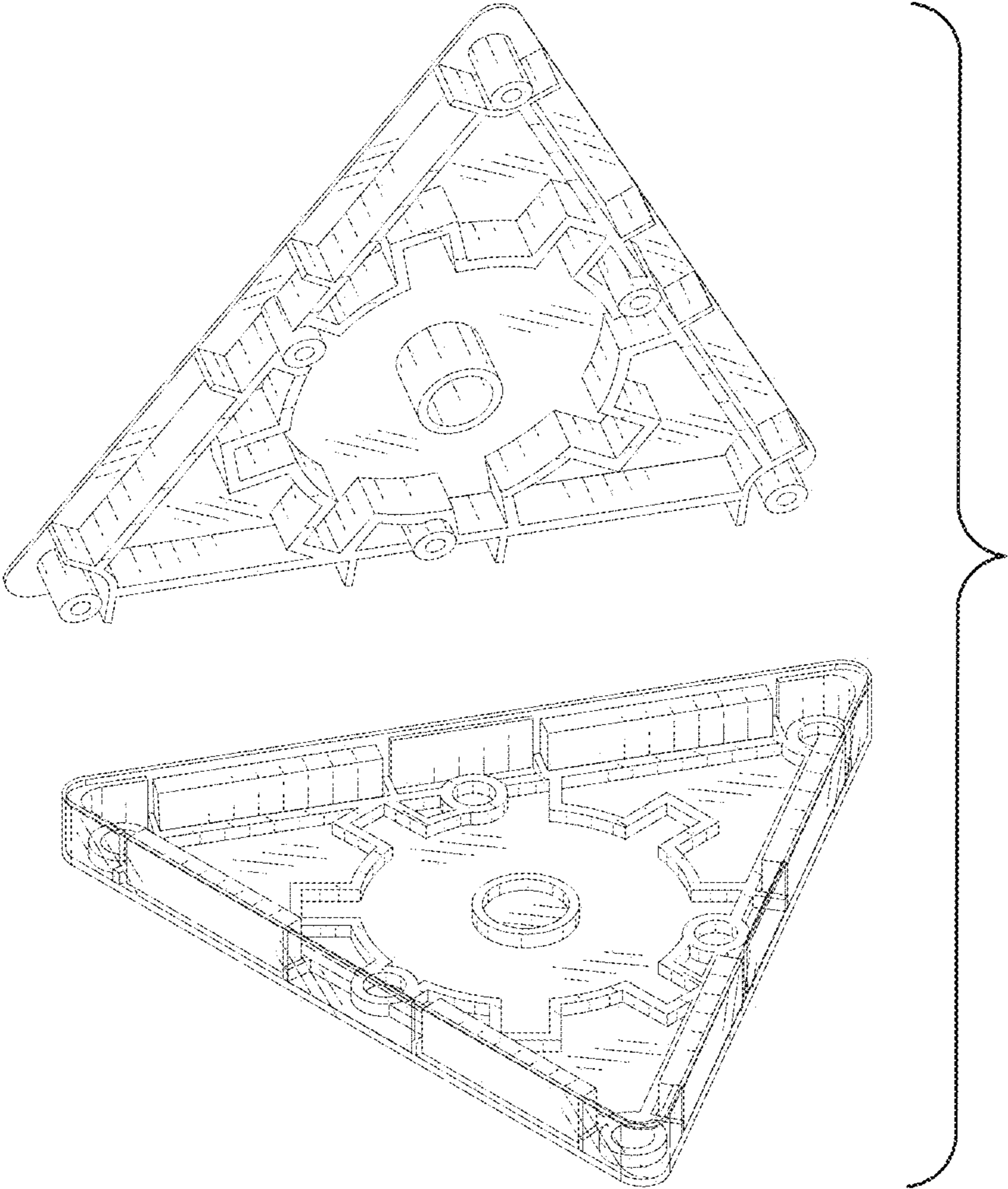


FIG. 7