

US0D1016909S

(12) **United States Design Patent** (10) **Patent No.:** **US D1,016,909 S**
Smit (45) **Date of Patent:** **** Mar. 5, 2024**

(54) **DRAWING TOOL**

(71) Applicant: **Ryan Alexander Smit**, Virginia Beach, VA (US)

(72) Inventor: **Ryan Alexander Smit**, Virginia Beach, VA (US)

(**) Term: **15 Years**

(21) Appl. No.: **29/757,908**

(22) Filed: **Nov. 10, 2020**

(51) **LOC (14) Cl.** **19-06**

(52) **U.S. Cl.**
USPC **D19/37**

(58) **Field of Classification Search**
USPC D19/37-40, 115-185; D14/431
CPC G06F 3/0383; G06F 3/03545; F41J 5/08
See application file for complete search history.

(56) **References Cited**

U.S. PATENT DOCUMENTS

361,532	A *	4/1887	Lewis	B43L 7/005
					33/418
1,379,124	A *	5/1921	Read	B43L 7/007
					33/472
D246,981	S *	1/1978	Yamaguchi	D19/38
D248,864	S *	8/1978	Yen	D10/62
D322,630	S *	12/1991	Ching-Guang	D19/38
D420,702	S *	2/2000	Chang	D19/133
D469,804	S *	2/2003	Bardet	D19/38
D564,585	S *	3/2008	Wertime	D19/133
D819,125	S *	5/2018	Racamier	D19/38
D902,309	S *	11/2020	Lipscomb	D19/108
D941,147	S *	1/2022	Wang	D9/446
2019/0070891	A1 *	3/2019	Kurani	G06F 3/0346
2023/0147660	A1 *	5/2023	Smit	F41J 5/08
					33/27.03

OTHER PUBLICATIONS

Stanley FMHT16579 Fatmax Chisel Compass, Amazon, published May 16, 2016, retrieved Jun. 23, 2023, 29757908—<https://shorturl.at/gPWZ5> (Year: 2016).*

* cited by examiner

Primary Examiner — Nicole C Shiflet
Assistant Examiner — Danielle Nichole Bowly

(57) **CLAIM**

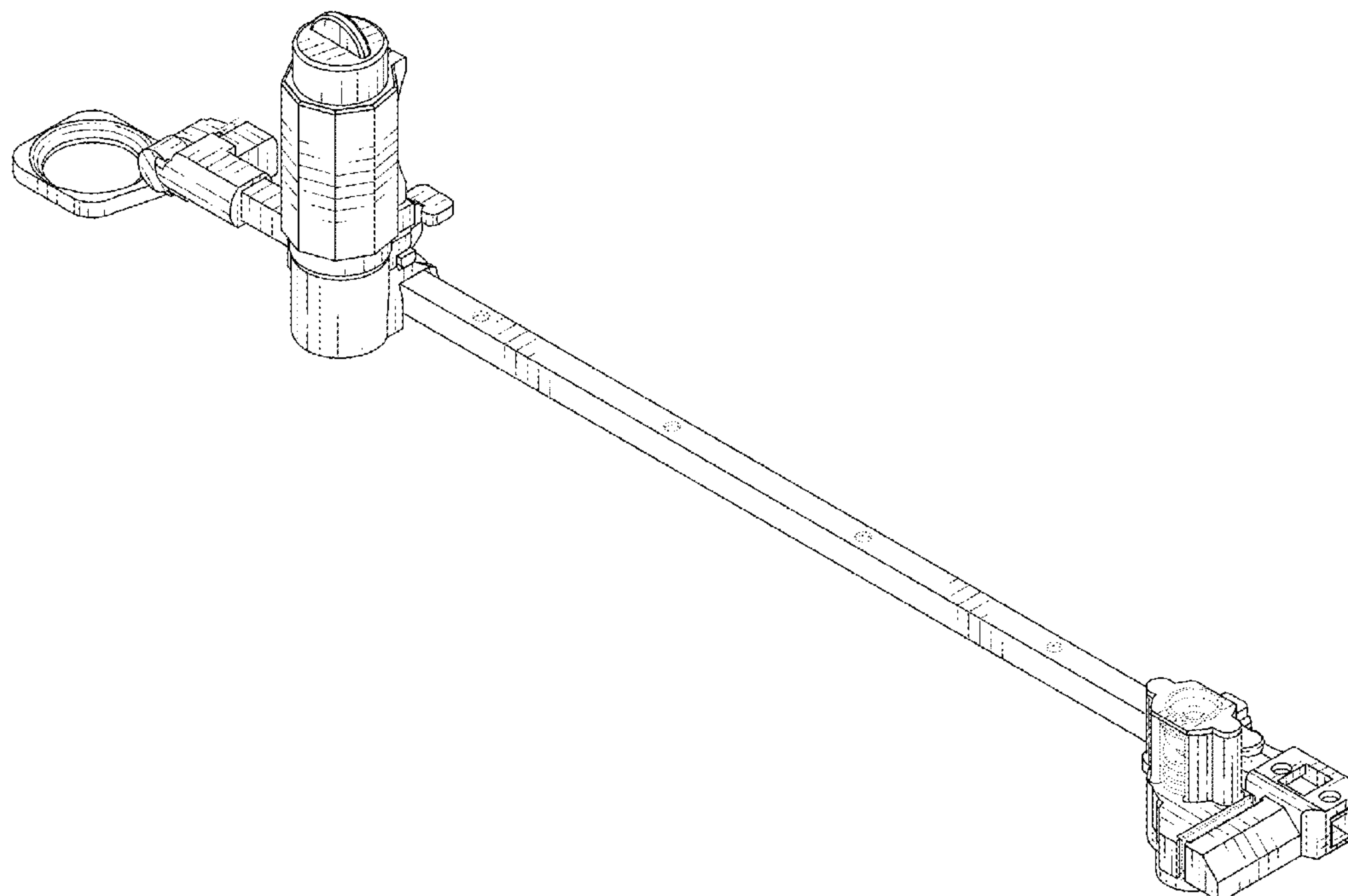
The ornamental design for a drawing tool, as shown and described.

DESCRIPTION

FIG. 1 is a top-front-left perspective view of a drawing tool showing my new design; FIG. 2 is a top-front-right perspective view thereof; FIG. 3 is a top-rear-left perspective view thereof; FIG. 4 is a top-rear-right perspective view thereof; FIG. 5 is a bottom-front-right perspective view thereof; FIG. 6 is a bottom-rear-left perspective view thereof; FIG. 7 is a front elevated view thereof; FIG. 8 is a rear elevated view thereof; FIG. 9 is a top plan view thereof; FIG. 10 is a bottom plan view thereof; FIG. 11 is a right side elevation view thereof; and, FIG. 12 is a left side elevation view thereof.

The broken lines showing of orifices in FIGS. 1-10, the broken lines showing of a spring mechanism in FIGS. 1-8 and 12, and the broken lines showing of hinges in FIGS. 1-12 are included for the purpose of showing environmental structure and form no part of the claimed design.

1 Claim, 12 Drawing Sheets



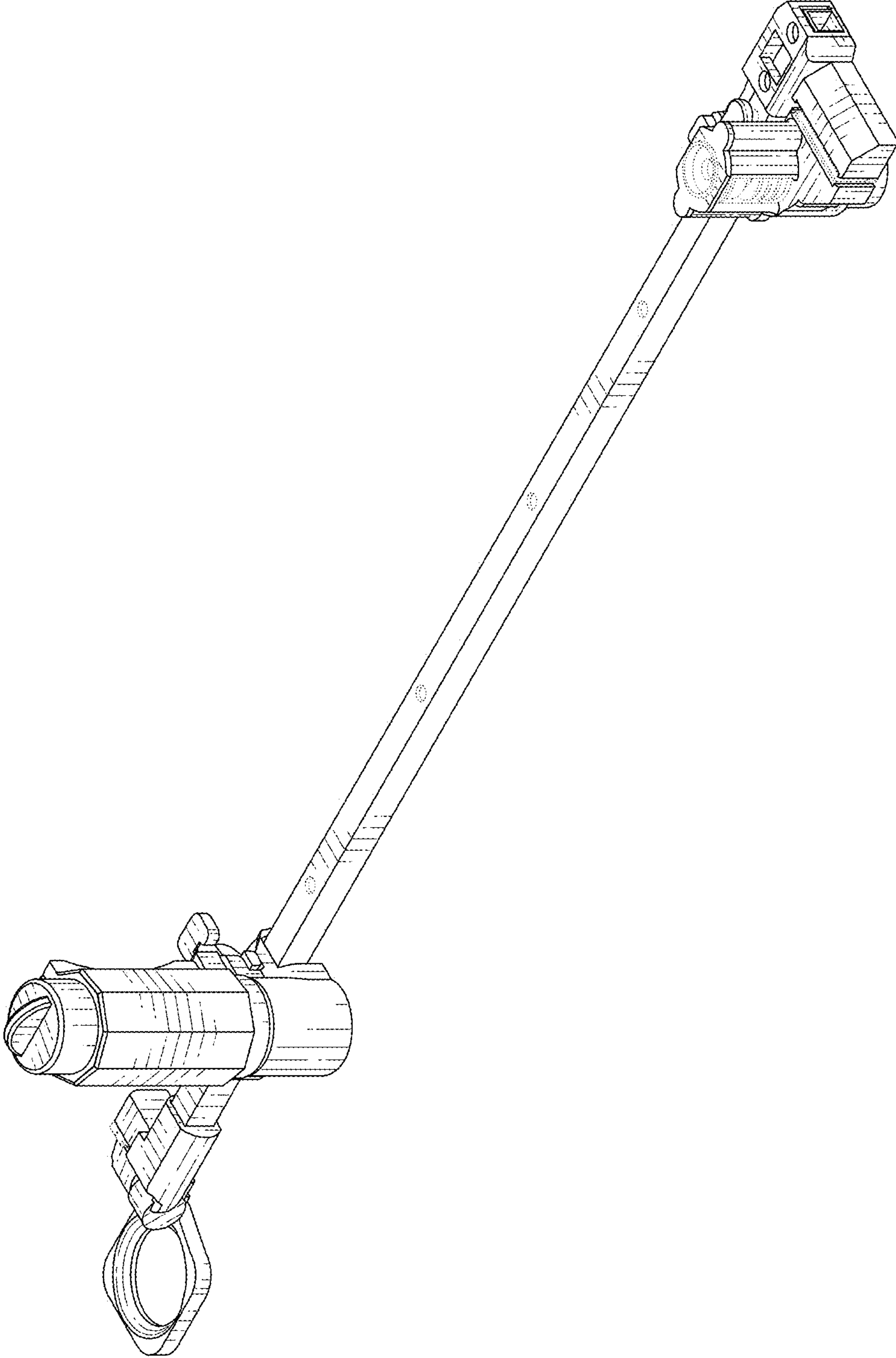


FIG. 1

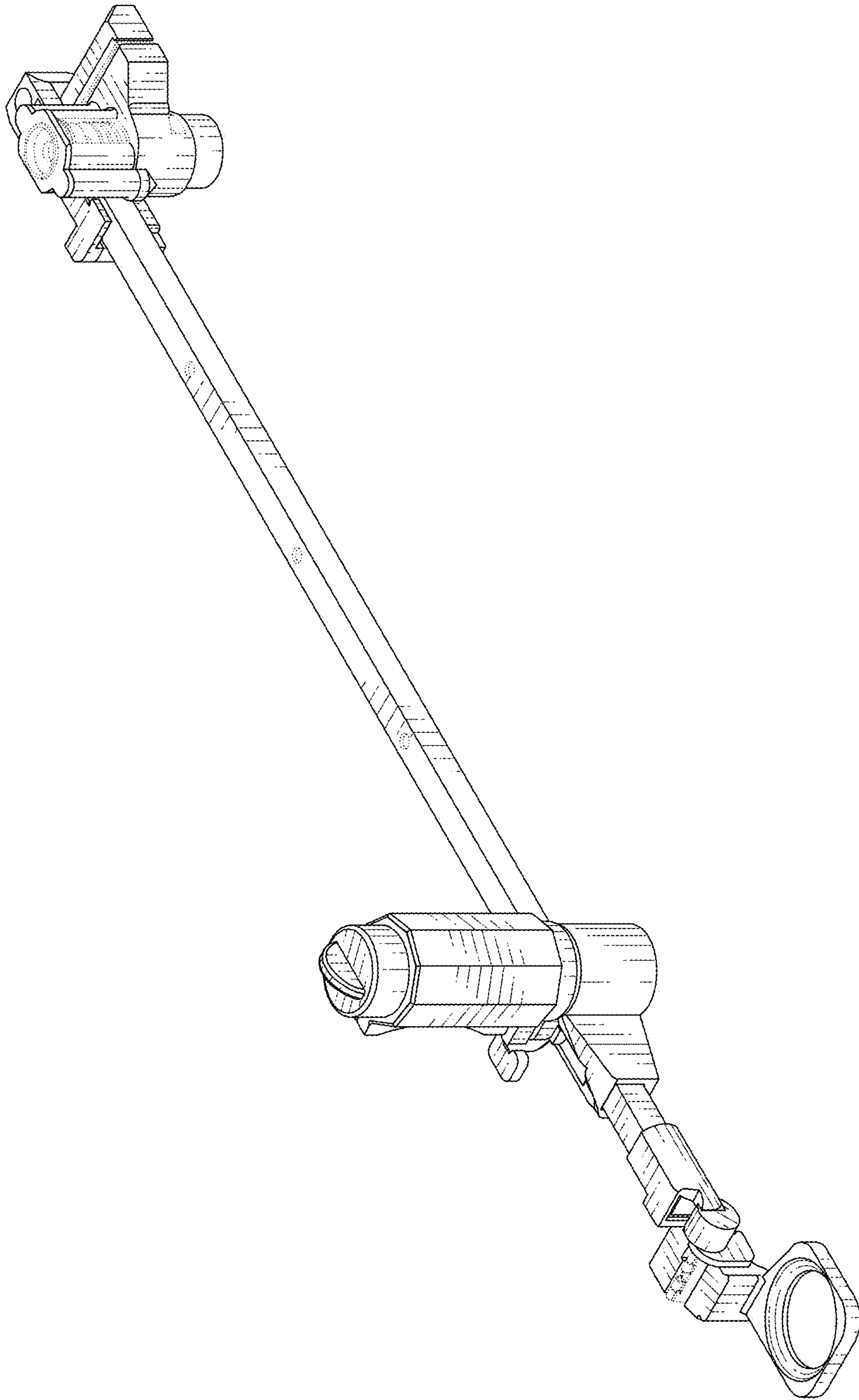


FIG. 2

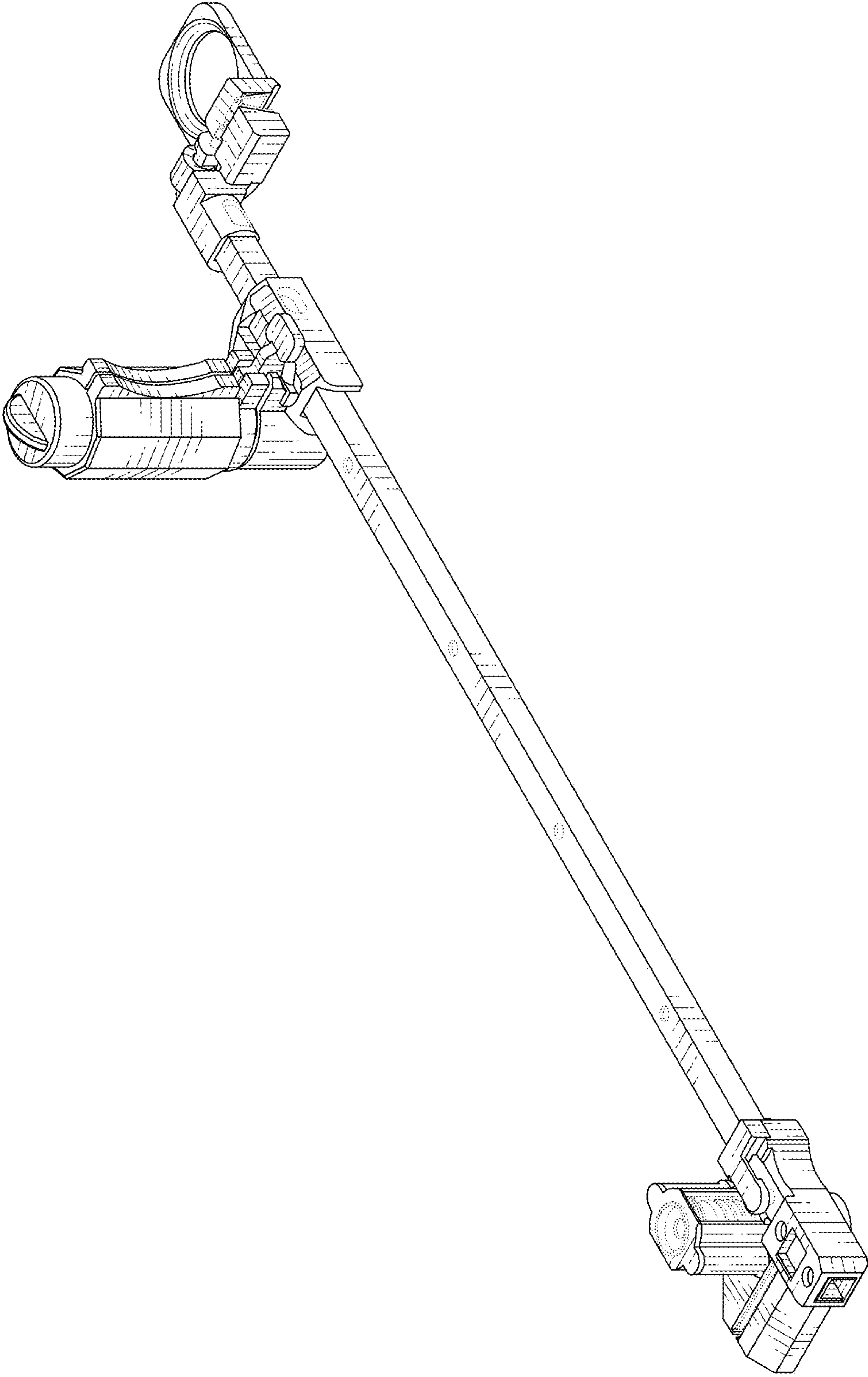


FIG. 3

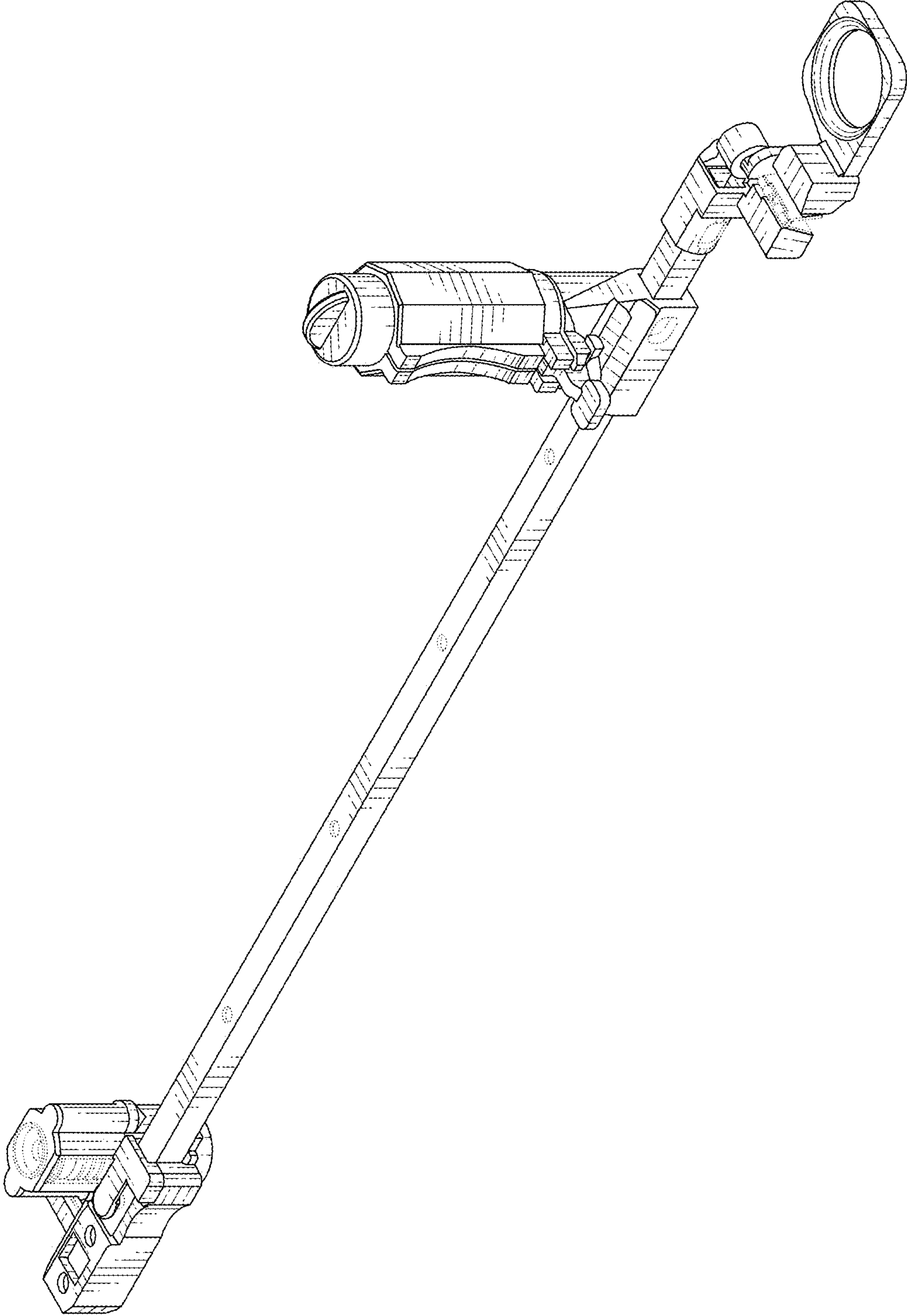


FIG. 4

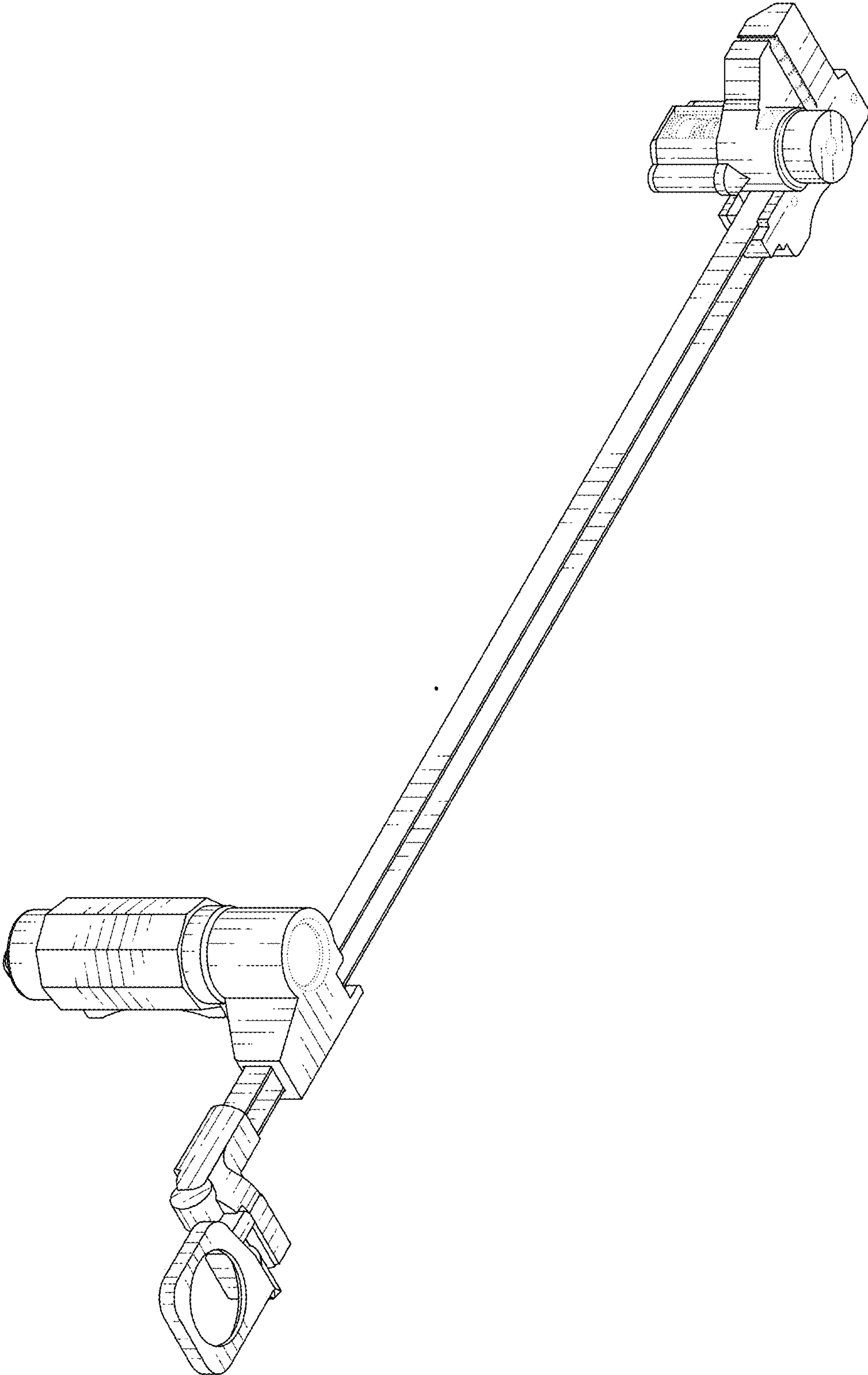


FIG. 5

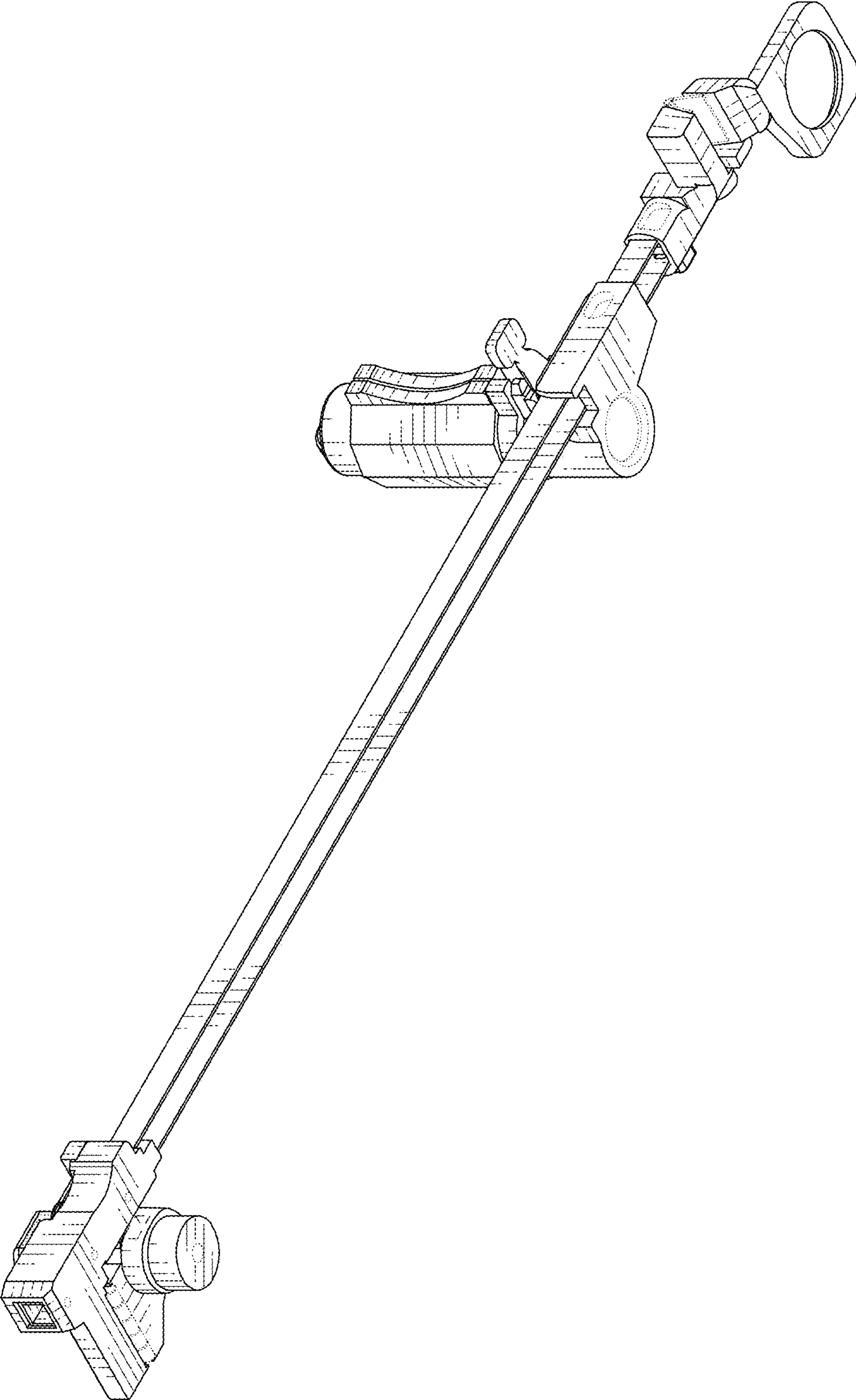


FIG. 6

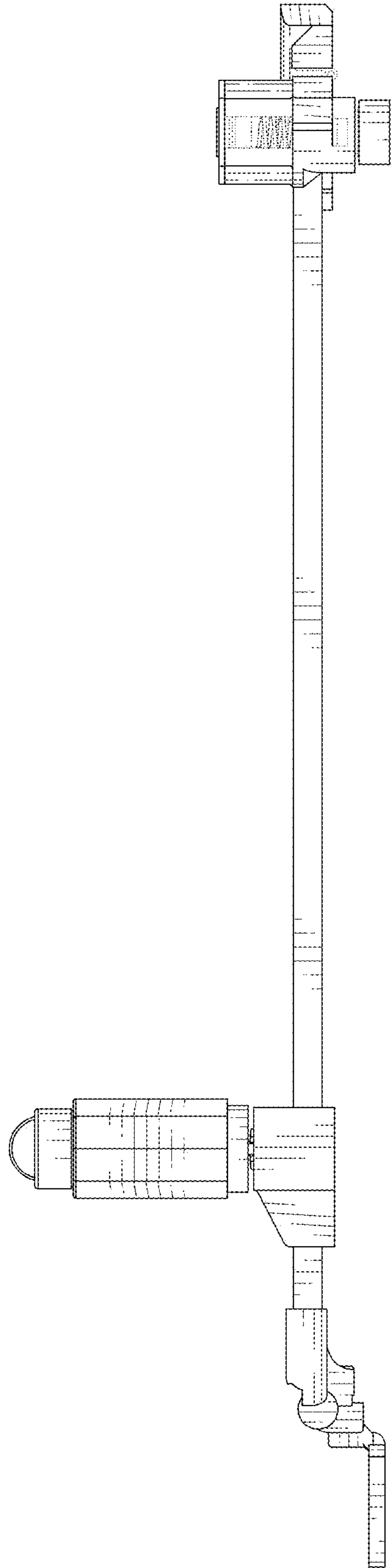


FIG. 7

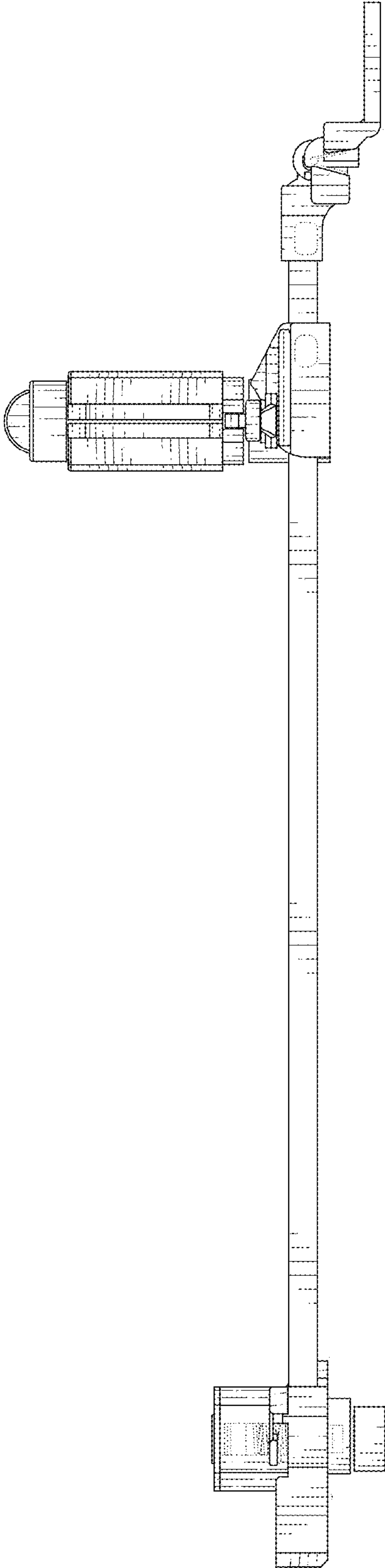


FIG. 8

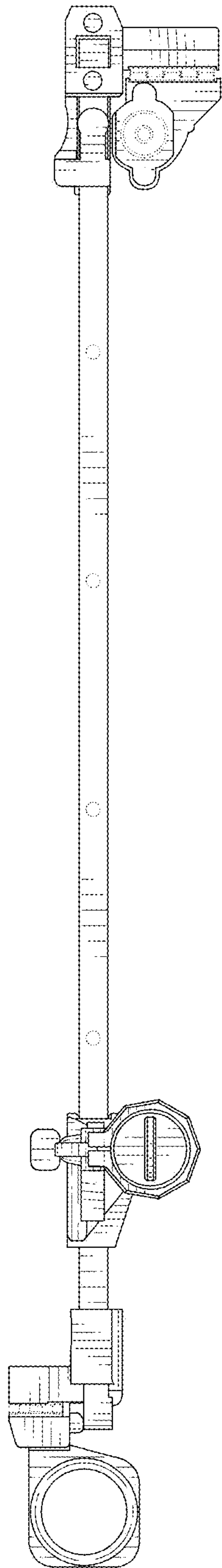


FIG. 9

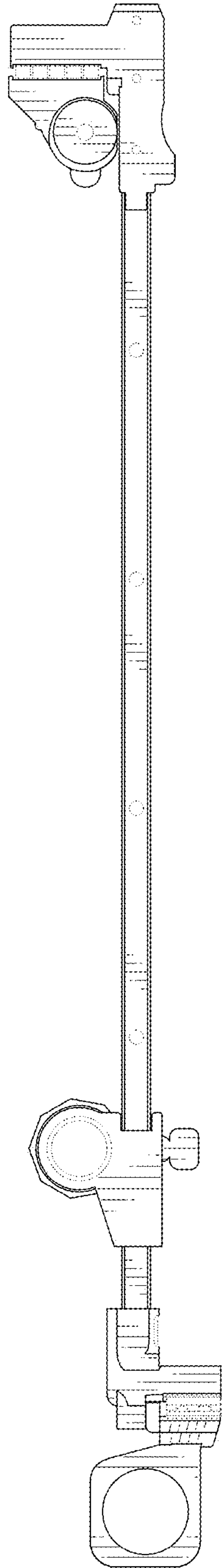


FIG. 10

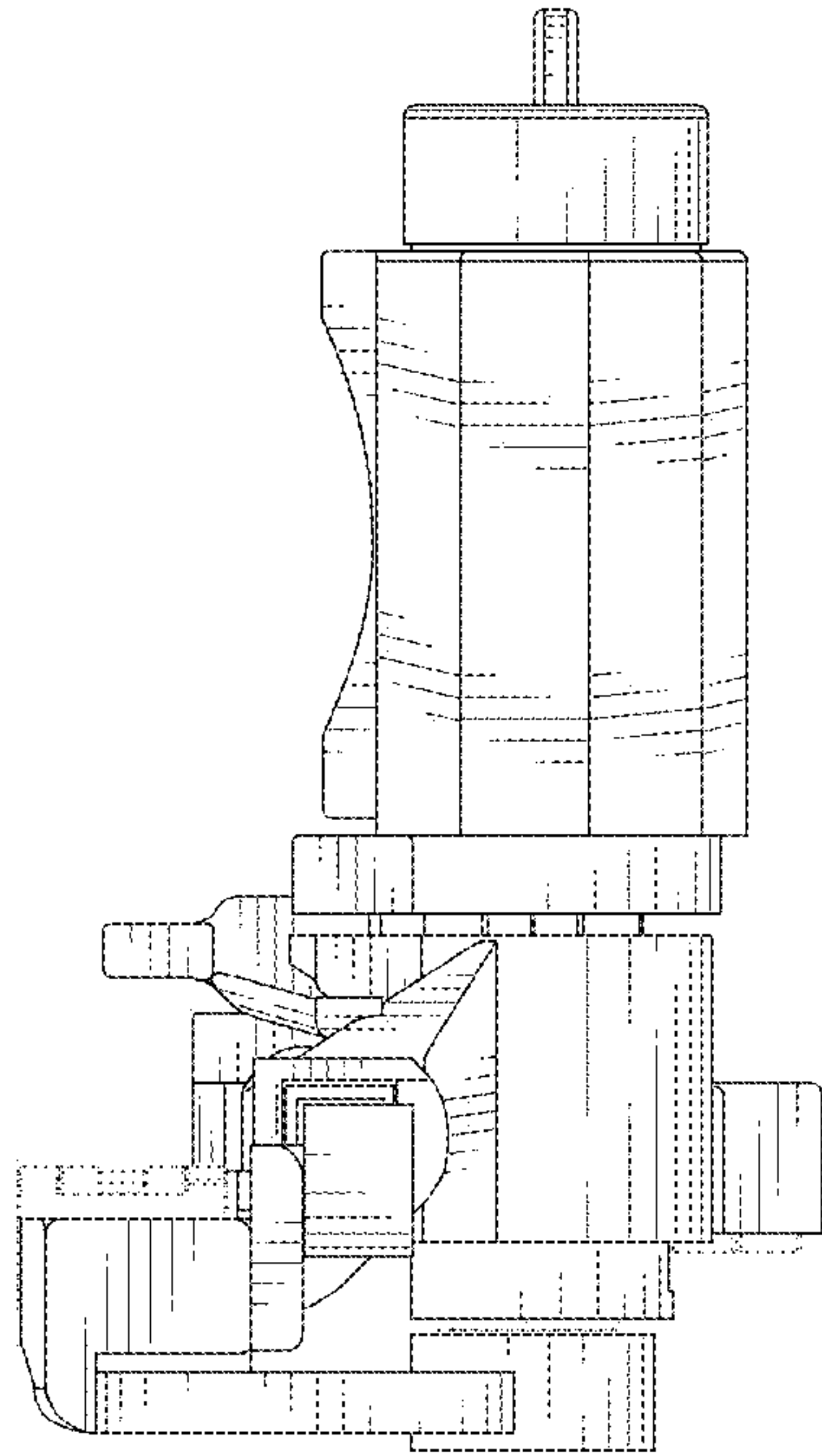


FIG. 11

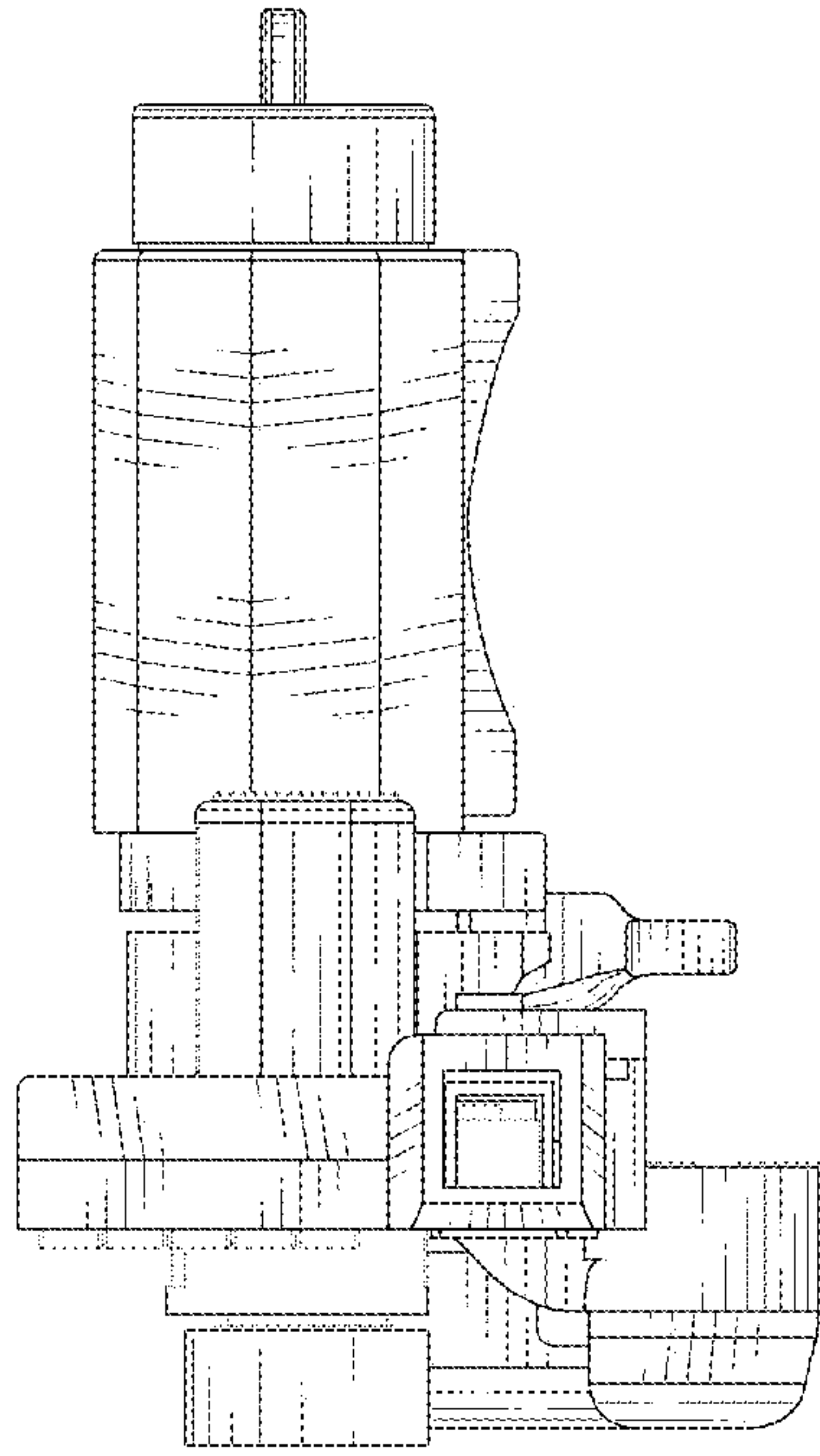


FIG. 12