



US0D1016888S

(12) **United States Design Patent**
Li et al.

(10) **Patent No.: US D1,016,888 S**

(45) **Date of Patent: ** Mar. 5, 2024**

(54) **EXTERNAL LENS FOR MOBILE TERMINAL**

(71) Applicant: **GUANGDONG SIRUI OPTICAL CO., LTD.**, Zhongshan (CN)

(72) Inventors: **Jie Li**, Zhongshan (CN); **Hang Chen**, Zhongshan (CN)

(73) Assignee: **Guangdong Sirui Optical Co., Ltd.**, Zhongshan (CN)

(**) Term: **15 Years**

(21) Appl. No.: **29/697,726**

(22) Filed: **Jul. 10, 2019**

(30) **Foreign Application Priority Data**

May 21, 2019 (CN) 201930250252.3

(51) **LOC (14) Cl.** **16-05**

(52) **U.S. Cl.**
USPC **D16/219**; D16/218

(58) **Field of Classification Search**
USPC D16/130, 134, 200, 202–208, 212, 218, D16/219
CPC G03B 15/03; G03B 17/02; G03B 17/04; G03B 17/56; G03B 19/04; H04N 5/2251; H04N 5/2252; H04N 5/2253; H04N 5/2254; H04N 2101/00
See application file for complete search history.

(56) **References Cited**

U.S. PATENT DOCUMENTS

D730,422 S * 5/2015 Kim D16/218
D730,969 S * 6/2015 O'Neill D16/219

D739,452 S * 9/2015 Adams D16/208
D743,472 S * 11/2015 Tanifuji D16/203
D745,589 S * 12/2015 Lee D16/218
D760,312 S * 6/2016 Lee D16/218
D785,068 S * 4/2017 Patsis D16/218
D858,603 S * 9/2019 Ye D16/203
D876,517 S * 2/2020 Miyamoto D16/208
D893,576 S * 8/2020 Kyte D16/202
D918,284 S * 5/2021 Barros H04N 5/23241
D16/208
2012/0236425 A1 * 9/2012 O'Neill G02B 7/002
359/827
2013/0177304 A1 * 7/2013 Chapman G03B 17/565
396/533

* cited by examiner

Primary Examiner — Ramzi Almatrahi

(74) *Attorney, Agent, or Firm* — Loeb & Loeb LLP

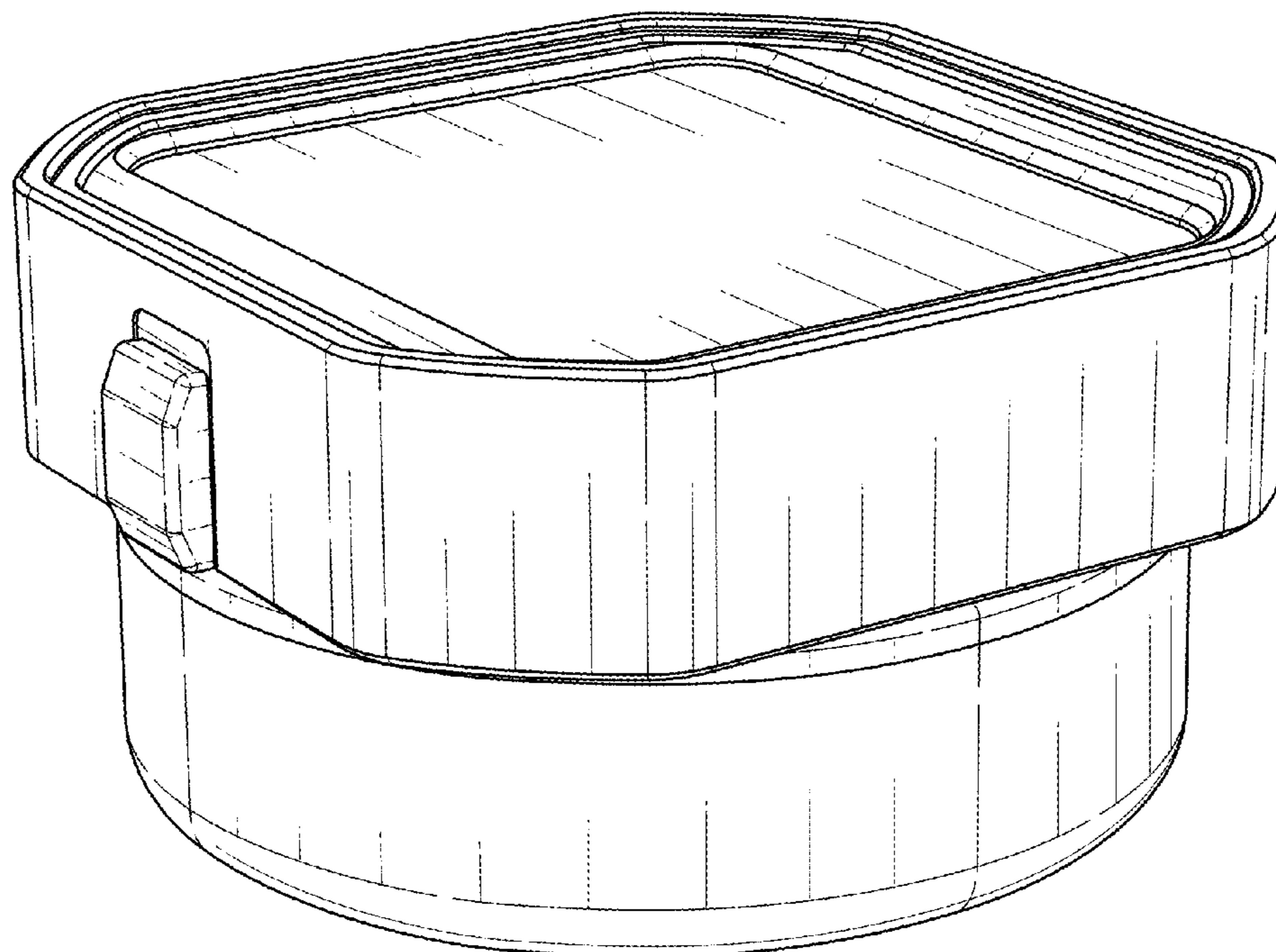
(57) **CLAIM**

The ornamental design for an external lens for mobile terminal, as shown and described.

DESCRIPTION

FIG. 1 is a perspective view of an external lens for mobile terminal showing our new design;
FIG. 2 is a front view thereof;
FIG. 3 is a rear view thereof;
FIG. 4 is a right side view thereof;
FIG. 5 is a left side view thereof;
FIG. 6 is a bottom view thereof; and,
FIG. 7 is a top view thereof.
The broken lines depict portions of the external lens for mobile terminal in which the design is embodied that form no part of the claimed design.

1 Claim, 7 Drawing Sheets



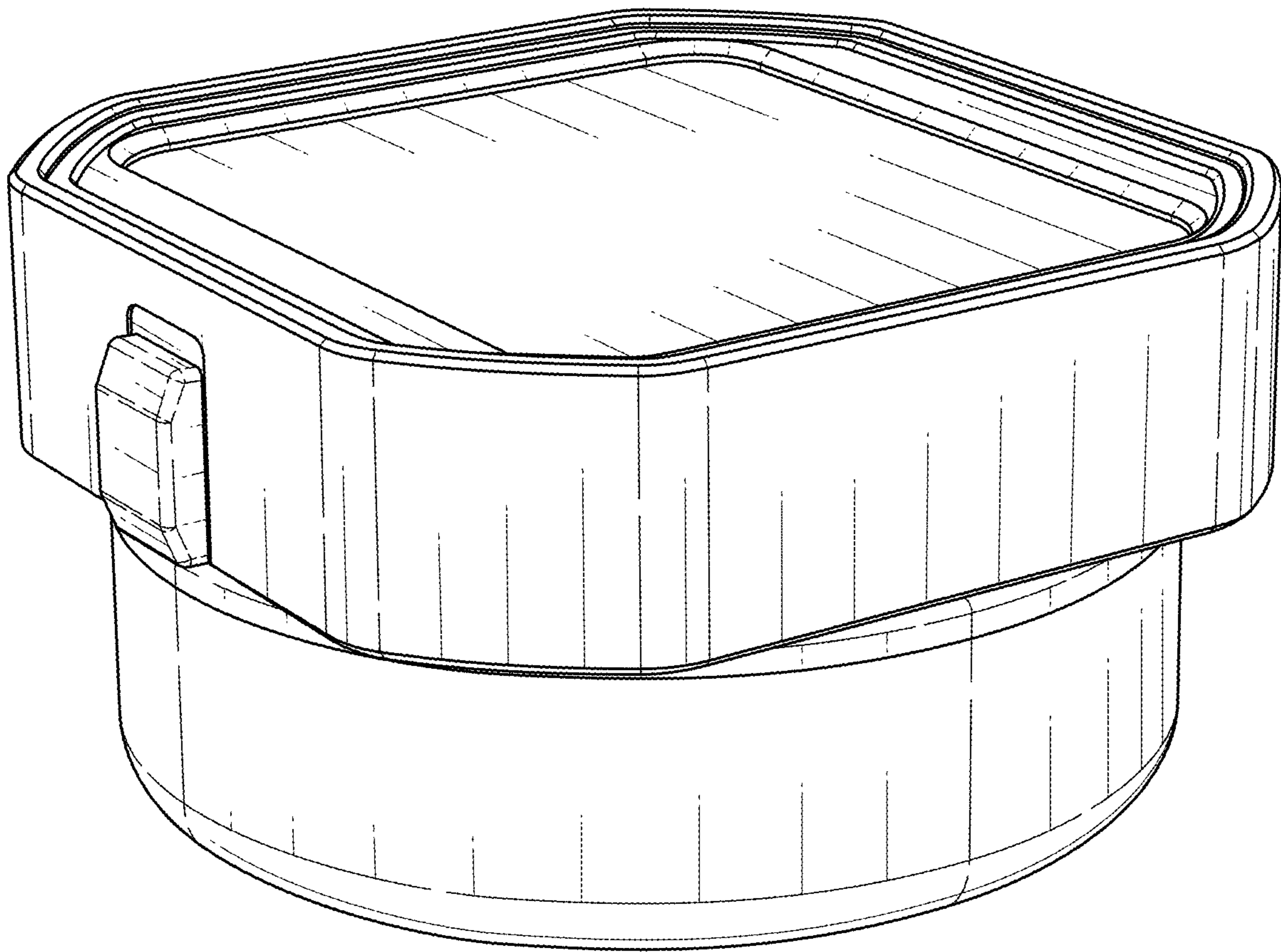


FIG. 1

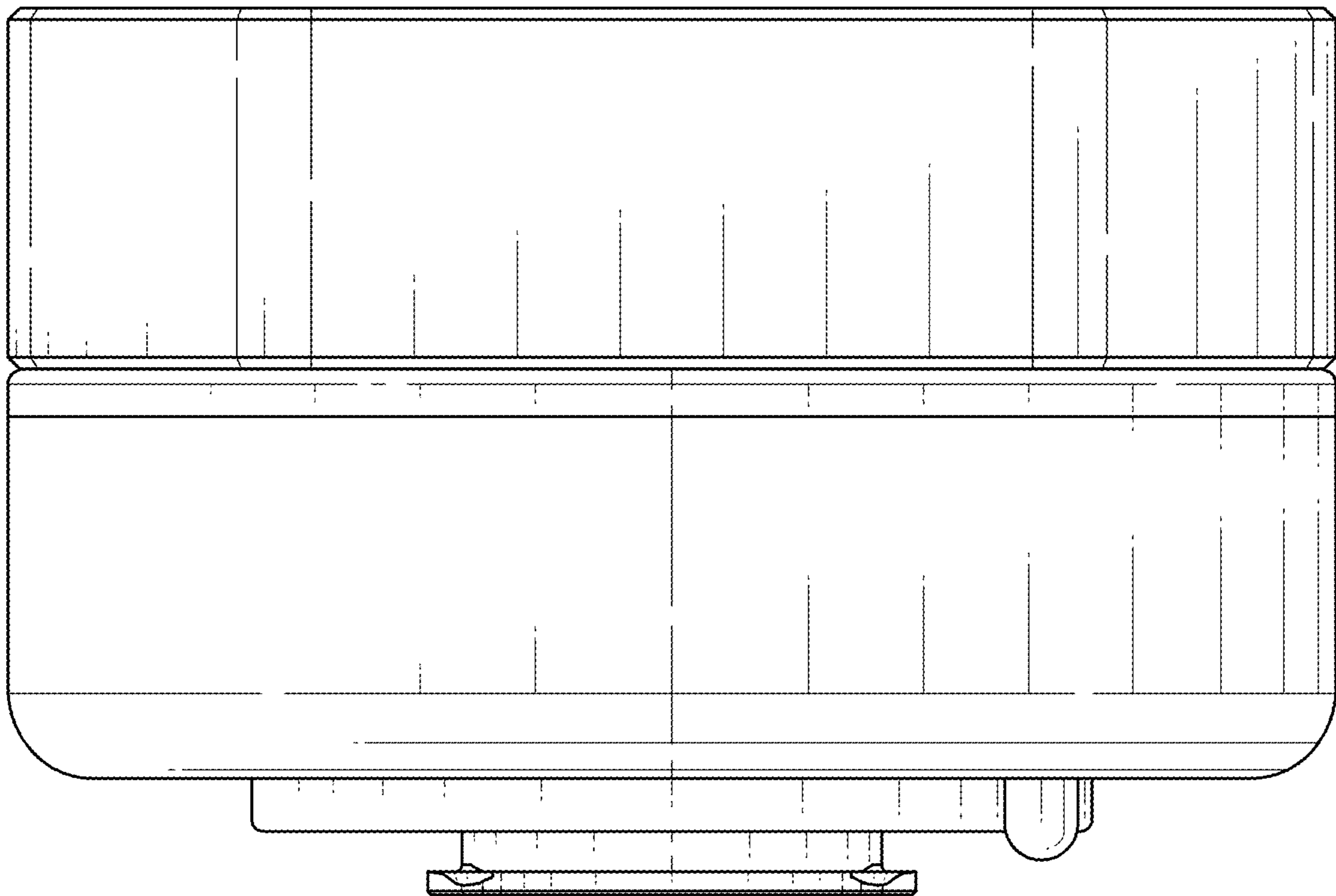


FIG. 2

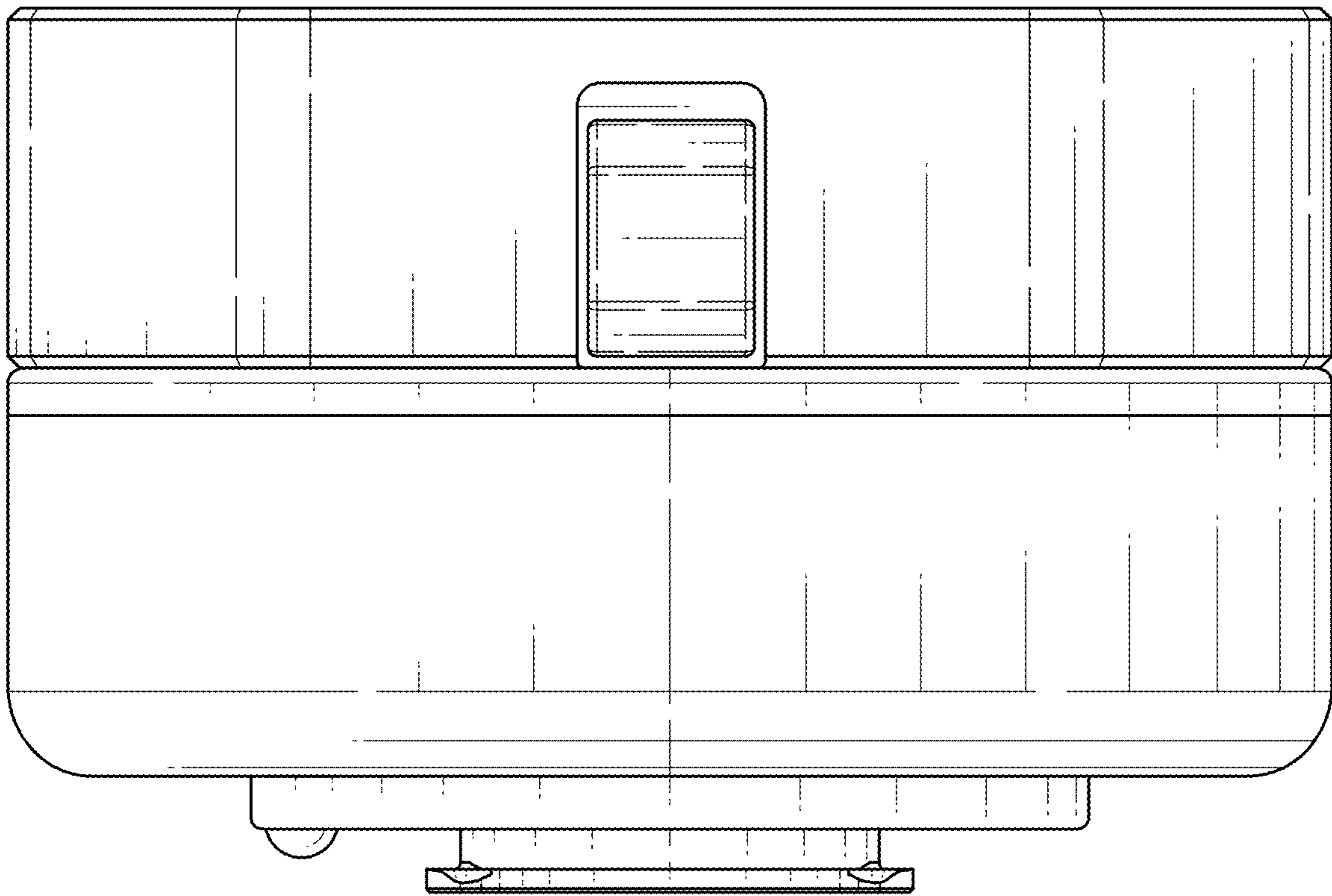


FIG. 3

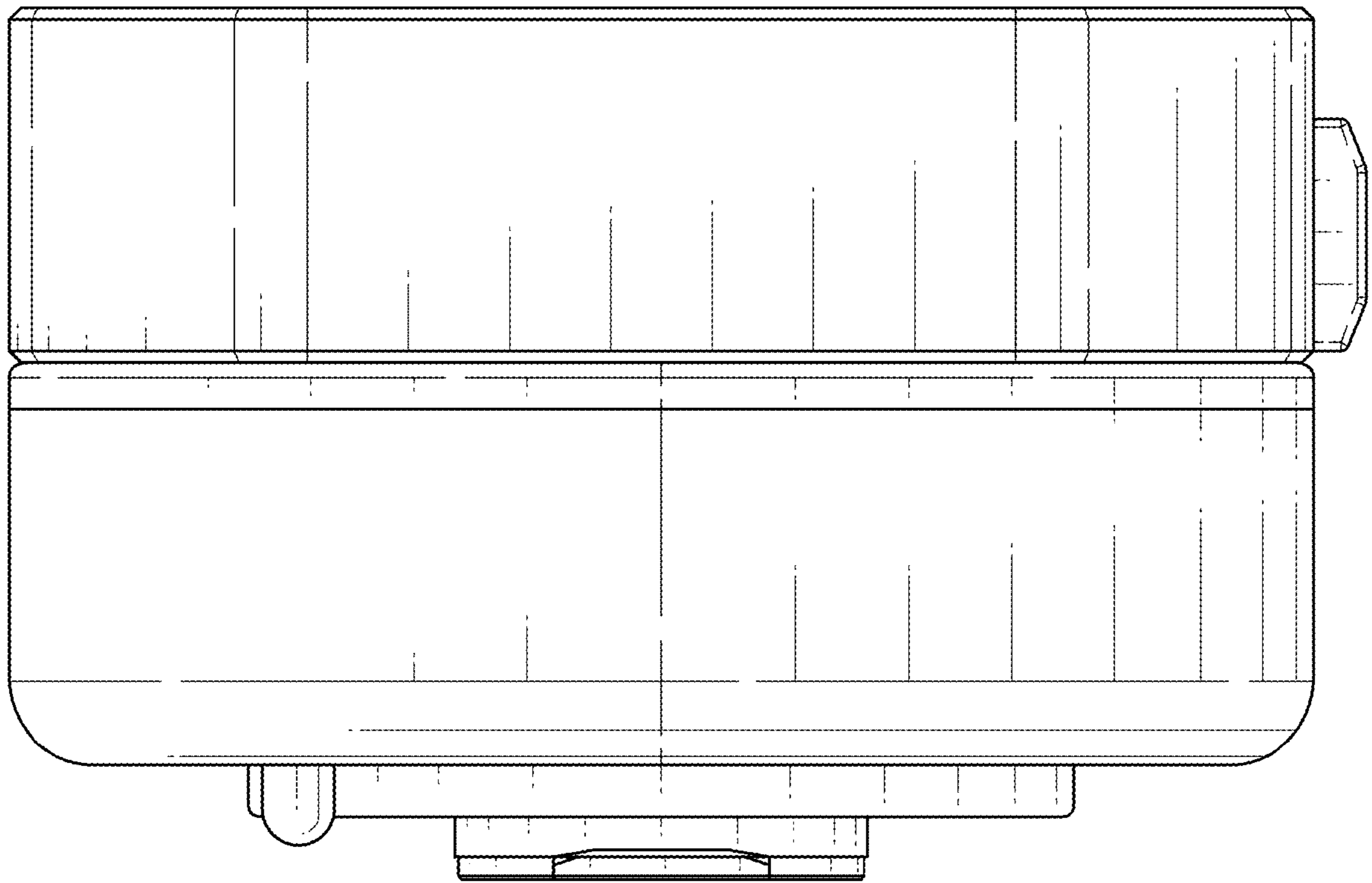


FIG. 4

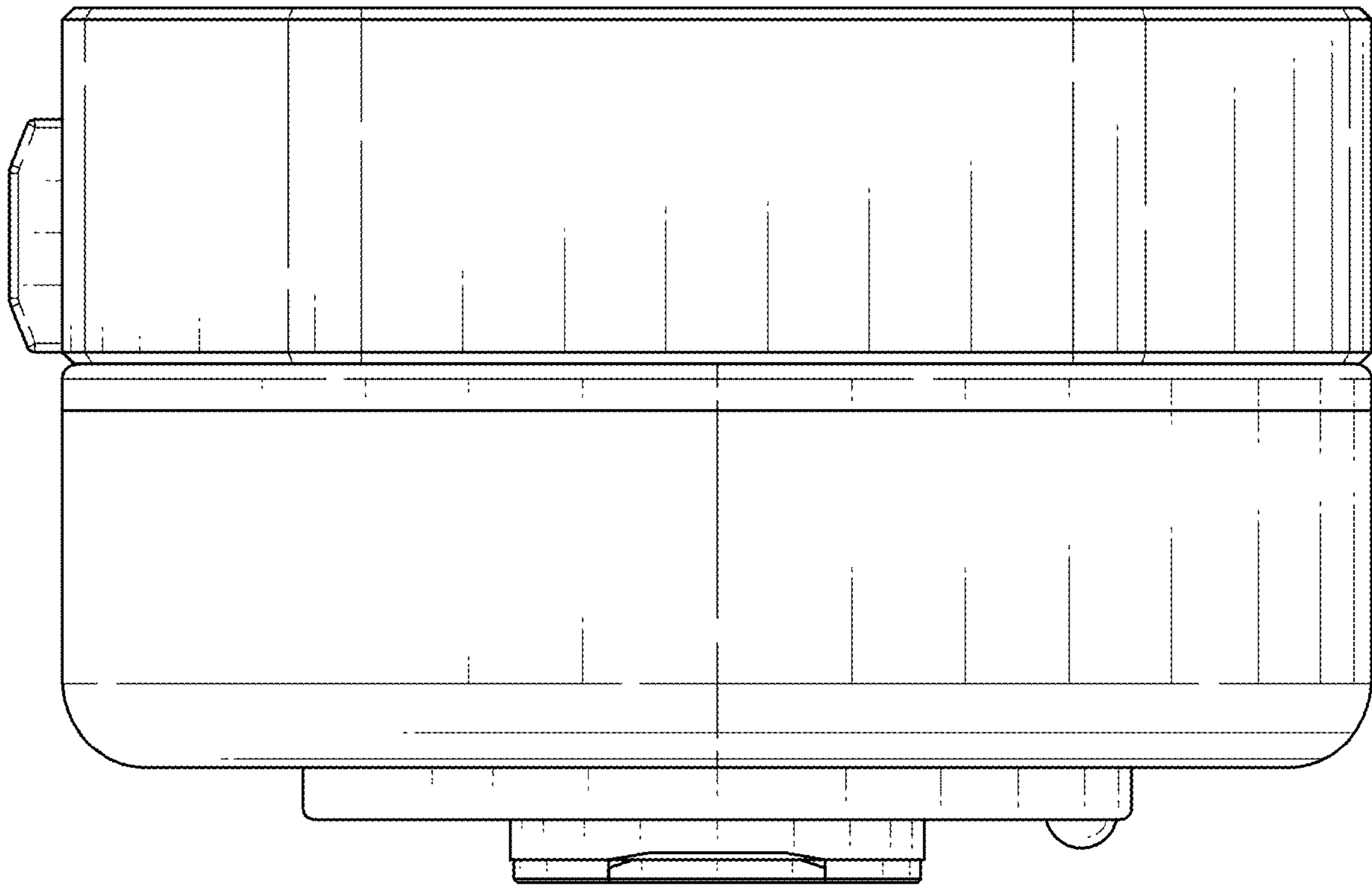


FIG. 5

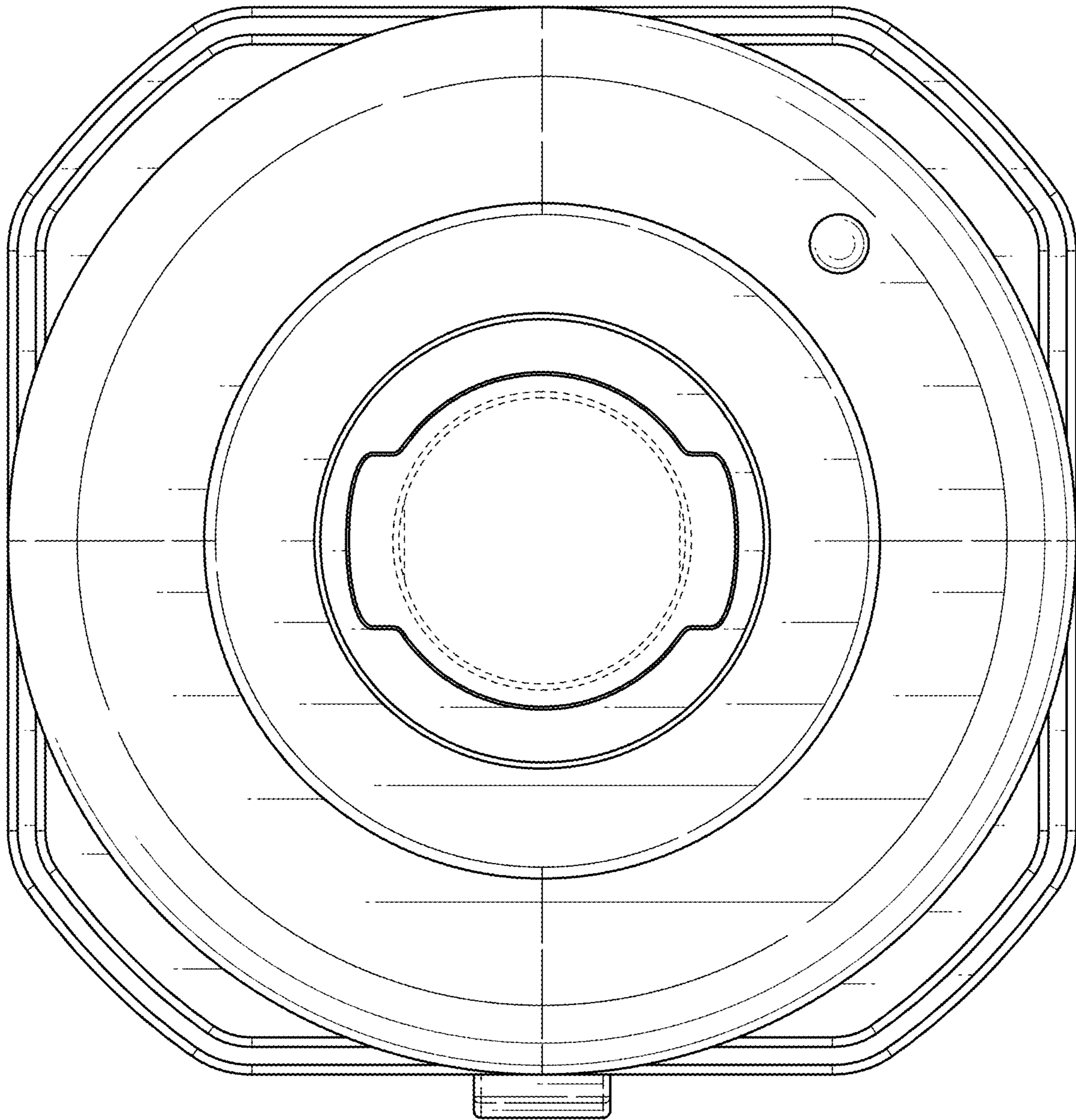


FIG. 6

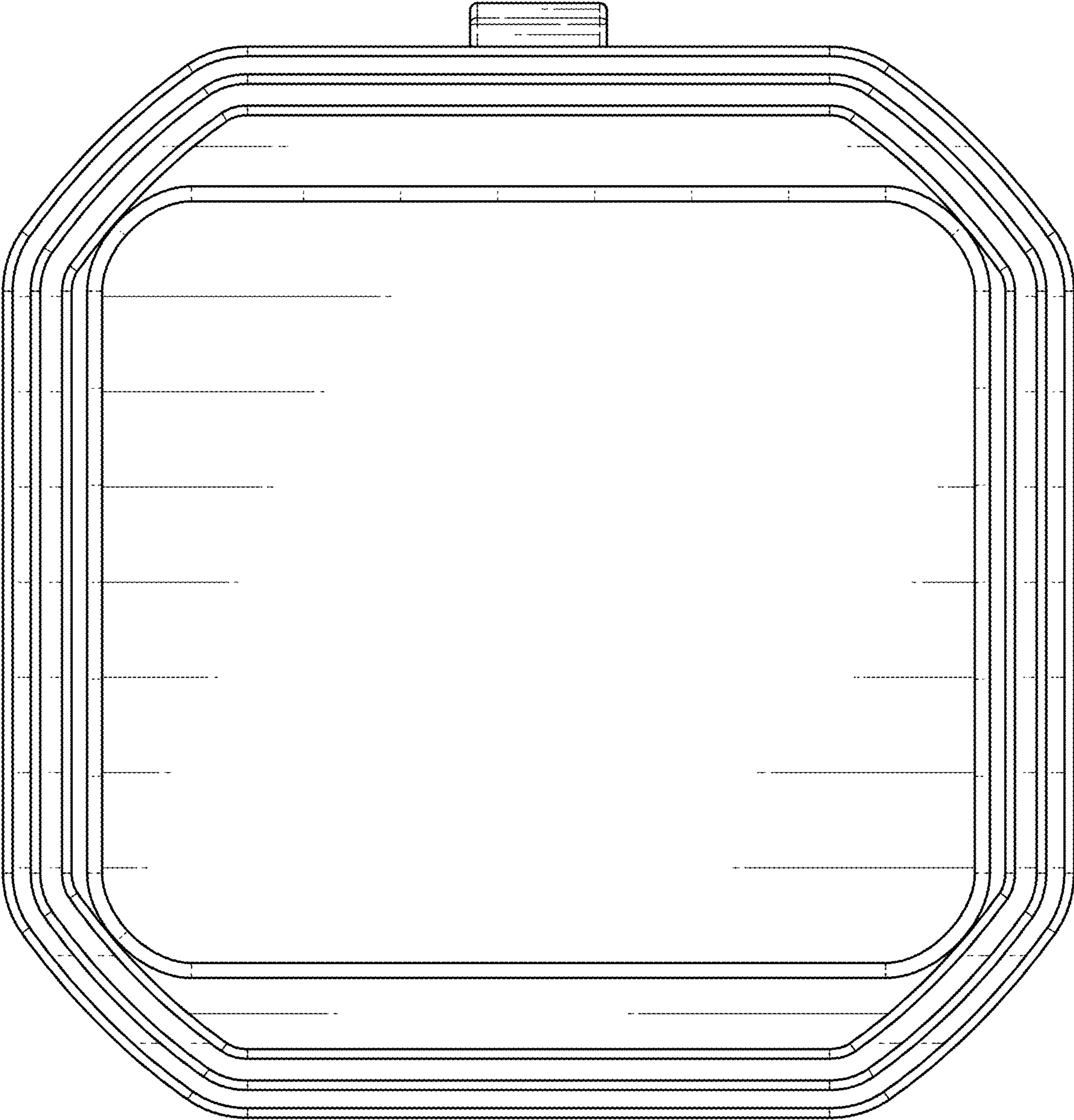


FIG. 7