



US0D1016859S

(12) **United States Design Patent** (10) **Patent No.:** **US D1,016,859 S**
Torimoto et al. (45) **Date of Patent:** **** Mar. 5, 2024**

(54) **PUMP CASING**
(71) Applicant: **Tsurumi Manufacturing Co., Ltd.**,
Osaka (JP)
(72) Inventors: **Yasushi Torimoto**, Kyoto (JP);
Hisakazu Shinya, Tottori (JP); **Yutaka**
Terada, Kyoto (JP)
(**) Term: **15 Years**
(21) Appl. No.: **29/864,292**
(22) Filed: **May 18, 2022**

Related U.S. Application Data

(62) Division of application No. 35/511,051, filed on Sep. 30, 2020 (U.S. filing date under 35 U.S.C. 384), and having an international filing date of Sep. 30, 2020, now Pat. No. Des. 954,111.

(51) **LOC (14) Cl.** **15-02**

(52) **U.S. Cl.**
USPC **D15/7**
CPC **F04D 3/02** (2013.01)

(58) **Field of Classification Search**
USPC D15/7-9, 21, 199; D23/206, 213, 214,
D23/225, 231, 232, 387, 421
CPC F04D 15/0088; F04D 15/0066; F04D
15/0245; F04D 3/00; F04D 3/005; F04D
3/02; F04D 13/06; F04D 29/041; F04D
29/22; F04D 29/60; F04D 29/605; F04B
2203/0208; F04B 17/03; F04B 17/046;
F04B 17/048; F04B 35/04; F04B 43/04;
F04B 43/043

See application file for complete search history.

(56) **References Cited**
U.S. PATENT DOCUMENTS

D372,719 S * 8/1996 Jensen D15/7
D395,317 S * 6/1998 Karlsson D15/7

6,641,140 B1 * 11/2003 Matsumoto F16J 15/3484
277/408
6,821,416 B1 * 11/2004 Kelly A01K 63/00
415/110
D567,189 S * 4/2008 Stiles, Jr. D13/164
D590,420 S * 4/2009 Casalini D15/7
D667,845 S * 9/2012 Moysi D15/7
8,297,599 B2 * 10/2012 Tanaka B01F 23/23342
261/93
D700,213 S * 2/2014 Taniguchi D15/7
D700,214 S * 2/2014 Taniguchi D15/7
D700,624 S * 3/2014 Taniguchi D15/7
D809,021 S * 1/2018 Lüke D15/7
D893,552 S * 8/2020 Mayleben D15/7
D926,821 S * 8/2021 Bookout D15/7
11,219,849 B2 * 1/2022 Nakano B01D 29/46
D946,627 S * 3/2022 Wang D15/7
D948,578 S * 4/2022 Varini D15/7
D954,111 S * 6/2022 Torimoto F04D 3/00
D15/7
D954,751 S * 6/2022 Tanaka F02M 37/14
D15/7
2020/0360961 A1 * 11/2020 Tanaka B05B 17/08

* cited by examiner

Primary Examiner — Richard E Chilcot
(74) *Attorney, Agent, or Firm* — CIONCA IP Law P.C.

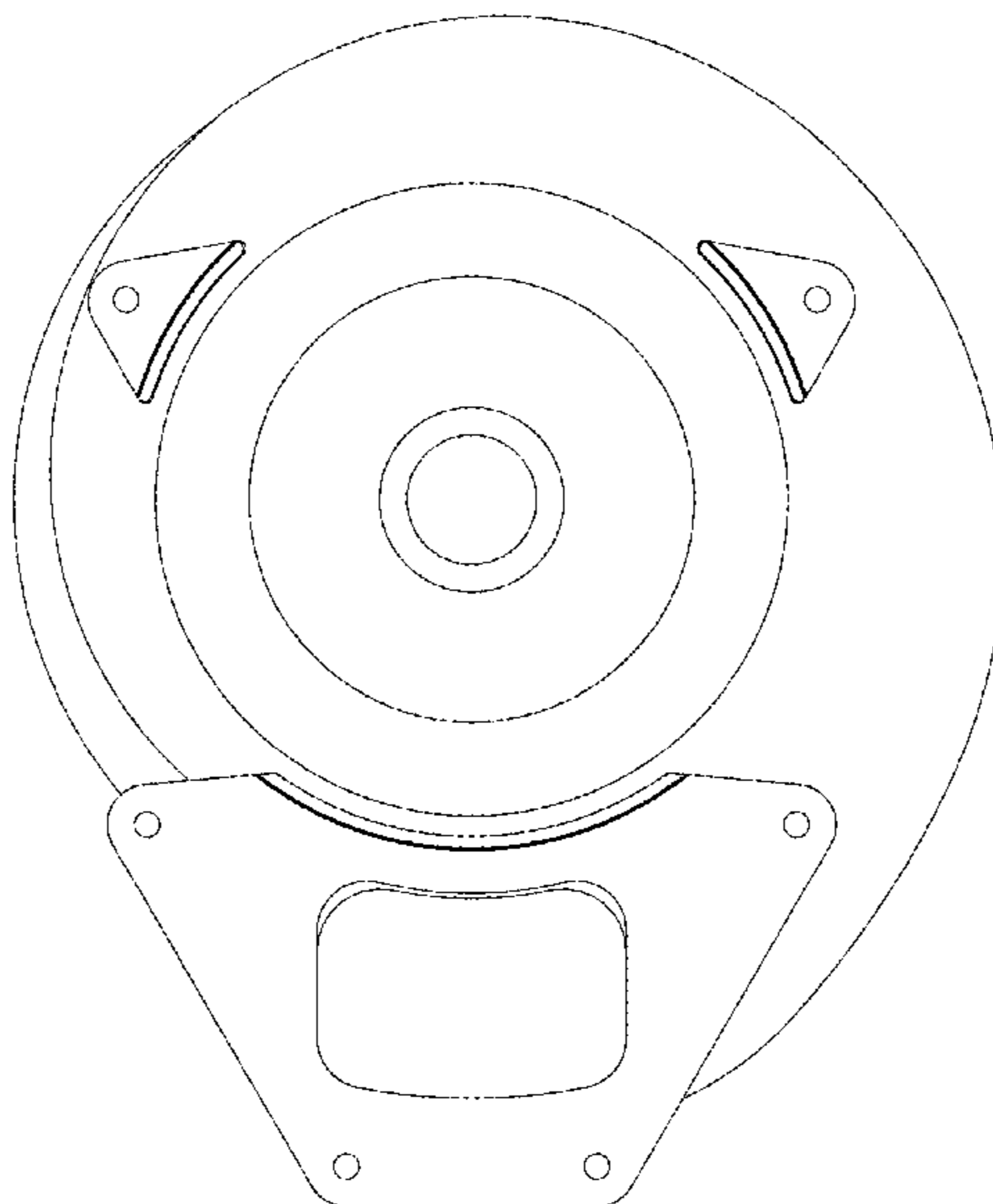
(57) **CLAIM**

The ornamental design for a pump casing, as shown.

DESCRIPTION

FIG. 1 is a top view of a pump casing showing the new design;
FIG. 2 is a bottom view thereof;
FIG. 3 is a front elevation view thereof;
FIG. 4 is rear elevation view thereof;
FIG. 5 is a left side elevation view thereof; and,
FIG. 6 is a right side elevation view thereof.

1 Claim, 6 Drawing Sheets



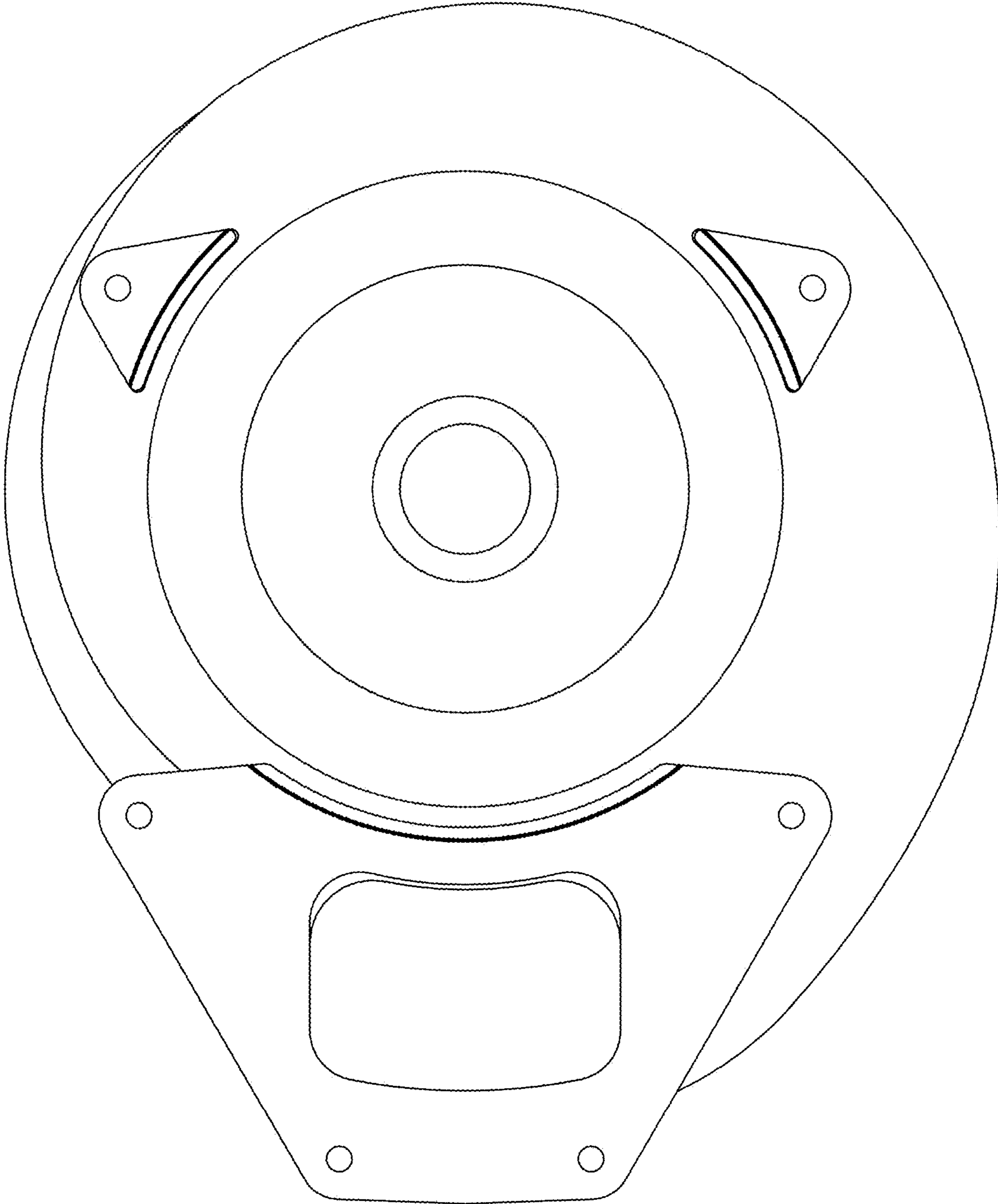


FIG. 1

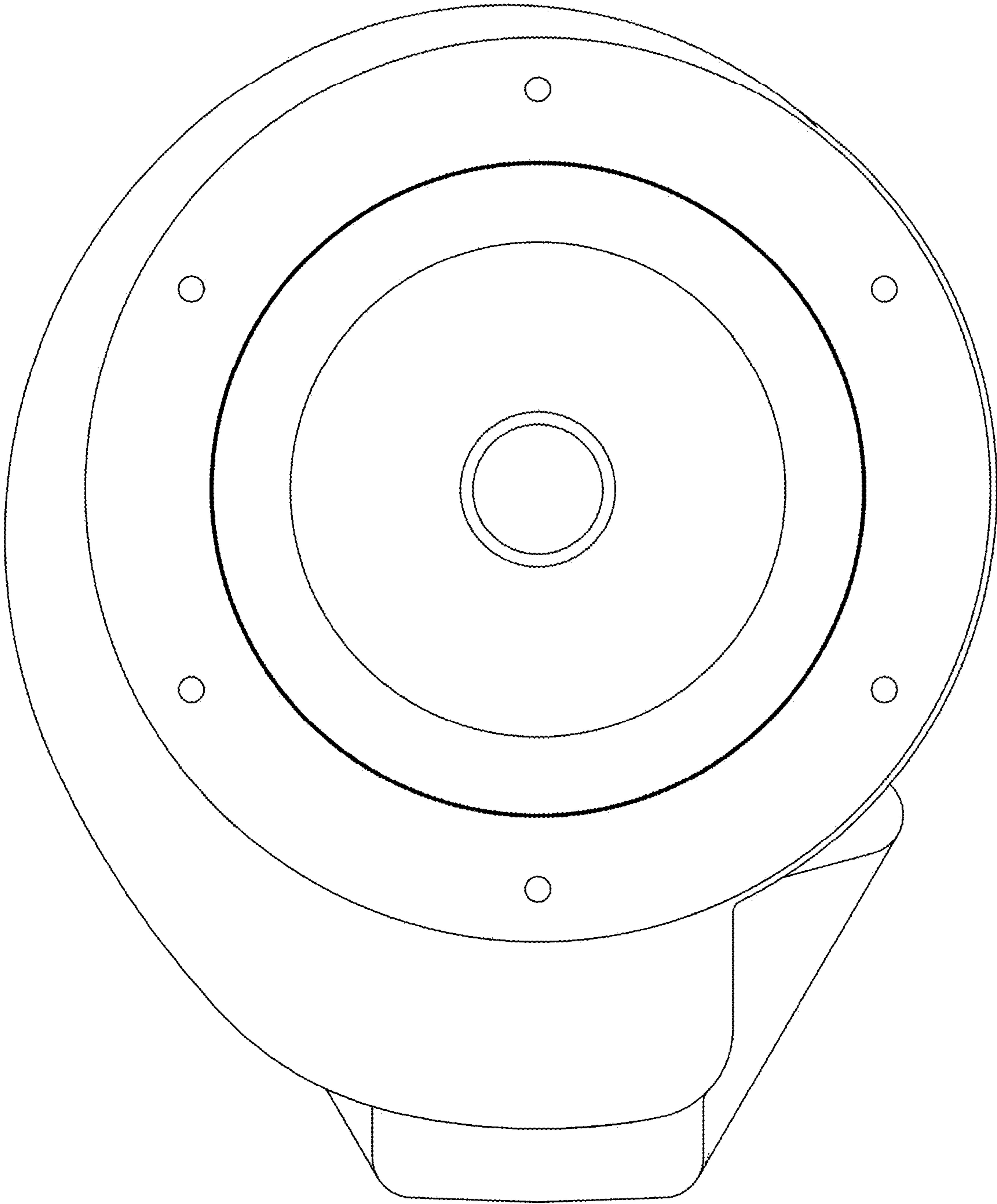


FIG. 2

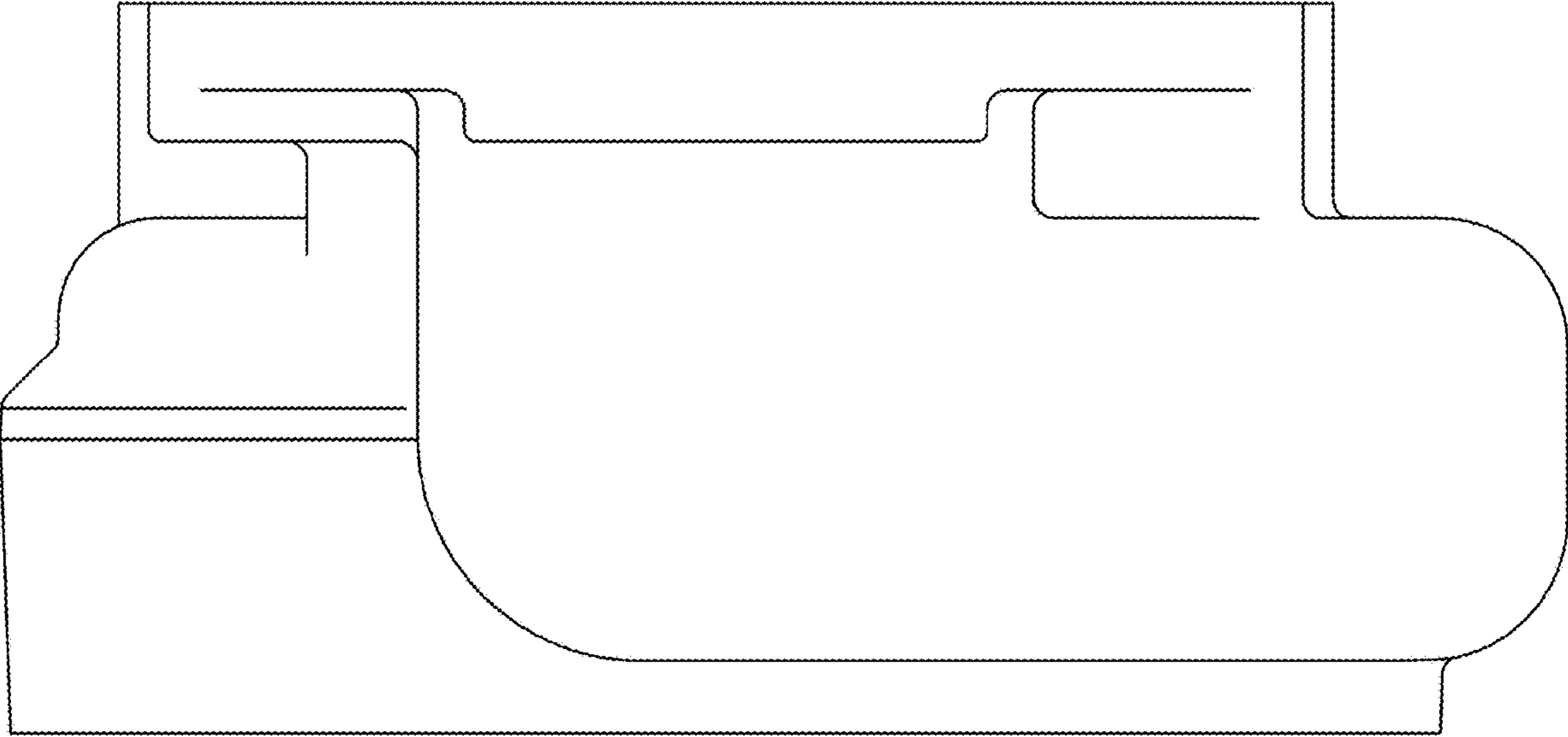


FIG. 3

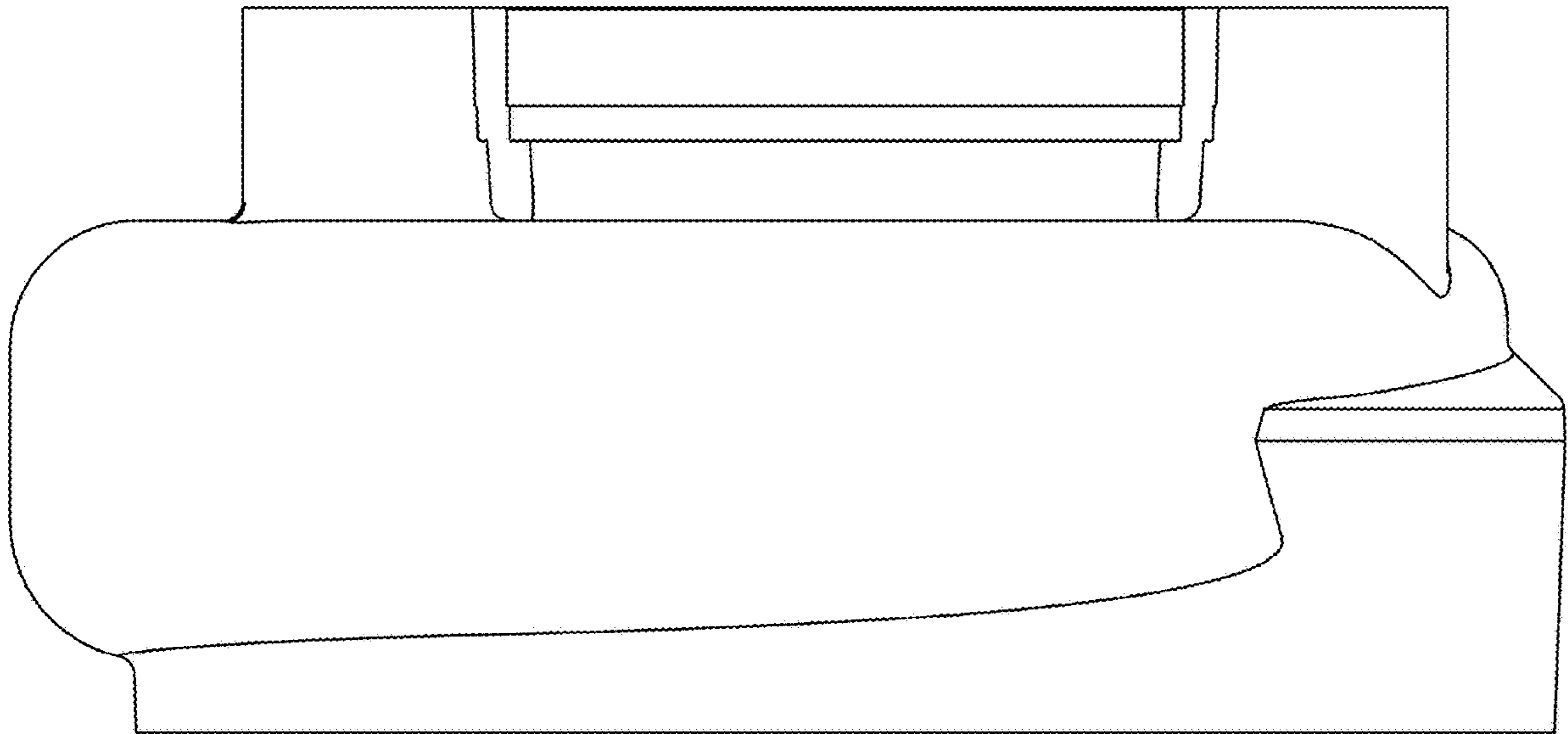


FIG. 4

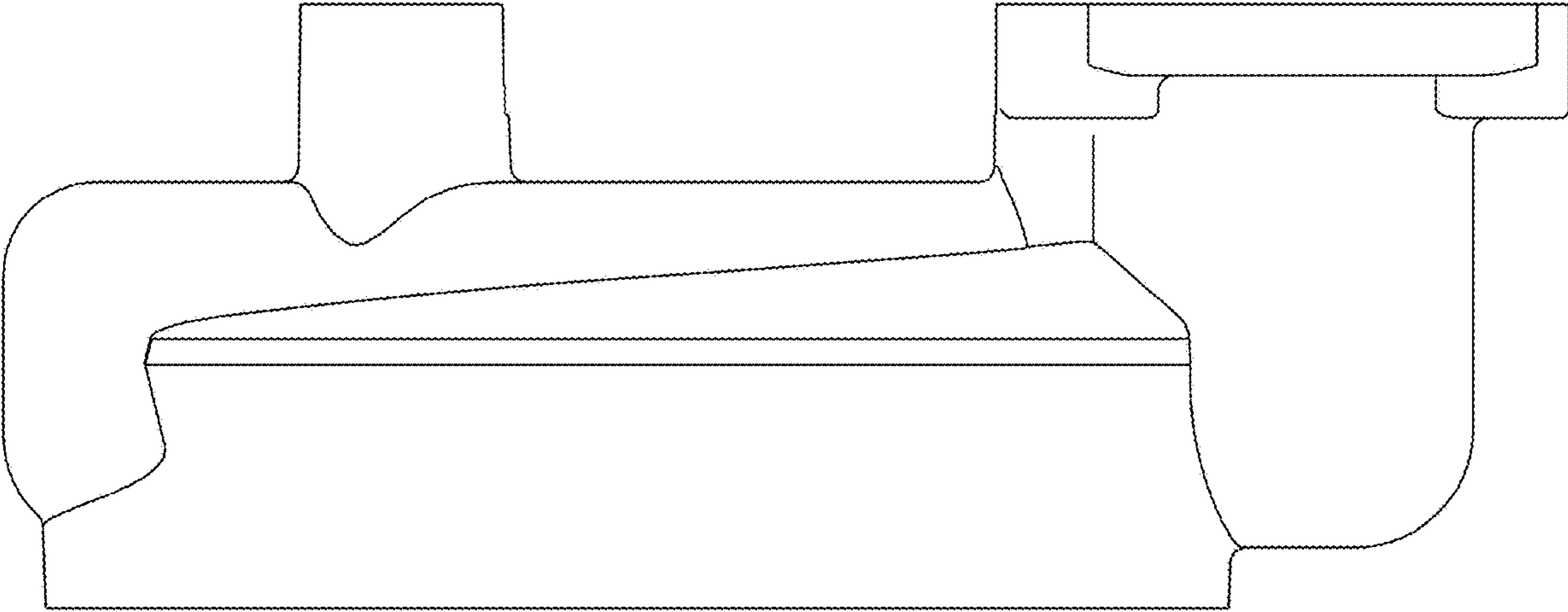


FIG. 5

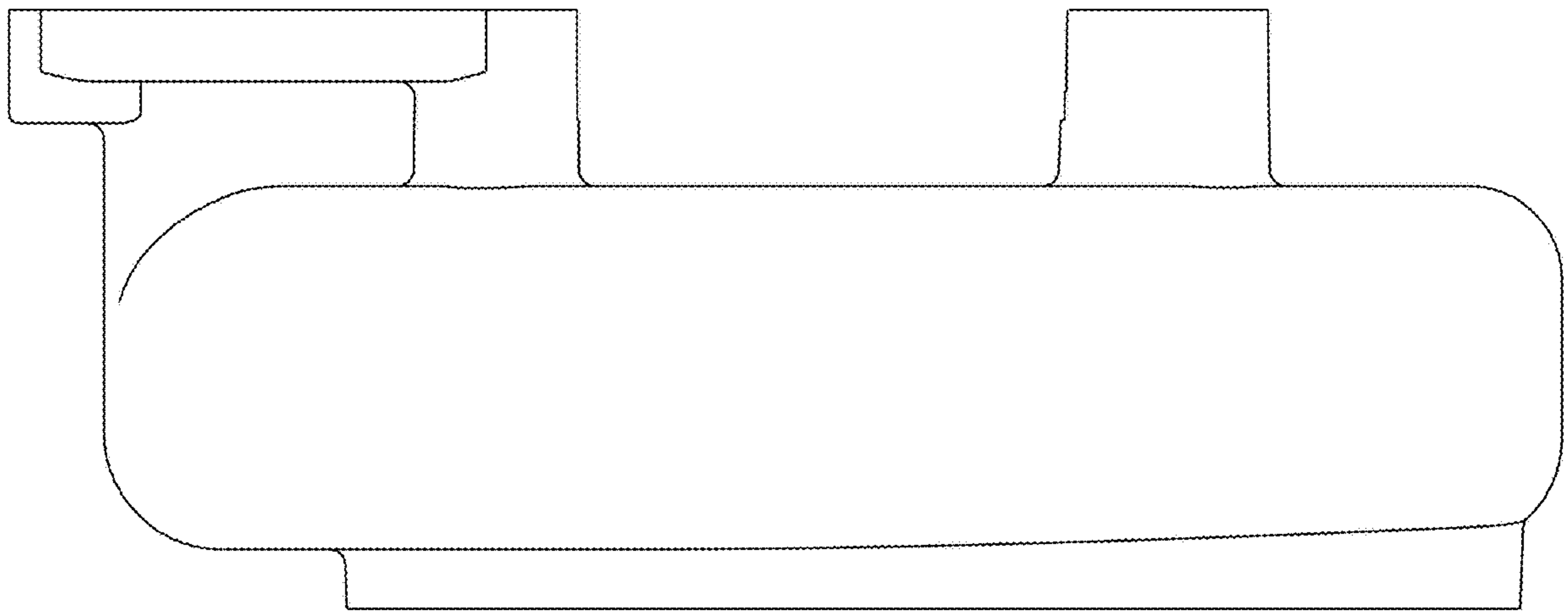


FIG. 6