



US0D1016651S

(12) **United States Design Patent** (10) **Patent No.:** **US D1,016,651 S**
Friedman (45) **Date of Patent:** **** Mar. 5, 2024**

(54) **RING**
(71) Applicant: **Lilia Friedman**, Livadia (CY)
(72) Inventor: **Lilia Friedman**, Livadia (CY)
(**) Term: **15 Years**
(21) Appl. No.: **29/860,723**
(22) Filed: **Nov. 22, 2022**
(51) **LOC (14) Cl.** **11-01**
(52) **U.S. Cl.**
USPC **D11/35**
(58) **Field of Classification Search**
USPC D11/1, 3, 4, 26-39, 91, 92
CPC A44C 9/00; A44C 9/0007; A44C 9/0014;
A44C 9/0023; A44C 9/003; A44C
9/0038; A44C 9/0046; A44C 9/0053;
A44C 9/0061; A44C 9/0069; A44C
9/0076; A44C 9/0084; A44C 9/0092;
A44C 9/02; A44C 17/0258; A44C
17/0266; A44C 17/0275; A44C 17/0283;
A44C 17/02; A44C 17/0208; A44C
17/0216; A44C 17/0225; A44C 17/0233;
A44C 17/0241; A44C 17/025; A44C
17/0288; A44C 17/0291; A44C 1/00;
A44C 3/00
See application file for complete search history.

D421,405 S * 3/2000 Mestrum D11/26
D434,340 S * 11/2000 Beber D11/26
D514,469 S * 2/2006 Race D11/34
D657,705 S * 4/2012 Guerrero, II D11/4
D780,031 S * 2/2017 Riviere D11/34
D843,258 S * 3/2019 Zhou D11/34
D873,700 S * 1/2020 Zhou D11/34
D960,757 S * 8/2022 Friedman D11/35
D962,814 S * 9/2022 She D11/34
D963,507 S * 9/2022 Wu D11/34
D993,814 S * 8/2023 Friedman D11/34

OTHER PUBLICATIONS

{Online] <https://www.rinfit.com/collections/silicone-rings/products/metal-framed-silicone-pear-collection-engagement-or-promise-rings-for-her-silicone-wedding-bands-women>. Retrieved Nov. 4, 2023.*

* cited by examiner

Primary Examiner — Melanie Pellegrini

(57) **CLAIM**

The ornamental design for a ring, as shown and described.

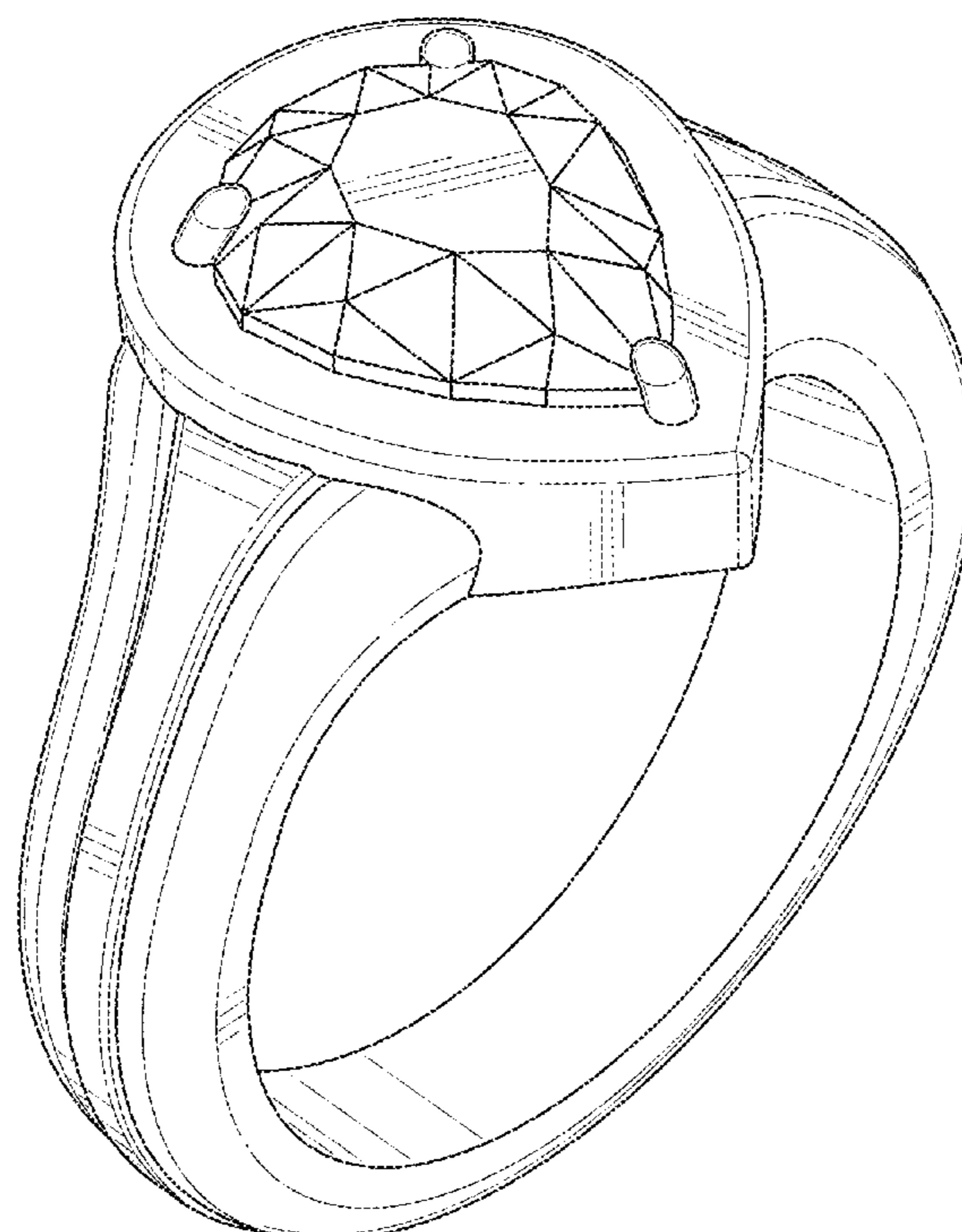
DESCRIPTION

FIG. 1 is a front perspective view of a ring, showing my new design;
FIG. 2 is a front view thereof;
FIG. 3 is a rear view thereof;
FIG. 4 is a left side view thereof;
FIG. 5 is a right side view thereof;
FIG. 6 is a top view thereof;
FIG. 7 is a bottom view thereof; and,
FIG. 8 is an exploded view thereof.

1 Claim, 8 Drawing Sheets

(56) **References Cited**
U.S. PATENT DOCUMENTS

D285,423 S * 9/1986 Marcus D11/28
D374,410 S * 10/1996 Tanory, Jr. D11/34
D419,102 S * 1/2000 Mestrum D11/26



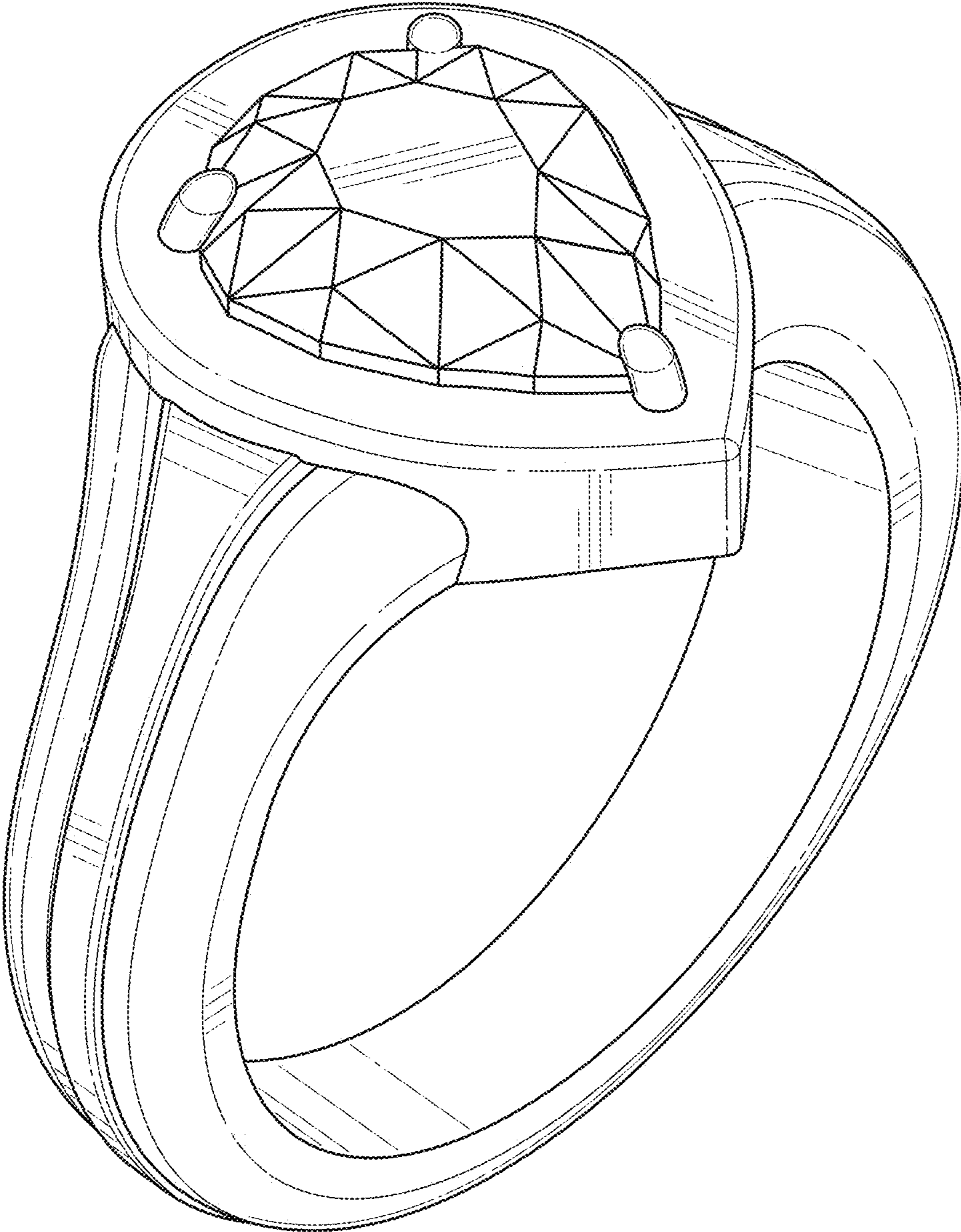


FIG. 1

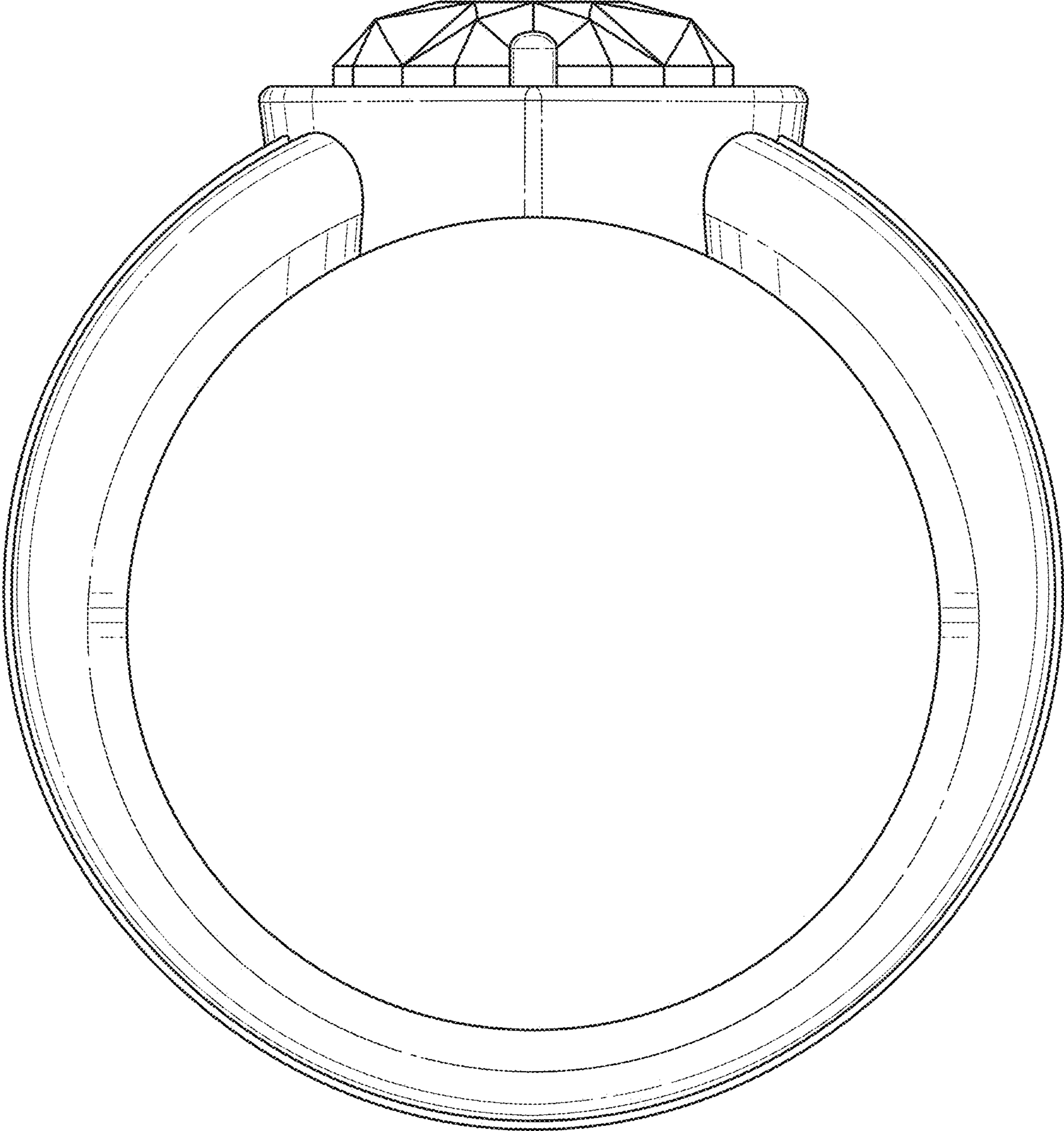


FIG. 2

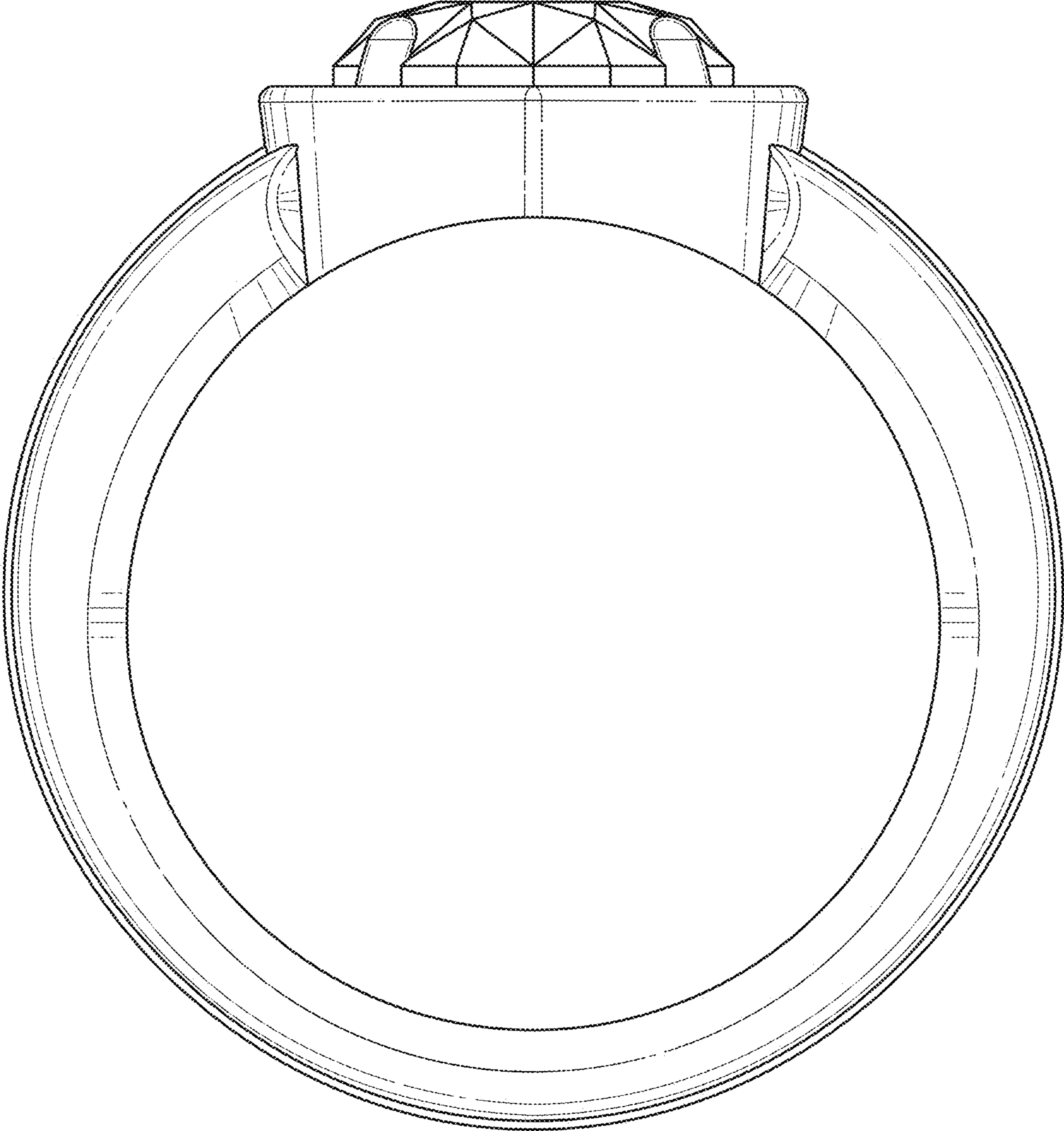


FIG. 3

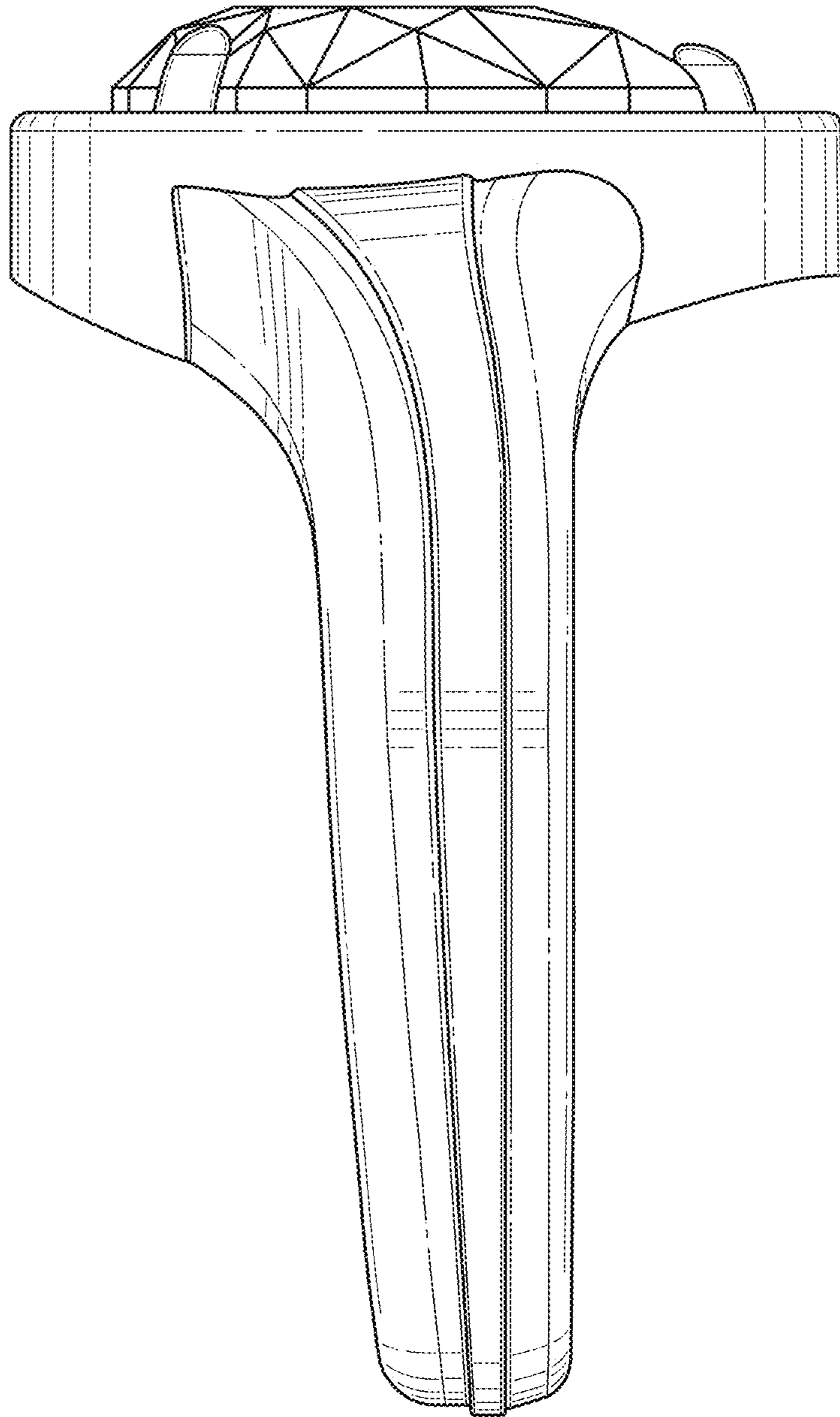


FIG. 4

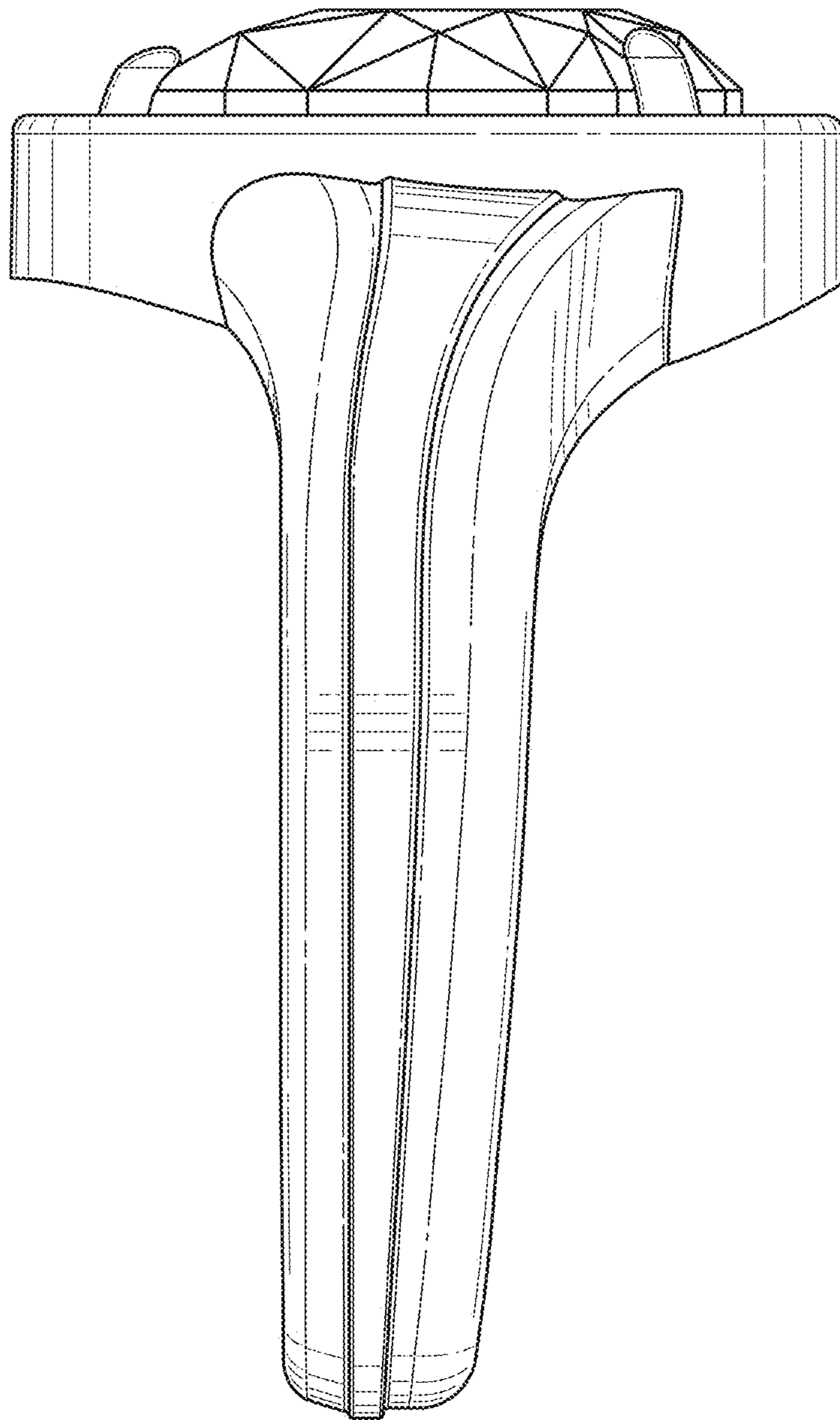


FIG. 5

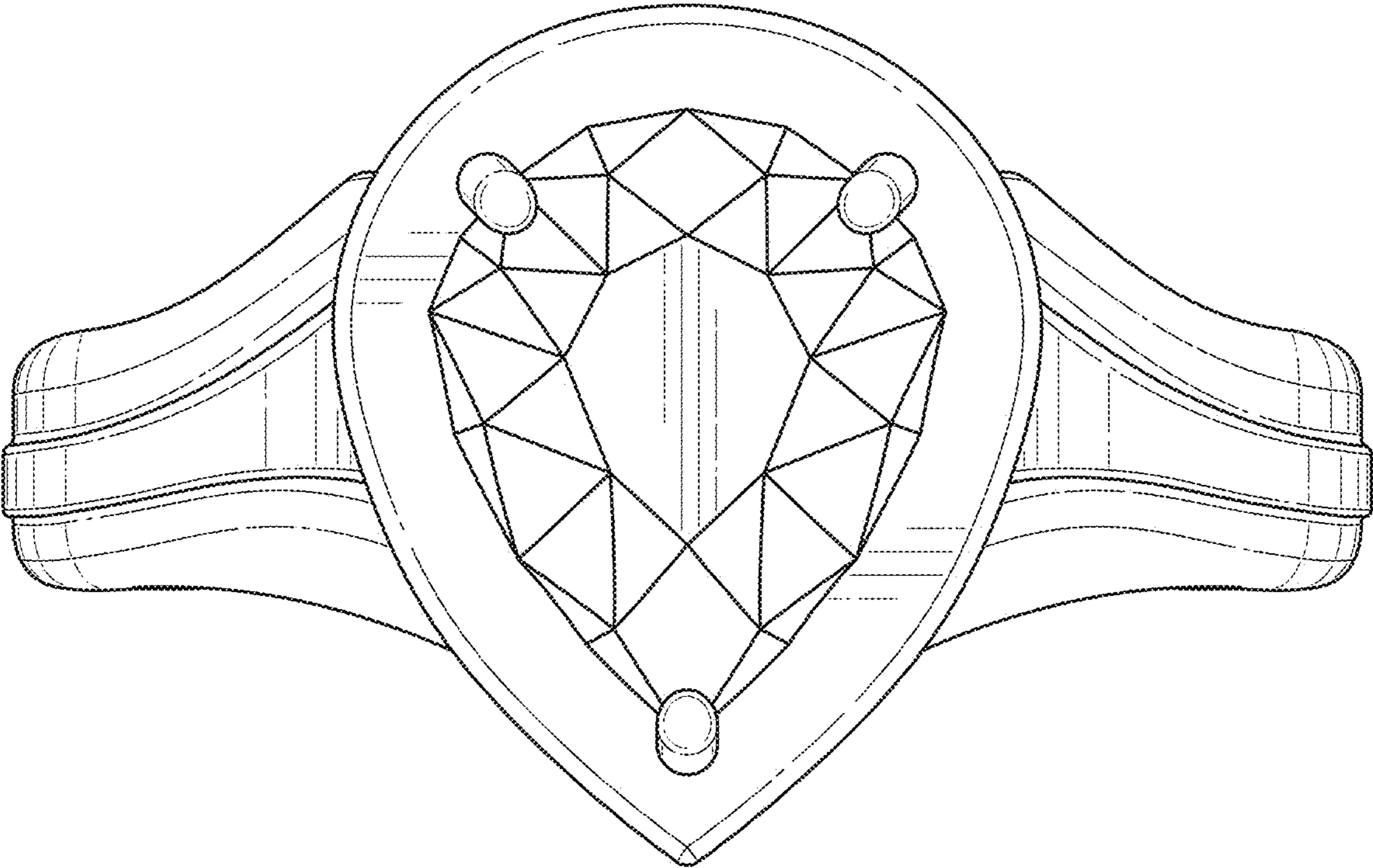


FIG. 6

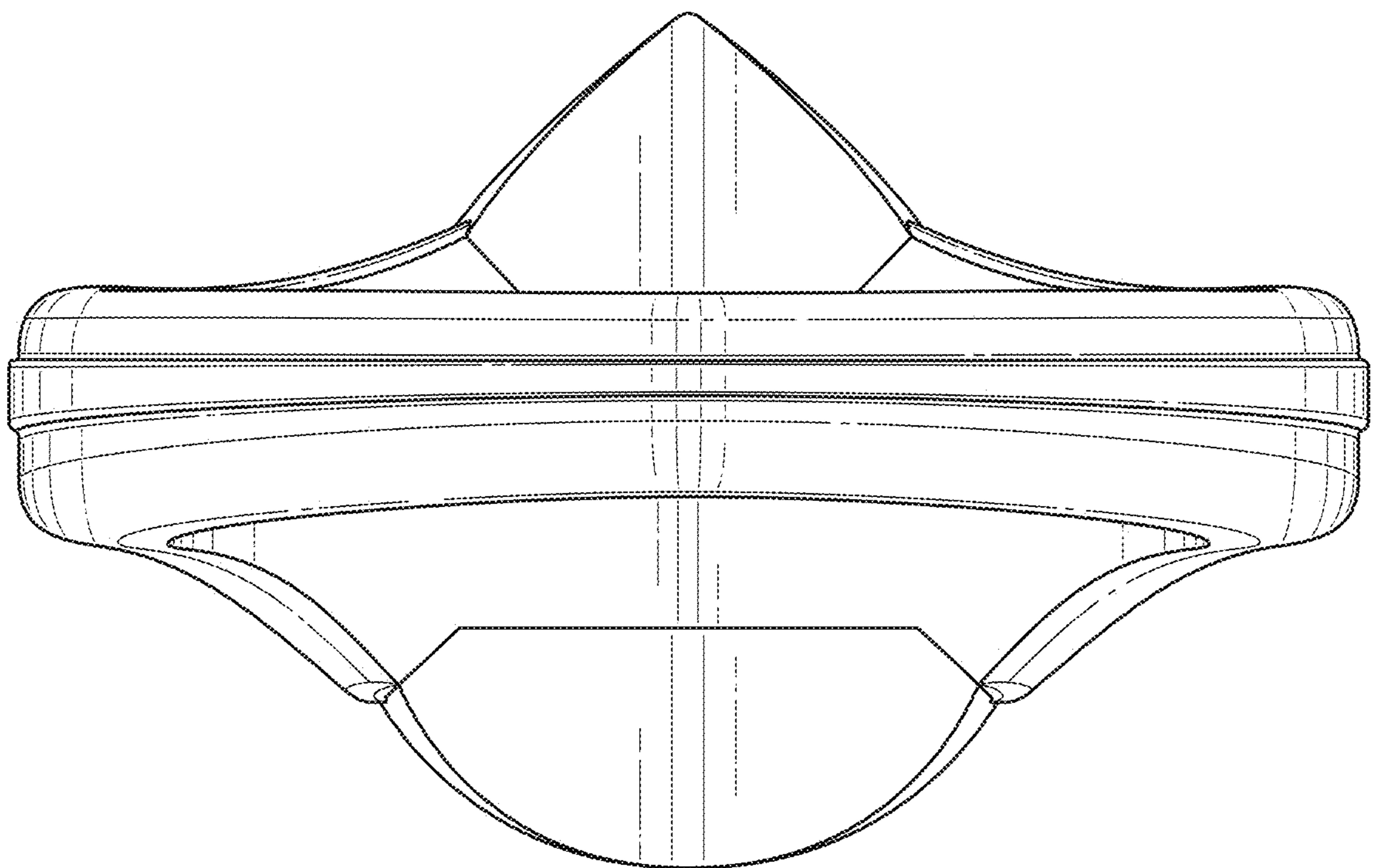


FIG. 7

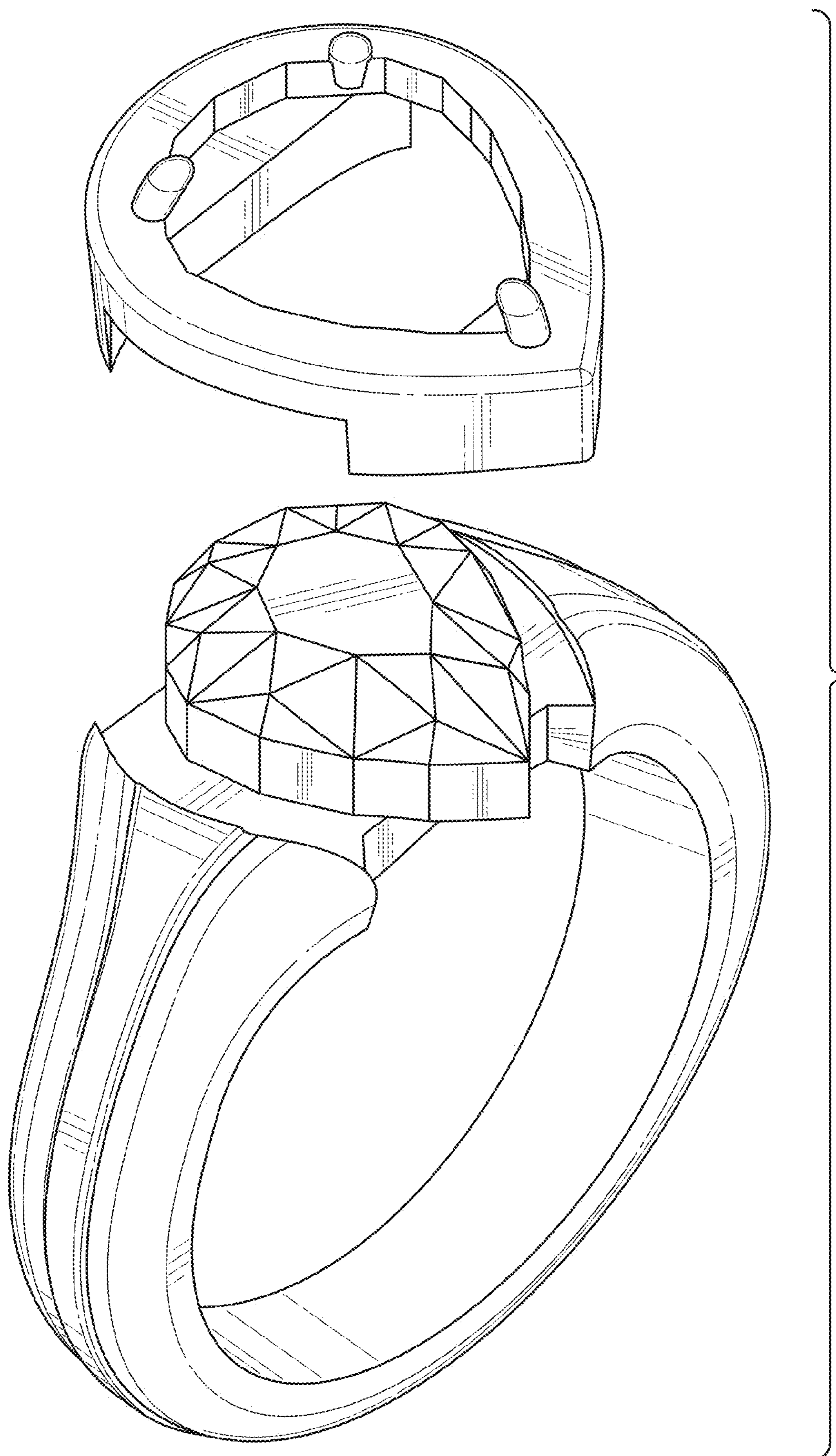


FIG. 8