



US0D1016632S

(12) **United States Design Patent**
Wang

(10) **Patent No.:** **US D1,016,632 S**

(45) **Date of Patent:** **** Mar. 5, 2024**

(54) **CONTROLLER SHELL**

(71) Applicant: **Cuiying Wang**, Lingbao (CN)

(72) Inventor: **Cuiying Wang**, Lingbao (CN)

(**) Term: **15 Years**

(21) Appl. No.: **29/792,558**

(22) Filed: **Apr. 7, 2022**

(30) **Foreign Application Priority Data**

Mar. 16, 2022 (CN) 202230135075.6

(51) **LOC (14) Cl.** **10-04**

(52) **U.S. Cl.**
USPC **D10/49**; D13/177; D14/218

(58) **Field of Classification Search**
USPC D10/49; D13/158, 168, 177, 184;
D14/218

CPC H05B 45/10; H05B 45/20; H05B 47/19
See application file for complete search history.

(56) **References Cited**

U.S. PATENT DOCUMENTS

5,678,489 A * 10/1997 Wang G09B 23/02
104/56
D606,046 S * 12/2009 Bradford D14/218

D667,382 S * 9/2012 Cosentino D13/168
8,450,950 B2 * 5/2013 McRae H05B 45/20
315/318
8,941,312 B2 * 1/2015 McRae H05B 45/37
315/307
9,510,406 B2 * 11/2016 McRae H05B 45/20
D788,603 S * 6/2017 Liu D10/49
D980,806 S * 3/2023 Leang D26/113

* cited by examiner

Primary Examiner — Antoine Duval Davis

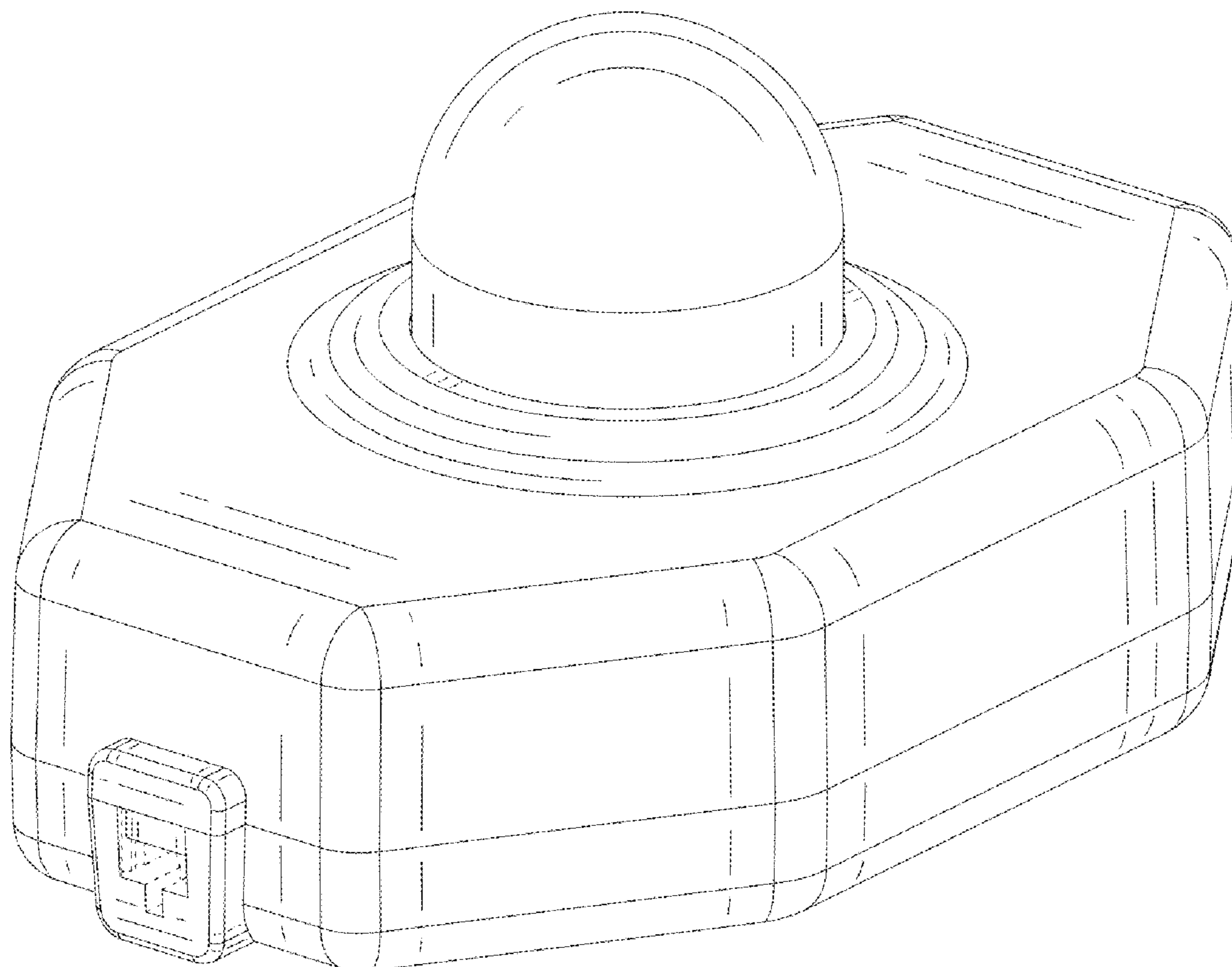
(57) **CLAIM**

The ornamental design for a controller shell, as shown and described.

DESCRIPTION

FIG. 1 is a perspective view of a controller shell showing our new design;
FIG. 2 is a front view thereof;
FIG. 3 is a back view thereof;
FIG. 4 is a left view thereof;
FIG. 5 is a right view thereof;
FIG. 6 is a top view thereof; and,
FIG. 7 is a bottom view thereof.
The broken lines shown on the drawings depict portions of the controller shell that form no part of the claimed design.

1 Claim, 5 Drawing Sheets



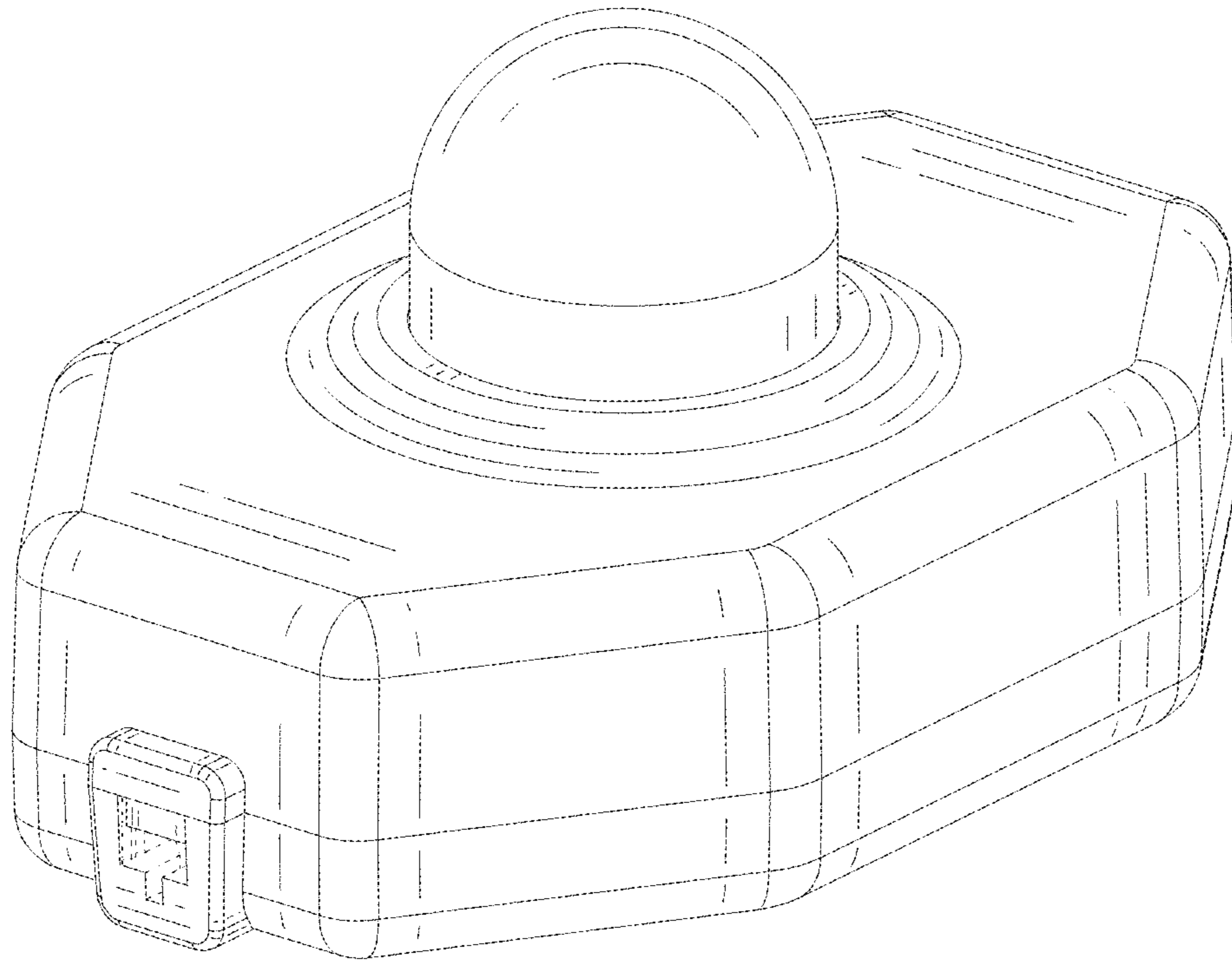


FIG. 1

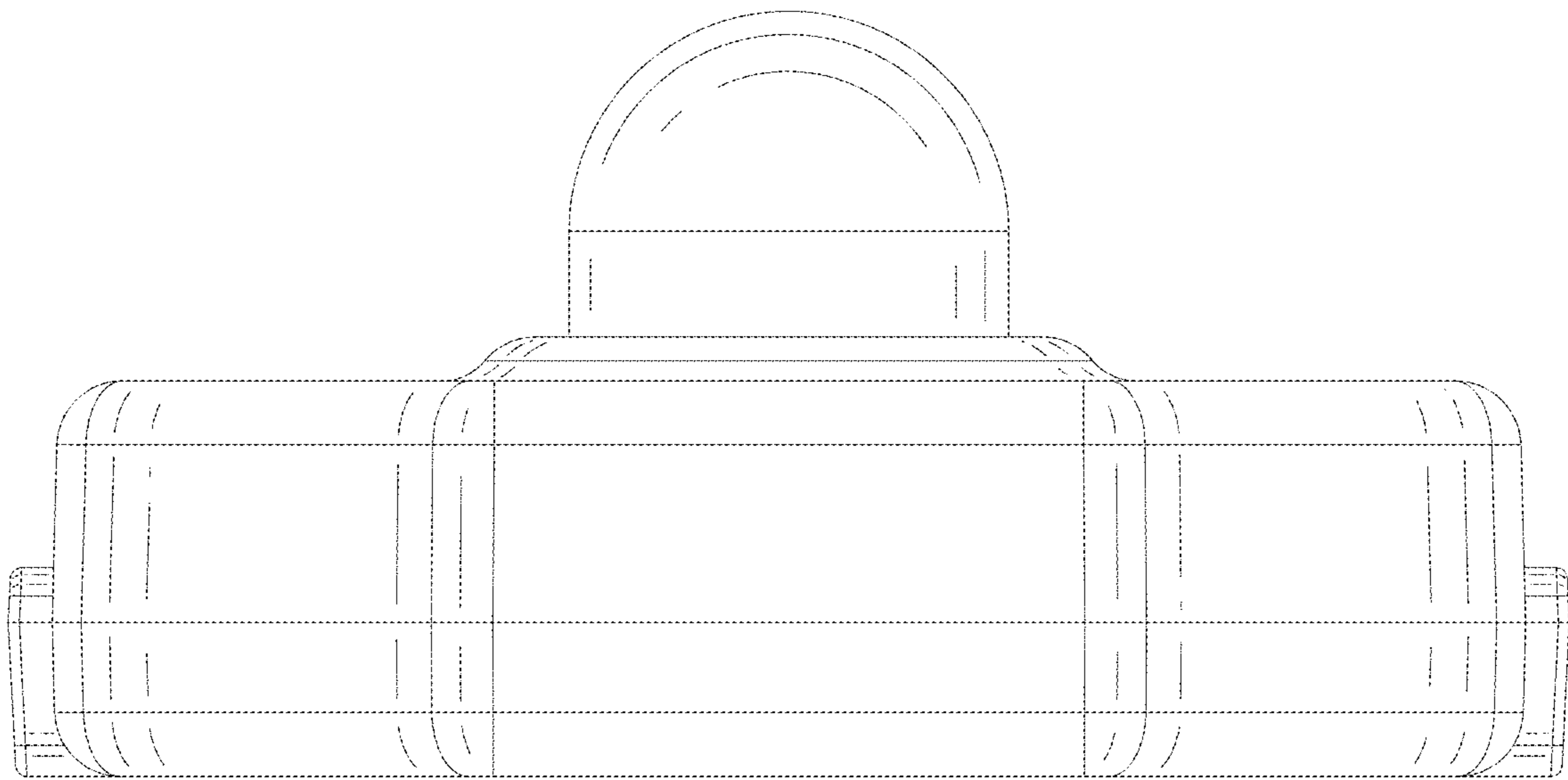


FIG. 2

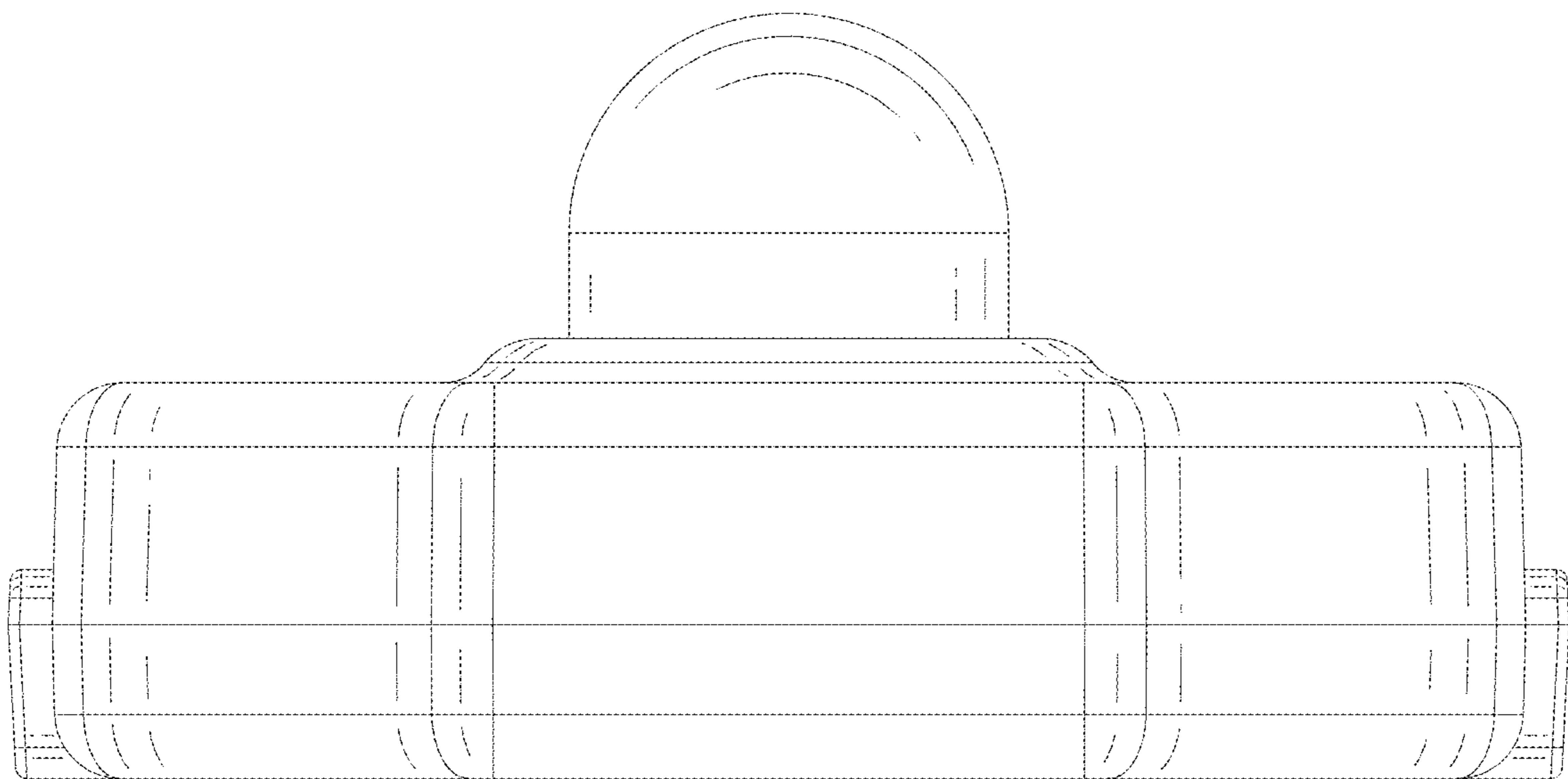


FIG. 3

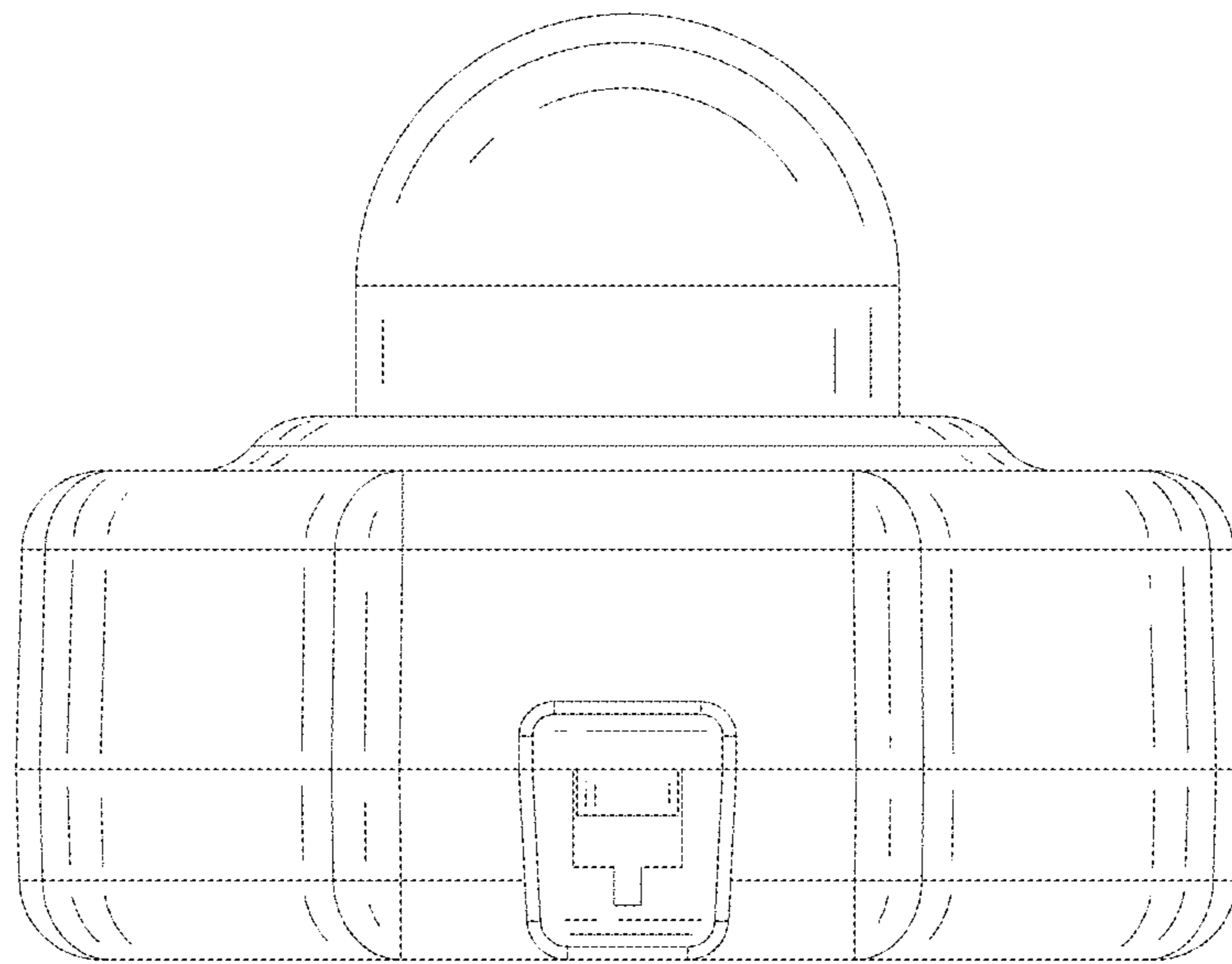


FIG. 4

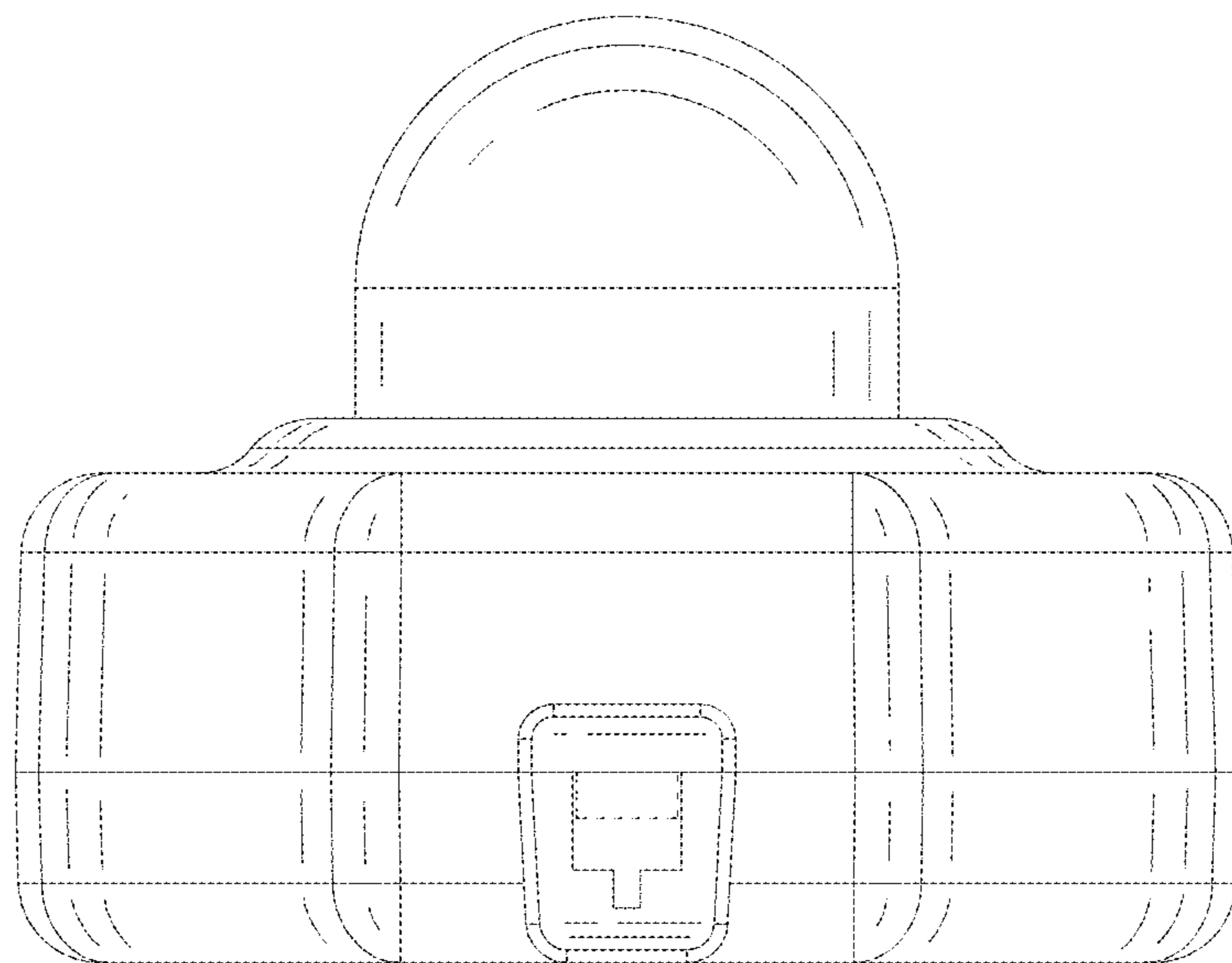


FIG. 5

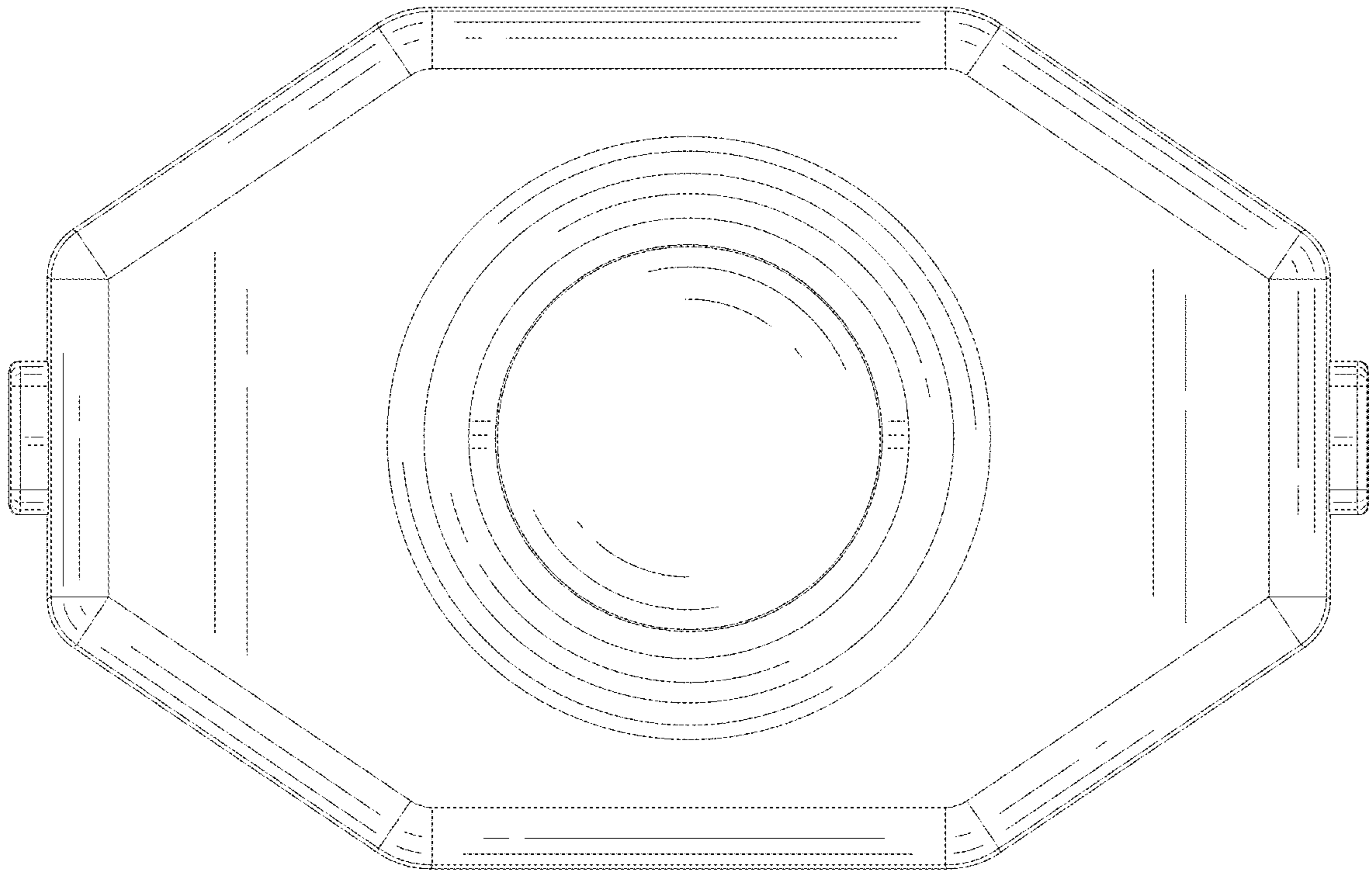


FIG. 6

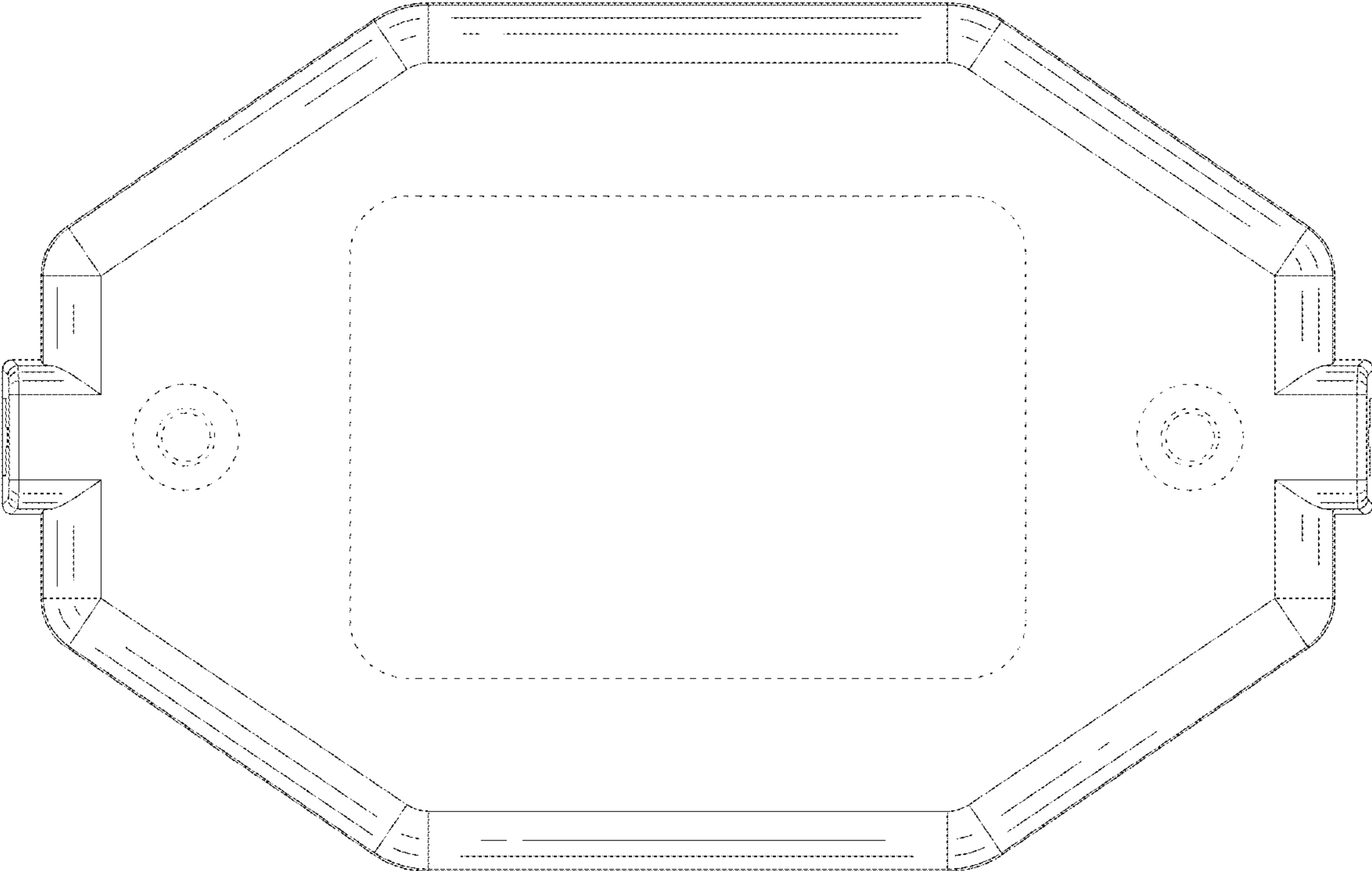


FIG. 7