



US0D1016474S

(12) **United States Design Patent** (10) **Patent No.: US D1,016,474 S**  
**Gvasalia** (45) **Date of Patent: \*\* Mar. 5, 2024**

- (54) **CASE**
- (71) Applicants: **Crocs, Inc.**, Broomfield, CO (US);  
**Balenciaga**, Paris (FR)
- (72) Inventor: **Demna Gvasalia**, Paris (FR)
- (73) Assignees: **CROCS, INC.**, Broomfield, CO (US);  
**BALENCIAGA**, Paris (FR)
- (\*\*) Term: **15 Years**
- (21) Appl. No.: **29/815,166**
- (22) Filed: **Nov. 11, 2021**
- (51) **LOC (14) Cl.** ..... **03-01**
- (52) **U.S. Cl.**  
USPC ..... **D3/232; D3/218**
- (58) **Field of Classification Search**  
USPC ..... D3/215, 226, 232, 234, 238, 243,  
D3/245-246, 273, 289-290, 299, 301  
CPC ..... A45C 1/024; A45C 3/06  
See application file for complete search history.

- D799,208 S \* 10/2017 Venturini Fendi ..... D3/245
- D862,082 S \* 10/2019 Lange ..... D3/249
- D954,434 S \* 6/2022 Knightly ..... A45C 3/06  
D3/245

**OTHER PUBLICATIONS**

“The New Crocs X Balenciaga Collection Has Tote Bags & Phone Holders For A Full Jibbitz Attire”, article posted Jun. 15, 2022, zula.com [online], [site visited Mar. 20, 2023], Available at URL: <https://zula.sg/crocs-balenciaga-accessories/> (Year: 2022).  
Notice of Opposition filed by American Gaia Corp. dated Aug. 19, 2022, to the registration of the Industrial Design titled: “Cartera” received in related Colombian Patent Application No. NC2022/0006075 (59 pages).

\* cited by examiner

*Primary Examiner* — Andrew Kerr  
*Assistant Examiner* — Caitlin A Laverty

(74) *Attorney, Agent, or Firm* — Wilmer Cutler Pickering Hale and Dorr LLP

(57) **CLAIM**

The ornamental design for a case, as shown and described.

(56) **References Cited**

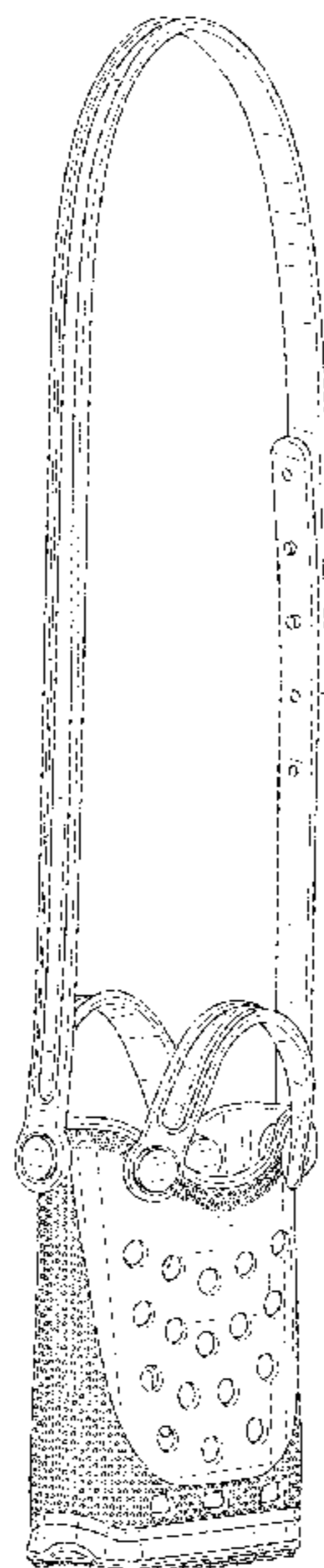
**U.S. PATENT DOCUMENTS**

- D252,959 S \* 9/1979 Lang ..... D3/268
- D343,951 S \* 2/1994 Petty ..... D3/249
- D549,957 S \* 9/2007 Eisenbraun ..... D3/218
- D584,042 S \* 1/2009 Eisenbraun ..... D3/218
- D584,506 S \* 1/2009 Brazzell ..... D3/234
- D584,507 S \* 1/2009 Brazzell ..... D3/238
- D584,508 S \* 1/2009 Brazzell ..... D3/238
- D600,907 S \* 9/2009 Boyd ..... D3/218
- D658,367 S \* 5/2012 Pent ..... D3/234
- D665,165 S \* 8/2012 Brazzell ..... D3/234
- D671,313 S \* 11/2012 Brazzell ..... D3/234
- D728,938 S \* 5/2015 Vaccarella ..... A45C 13/02  
D3/304
- D770,174 S \* 11/2016 Smith, Sr. .... D3/232
- D784,011 S \* 4/2017 Nair ..... D3/245

**DESCRIPTION**

FIG. 1 is a first perspective view of a case;  
FIG. 2 is a second perspective view thereof;  
FIG. 3 is a front view thereof;  
FIG. 4 is a back view thereof;  
FIG. 5 is a first side view thereof;  
FIG. 6 is a second side view thereof;  
FIG. 7 is a top view thereof; and,  
FIG. 8 is a bottom view thereof.  
The elements shown in FIGS. 1-8 in broken lines represent portions that form no part of the claimed design.

**1 Claim, 8 Drawing Sheets**



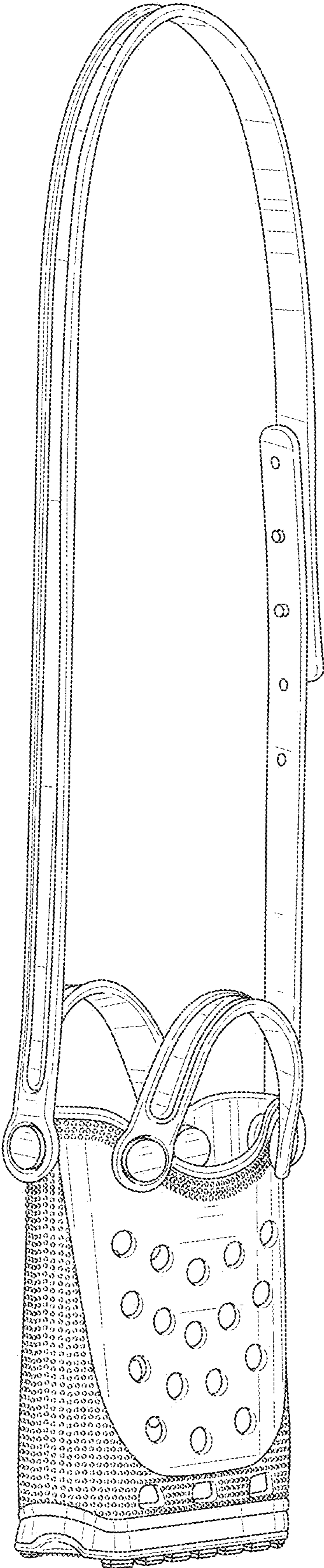


FIG. 1

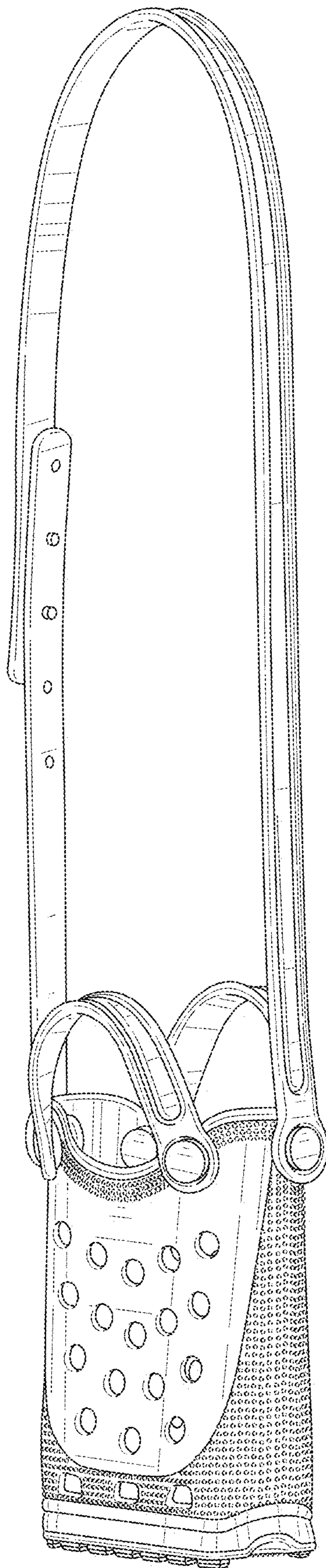


FIG. 2



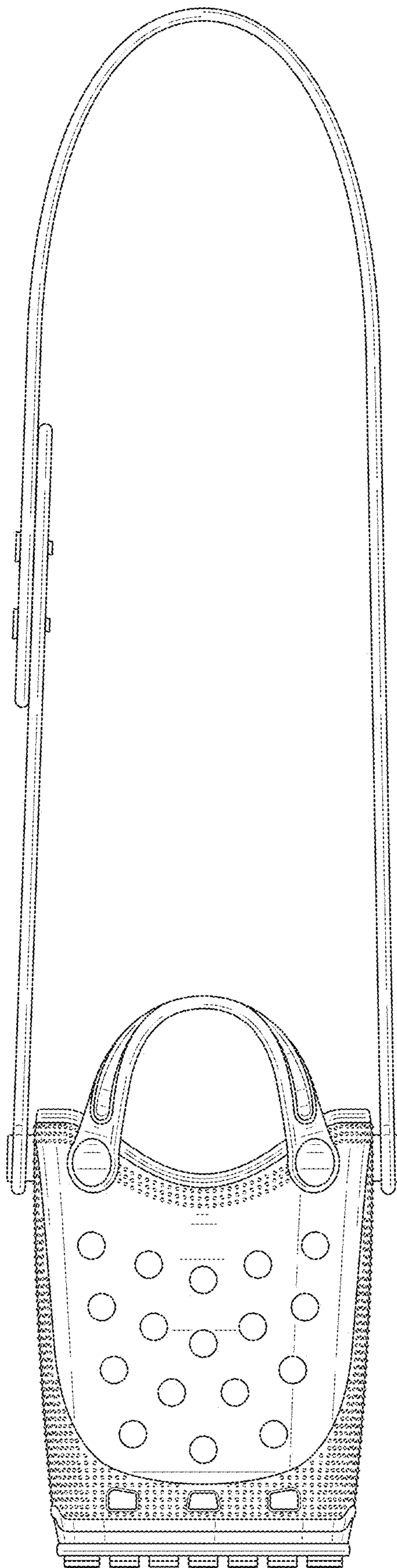


FIG. 3

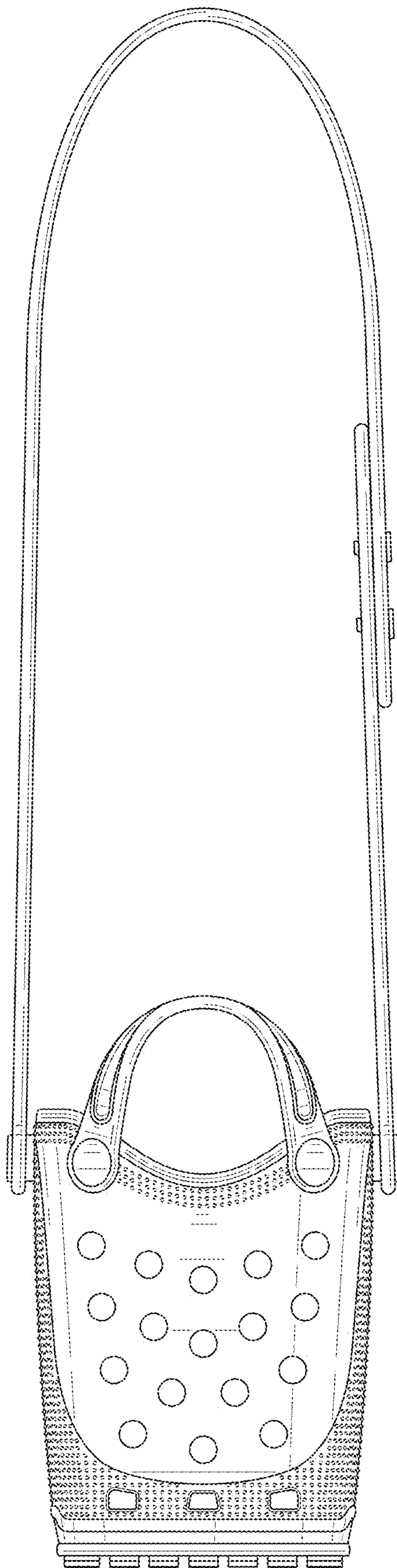


FIG. 4

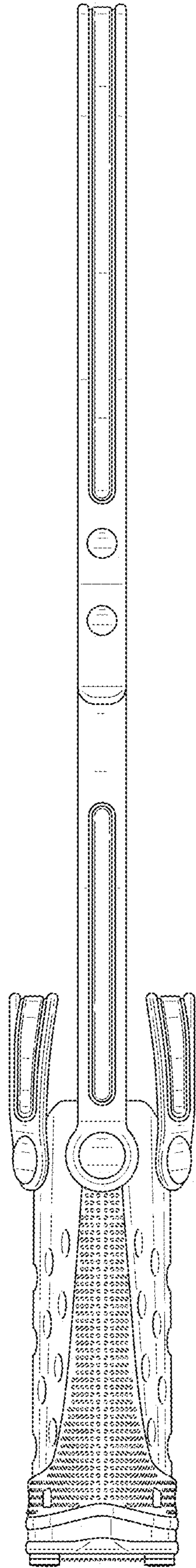


FIG. 5

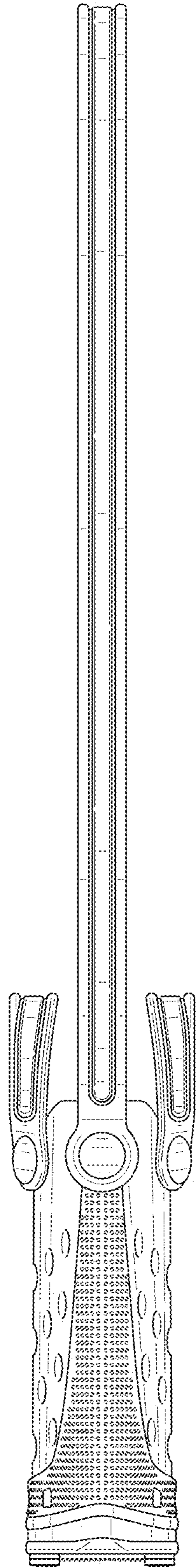


FIG. 6

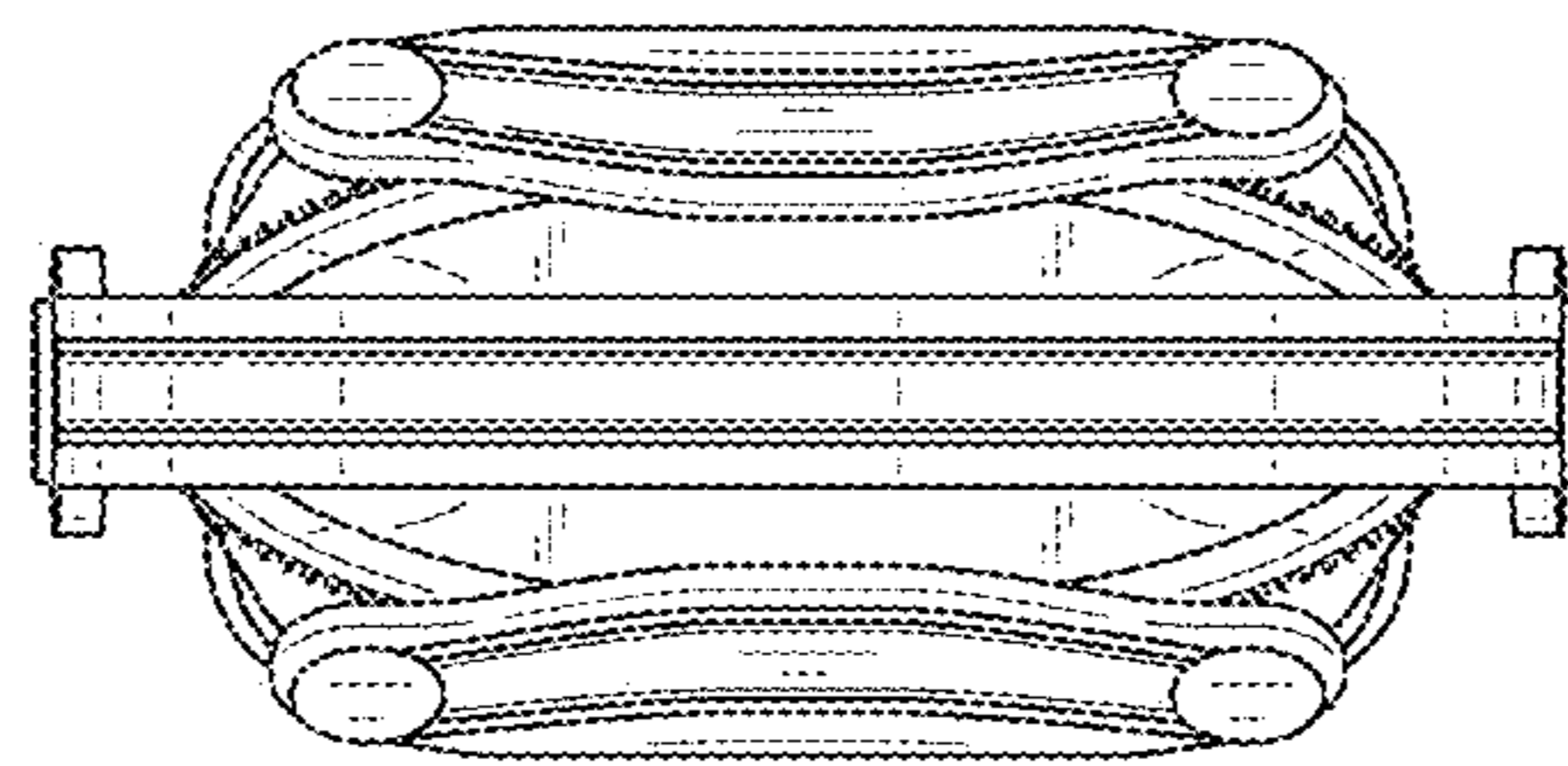


FIG. 7



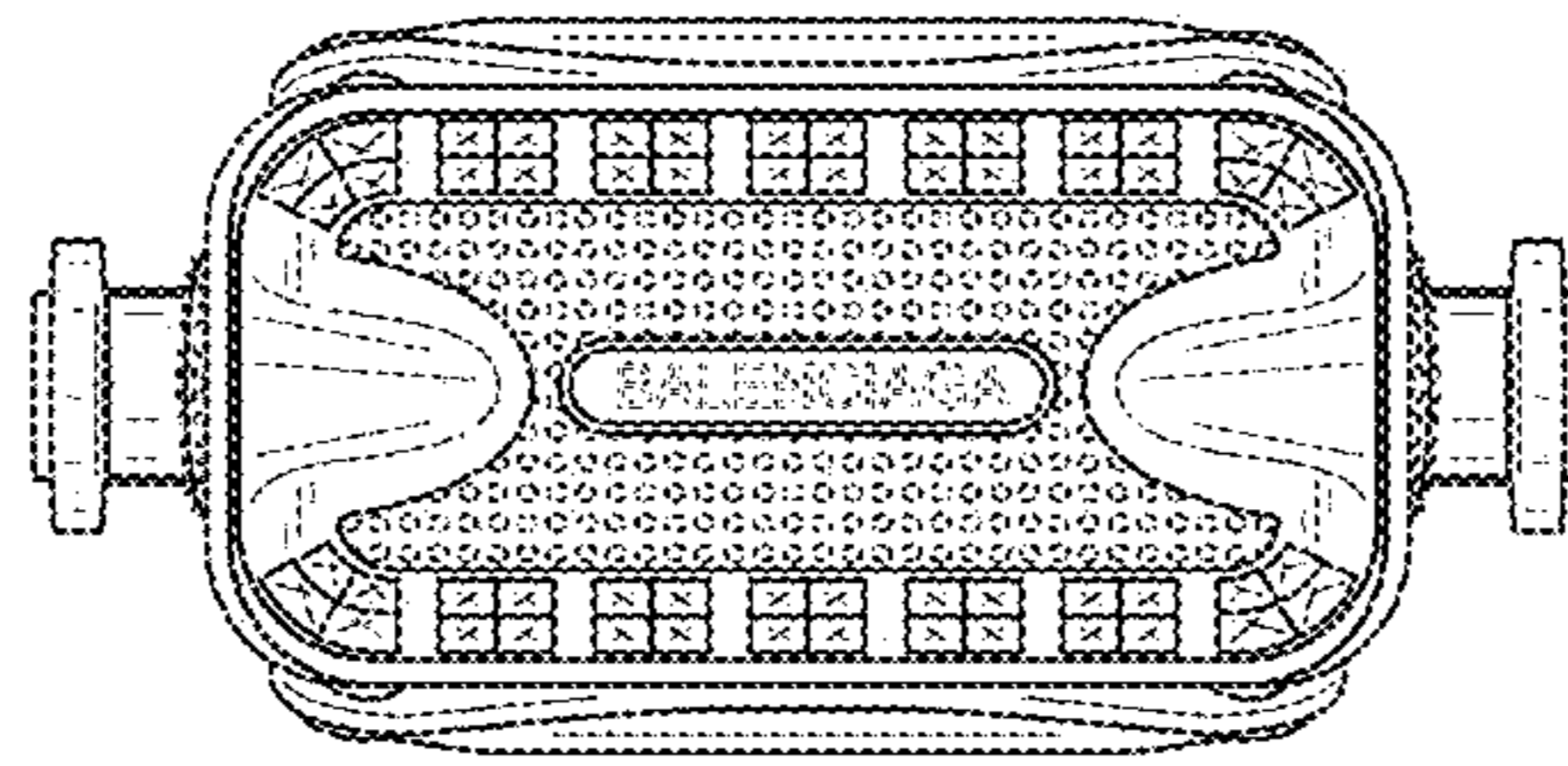


FIG. 8