



US0D1016408S

(12) **United States Design Patent** (10) **Patent No.:** **US D1,016,408 S**
Pan (45) **Date of Patent:** **** Feb. 27, 2024**

(54) **PET JACKET WITH CHEST PAD**

(71) Applicant: **Min Pan**, Hangzhou (CN)

(72) Inventor: **Min Pan**, Hangzhou (CN)

(**) Term: **15 Years**

(21) Appl. No.: **29/790,884**

(22) Filed: **Dec. 20, 2021**

(51) **LOC (14) Cl.** **30-01**

(52) **U.S. Cl.**

USPC **D30/145**

(58) **Field of Classification Search**

USPC D2/829; D21/804-806; D29/101.1,
D29/101.3, 101.4; D30/144, 145, 151,
D30/152, 199

CPC A01K 13/00; A01K 13/006; A01K 13/008;
A01K 27/002; A01K 27/008; A01K
1/0263; A41B 13/08; A61D 9/00

See application file for complete search history.

(56) **References Cited**

U.S. PATENT DOCUMENTS

3,248,852	A *	5/1966	Schwartz	A01K 13/006 54/79.1
D379,687	S *	6/1997	Curtis	D30/144
D397,533	S *	8/1998	Lidis	D30/145
D457,276	S *	5/2002	Lidis	D30/145
D470,275	S *	2/2003	Lidis	D30/145
6,584,939	B1 *	7/2003	Brezinski	A01K 13/008 D30/145
D479,896	S *	9/2003	Wilson	D30/145
D486,275	S *	2/2004	Grubb	D30/145
D526,452	S *	8/2006	Crain	D30/145
D591,460	S *	4/2009	deCarvalho	D30/145
D633,257	S *	2/2011	Trias	D30/152
D679,872	S *	4/2013	Rissanen	D30/144
D777,995	S *	1/2017	Thitz	D30/145
10,517,270	B2 *	12/2019	Gilbert	A01K 13/008
D929,050	S *	8/2021	Shen	D30/145
D952,960	S *	5/2022	Wang	D30/145

(Continued)

FOREIGN PATENT DOCUMENTS

CN 305205821 * 6/2019

OTHER PUBLICATIONS

Vivaglory Fleece Vest Dog Cold Weather Sweater, available in Amazon.com, date first available Oct. 25, 2021 [online], [site visited Apr. 13, 2023], Available from the internet URL: <https://www.amazon.com/Vivaglory-Fleece-Weather-Coats-Medium/dp/B08FT62XCN?th=1> (Year: 2021).*

Primary Examiner — Vy N Koenig

Assistant Examiner — Elizabeth Anne Glassberg

(74) *Attorney, Agent, or Firm* — Fogarty LLP

(57) **CLAIM**

The ornamental design for a pet jacket with chest pad, as shown and described.

DESCRIPTION

FIG. 1 is a perspective view of a pet jacket with chest pad, showing my new design;

FIG. 2 is a front elevation view thereof;

FIG. 3 is a rear elevation view thereof;

FIG. 4 is a right-side elevation view thereof;

FIG. 5 is a left-side elevation view thereof;

FIG. 6 is a top plan view thereof;

FIG. 7 is a bottom plan view thereof;

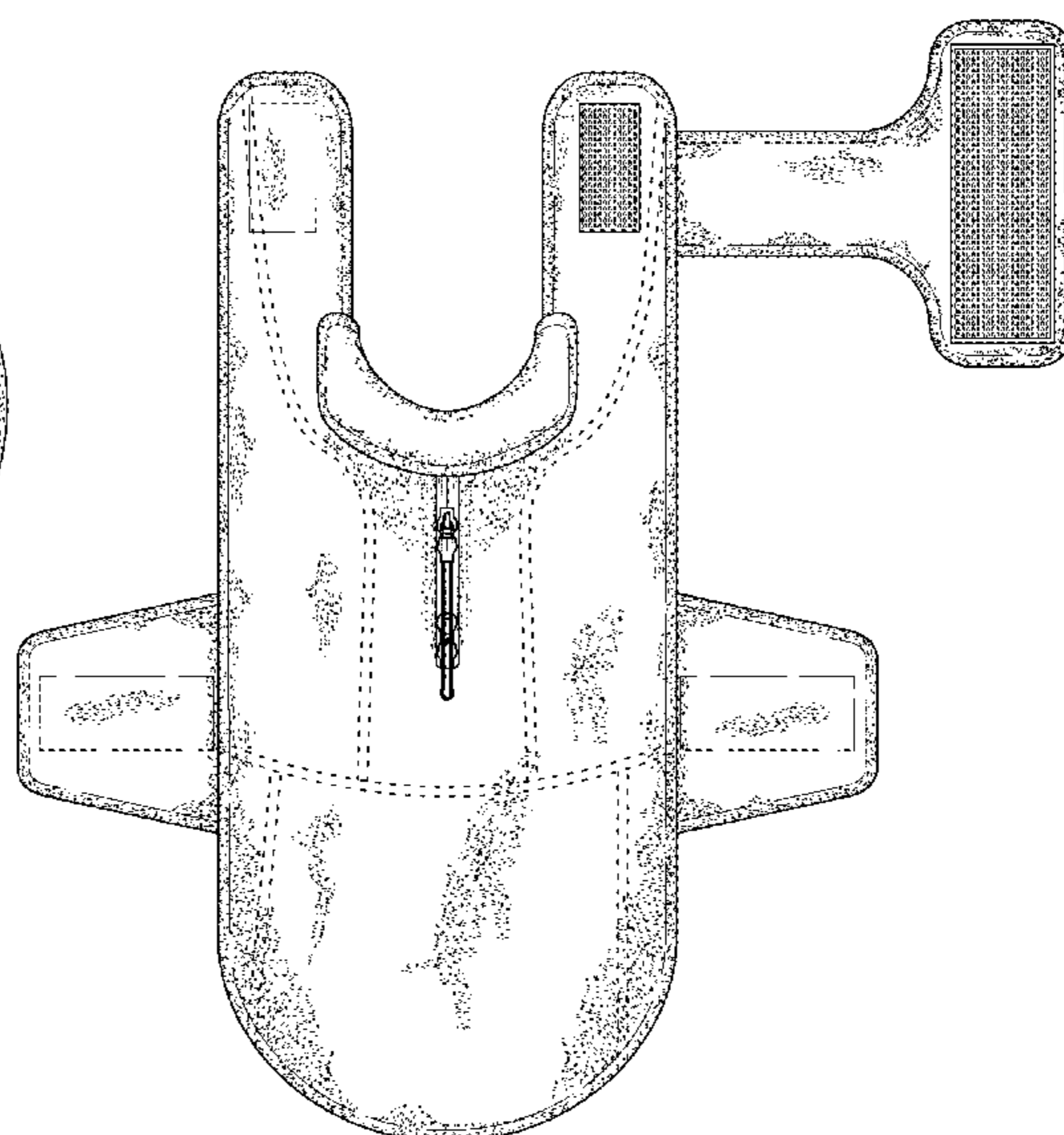
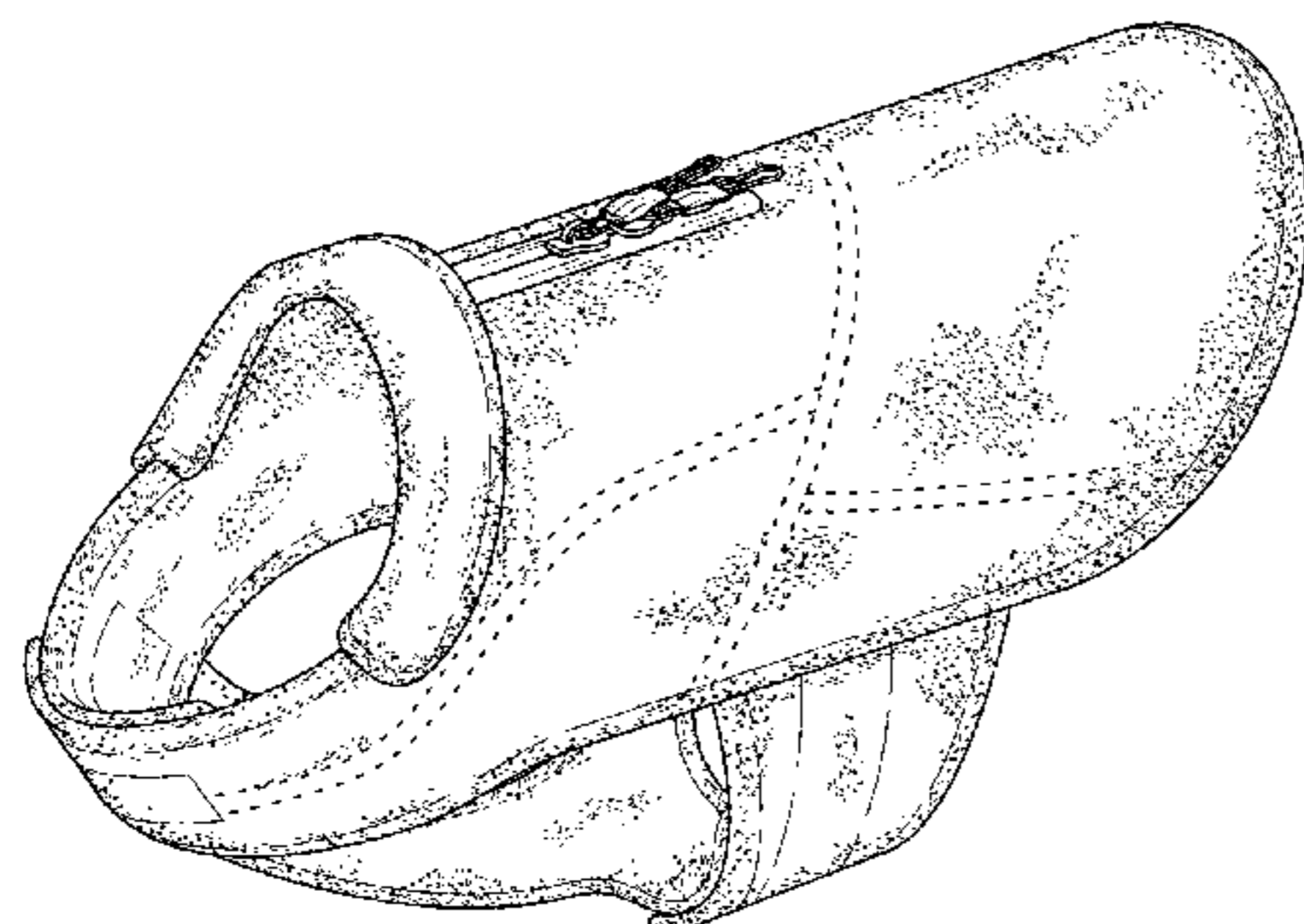
FIG. 8 is a top plan view thereof, shown in a flat configuration; and,

FIG. 9 is a bottom plan view thereof.

The stippling on the surface of the jacket represents a fuzzy material (e.g., fleece or fur).

The short broken lines depicting a stitching pattern form part of the claimed design. The long broken lines depicting an additional stitching pattern form no part of the claimed design.

1 Claim, 6 Drawing Sheets



(56)

References Cited

U.S. PATENT DOCUMENTS

2013/0276719 A1* 10/2013 Ferrando A01K 13/008
119/850
2017/0172107 A1* 6/2017 Quintana A01K 13/006

* cited by examiner

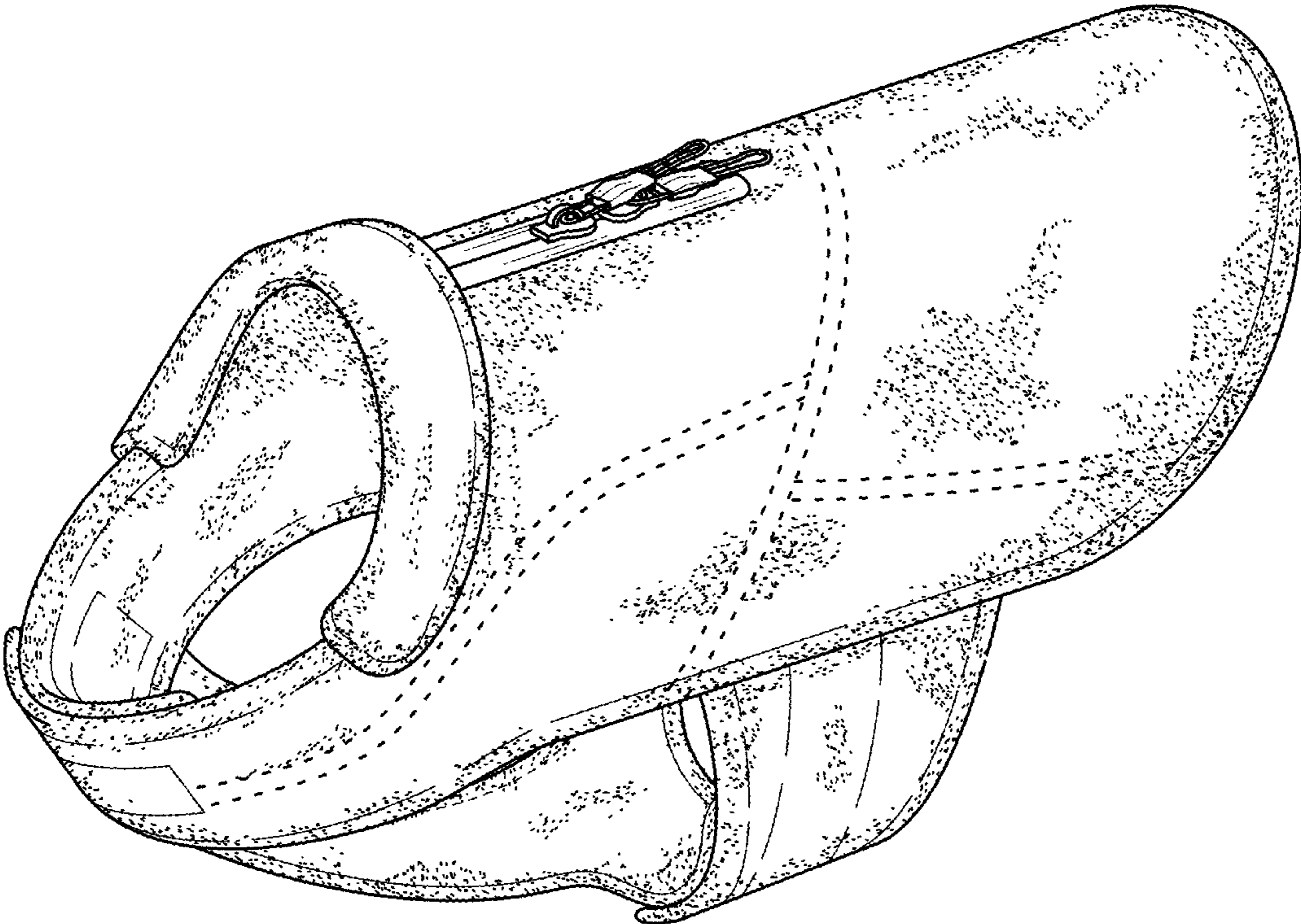


FIG. 1

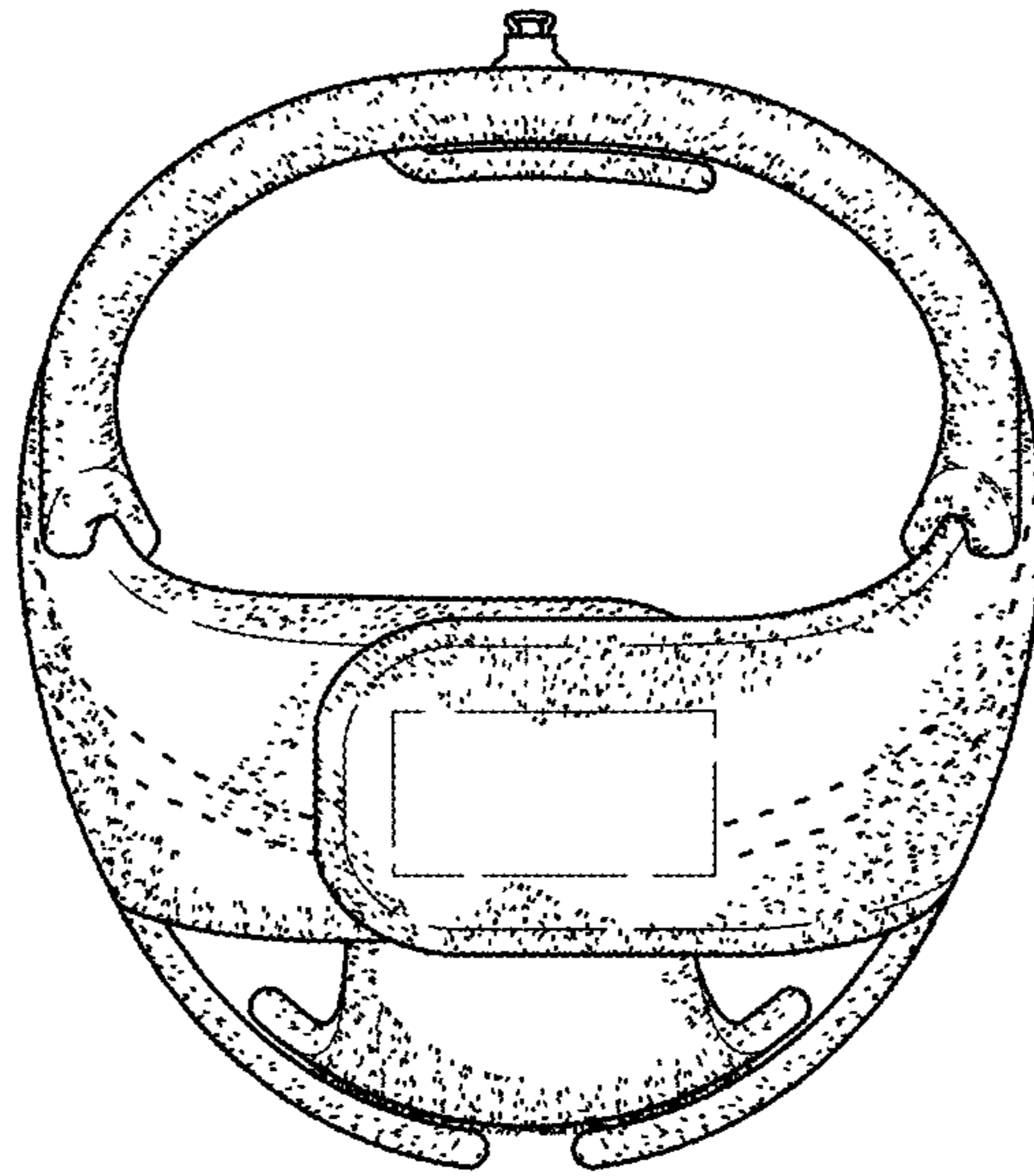


FIG. 2

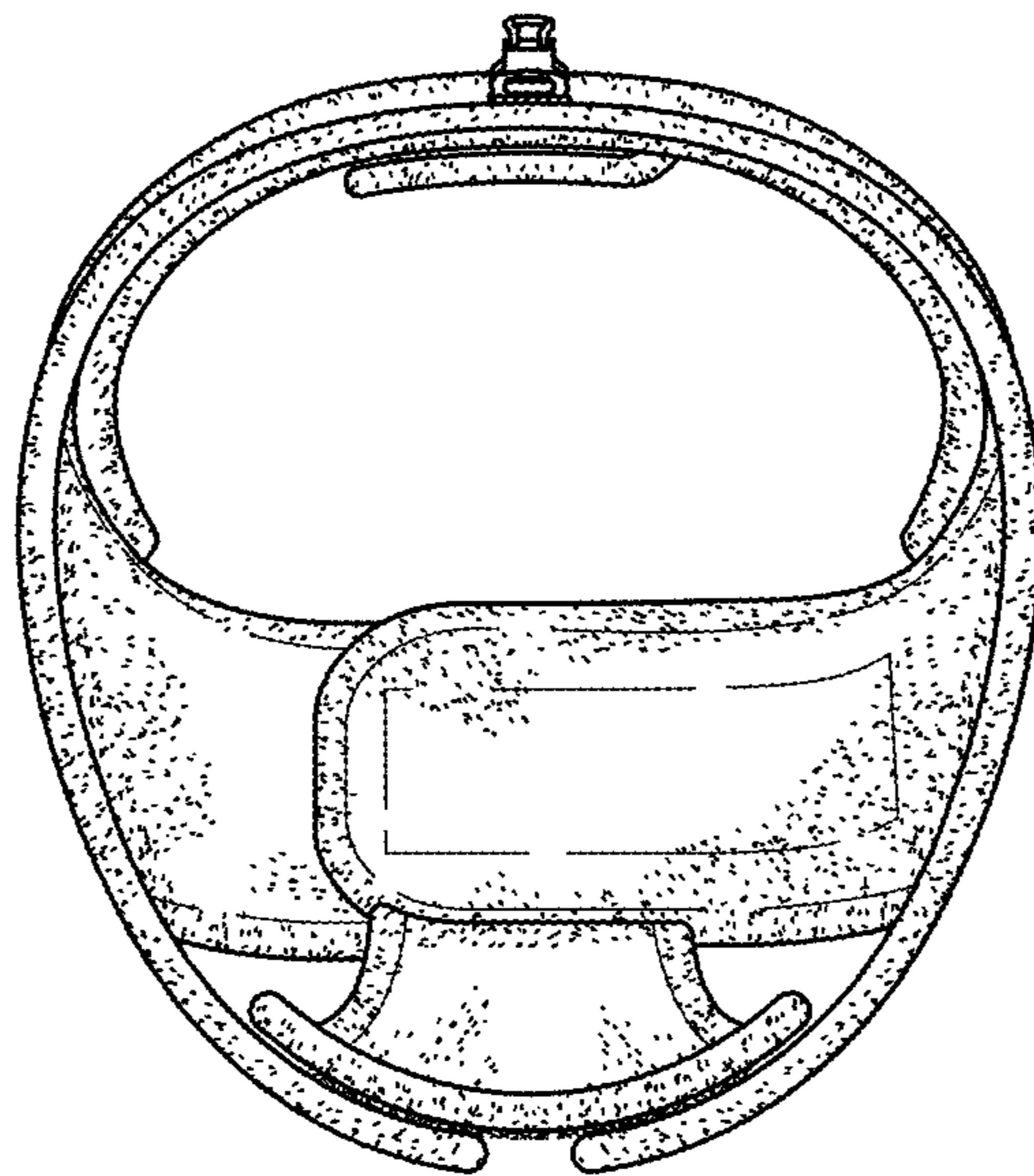


FIG. 3

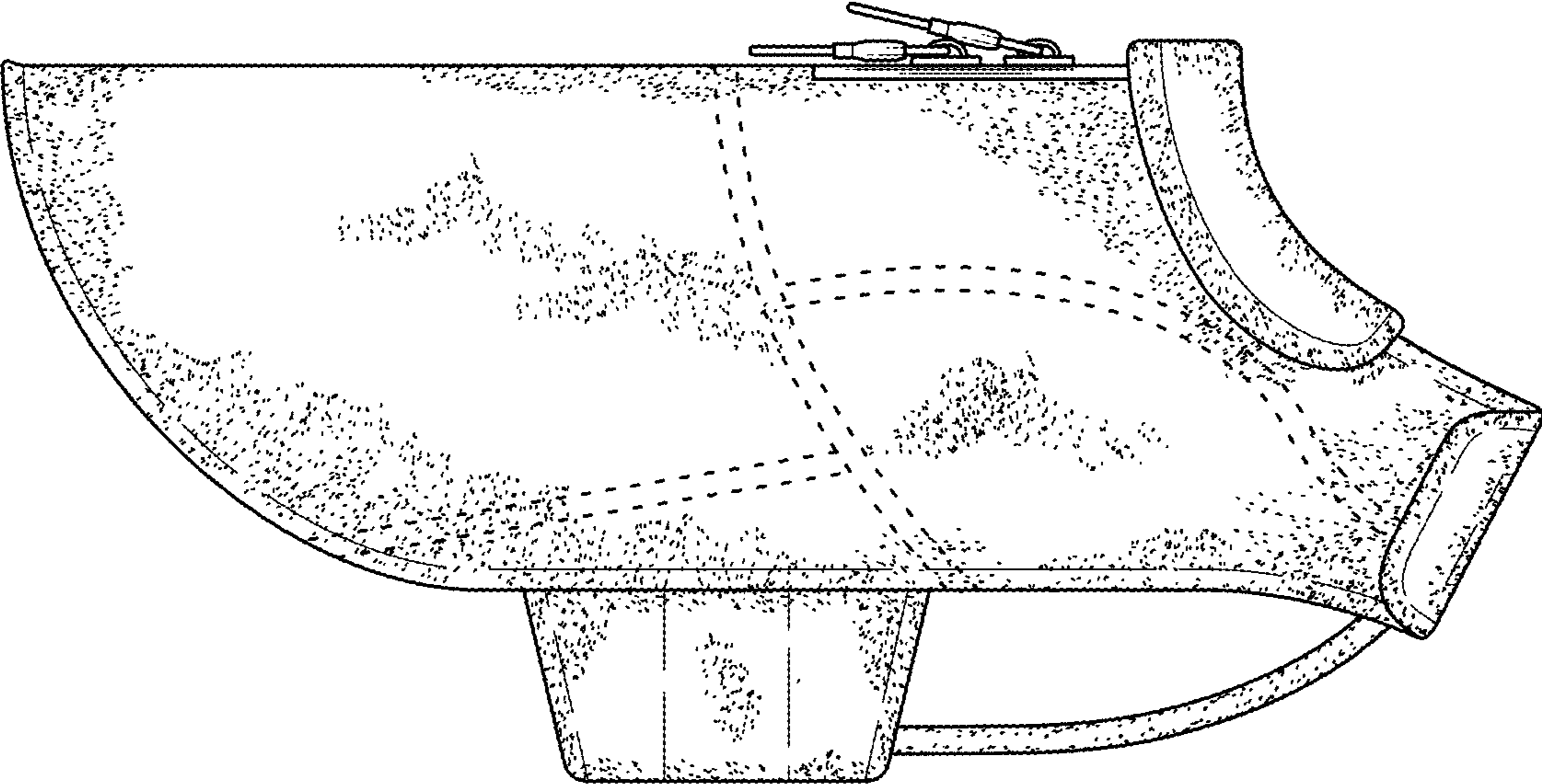


FIG. 4

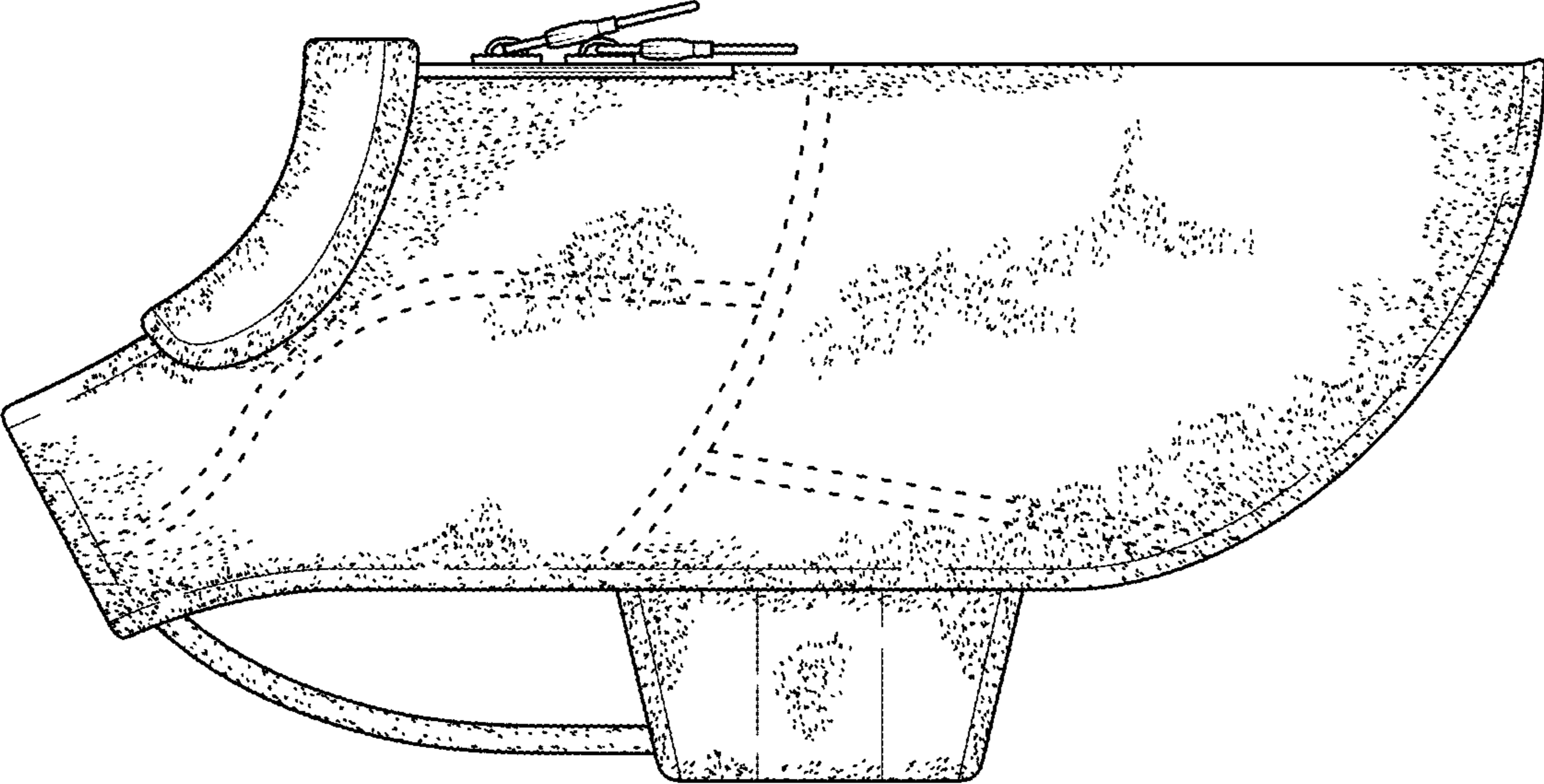


FIG. 5

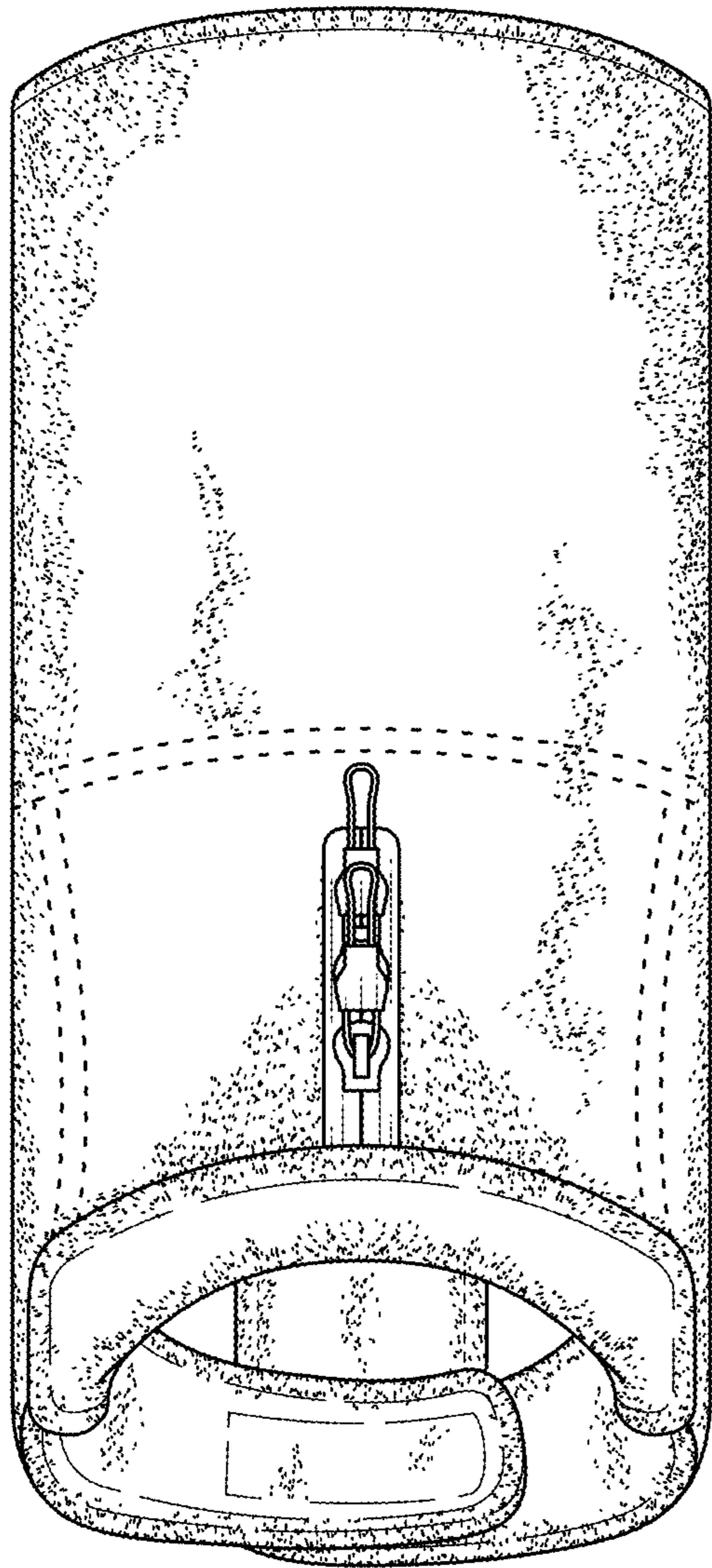


FIG. 6

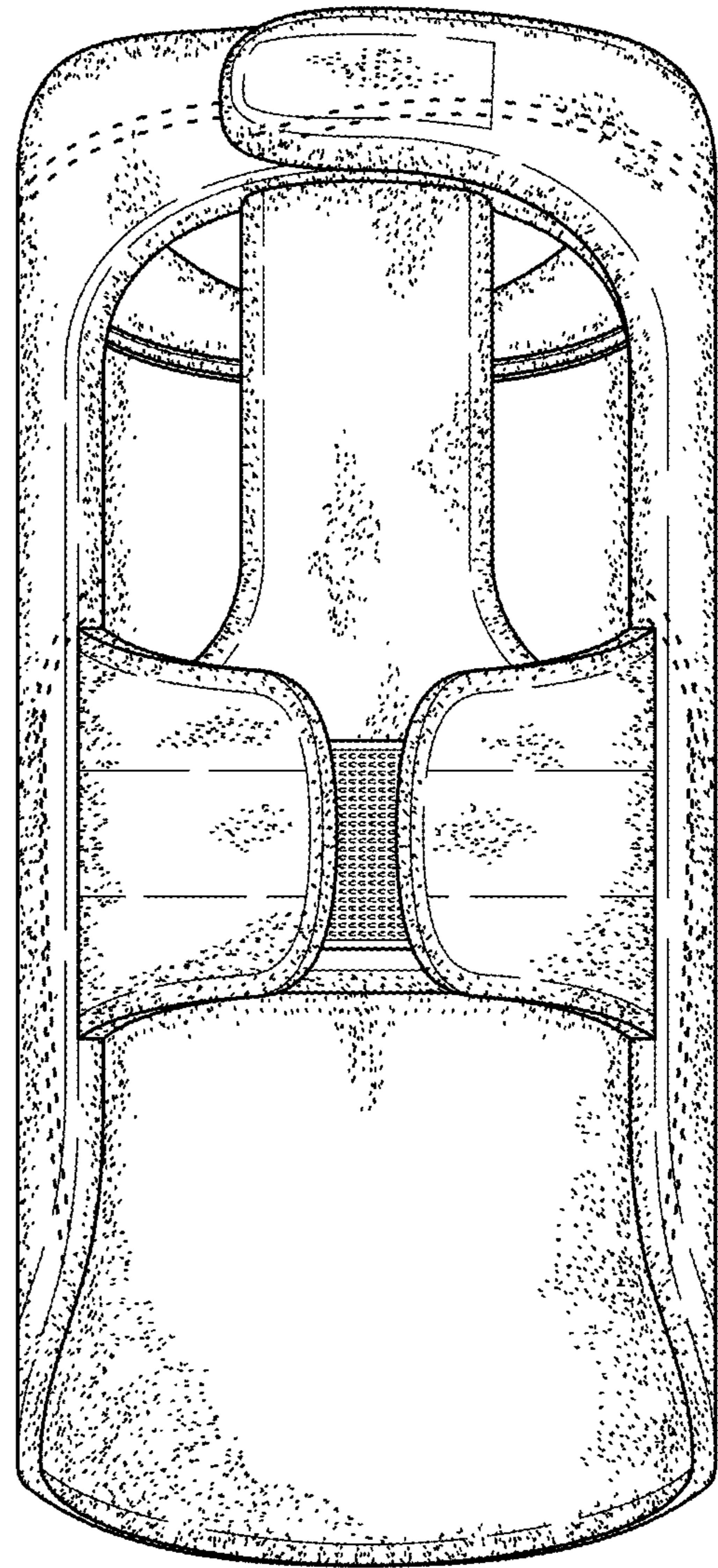


FIG. 7

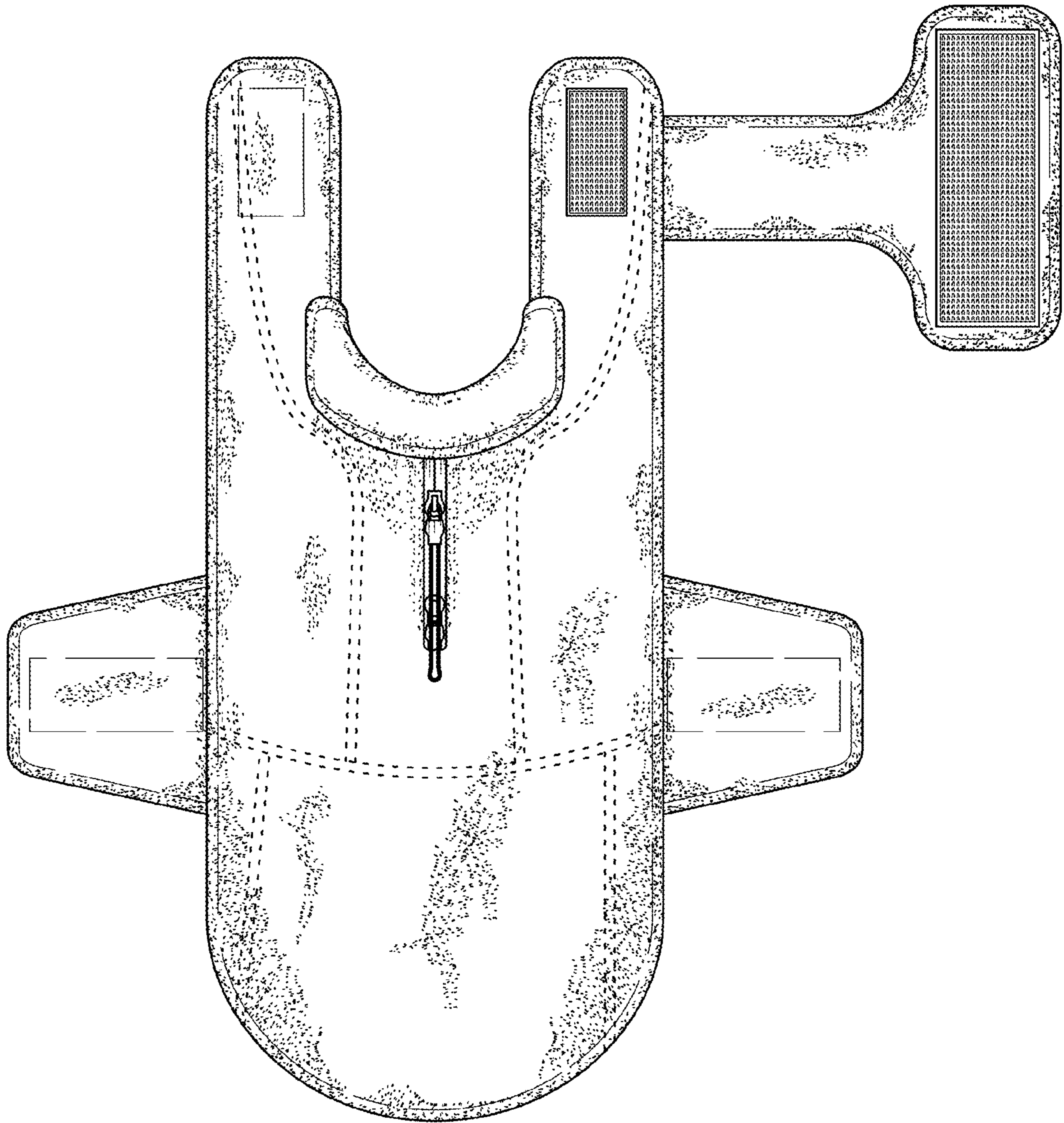


FIG. 8

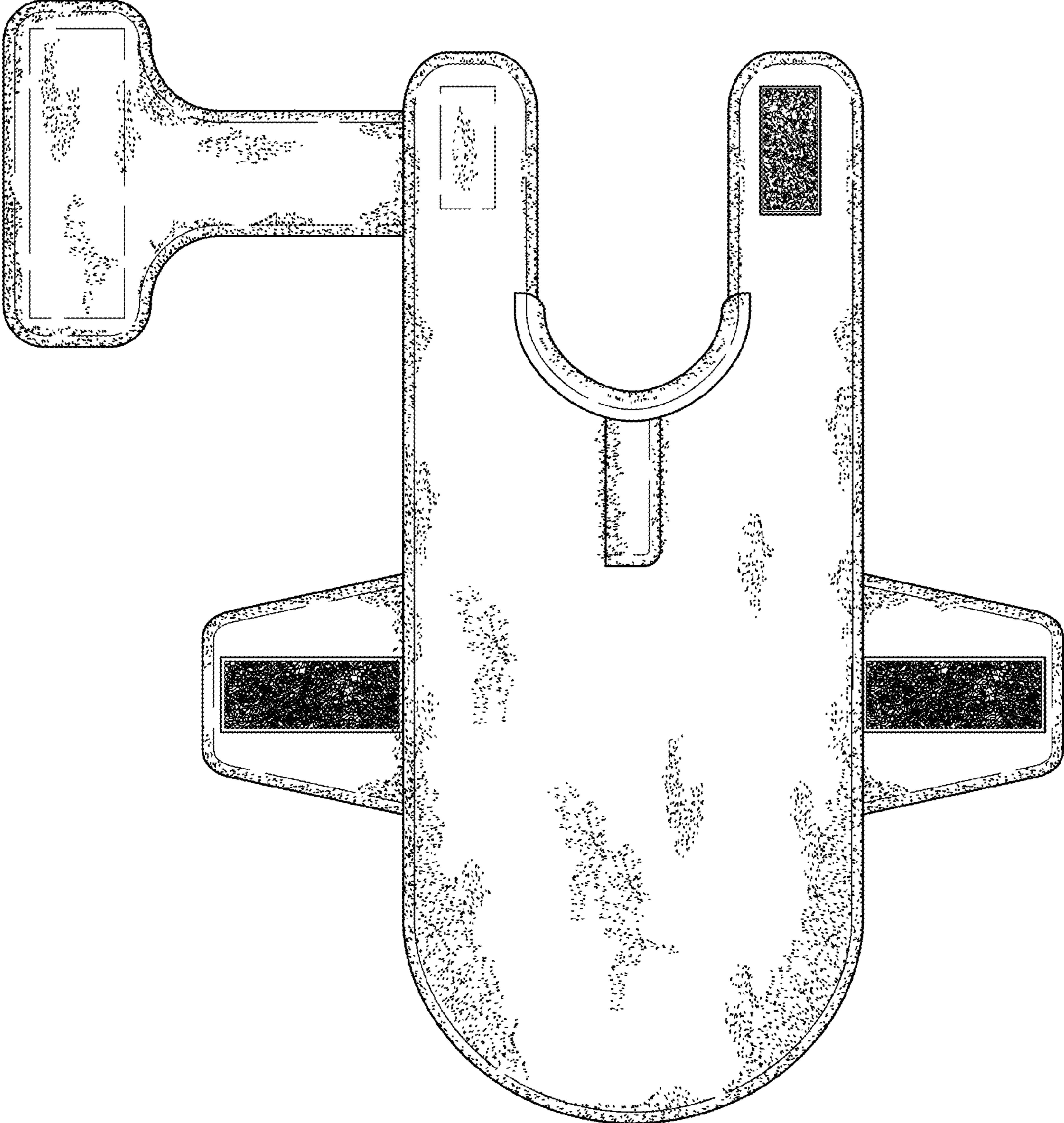


FIG. 9