



US0D1016340S

(12) **United States Design Patent**
Cui et al.

(10) **Patent No.:** **US D1,016,340 S**

(45) **Date of Patent:** **** Feb. 27, 2024**

- (54) **LAMP**
- (71) Applicant: **Andon Health Co., Ltd.**, Tianjin (CN)
- (72) Inventors: **He Cui**, Tianjin (CN); **Fei Zhang**, Tianjin (CN)
- (73) Assignee: **Andon Health Co., Ltd.**, Tianjin (CN)
- (**) Term: **15 Years**

D732,710 S * 6/2015 Anderson D26/2
 D732,715 S * 6/2015 Yang D26/2
 D732,716 S * 6/2015 Yang D26/2

(Continued)

Primary Examiner — Natasha Vujcic
Assistant Examiner — Robert B Rieker
 (74) *Attorney, Agent, or Firm* — Westbridge IP LLC

(57) **CLAIM**

The ornamental design for a lamp, as shown and described.

DESCRIPTION

- (21) Appl. No.: **29/759,035**
- (22) Filed: **Nov. 19, 2020**
- (30) **Foreign Application Priority Data**
 Nov. 9, 2020 (CN) 202030674548.0
- (51) **LOC (14) Cl.** **26-04**
- (52) **U.S. Cl.**
 USPC **D26/2**
- (58) **Field of Classification Search**
 USPC D26/2-5, 72-92
 CPC F21Y 2115/10; F21Y 13/13; F21Y 5/10;
 F21K 9/23; F21V 19/001; H05B 45/357;
 G02B 6/0021
 See application file for complete search history.

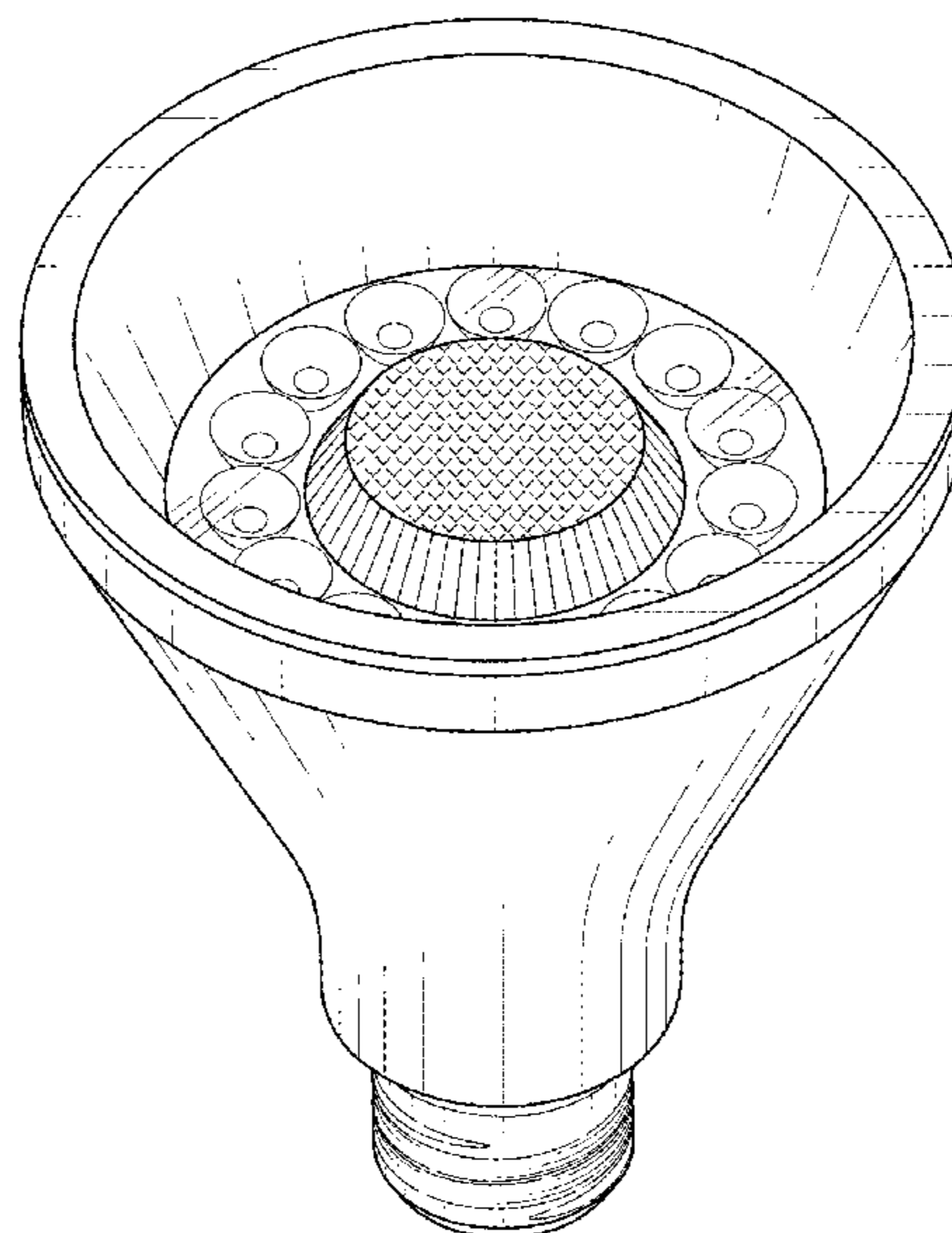
FIG. 1 is a top perspective view of a first embodiment of a lamp showing our new design;
 FIG. 2 is a front elevational view thereof;
 FIG. 3 is a rear elevational view thereof;
 FIG. 4 is a left side elevational view thereof;
 FIG. 5 is a right side elevational view thereof;
 FIG. 6 is a top plan view thereof;
 FIG. 7 is a bottom plan view thereof;
 FIG. 8 is a sectional view taken along line 8-8 of FIG. 6;
 FIG. 9 is a top perspective view of a second embodiment of a lamp showing our new design;
 FIG. 10 is a front elevational view of the second embodiment thereof;
 FIG. 11 is a rear elevational view of the second embodiment thereof;
 FIG. 12 is a left side elevational view of the second embodiment thereof;
 FIG. 13 is a right side elevational view of the second embodiment thereof;
 FIG. 14 is a top plan view of the second embodiment thereof;
 FIG. 15 is a bottom plan view of the second embodiment thereof; and,
 FIG. 16 is a sectional view taken along line 16-16 of FIG. 14.
 The broken lines in the drawings illustrate portions of the lamp and form no part of the claimed design.

(56) **References Cited**

U.S. PATENT DOCUMENTS

- D497,439 S * 10/2004 Shaw D26/2
- D527,119 S * 8/2006 Maxik D26/2
- D538,952 S * 3/2007 Maxik D26/2
- D571,489 S * 6/2008 Opolka D26/2
- D610,722 S * 2/2010 Bi D26/2
- D621,973 S * 8/2010 Grajcar D26/2
- D636,904 S * 4/2011 Leahy D26/2
- D647,226 S * 10/2011 Huang D26/2
- D656,631 S * 3/2012 Leahy D26/2
- D663,049 S * 7/2012 Wada D26/2
- D713,565 S * 9/2014 Yang D26/2

1 Claim, 14 Drawing Sheets



(56)

References Cited

U.S. PATENT DOCUMENTS

D741,517 S * 10/2015 Hwang D26/2
D743,585 S * 11/2015 Ding D26/2
D794,839 S * 8/2017 Zhou D26/2

* cited by examiner

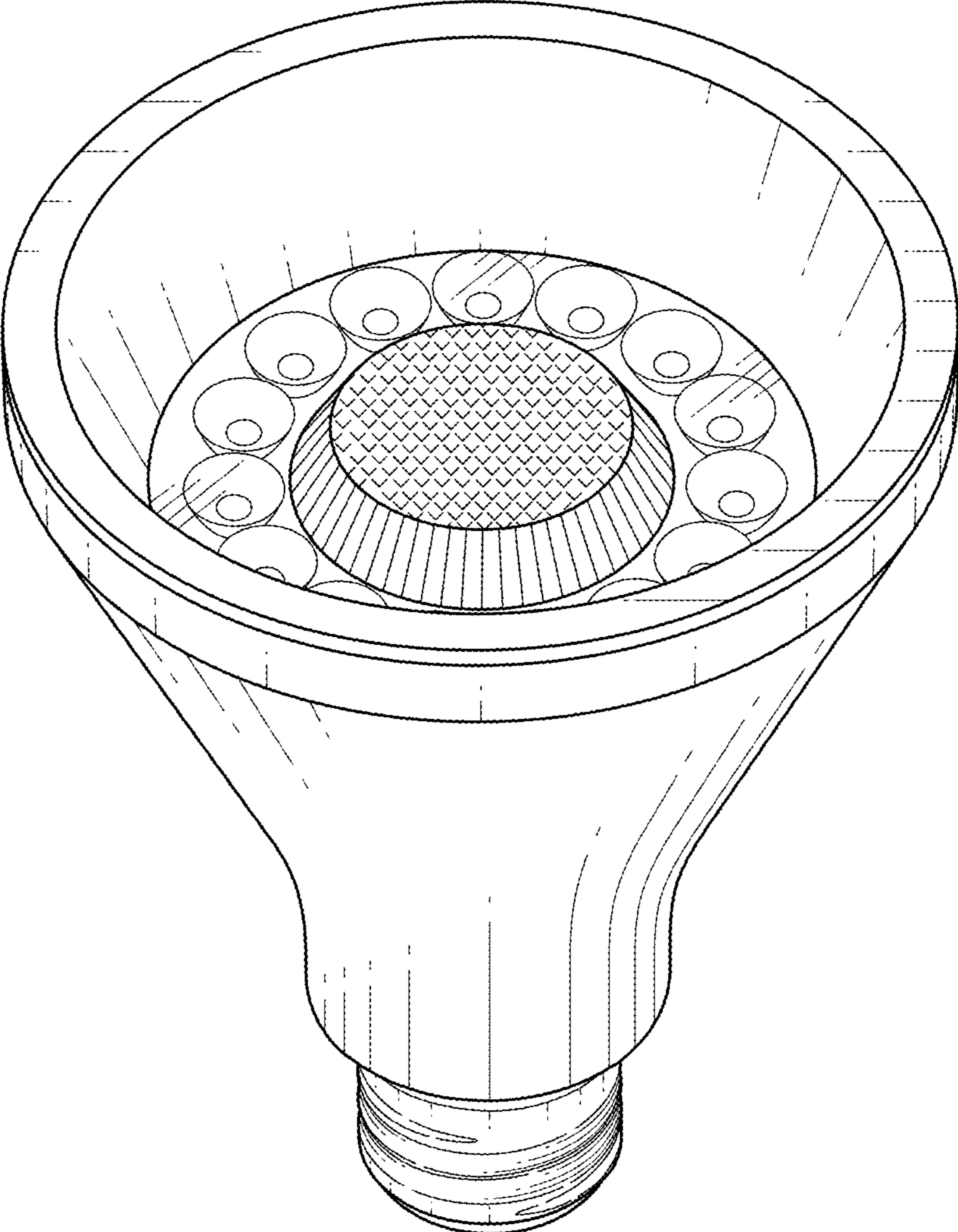


FIG. 1

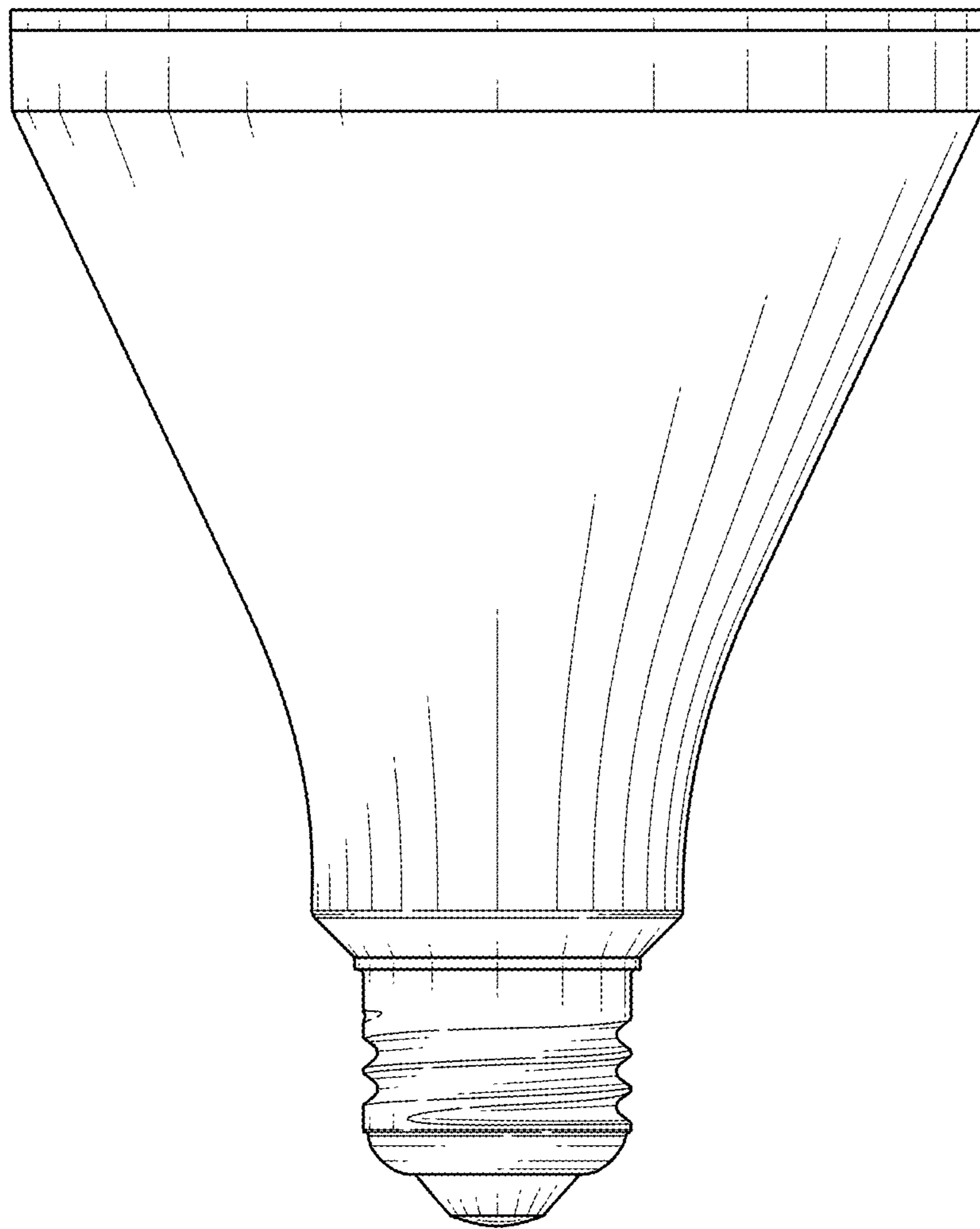


FIG. 2

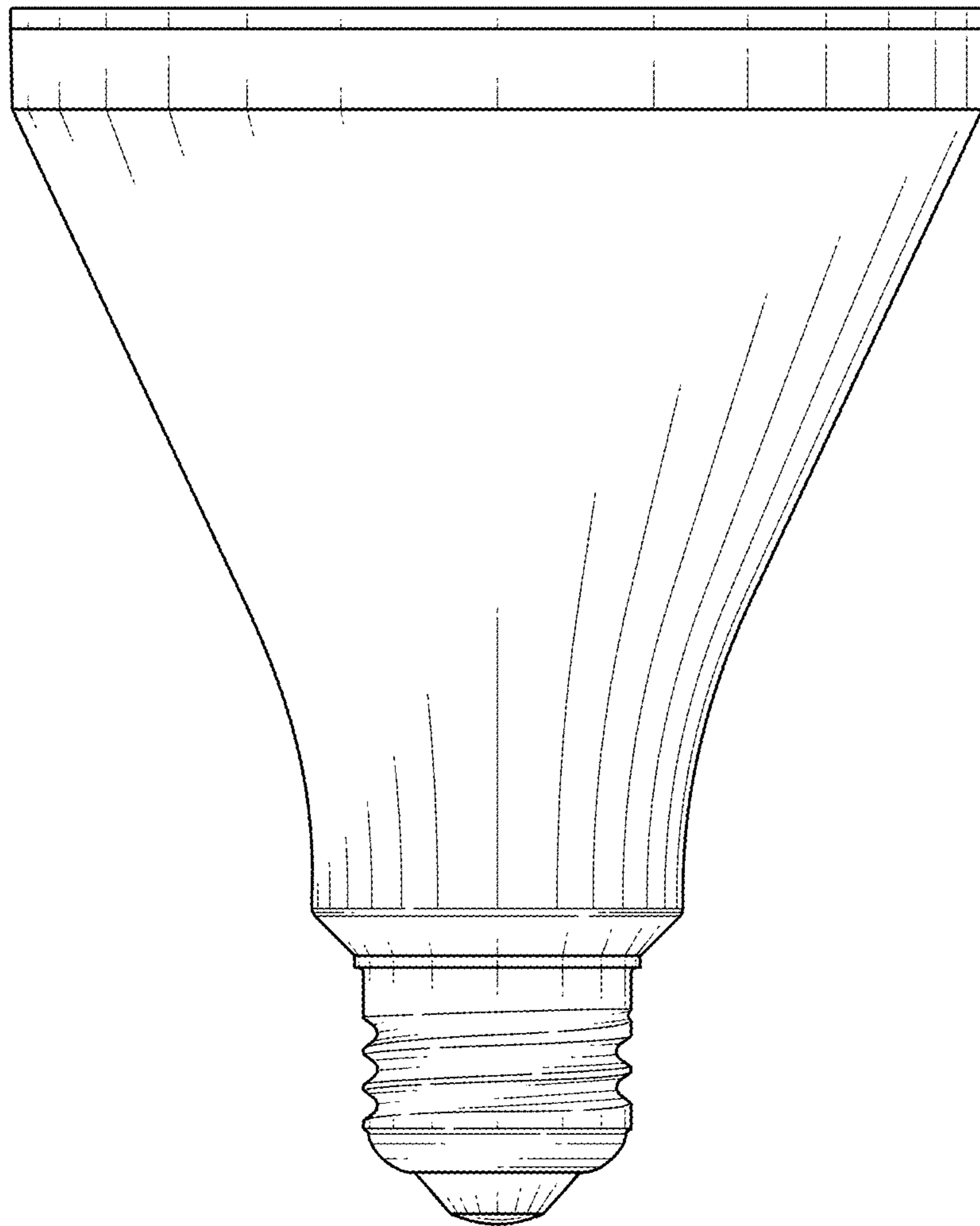


FIG. 3

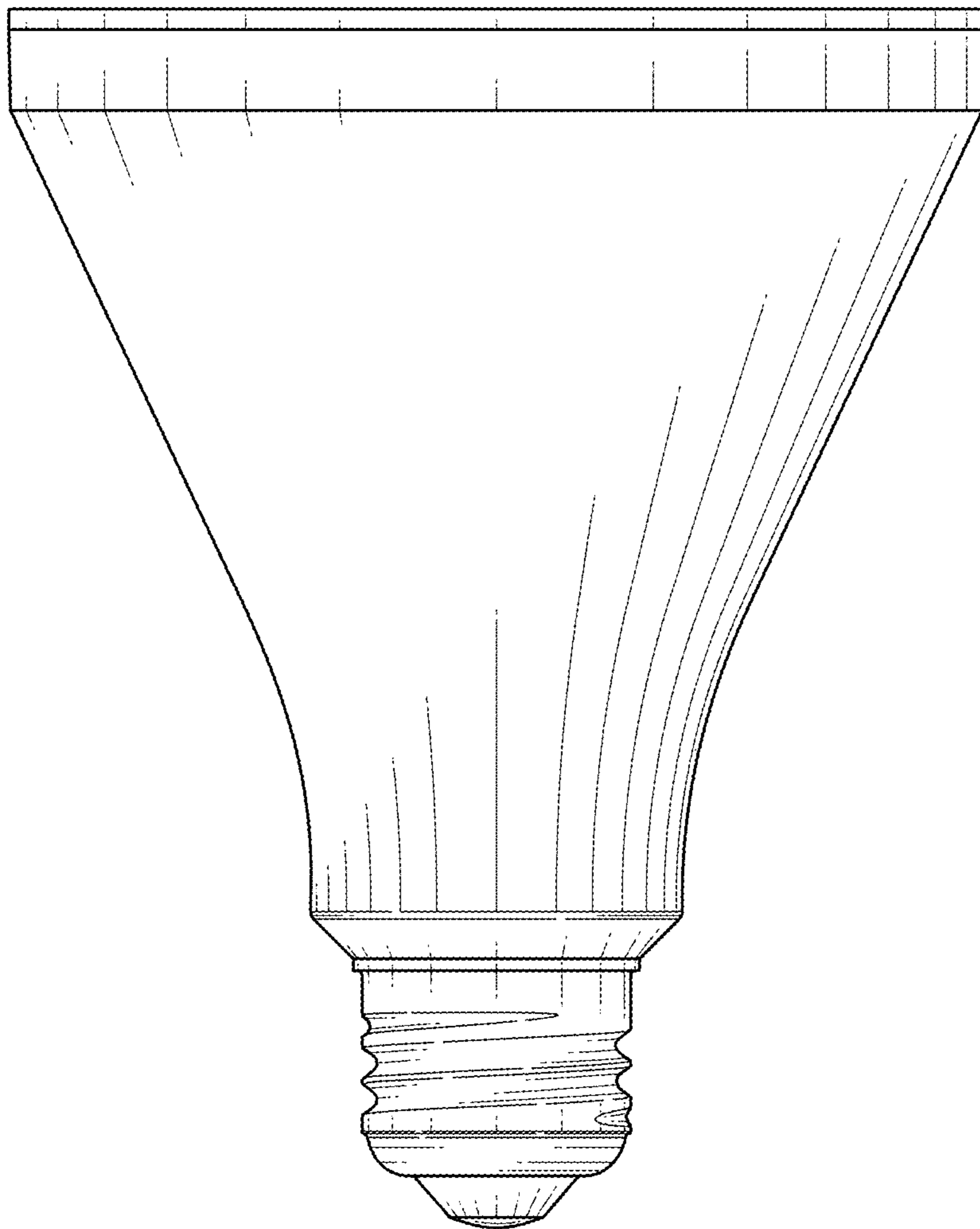


FIG. 4

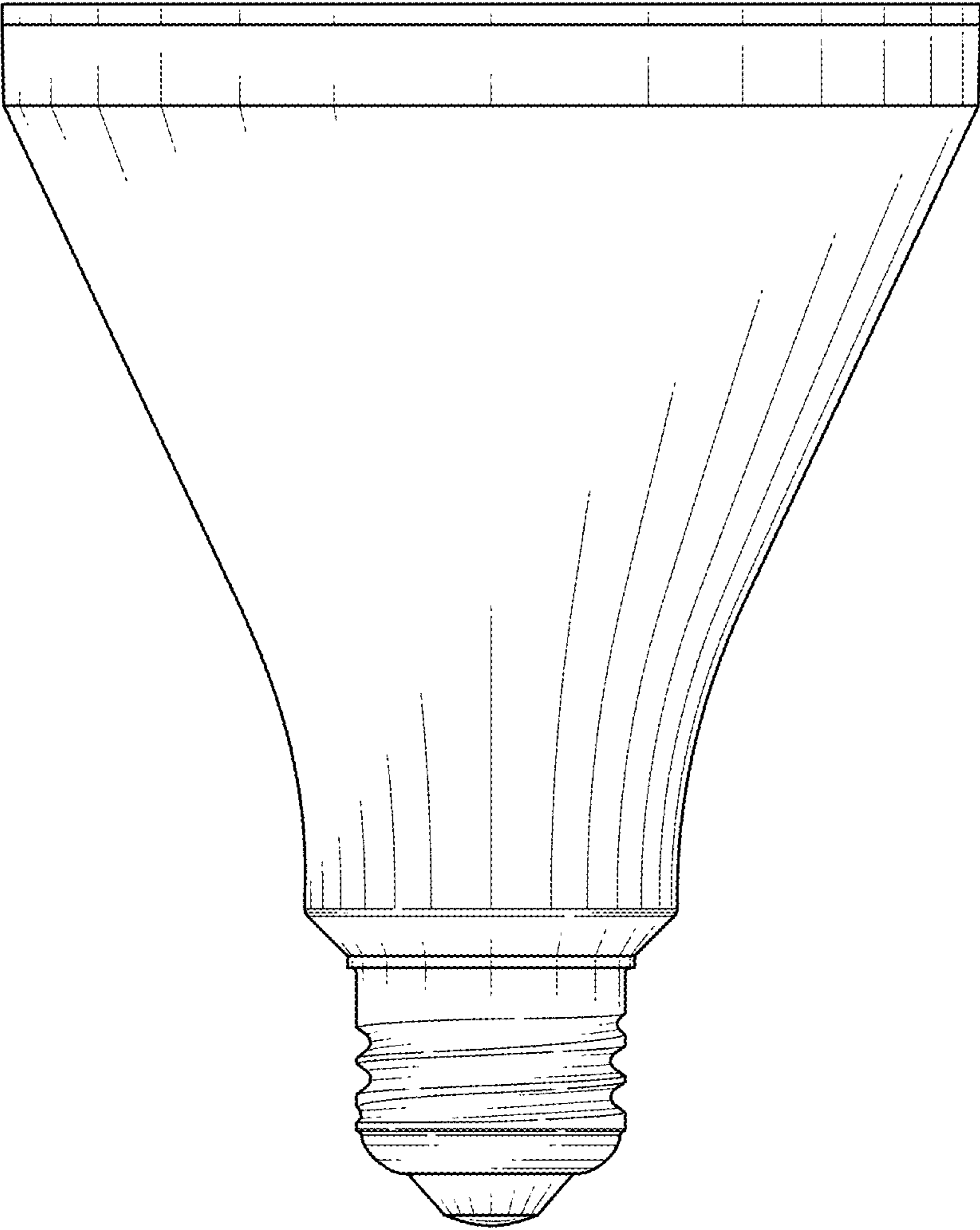


FIG. 5

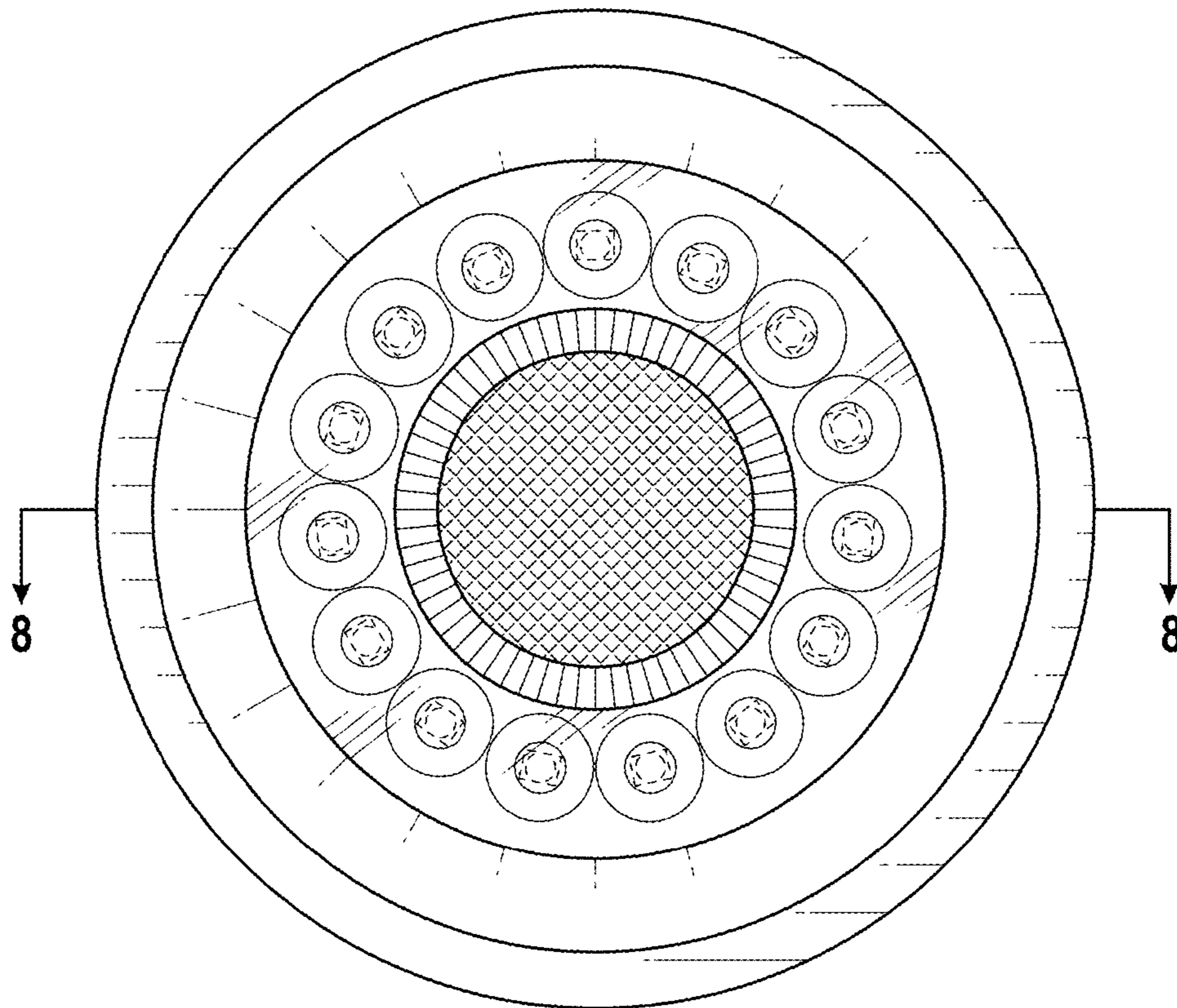


FIG. 6

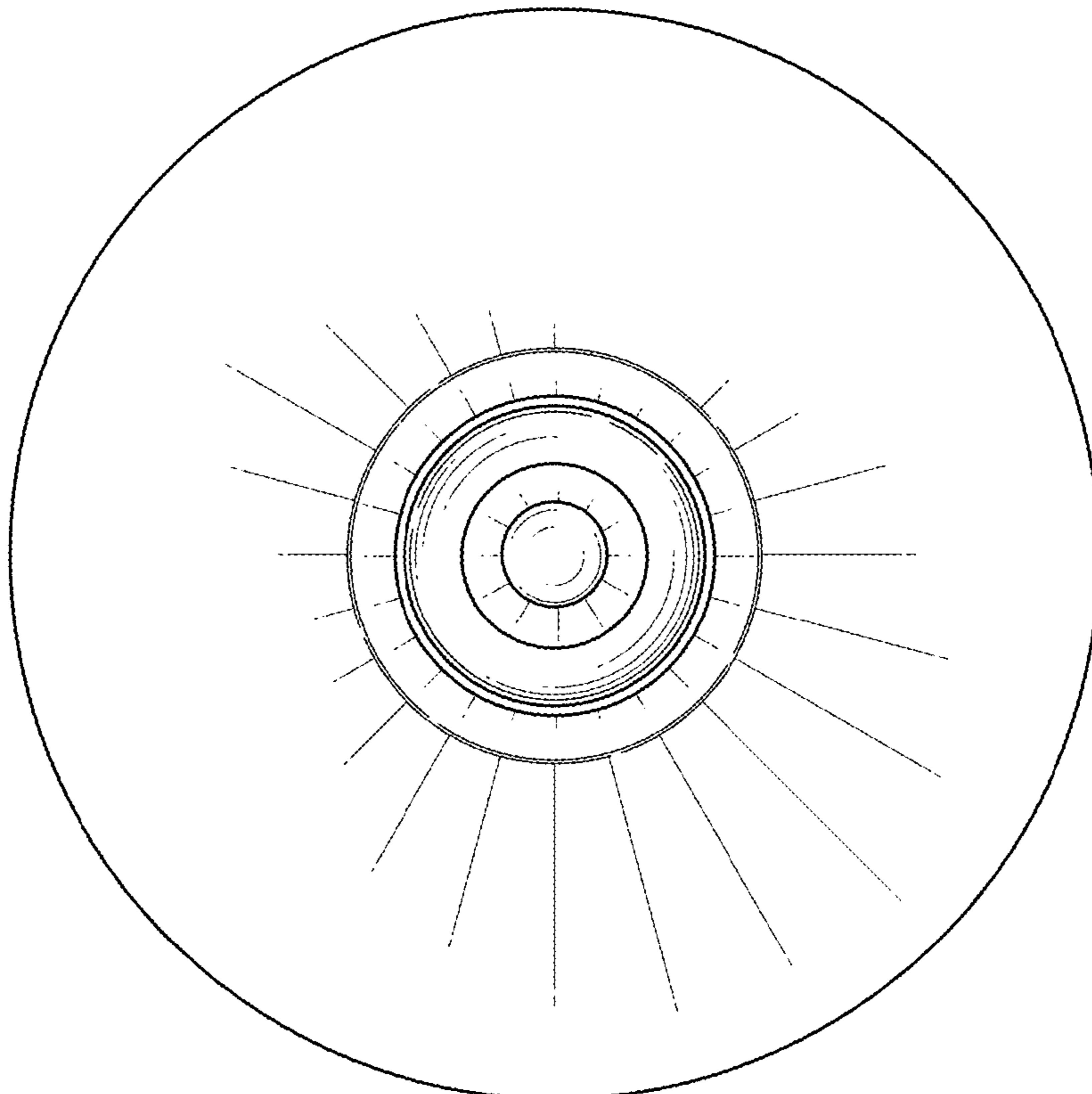


FIG. 7

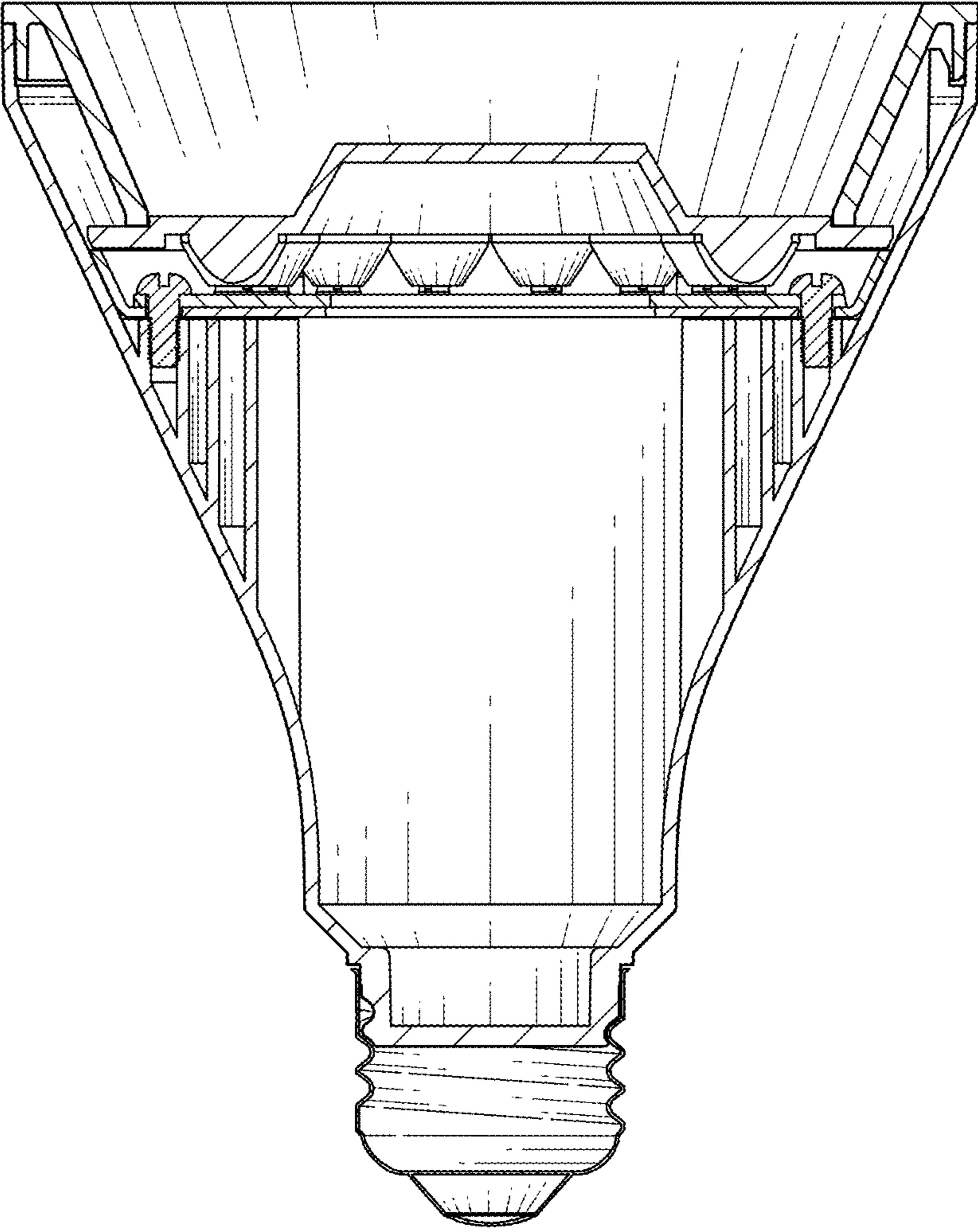


FIG. 8

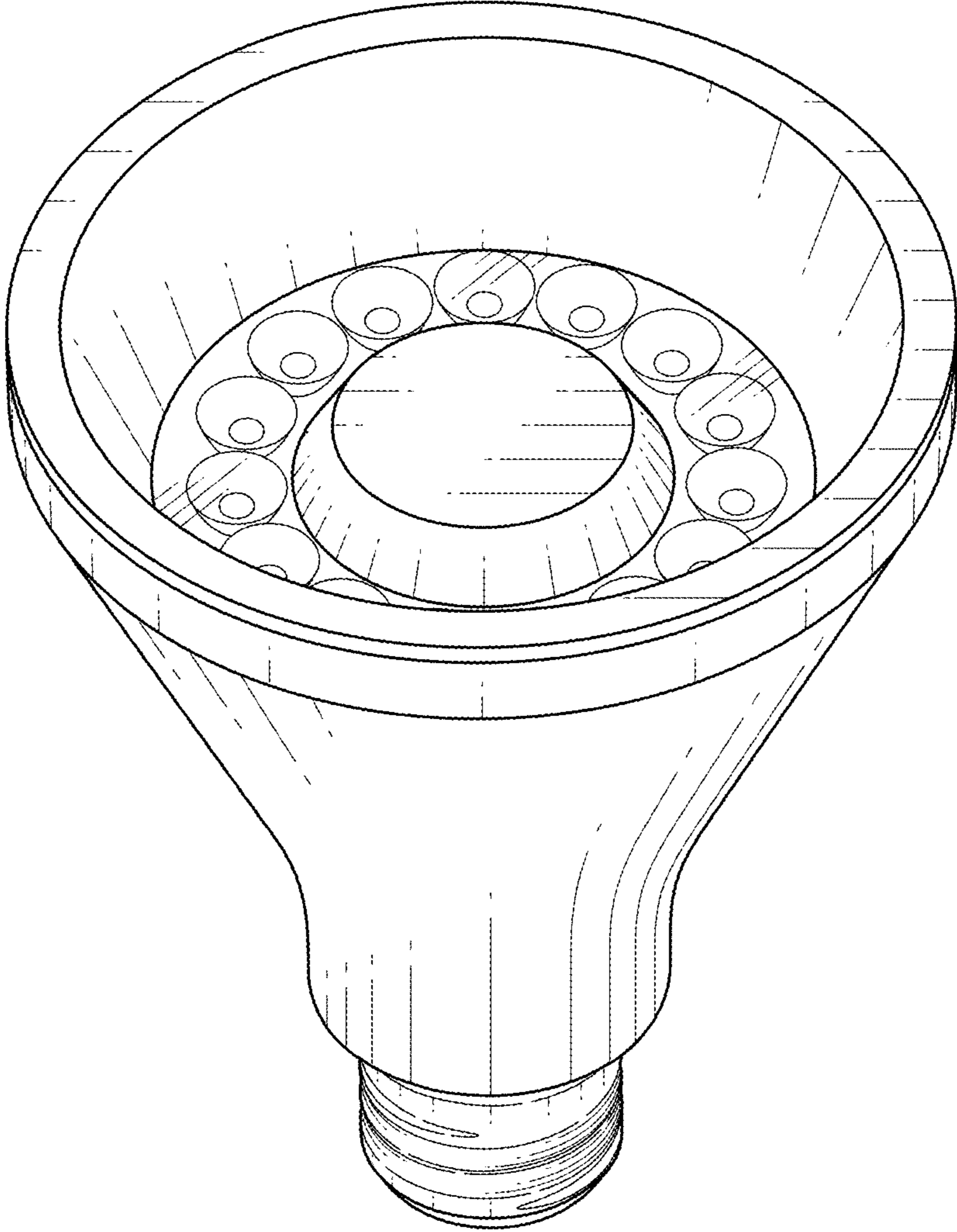


FIG. 9

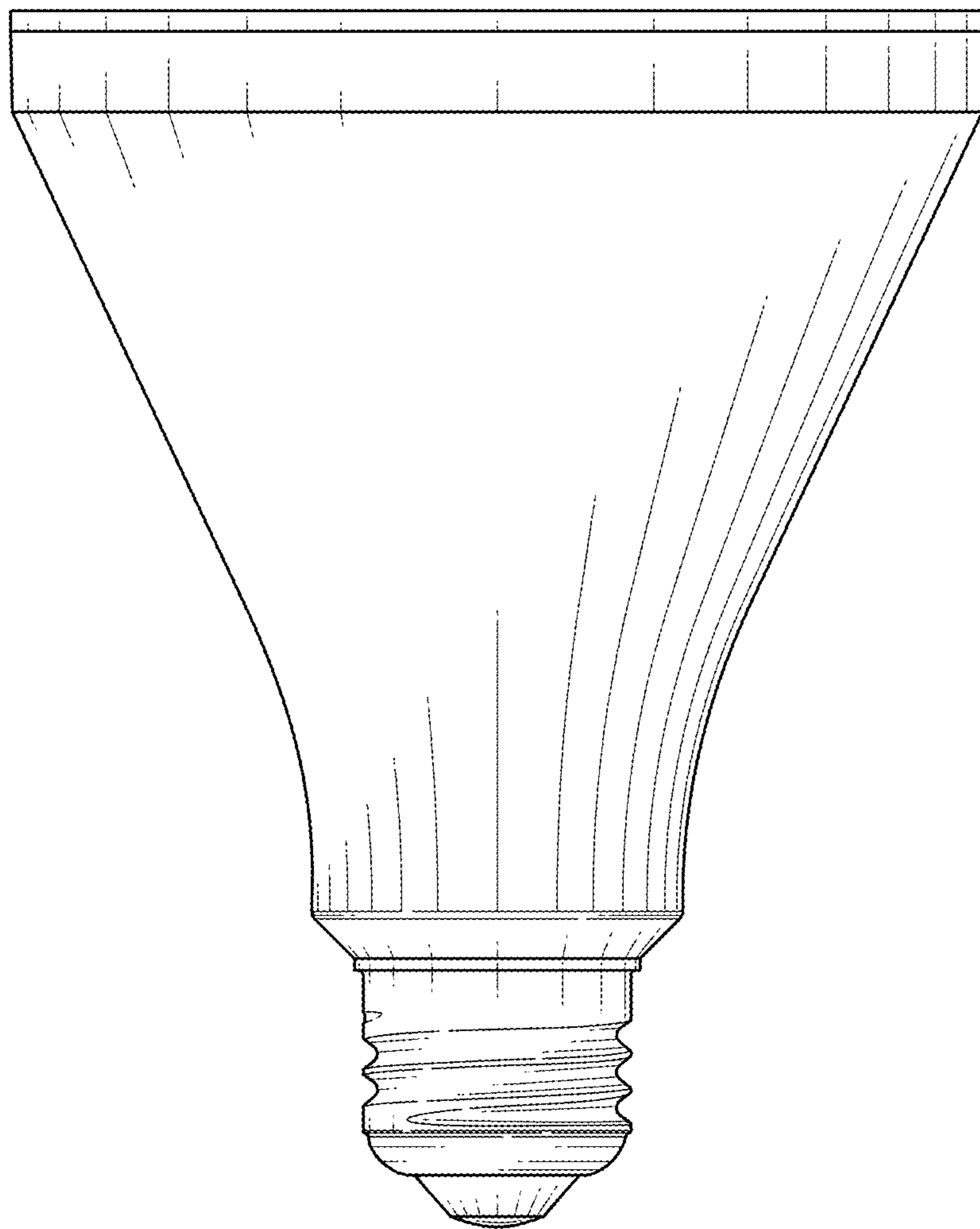


FIG. 10

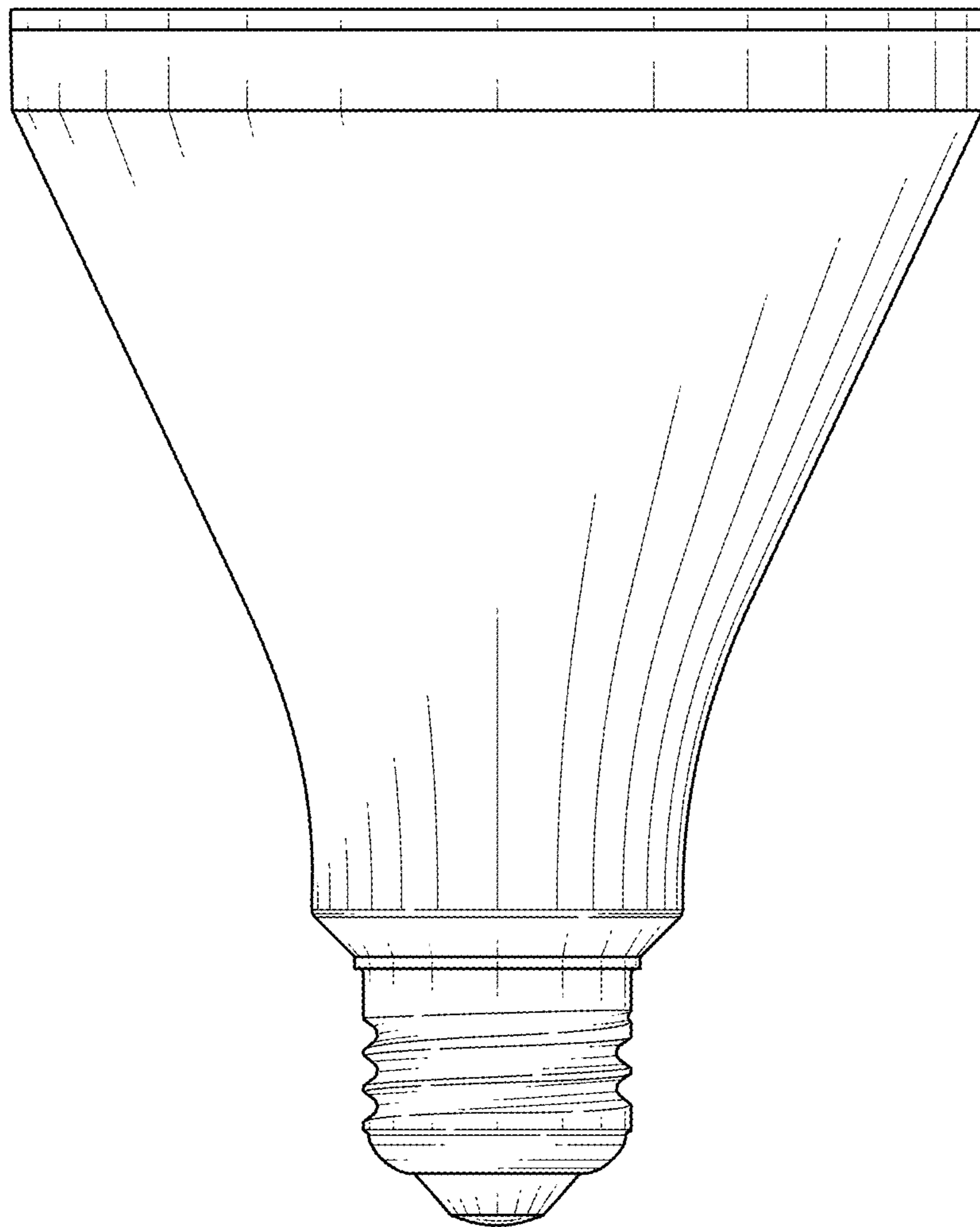


FIG. 11

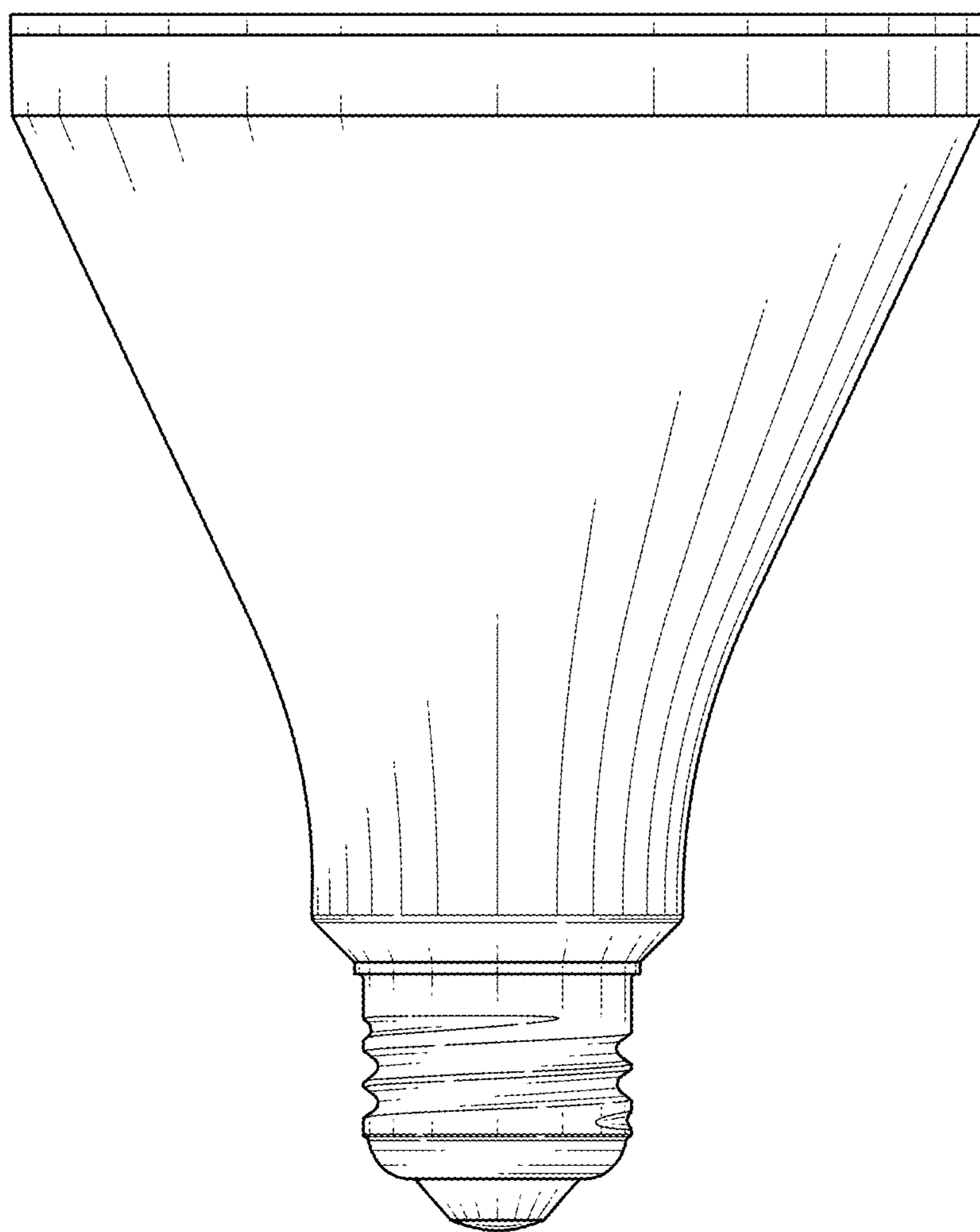


FIG. 12

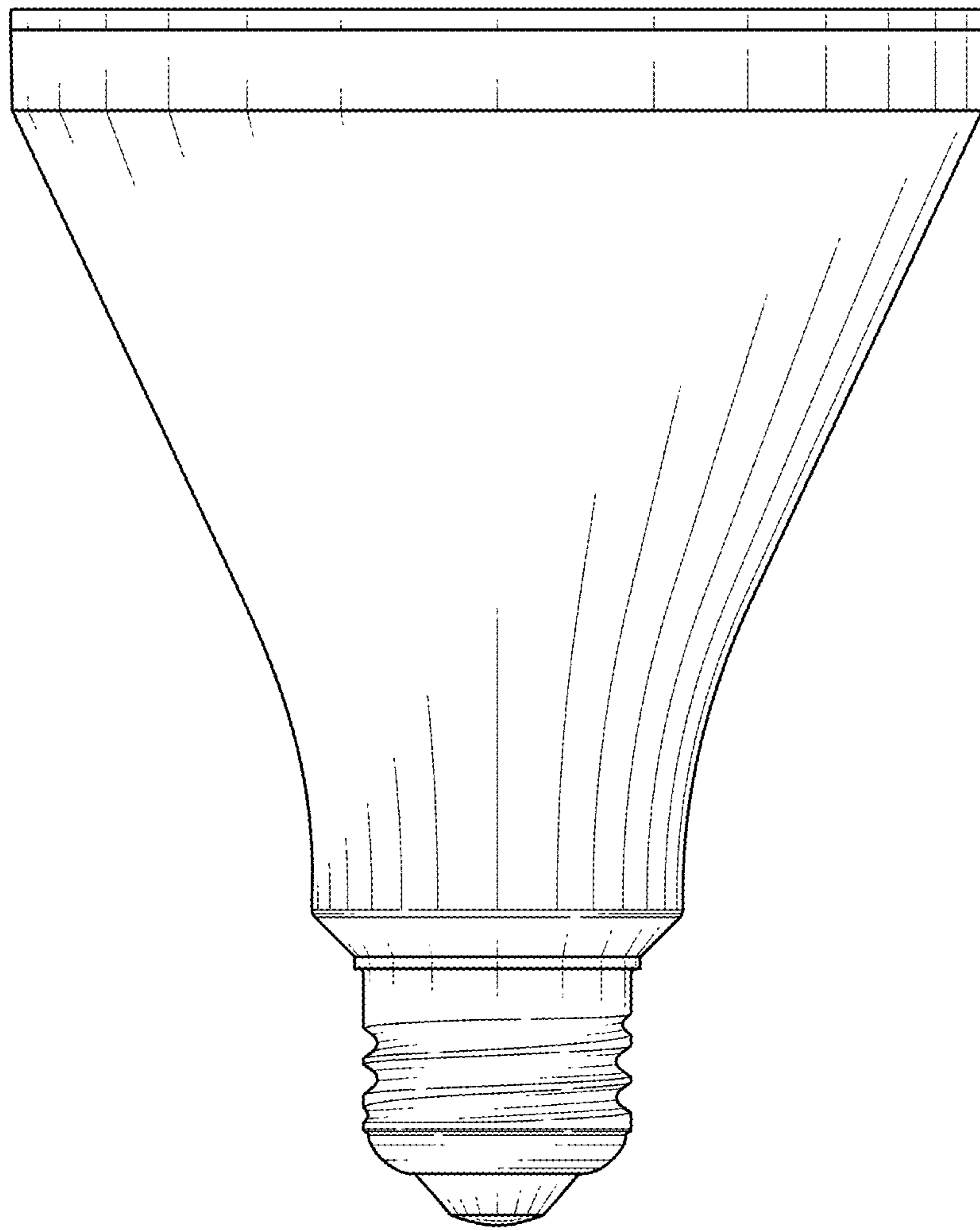


FIG. 13

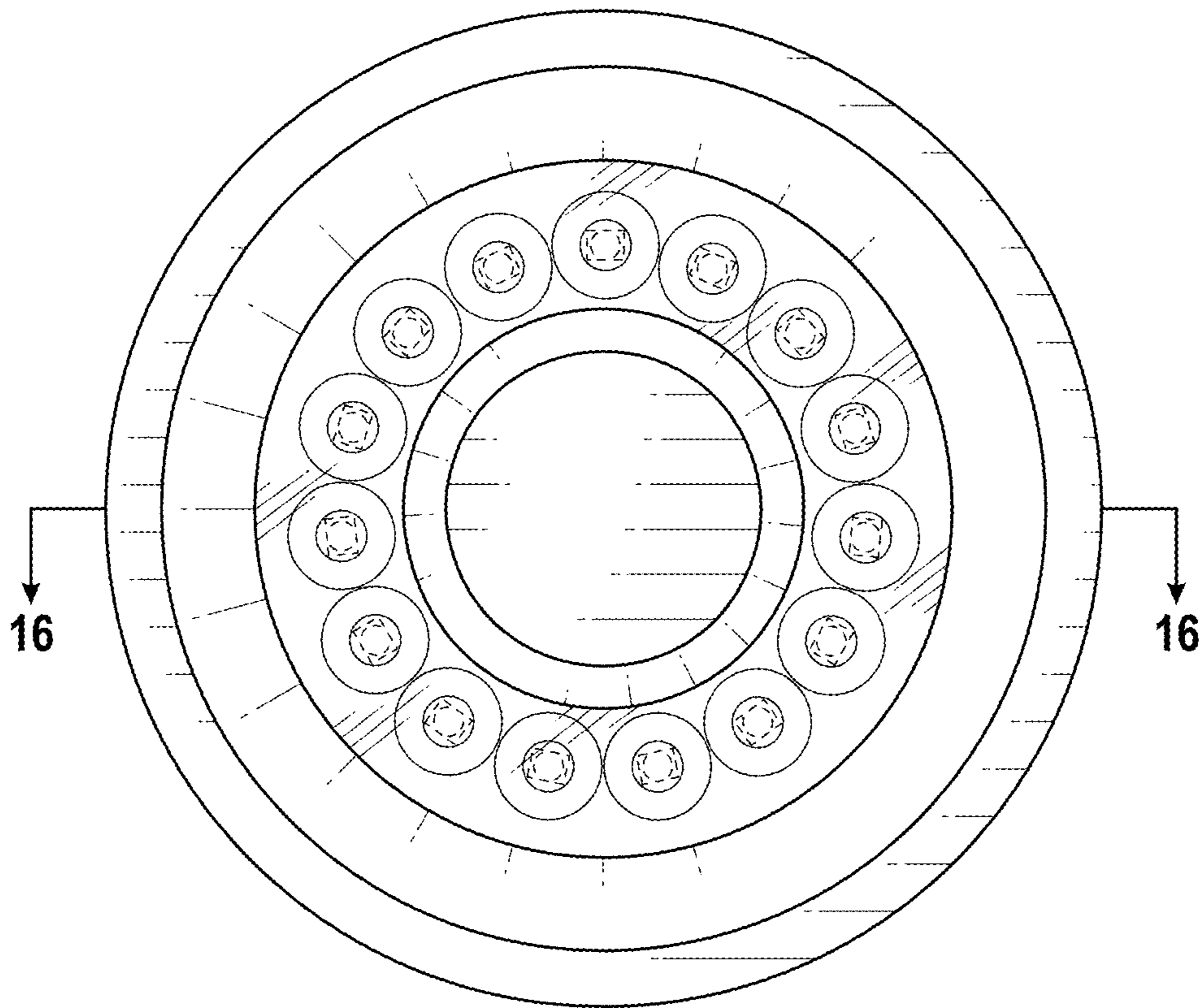


FIG. 14

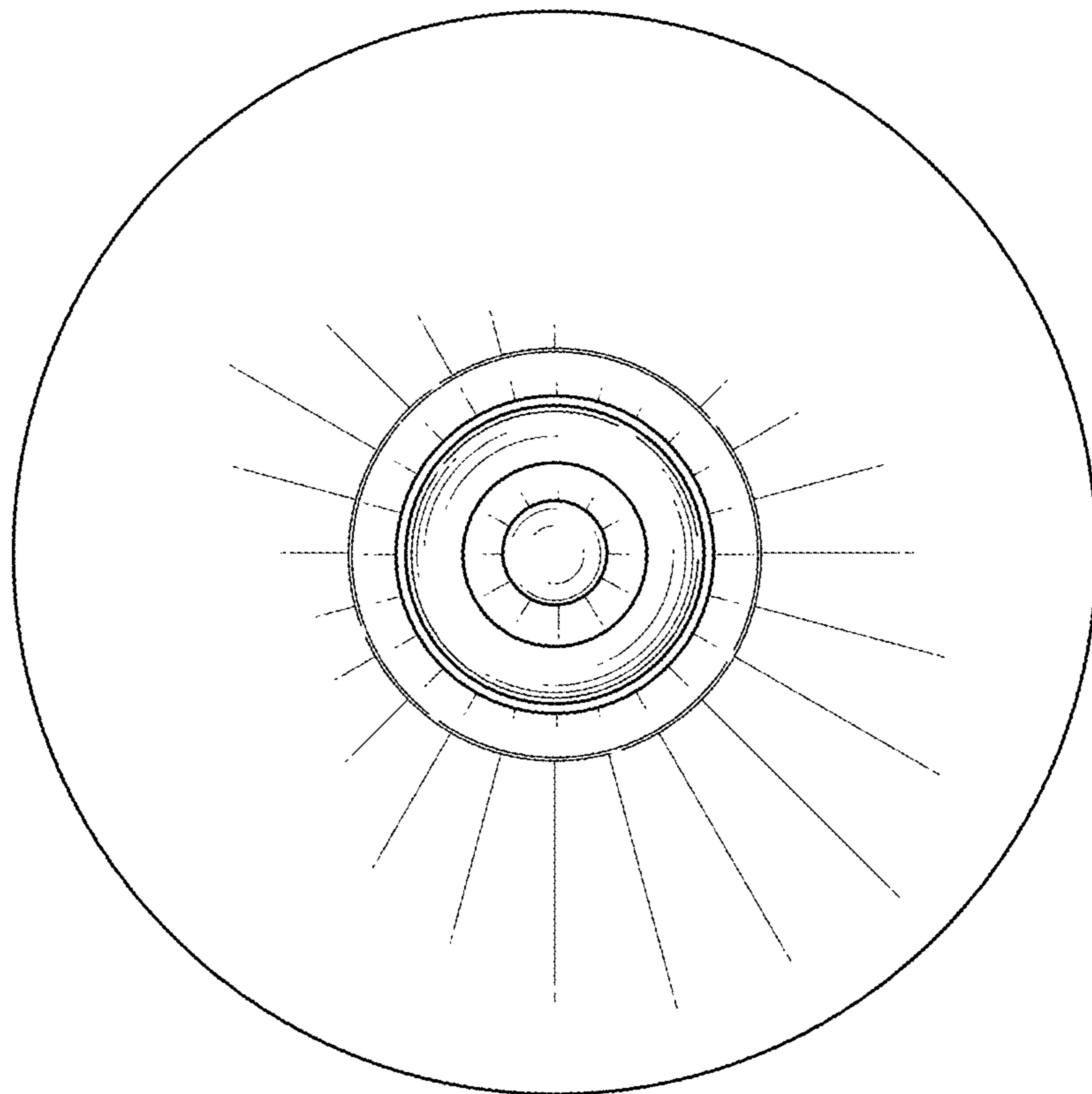


FIG. 15

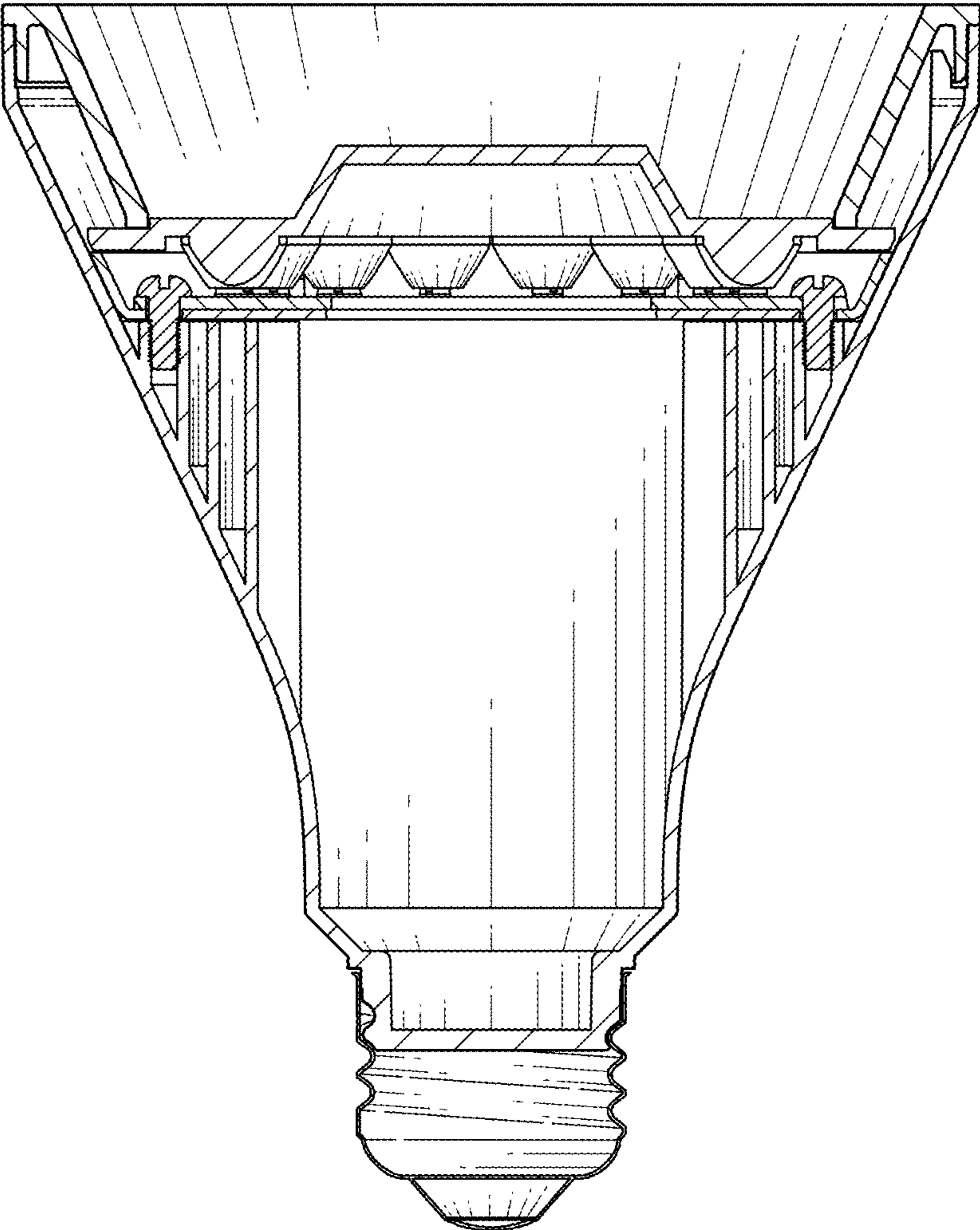


FIG. 16