



US0D1016255S

(12) **United States Design Patent** (10) **Patent No.: US D1,016,255 S**
Sun (45) **Date of Patent: ** Feb. 27, 2024**

(54) **POTTY SEAT**

FOREIGN PATENT DOCUMENTS

(71) Applicant: **TAI ZHOU HAوبا MATERNAL AND BABY PRODUCTS CO., LTD.,**
Taizhou (CN)

CN 302903156 * 8/2014
CN 306463378 * 4/2021

(72) Inventor: **Weirong Sun,** Taizhou (CN)

OTHER PUBLICATIONS

(73) Assignee: **TAI ZHOU HAوبا MATERNAL AND BABY PRODUCTS CO., LTD.,**
Taizhou (CN)

Kalencom 2-in-1 Potette Plus, announced Nov. 1, 2011[online], [site visited Jun. 28, 2023]. Available from internet, URL:<<https://www.amazon.ca/Kalencom-2-in-1-Potette-Plus-Blue/dp/B0016L0MMS>> (Year: 2011).*

(**) Term: **15 Years**

* cited by examiner

(21) Appl. No.: **29/783,222**

Primary Examiner — David G Muller
Assistant Examiner — Jamaal Rasheed

(22) Filed: **May 12, 2021**

(74) *Attorney, Agent, or Firm* — Jack Schwartz

(30) **Foreign Application Priority Data**

Dec. 7, 2020 (CN) 202030751257.7

(51) **LOC (14) Cl.** **23-07**

(52) **U.S. Cl.**
USPC **D23/296**

(58) **Field of Classification Search**
USPC D23/278–279, 295–303, 309, 311, 499
CPC A47K 13/06
See application file for complete search history.

(57) **CLAIM**

The ornamental design for a potty seat, as shown and described.

(56) **References Cited**

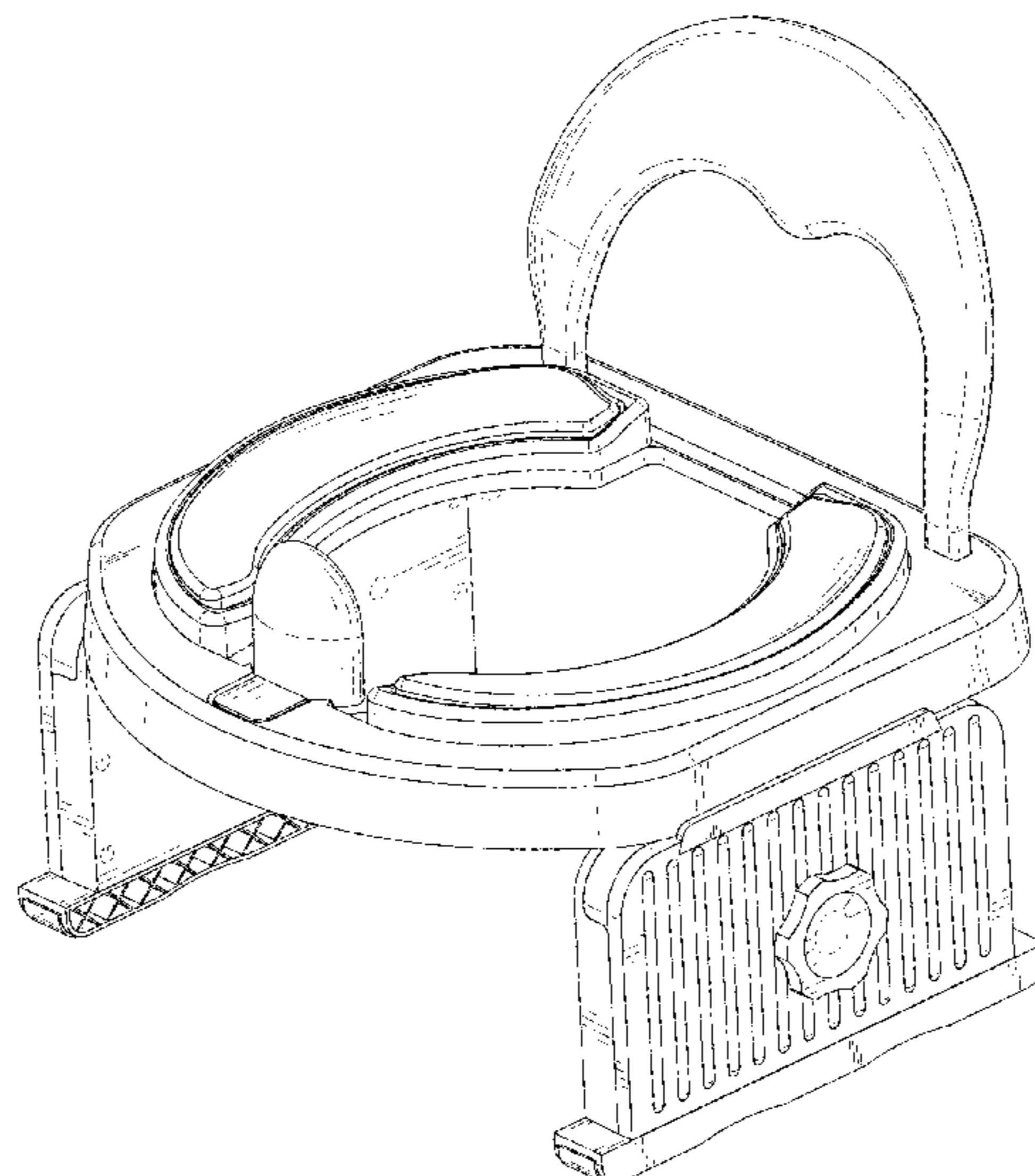
DESCRIPTION

U.S. PATENT DOCUMENTS

4,850,064 A * 7/1989 Cameron E03D 5/01
4/321
D345,202 S * 3/1994 Crossley D23/296
D583,032 S * 12/2008 Lovatt D23/296
D738,475 S * 9/2015 Cohen D23/296
D813,997 S * 3/2018 McGuire D23/296
D892,991 S * 8/2020 Kalozdi D23/296
D896,356 S * 9/2020 Buzzard D23/296
D918,353 S * 5/2021 Xu D23/296
2009/0320194 A1 * 12/2009 Lovatt A47K 11/06
4/237
2019/0357737 A1 * 11/2019 Kwak A47K 13/06

FIG. 1 is a perspective view of a potty seat showing my new design;
FIG. 2 is another perspective view thereof;
FIG. 3 is a front elevational view thereof;
FIG. 4 is a rear elevational view thereof;
FIG. 5 is a left side elevational view thereof;
FIG. 6 is a right side elevational view thereof;
FIG. 7 is a top plan view thereof;
FIG. 8 is a bottom plan view thereof; and,
FIG. 9 is a perspective view of the potty seat where the potty seat is in a configuration of use.
The broken lines in the drawings depict portions of the potty seat that form no part of the claimed design.

1 Claim, 9 Drawing Sheets



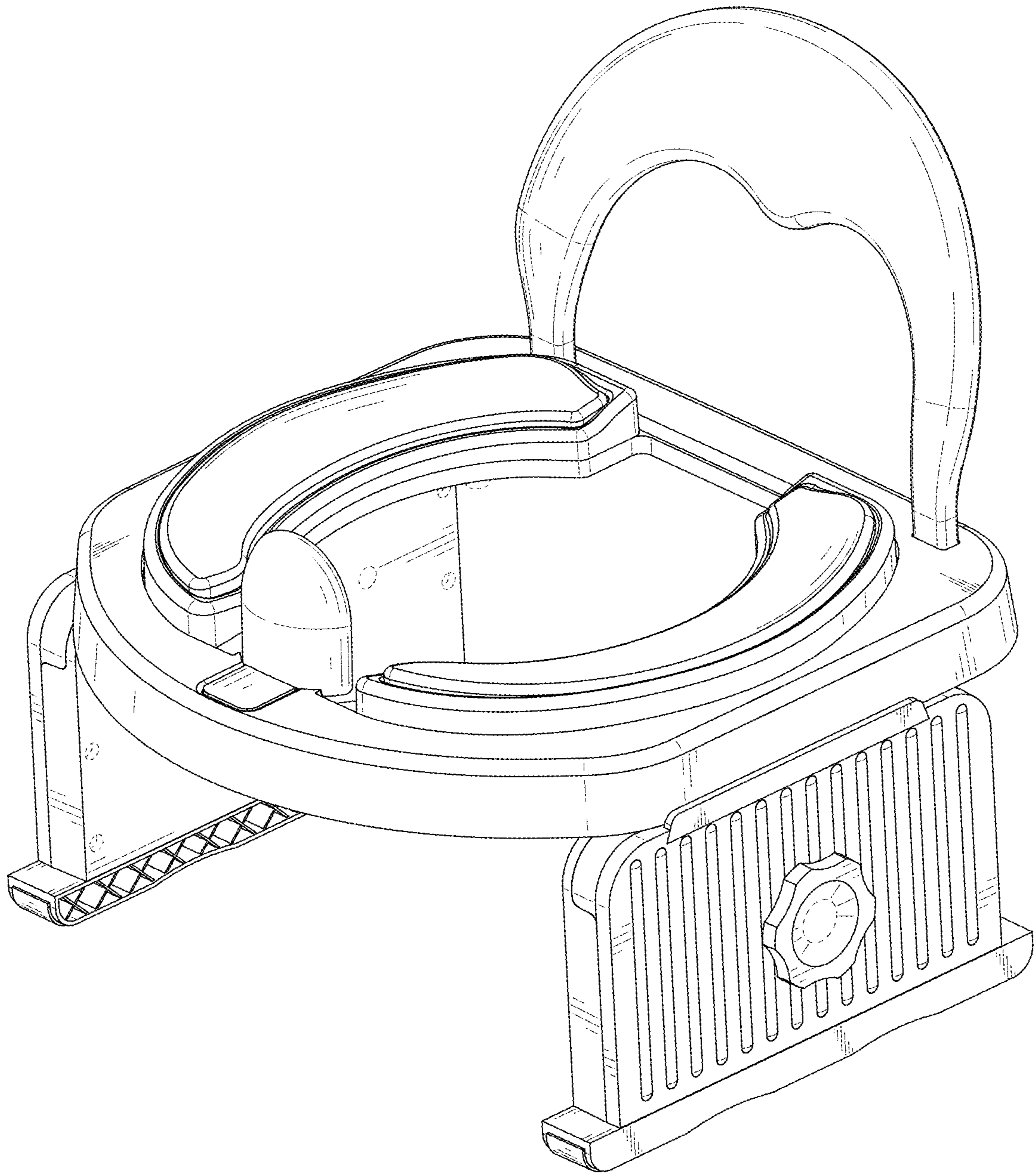


FIG. 1

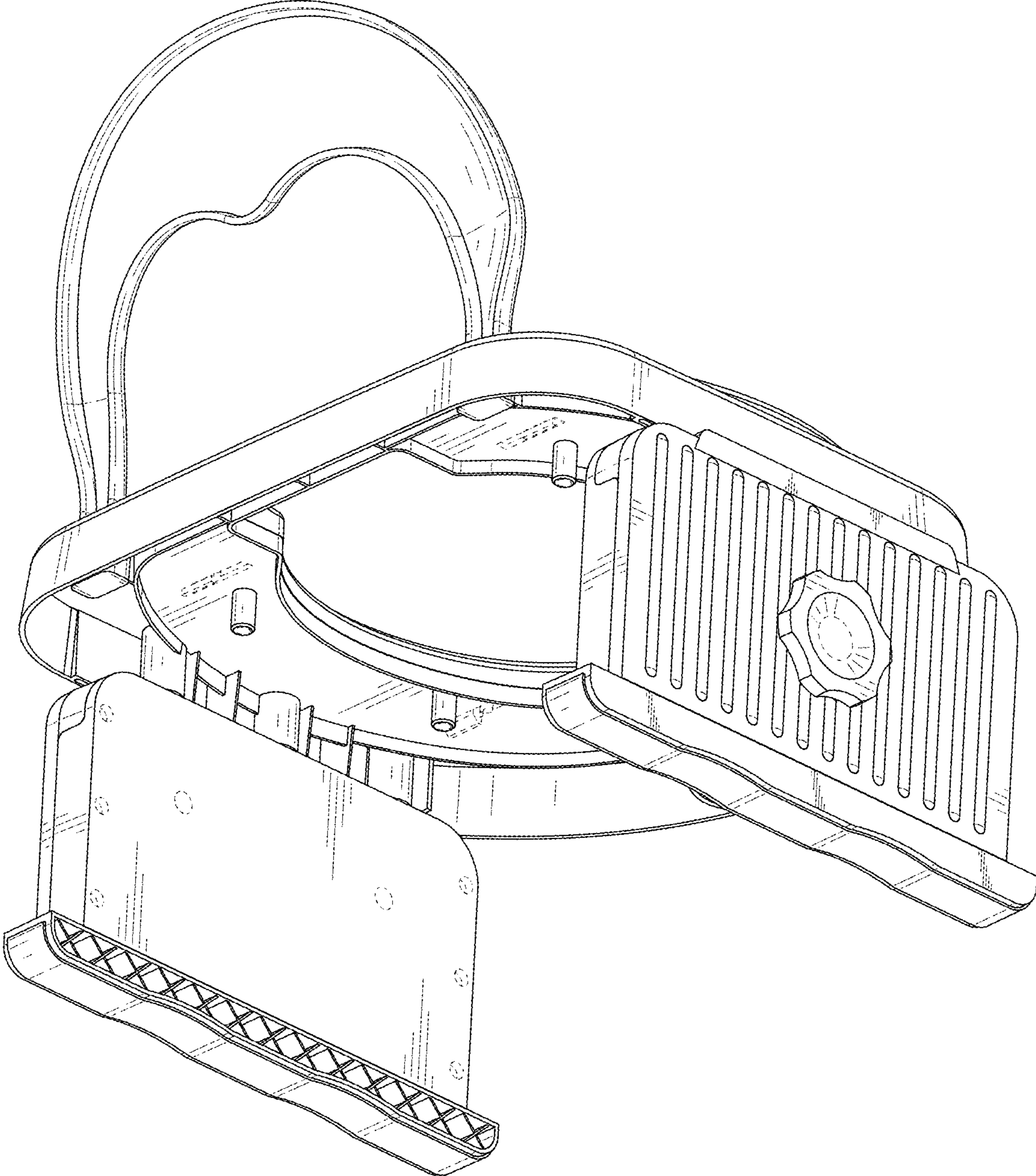


FIG. 2

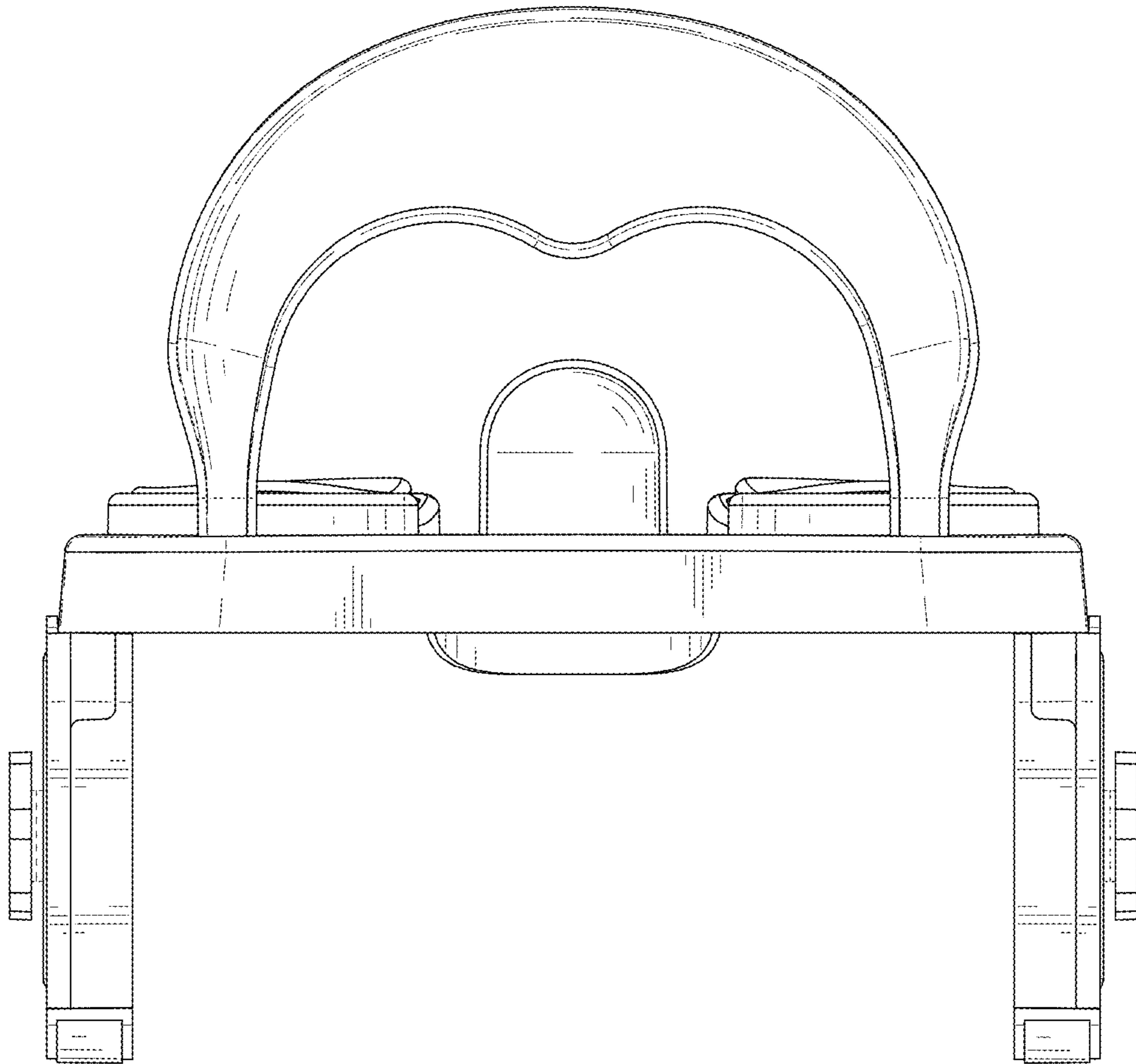


FIG. 3

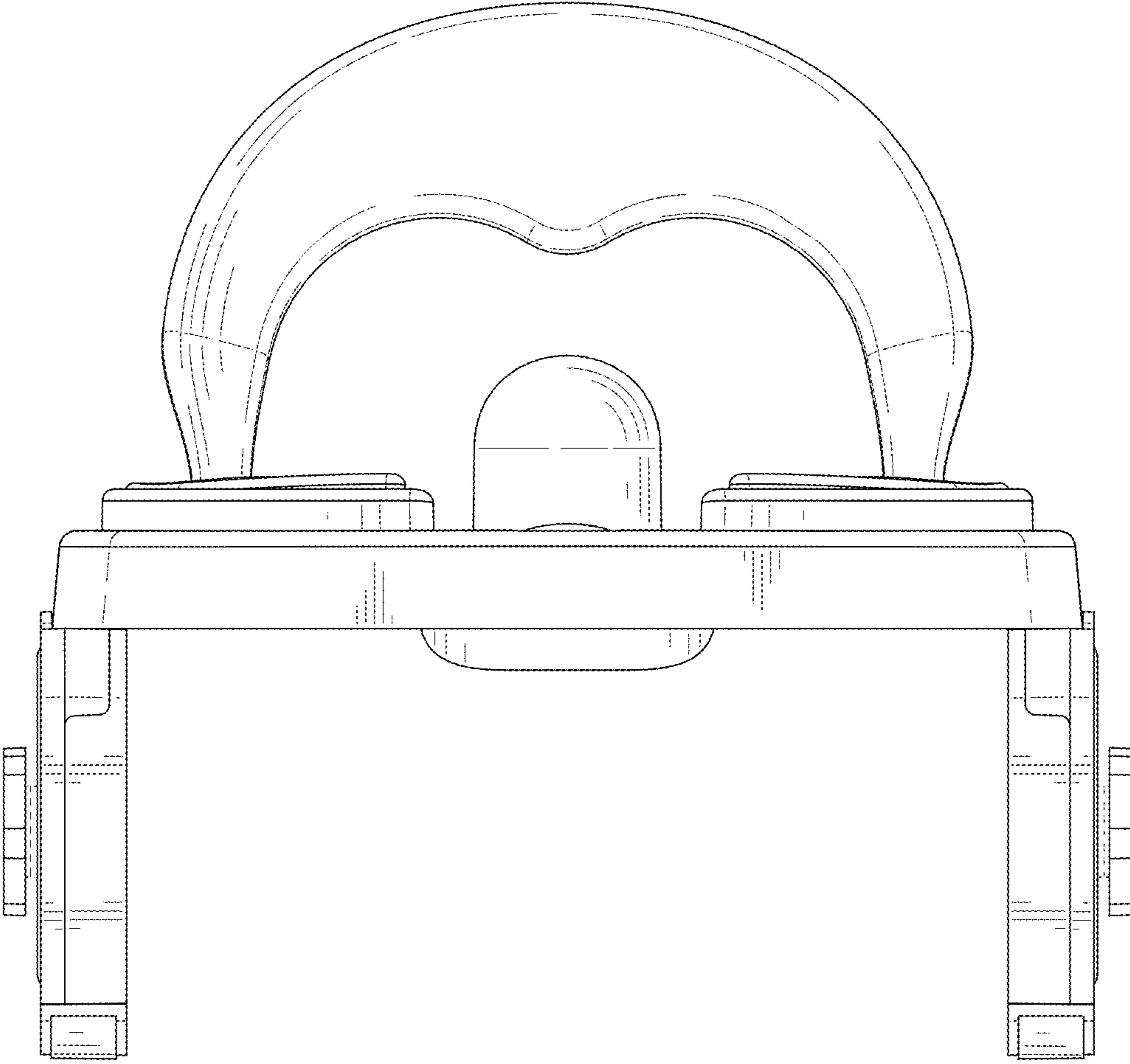


FIG. 4

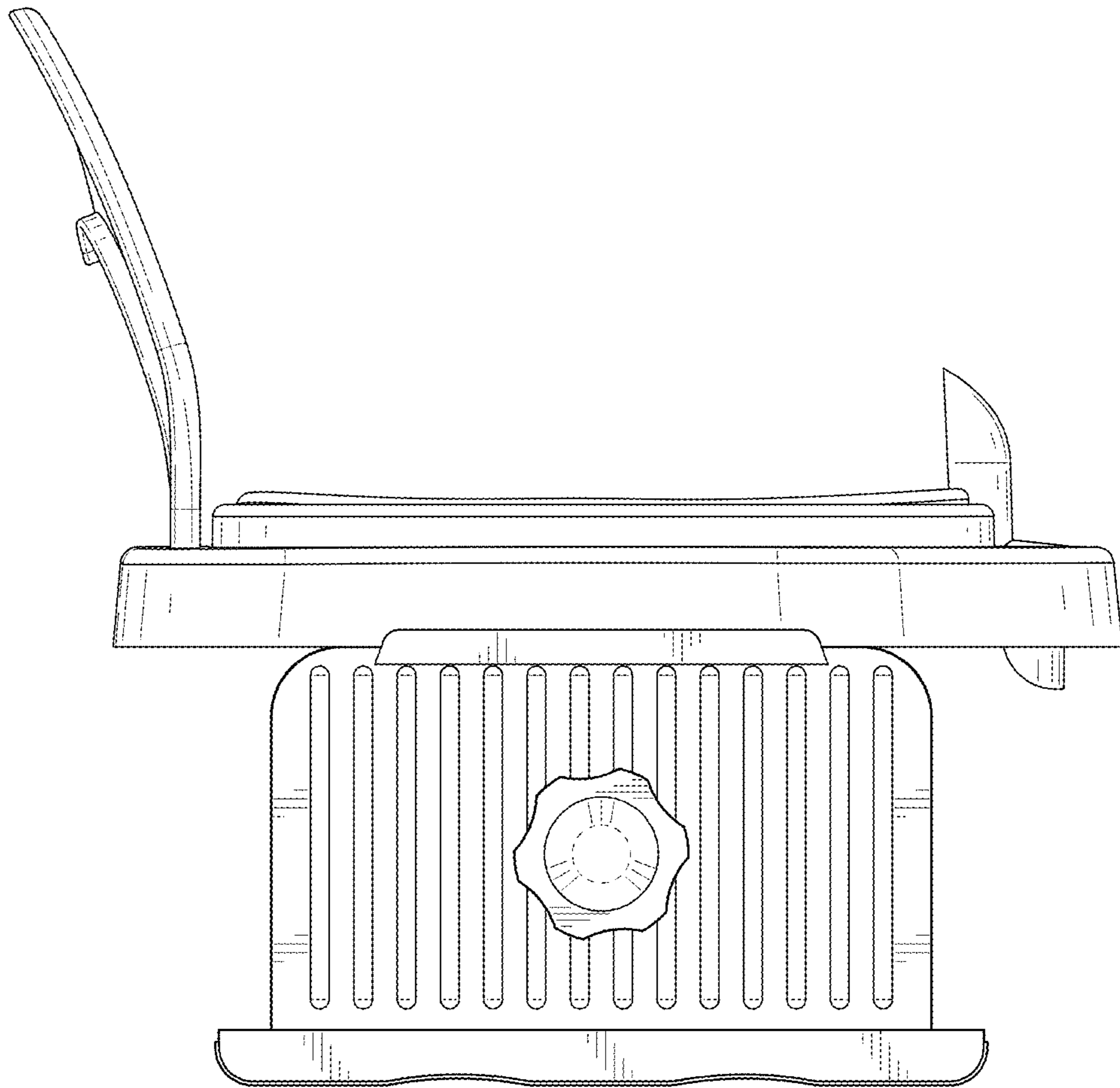


FIG. 5

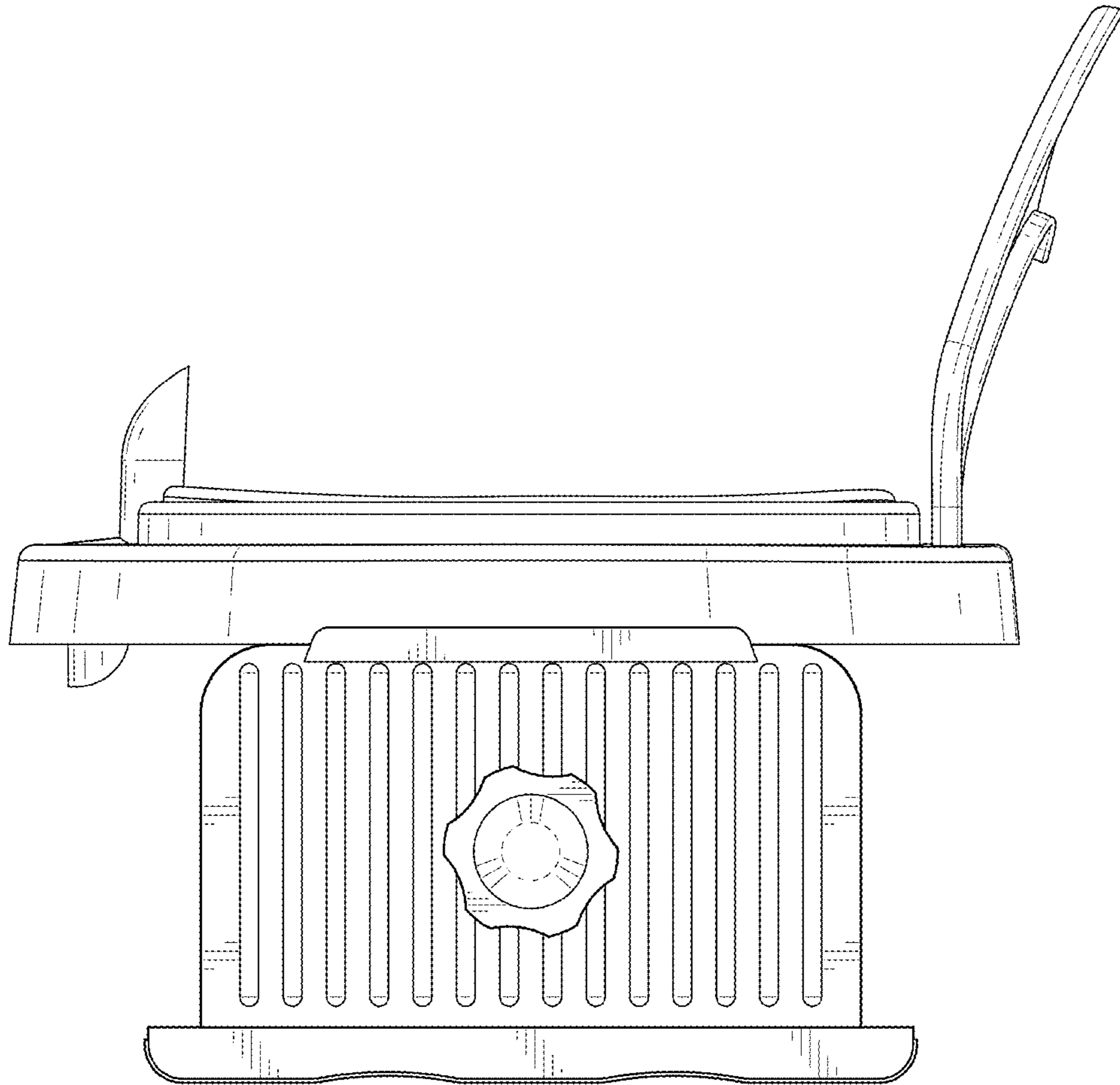


FIG. 6

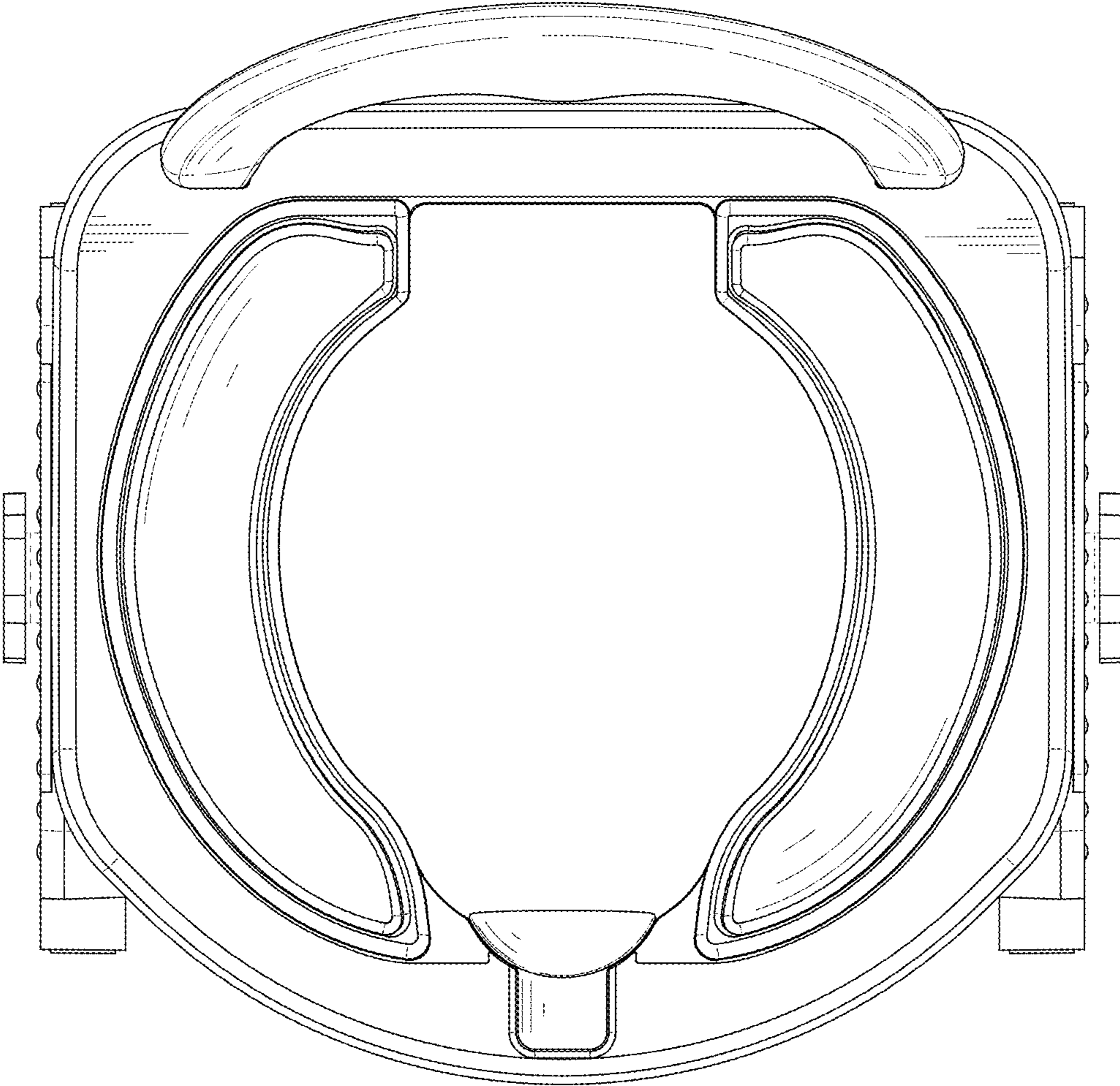


FIG. 7

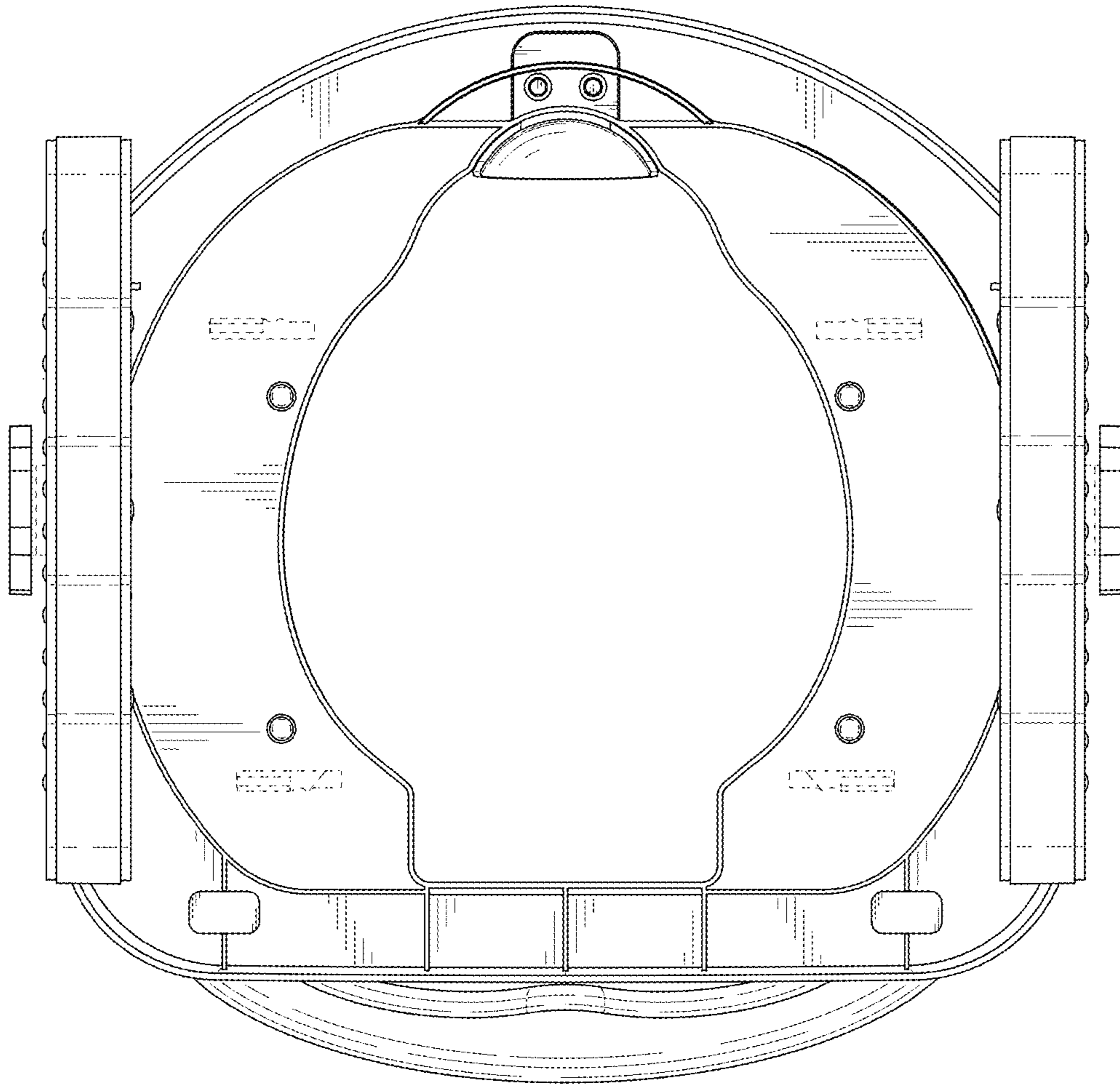


FIG. 8

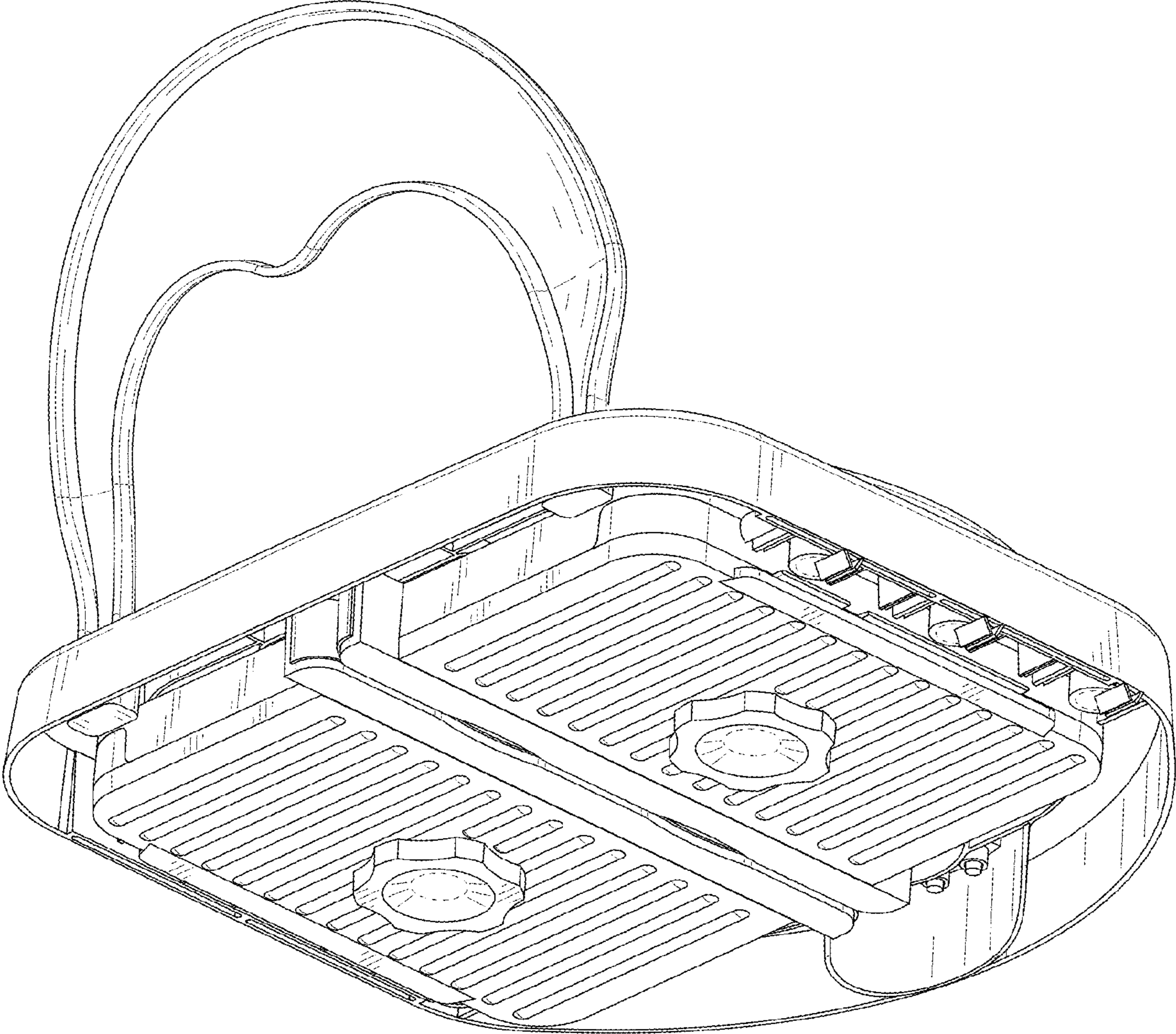


FIG. 9