



US0D1016223S

(12) **United States Design Patent** (10) **Patent No.:** **US D1,016,223 S**
Birchfield et al. (45) **Date of Patent:** **** Feb. 27, 2024**

- (54) **HUB**
- (71) Applicant: **FB Global Plumbing Group LLC**,
North Olmsted, OH (US)
- (72) Inventors: **Jessica D. Birchfield**, Cleveland, OH
(US); **Ryan Jacob Burbank**, Westlake,
OH (US)
- (73) Assignee: **Fortune Brands Water Innovations**
LLC, North Olmsted, OH (US)
- (**) Term: **15 Years**
- (21) Appl. No.: **29/821,915**
- (22) Filed: **Jan. 4, 2022**
- (51) **LOC (14) Cl.** **23-01**
- (52) **U.S. Cl.**
USPC **D23/255**
- (58) **Field of Classification Search**
USPC D23/238-242, 249, 255, 257
CPC E03C 1/04; E03C 1/0404; E03C 1/0402;
Y10T 137/9464; F16K 31/60; F16K
31/605; F16K 31/602; F16K 31/06
See application file for complete search history.

(56) **References Cited**

U.S. PATENT DOCUMENTS

D481,445 S	10/2003	Haug et al.	
D520,114 S	5/2006	Starck	
D525,344 S	7/2006	Schaffield et al.	
D527,076 S	8/2006	Kolin et al.	
D576,707 S *	9/2008	Schonherr D23/238
D605,260 S	12/2009	Allard	
D735,298 S	7/2015	Eads	
9,551,136 B2 *	1/2017	Keiter E03C 1/048
D786,404 S	5/2017	Kaule et al.	

(Continued)

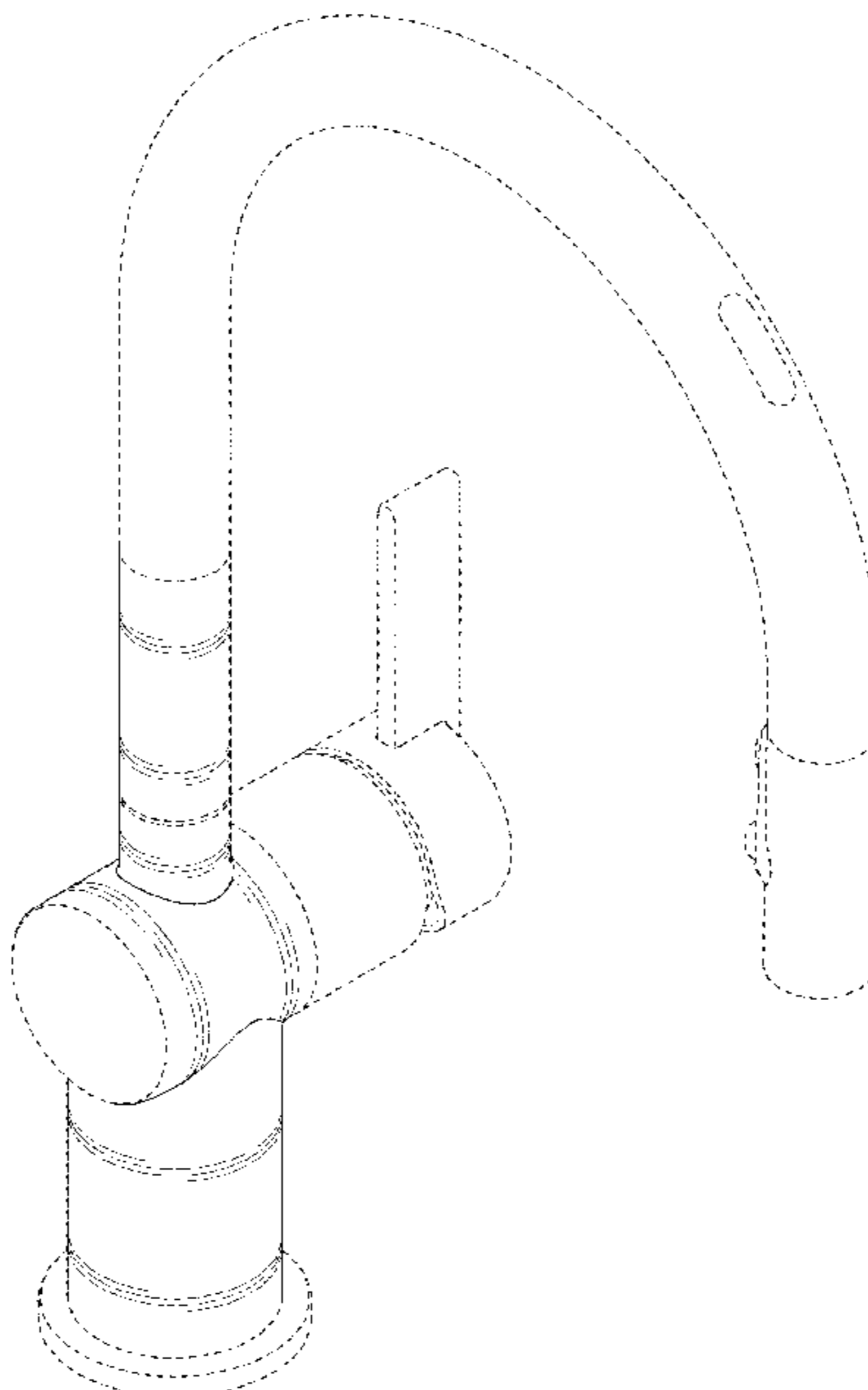
Primary Examiner — Robert A Delehanty
(74) *Attorney, Agent, or Firm* — Calfee, Halter &
Griswold LLP

(57) **CLAIM**
The ornamental design for a hub, as shown and described.

DESCRIPTION

FIG. 1 is a perspective view of a first embodiment of a hub of the new design;
 FIG. 2 is a front elevational view of the hub of FIG. 1;
 FIG. 3 is a rear elevational view of the hub of FIG. 1;
 FIG. 4 is a left side elevational view of the hub of FIG. 1;
 FIG. 5 is a right side elevational view of the hub of FIG. 1;
 FIG. 6 is a top plan view of the hub of FIG. 1;
 FIG. 7 is a bottom plan view of the hub of FIG. 1;
 FIG. 8 is a perspective view of a second embodiment of a hub of the new design;
 FIG. 9 is a front elevational view of the hub of FIG. 8;
 FIG. 10 is a rear elevational view of the hub of FIG. 8;
 FIG. 11 is a left side elevational view of the hub of FIG. 8;
 FIG. 12 is a right side elevational view of the hub of FIG. 8;
 FIG. 13 is a top plan view of the hub of FIG. 8;
 FIG. 14 is a bottom plan view of the hub of FIG. 8;
 FIG. 15 is a perspective view of a third embodiment of a hub of the new design;
 FIG. 16 is a front elevational view of the hub of FIG. 15;
 FIG. 17 is a rear elevational view of the hub of FIG. 15;
 FIG. 18 is a left side elevational view of the hub of FIG. 15;
 FIG. 19 is a right side elevational view of the hub of FIG. 15;
 FIG. 20 is a top plan view of the hub of FIG. 15; and,
 FIG. 21 is a bottom plan view of the hub of FIG. 15.
 The broken lines are included for the purpose of illustrating portions of the article and form no part of the claimed design.

1 Claim, 15 Drawing Sheets



(56)

References Cited

U.S. PATENT DOCUMENTS

D786,409	S	5/2017	Rexach	
D802,722	S *	11/2017	Flowers	D23/252
D811,527	S *	2/2018	Fritz	D23/238
D840,511	S	2/2019	Garland et al.	
D855,157	S *	7/2019	Stuart	D23/238
D843,506	S	10/2019	Hayner et al.	
D879,253	S *	3/2020	Lazarini	D23/252
D913,431	S *	3/2021	Seum	D23/238
D914,143	S *	3/2021	Levi	D23/238
D924,372	S *	7/2021	Flaig	D23/249
2021/0236991	A1 *	8/2021	Schneidewend	E03C 1/102

* cited by examiner

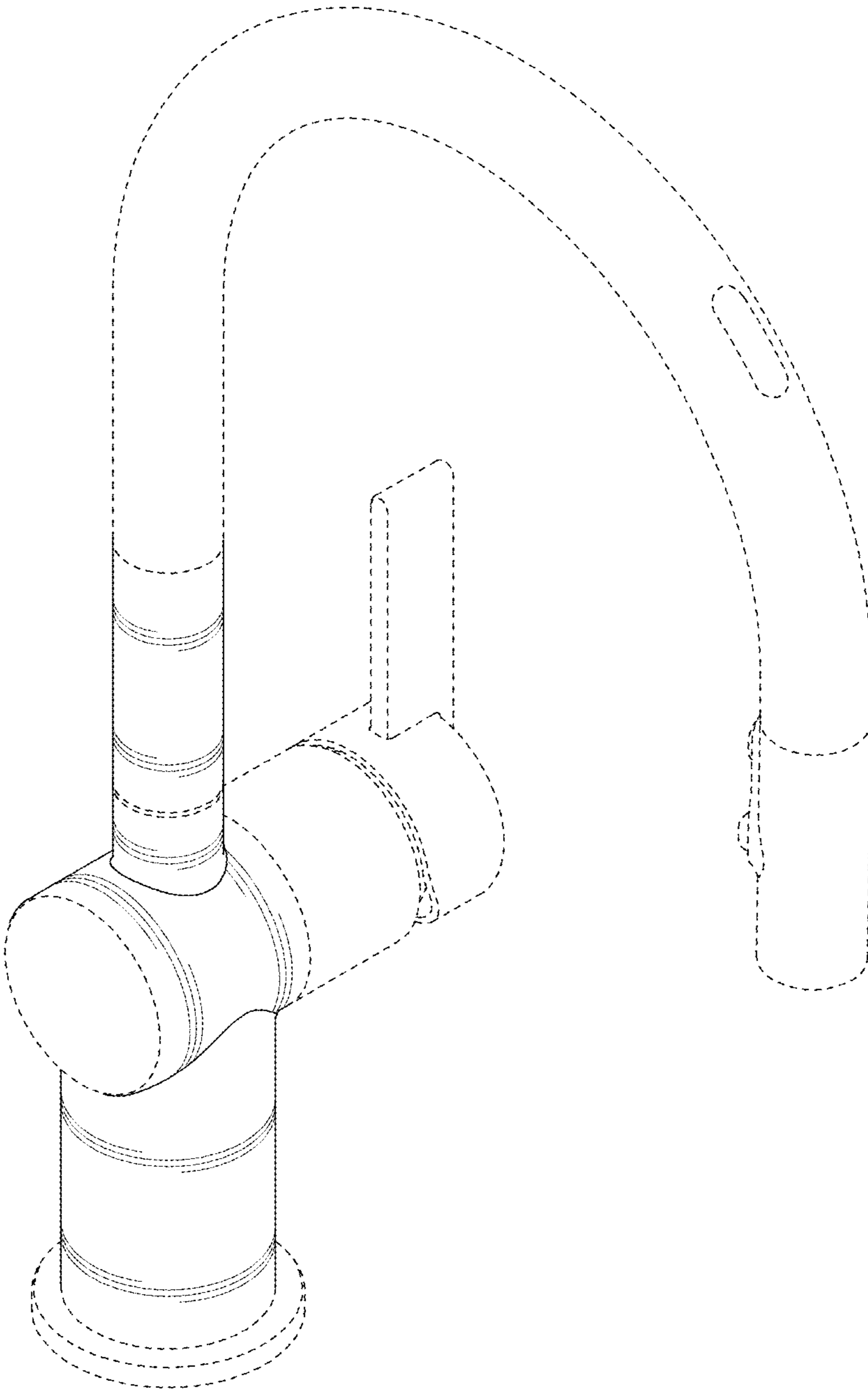


FIG. 1

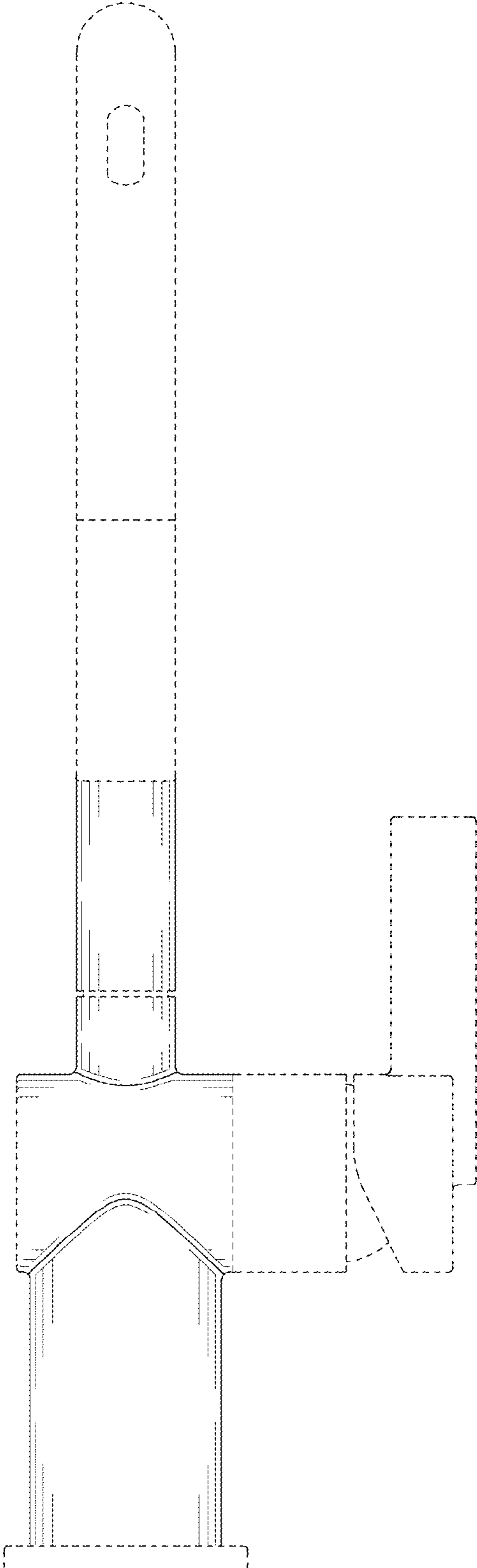


FIG. 2

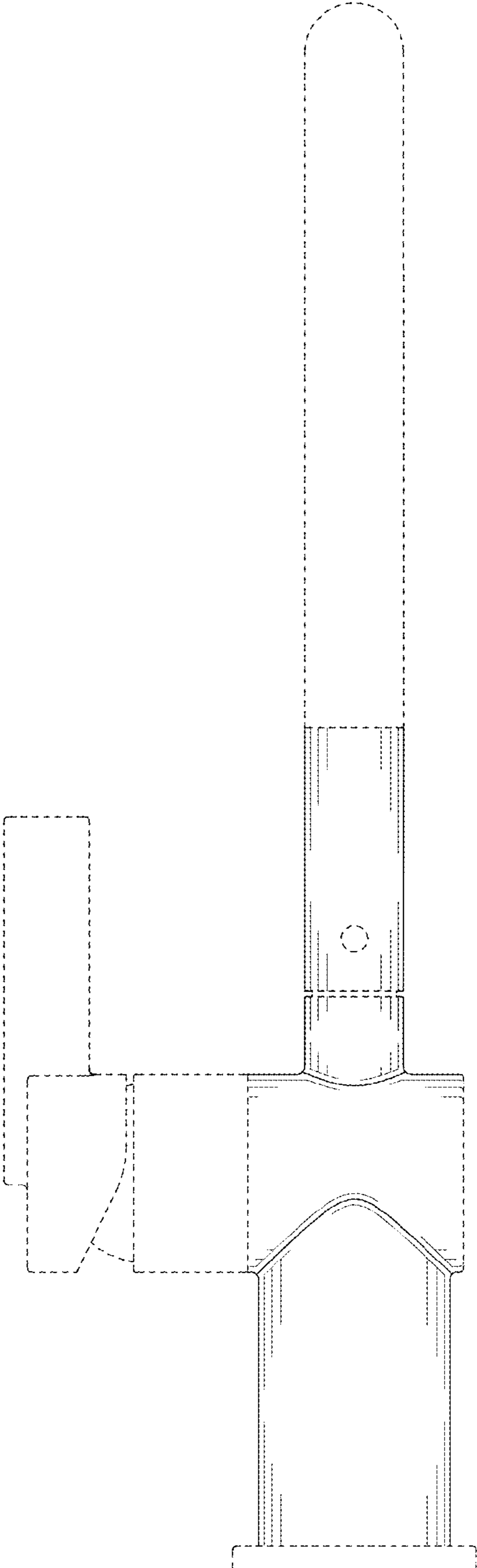


FIG. 3

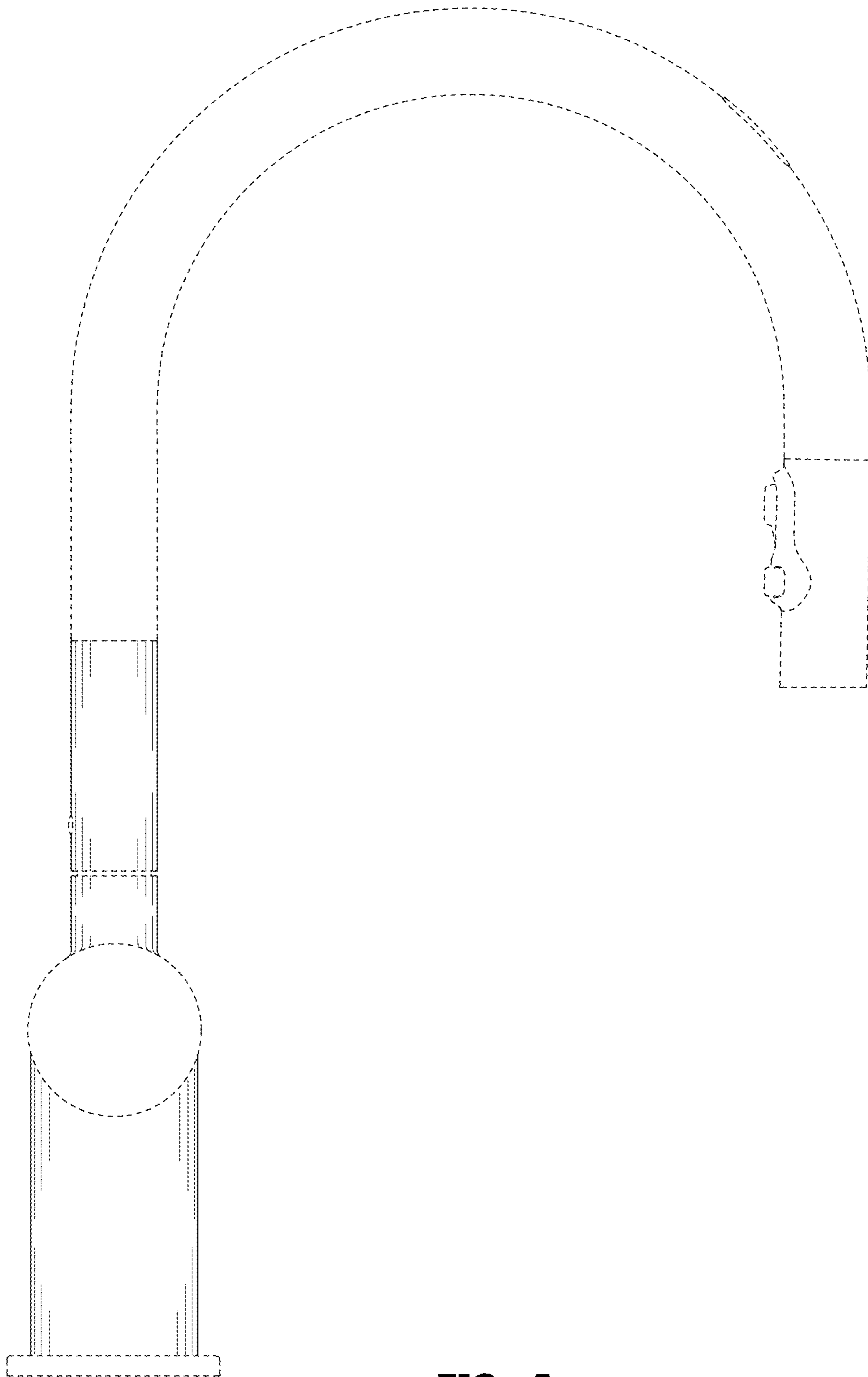


FIG. 4

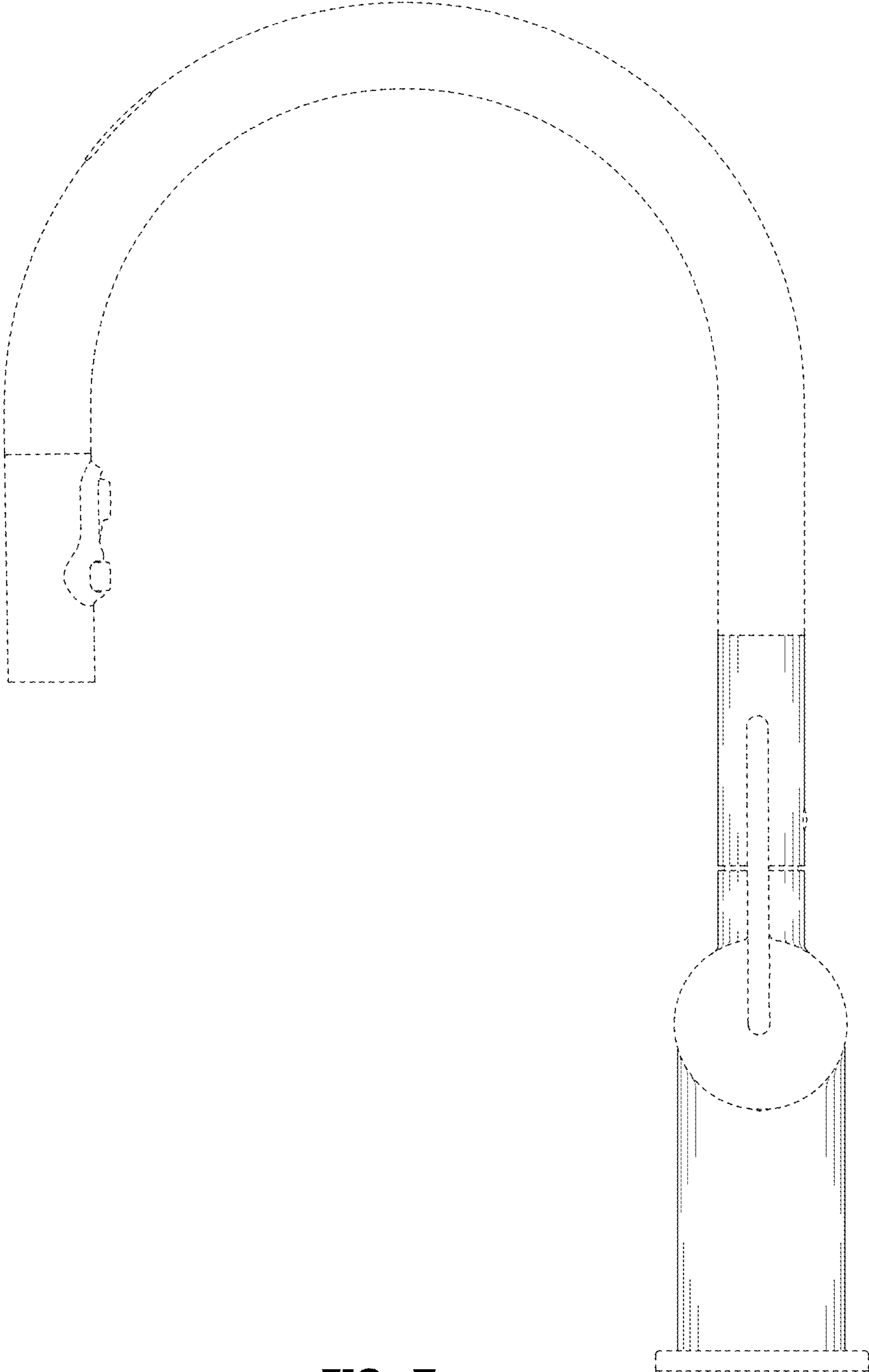


FIG. 5

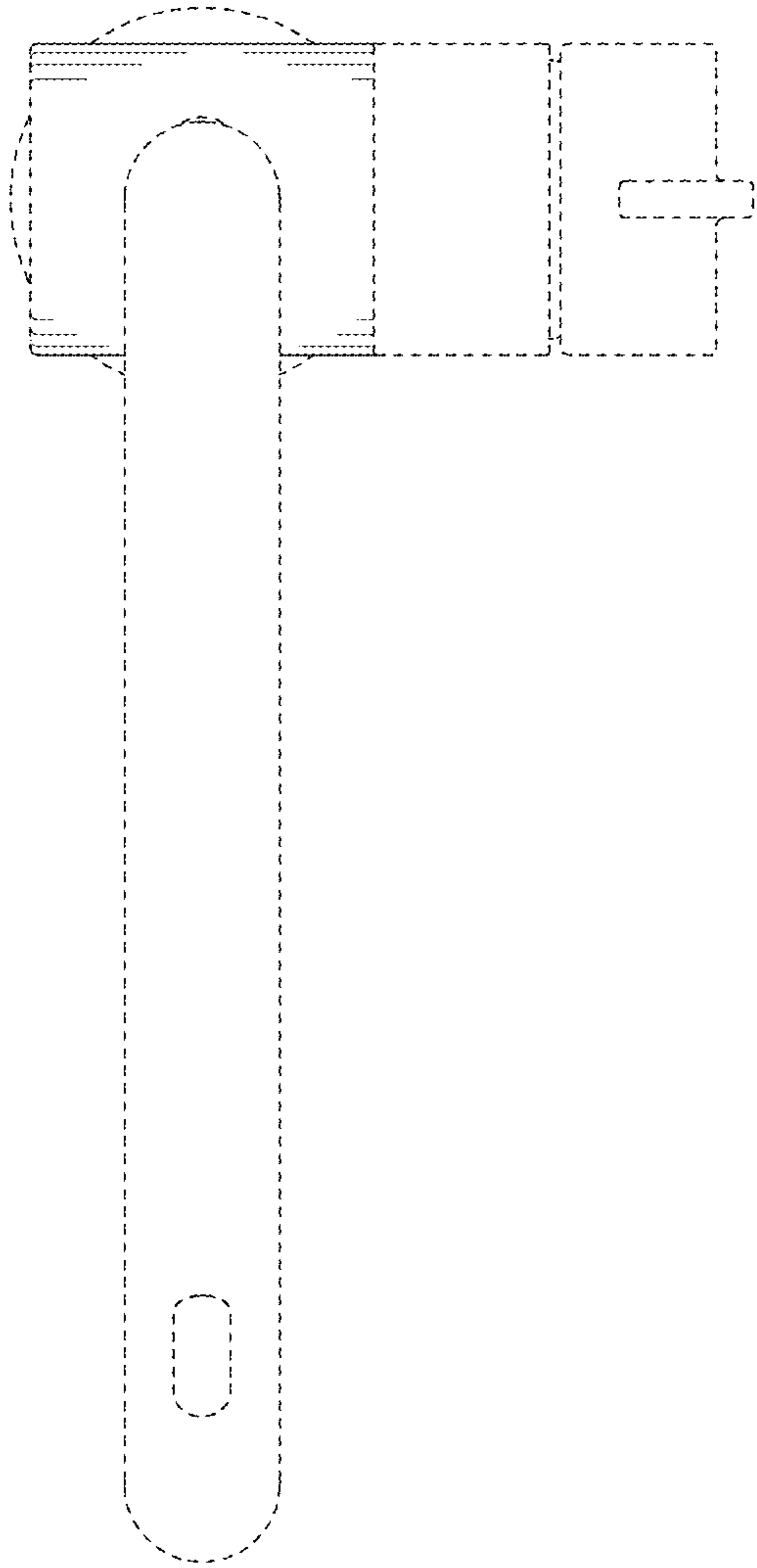


FIG. 6

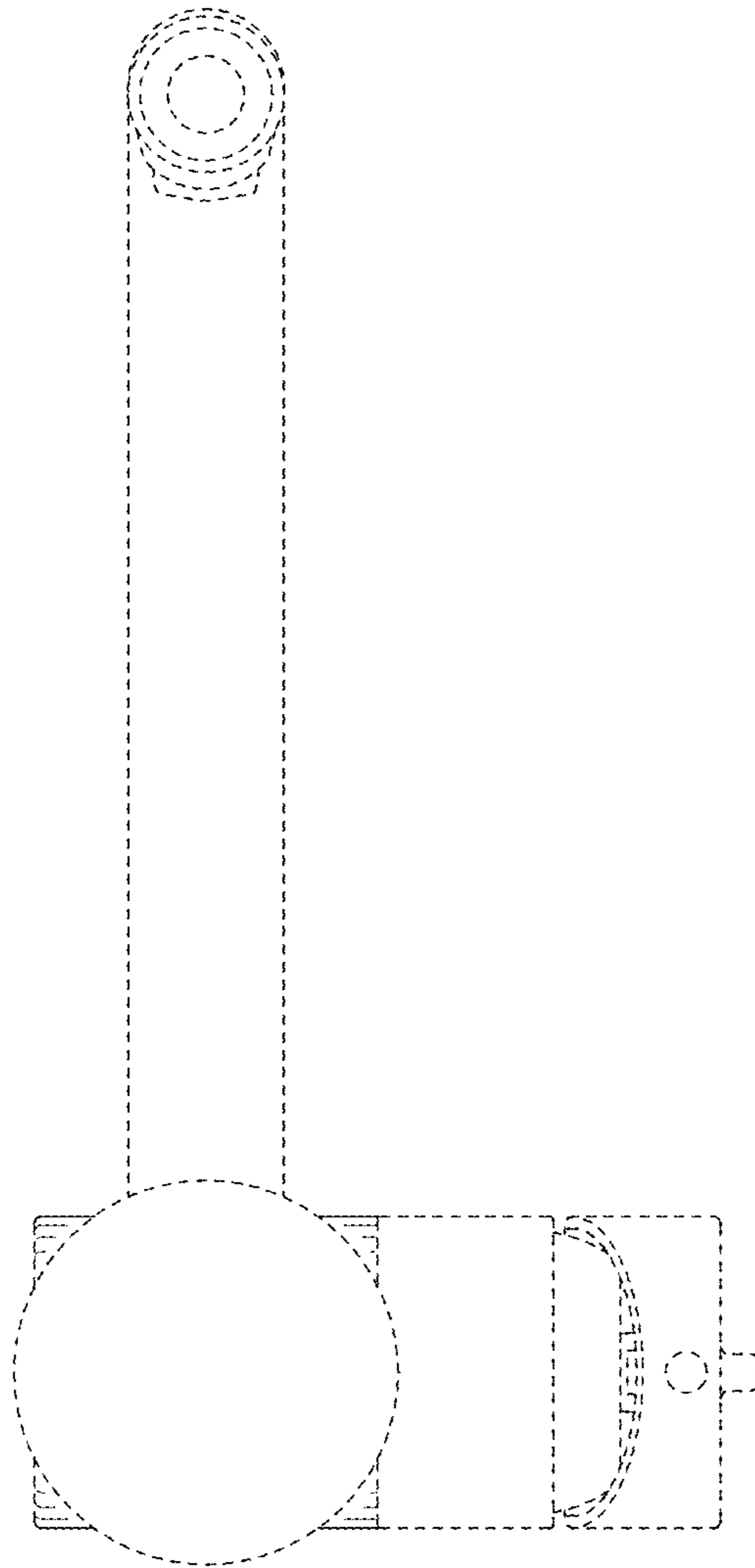


FIG. 7

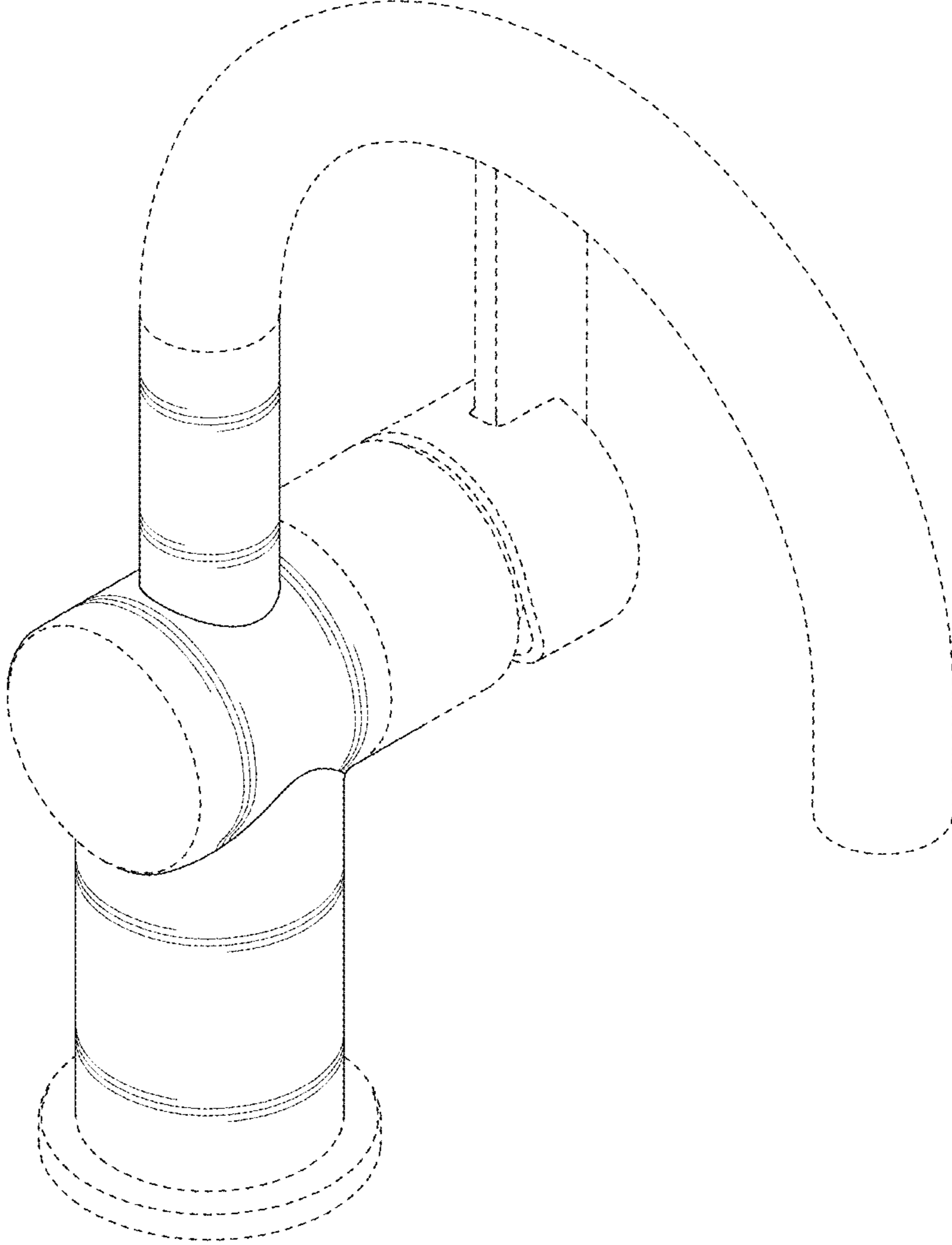


FIG. 8

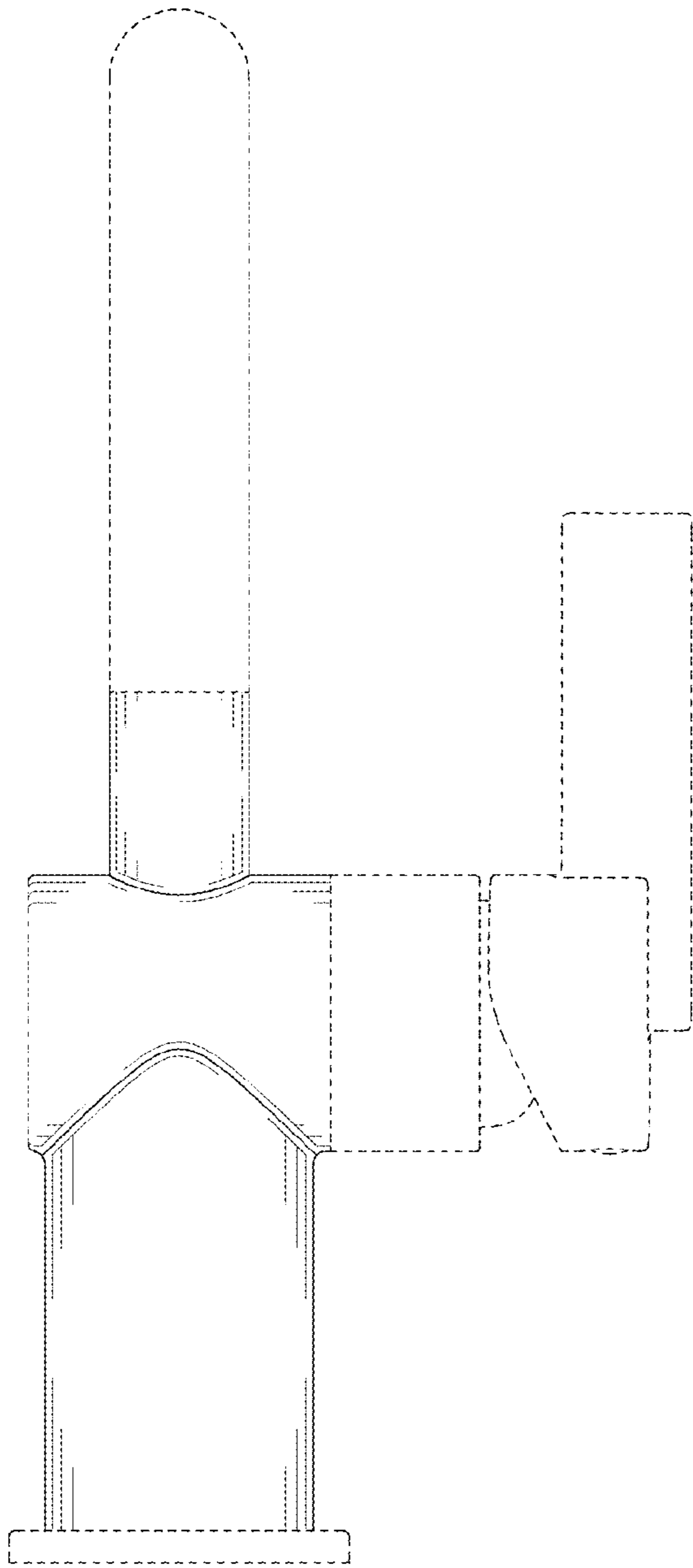


FIG. 9

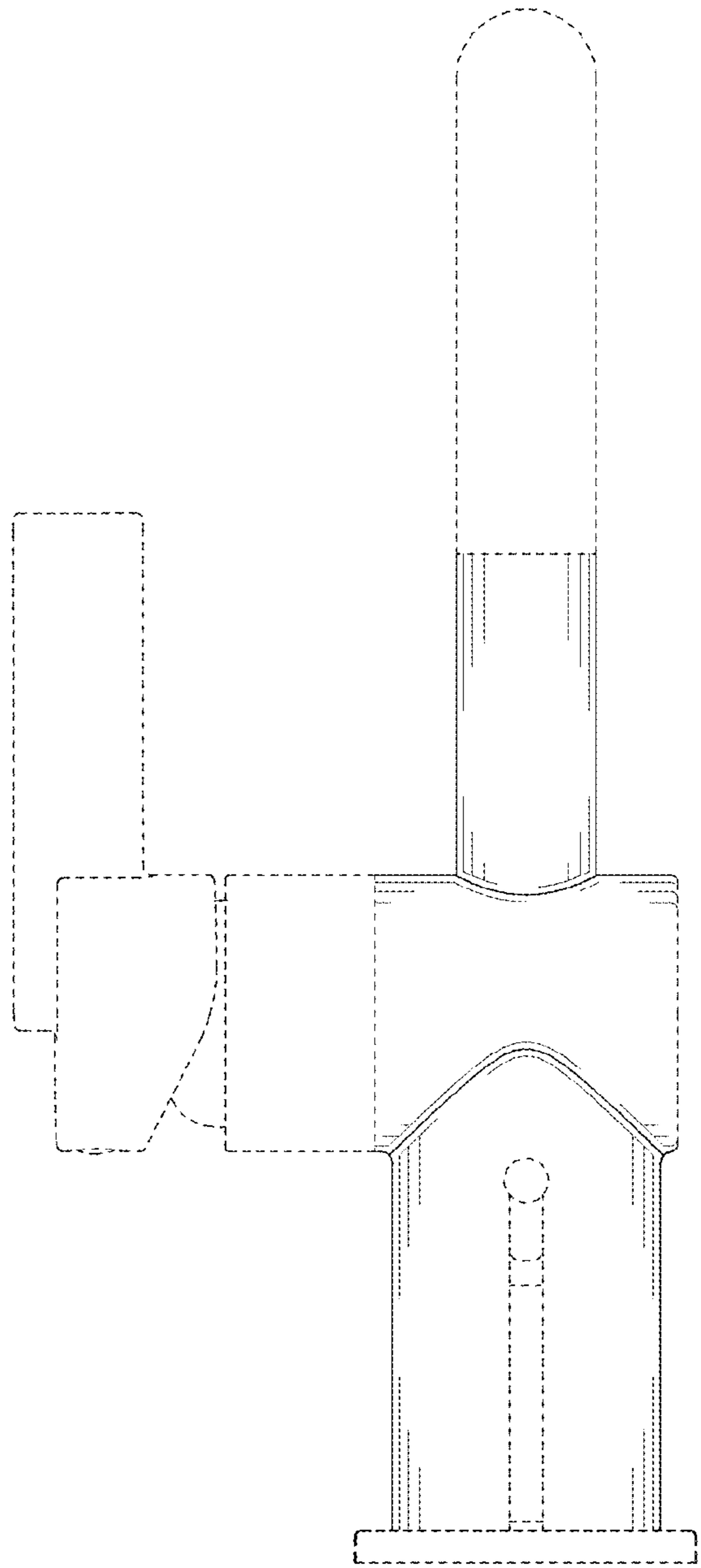


FIG. 10

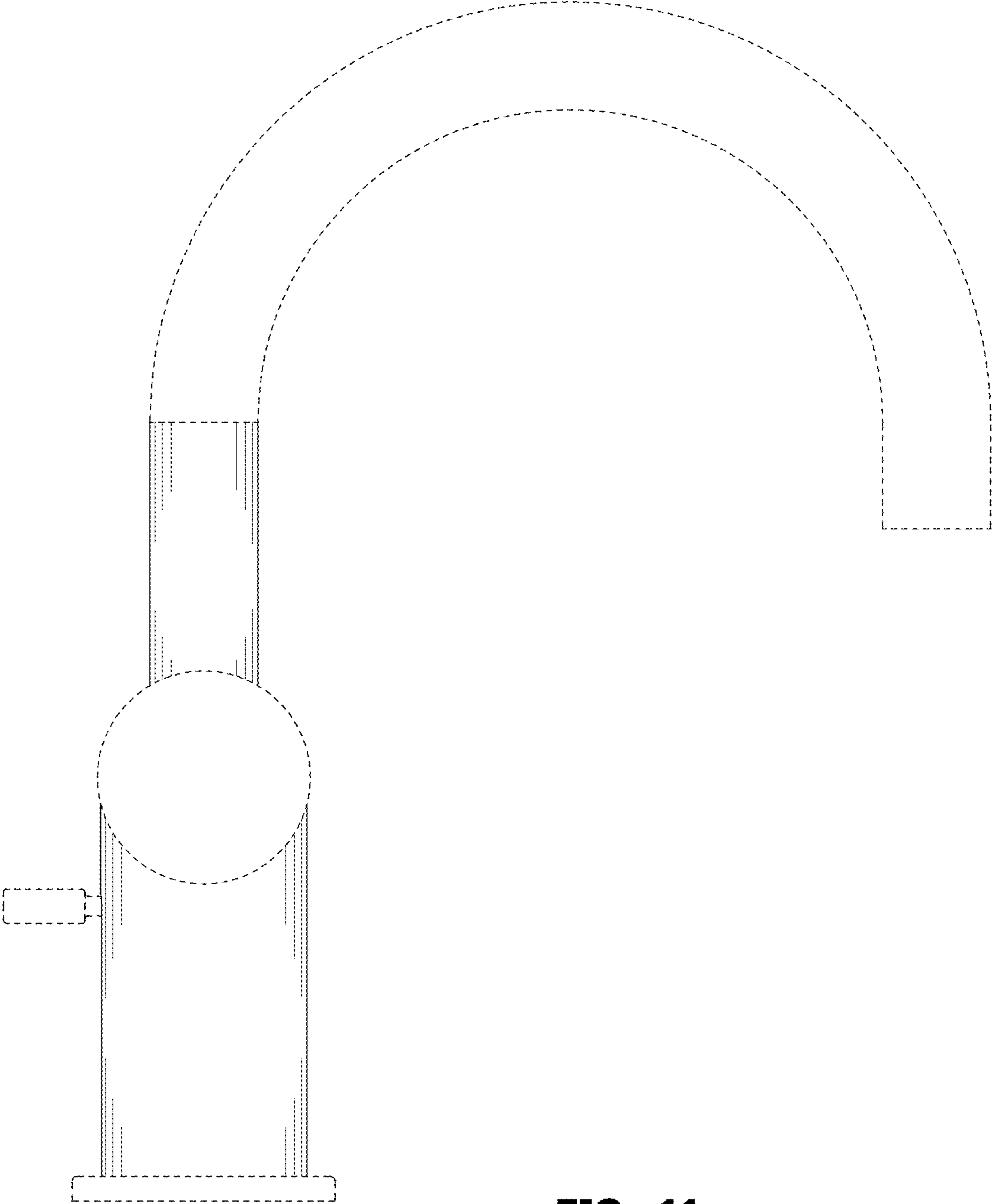


FIG. 11

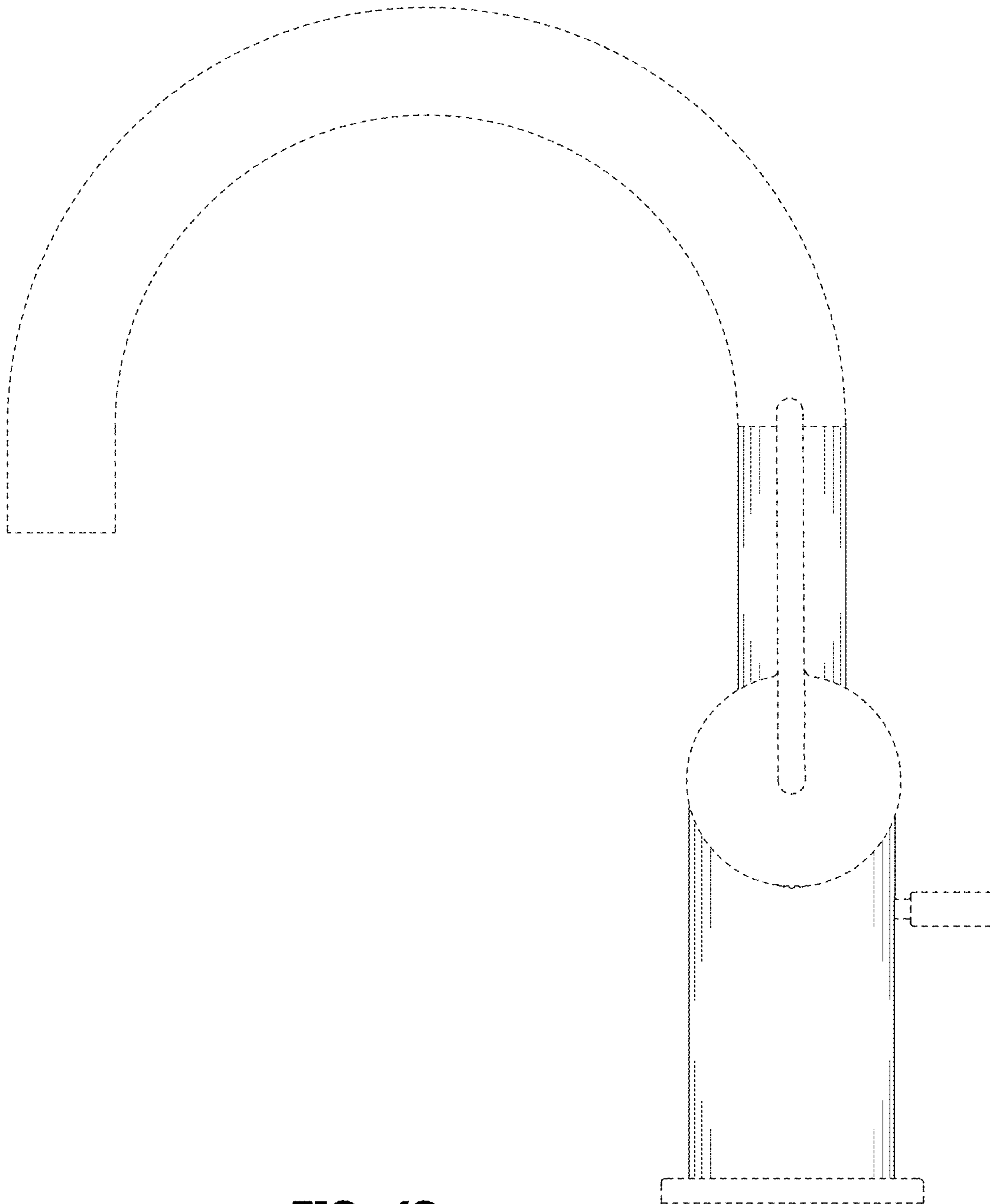


FIG. 12

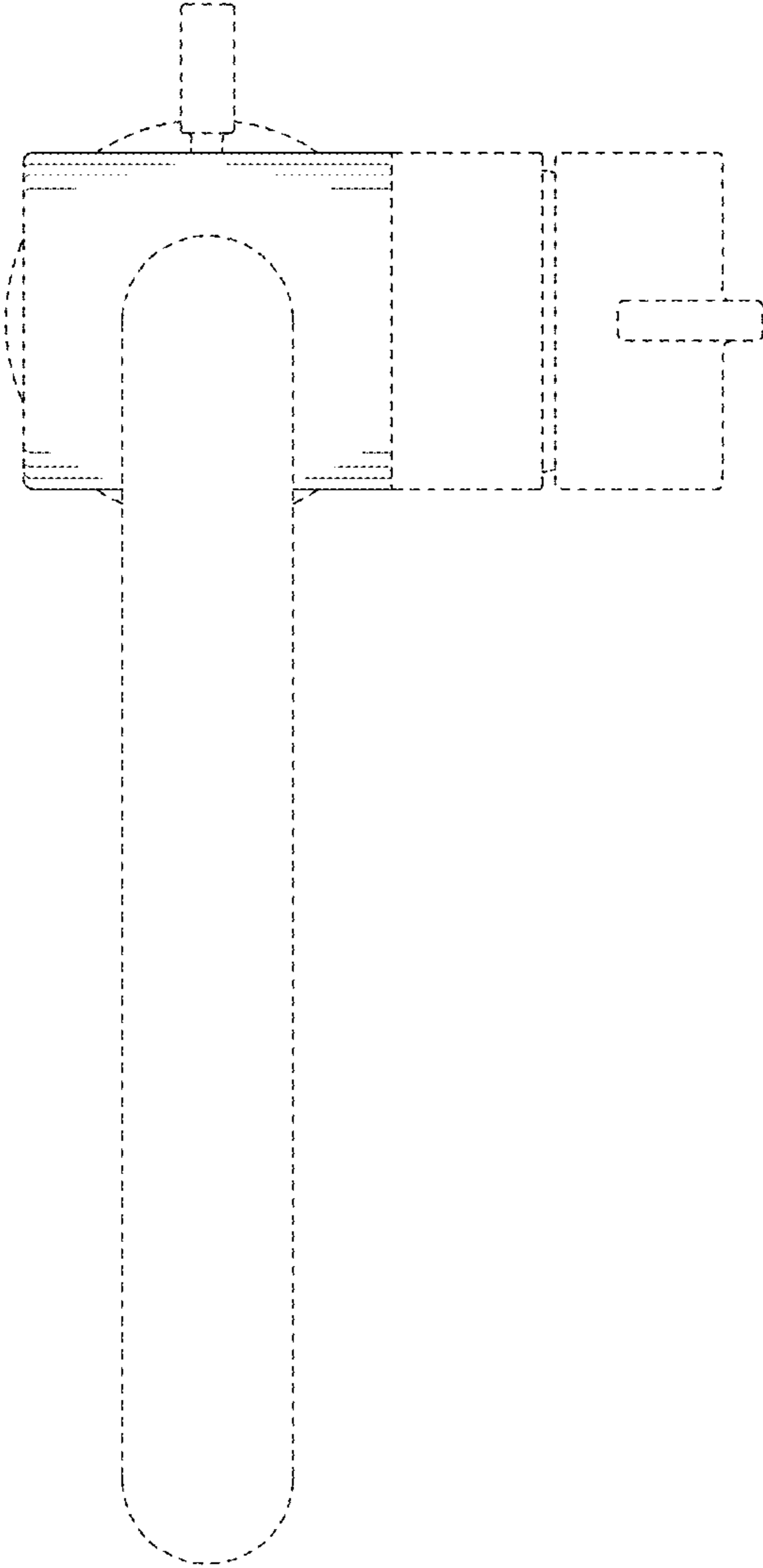


FIG. 13

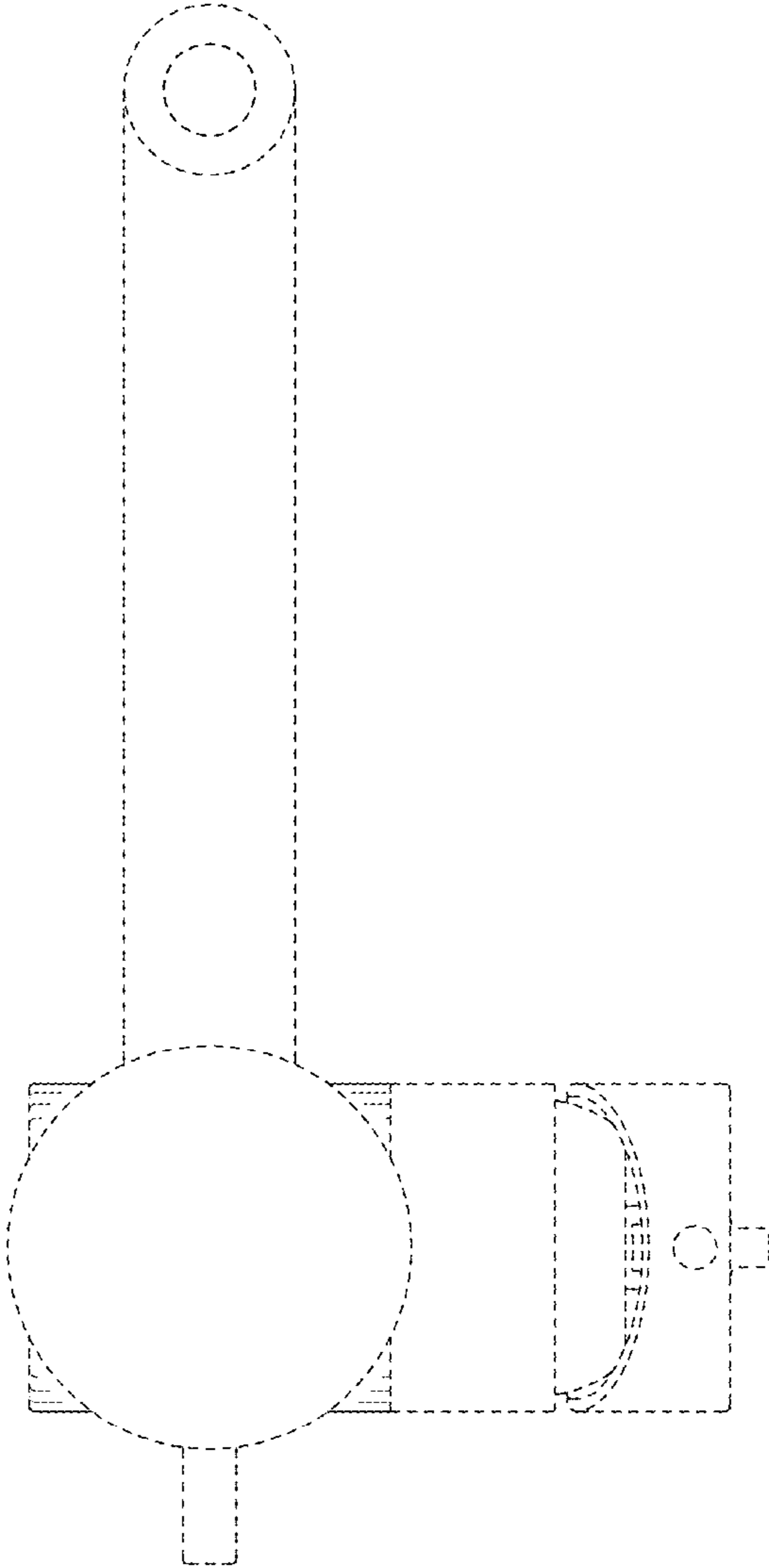


FIG. 14

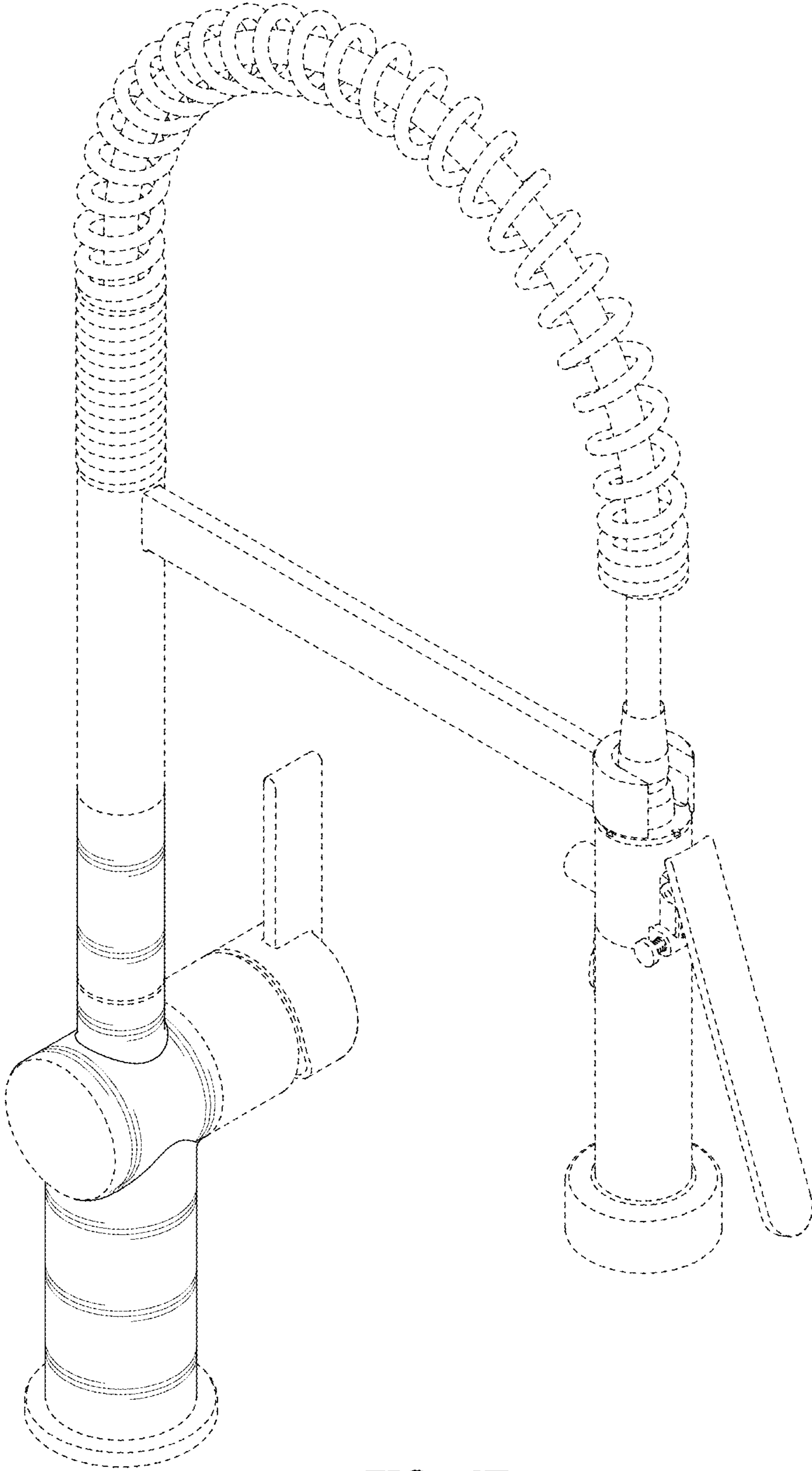


FIG. 15

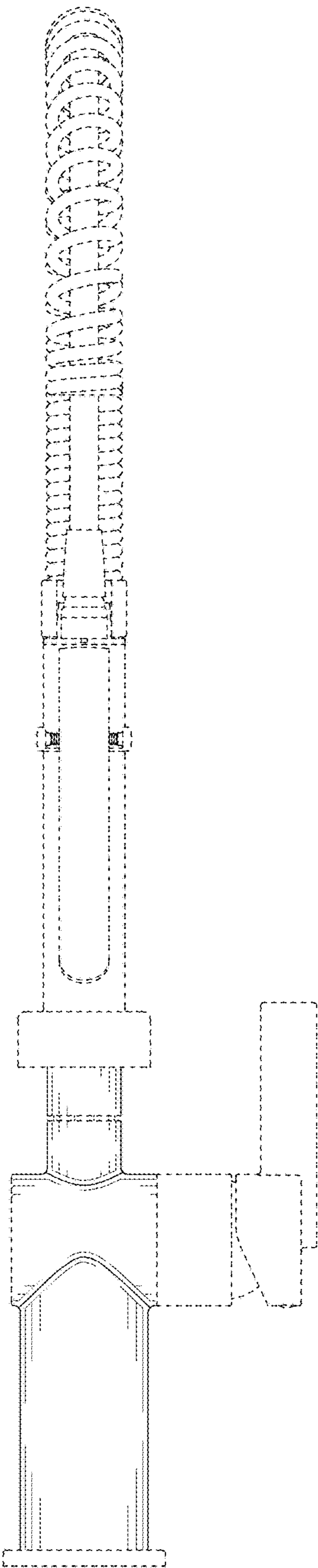


FIG. 16

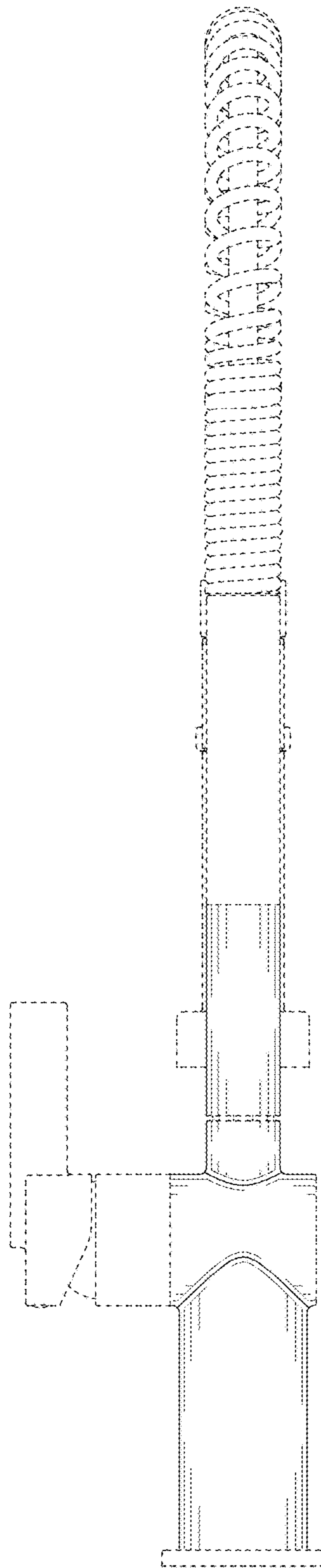


FIG. 17

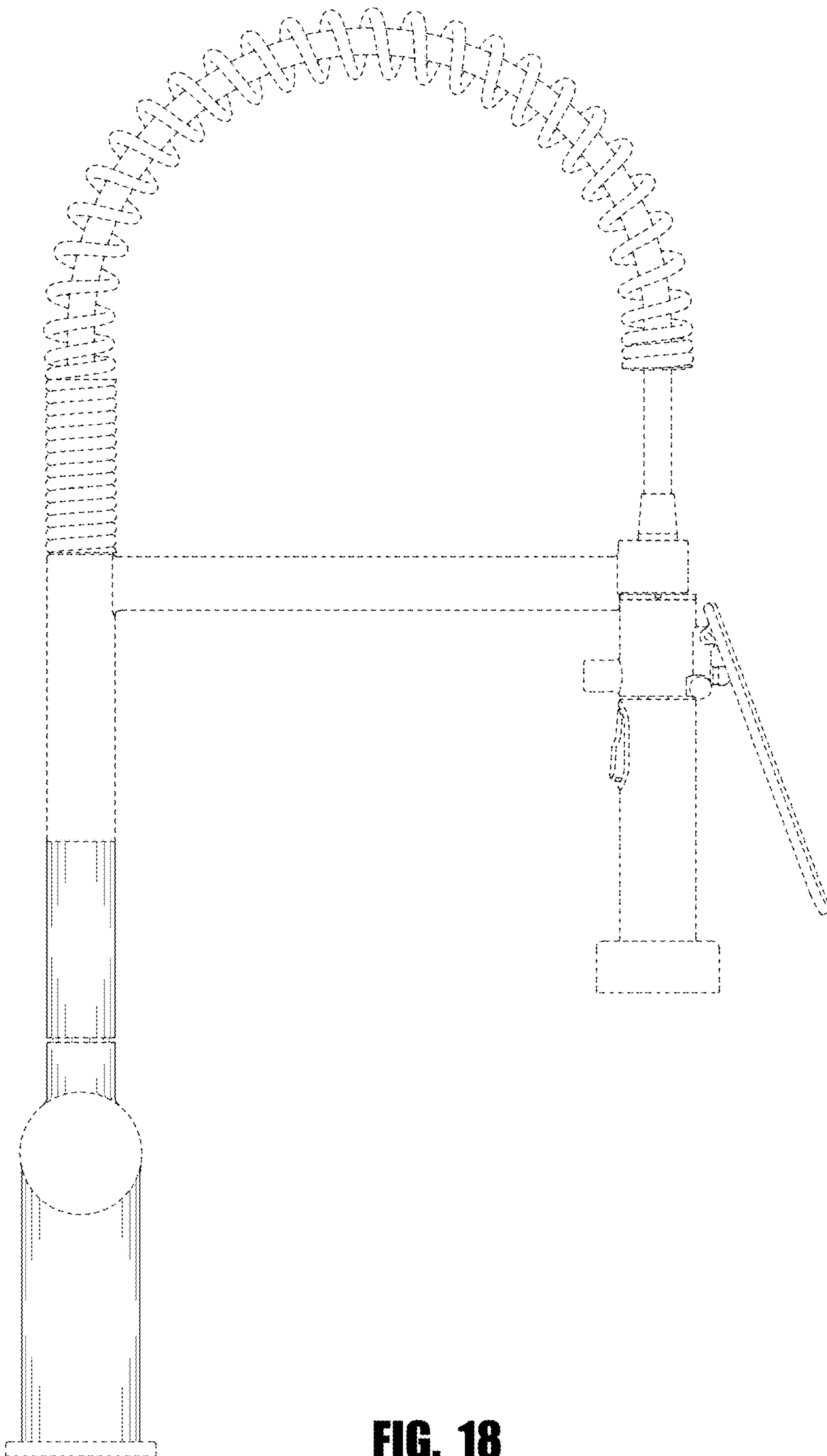


FIG. 18

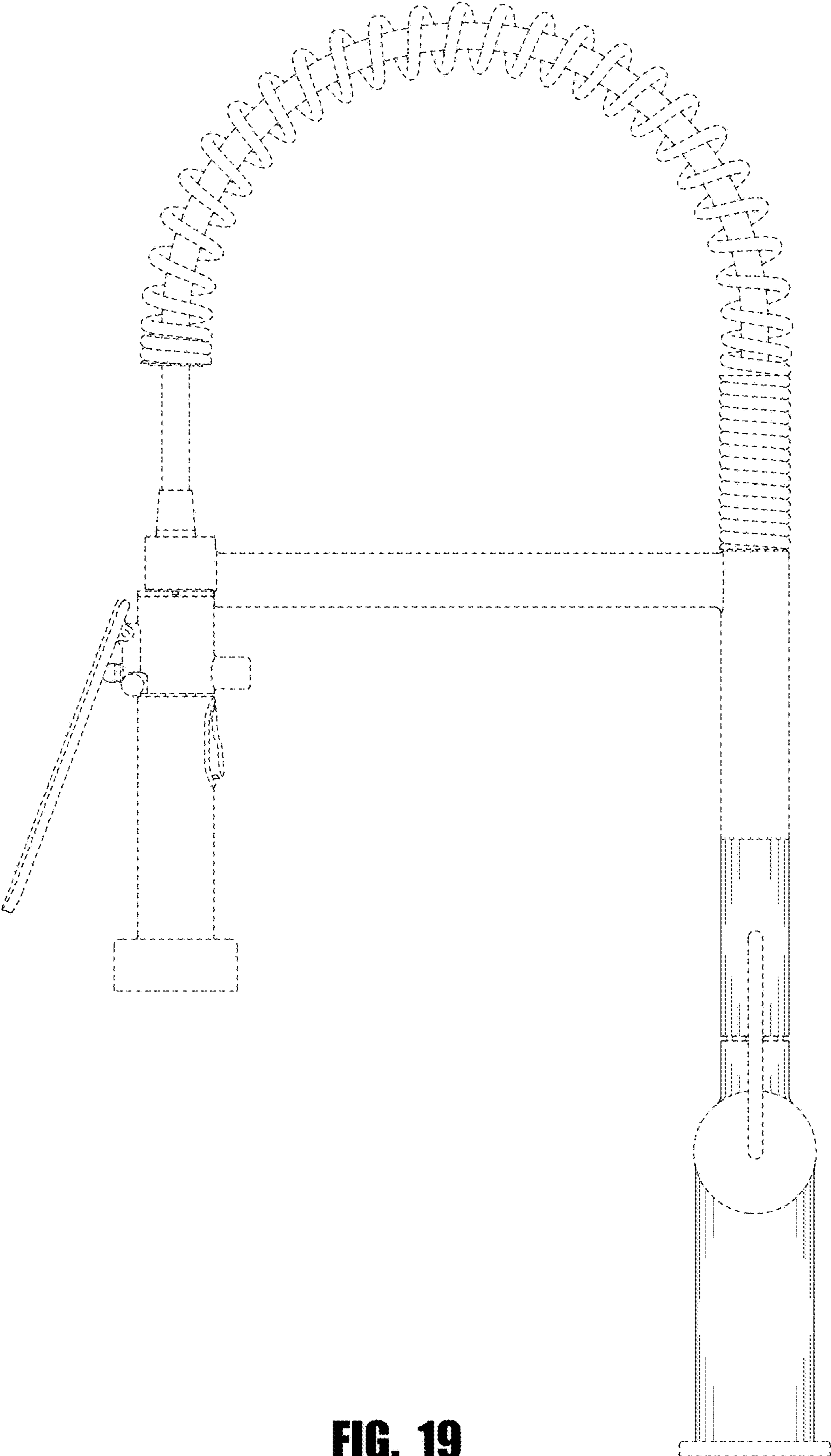


FIG. 19

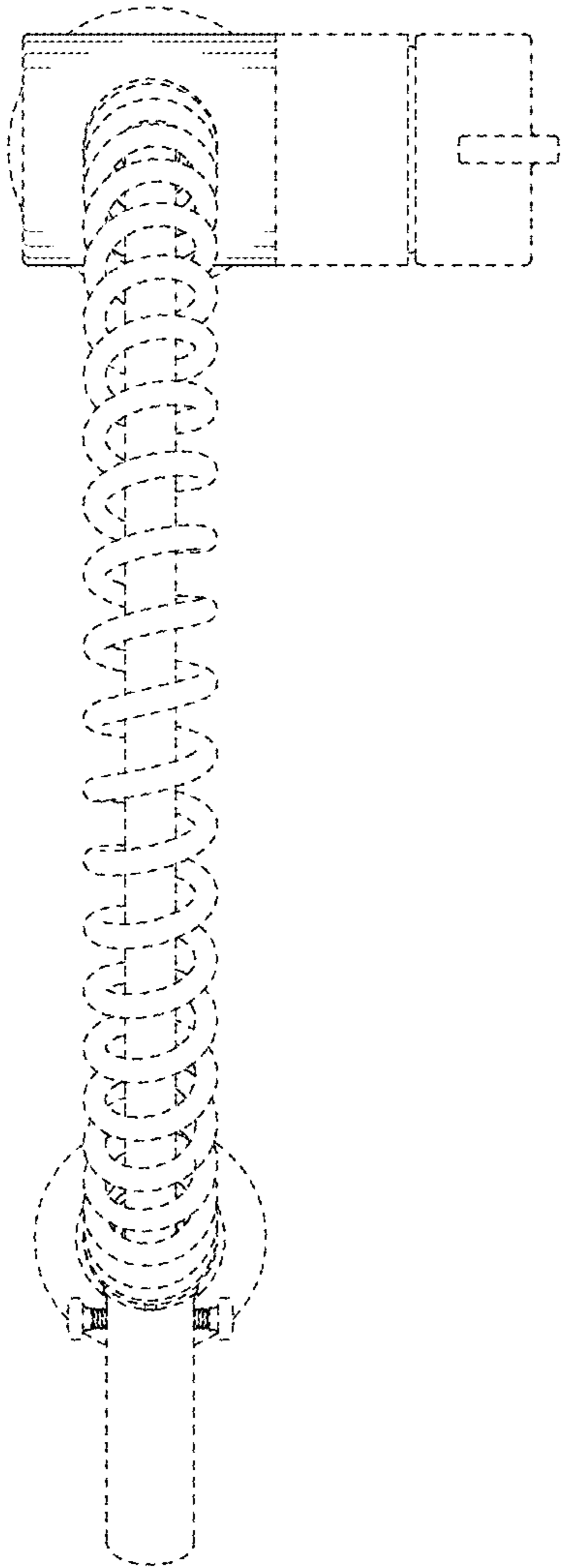


FIG. 20

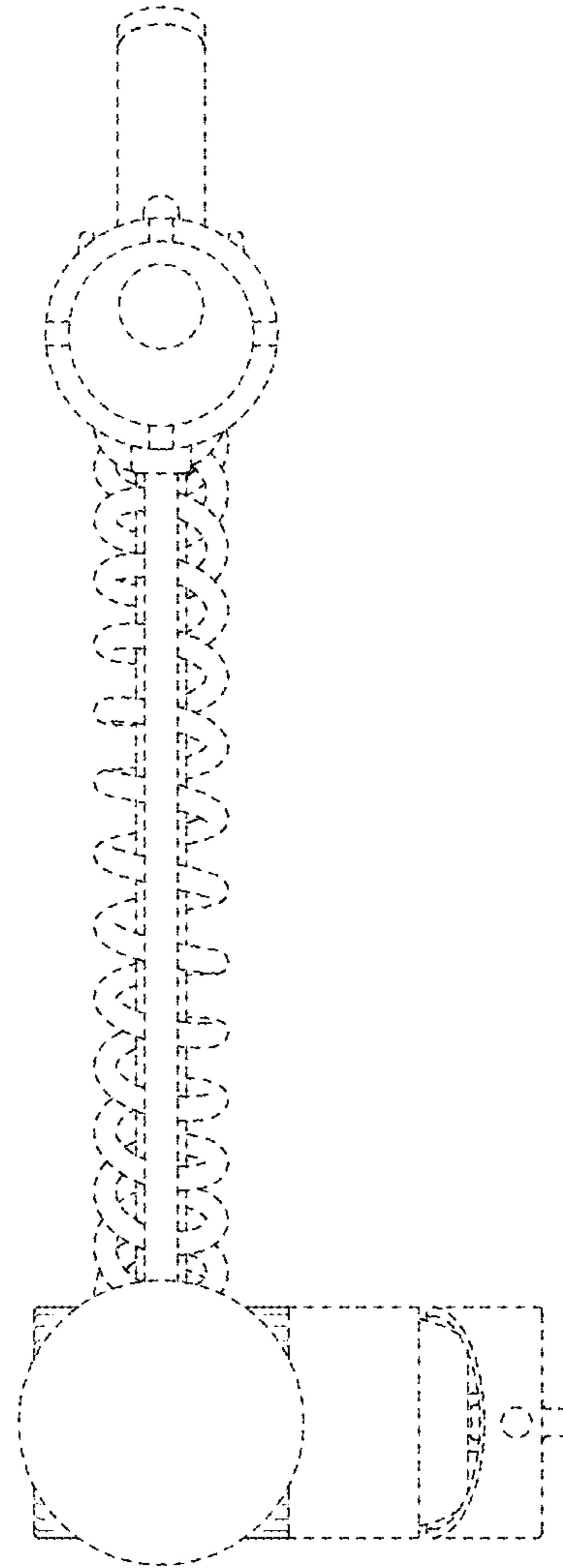


FIG. 21