



US0D1016213S

(12) **United States Design Patent** (10) **Patent No.:** **US D1,016,213 S**
Nitta (45) **Date of Patent:** **** Feb. 27, 2024**

(54) **LIVE BAIT ZIP TIE** 6,430,783 B1 * 8/2002 Benoit B65D 63/1063
24/16 PB
(71) Applicant: **Gye Shoon-Min Ulu Nitta**, Honolulu, HI (US) 7,934,297 B2 * 5/2011 Williams B65D 63/1072
292/307 A
(72) Inventor: **Gye Shoon-Min Ulu Nitta**, Honolulu, HI (US) 8,726,468 B2 5/2014 Dyer
(Continued)

(**) Term: **15 Years**
(21) Appl. No.: **29/784,230**
(22) Filed: **May 18, 2021**

Related U.S. Application Data

(63) Continuation-in-part of application No. 16/363,953, filed on Mar. 25, 2019, now Pat. No. 11,116,192.
(51) **LOC (14) Cl.** **22-06**
(52) **U.S. Cl.**
USPC **D22/149**; D22/199
(58) **Field of Classification Search**
USPC D22/149
CPC A01K 3/00; A01K 65/00; A01K 67/00
See application file for complete search history.

References Cited

U.S. PATENT DOCUMENTS

3,318,354 A 5/1967 Bernard
3,581,349 A * 6/1971 Verspielen F16L 3/2334
248/74.3
D236,615 S * 9/1975 Rodgers D22/149
4,754,529 A * 7/1988 Paradis B29C 55/00
24/30.5 P
D299,479 S * 1/1989 Richardson D22/199
5,031,943 A * 7/1991 Scott B65D 63/1081
292/307 R
5,628,348 A * 5/1997 Scott B65B 13/027
140/123.5
5,836,053 A * 11/1998 Davignon F16L 3/233
24/17 AP

OTHER PUBLICATIONS

New Nitta, posted Jun. 24, 2019 [online], [retrieved Oct. 12, 2023]. Retrieved from internet, <https://www.instagram.com/p/BzHgWzZhBVV/?hl=en> (Date:2023) (Year: 2019).*
(Continued)

Primary Examiner — Christian P. McLean
Assistant Examiner — Kristopher Michael Blechschmidt

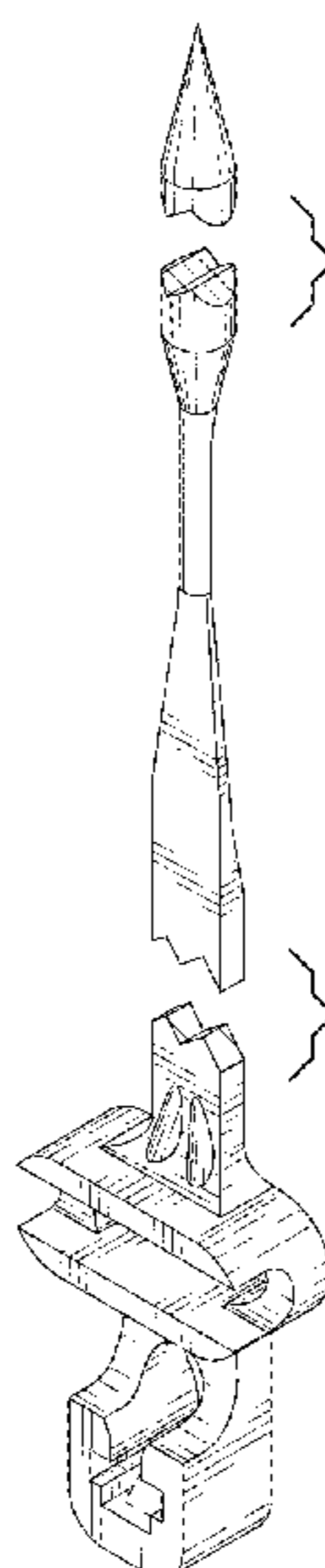
CLAIM

(57) The ornamental design for a live bait zip tie, as shown and described.

DESCRIPTION

FIG. 1 is a top-front-left perspective view of a live bait zip tie showing my new design;
FIG. 2 is a bottom-rear-right perspective view thereof;
FIG. 3 is a front view thereof;
FIG. 4 is a rear view thereof;
FIG. 5 is an enlarged top view thereof;
FIG. 6 is an enlarged bottom view thereof;
FIG. 7 is a right view thereof;
FIG. 8 is a left view thereof; and,
FIG. 9 is a cross-sectional view taken along line 9-9 in FIG. 4.
The live bait zip tie is shown with a symbolic break in its length. The appearance of any portion of the article between the break lines forms no part of the claimed design. The broken line showing a zip fastener in FIGS. 1-9 is included for the purpose of showing environmental structure and forms no part of the claimed design.

1 Claim, 9 Drawing Sheets



(56)

References Cited

U.S. PATENT DOCUMENTS

9,485,973 B2 * 11/2016 Burke A01K 83/06
D792,196 S * 7/2017 Nitta D8/356
D835,495 S * 12/2018 Votel D8/356
D844,417 S 4/2019 Nitta
10,513,380 B2 * 12/2019 Watson B65D 63/1027
11,116,192 B2 * 9/2021 Nitta A01K 83/06
D939,936 S * 1/2022 Wang D8/356
2006/0192059 A1 * 8/2006 Morello F16L 3/16
248/74.3
2010/0139148 A1 * 6/2010 Barker A01K 97/02
43/4.5
2019/0216066 A1 * 7/2019 Nitta A01K 83/06

OTHER PUBLICATIONS

Nitta, posted Feb. 13, 2018 [online], [retrieved Oct. 11, 2023].
Retrieved from internet, <https://www.instagram.com/p/BfJcubAA5jA/?hl=en> (Date:2023) (Year: 2018).*

* cited by examiner

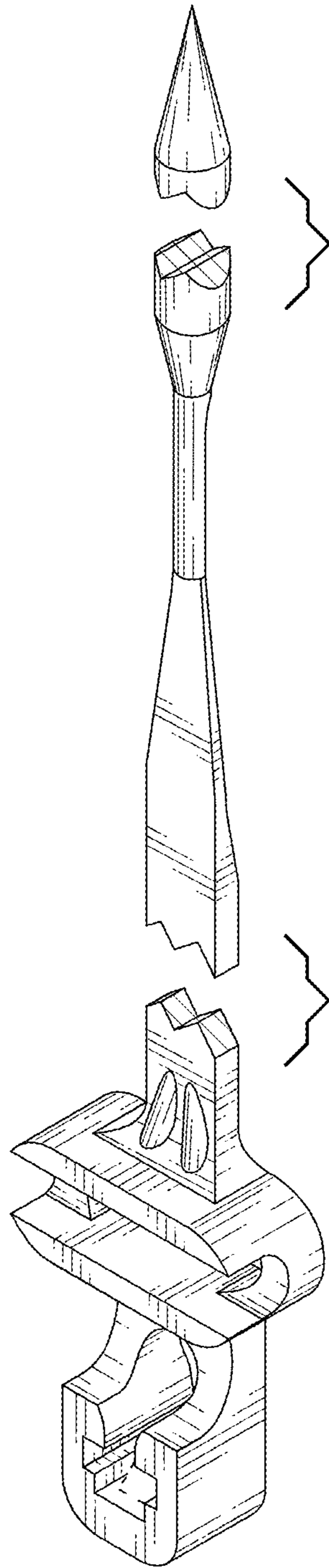


FIG. 1

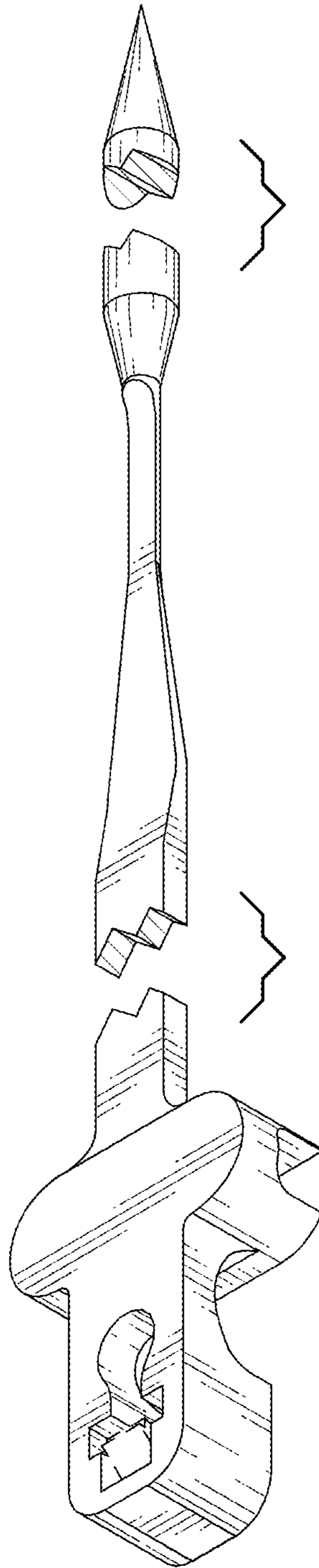


FIG. 2

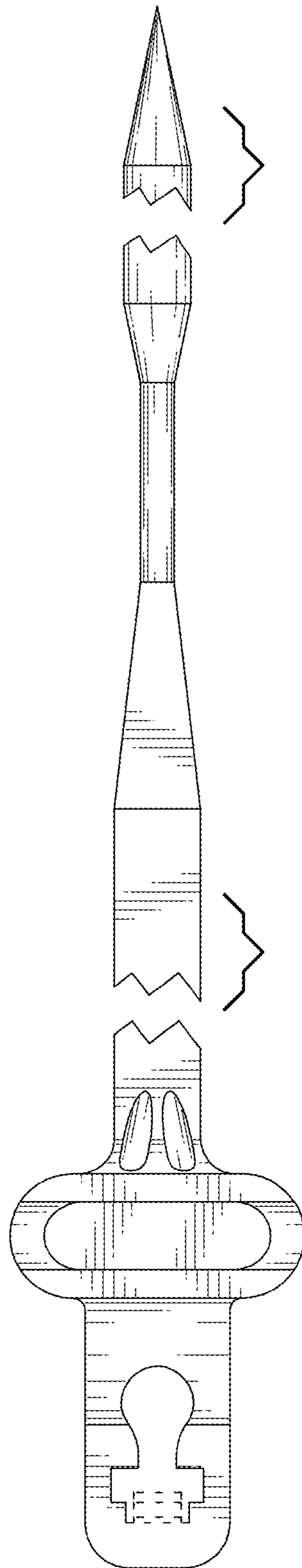


FIG. 3

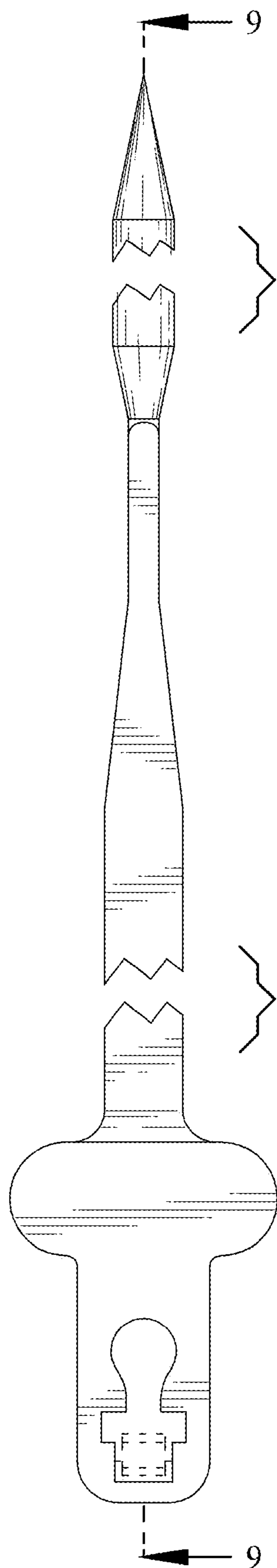


FIG. 4

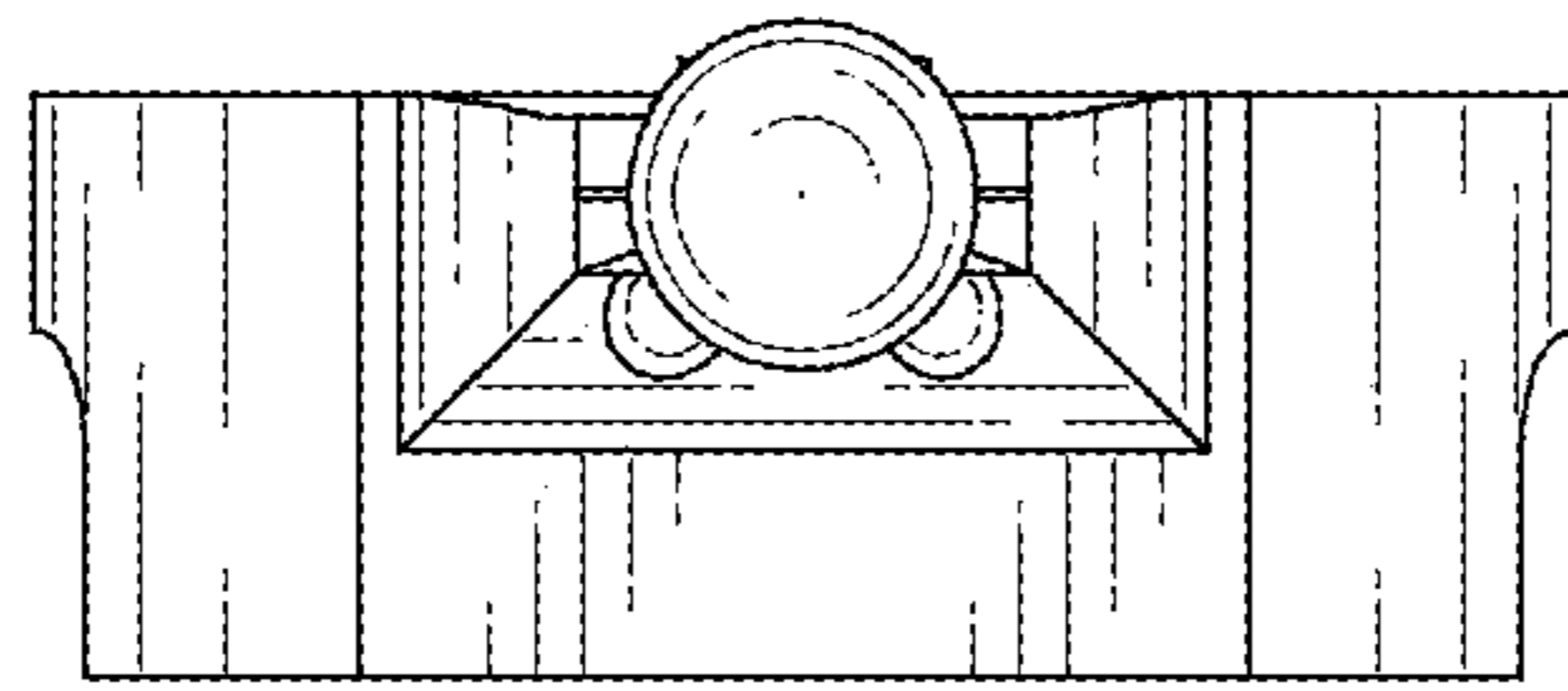


FIG. 5

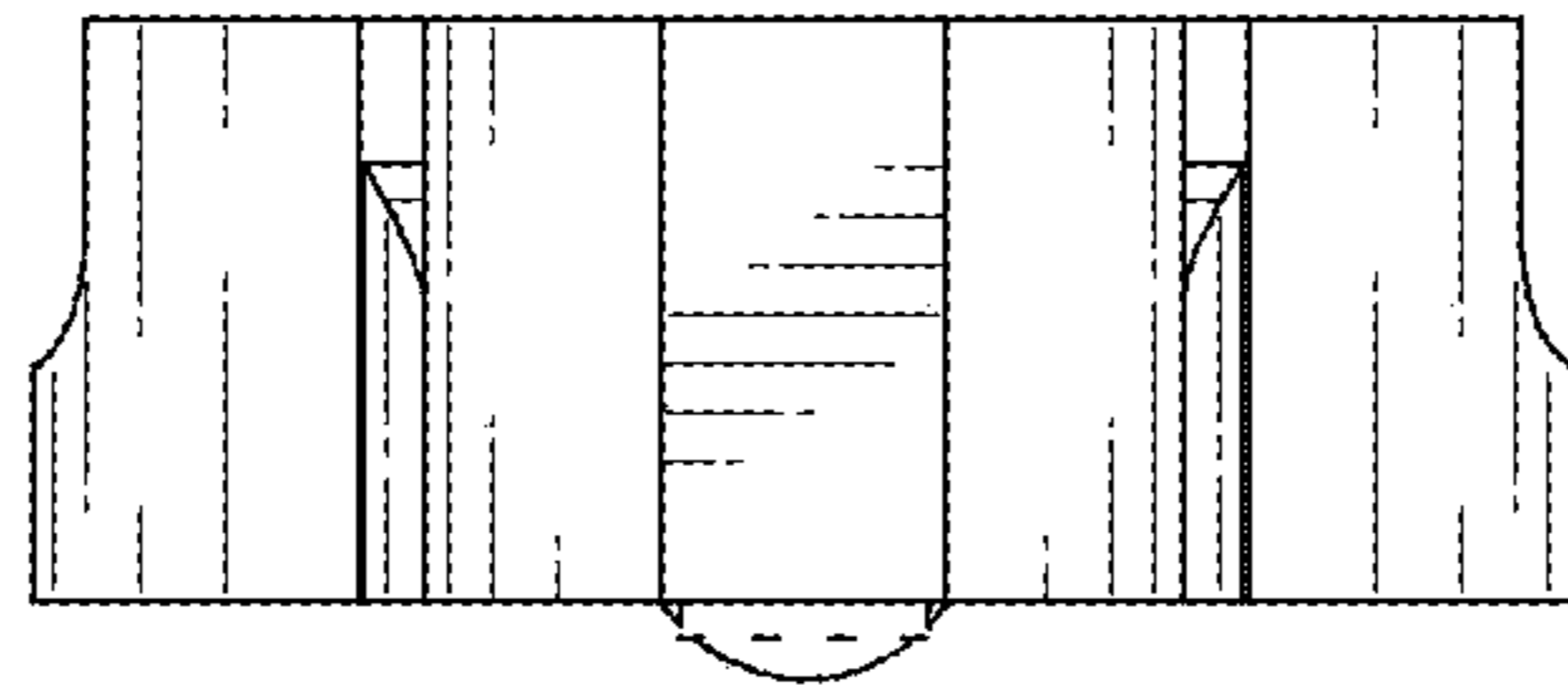


FIG. 6

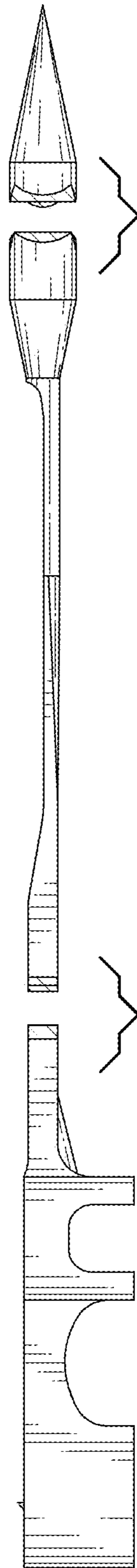


FIG. 7

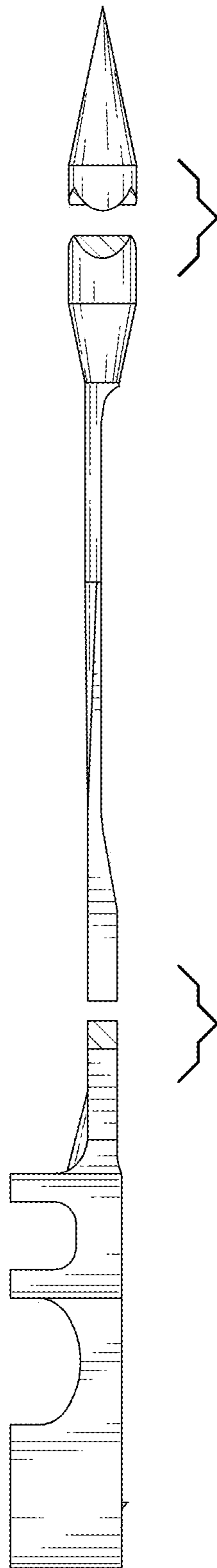


FIG. 8

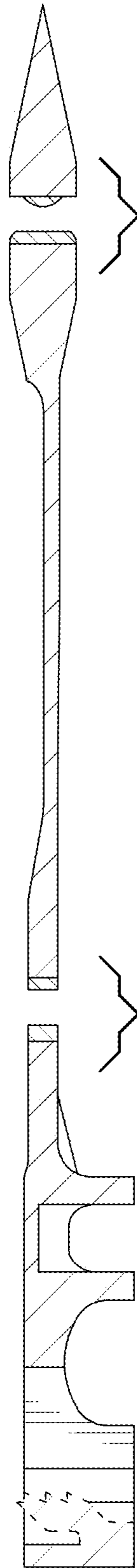


FIG. 9