



US0D1016192S

(12) **United States Design Patent** (10) **Patent No.:** **US D1,016,192 S**
Mullin et al. (45) **Date of Patent:** **** Feb. 27, 2024**

(54) **BALL LAUNCHER**
(71) Applicant: **MAKE IDEAS, LLC**, La Jolla, CA (US)
(72) Inventors: **Keith Mullin**, La Jolla, CA (US); **Christopher Taddei**, Carlsbad, CA (US)
(73) Assignee: **Make Ideas, LLC**, La Jolla, CA (US)

2,710,753 A 6/1955 Lockwood
2,935,323 A 5/1960 Cummings
3,048,399 A 8/1962 Breitbach
D194,045 S 11/1962 Hasselbusch
3,111,314 A 11/1963 Topper
3,115,129 A 12/1963 Merriman
3,120,387 A 2/1964 Weinstein
3,214,168 A 10/1965 Sauber
(Continued)

(**) Term: **15 Years**
(21) Appl. No.: **29/836,370**

FOREIGN PATENT DOCUMENTS

WO WO-2017129993 A1 * 8/2017 A01K 15/02
WO 2017178900 A1 10/2017

(22) Filed: **Apr. 26, 2022**
(51) **LOC (14) Cl.** **21-02**
(52) **U.S. Cl.**
USPC **D21/722; D30/160**
(58) **Field of Classification Search**
USPC **D21/722; D30/160**
CPC . **F41B 3/03; A63B 60/34; A63B 59/20; A63B 59/30; A63B 65/00-127; A63B 67/16**
See application file for complete search history.

OTHER PUBLICATIONS

Ball launcher google search; google.com; Sep. 13, 2023.*
(Continued)

Primary Examiner — Mitchell I. Siegel
(74) *Attorney, Agent, or Firm* — Tillman Wright, PLLC; James D. Wright; David R. Higgins

(56) **References Cited**

U.S. PATENT DOCUMENTS

755,117 A 3/1904 Dunn
838,257 A 12/1906 Kinst
930,918 A 8/1909 Barry
1,535,029 A 4/1925 Murch
1,582,811 A 4/1926 Adler
1,585,446 A 5/1926 Warwick
1,593,577 A 7/1926 Kaiser
1,674,294 A 6/1928 O'Rourke
1,865,173 A 6/1932 Dickerman
1,877,820 A 9/1932 Costello
1,946,373 A 2/1934 Walsh
2,135,232 A 11/1938 Dawn
2,237,748 A 4/1941 Schwarzenzer
2,340,530 A 2/1944 Hefner
2,670,958 A 3/1954 Leiser et al.

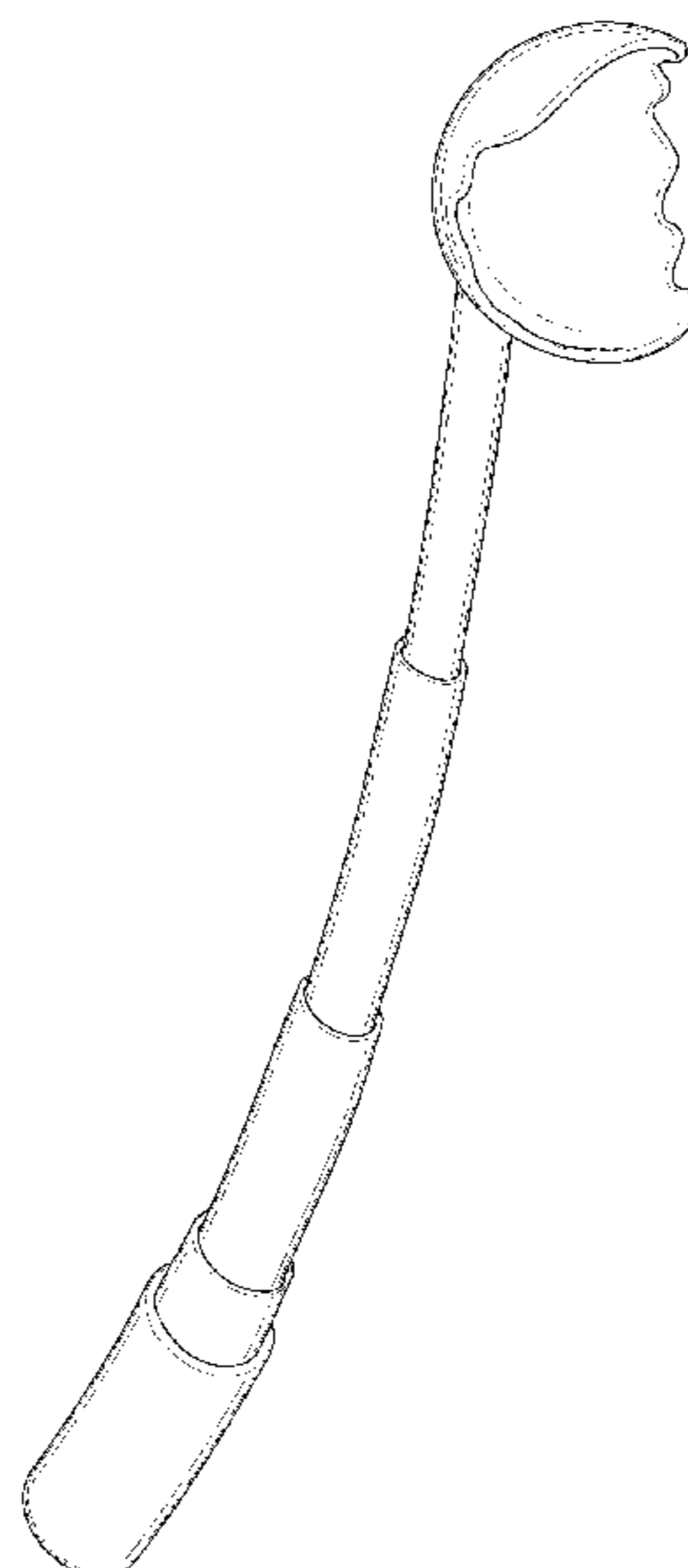
(57) **CLAIM**

The ornamental design for a ball launcher, as shown and described.

DESCRIPTION

FIG. 1 is a front perspective view of a new design for a ball launcher;
FIG. 2 is a top rear isometric view of the ball launcher of FIG. 1;
FIG. 3 is a front view of the ball launcher of FIG. 1;
FIG. 4 is a left side view of the ball launcher of FIG. 1;
FIG. 5 is a right side view of the ball launcher of FIG. 1;
FIG. 6 is a top view of the ball launcher of FIG. 1;
FIG. 7 is a bottom view of the ball launcher of FIG. 1; and,
FIG. 8 is a rear view of the ball launcher of FIG. 1.

1 Claim, 7 Drawing Sheets



(56)

References Cited

U.S. PATENT DOCUMENTS

3,236,521 A 2/1966 Knott
 3,246,894 A 4/1966 Salisbury
 3,268,226 A 8/1966 Martino
 3,392,978 A 7/1968 Wiest
 3,424,461 A 1/1969 Kirk
 3,428,036 A 2/1969 Parker
 3,496,924 A 2/1970 Miller
 3,529,589 A 9/1970 Esser
 3,589,349 A 6/1971 Parker
 3,819,179 A 6/1974 Ambler et al.
 3,833,217 A 9/1974 Greaney
 3,841,292 A 10/1974 Hoffman
 3,844,555 A 10/1974 Tremblay
 3,874,666 A 4/1975 Ross
 3,897,058 A 7/1975 Koch
 3,944,225 A 3/1976 Greaney
 4,052,060 A 10/1977 Balkom
 4,214,751 A 7/1980 Simpson
 4,236,271 A 12/1980 Martino
 4,352,495 A 10/1982 Marchionda
 4,513,692 A 4/1985 Kuhnsman et al.
 4,717,155 A 1/1988 Chu-Hwa
 4,752,076 A 6/1988 Gelinas, Jr.
 4,834,376 A 5/1989 Steinberg
 4,863,174 A 9/1989 Cummings
 4,890,846 A 1/1990 Spanski
 4,974,574 A 12/1990 Cutlip
 5,024,435 A 6/1991 Robbins
 5,054,778 A 10/1991 Maleyko
 5,056,821 A 10/1991 Fierro
 5,080,371 A 1/1992 Karczewski
 D325,612 S 4/1992 Longo
 5,213,324 A 5/1993 Bowers
 5,228,686 A 7/1993 Maleyko
 D340,752 S 10/1993 Flynn et al.
 5,269,511 A 12/1993 Chavez
 5,333,867 A 8/1994 DiVito
 5,383,661 A 1/1995 Beck
 5,388,822 A 2/1995 Cassady
 5,390,652 A 2/1995 Minneman et al.
 5,395,107 A 3/1995 DePippo
 D358,859 S 5/1995 Bernardo
 5,423,543 A 6/1995 Tarrant
 5,452,891 A 9/1995 Thomas
 5,501,451 A 3/1996 Slusarczyk
 5,651,744 A 7/1997 Millon et al.
 5,674,141 A 10/1997 Laforest
 5,738,433 A 4/1998 Sparks
 5,803,838 A 9/1998 DeMarini et al.
 5,820,438 A 10/1998 Horton
 5,826,366 A 10/1998 Matibe
 5,850,807 A 12/1998 Keeler
 5,888,154 A 3/1999 Hartman
 D413,641 S 9/1999 Falco
 5,947,789 A 9/1999 Chan
 5,947,850 A 9/1999 Gray
 D424,640 S * 5/2000 Oblack D21/722
 6,076,829 A * 6/2000 Oblack A63B 60/34
 473/509
 6,152,491 A 11/2000 Queentry
 6,186,909 B1 2/2001 Swanson
 6,241,629 B1 6/2001 Otto
 6,241,632 B1 6/2001 Obsniuk
 6,314,913 B1 11/2001 Lettau et al.
 6,394,040 B1 5/2002 Axel
 6,477,745 B2 * 11/2002 Strebl A63B 60/12
 24/336
 6,565,462 B1 5/2003 Gregg
 6,572,498 B2 6/2003 Nevers
 6,626,774 B2 9/2003 Sorbie
 D484,938 S * 1/2004 Tu D21/789
 6,719,651 B1 4/2004 Newey
 6,923,738 B1 8/2005 Fulp
 6,925,967 B1 8/2005 Woodruff
 6,949,036 B2 9/2005 Ciesar et al.

7,114,465 B1 1/2006 Winter
 7,032,583 B1 4/2006 Hall
 7,051,470 B2 5/2006 Lybarger et al.
 D525,670 S 7/2006 Green
 7,112,153 B1 9/2006 Beu
 7,140,327 B2 11/2006 Morehead
 D537,893 S 3/2007 Freeland
 D539,859 S 4/2007 Eldridge
 7,244,201 B2 7/2007 Hale
 D554,717 S * 11/2007 McKinnell D21/722
 7,395,629 B1 7/2008 Thomas
 D585,513 S 1/2009 Scheele
 7,566,157 B2 7/2009 Lo
 7,677,994 B2 3/2010 Matsumoto et al.
 7,686,001 B2 * 3/2010 Fitt A63B 59/20
 124/5
 D630,277 S * 1/2011 McKinnell D21/722
 7,900,617 B1 3/2011 Kersh
 7,935,009 B2 5/2011 Mullin
 D640,338 S * 6/2011 Oblack D21/722
 D655,359 S * 3/2012 Thorogood D21/722
 D666,686 S * 9/2012 Burger D21/722
 D674,851 S * 1/2013 Osborne D21/722
 8,418,681 B2 4/2013 Levin et al.
 8,857,419 B2 * 10/2014 Hansen A63B 60/12
 124/5
 9,392,768 B1 7/2016 Mullin
 9,454,082 B2 9/2016 Lamanna et al.
 9,668,456 B2 6/2017 Parness
 10,195,503 B1 2/2019 Lesh
 10,220,282 B1 * 3/2019 Steinkraus A01K 15/027
 D863,476 S * 10/2019 Haarburger D21/722
 D889,057 S * 6/2020 Steinkraus D30/160
 D898,139 S * 10/2020 Stearman D21/722
 D907,727 S * 1/2021 Tamulewicz D21/722
 11,198,047 B2 * 12/2021 Tamulewicz A63B 60/48
 D958,273 S * 7/2022 Houser D21/722
 D965,713 S * 10/2022 Richardson D21/722
 2001/0034275 A1 10/2001 Dunnack et al.
 2002/0072436 A1 6/2002 Liu
 2003/0069095 A1 4/2003 Turos
 2006/0011145 A1 1/2006 Kates
 2006/0063616 A1 3/2006 Nye et al.
 2006/0094545 A1 5/2006 Blades
 2007/0111830 A1 5/2007 Wright
 2007/0155525 A1 7/2007 Davenport et al.
 2007/0277746 A1 12/2007 Piaget
 2008/0004140 A1 1/2008 Matsumoto et al.
 2008/0039241 A1 2/2008 Pope
 2008/0261729 A1 10/2008 Mullin
 2008/0261730 A1 10/2008 Mullin
 2008/0261732 A1 10/2008 Mullin
 2008/0314372 A1 12/2008 Guindon et al.
 2009/0025699 A1 * 1/2009 Mongkolkasetarin
 A01K 15/025
 124/26
 2010/0197429 A1 8/2010 Mullin
 2010/0234146 A1 9/2010 Mullin
 2012/0227721 A1 9/2012 Geller
 2013/0098308 A1 4/2013 Tanner
 2013/0104869 A1 5/2013 Lewis et al.
 2013/0192535 A1 8/2013 Smith
 2013/0284158 A1 10/2013 Hansen
 2014/0144417 A1 5/2014 Evans
 2015/0090237 A1 4/2015 Williams
 2015/0342146 A1 12/2015 Tucker
 2018/0117433 A1 * 5/2018 Scott A63B 65/122
 2018/0326271 A1 * 11/2018 Cartledge A01K 15/025

OTHER PUBLICATIONS

walmart.com; The Dodo Retractable Ball Launcher Dog Toy; Sep. 13, 2023.*
 amazon.com; Hyper Pet Telescoping Dog Ball Thrower Launcher; Sep. 13, 2023.*

(56)

References Cited

OTHER PUBLICATIONS

Telescoping handle ball launcher google search; google.com; Sep. 13, 2023.*

* cited by examiner

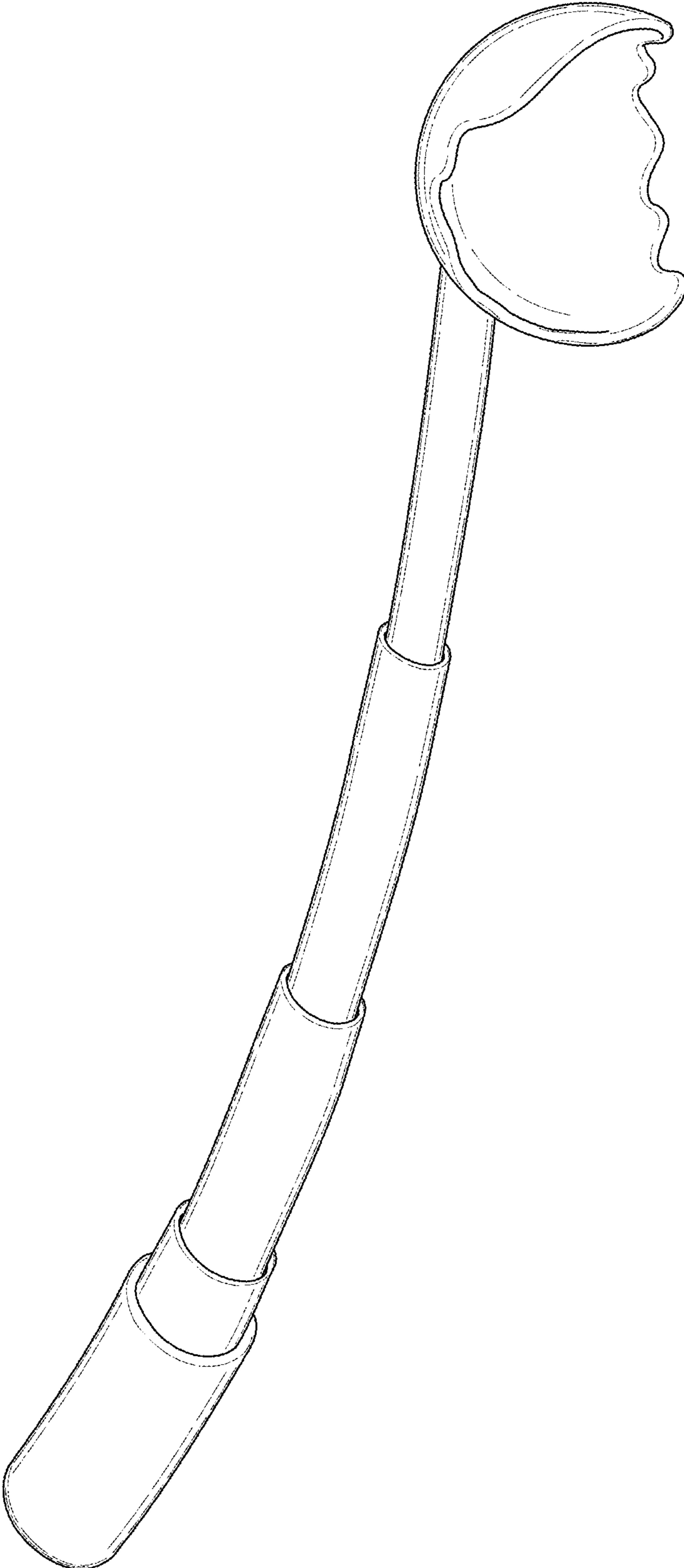


FIG. 1

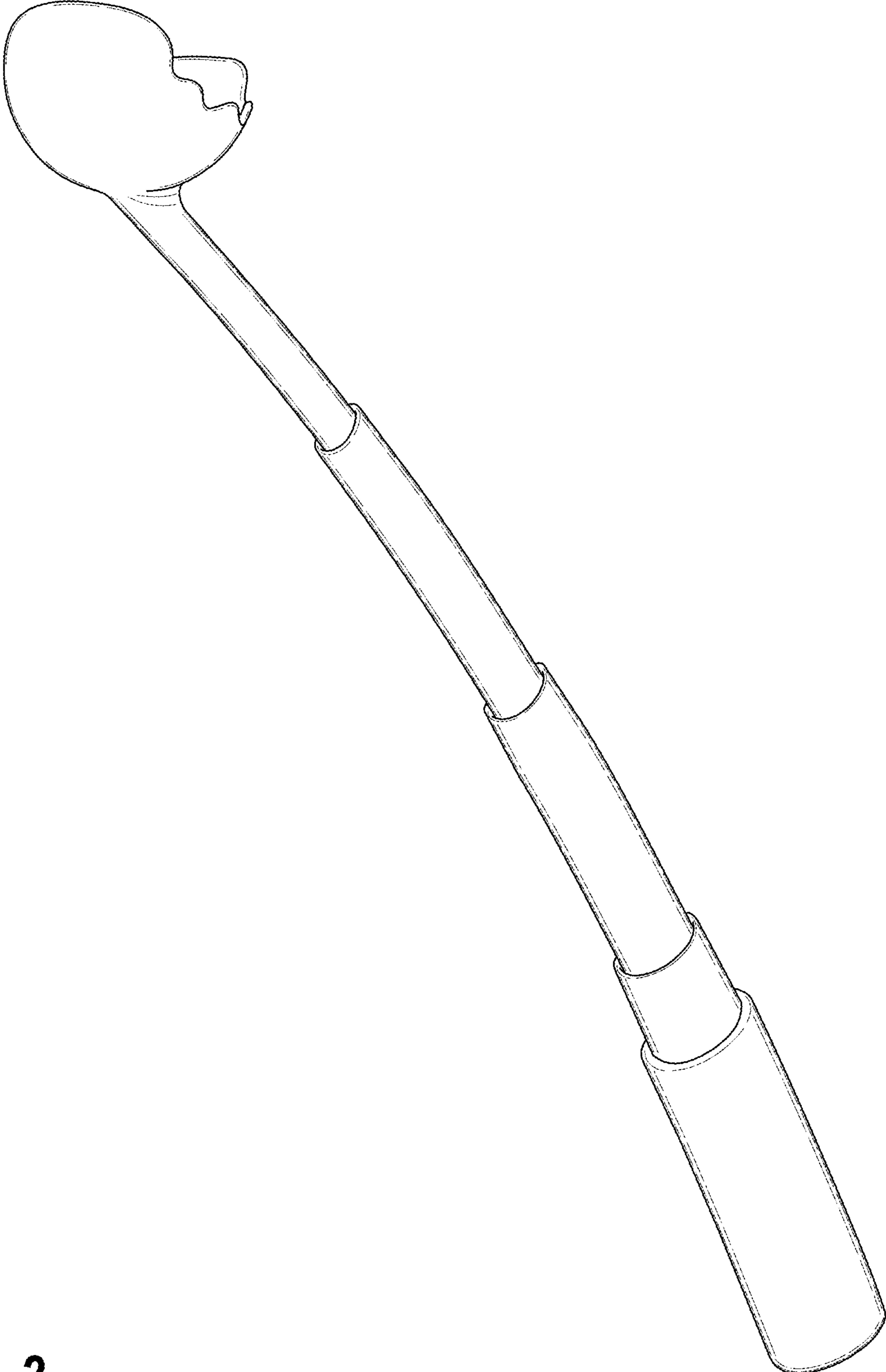


FIG. 2

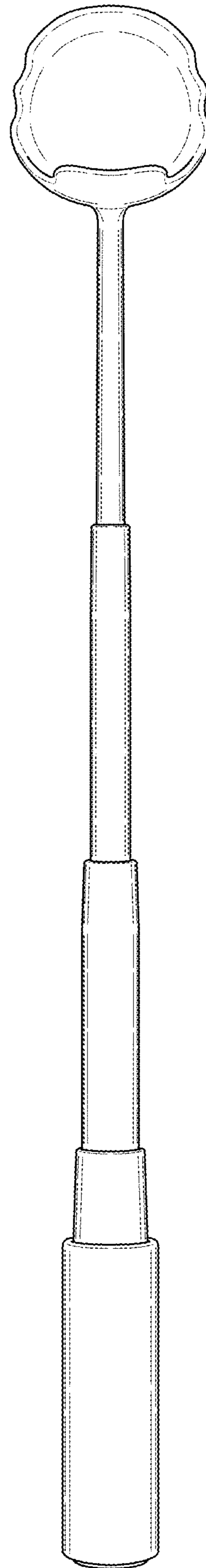


FIG. 3

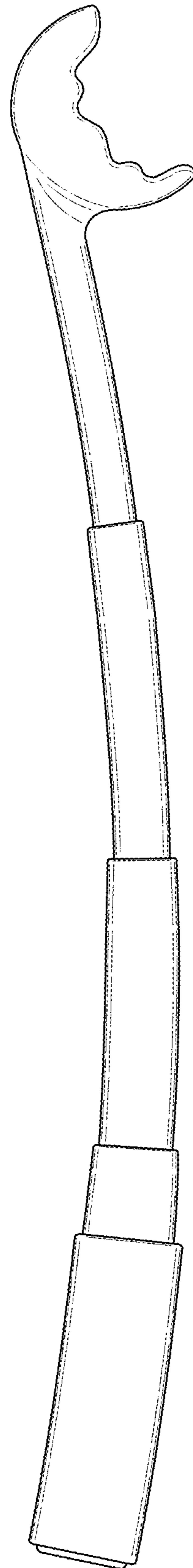


FIG. 4

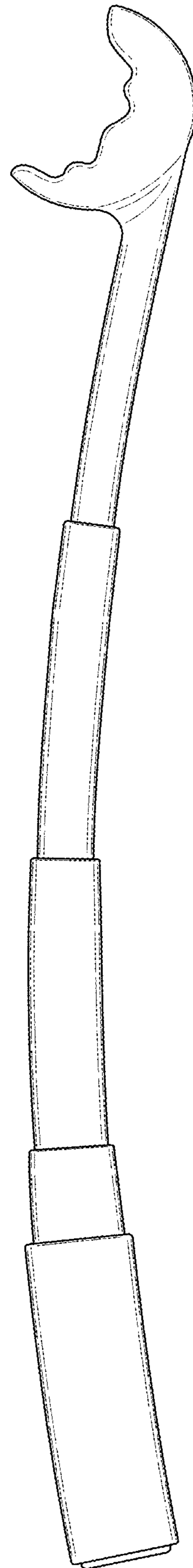


FIG. 5

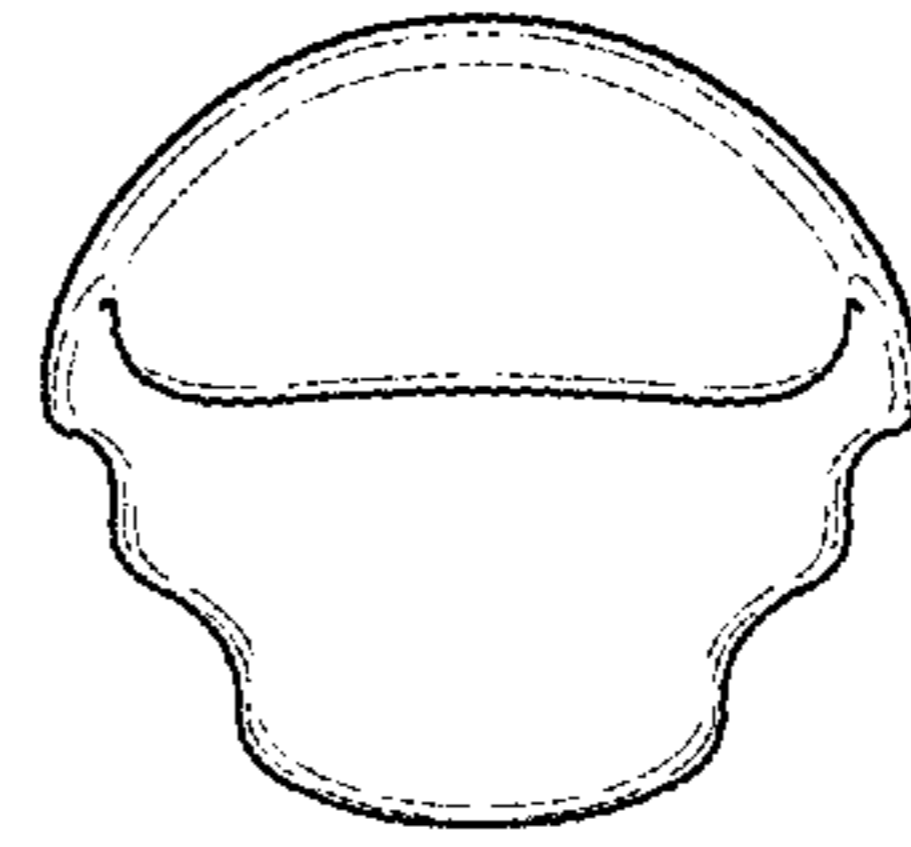


FIG. 6

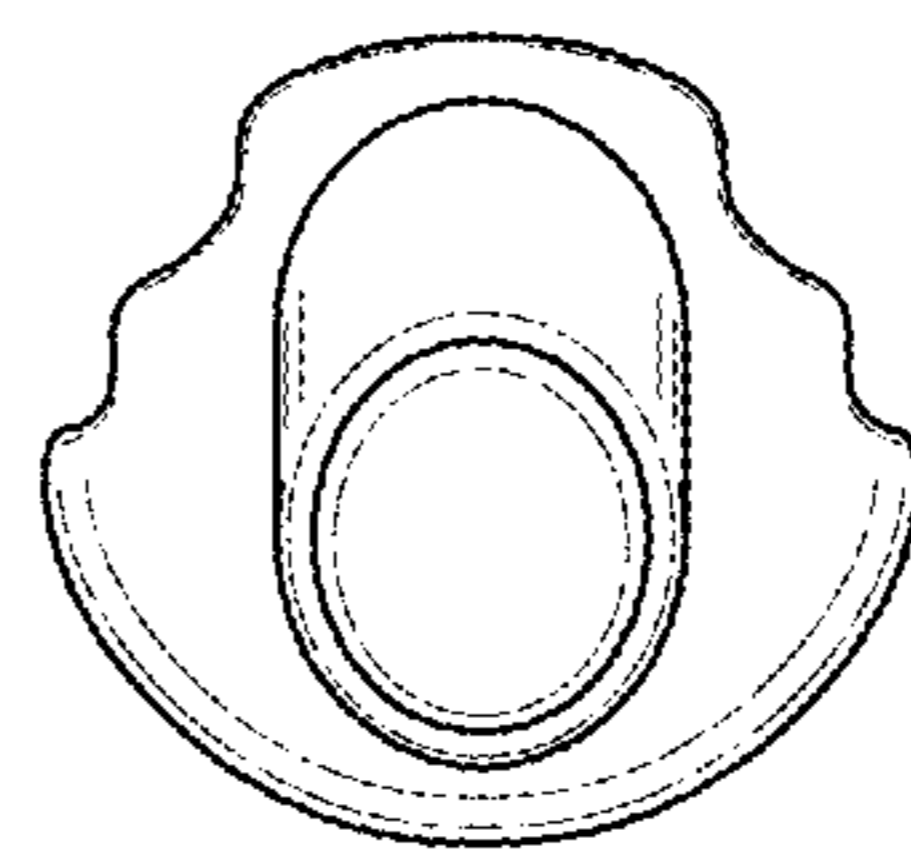


FIG. 7

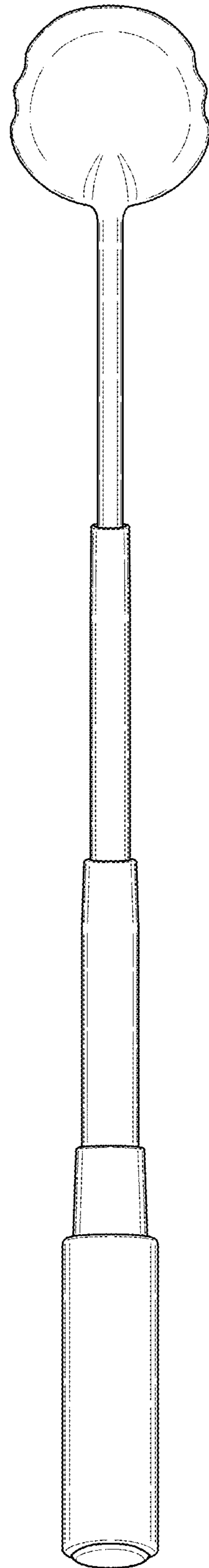


FIG. 8