



US0D1016170S

(12) **United States Design Patent** (10) **Patent No.:** **US D1,016,170 S**  
**Samson et al.** (45) **Date of Patent:** **\*\* Feb. 27, 2024**

(54) **GAME**  
(71) Applicant: **Sandstone Media, LLC**, Las Vegas, NV (US)  
(72) Inventors: **James Samson**, Los Angeles, CA (US); **Kyle Rosenblum**, Los Angeles, CA (US); **Jonathan Sanford**, Los Angeles, CA (US); **Mark Manuel**, Los Angeles, CA (US)

D325,306 S \* 4/1992 Barfield ..... D6/707.13  
D330,741 S \* 11/1992 Matsch ..... D21/826  
D338,920 S \* 8/1993 Appel ..... D21/305  
5,443,012 A \* 8/1995 Underbrink ..... A63G 21/20  
472/27  
D476,338 S \* 6/2003 Mabbutt ..... D14/458  
6,641,139 B2 \* 11/2003 Lamberti ..... F41J 5/14  
273/378

(Continued)

**OTHER PUBLICATIONS**

(73) Assignee: **Sandstone Media, LLC**, Las Vegas, NV (US)

Caleb Nash Feemster, Ultimate Nerf Multi-Sport Challenge, published on Jan. 7, 2020 [online]. Retrieved from internet (Date: Mar. 15, 2023), <https://www.youtube.com/watch?v=znvRN3SovTM> (Year: 2020).\*

(\*\*) Term: **15 Years**

(Continued)

(21) Appl. No.: **29/806,537**

*Primary Examiner* — Katherine A Holbrow

(22) Filed: **Sep. 3, 2021**

*Assistant Examiner* — Riya Salil Kamat

(51) **LOC (14) Cl.** ..... **21-03**

(74) *Attorney, Agent, or Firm* — Patterson + Sheridan, LLP

(52) **U.S. Cl.**

USPC ..... **D21/811**; D21/300; D21/701; D21/814; D21/827

(57) **CLAIM**

(58) **Field of Classification Search**

The ornamental design for a game, as shown and described.

USPC ..... D21/300, 302, 306, 701, 736, 780, 811, D21/814, 825, 826, 827

**DESCRIPTION**

CPC ..... A63G 31/12; A63G 31/02; A63B 9/00; A63B 2009/006; A63B 2071/0655; A63B 2244/08; A63B 2244/12; A63B 2244/10; A63B 2244/04; A63B 63/00; A63B 2063/006; A63B 2063/065; A63B 2063/086

See application file for complete search history.

FIG. 1 is a front isometric view of a game showing our new design.

FIG. 2 is a rear isometric view of a game showing our new design.

FIG. 3 is a front view of a game showing our new design.

FIG. 4 is a rear view of a game showing our new design.

FIG. 5 is a left side view of a game showing our new design.

FIG. 6 is a right side view of a game showing our new design; and,

FIG. 7 is a top plan view of a game showing our new design.

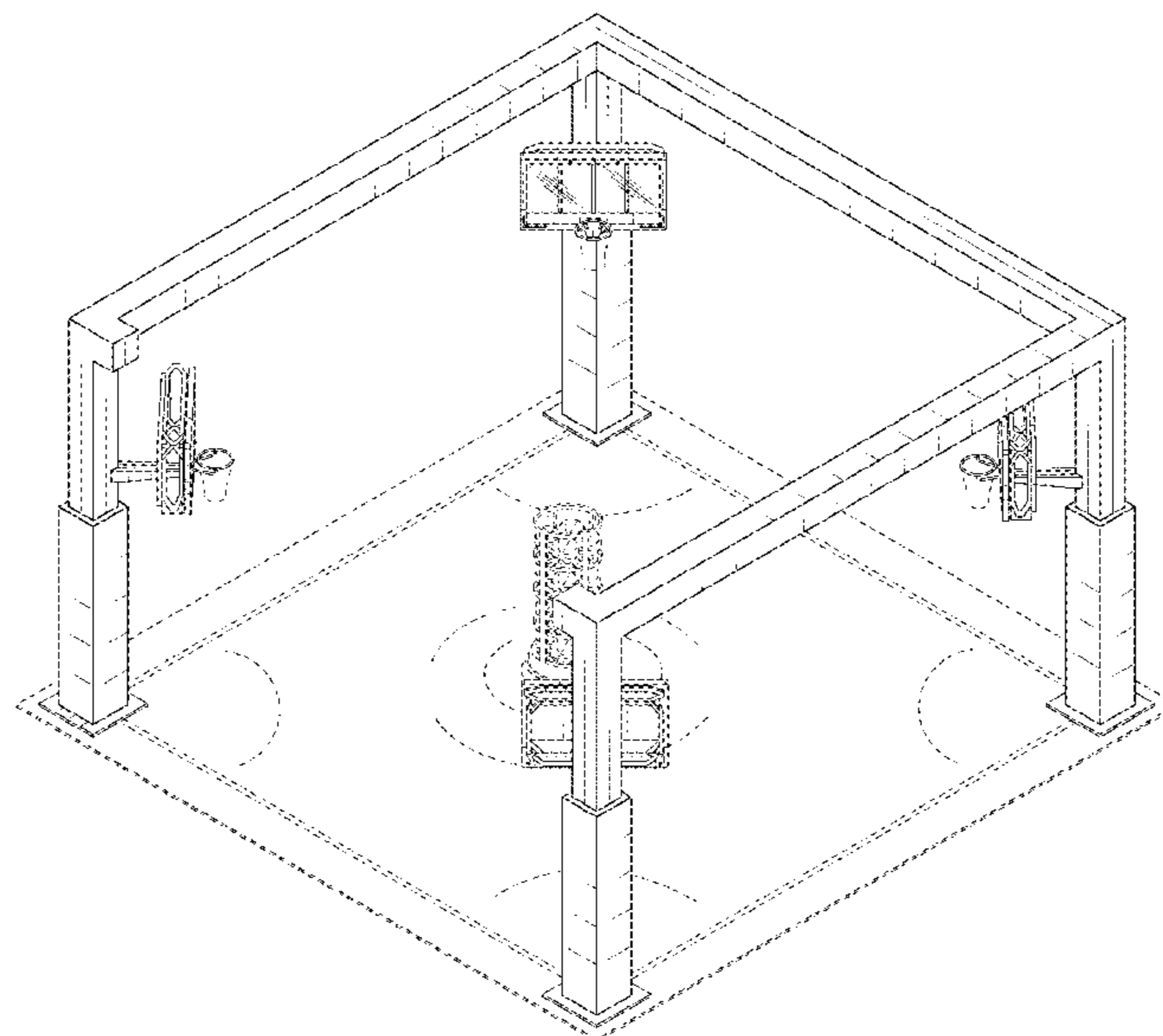
The portions illustrated in broken lines form no part of the claimed design.

(56) **References Cited**

**U.S. PATENT DOCUMENTS**

3,850,428 A \* 11/1974 Zuber ..... A63B 9/00  
482/36  
4,375,888 A \* 3/1983 Willcox ..... A63B 63/00  
473/190

**1 Claim, 7 Drawing Sheets**



(56)

**References Cited**

U.S. PATENT DOCUMENTS

6,866,594 B2 \* 3/2005 Greenwood ..... A63B 69/00  
473/422  
7,975,437 B2 \* 7/2011 Byrd ..... A63G 31/00  
472/136  
8,708,821 B2 \* 4/2014 Barney ..... A63F 13/31  
463/36  
D770,567 S \* 11/2016 Tsai ..... D21/314  
9,604,112 B2 \* 3/2017 Gilman ..... A63B 69/00  
D803,340 S \* 11/2017 Scherba ..... D21/814  
D823,418 S \* 7/2018 Bagumyan ..... D21/811  
D824,471 S \* 7/2018 Bagumyan ..... D21/818  
10,058,754 B2 \* 8/2018 Parker ..... A63B 63/00  
D861,107 S \* 9/2019 Whincup ..... D21/811  
D861,819 S \* 10/2019 Whincup ..... D21/811  
10,881,932 B2 \* 1/2021 Burns ..... A63B 67/06

OTHER PUBLICATIONS

Rumble Viral, arcade basketball player, published on Feb. 11, 2015 [online]. Retrieved from internet (Date: Mar. 17, 2023), <https://www.youtube.com/watch?v=bpyX5E1tARK> (Year: 2015).\*  
Canadian Examination Report dated Aug. 31, 2023 for Application No. 210815.

\* cited by examiner

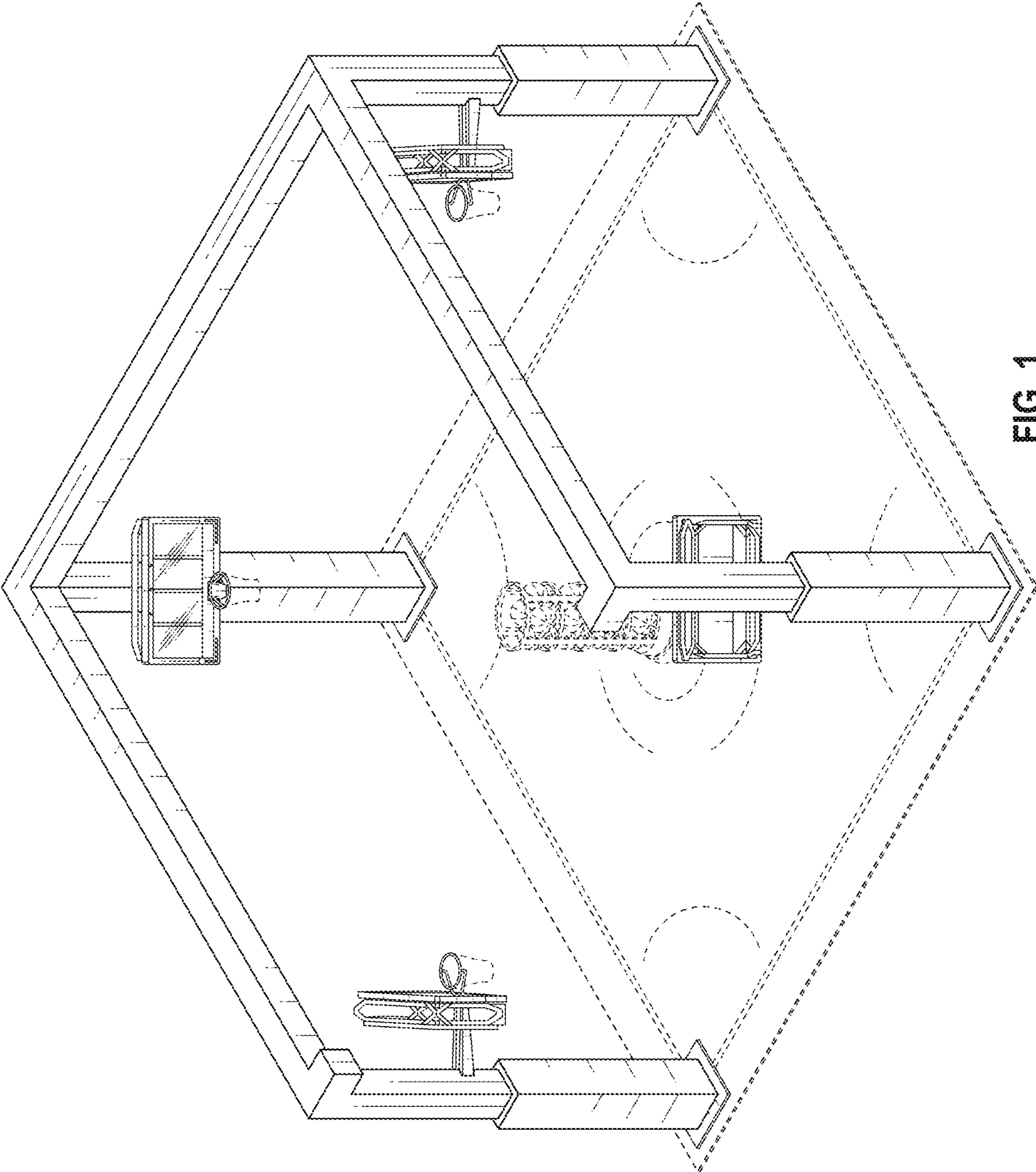


FIG. 1

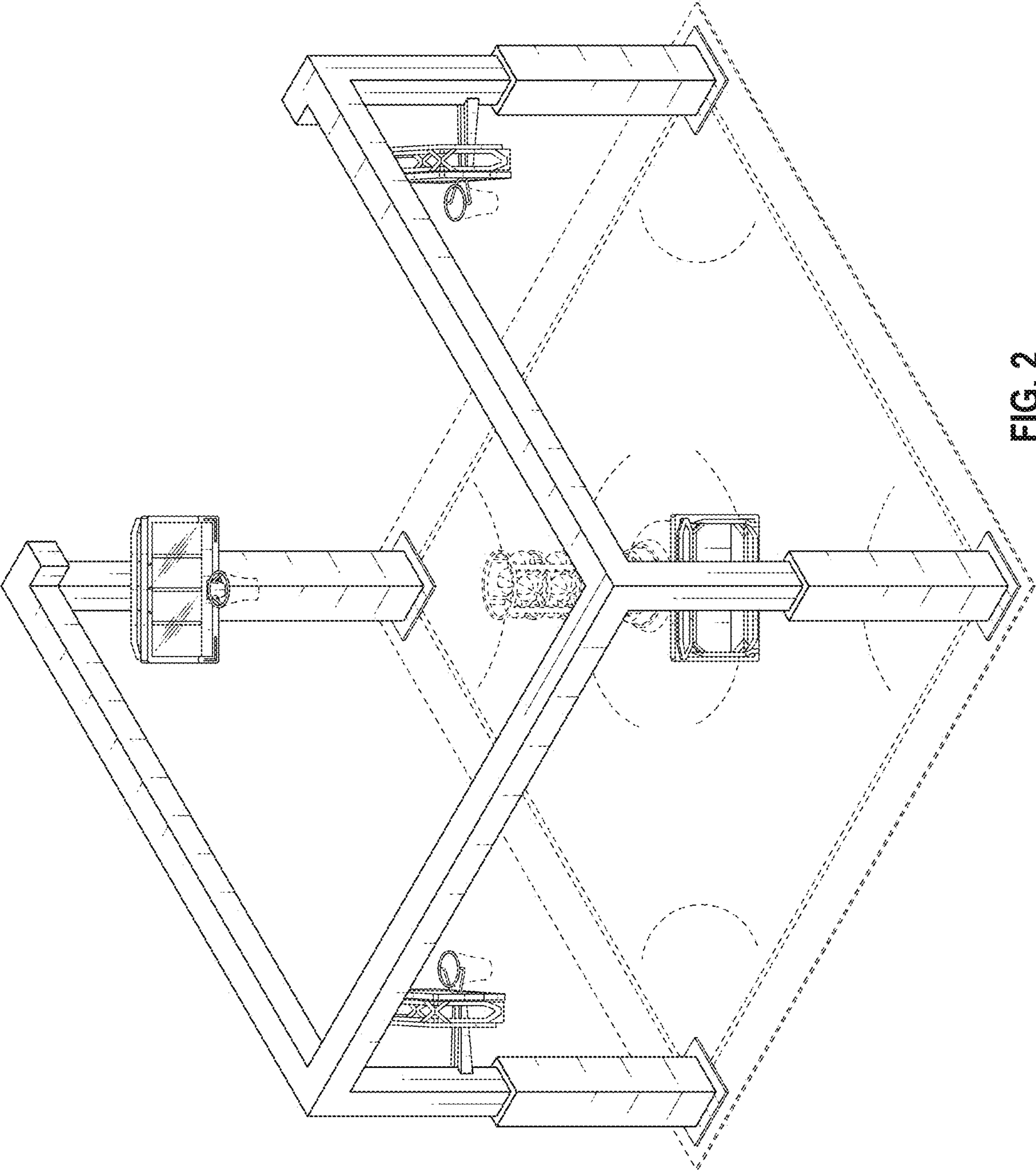


FIG. 2

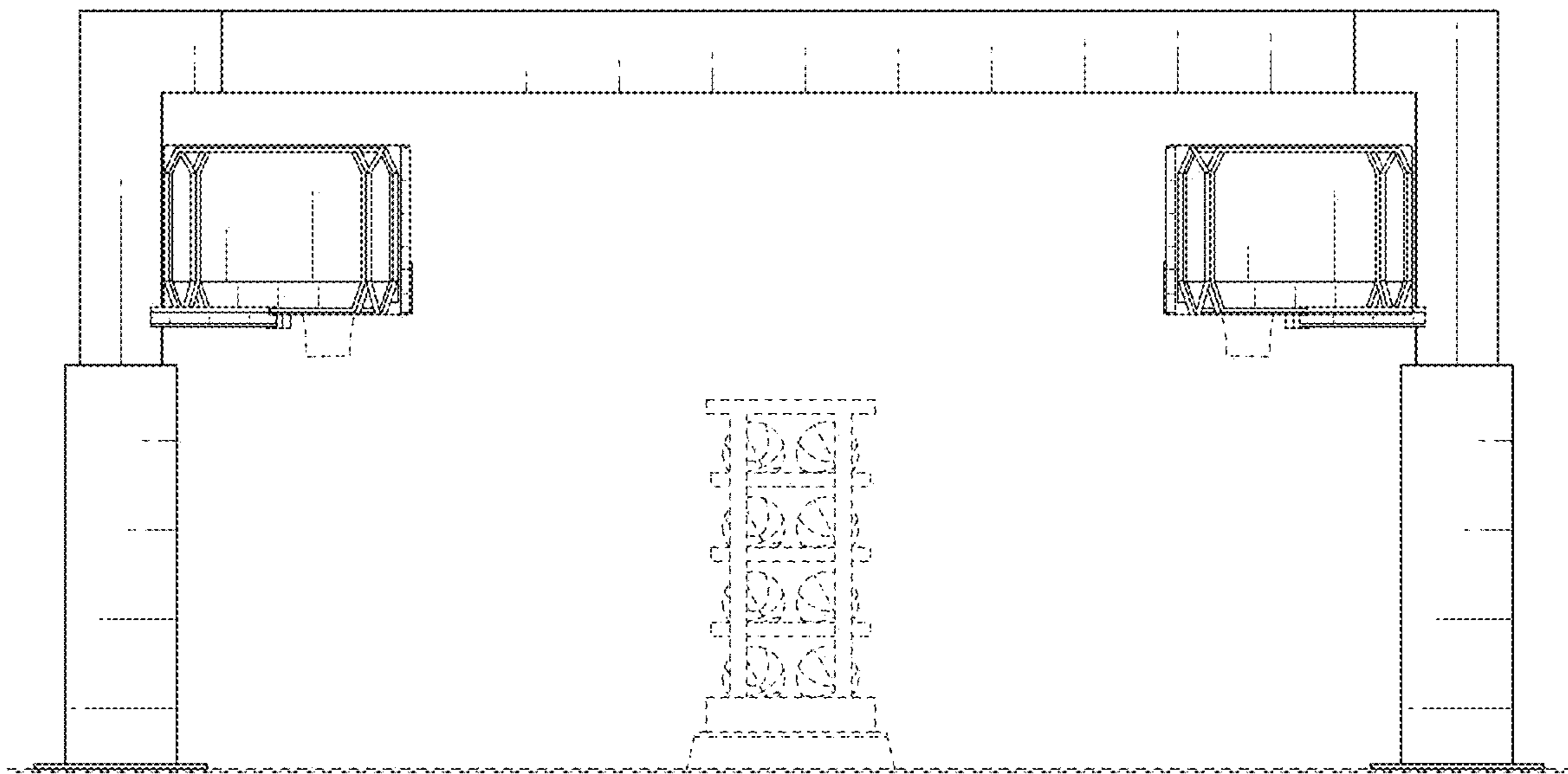


FIG. 3

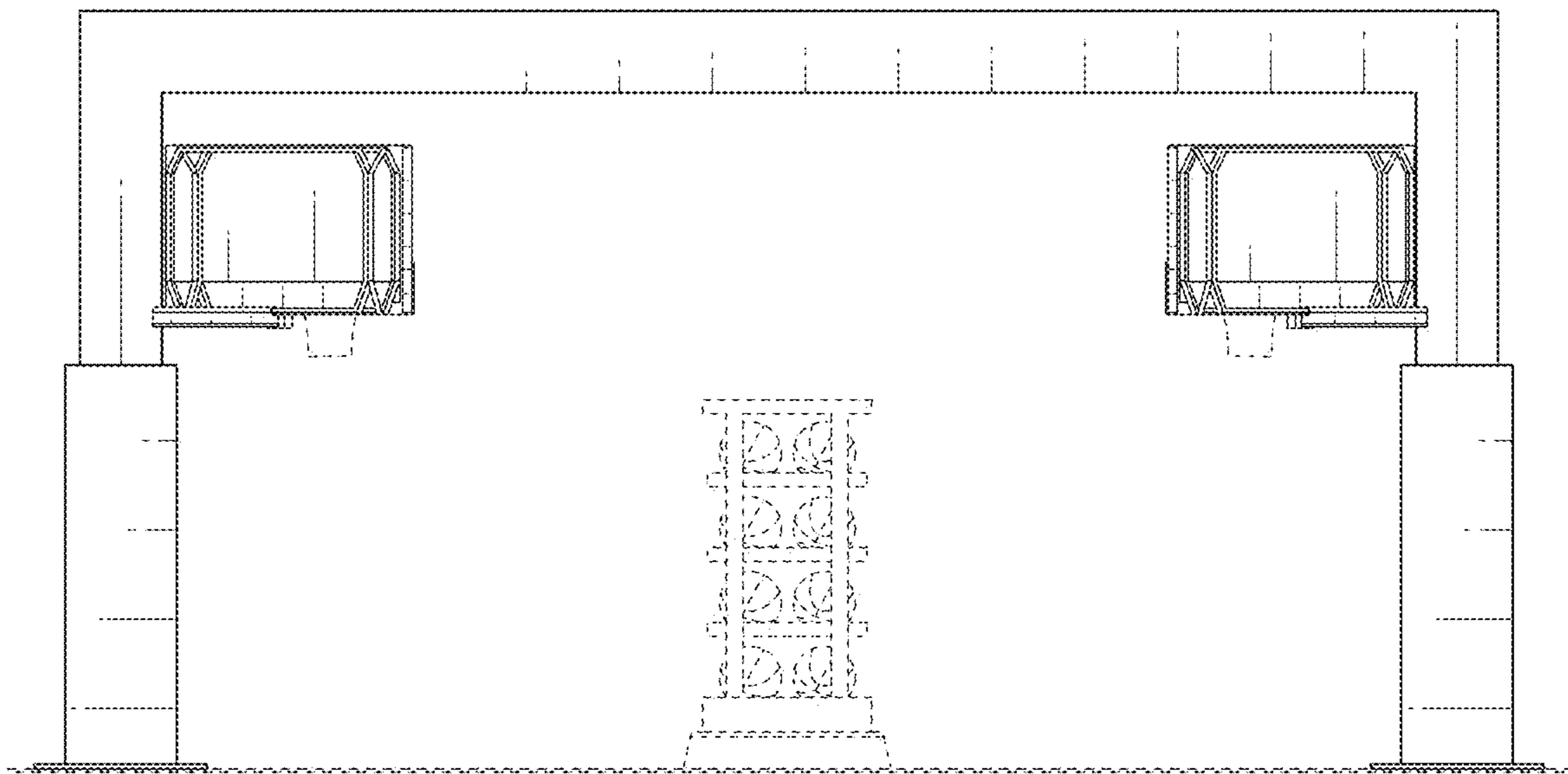


FIG. 4

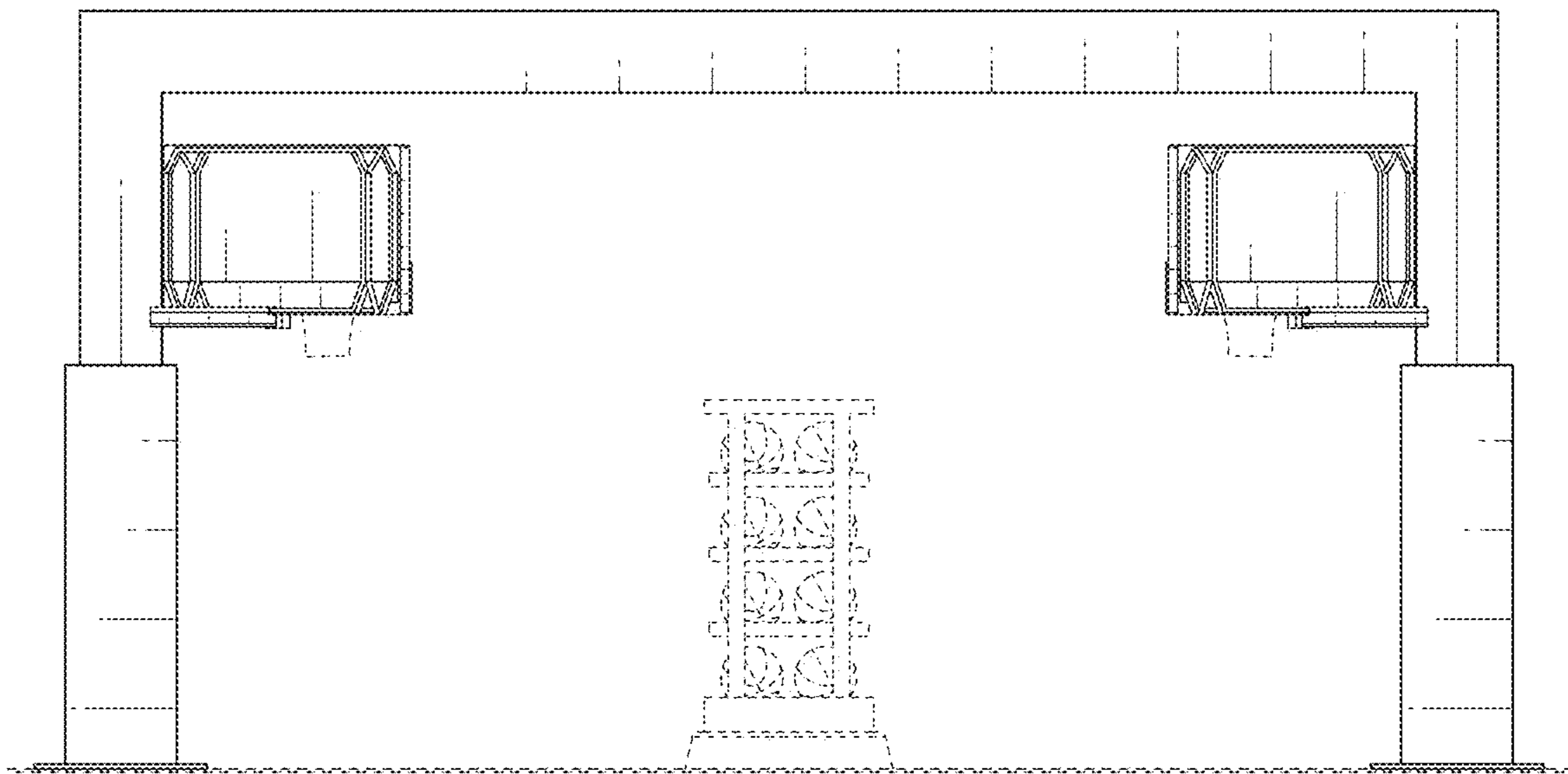


FIG. 5

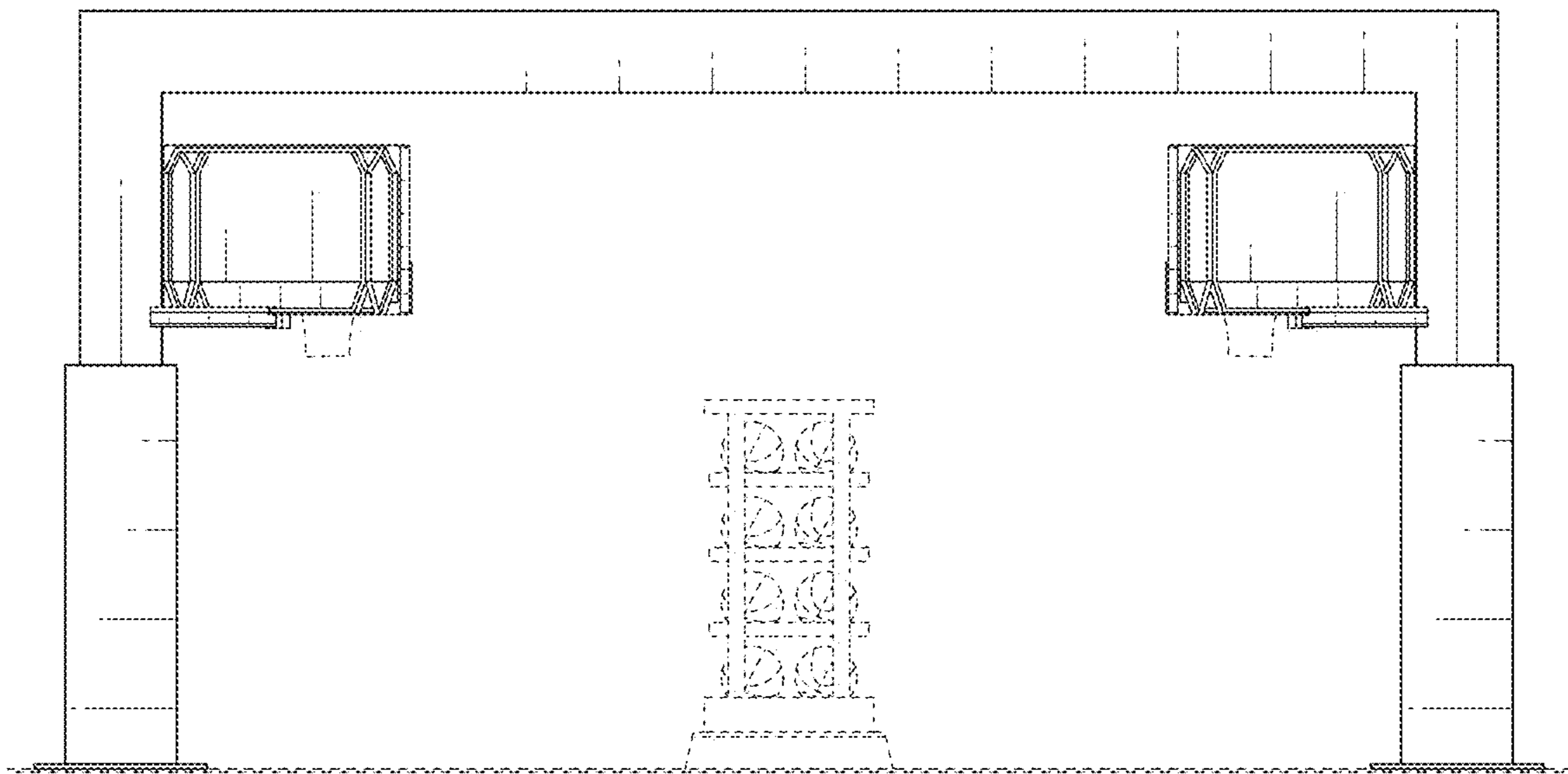


FIG. 6



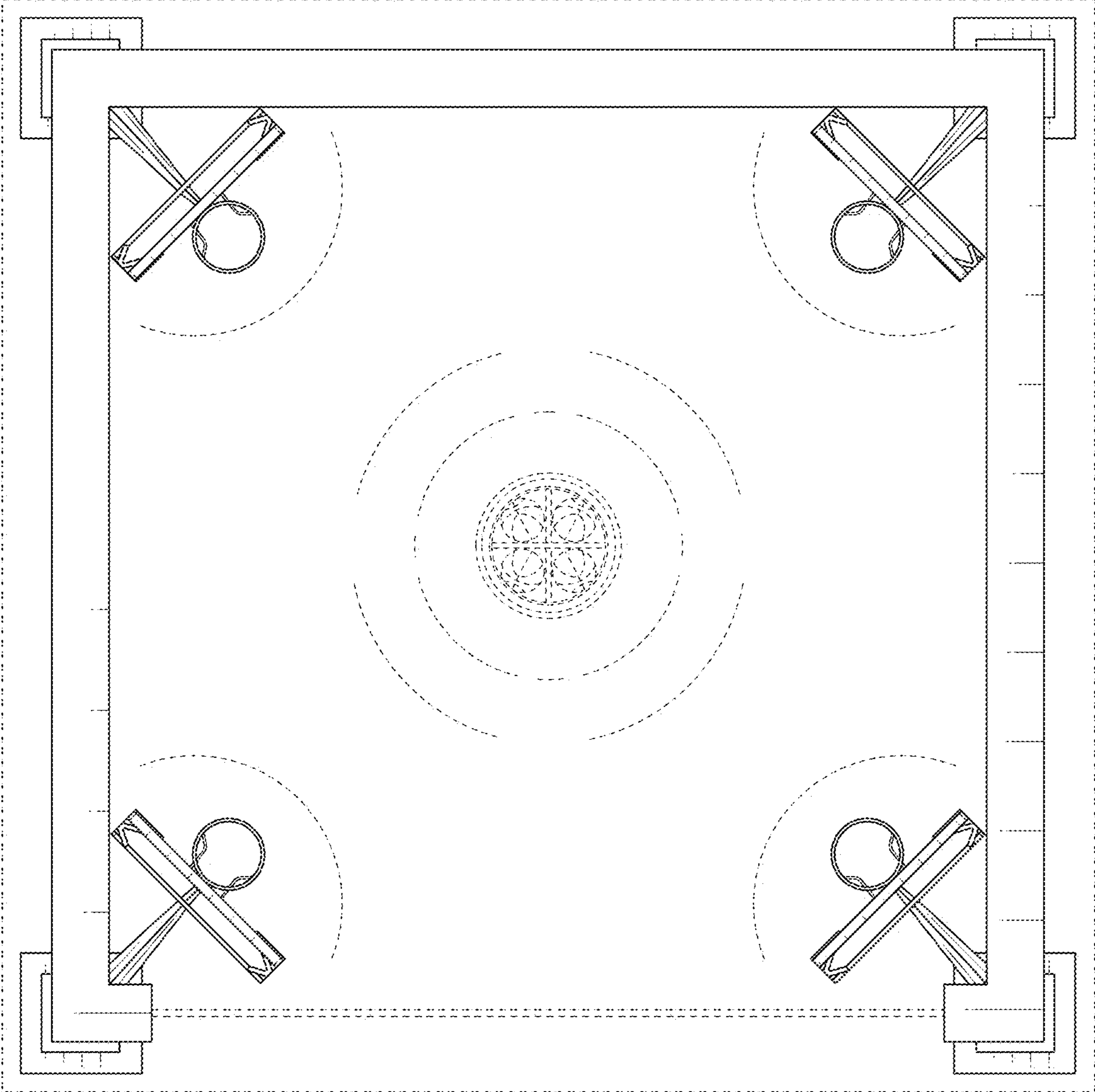


FIG. 7