



US0D1016095S

(12) **United States Design Patent** (10) **Patent No.:** **US D1,016,095 S**
Zatschler (45) **Date of Patent:** **** Feb. 27, 2024**

(54) **BLOW-OFF VALVE BODY**

D949,922 S * 4/2022 Middlebrook D15/5
2009/0151959 A1 6/2009 Darnell et al.
2016/0123274 A1* 5/2016 Miller F02F 3/00
123/41.35

(71) Applicant: **Accurate Repetition Pty Limited,**
Peakhurst (AU)

(72) Inventor: **Harrison Beau Zatschler,** Illawong
(AU)

(73) Assignee: **ACCURATE REPETITION PTY LIMITED,** Peakhurst (AU)

(**) Term: **15 Years**

(21) Appl. No.: **29/759,520**

(22) Filed: **Nov. 23, 2020**

(51) **LOC (14) Cl.** **15-01**

(52) **U.S. Cl.**
USPC **D15/5**

(58) **Field of Classification Search**
USPC D15/5; D23/233–237, 244–249
CPC F02F 3/00; F16K 3/08; F02B 37/16; F02B
37/18

See application file for complete search history.

(56) **References Cited**

U.S. PATENT DOCUMENTS

D527,740 S * 9/2006 Ingwersen D15/5
D645,883 S * 9/2011 Azevedo D15/5
8,028,755 B2 10/2011 Darnell et al.
D737,861 S * 9/2015 He D15/5
D808,434 S 1/2018 Van Lant et al.
D897,373 S * 9/2020 Li D15/5

OTHER PUBLICATIONS

BOV KompactEM F150, https://www.turbosmart.com/fl50_vee_port_em/.
Ford Ecoboost V6 Blow Off Valve Adapter [Bova] V3, <http://www.boombaracing.com/ford-ecoboost-v6-blow-off-valve-adapter-bova-v3/>.

* cited by examiner

Primary Examiner — Gino Colan

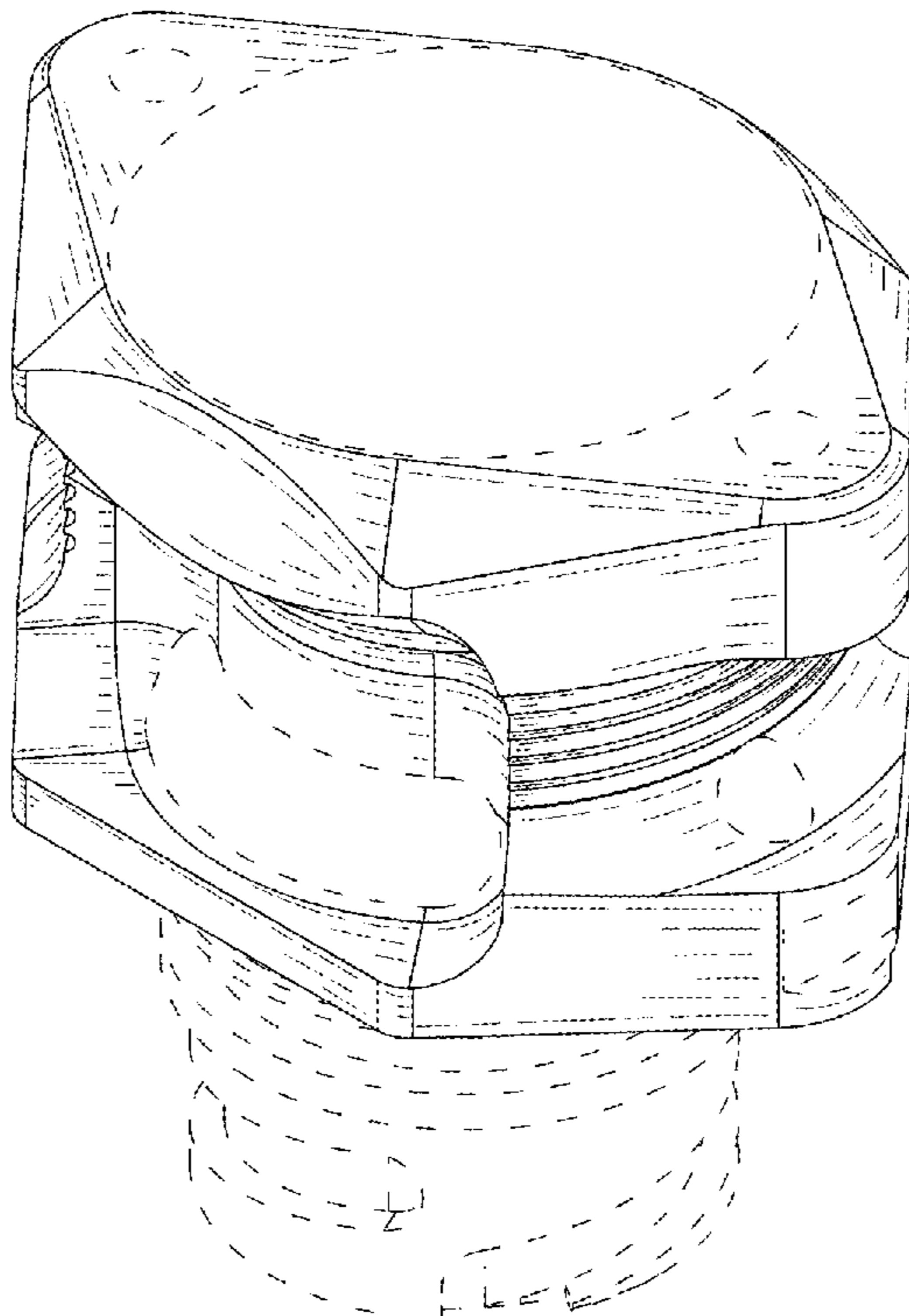
(57) **CLAIM**

The ornamental design for a blow-off valve body, as shown and described.

DESCRIPTION

FIG. 1 is a top-front-left perspective view of a blow-off valve body showing my new design; FIG. 2 is a bottom-rear-right perspective view thereof; FIG. 3 is a front elevational view thereof; FIG. 4 is a rear elevational view thereof; FIG. 5 is a left-side elevational view thereof; FIG. 6 is a right-side elevational view thereof; FIG. 7 is a top plan view thereof; and, FIG. 8 is a bottom plan view thereof. The broken line showing vent apertures and an internal cavity in FIGS. 1 through 4; the mounting lug in FIGS. 1, 2, 3, 4, 5, 6, and 8; the lateral notches in FIGS. 1 through 6; and the fastener perforations in FIGS. 1, 2, 5, 6, 7, and 8 is included for the purpose of illustrating environmental structure and forms no part of the claimed design.

1 Claim, 8 Drawing Sheets



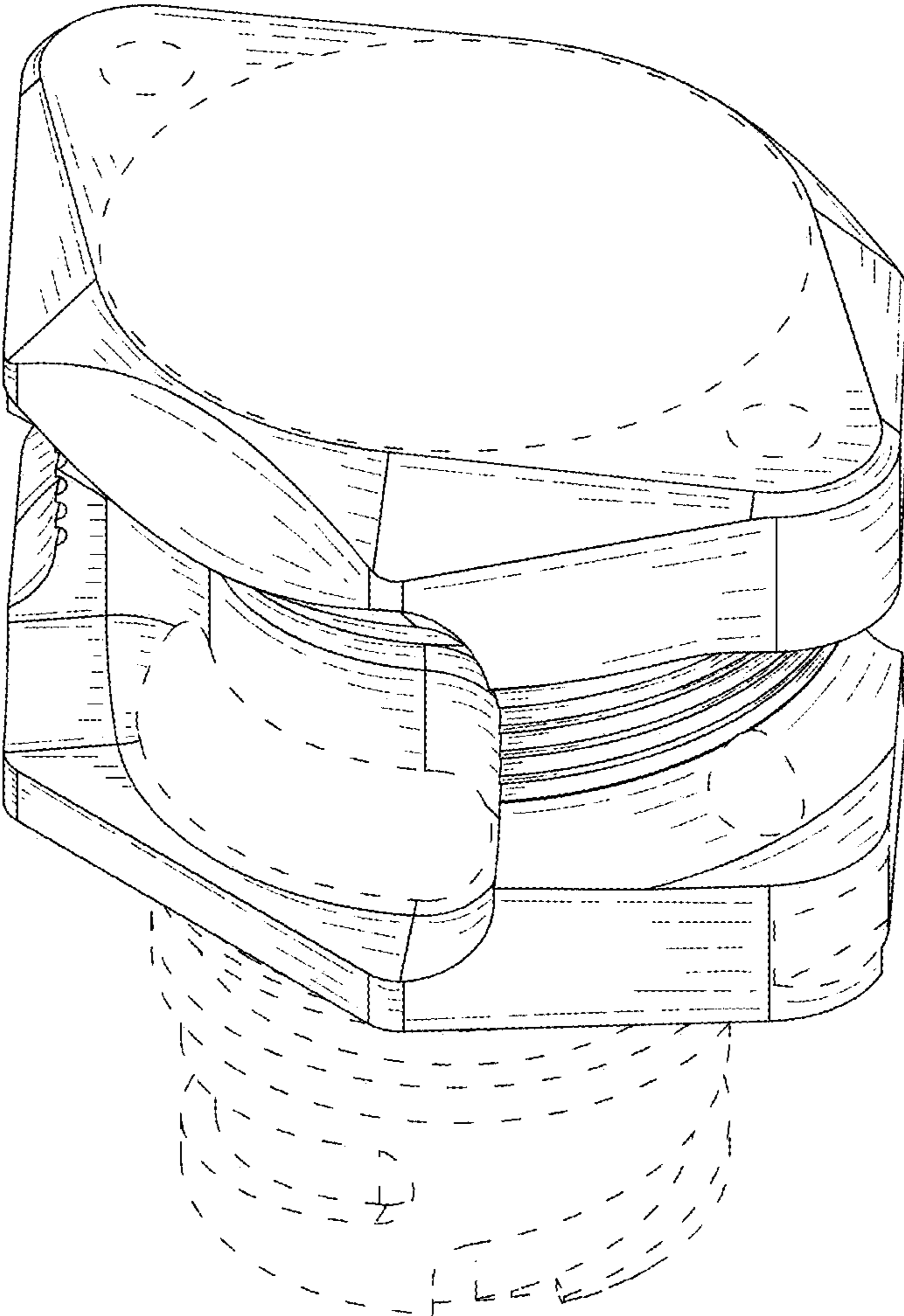


FIG. 1

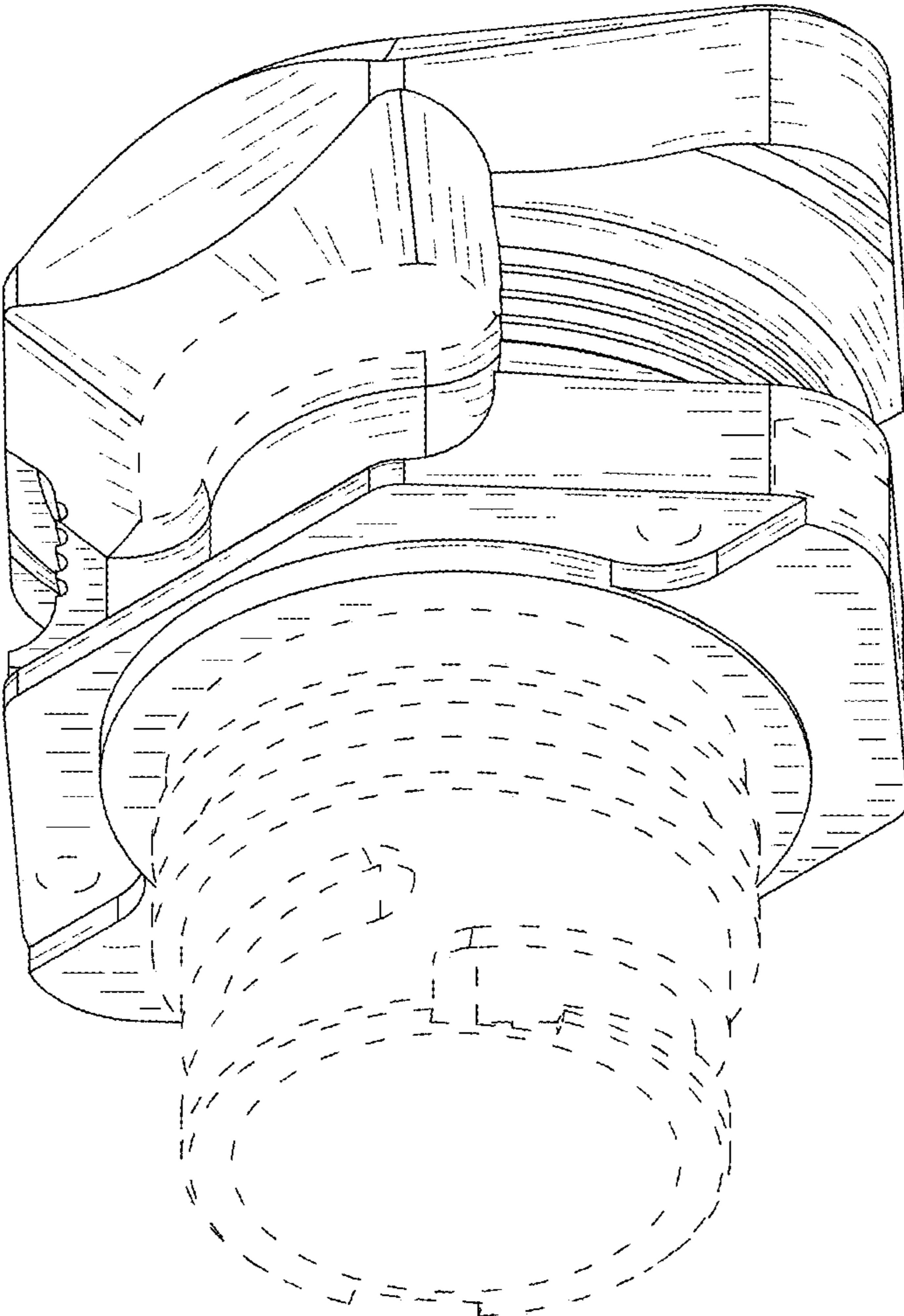


FIG. 2

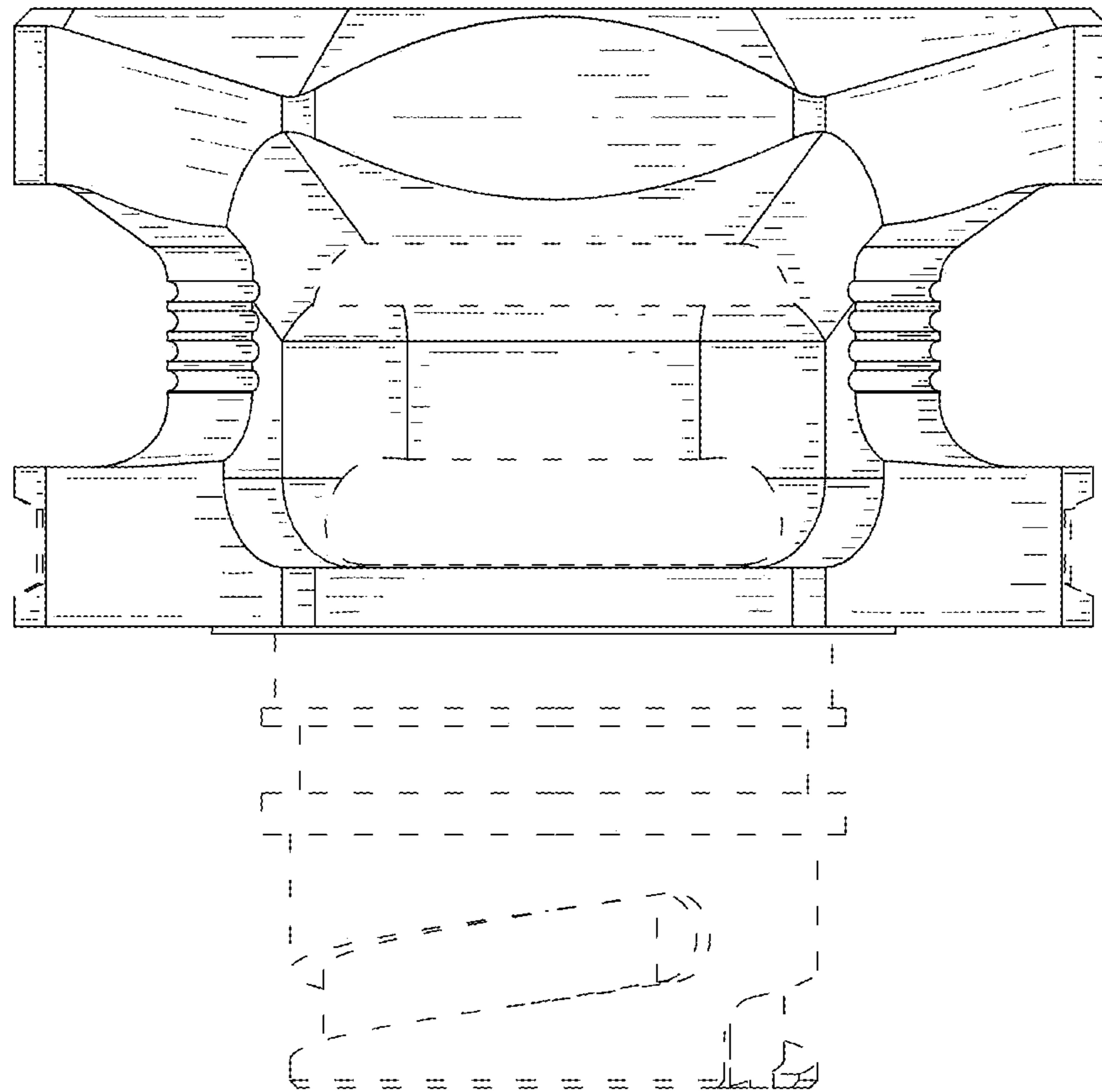


FIG. 3

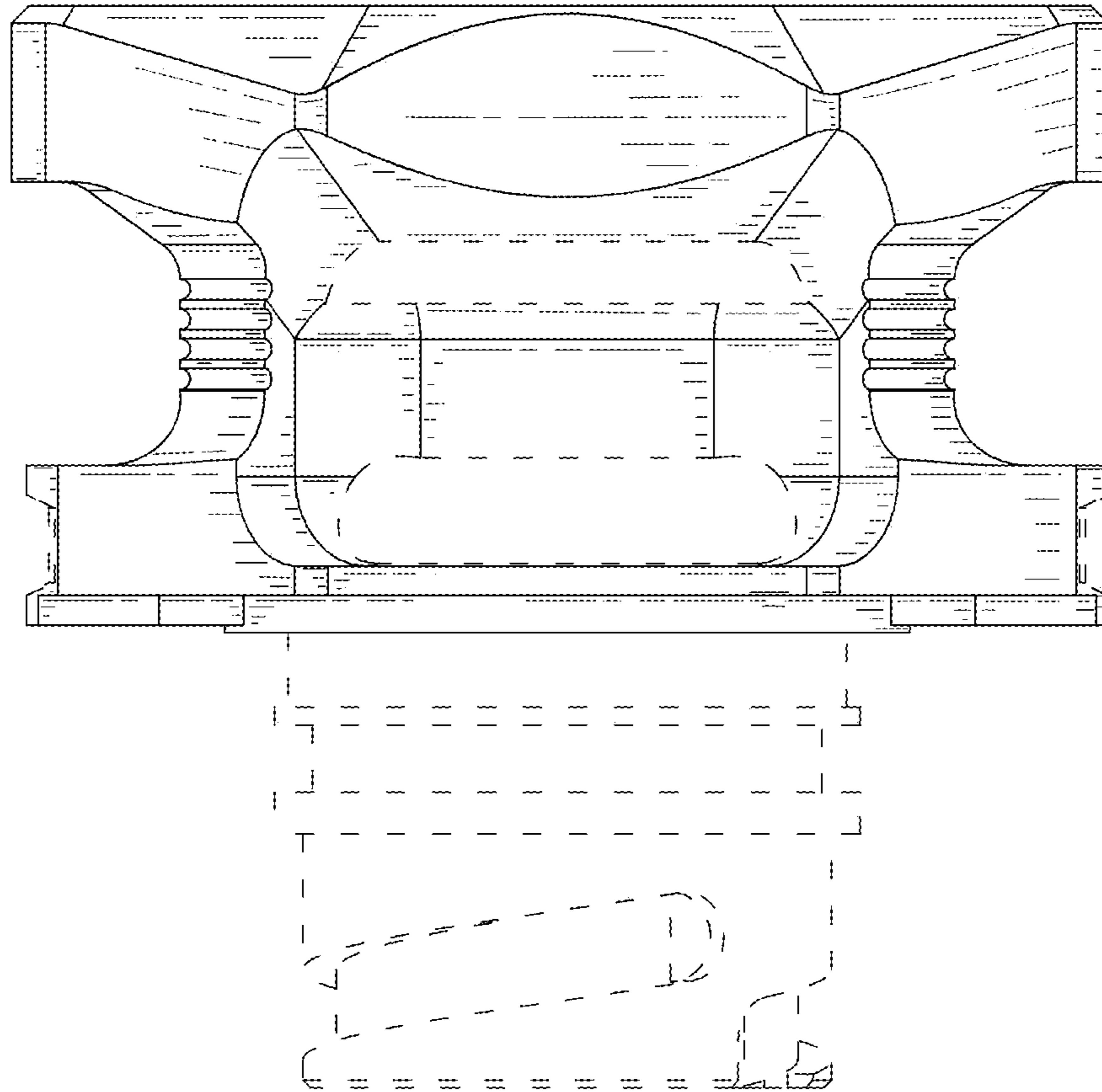


FIG. 4

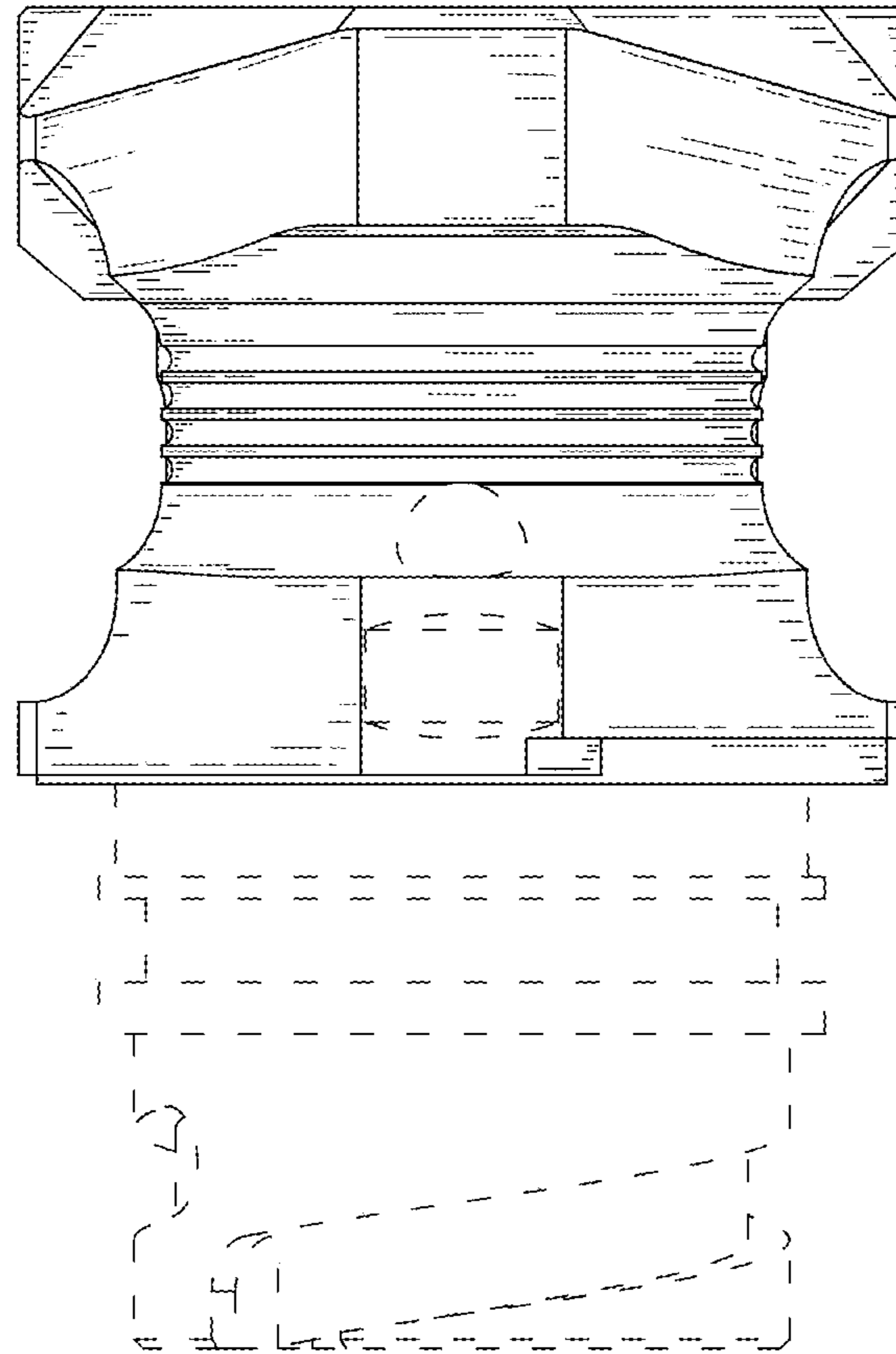


FIG. 5

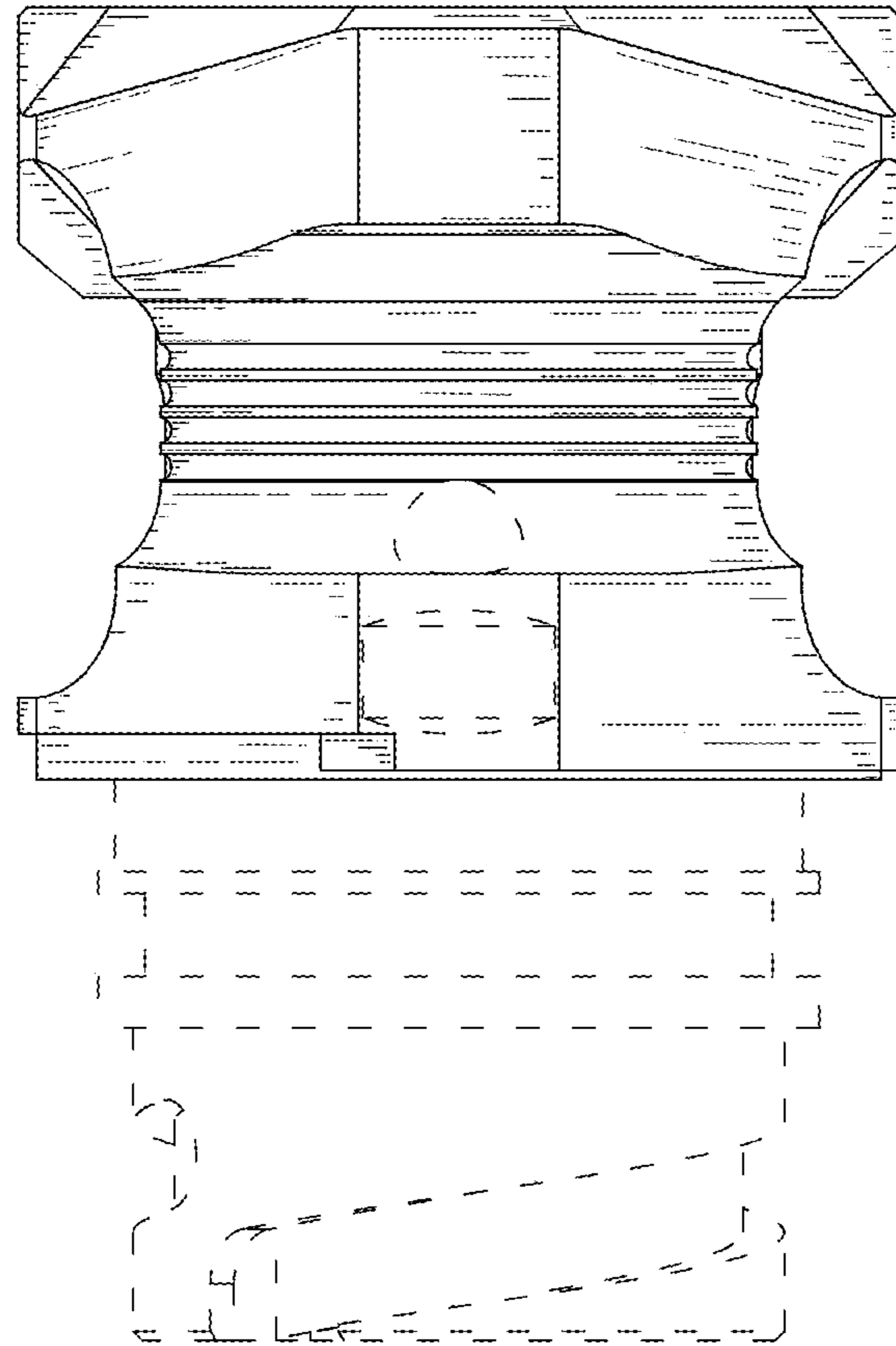


FIG. 6

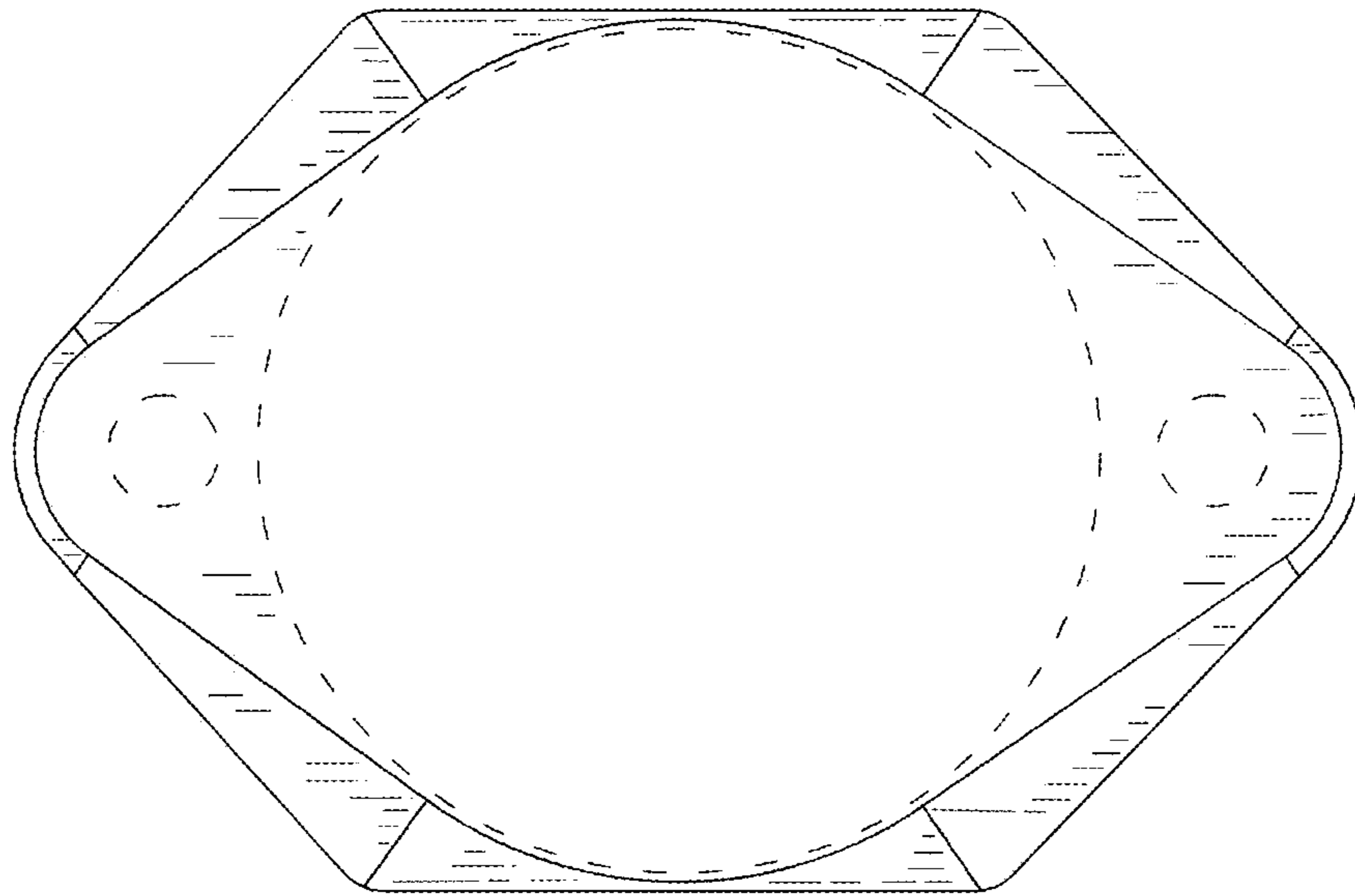


FIG. 7

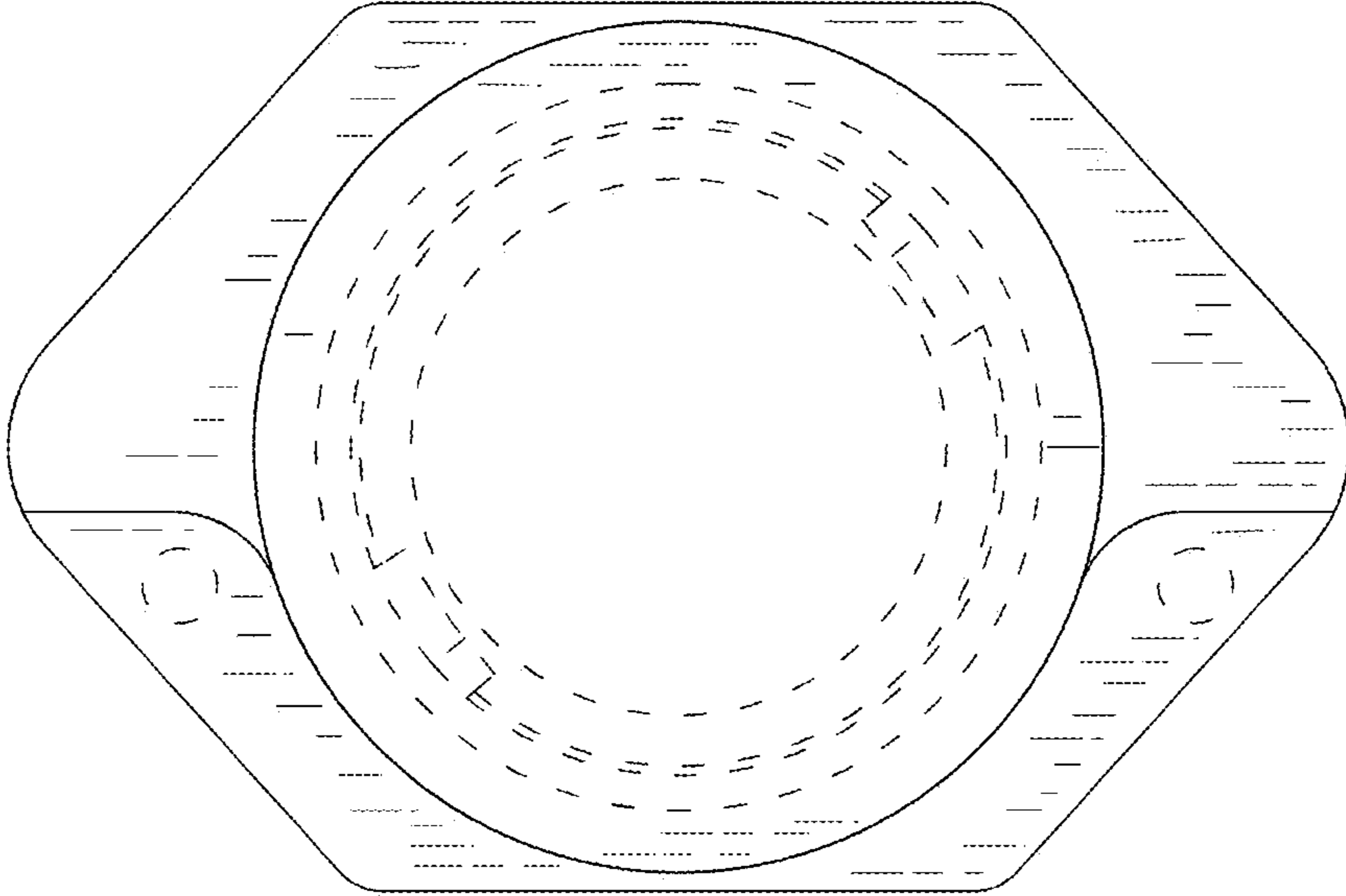


FIG. 8