



US0D1016058S

(12) **United States Design Patent** (10) **Patent No.:** **US D1,016,058 S**  
**Kim et al.** (45) **Date of Patent:** **\*\* Feb. 27, 2024**

(54) **LAPTOP COMPUTER**

(71) Applicant: **LG Electronics Inc.**, Seoul (KR)

(72) Inventors: **Sungjoo Kim**, Seoul (KR); **Daihyung Ryu**, Seoul (KR)

(73) Assignee: **LG ELECTRONICS INC.**, Seoul (KR)

(\*\*) Term: **15 Years**

(21) Appl. No.: **35/515,119**

(22) Filed: **Aug. 9, 2022**

(80) **Hague Agreement Data**

Int. Filing Date: **Aug. 9, 2022**

Int. Reg. No.: **DM/223296**

Int. Reg. Date: **Aug. 9, 2022**

Int. Reg. Pub. Date: **Sep. 16, 2022**

(30) **Foreign Application Priority Data**

Feb. 21, 2022 (KR) ..... 30-2022-0007062

(51) **LOC (14) Cl.** ..... **14-02**

(52) **U.S. Cl.**  
USPC ..... **D14/327; D14/315**

(58) **Field of Classification Search**

USPC ..... D14/315-327, 333, 334, 335, 338-340,  
D14/388, 390, 391, 392, 396, 399, 454,  
D14/455, 203.1, 203.7, 331, 439, 440,  
D14/443, 447, 389

CPC ..... G06F 1/16; G06F 1/1601; G06F 1/1605;  
G06F 1/1607; G06F 1/1613; G06F  
1/1616; G06F 1/1618; G06F 1/162; G06F  
1/1622; G06F 1/1624; G06F 1/1626;  
G06F 1/1628; G06F 1/1633; G06F  
1/1637; G06F 1/1641; G06F 1/1643;  
G06F 1/1647; G06F 1/1649; G06F 1/165;  
G06F 1/1652; G06F 1/1654;

(Continued)

(56) **References Cited**

U.S. PATENT DOCUMENTS

D678,872 S \* 3/2013 Lee ..... D14/315

D931,274 S \* 9/2021 Hwang ..... D14/315

(Continued)

OTHER PUBLICATIONS

Acer Swift 3. Acer, amazon.com (online) 5 pages. Posted Jan. 6, 2018. [Retrieved Jun. 9, 2023] <https://a.co/d/hGBJ74G> (Year: 2018).\*

(Continued)

*Primary Examiner* — Rebekah A Caruso

*Assistant Examiner* — Cole Sanders Holman

(74) *Attorney, Agent, or Firm* — Birch, Stewart, Kolasch & Birch, LLP

(57) **CLAIM**

The ornamental design for a laptop computer, as shown and described.

**DESCRIPTION**

1. Laptop computer

**1.1** is a perspective view of a laptop computer in a closed state;

**1.2** is a front view thereof;

**1.3** is a back view thereof;

**1.4** is a left view thereof;

**1.5** is a right view thereof;

**1.6** is a top view thereof;

**1.7** is a bottom view thereof;

**1.8** is a perspective view of the laptop computer in an open state;

**1.9** is a front view thereof;

**1.10** is a back view thereof;

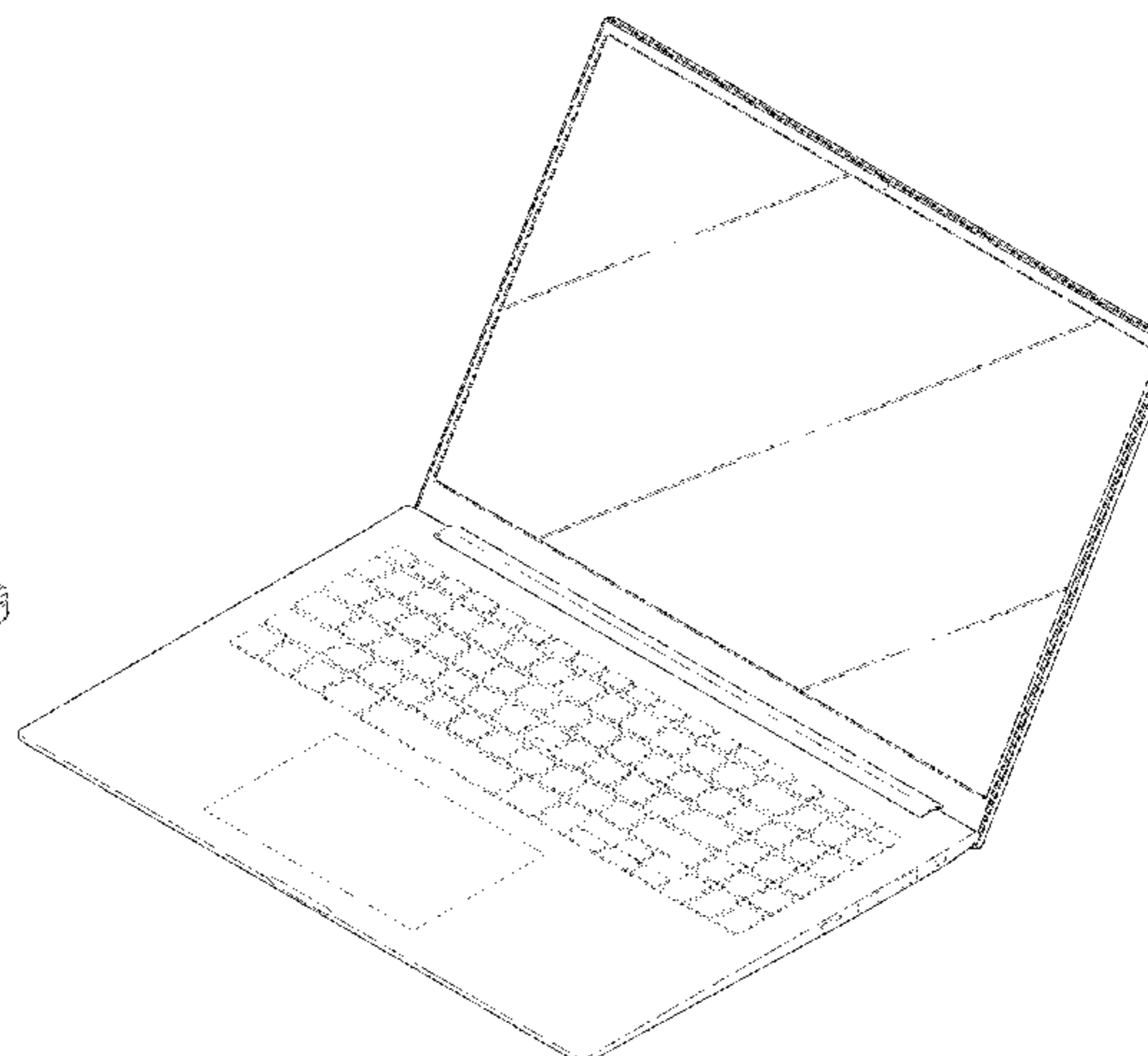
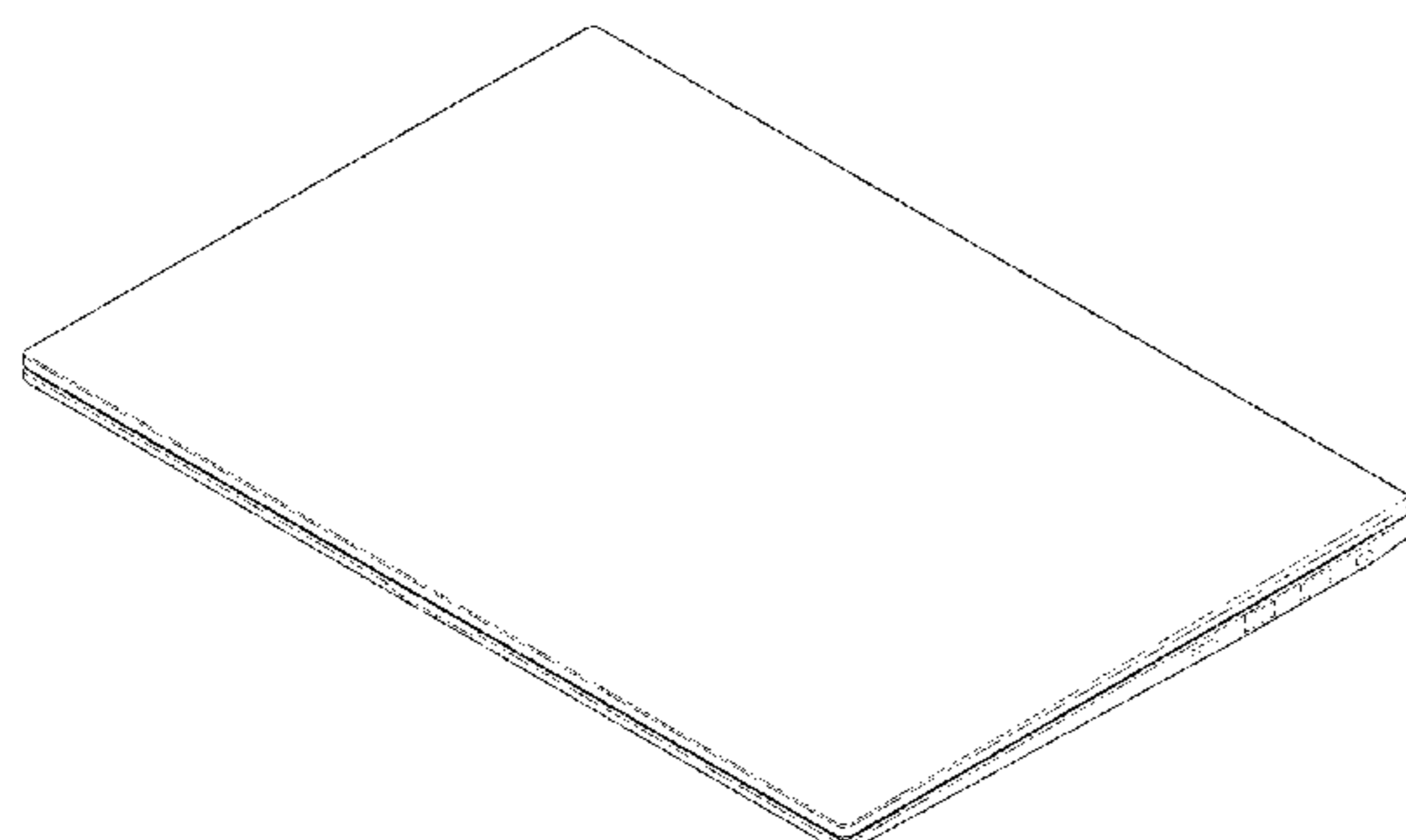
**1.11** is a left view thereof;

**1.12** is a right view thereof;

**1.13** is a top view thereof; and

**1.14** is a bottom view thereof.

(Continued)



The broken lines depict portions of the laptop computer that form no part of the claimed design.

(56)

**References Cited**

**1 Claim, 14 Drawing Sheets**

U.S. PATENT DOCUMENTS

(58) **Field of Classification Search**

CPC .... G06F 1/1656; G06F 1/1662; G06F 1/1664;  
G06F 1/1666; G06F 1/1667; G06F  
1/1669; G06F 1/1671; G06F 1/1675;  
G06F 1/1681; G06F 1/1686; G06F  
1/1688; G06F 1/169; G06F 1/1692; G06F  
1/181; H05K 5/0017; H05K 5/03; H05K  
5/0052; H05K 5/0069; H05K 5/0217;  
H05K 5/0239; H05K 5/0249; H05K  
5/0247; H05K 5/003; H04M 1/0202;  
H04M 1/021; H04M 1/0212; H04M  
1/0279; H04M 1/0281; H04M 1/0283;  
H04B 1/3888

See application file for complete search history.

D969,125 S \* 11/2022 Kim ..... D14/327  
D969,797 S \* 11/2022 Lee ..... D14/315  
D969,800 S \* 11/2022 Lee ..... D14/327  
D969,801 S \* 11/2022 Lee ..... D14/327  
2020/0174530 A1\* 6/2020 Wu ..... G06F 1/1686

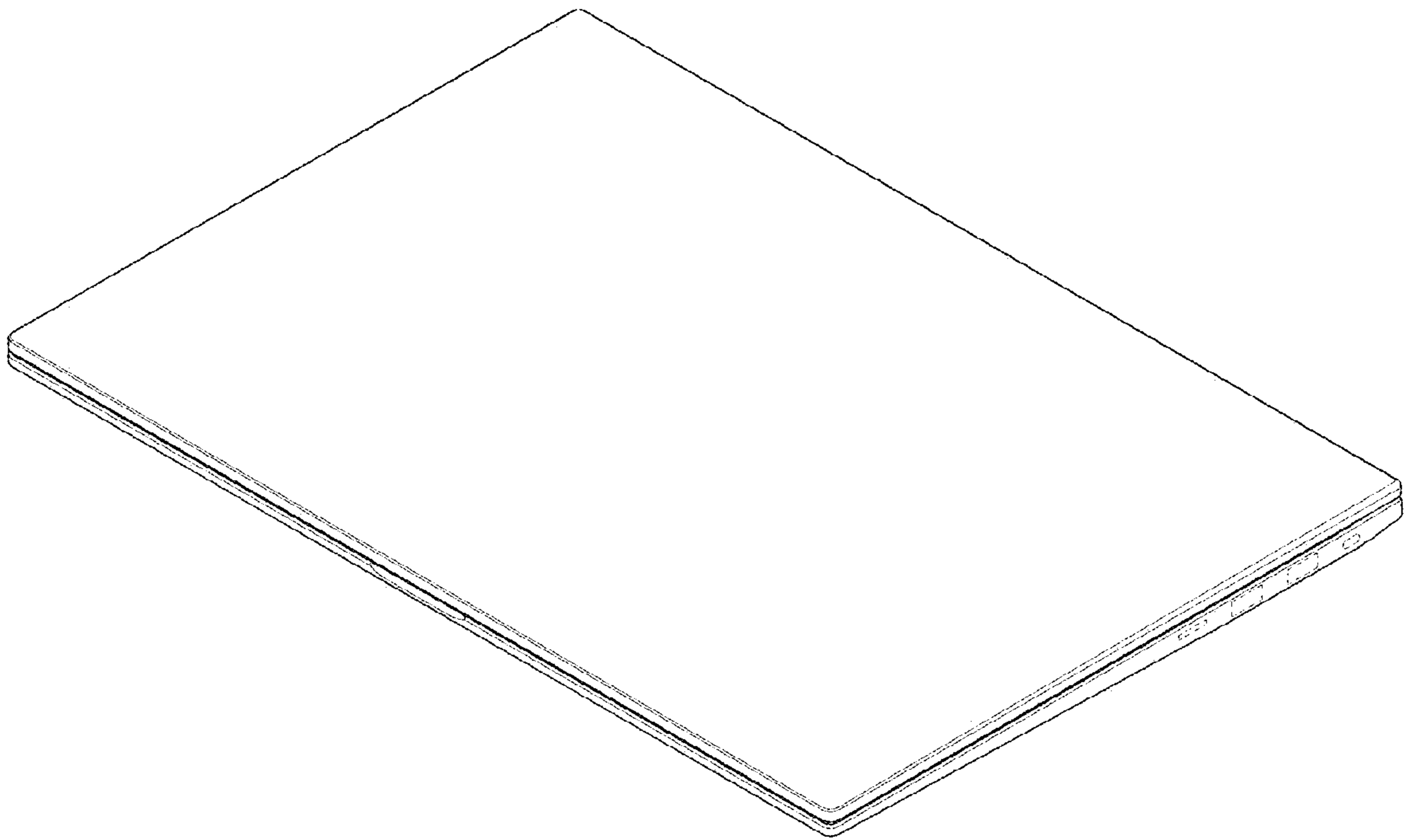
OTHER PUBLICATIONS

Lenovo Ideapad. Lenovo, amazon.com (online) 5 pages. Posted Jun. 7, 2023. [Retrieved Jun. 9, 2023] <https://a.co/d/cp0F3xM> (Year: 2023).\*

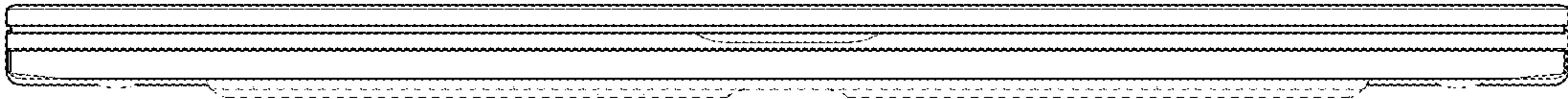
LG Gram Notebook. LG, amazon.com (online) 7 pages. Posted May 19, 2021. [Retrieved Jun. 9, 2023] <https://a.co/d/aWmUlv8> (Year: 2021).\*

\* cited by examiner

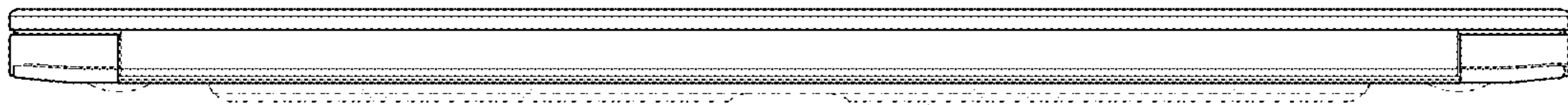
1.1



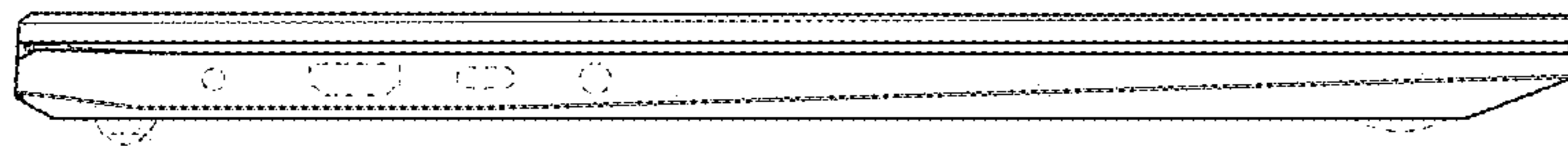
1.2



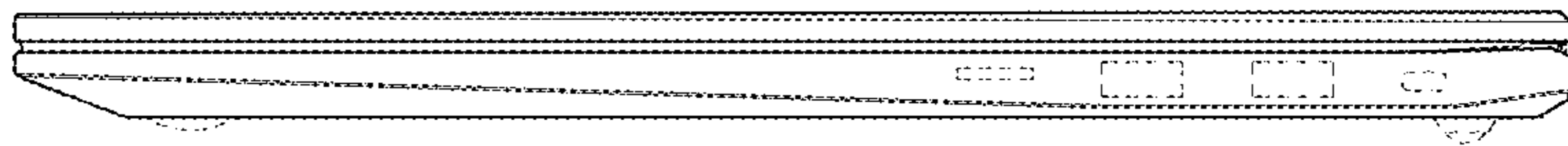
1.3



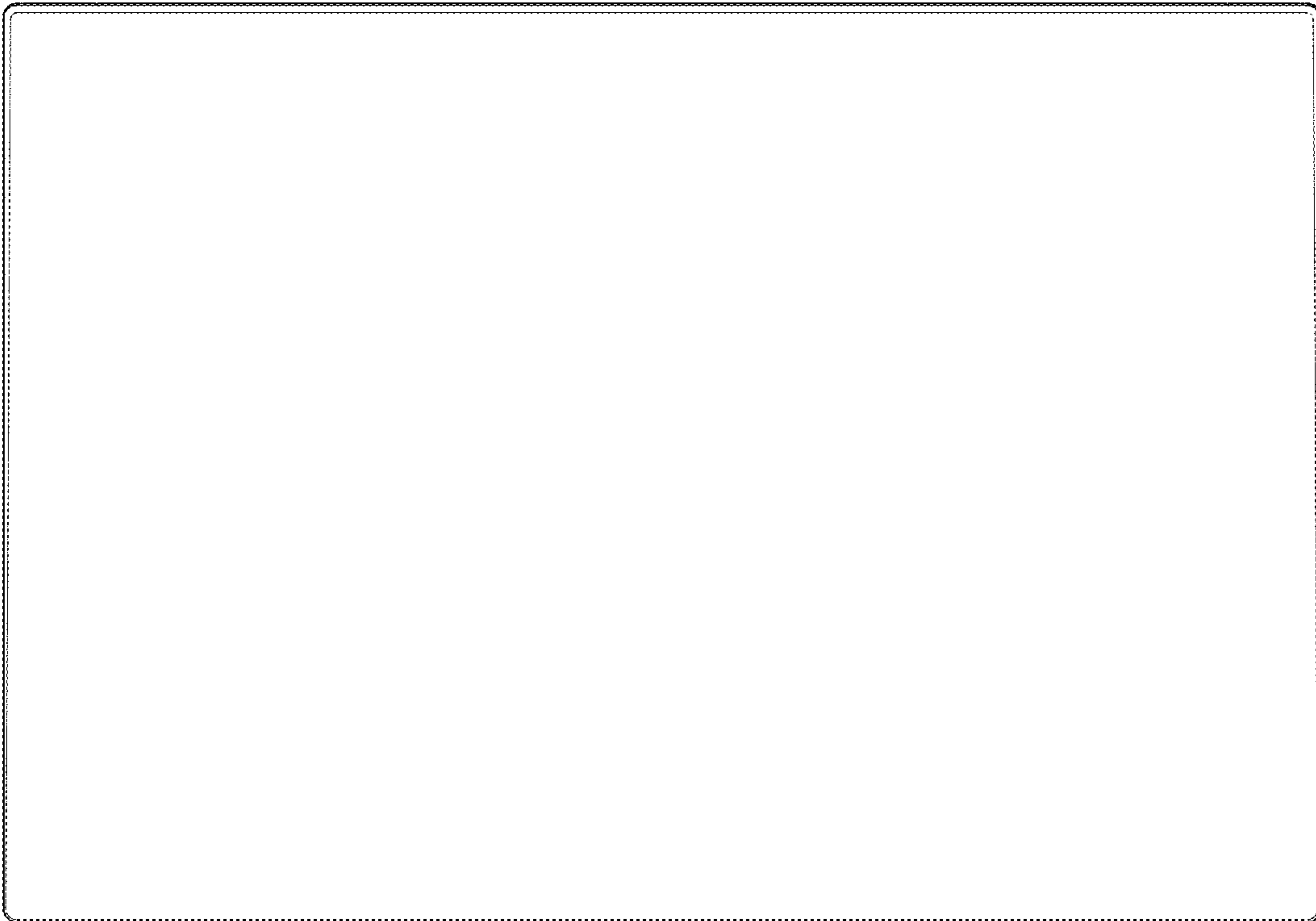
1.4



1.5

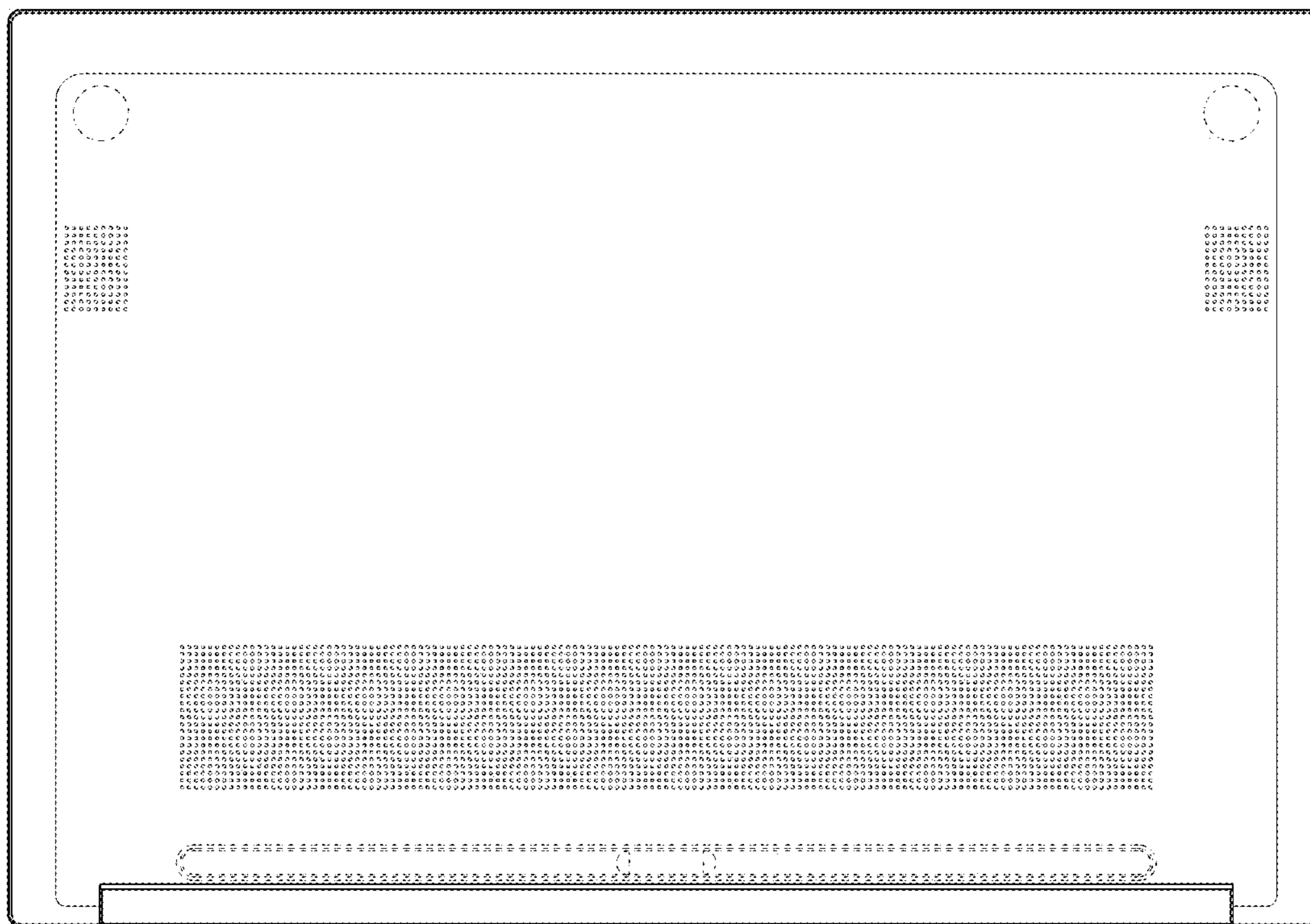


1.6

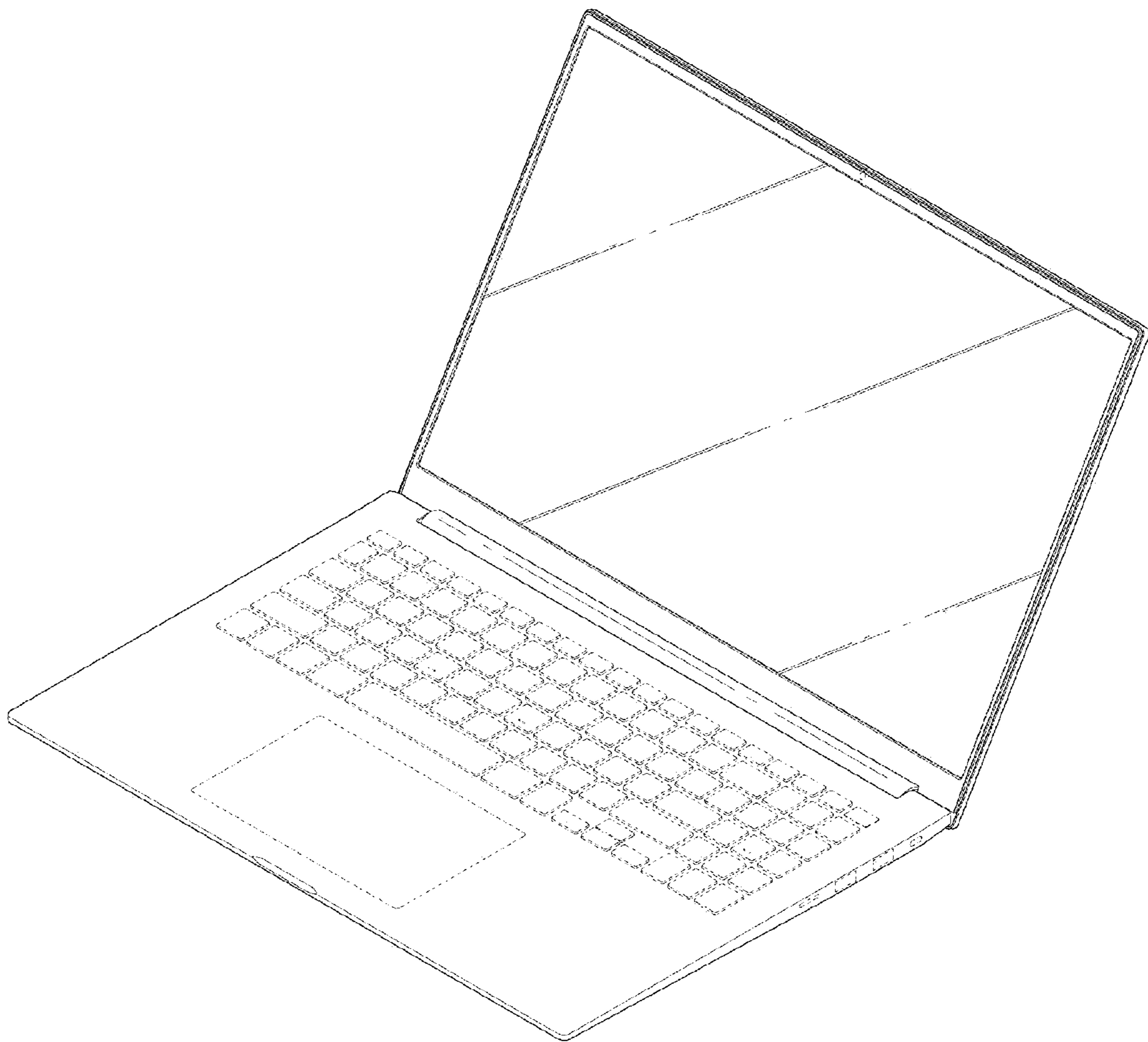




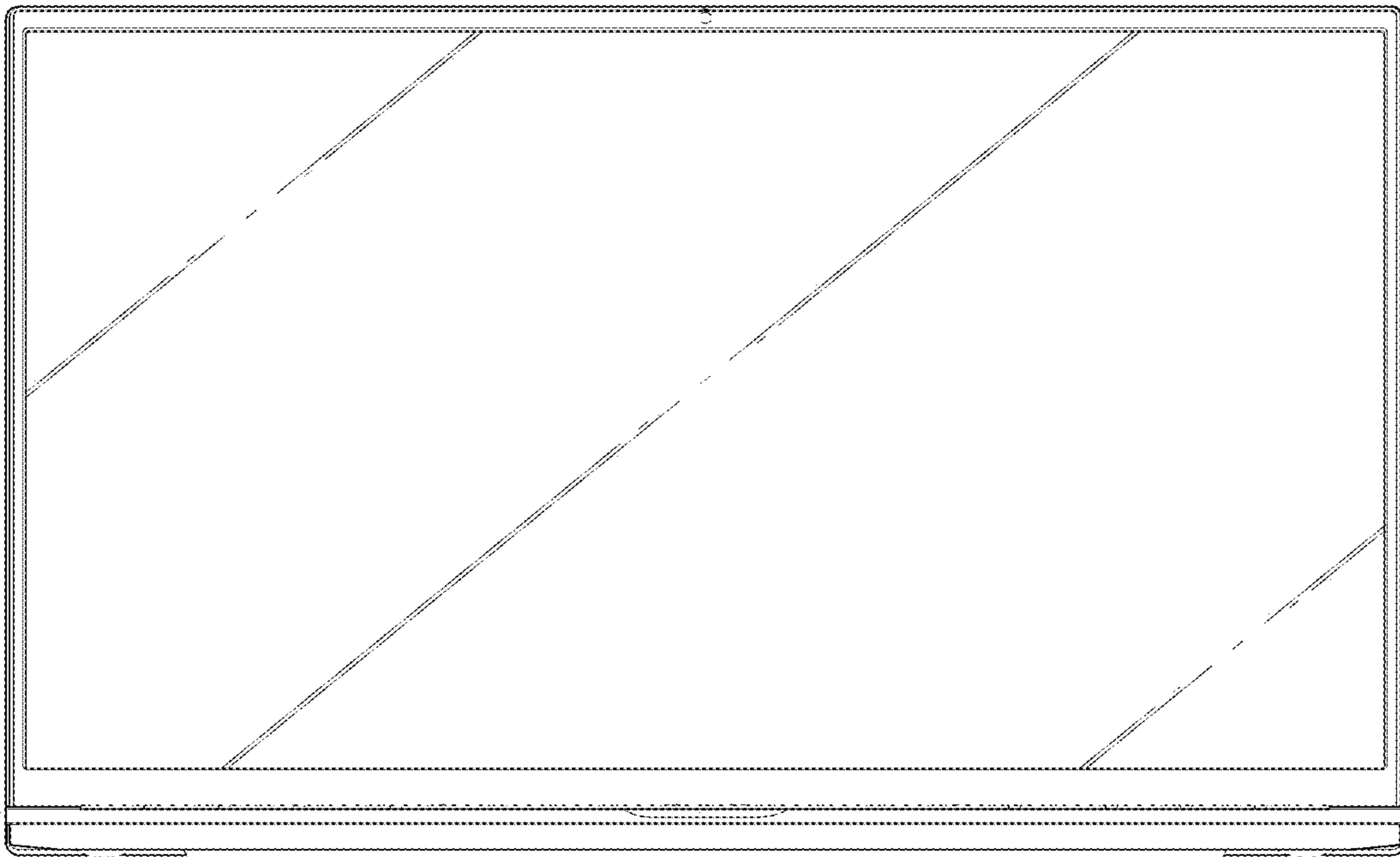
1.7



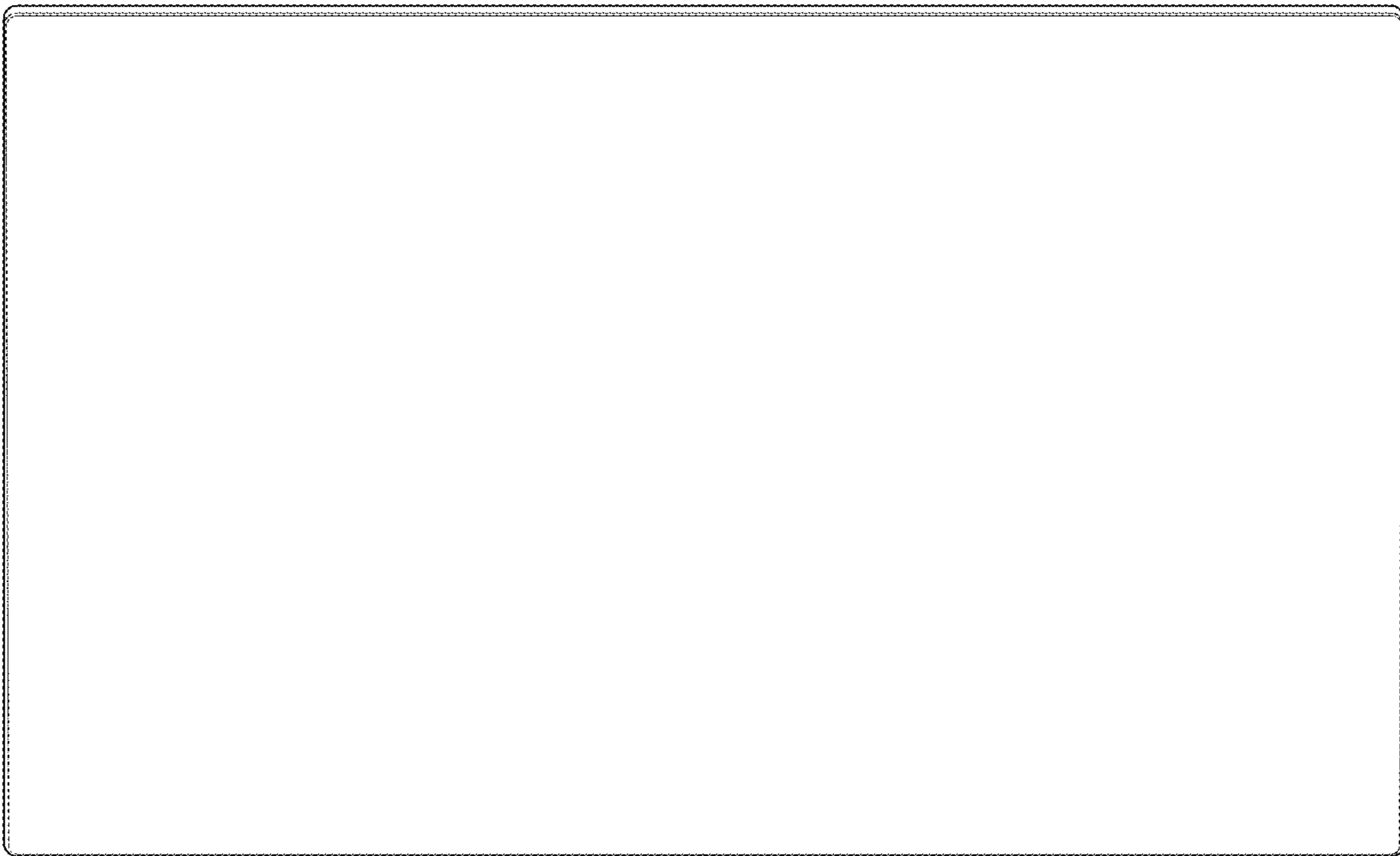
1.8



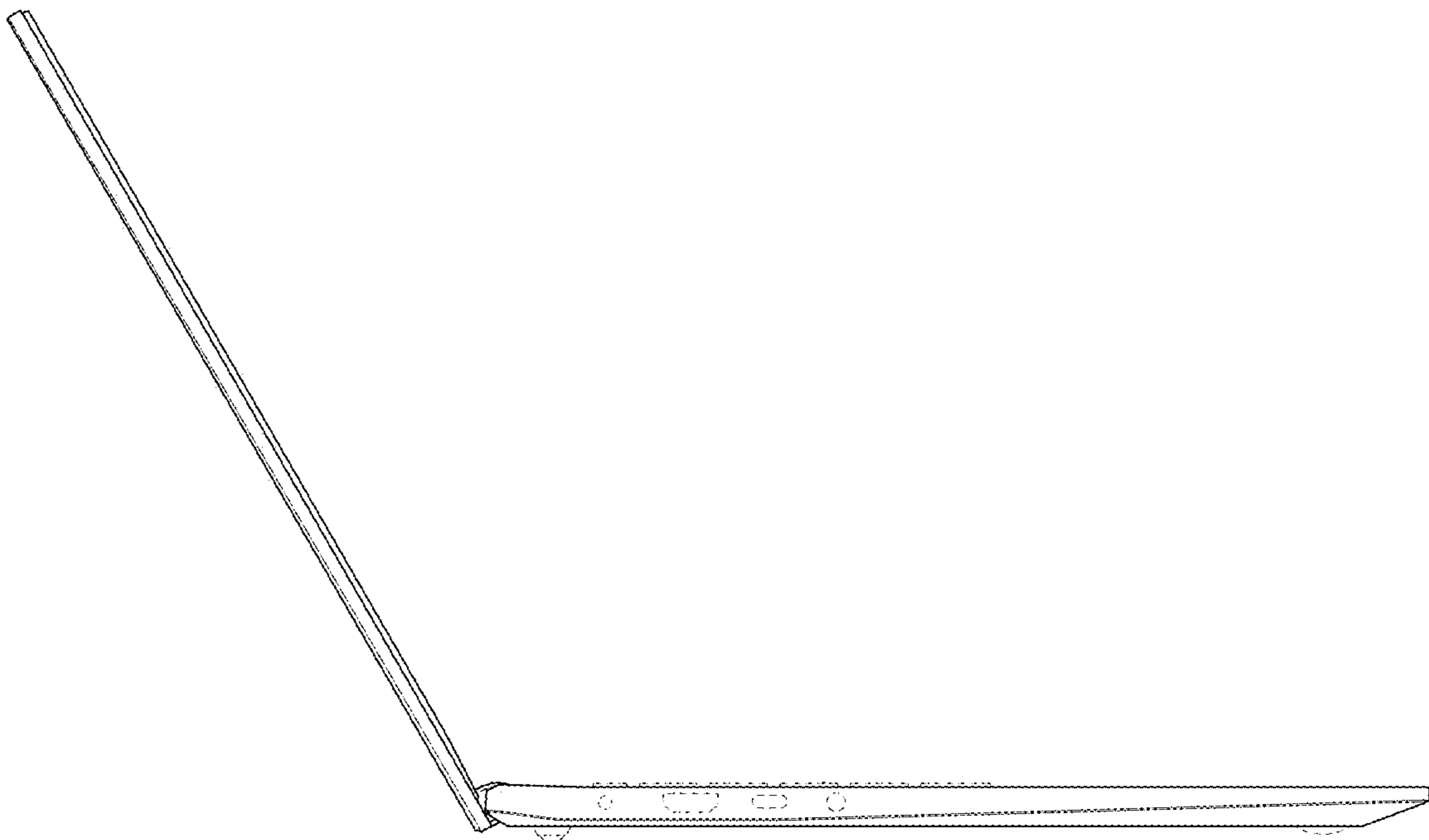
1.9



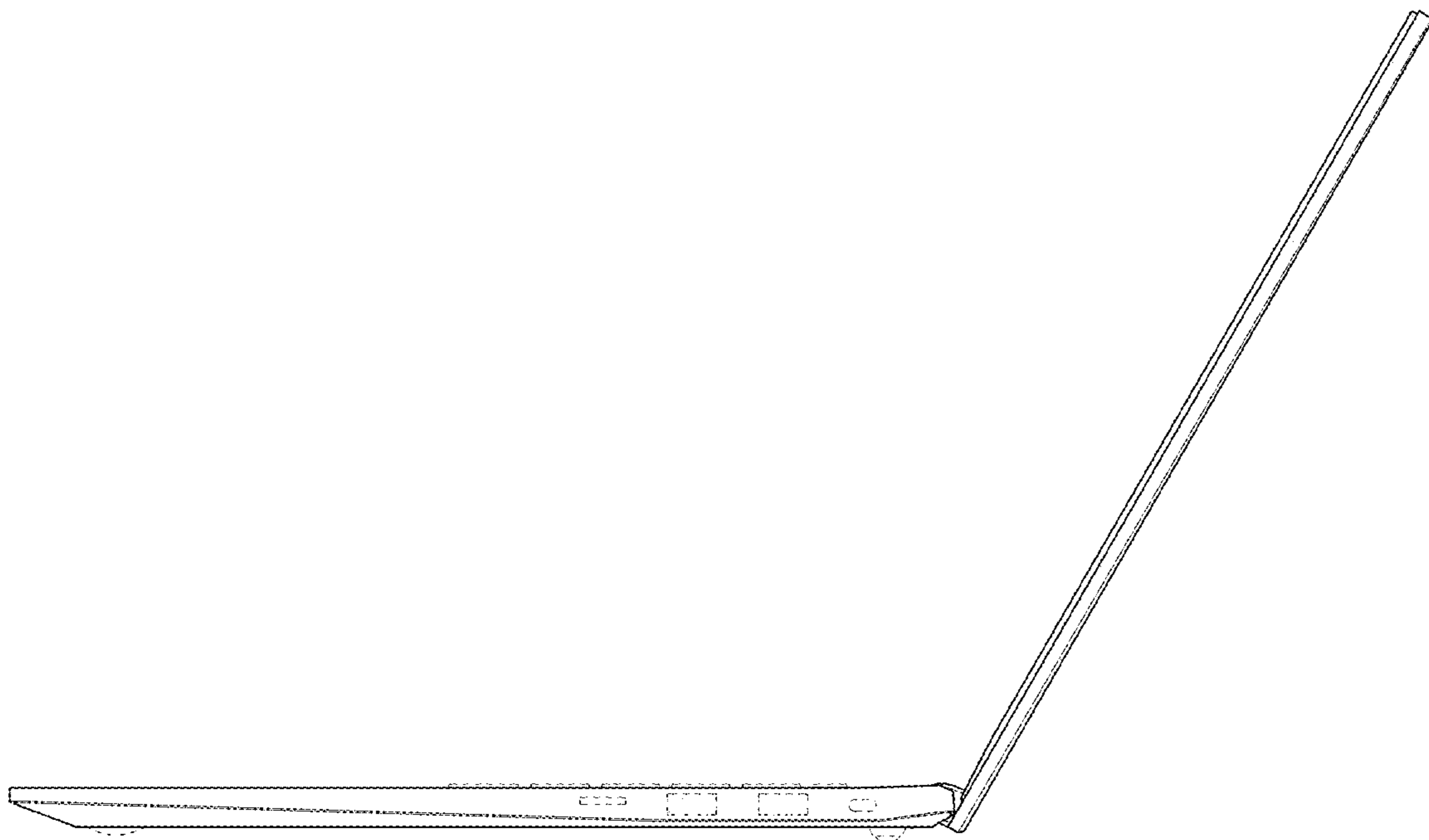
1.10



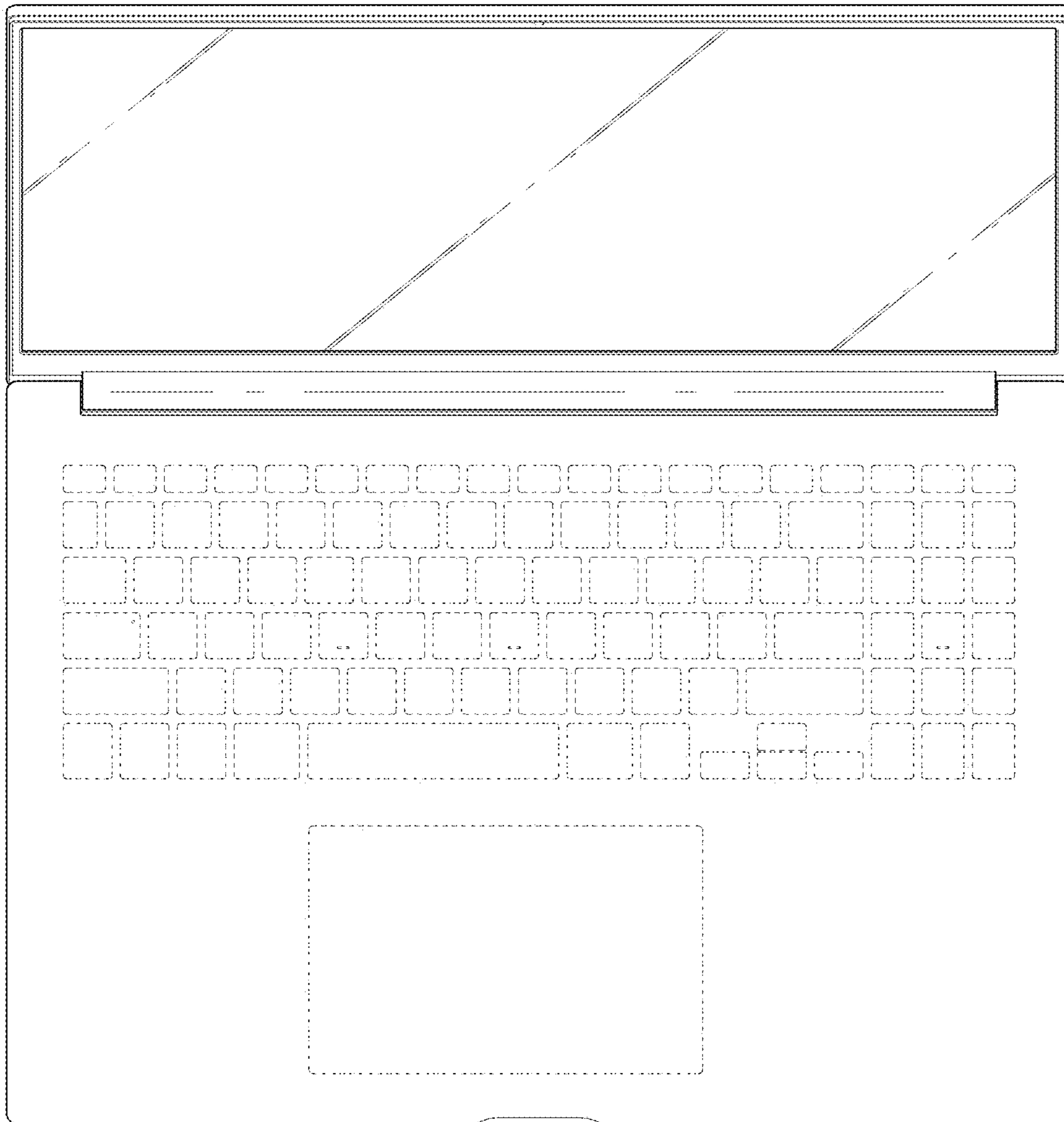
1.11



1.12



1.13



1.14

