



US0D1016009S

(12) **United States Design Patent** (10) **Patent No.:** **US D1,016,009 S**
Mehra et al. (45) **Date of Patent:** **** Feb. 27, 2024**

- (54) **CHARGING STATION**
- (71) Applicant: **HUSQVARNA AB**, Huskvarna (SE)
- (72) Inventors: **Rajinder Mehra**, Johanneshov (SE); **Malin Andersson**, Huddinge (SE); **Tor Sigurdson**, Stockholm (SE)
- (73) Assignee: **HUSQVARNA**, Huskvarna (SE)
- (**) Term: **15 Years**

D776,054 S * 1/2017 Cmich D15/17
 D782,975 S 4/2017 Chen
 D788,031 S * 5/2017 Holzer D13/107
 (Continued)

FOREIGN PATENT DOCUMENTS

CN 306308341 * 2/2021
 EM 015008434-0001 * 2/2023
 (Continued)

OTHER PUBLICATIONS

“590094001 Husqvarna Base Assy Charging Station OEM”, first accessed Apr. 26, 2023. HusqvParts.com [https://www.husqvparts.com/590094001-Husqvarna-Base-Assy-Charging-Station-OEM/] (Year: 2023).*

(Continued)

Primary Examiner — Rosemary K Tarcza
Assistant Examiner — Seth David Kumpf
 (74) *Attorney, Agent, or Firm* — Burr & Forman LLP

- (21) Appl. No.: **29/814,961**
- (22) Filed: **Nov. 10, 2021**
- (51) **LOC (14) Cl.** **13-02**
- (52) **U.S. Cl.**
USPC **D13/108**
- (58) **Field of Classification Search**
USPC D13/103, 107, 108, 110, 102, 112, 118, D13/122, 184
CPC B60L 53/10; B60L 53/16; B60L 53/18; H02J 7/00; H02J 7/02; H02J 7/025; H02J 7/0013; H02J 7/0042; H02J 7/0044; H02J 7/0045; H02J 50/005; H02J 50/10; H05K 5/02; H05K 5/0217; H05K 5/0247; A47L 9/28; A47L 9/30

See application file for complete search history.

(56) **References Cited**

U.S. PATENT DOCUMENTS

D446,497 S * 8/2001 Yu D13/103
 D510,066 S * 9/2005 Hickey D13/108
 D639,735 S 6/2011 Lee et al.
 D691,553 S 10/2013 Deoksang et al.
 D704,628 S * 5/2014 Tajik D13/108
 D712,827 S * 9/2014 Maeda D13/108
 D760,649 S * 7/2016 Cmich D15/17
 D775,071 S * 12/2016 Hong H02J 7/342
 D13/108

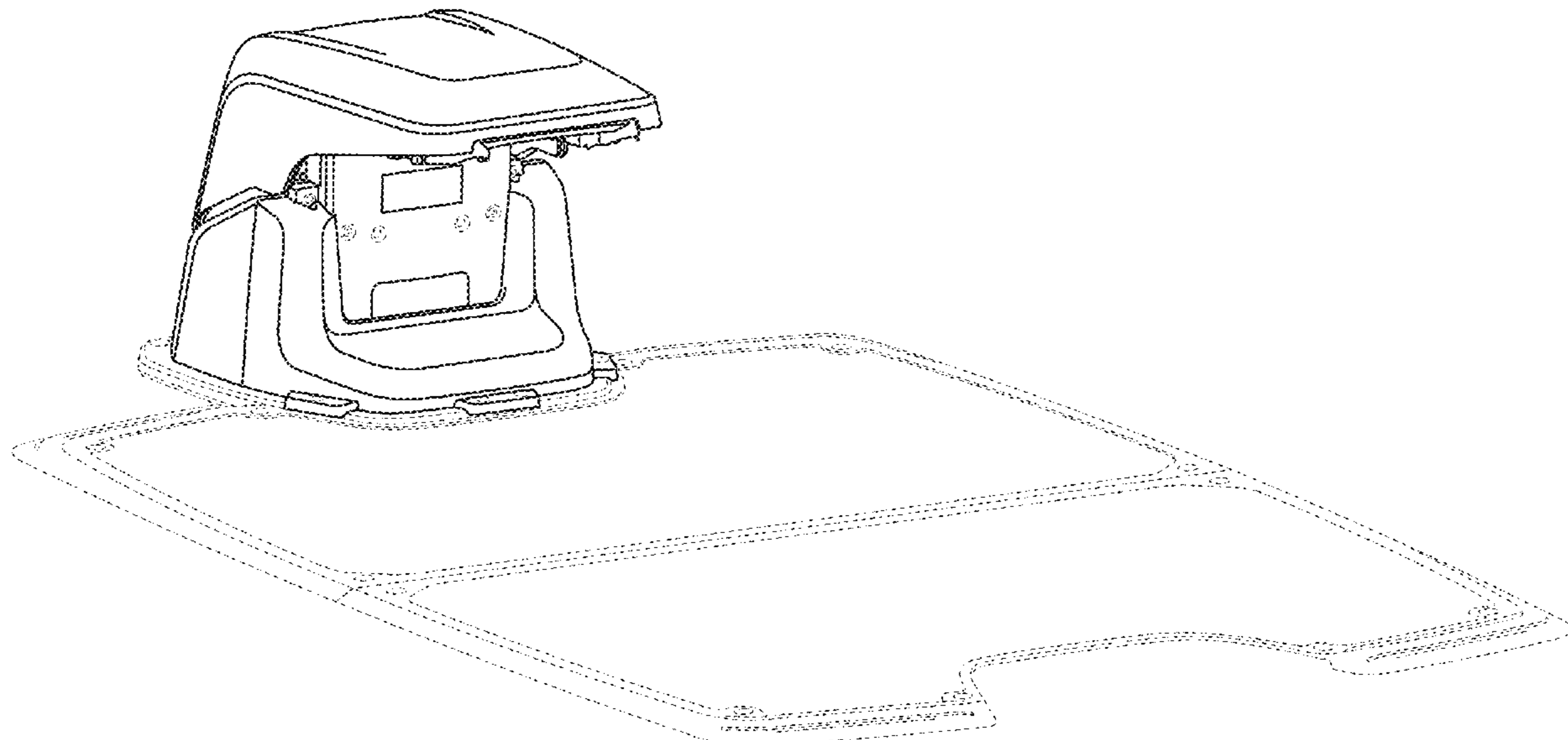
(57) **CLAIM**

The ornamental design for a charging station, as shown and described.

DESCRIPTION

FIG. 1 is a perspective view of a charging station of the present invention;
 FIG. 2 is a front view of the charging station of FIG. 1;
 FIG. 3 is a rear view of the charging station of FIG. 1;
 FIG. 4 is a left side view of the charging station of FIG. 1;
 FIG. 5 is a right side view of the charging station of FIG. 1;
 FIG. 6 is a top view of the charging station of FIG. 1; and
 FIG. 7 is a bottom view of the charging station of FIG. 1.
 The broken lines shown in the drawings illustrate portions of the charging station that form no part of the claimed design.

1 Claim, 7 Drawing Sheets



(56)

References Cited

U.S. PATENT DOCUMENTS

D804,414 S * 12/2017 Tang D13/108
 D818,433 S * 5/2018 Ebrahimi Afrouzi D13/108
 D821,973 S 7/2018 Maeda et al.
 D837,150 S 1/2019 Näslund et al.
 10,459,488 B1 10/2019 Cheng
 D906,236 S 12/2020 Tat et al.
 D908,083 S * 1/2021 Kuang D13/107
 D928,085 S * 8/2021 Li D13/108
 D946,519 S * 3/2022 Gao D13/108
 D969,429 S * 11/2022 Lee D32/30
 2012/0011677 A1 1/2012 Jung et al.
 2019/0059680 A1 2/2019 Fox et al.
 2020/0021122 A1 1/2020 Lydon et al.
 2021/0267426 A1* 9/2021 So G02B 5/10
 2022/0095875 A1 3/2022 Hu et al.
 2022/0161671 A1* 5/2022 Liu B60L 53/31

FOREIGN PATENT DOCUMENTS

RU 00134221 * 11/2022
 WO WOD210968-001 * 4/2022

OTHER PUBLICATIONS

“Husqvarna Charging Station P25 3-Guides OEM #595310102”, first accessed Apr. 26, 2023. SaffordEquipment.com [<https://saffordequipment.com/product/husqvarna-charging-station-p25-3-guides-oem-595310102/>] (Year: 2023).*

“Charging Station” first accessed Apr. 26, 2023. Husqvarna.com [<https://www.husqvarna.com/us/maintenance-tools/charging-station/>] (Year: 2023).*

“Husqvarna Charging Station Ceora CS4”, Retrieved from https://tineye.com/search/5c71d5588731eb15e4a1a4faf22b0a38fb97546f?sort=crawl_date&order=asc&page=1., Reference dated Dec. 9, 2022.

“AutoMower”, Retrieved from <https://www.youtube.com/watch?v=5mt6k21eQ6U>, Reference dated Sep. 2, 2015.

“Husqvarna Automower Charging Station”, Retrieved from <https://www.youtube.com/watch?v=a0vBYiByTsg>, Reference dated Apr. 10, 2020.

* cited by examiner

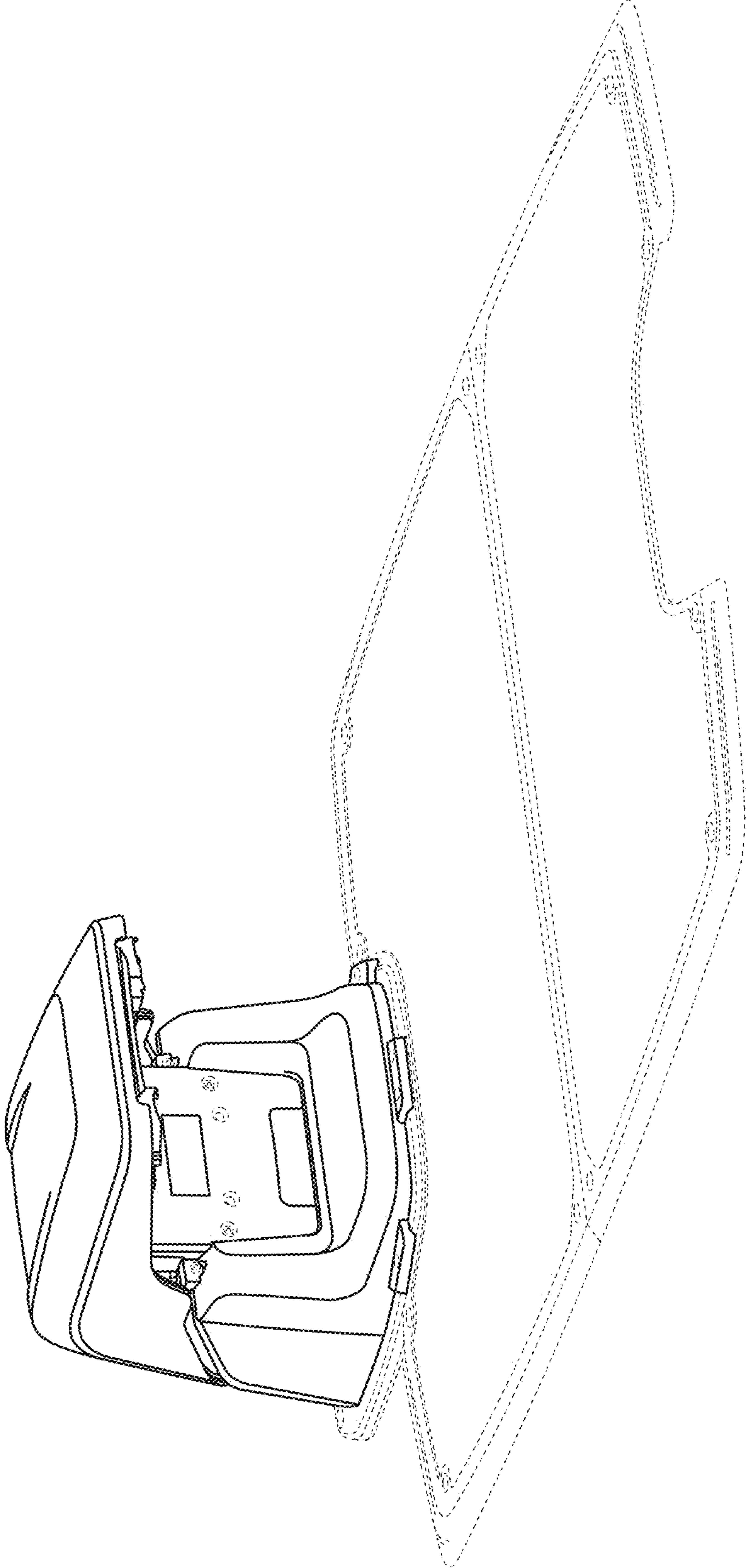


FIG. 1

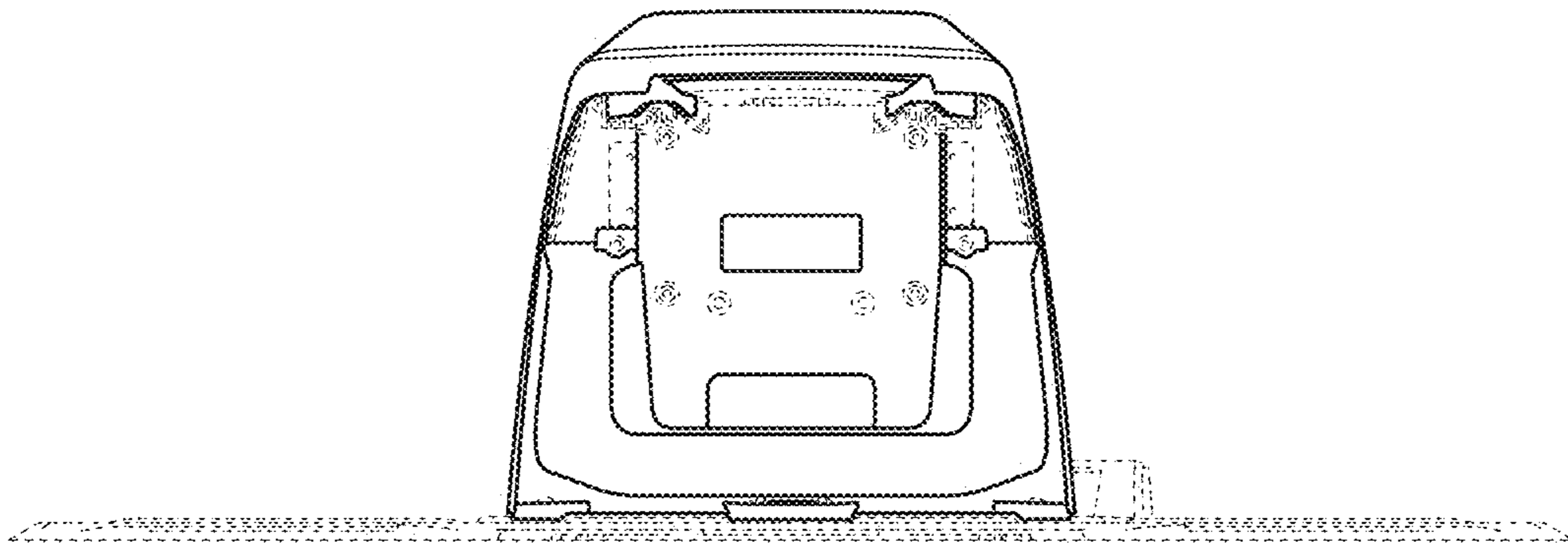


FIG. 2

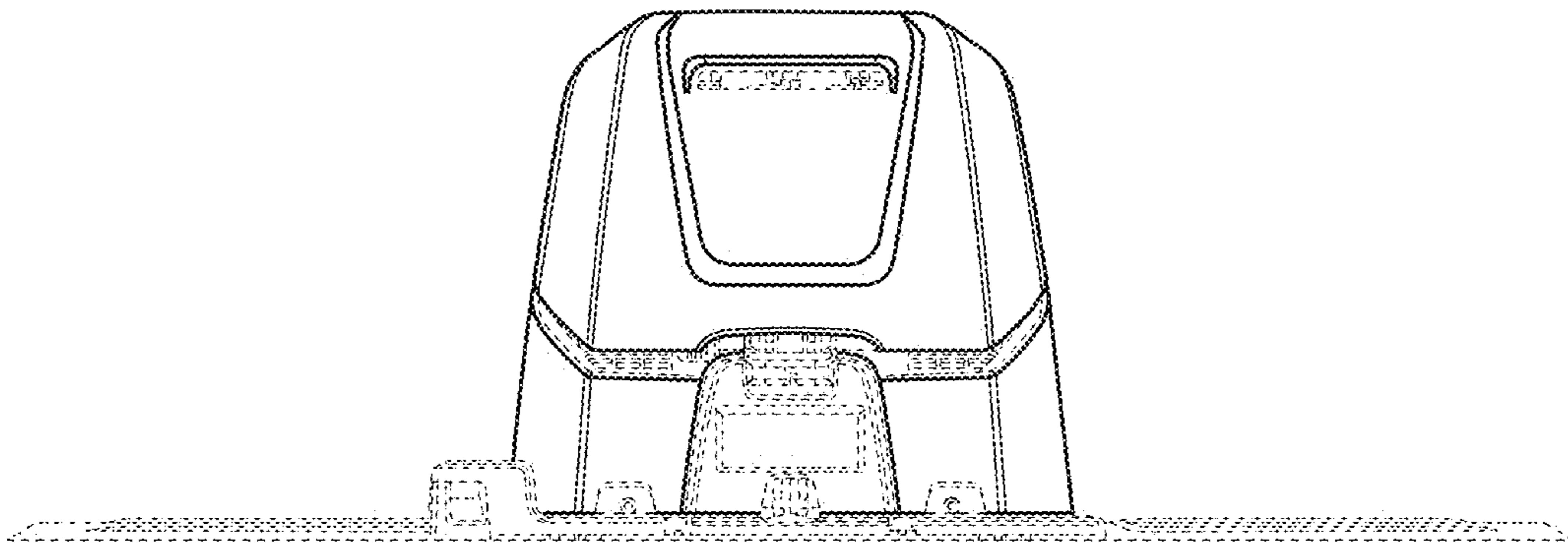


FIG. 3

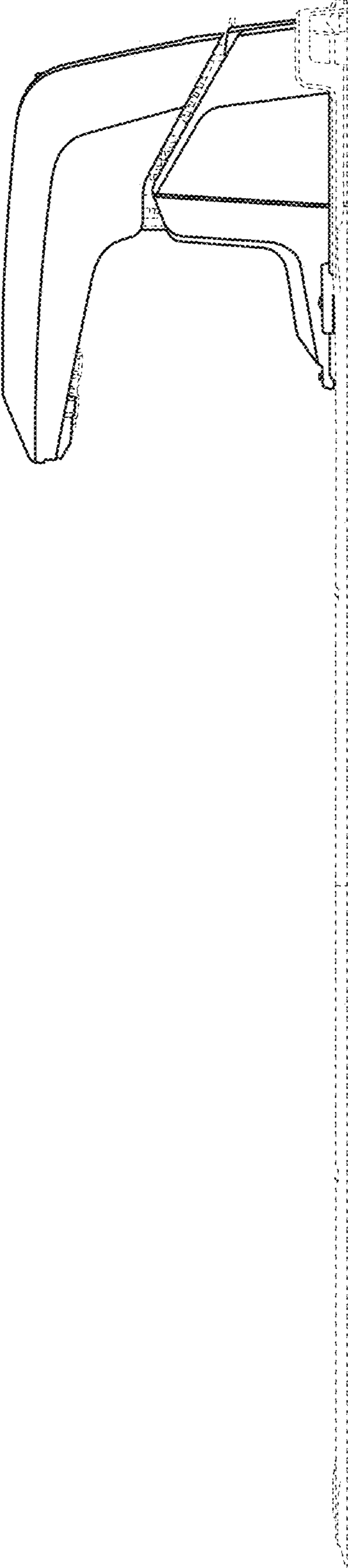


FIG. 4

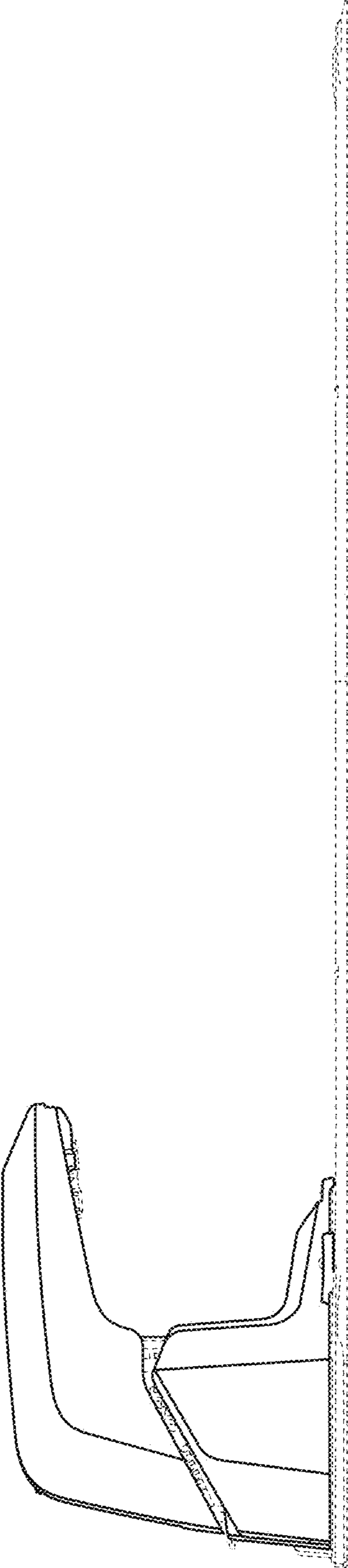


FIG. 5

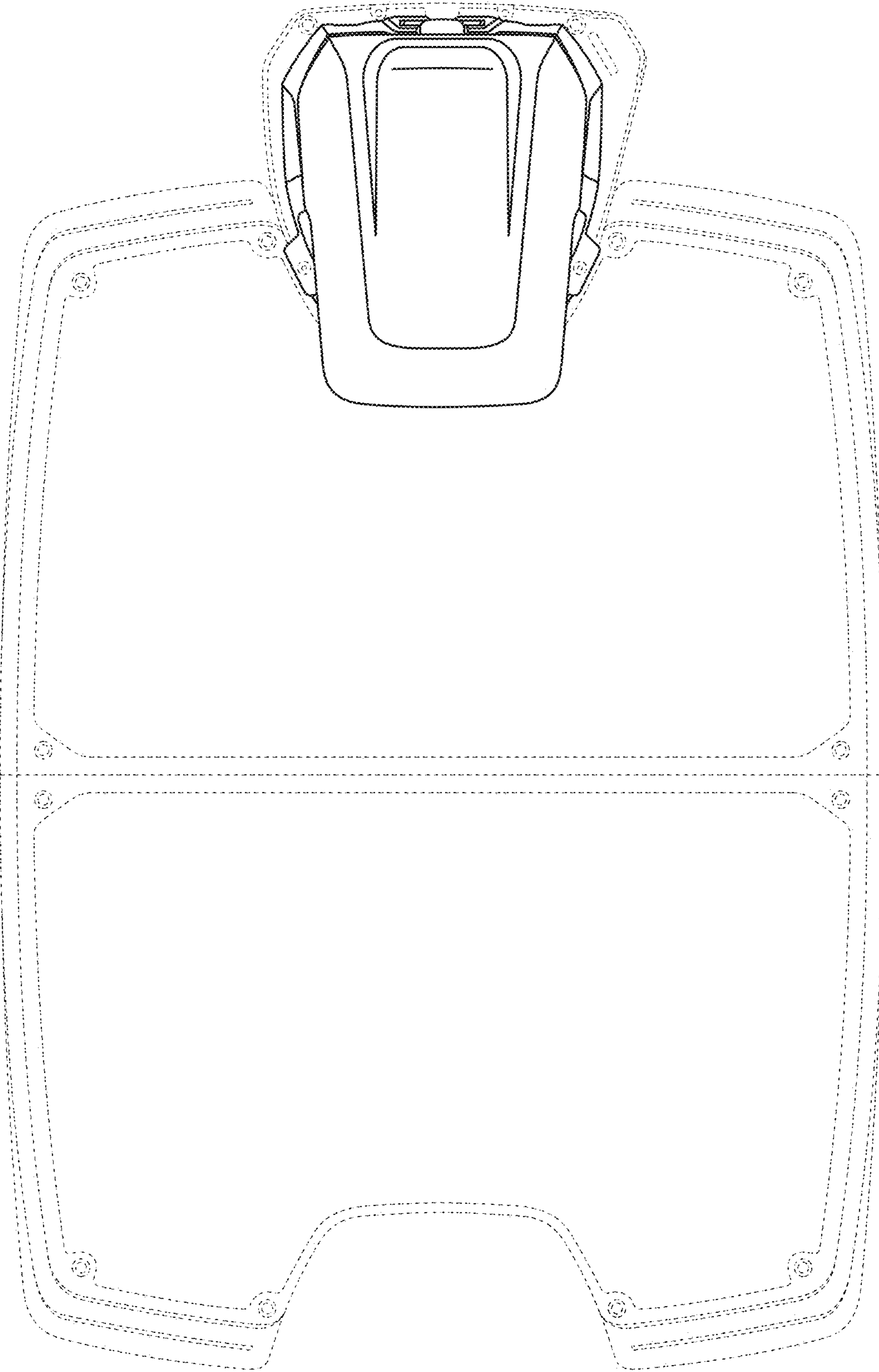


FIG. 6

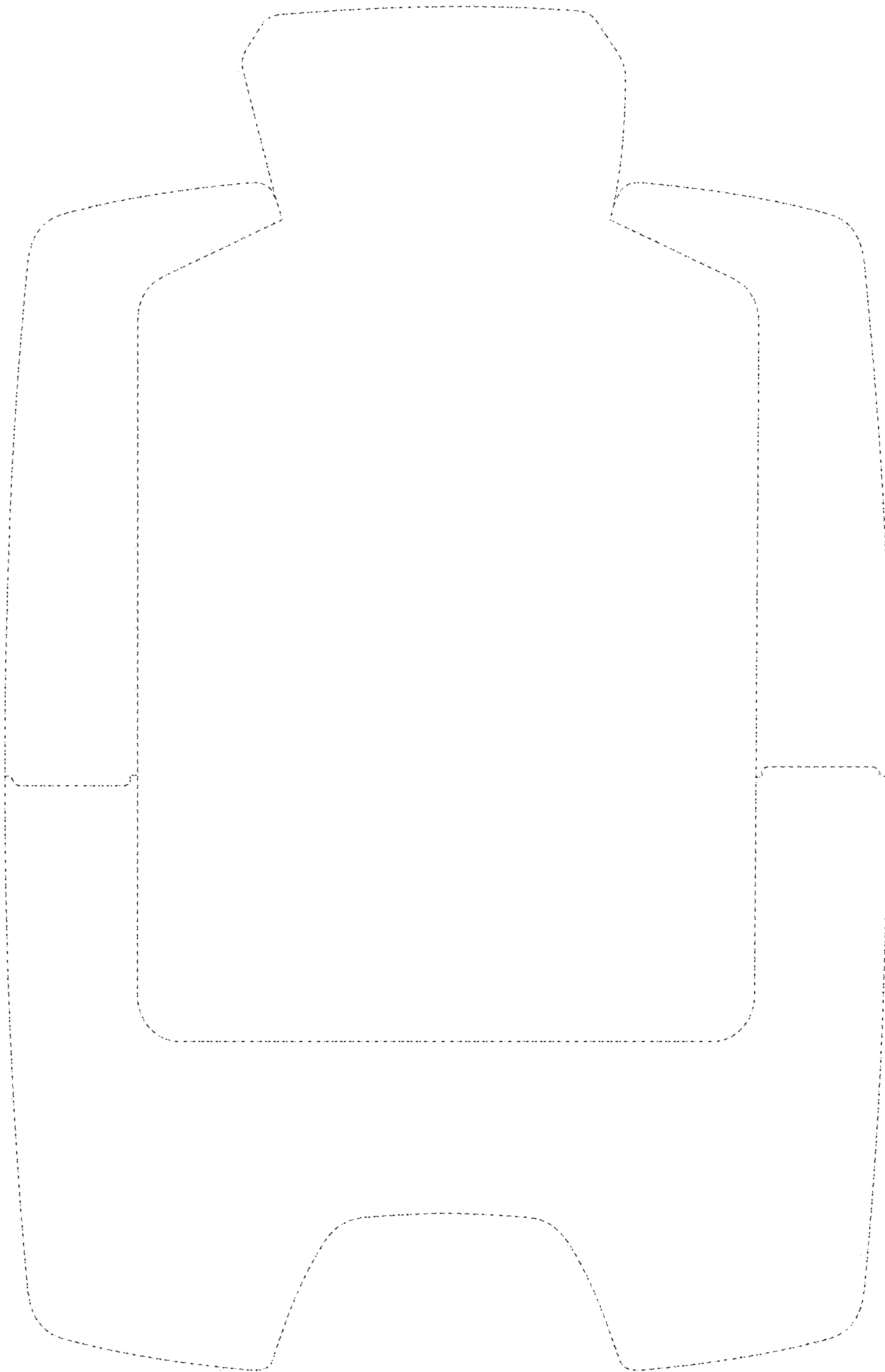


FIG. 7

UNITED STATES PATENT AND TRADEMARK OFFICE
CERTIFICATE OF CORRECTION

PATENT NO. : D1,016,009 S
APPLICATION NO. : 29/814961
DATED : February 27, 2024
INVENTOR(S) : Rajinder Mehra et al.

Page 1 of 1

It is certified that error appears in the above-identified patent and that said Letters Patent is hereby corrected as shown below:

On the Title Page

Item (73), "HUSQVARNA, Huskvarna (SE)" should read --HUSQVARNA AB, Huskvarna (SE)--

Add item (30), --(30) Foreign Application Priority Data,
May 10, 2021 (EM) 008533954-0003--

Signed and Sealed this
Thirtieth Day of April, 2024
Katherine Kelly Vidal

Katherine Kelly Vidal
Director of the United States Patent and Trademark Office