



US0D1015954S

(12) **United States Design Patent** (10) **Patent No.:** **US D1,015,954 S**
Chen (45) **Date of Patent:** **** Feb. 27, 2024**

(54) **BIKE TRAILER HITCH ARM**
(71) Applicant: **Yan Chen**, Ningbo (CN)
(72) Inventor: **Yan Chen**, Ningbo (CN)
(**) Term: **15 Years**
(21) Appl. No.: **29/819,754**
(22) Filed: **Dec. 17, 2021**
(51) **LOC (14) Cl.** **12-10**
(52) **U.S. Cl.**
USPC **D12/106**
(58) **Field of Classification Search**
USPC D12/101-106, 111, 114, 115, 117, 162,
D12/223
CPC B62K 27/003; B62K 27/12; B62K 13/025
See application file for complete search history.

(56) **References Cited**
U.S. PATENT DOCUMENTS

4,371,184 A * 2/1983 Henden B60D 1/50
280/495
5,454,577 A * 10/1995 Bell B62K 27/003
280/643
D372,001 S * 7/1996 Alford D12/162
D377,634 S * 1/1997 DeLeo D12/114
D379,782 S * 6/1997 Adams D12/114
D384,602 S * 10/1997 Anderberg D12/114
D399,803 S * 10/1998 Hilmen D12/162
D410,891 S * 6/1999 Adams D12/408
6,983,947 B2 * 1/2006 Asbury B62K 13/02
280/239
D573,514 S * 7/2008 Liu D12/102
D578,442 S * 10/2008 Oakley D12/162
7,445,222 B2 * 11/2008 Bell B62K 27/02
280/204
D592,110 S * 5/2009 Oakley D12/162
D660,748 S * 5/2012 Cooley D12/101

8,636,094 B1 * 1/2014 Conner B62K 27/12
280/492
D698,700 S * 2/2014 Dempsey D12/101
8,695,992 B2 * 4/2014 Piaget B62K 27/003
280/204
D706,684 S * 6/2014 Dempsey D12/101
D797,001 S * 9/2017 Liu D12/106
D811,950 S * 3/2018 Hanson B62B 9/087
D12/129
D887,905 S * 6/2020 Fricke B62K 27/003
D12/114
11,046,385 B1 * 6/2021 Anderegg B62K 27/003
2001/0038190 A1 * 11/2001 Provencher B62K 27/006
280/281.1
2004/0145147 A1 * 7/2004 Asbury B62K 27/12
280/493
2006/0186634 A1 * 8/2006 Giese B62K 27/12
280/292
2007/0086851 A1 * 4/2007 Lu B62K 27/12
403/230

* cited by examiner

Primary Examiner — Michelle E. Wilson
Assistant Examiner — Clese Moore, Jr.
(74) *Attorney, Agent, or Firm* — Georgi Korobanov

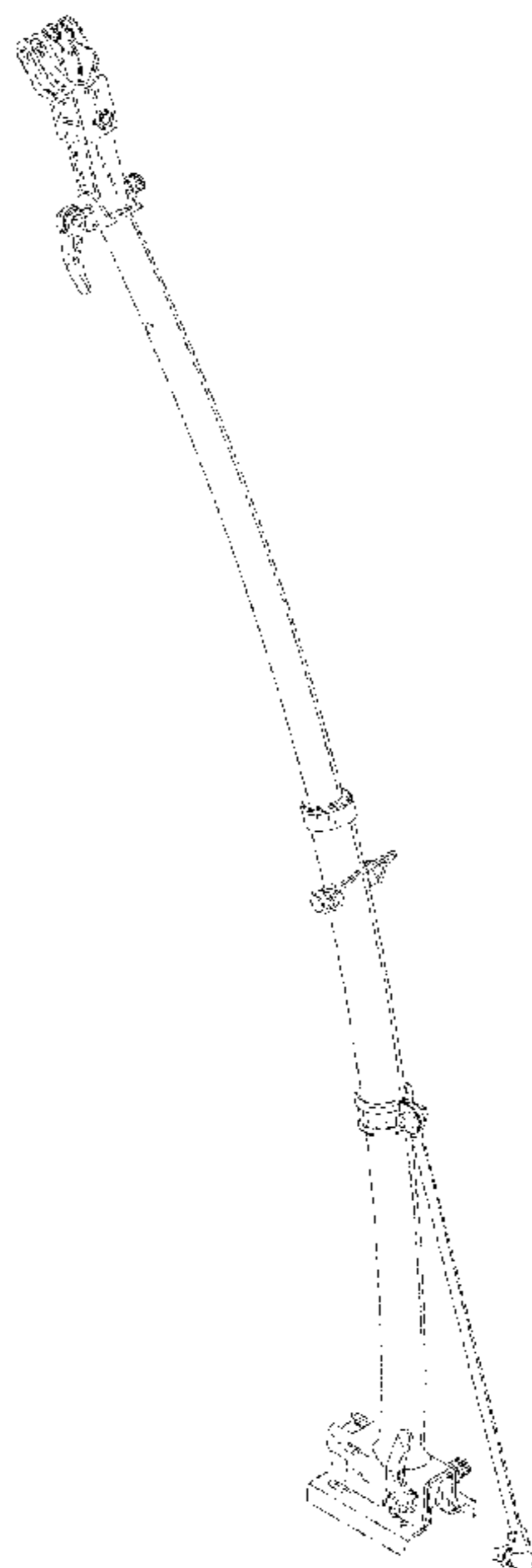
(57) **CLAIM**

The ornamental design for bike trailer hitch arm, substantially as shown and described.

DESCRIPTION

FIG. 1 is a front perspective view of bike trailer hitch arm, showing my new design;
FIG. 2 is a front elevational view thereof;
FIG. 3 is a rear elevational view thereof;
FIG. 4 is a left side elevational view thereof;
FIG. 5 is a right side elevational view thereof;
FIG. 6 is a top plan view thereof; and,
FIG. 7 is a bottom plan view thereof.

1 Claim, 7 Drawing Sheets



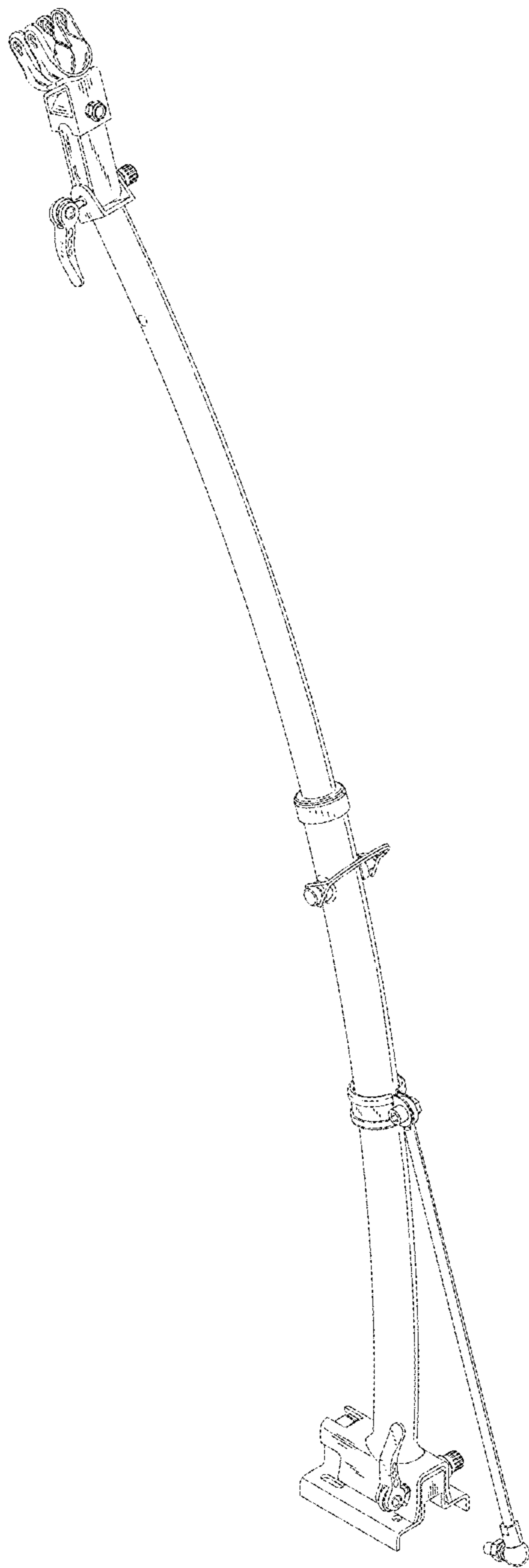


FIG.1

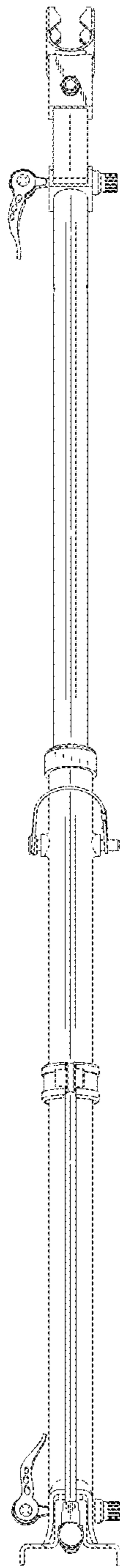


FIG.2

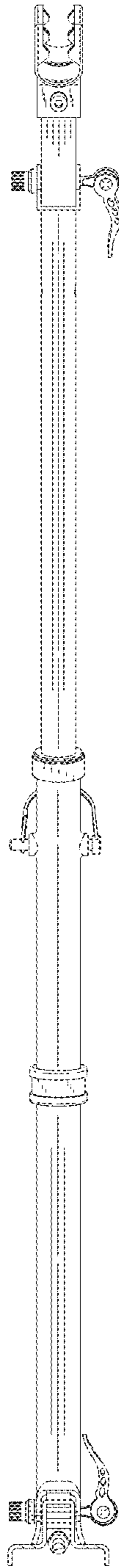


FIG.3

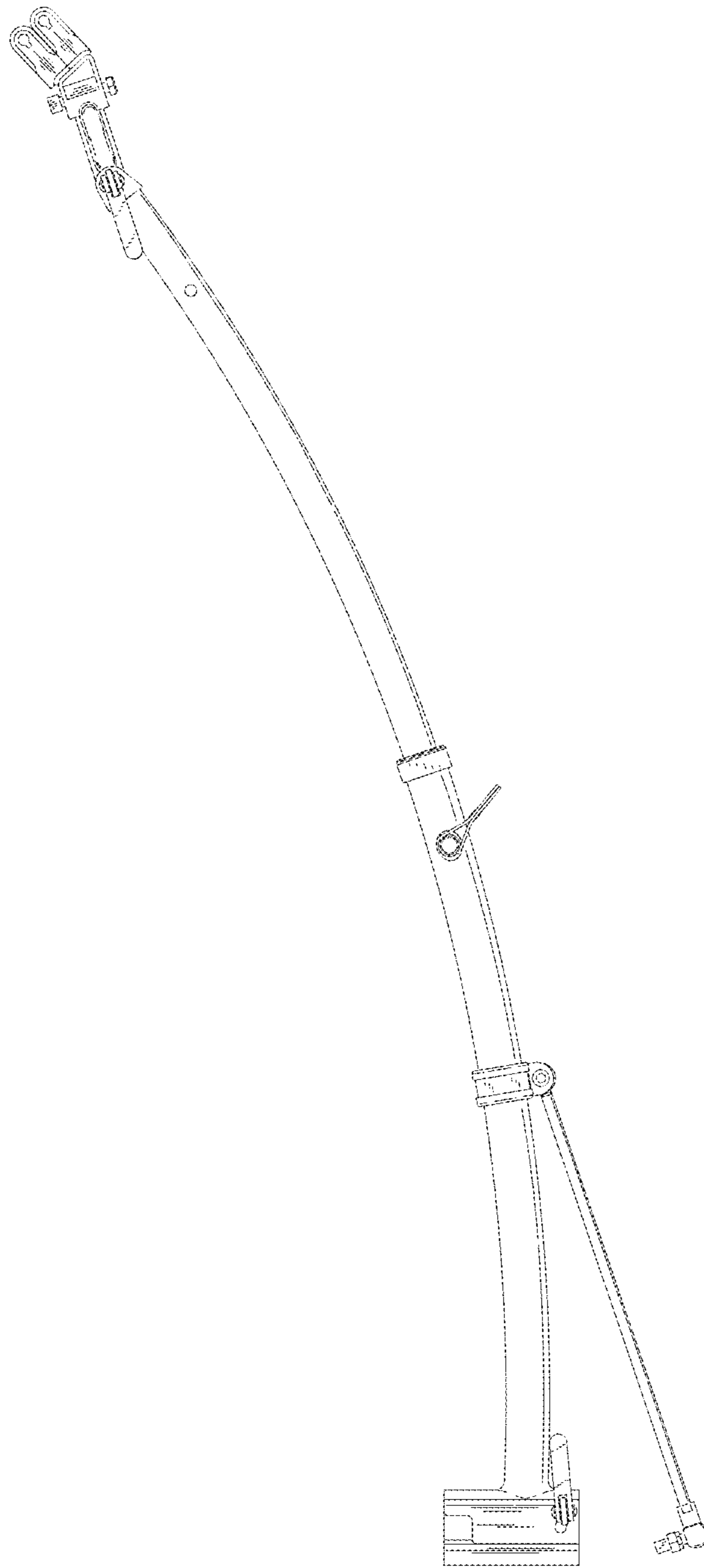


FIG. 4

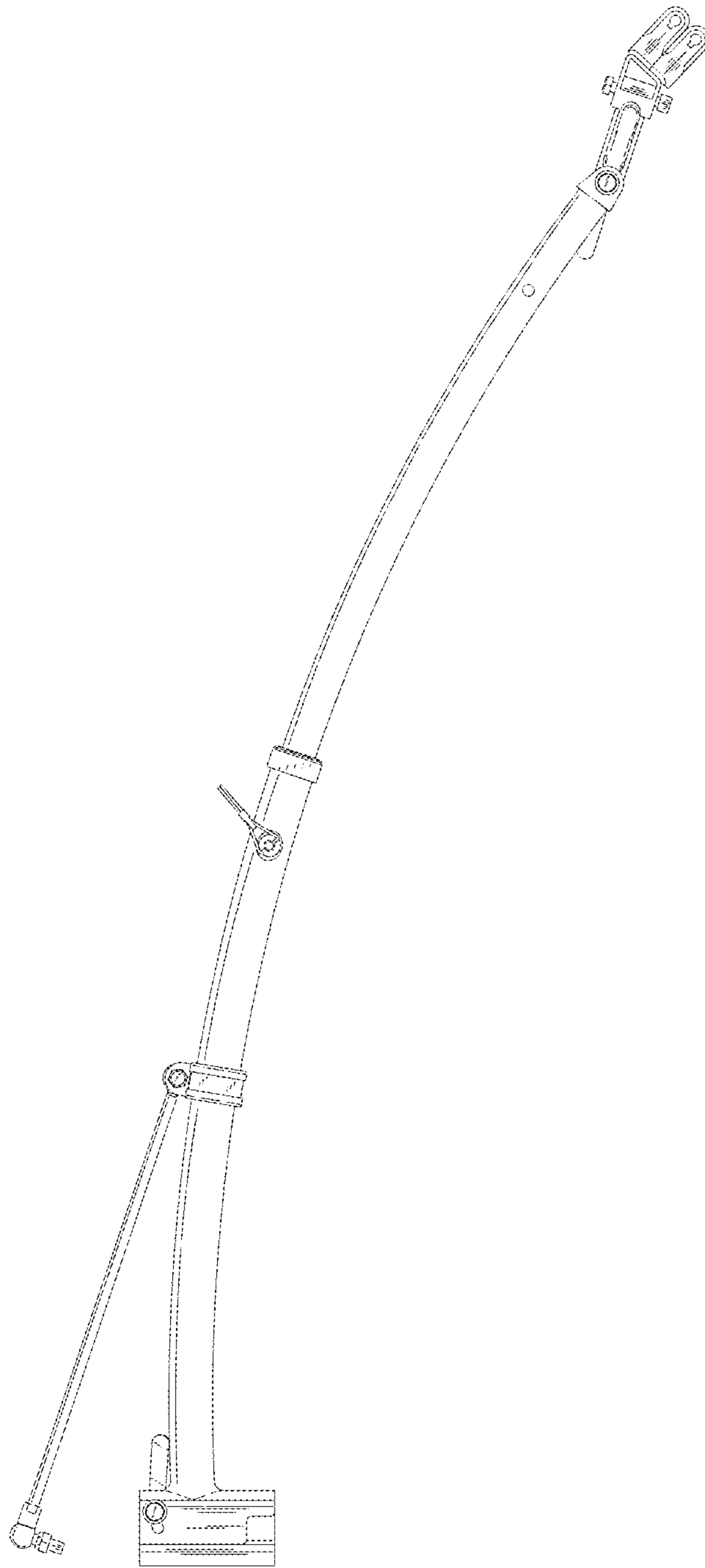


FIG.5

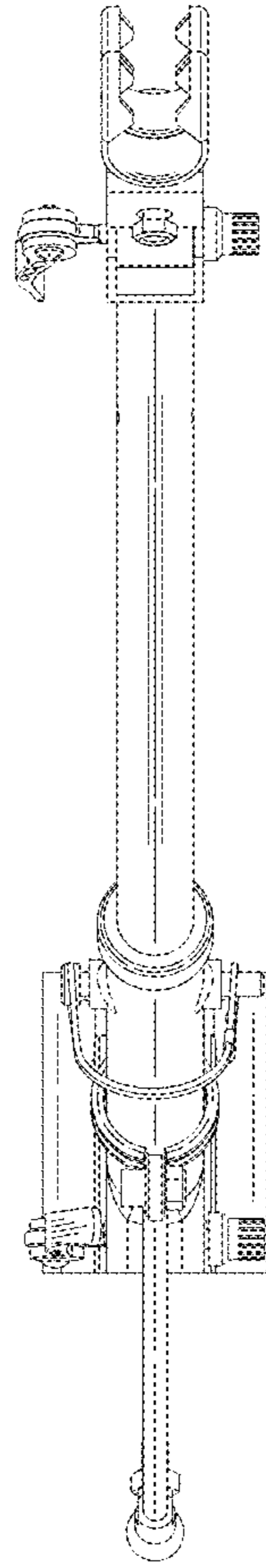


FIG.6

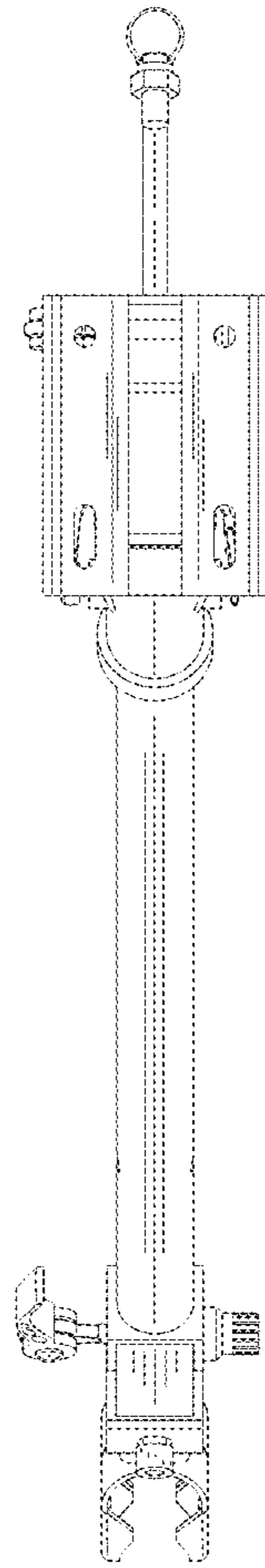


FIG. 7