



US0D1015904S

(12) **United States Design Patent** (10) **Patent No.:** **US D1,015,904 S**
Toomey (45) **Date of Patent:** **** Feb. 27, 2024**

(54) **DOUBLE-SIDED MEASURING INSTRUMENT**

(71) Applicant: **Peter Joseph Toomey**, Liberty Hill, TX (US)

(72) Inventor: **Peter Joseph Toomey**, Liberty Hill, TX (US)

(**) Term: **15 Years**

(21) Appl. No.: **29/802,696**

(22) Filed: **Aug. 6, 2021**

(51) **LOC (14) Cl.** **10-04**

(52) **U.S. Cl.**
USPC **D10/65**

(58) **Field of Classification Search**
USPC D10/61-65, 70-74; D24/140; D18/34.1
CPC G01B 11/02
See application file for complete search history.

(56) **References Cited**

U.S. PATENT DOCUMENTS

4,361,964	A *	12/1982	Hennessee	B25H 7/00
					33/481
D289,382	S *	4/1987	Porter	D10/65
D332,413	S *	1/1993	Douglas	D10/65
D349,462	S *	8/1994	Douglas	D10/65
5,575,074	A	11/1996	Cottongim		
5,813,216	A	9/1998	Hoshiba		
D440,889	S *	4/2001	Frescas	D10/62
6,230,416	B1 *	5/2001	Trigilio	G01C 15/008
					33/DIG. 21
6,604,296	B2 *	8/2003	Mastrobattista	B23Q 9/0042
					83/745
6,688,014	B1 *	2/2004	Allemand	B25H 7/00
					33/476
D512,611	S *	12/2005	Knapp	D8/14
7,174,650	B1 *	2/2007	Marshall	B43L 7/005
					33/427
8,146,260	B1 *	4/2012	Visser	B43L 13/028
					33/418
D659,561	S *	5/2012	Liao	D10/65
8,276,285	B1 *	10/2012	Bennett	G01B 3/566
					33/480

(Continued)

FOREIGN PATENT DOCUMENTS

CN 203511071 U 4/2014

OTHER PUBLICATIONS

2-IN-1 Footer Rafter Square, <https://www.homedepot.com/p/Varney-Tools-2-in-1-Footer-Roof-Rafter-Square-Pack-of-2-032929/310533442>.

(Continued)

Primary Examiner — George D. Kirschbaum
Assistant Examiner — Antoinette Martine Suiter

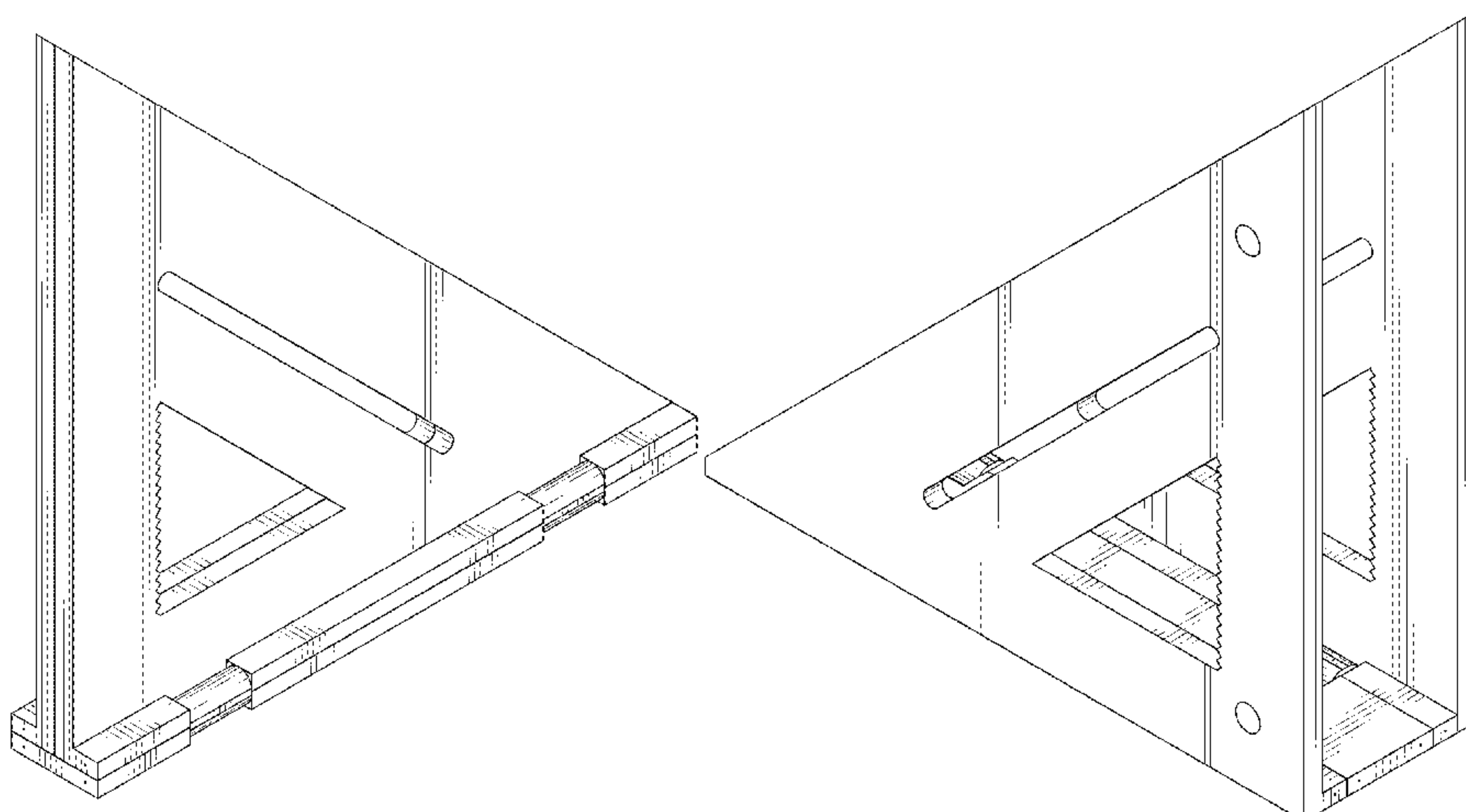
(57) **CLAIM**

The ornamental design for a double-sided measuring instrument, as shown and described.

DESCRIPTION

FIG. 1 is a front-top-left perspective view of a double-sided measuring instrument showing my new design; FIG. 2 is a rear-bottom-left perspective view thereof; FIG. 3 is a front elevational view thereof; FIG. 4 is a rear elevational view thereof; FIG. 5 is a left elevational view thereof; FIG. 6 is a right elevational view thereof; FIG. 7 is a top plan view thereof; FIG. 8 is a bottom plan view thereof; FIG. 9 is an open configuration front-top-right perspective view thereof; FIG. 10 is an open configuration rear-bottom-right perspective view thereof; FIG. 11 is an open configuration front-top-left perspective view thereof; and, FIG. 12 is an open configuration rear-bottom-left perspective thereof.

1 Claim, 12 Drawing Sheets



(56)

References Cited

U.S. PATENT DOCUMENTS

9,488,458 B2 * 11/2016 Phillips G01B 3/1084
 D850,301 S * 6/2019 Elysium D10/65
 D887,872 S * 6/2020 Mackey D10/65
 D887,873 S * 6/2020 Draeger D10/65
 D928,636 S * 8/2021 Wojciechowski D10/65
 11,161,366 B2 * 11/2021 Walsh B43L 7/02
 D976,718 S * 1/2023 Xia D10/65
 D982,462 S * 4/2023 Wojciechowski D10/65
 D982,463 S * 4/2023 Wojciechowski D10/65
 2003/0037453 A1 * 2/2003 Mastrobattista B23Q 9/0042
 33/484
 2007/0277387 A1 * 12/2007 Morrell B43L 12/02
 33/429
 2008/0301962 A1 12/2008 Haala
 2009/0260244 A1 * 10/2009 Carbone, Jr. G01B 3/1084
 33/527
 2010/0139106 A1 * 6/2010 Atwood B43L 7/12
 33/418
 2020/0047542 A1 * 2/2020 Walsh B43L 7/0275
 2022/0234380 A1 * 7/2022 Wolf B43L 23/08
 2022/0281098 A1 * 9/2022 Toomey B43L 7/0275

OTHER PUBLICATIONS

Speed Bevel Folding Square, <https://www.amazon.com/SWANSON-TOSB01-Speed-Folding-Square/dp/B004VQBRB0>.
 Resin Pivot Square, <https://www.amazon.com/Hanson-03065-Pivot-Square-Nylon/dp/B0077CQCNI>.

* cited by examiner

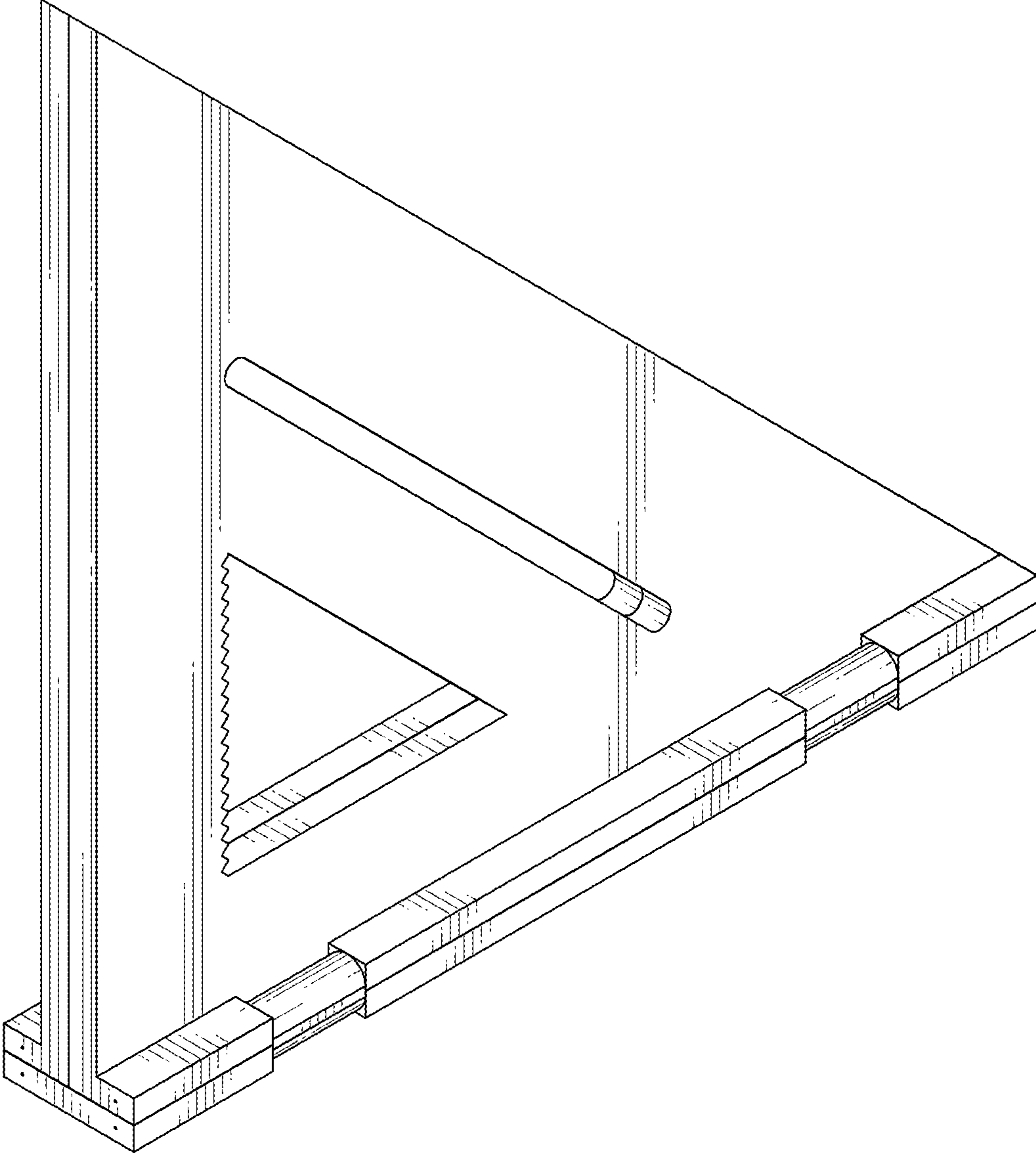


FIG. 1

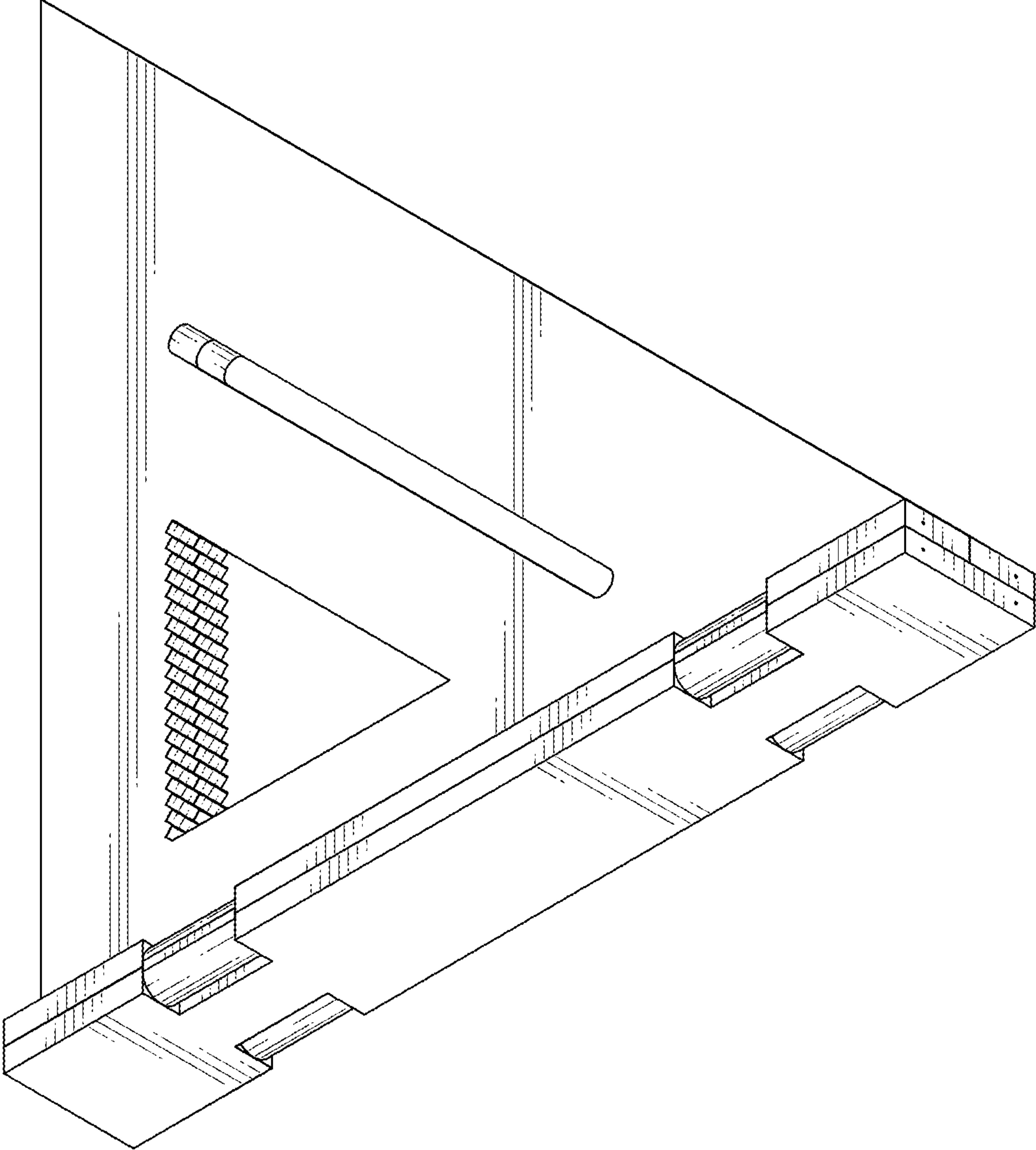


FIG. 2

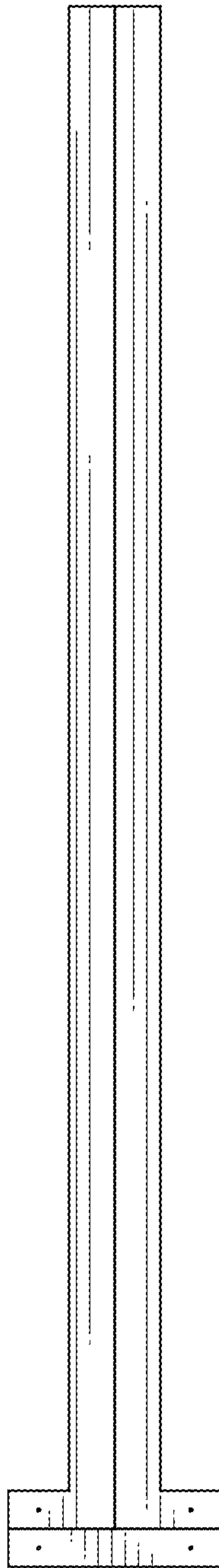


FIG. 3

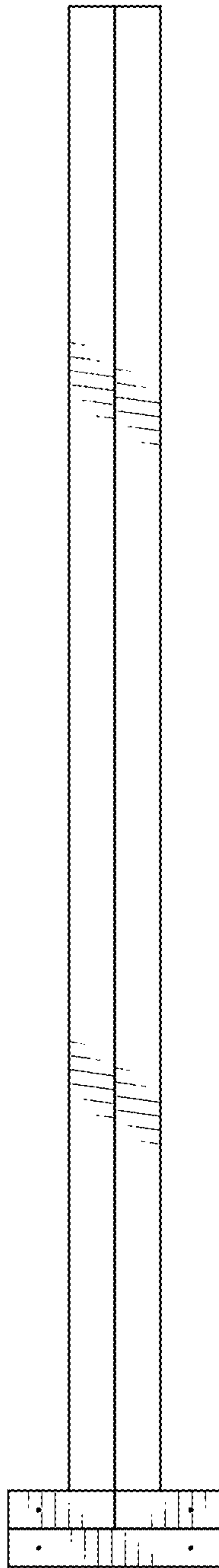


FIG. 4

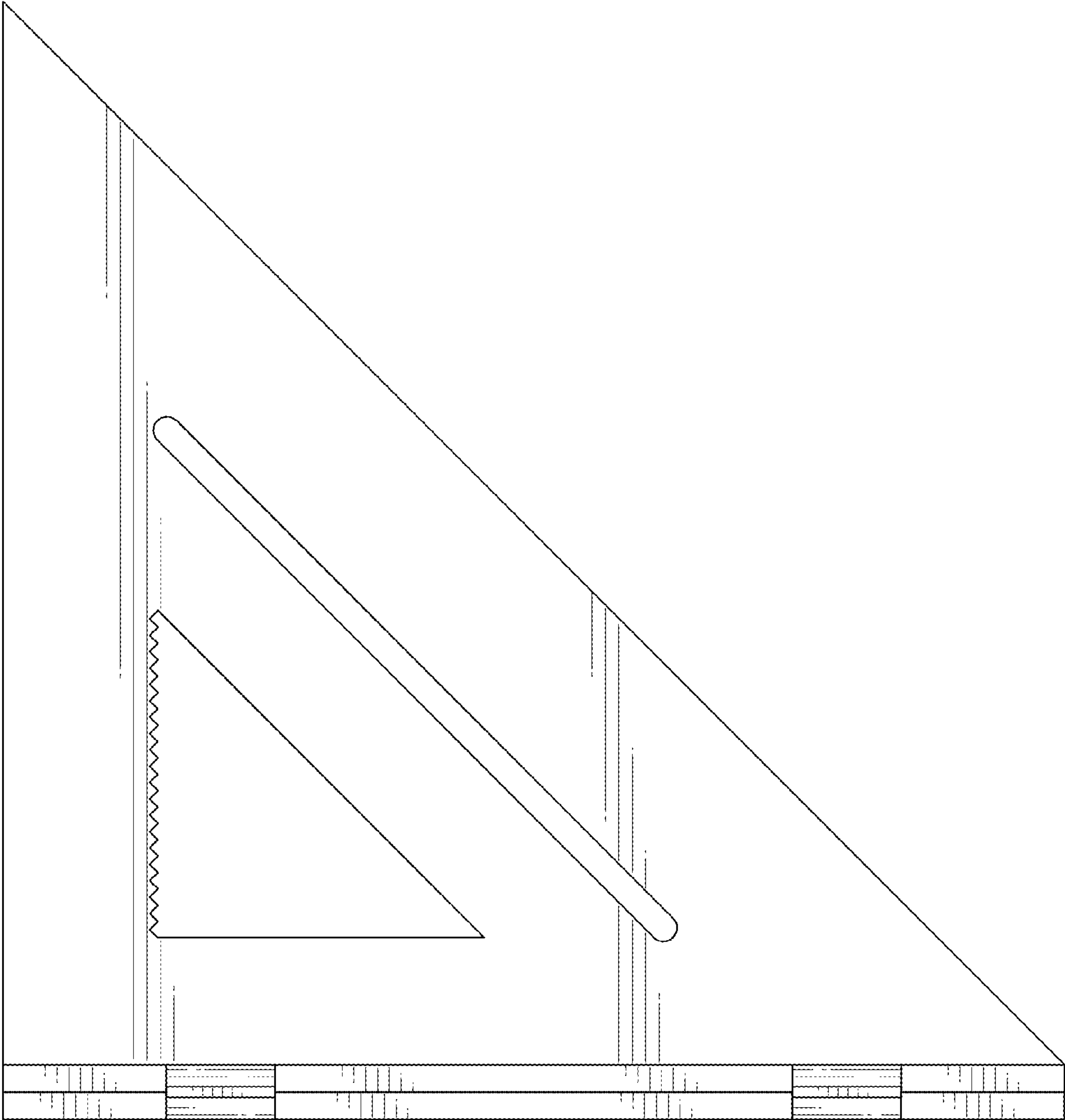


FIG. 5

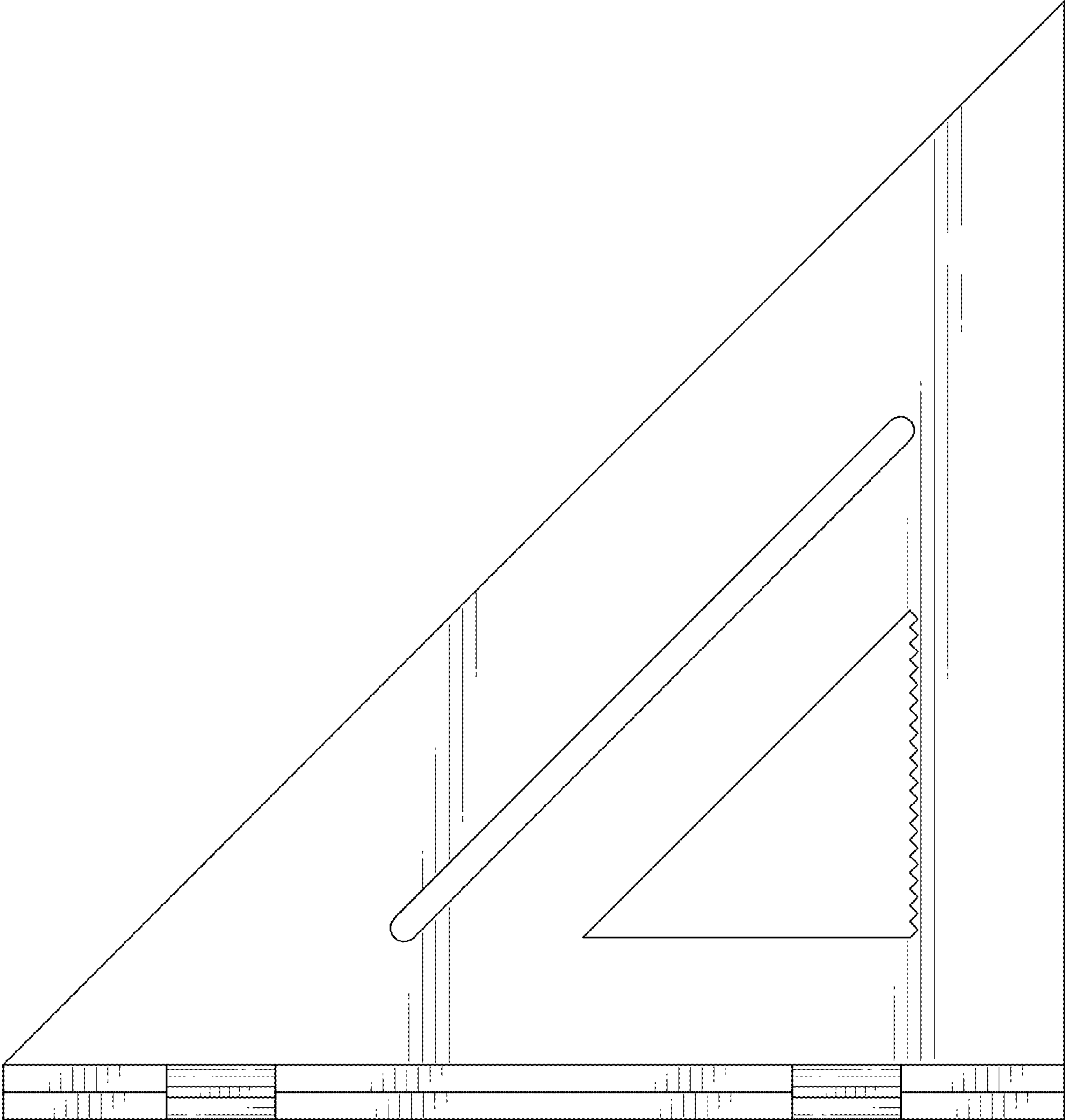


FIG. 6

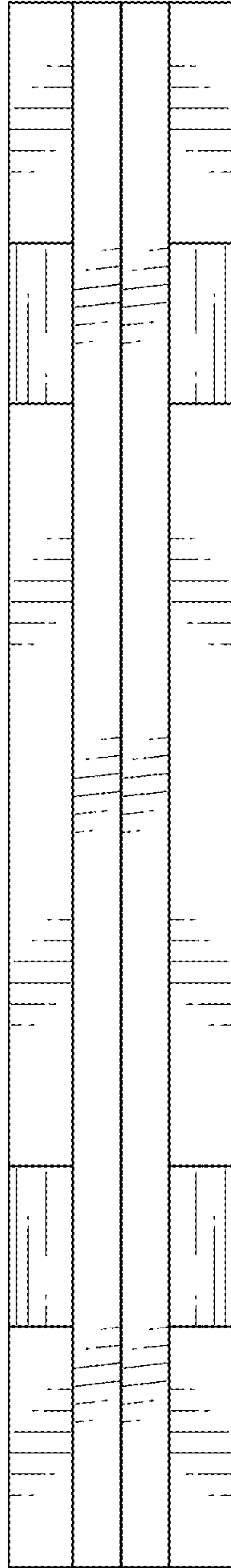


FIG. 7

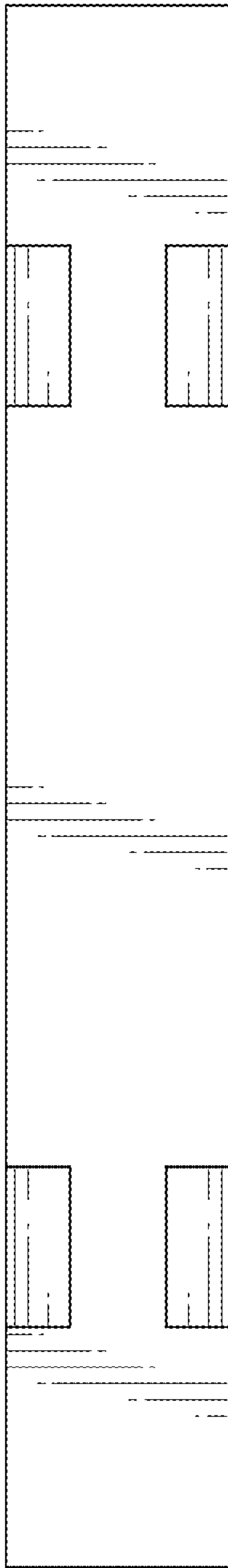


FIG. 8

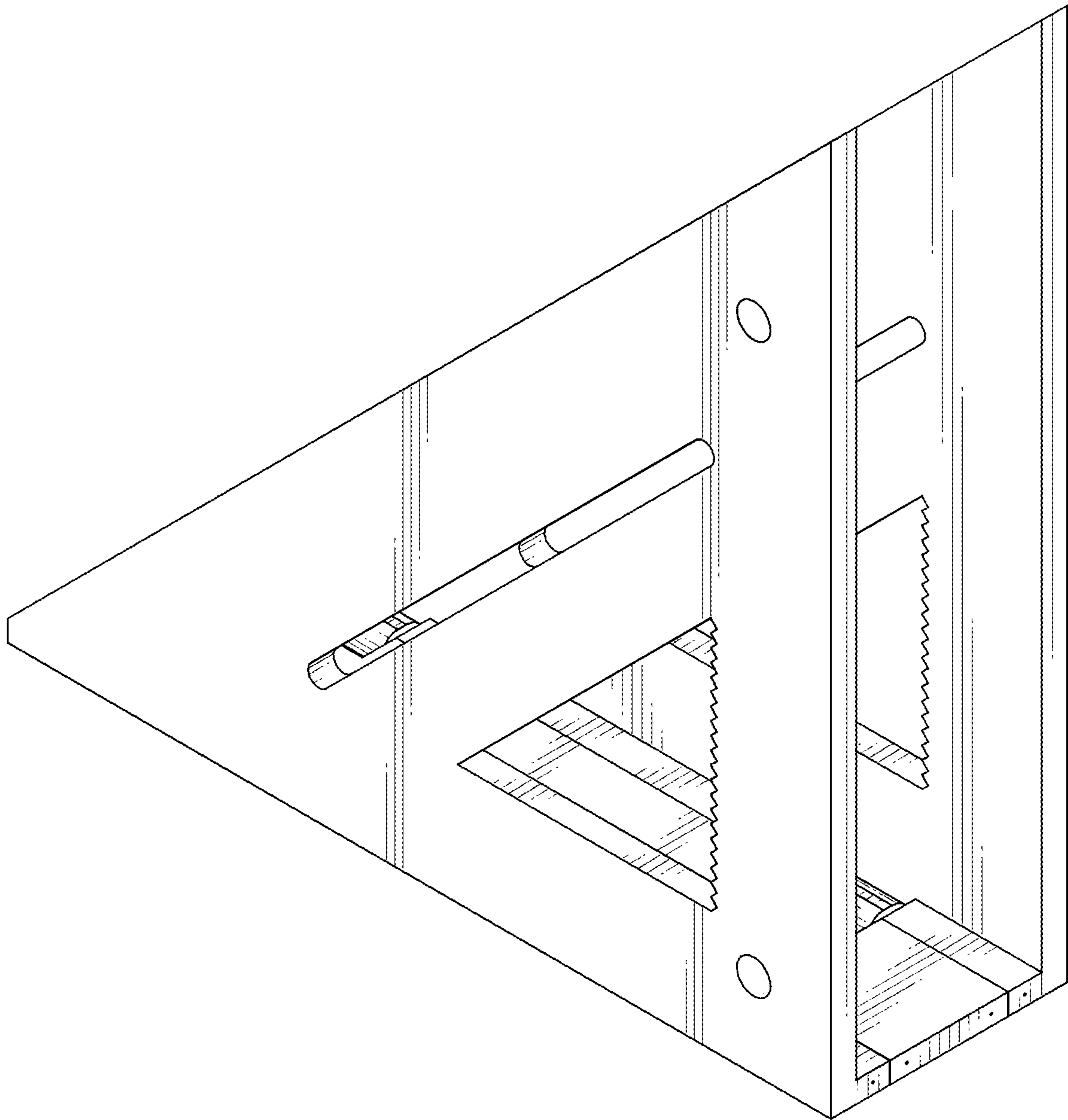


FIG. 9

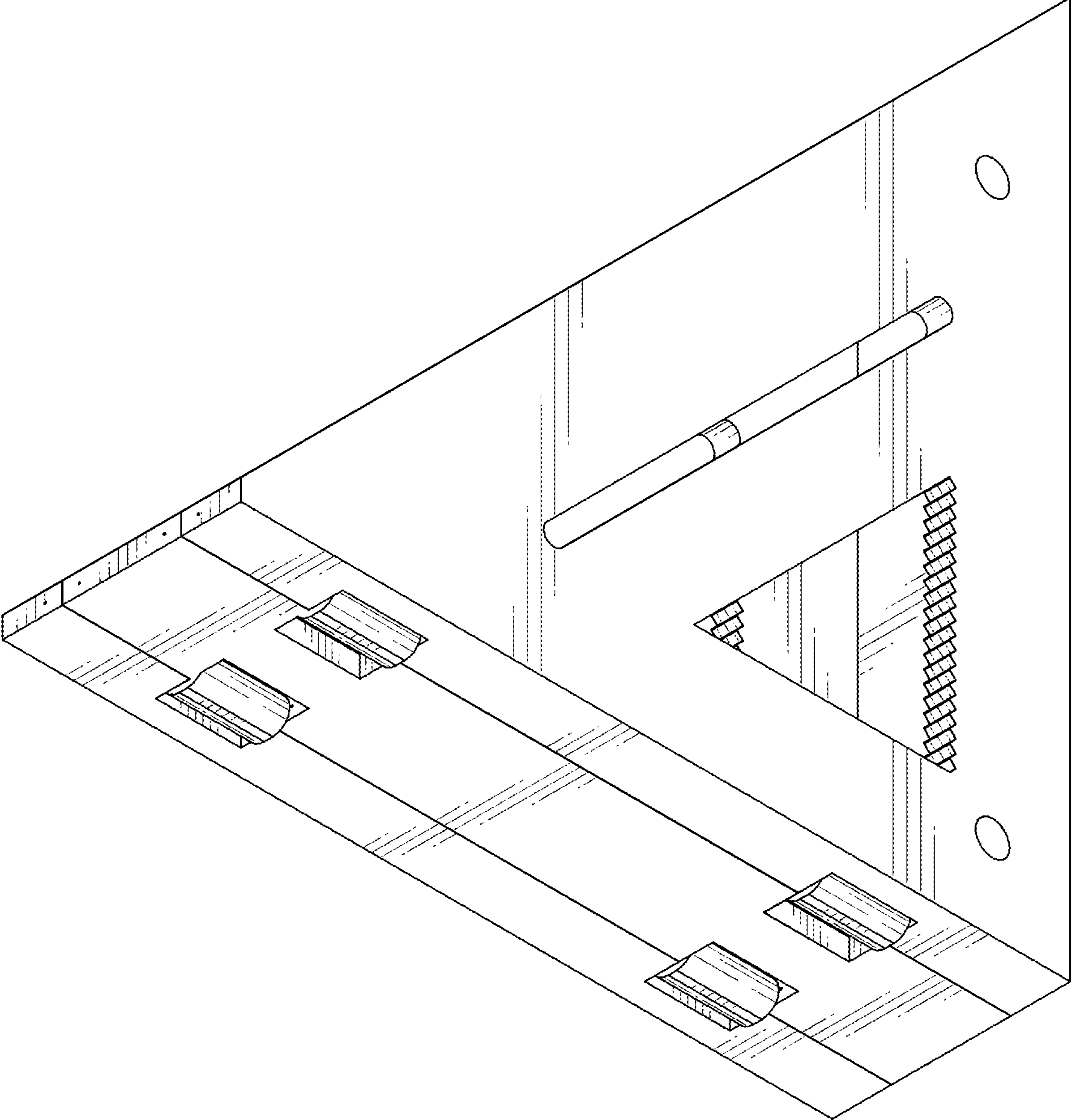


FIG. 10

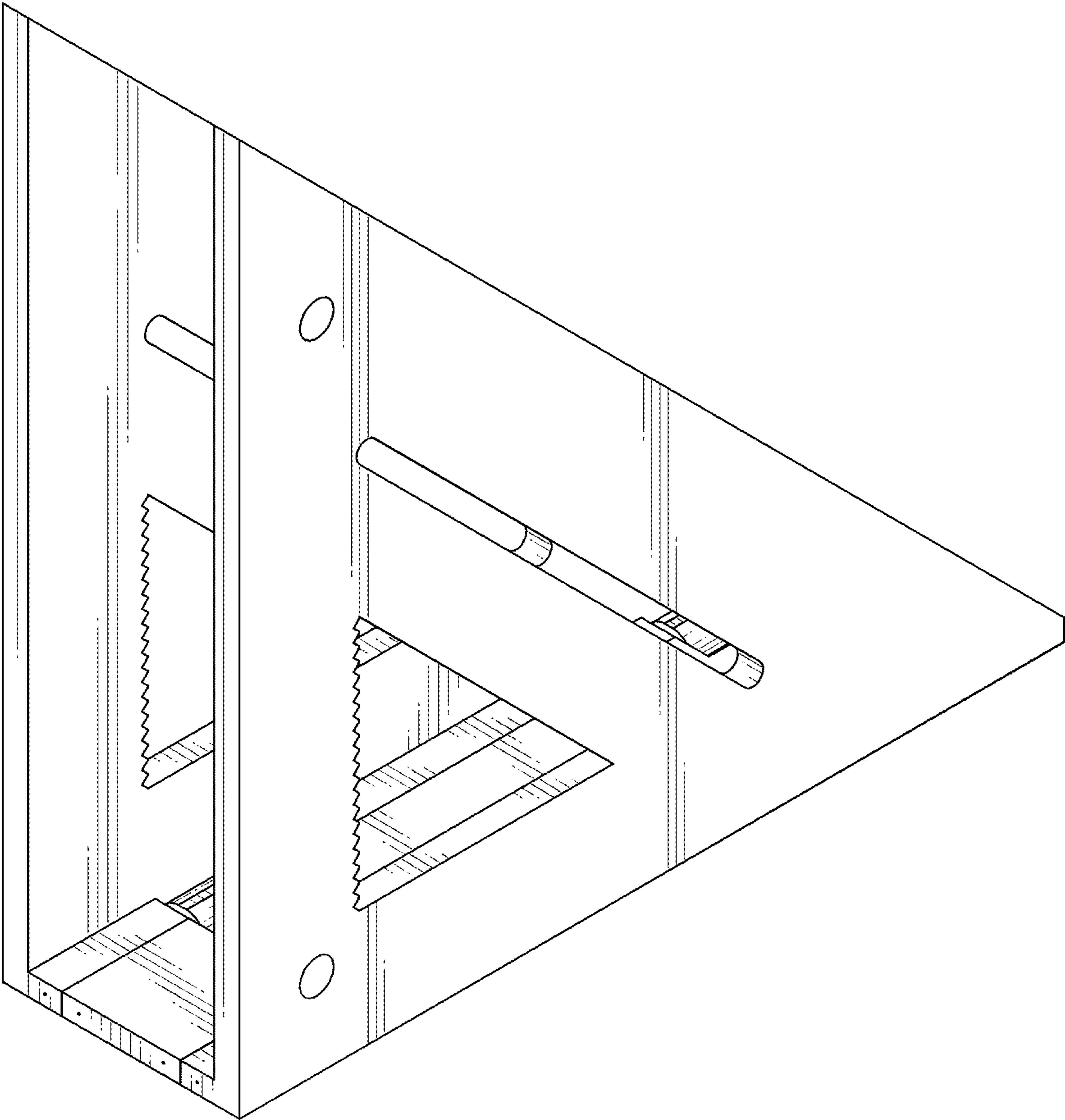


FIG. 11

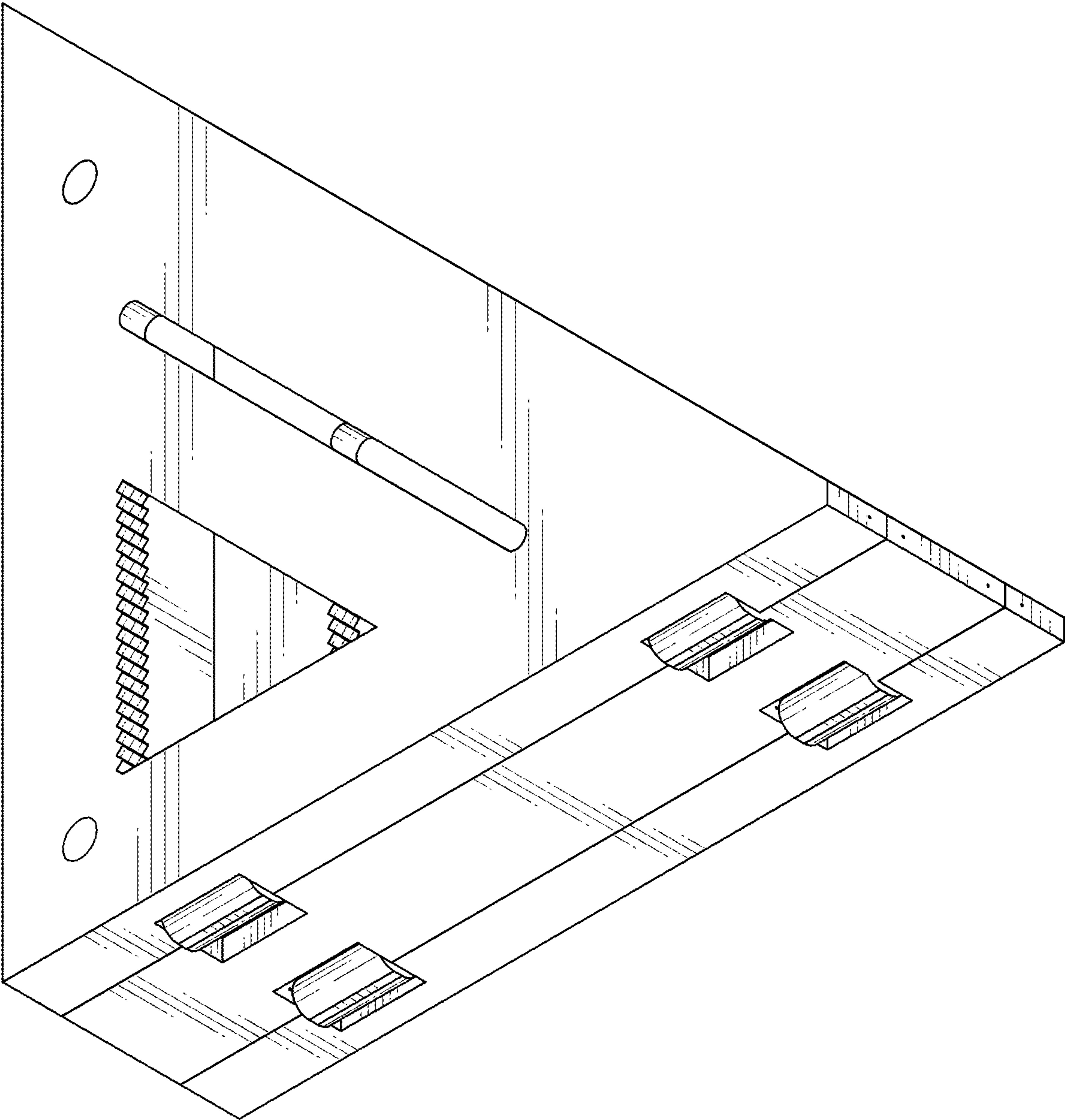


FIG. 12