



US0D1015871S

(12) **United States Design Patent** (10) **Patent No.:** **US D1,015,871 S**
Natsume et al. (45) **Date of Patent:** **** Feb. 27, 2024**

(54) **SET OF ACCESSORY BOXES**

(71) Applicant: **Magic Leap, Inc.**, Plantation, FL (US)

(72) Inventors: **Shigeru Natsume**, Weston, FL (US);
Sarah Hoit, Fort Lauderdale, FL (US);
James William Palmer, Miami, FL (US);
Daniel Marcelo Gamez Castillejos, Dublin, CA (US);
Christopher G. Palmer, Pleasanton, CA (US)

(73) Assignee: **Magic Leap, Inc.**, Plantation, FL (US)

(**) Term: **15 Years**

(21) Appl. No.: **29/716,337**

(22) Filed: **Dec. 9, 2019**

(51) **LOC (14) Cl.** **09-03**

(52) **U.S. Cl.**
USPC **D9/433; D9/432**

(58) **Field of Classification Search**
USPC D9/414, 415, 419, 420, 424, 425, 426,
D9/427, 428, 429, 430, 431, 432, 434,
(Continued)

(56) **References Cited**

U.S. PATENT DOCUMENTS

7,686,206 B2 * 3/2010 Bondarik B65D 5/4283
229/190
D829,096 S * 9/2018 Perella D9/423
(Continued)

FOREIGN PATENT DOCUMENTS

CA 196065 * 4/2022
EM 007991377-0002 * 9/2020
(Continued)

OTHER PUBLICATIONS

Rigid Set-Up Boxes, posted date not available [retrieved Jul. 11, 2023]. Retrieved from internet, <https://www.uline.com/Product/>

Detail/S-10707/Special-Use-Boxes/3-1-2-x-7-x-2-Rigid-Set-Up-Boxes?pricode=WB0274&gadtype=pla&id=S-10707&clid=EAlalQobChMlxrmz6vaGgAMVzBKtBh0YdwOJEAKYBiABEgl7FfD_BwE (Year: 2023).*

(Continued)

Primary Examiner — Darcey E Gottschalk
Assistant Examiner — Haley K Schnebele
(74) *Attorney, Agent, or Firm* — Fish & Richardson P.C.

(57) **CLAIM**

The ornamental design for a set of accessory boxes, as shown and described.

DESCRIPTION

FIG. 1 is a top perspective view of the set of accessory boxes, shown in an environment of use.
FIG. 2 is a top perspective view of the set of accessory boxes, shown with the environment removed.
FIG. 3 is front view thereof.
FIG. 4 is a back perspective view thereof.
FIG. 5 is left side view thereof.
FIG. 6 is right side view thereof.
FIG. 7 is top view thereof.
FIG. 8 is bottom view thereof.
FIG. 9 is a bottom perspective view thereof.
FIG. 10 is a top perspective view of a first one of the four accessory boxes, shown removed from the others, in an unfolded configuration.
FIG. 11 is front view thereof.
FIG. 12 is a back view thereof.
FIG. 13 is left side view thereof.
FIG. 14 is right side view thereof.
FIG. 15 is top view thereof.
FIG. 16 is bottom view thereof.
FIG. 17 is a bottom perspective view thereof.
FIG. 18 is a top perspective view of FIG. 10, in an assembled configuration.
FIG. 19 is front view thereof.
FIG. 20 is a back view thereof.

(Continued)

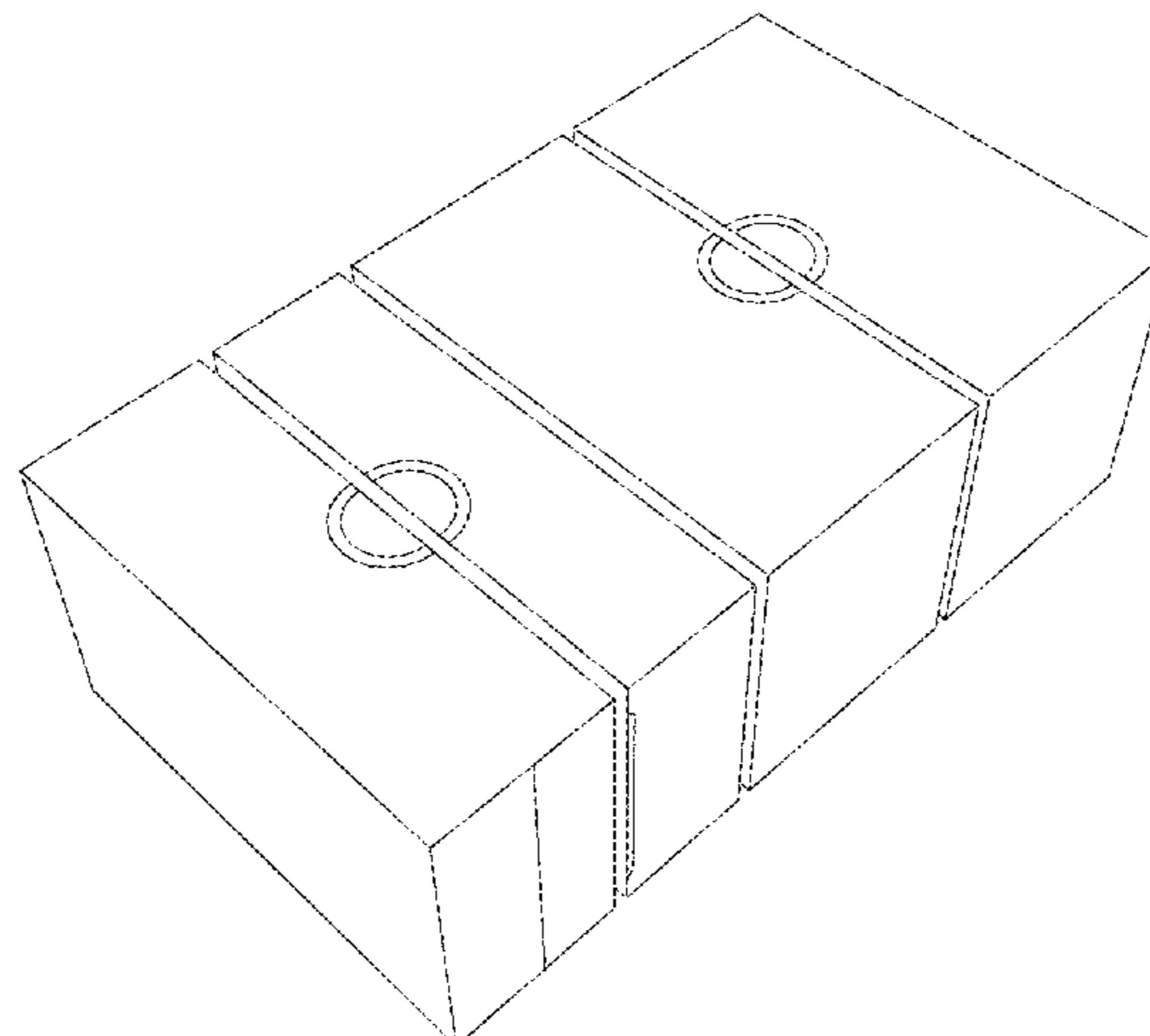


FIG. 21 is left side view thereof.
 FIG. 22 is right side view thereof.
 FIG. 23 is top view thereof.
 FIG. 24 is bottom view thereof.
 FIG. 25 is a bottom perspective view thereof.
 FIG. 26 is a top perspective view of a second one of the four accessory boxes, shown removed from the others, in an unfolded configuration.
 FIG. 27 is front view thereof.
 FIG. 28 is a back view thereof.
 FIG. 29 is left side view thereof.
 FIG. 30 is right side view thereof.
 FIG. 31 is top view thereof.
 FIG. 32 is bottom view thereof.
 FIG. 33 is a bottom perspective view thereof.
 FIG. 34 is a top perspective view of FIG. 26, in an assembled configuration.
 FIG. 35 is front view thereof.
 FIG. 36 is a back view thereof.
 FIG. 37 is left side view thereof.
 FIG. 38 is right side view thereof.
 FIG. 39 is top view thereof.
 FIG. 40 is bottom view thereof.
 FIG. 41 is a bottom perspective view thereof.
 FIG. 42 is a top perspective view of a third one of the four accessory boxes, shown removed from the others, in an unfolded configuration.
 FIG. 43 is front view thereof.
 FIG. 44 is a back view thereof.
 FIG. 45 is left side view thereof.
 FIG. 46 is right side view thereof.
 FIG. 47 is top view thereof.
 FIG. 48 is bottom view thereof.
 FIG. 49 is a bottom perspective view thereof.
 FIG. 50 is a top perspective view FIG. 42, in an assembled configuration.
 FIG. 51 is front view thereof.
 FIG. 52 is a back view thereof.
 FIG. 53 is left side view thereof.
 FIG. 54 is right side view thereof.
 FIG. 55 is top view thereof.
 FIG. 56 is bottom view thereof; and,
 FIG. 57 is a bottom perspective view thereof.

The broken lines show portions of the set of accessory boxes that form no part of the claimed design. In FIG. 1, the broken lines show portions of a package that forms no part thereof.

1 Claim, 36 Drawing Sheets

(58) **Field of Classification Search**

USPC D9/444, 449, 456, 457, 499, 711, 713,
 D9/737, 756, 757, 758, 761, 763, 764,
 D9/766, 767, 772, 549, 550, 551, 553,
 D9/554, 563, 564, 455; D7/509, 550.1,
 D7/553.1, 553.2, 553.3, 554.3, 555, 601,
 D7/602, 611, 701, 703, 619.1; D20/10,
 D20/22, 26, 27, 28
 CPC B65D 81/3294; B65D 81/133; B65D 1/36;
 B65D 21/0233; B65D 2203/02
 See application file for complete search history.

(56) **References Cited**

U.S. PATENT DOCUMENTS

D829,097	S	*	9/2018	Perella	D9/423
D833,867	S	*	11/2018	Perella	D9/432
D850,908	S	*	6/2019	Perella	D9/432
D918,030	S	*	5/2021	Wan	D9/420

FOREIGN PATENT DOCUMENTS

EM	007991377-0003	*	9/2020
EM	007991377-0004	*	9/2020
EM	007991377-0005	*	9/2020
GB	9007991377-0002	*	6/2020
GB	9007991377-0003	*	6/2020

OTHER PUBLICATIONS

Rigid Set-Up Boxes 2, posted date not available [retrieved Jul. 11, 2023]. Retrieved from internet, https://www.uline.com/Product/Detail/S-14207/Special-Use-Boxes/3-1-2-x-10-x-2-Rigid-Set-Up-Boxes?pricode=WB0274&gadtype=pla&id=S-14207&gclid=EAlalQobChMlxrmz6vaGgAMVzBKtBh0YdwOJEAkYByABEgloo_D_BwE (Year: 2023).*

White Literature Mailers, posted date not available [retrieved Jul. 11, 2023]. Retrieved from internet, <https://www.uline.com/Product/Detail/S-159/Indestructo-and-Literature-Mailers/9-x-6-1-2-x-2-3-4-White-Literature-Mailers?> (Year: 2023).*

* cited by examiner

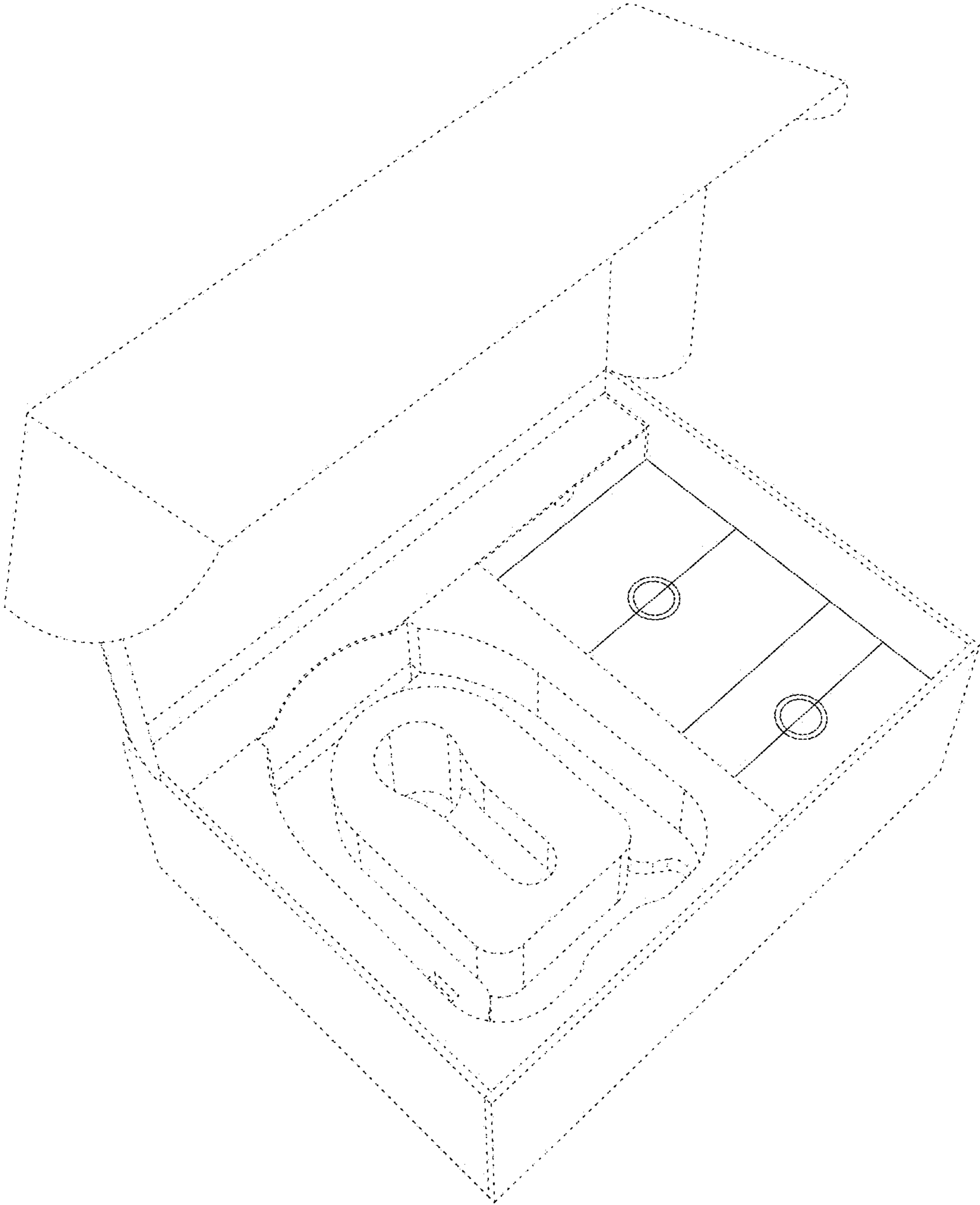


FIG. 1

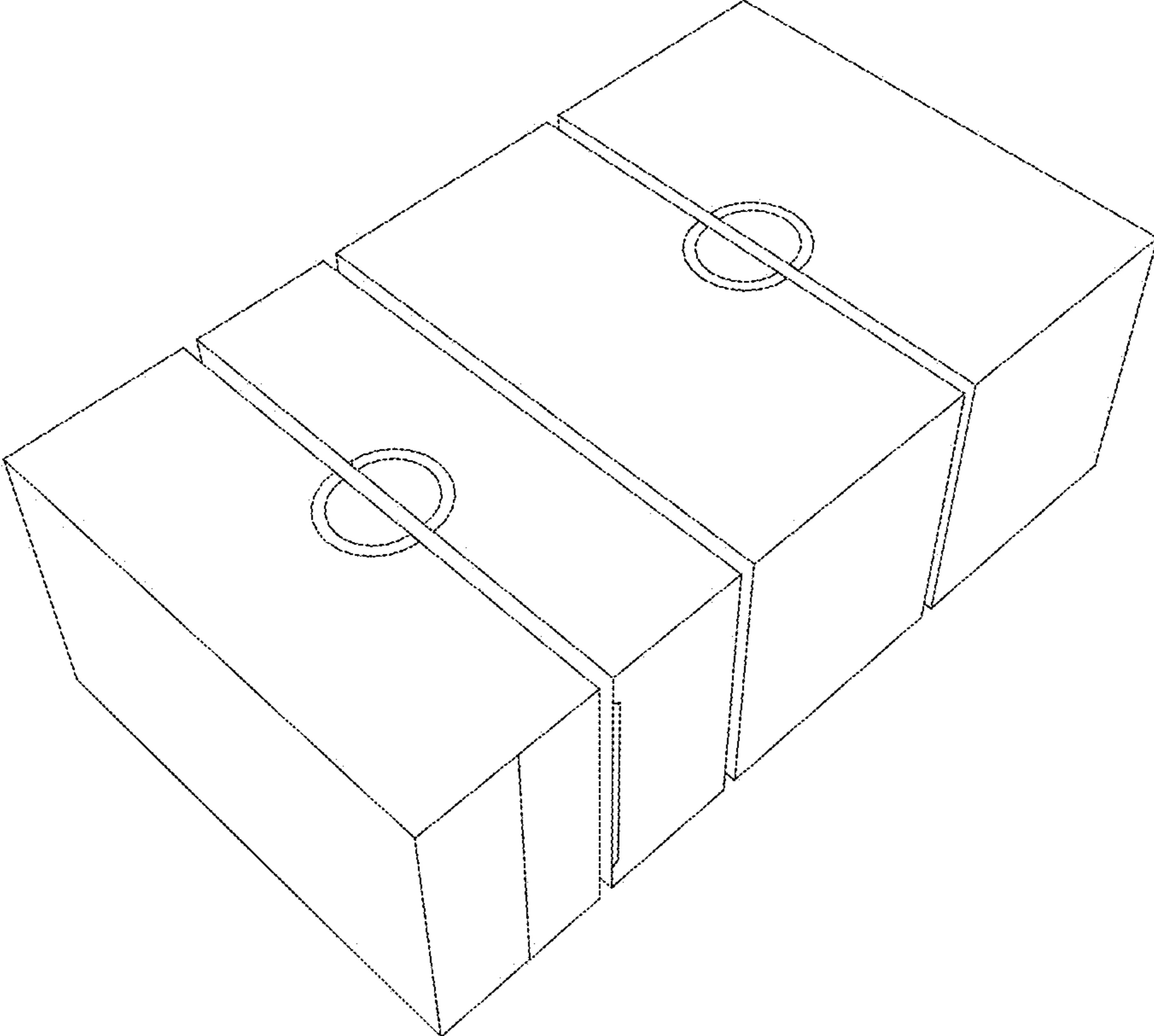


FIG. 2

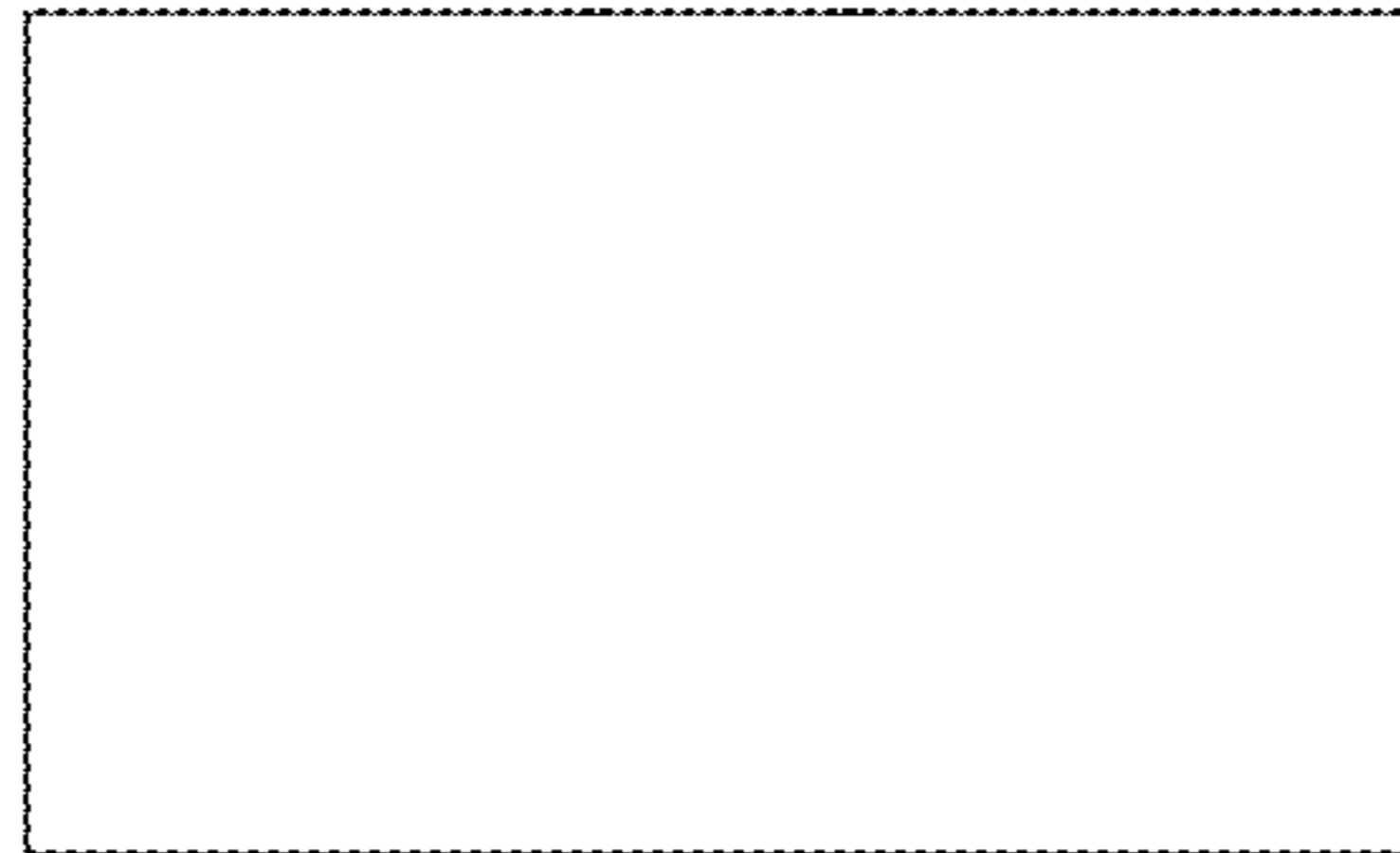


FIG. 3



FIG. 4

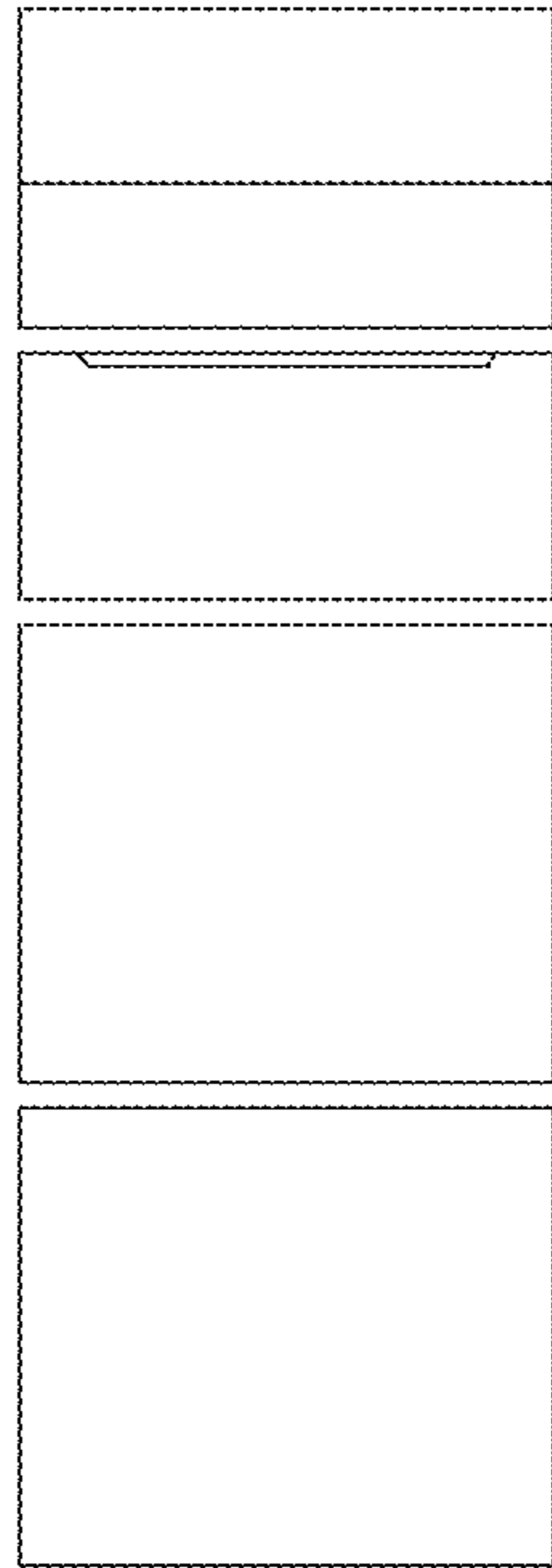


FIG. 5

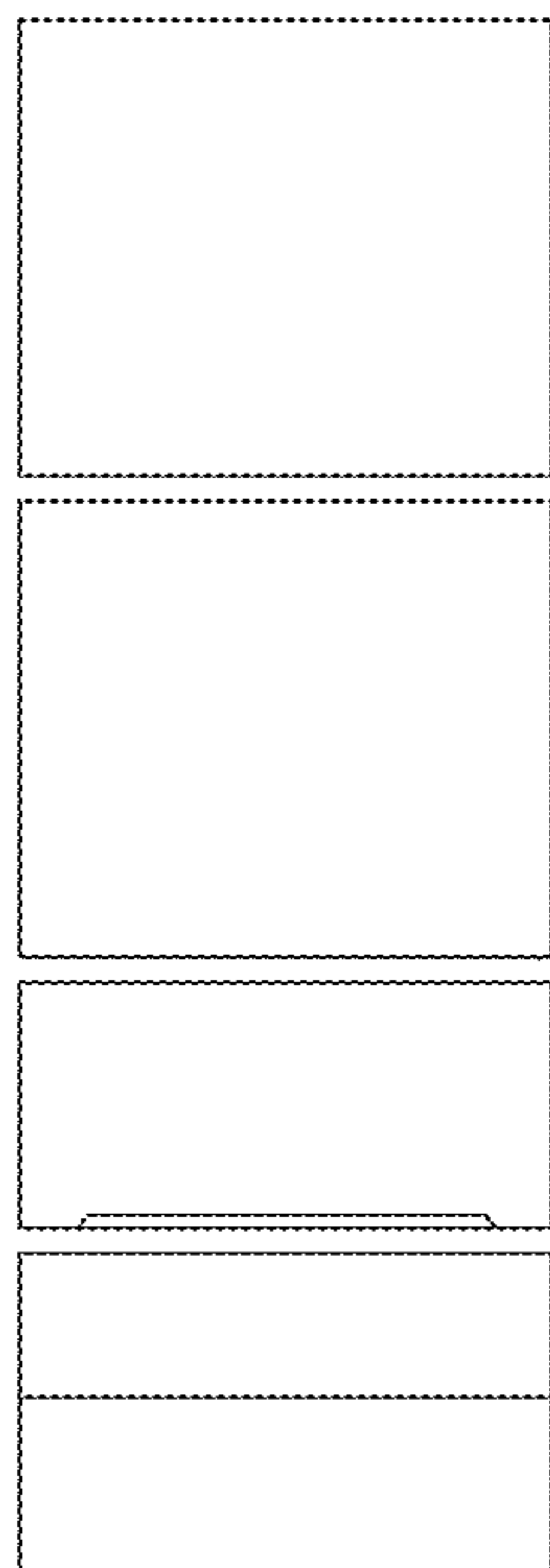


FIG. 6

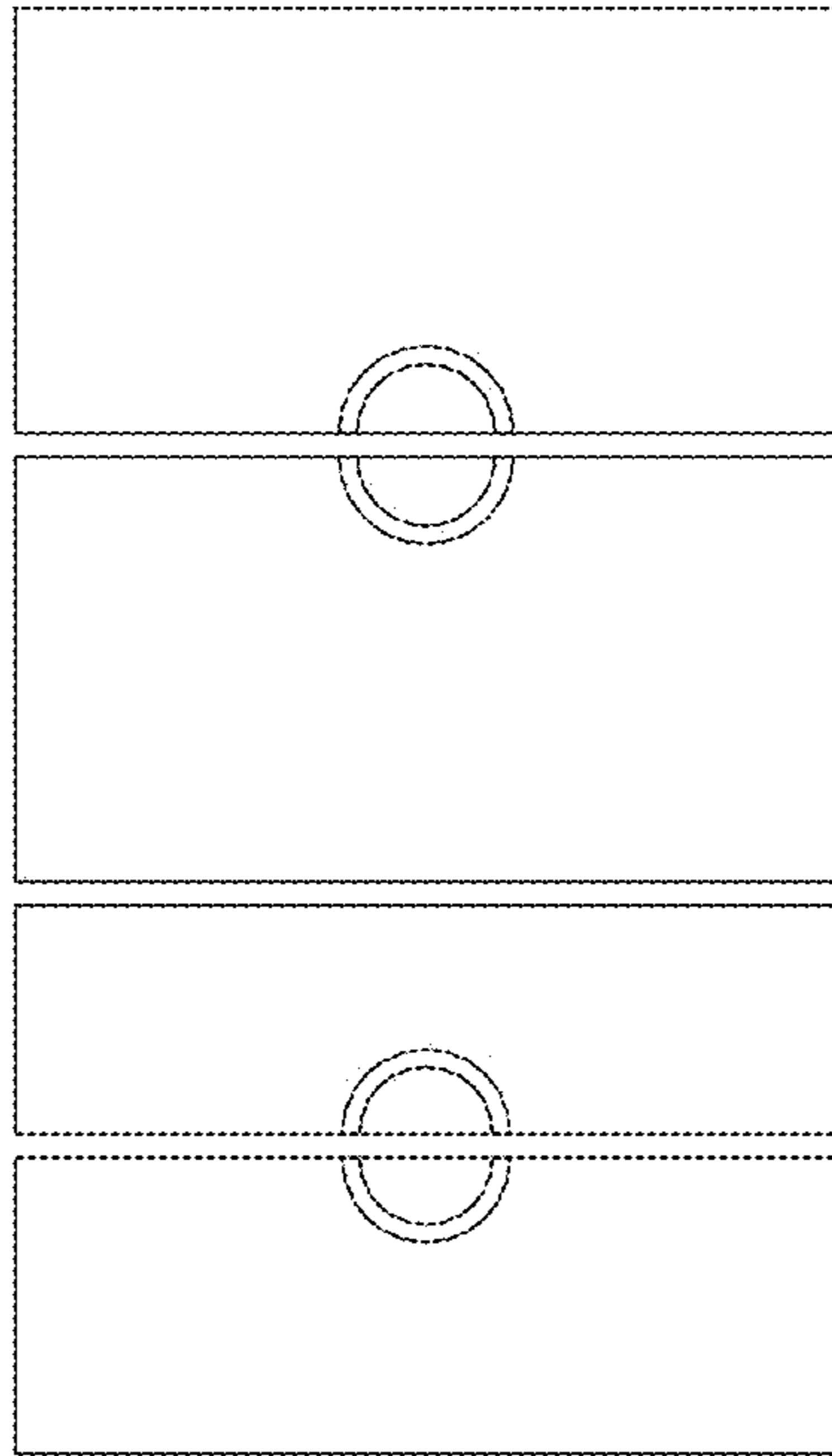


FIG. 7

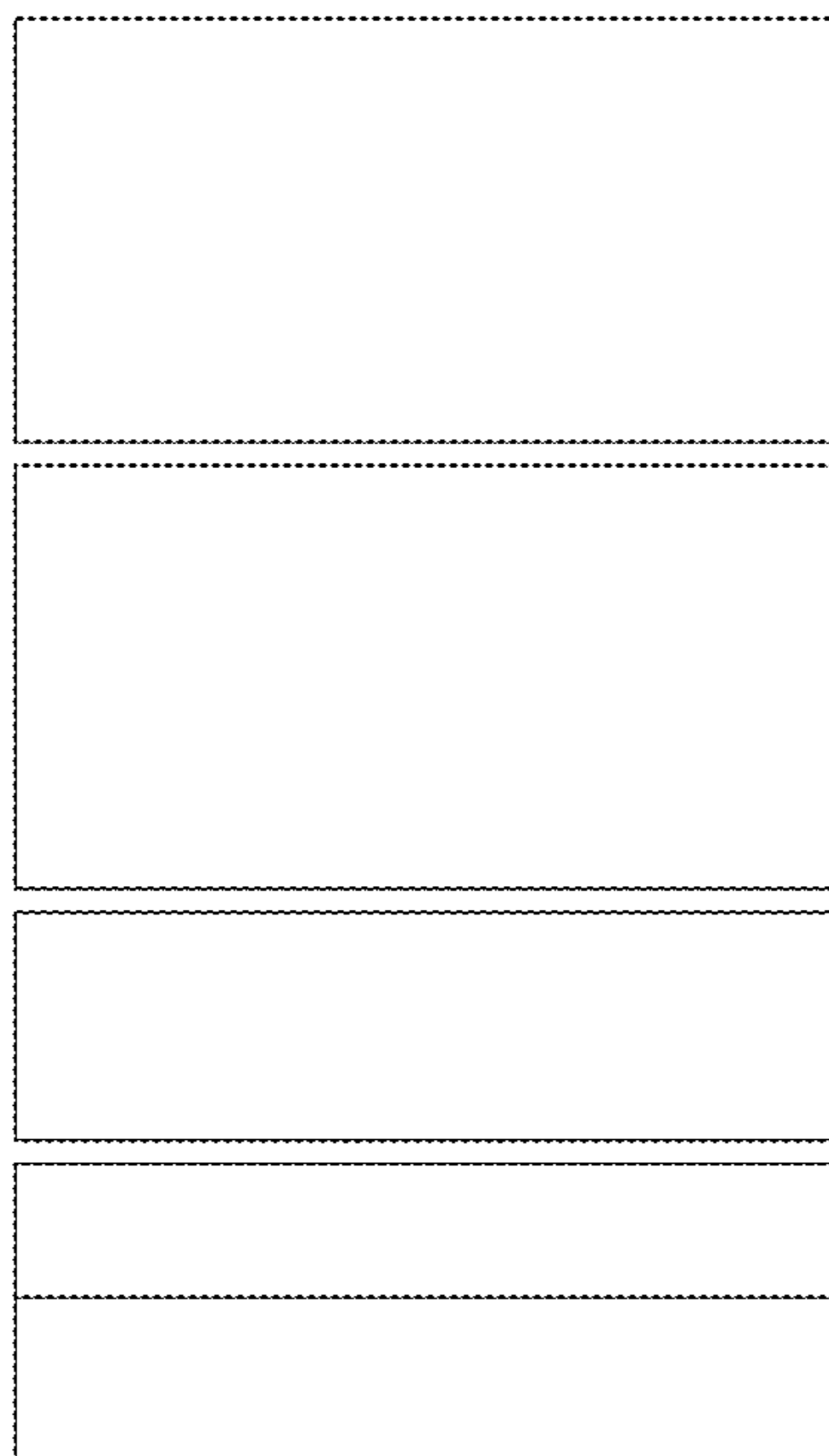


FIG. 8

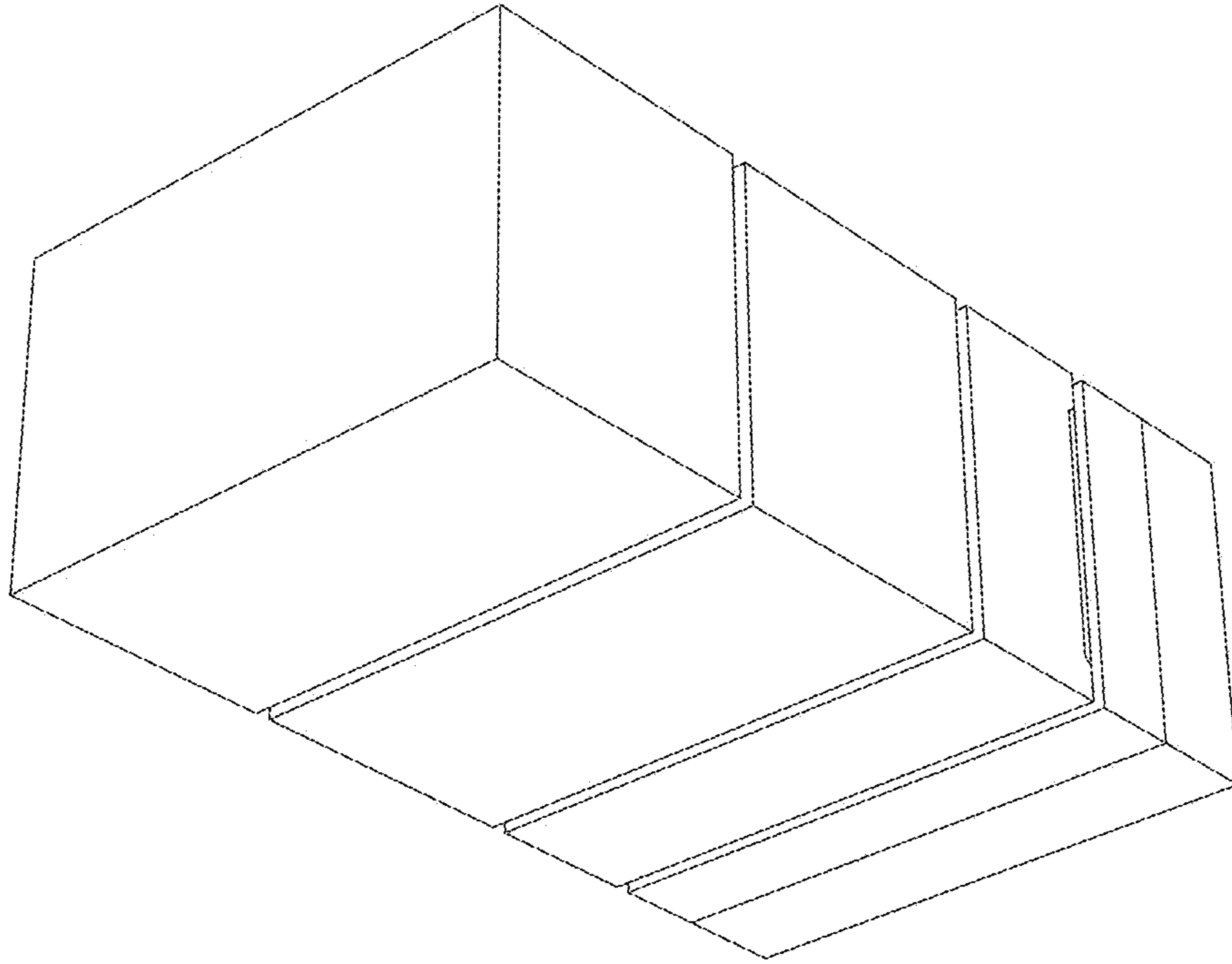


FIG. 9

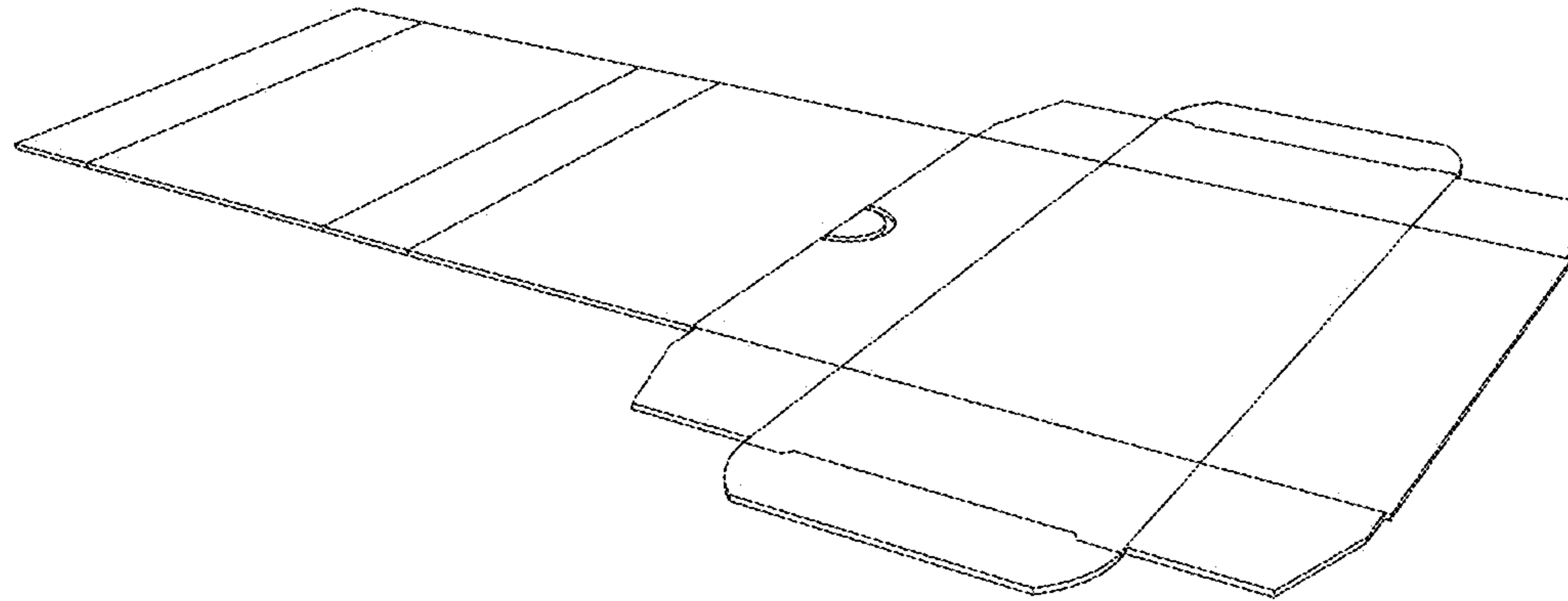


FIG. 10

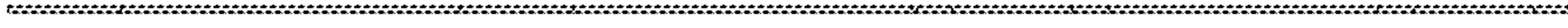


FIG. 11

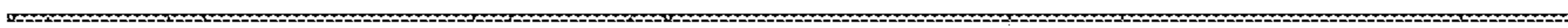


FIG. 12

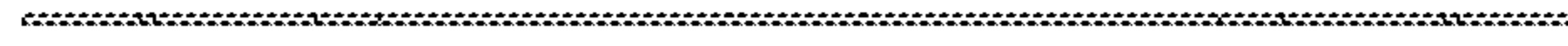


FIG. 13

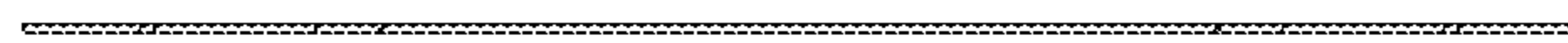


FIG. 14

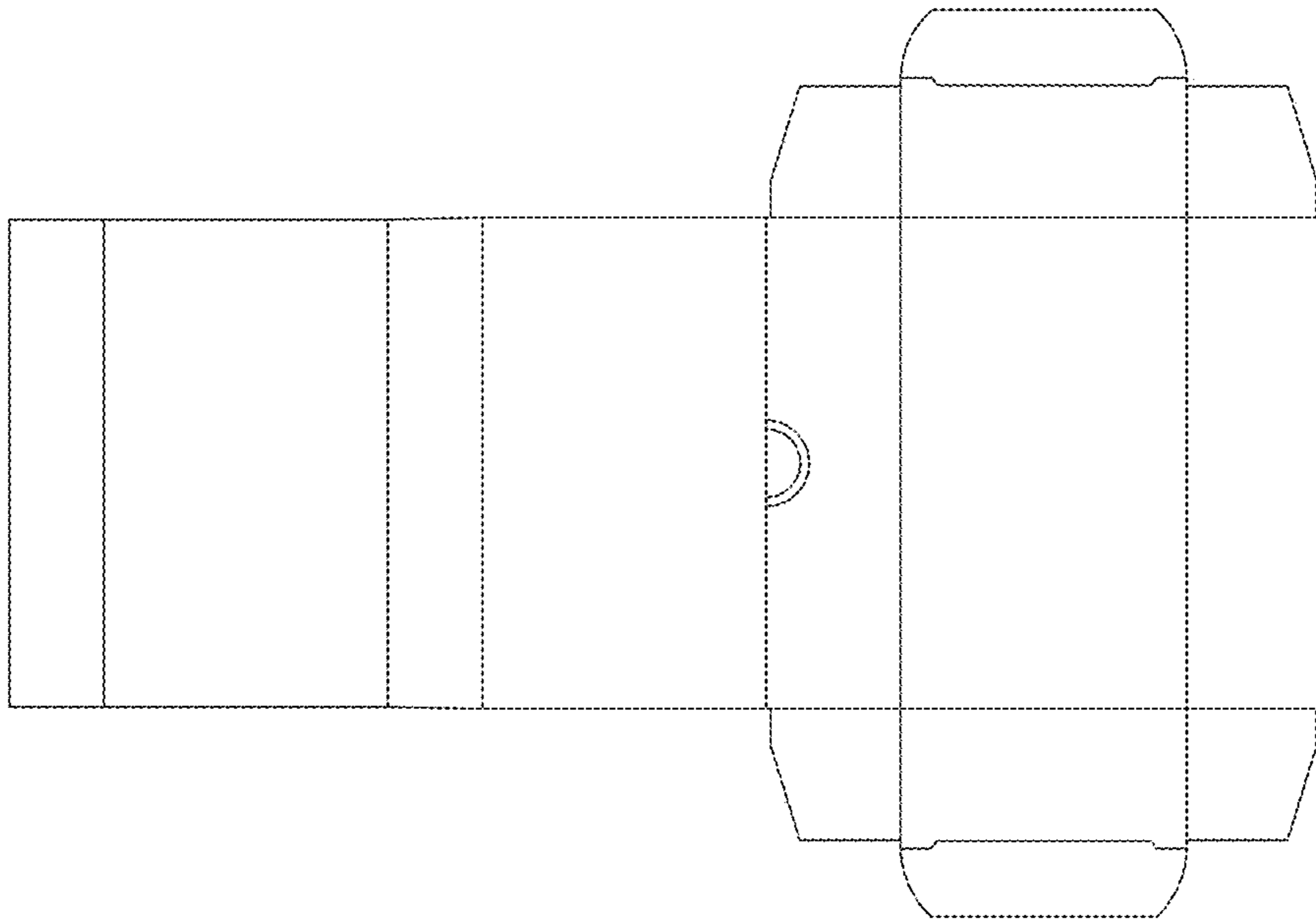


FIG. 15

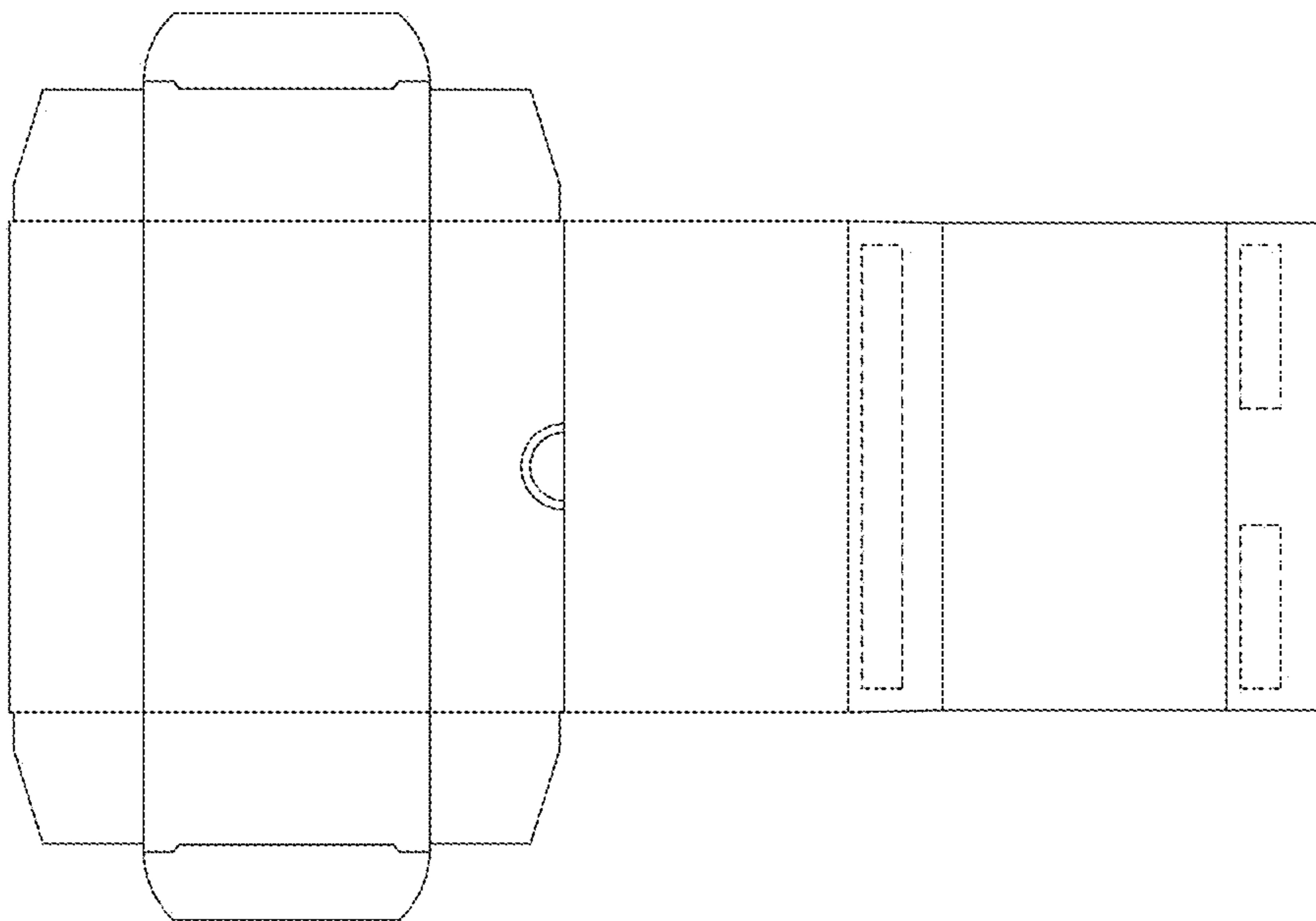


FIG. 16

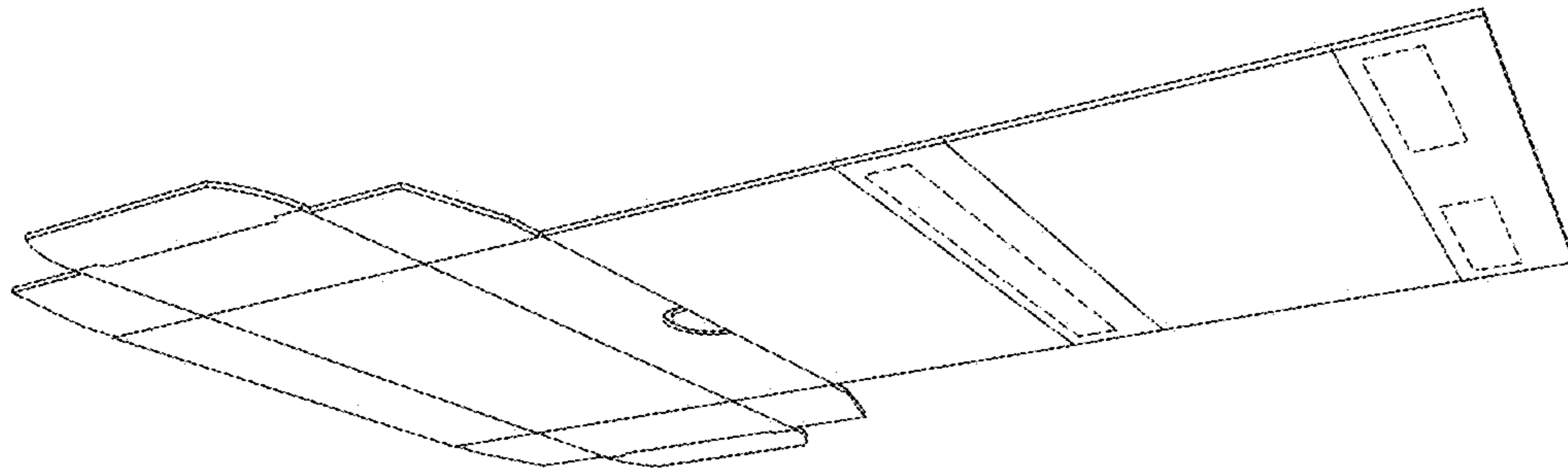


FIG. 17

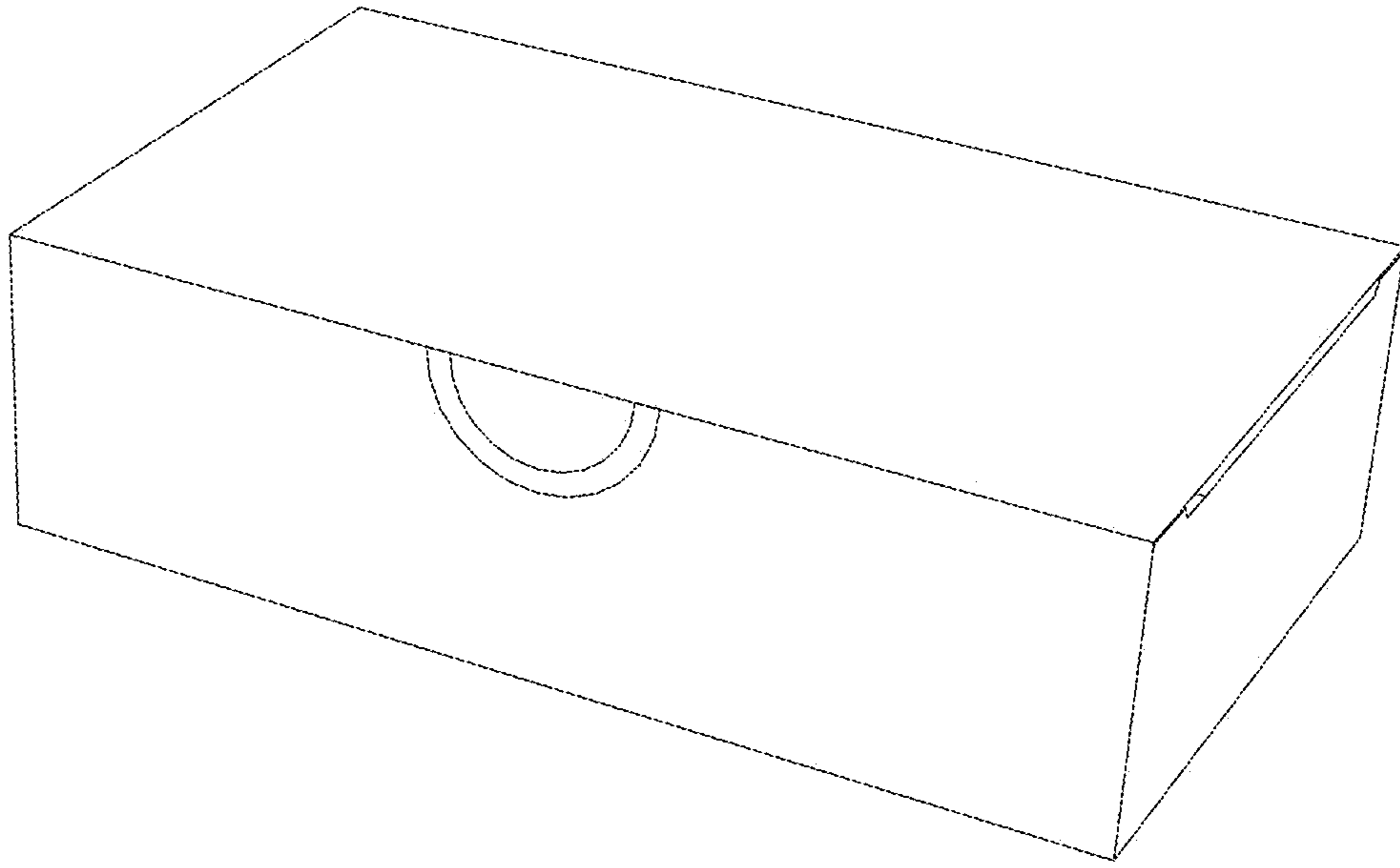


FIG. 18

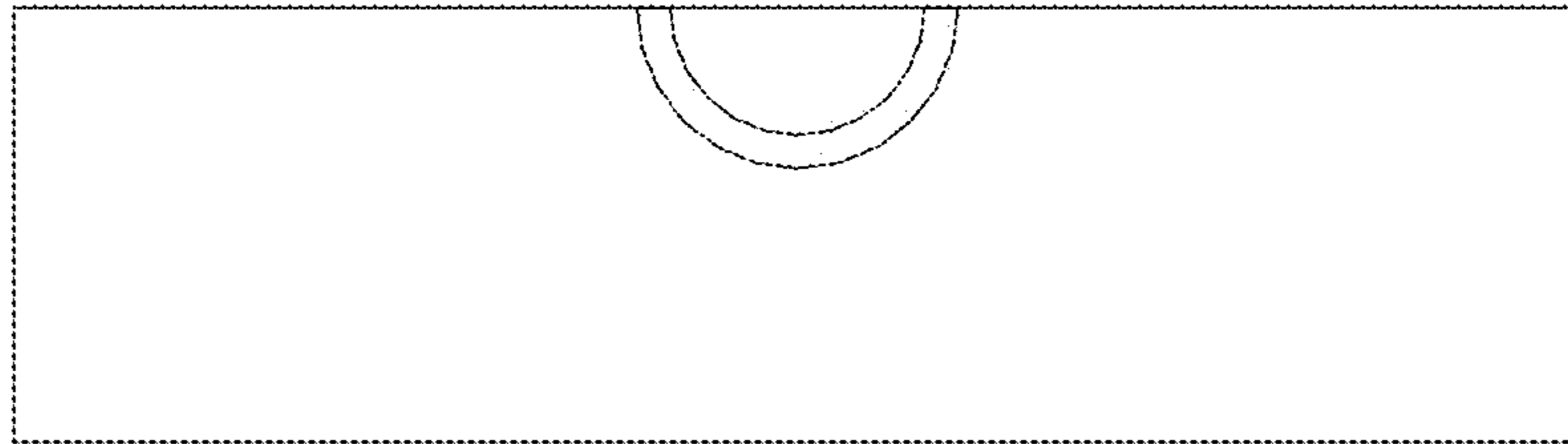


FIG. 19

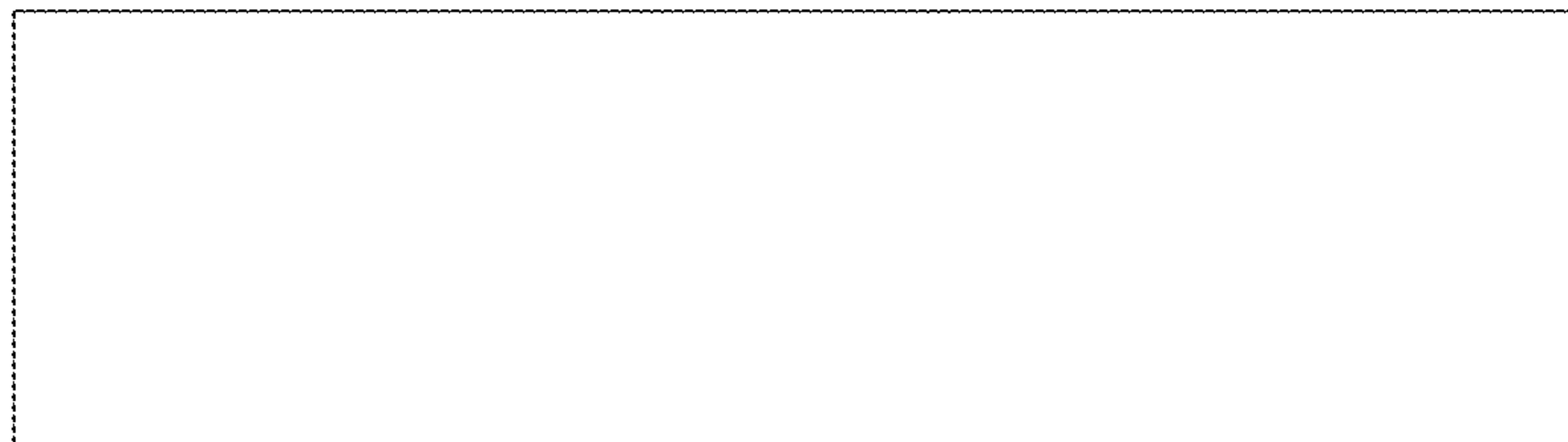


FIG. 20

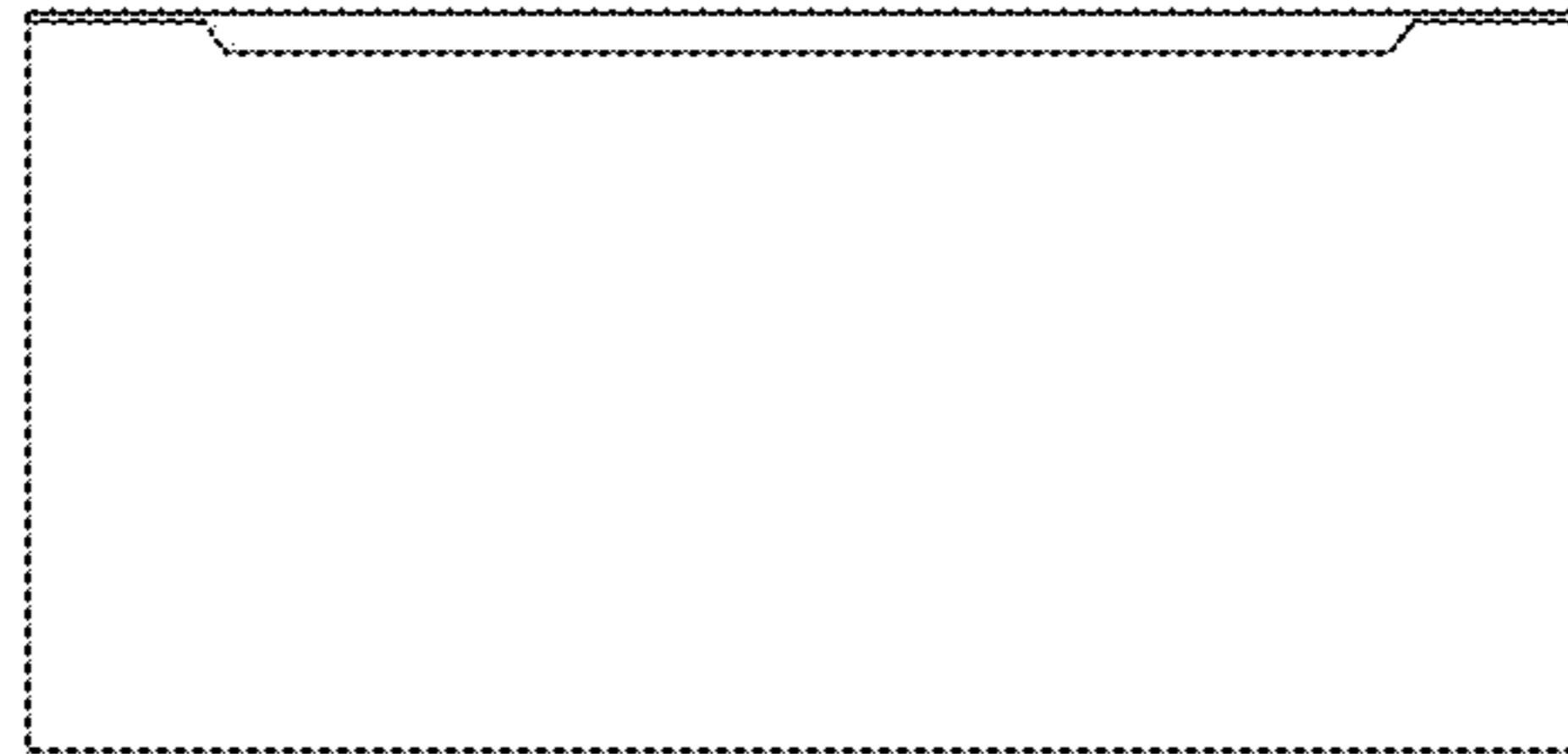


FIG. 21

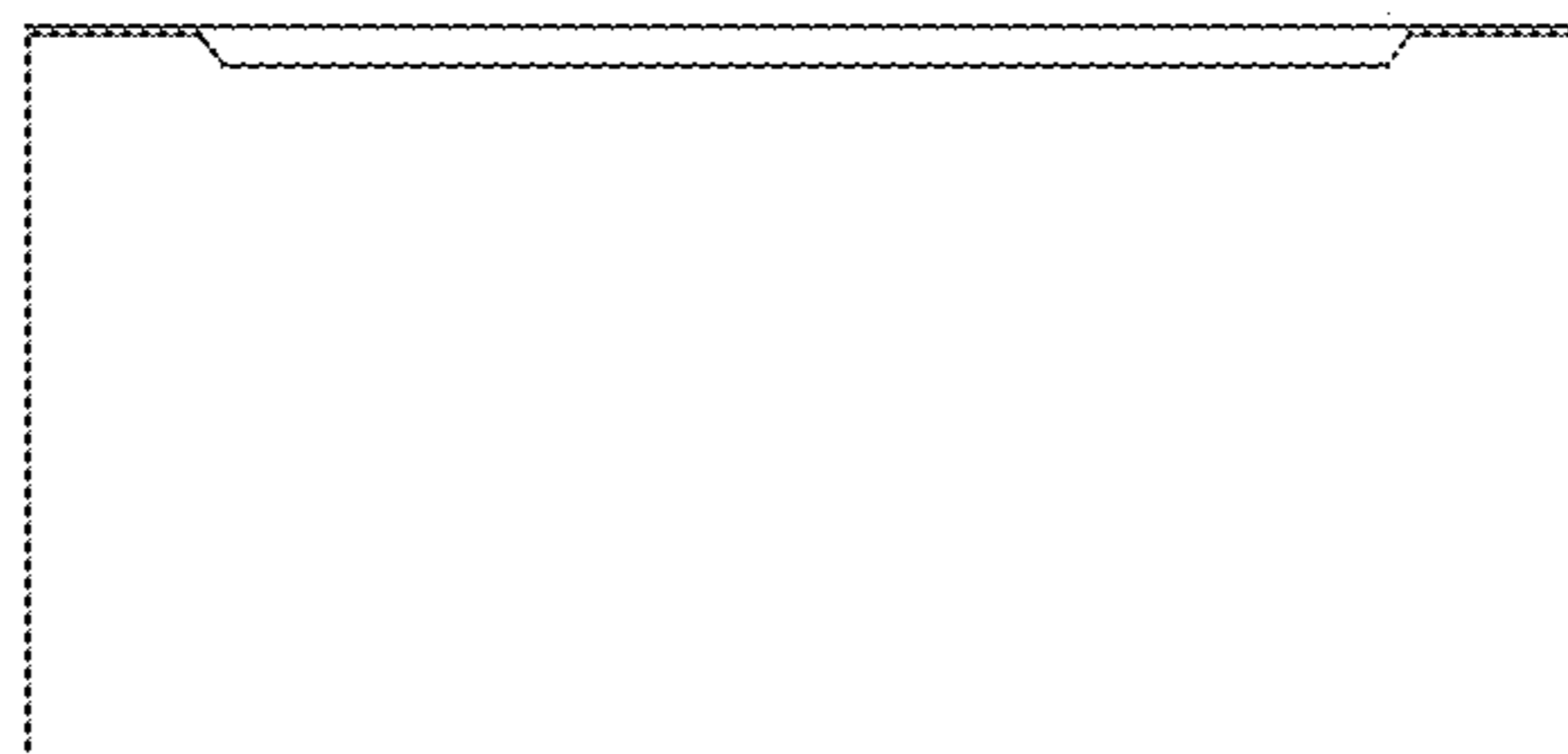


FIG. 22

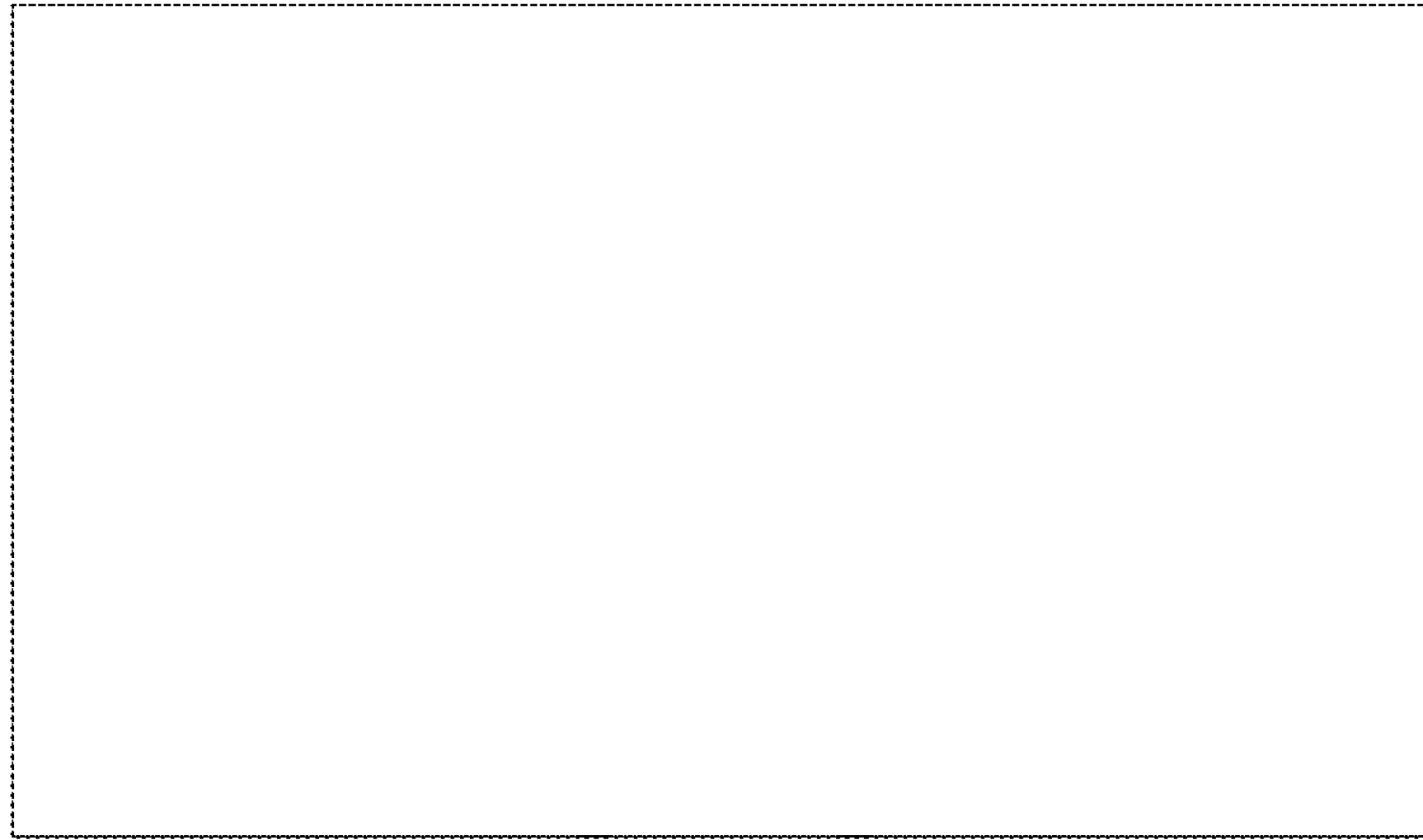


FIG. 23



FIG. 24

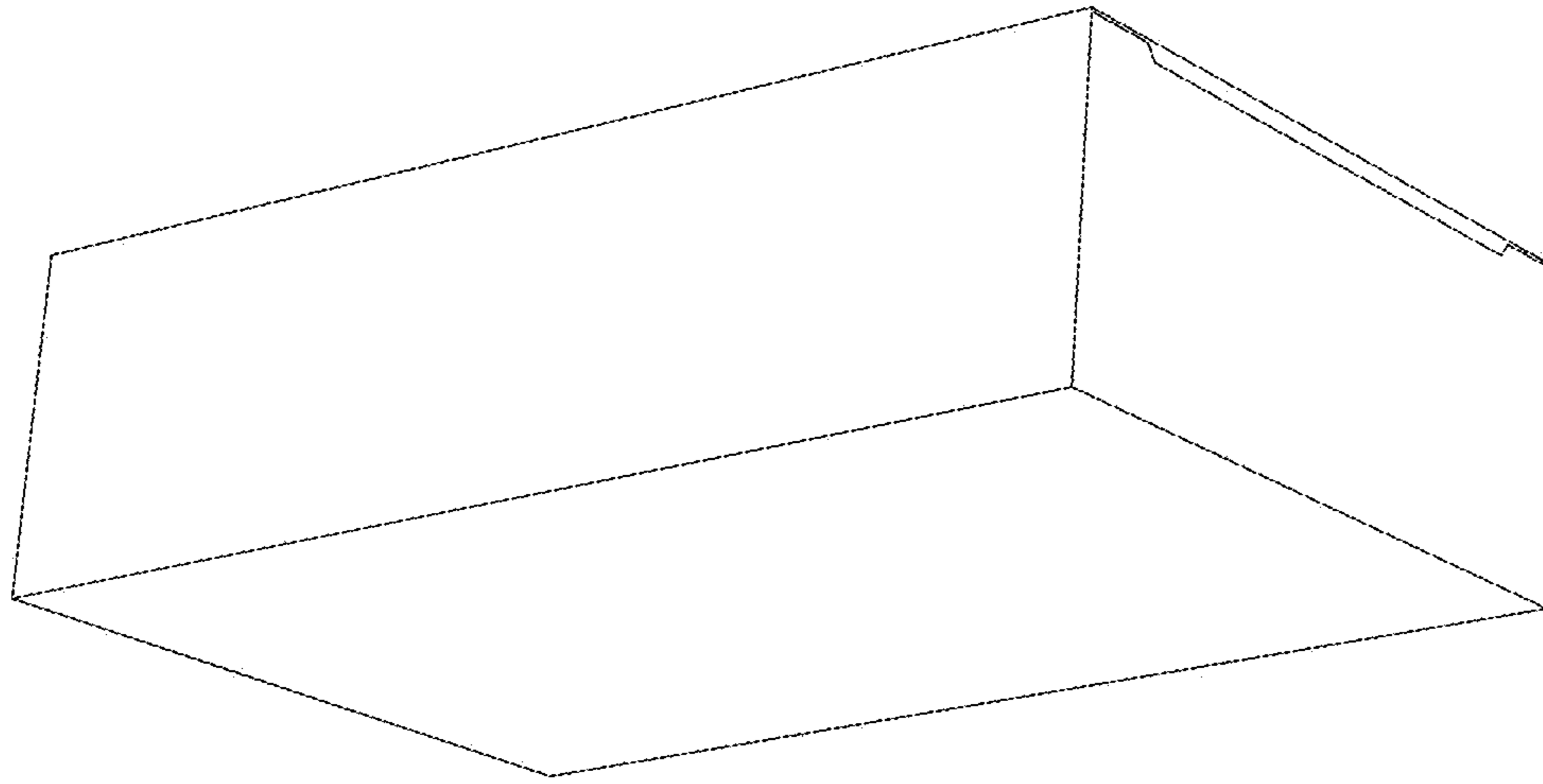


FIG. 25

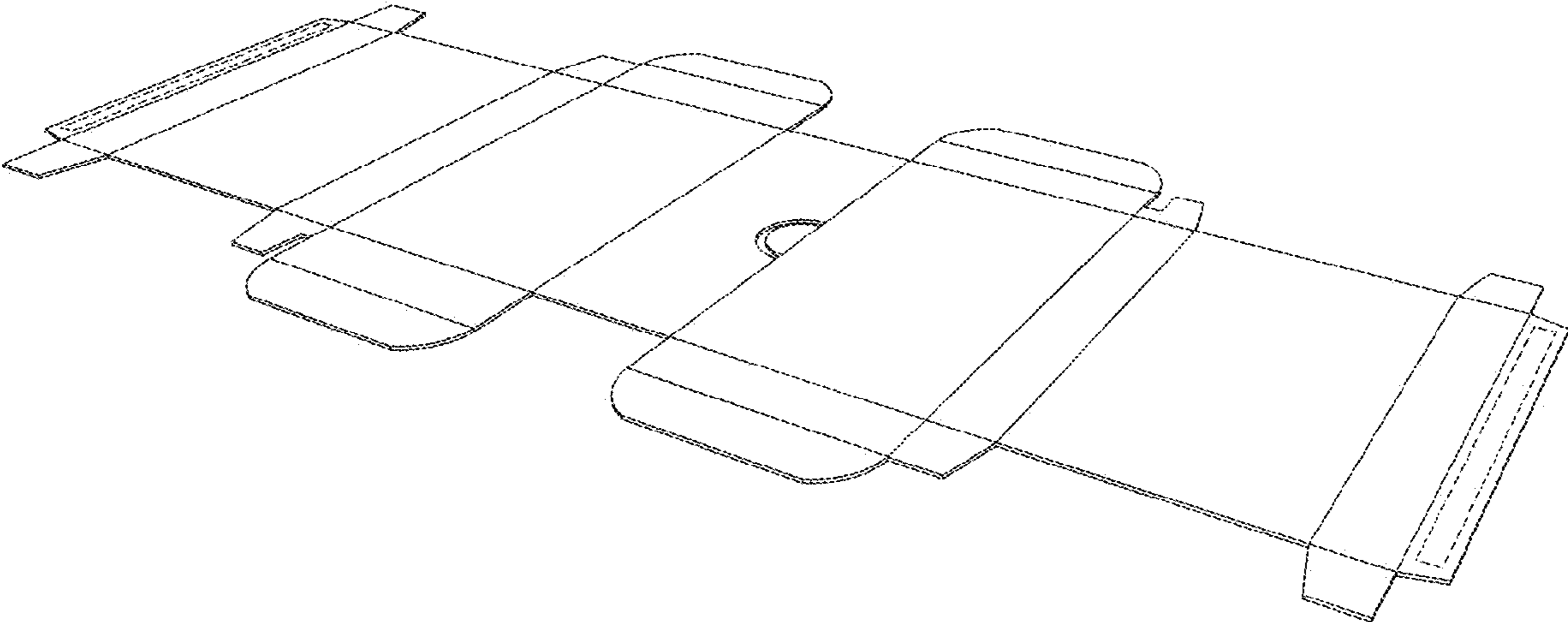


FIG. 26

FIG. 27

FIG. 28

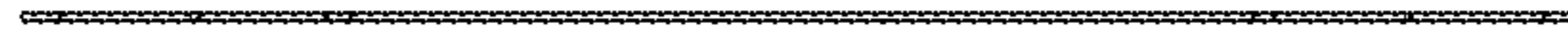


FIG. 29

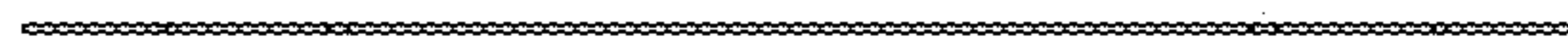


FIG. 30

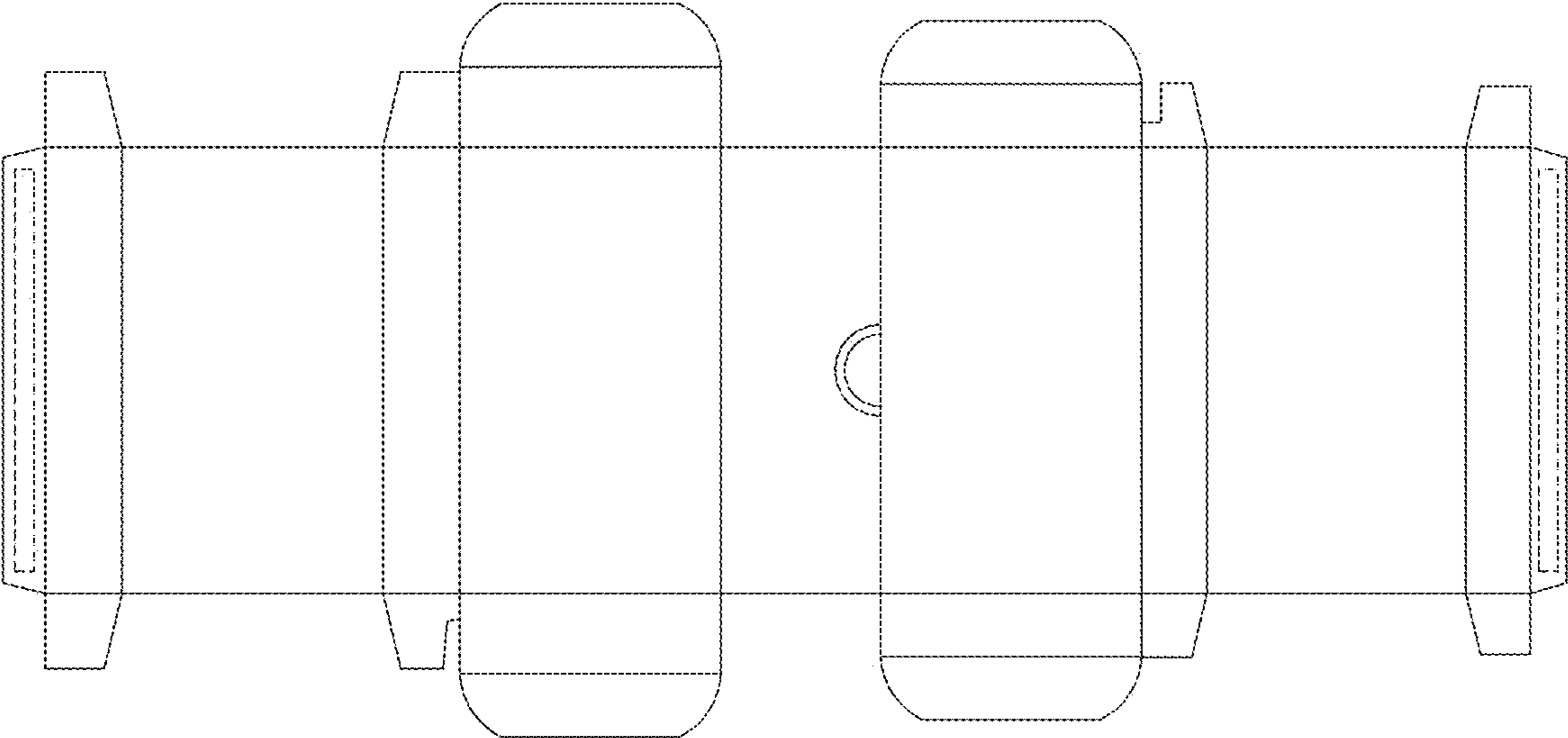


FIG. 31

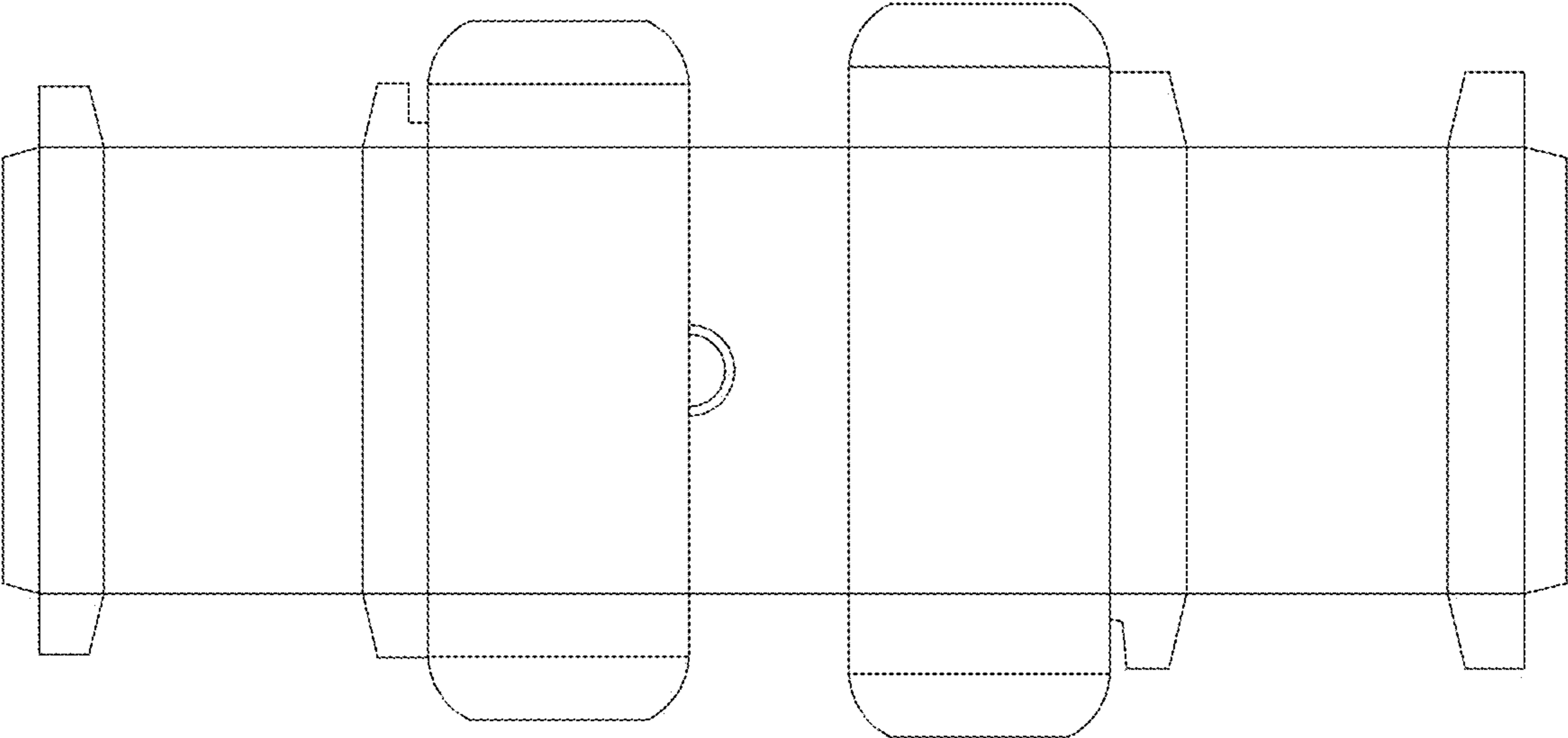


FIG. 32

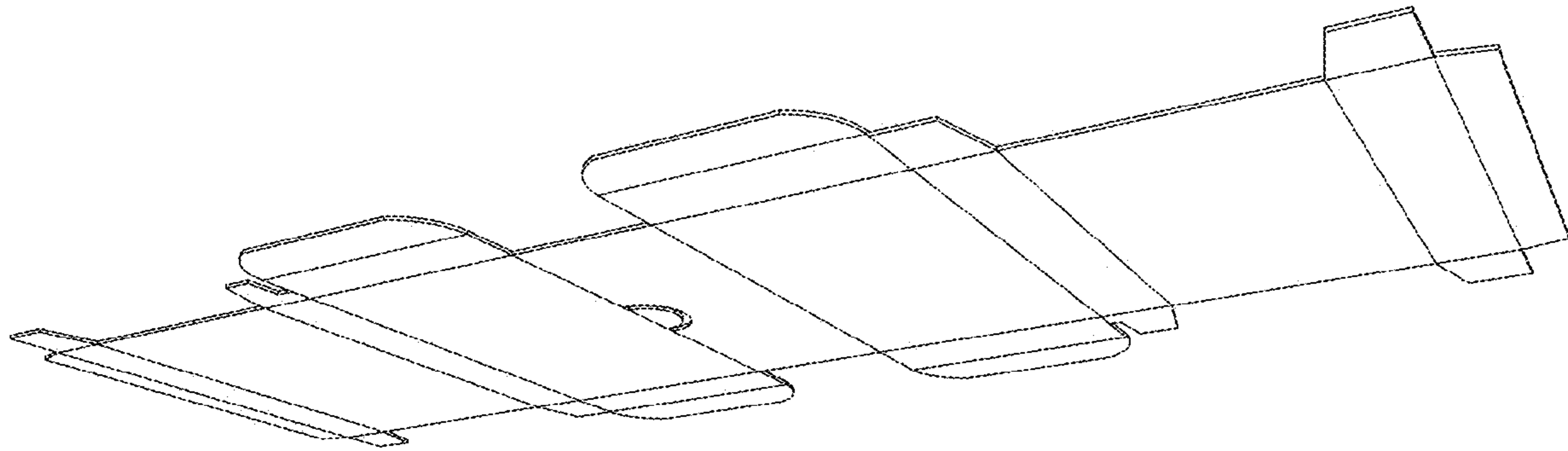


FIG. 33

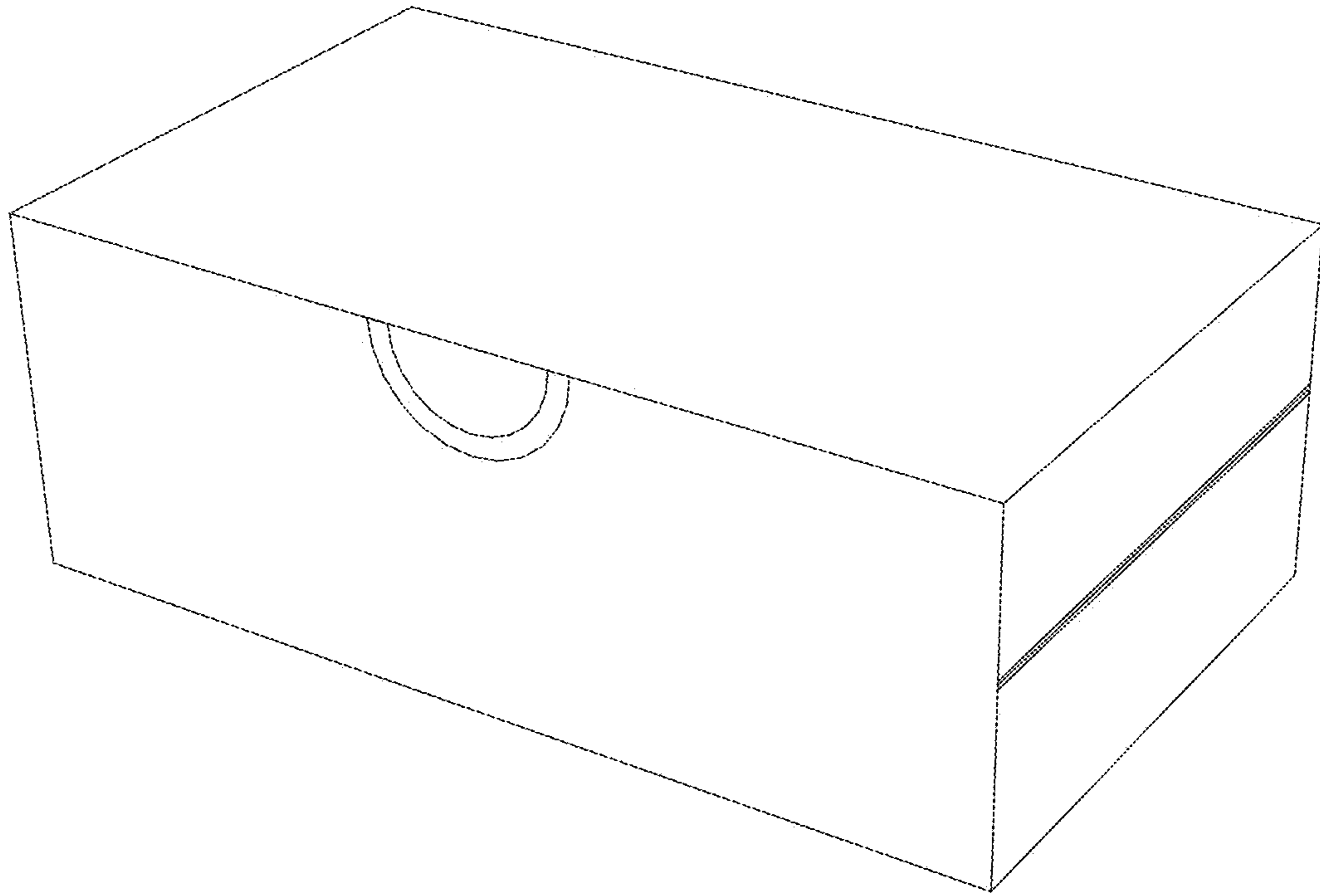


FIG. 34

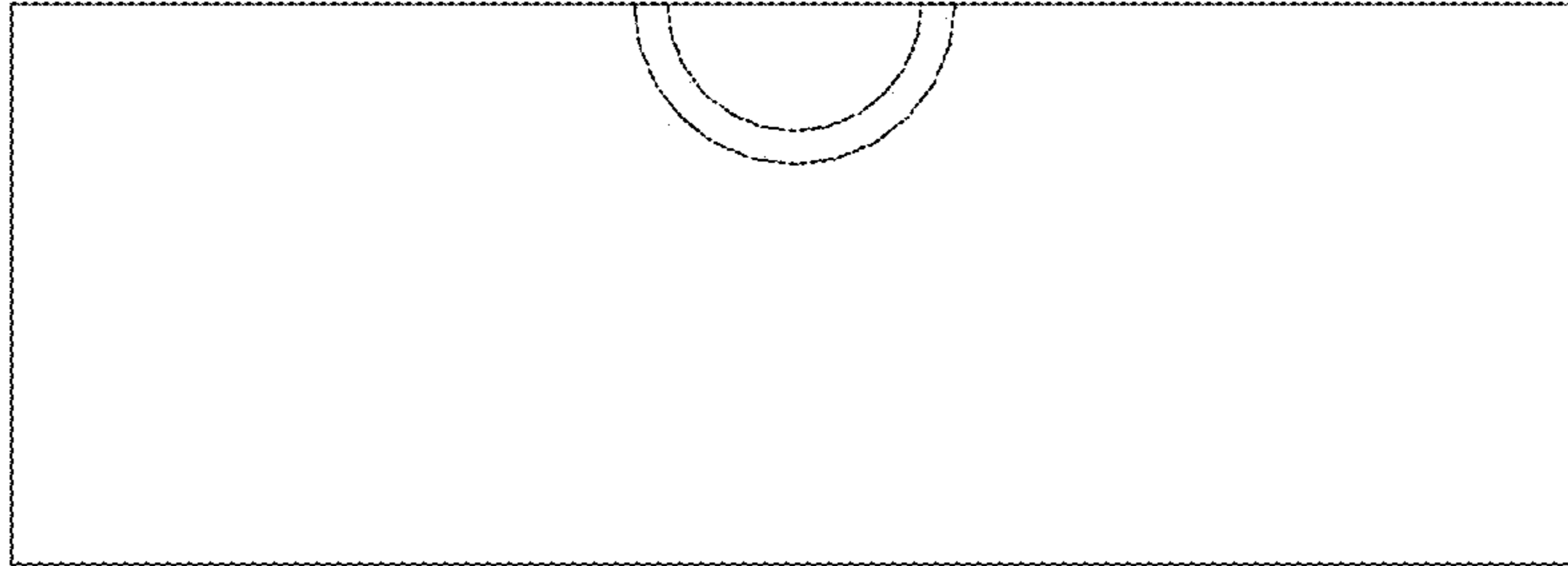


FIG. 35

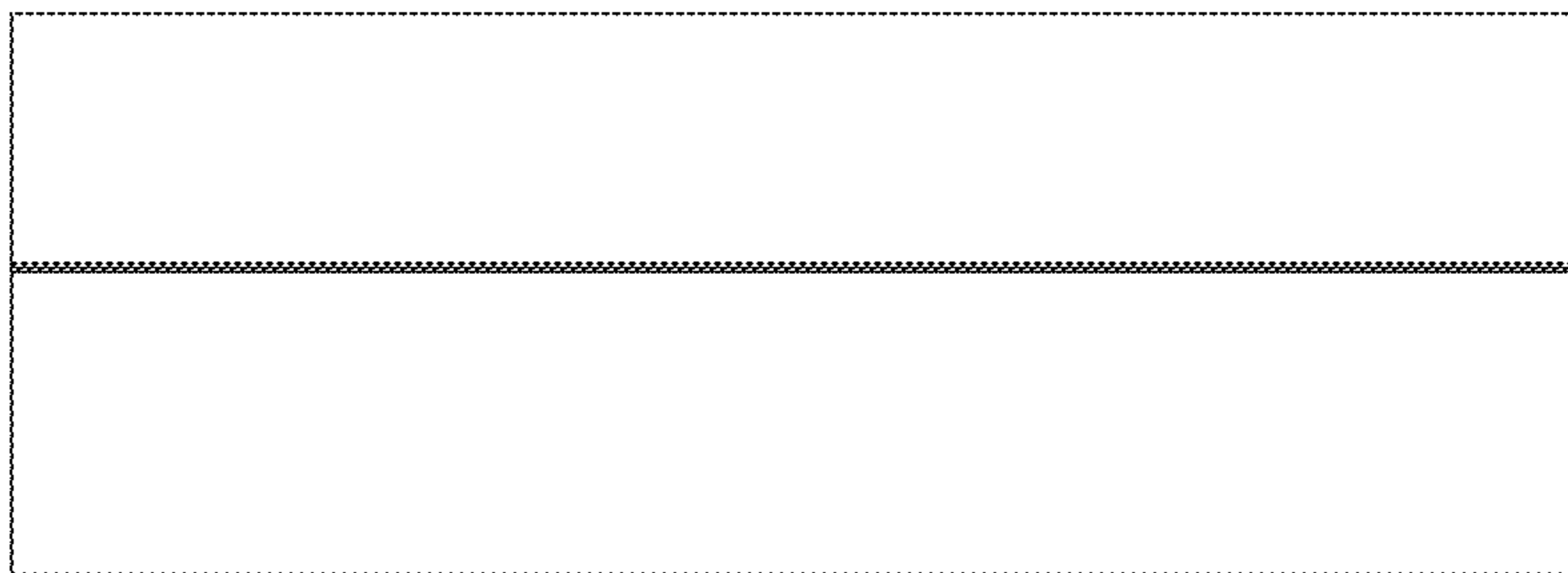


FIG. 36

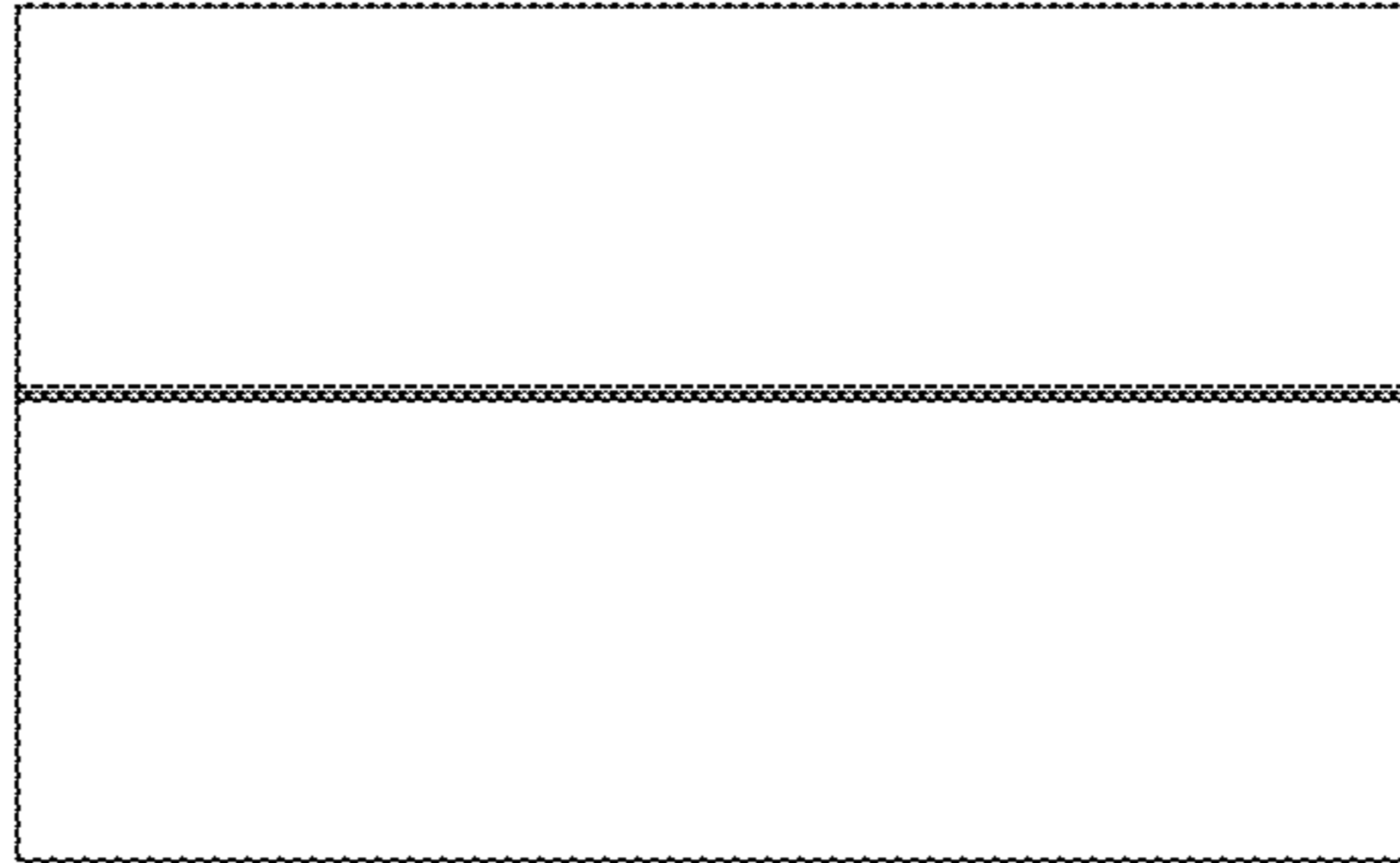


FIG. 37

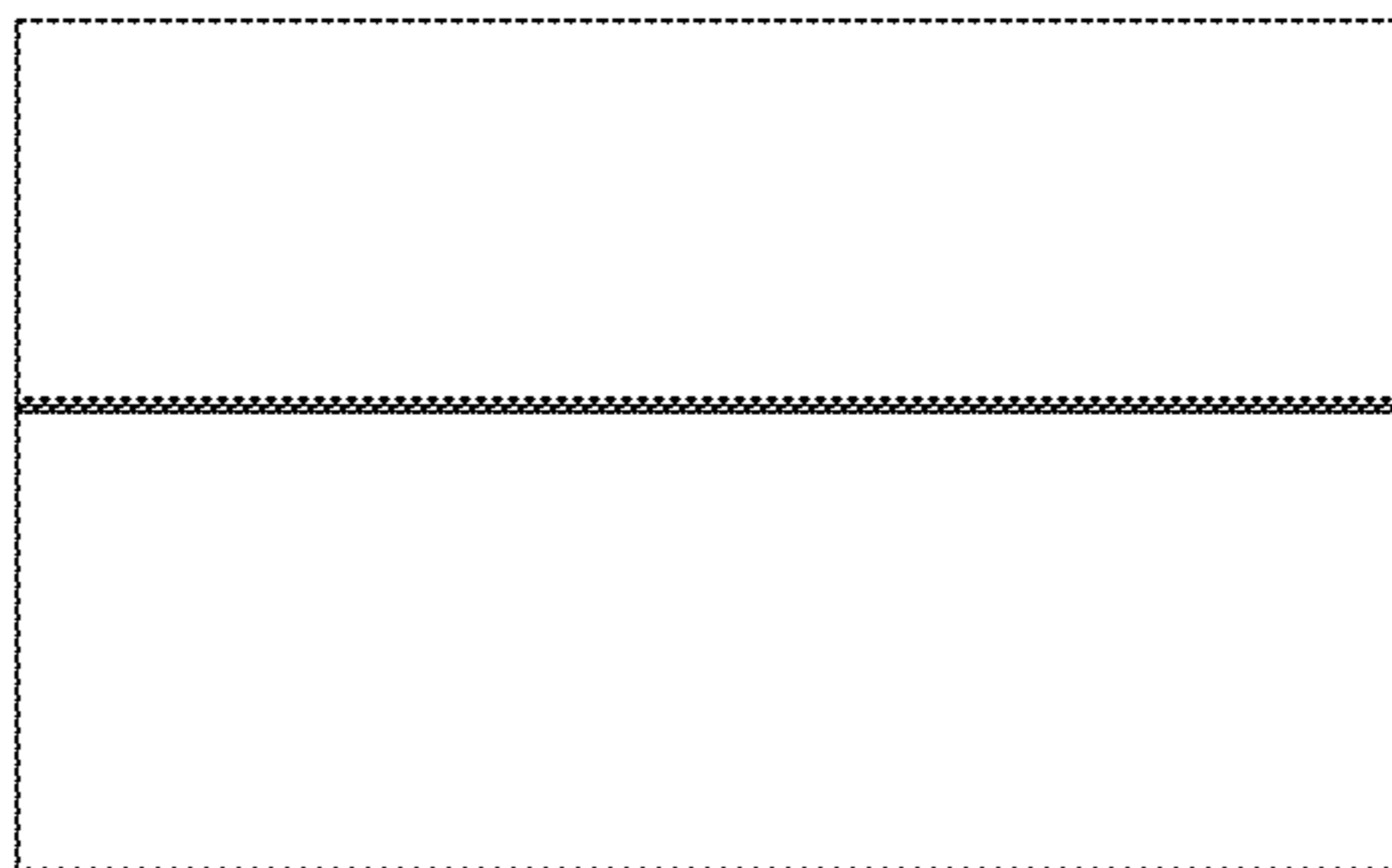


FIG. 38



FIG. 39

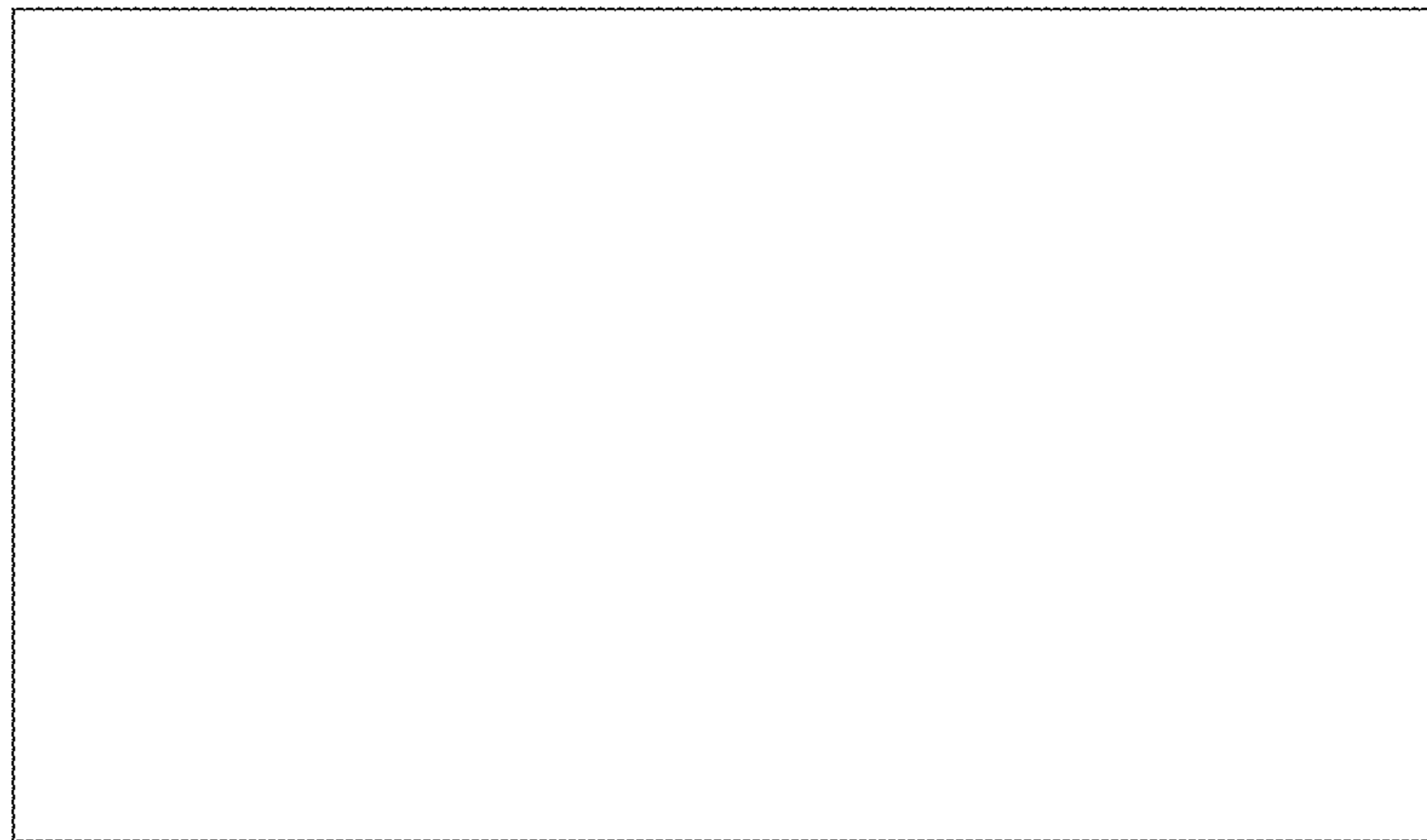


FIG. 40

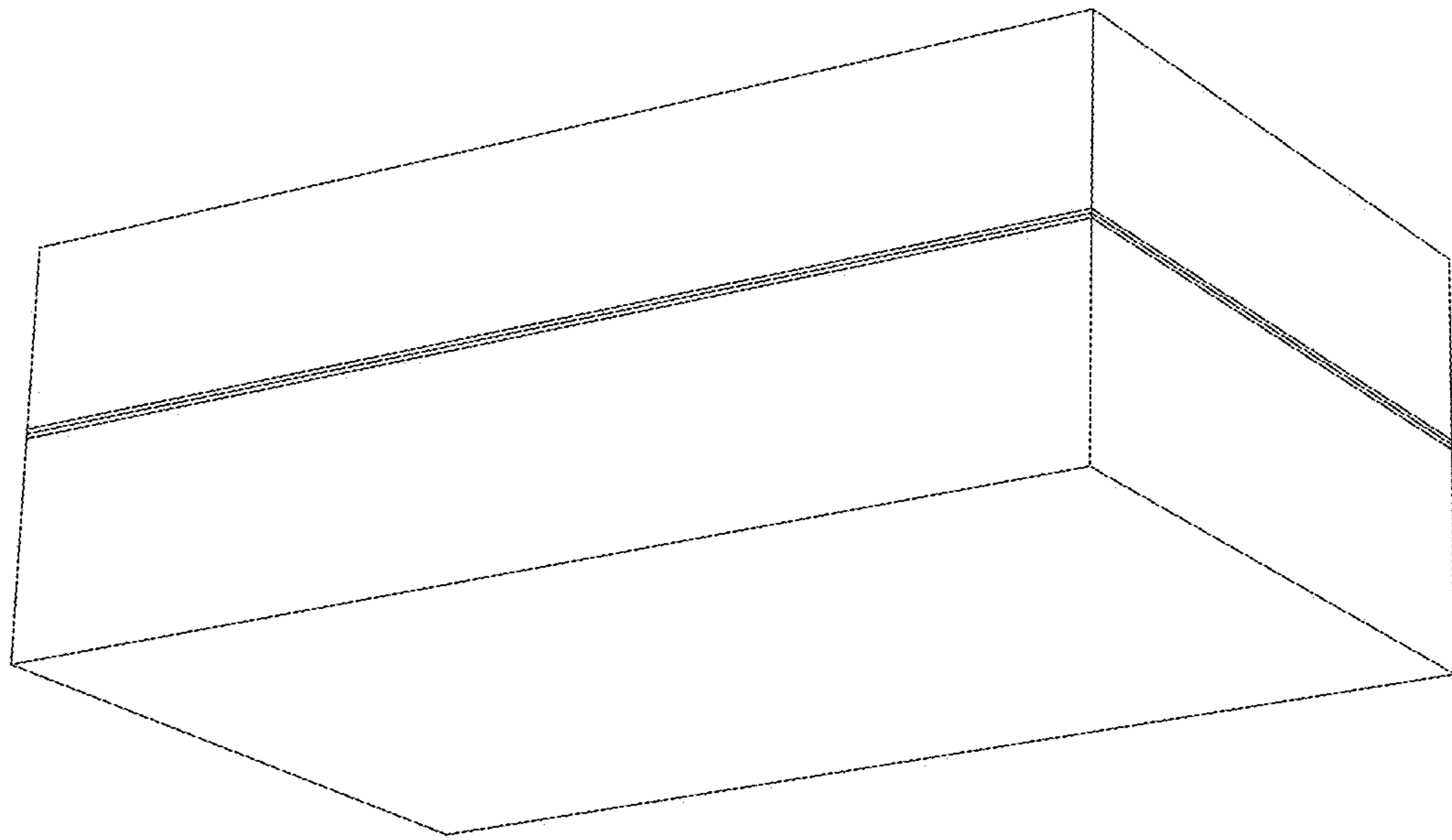


FIG. 41

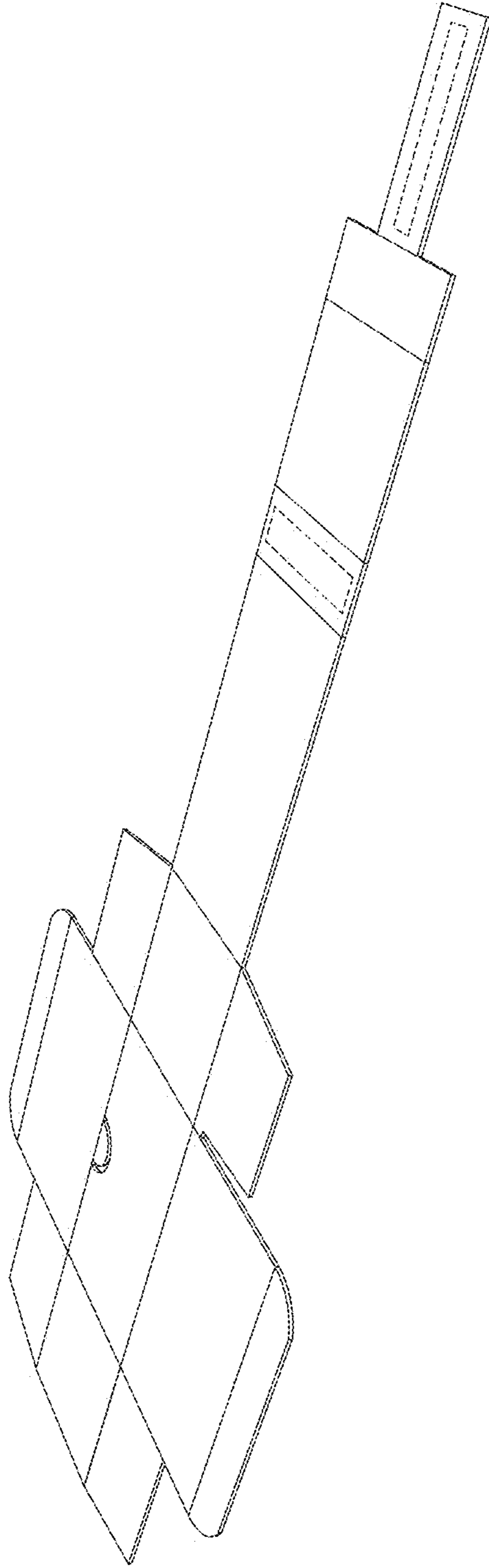


FIG. 42

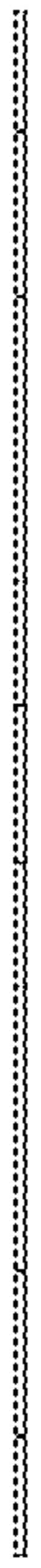


FIG. 43

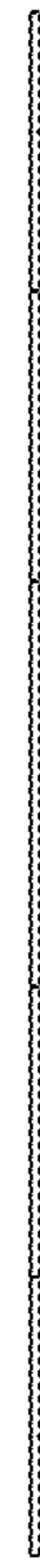


FIG. 44



FIG. 45



FIG. 46

FIG. 47

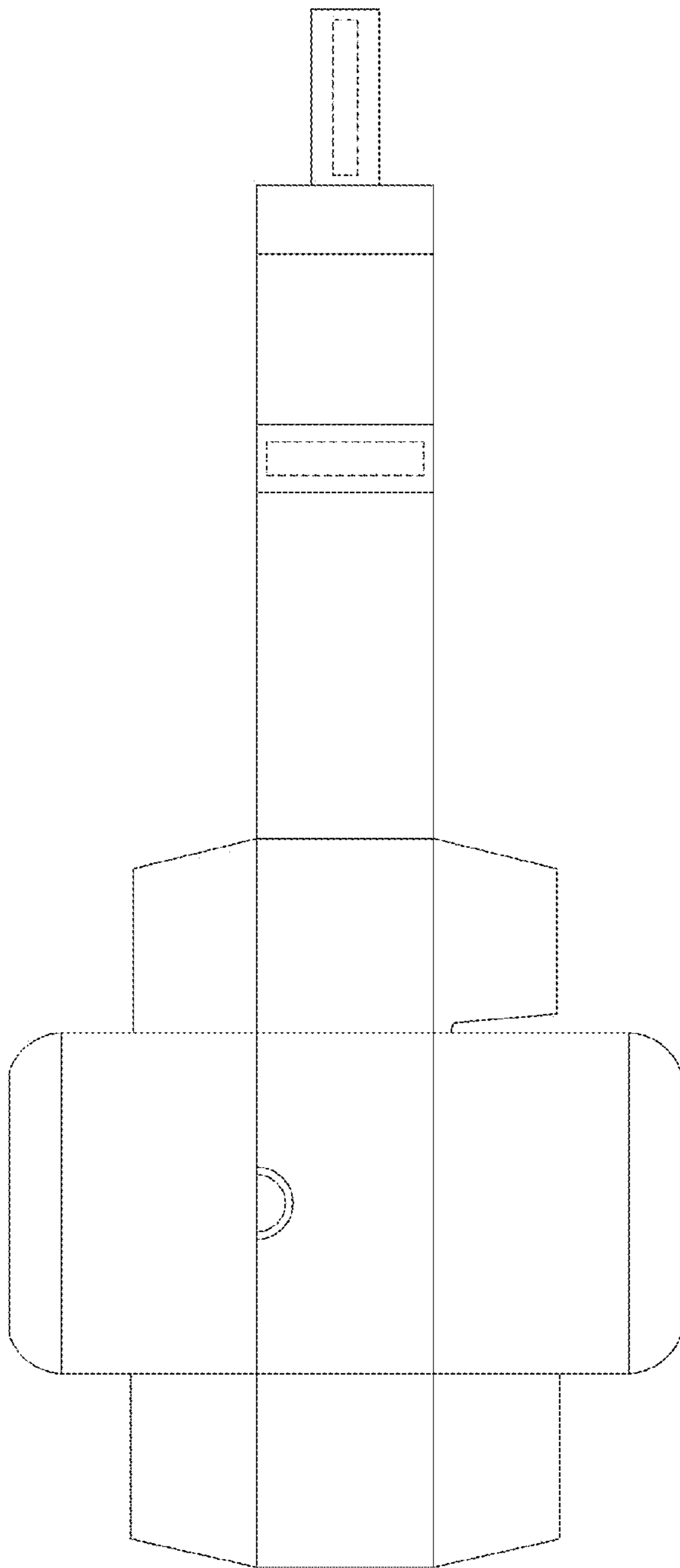
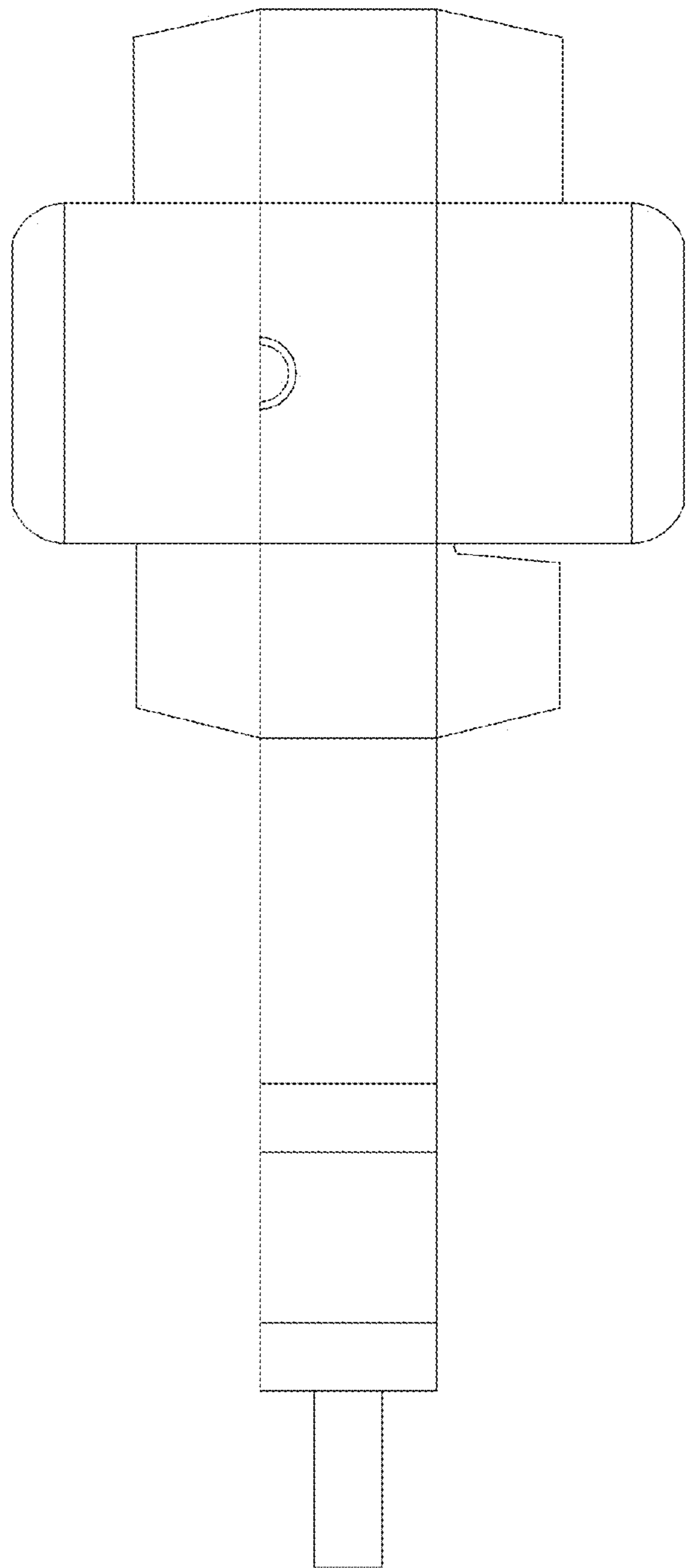


FIG. 48



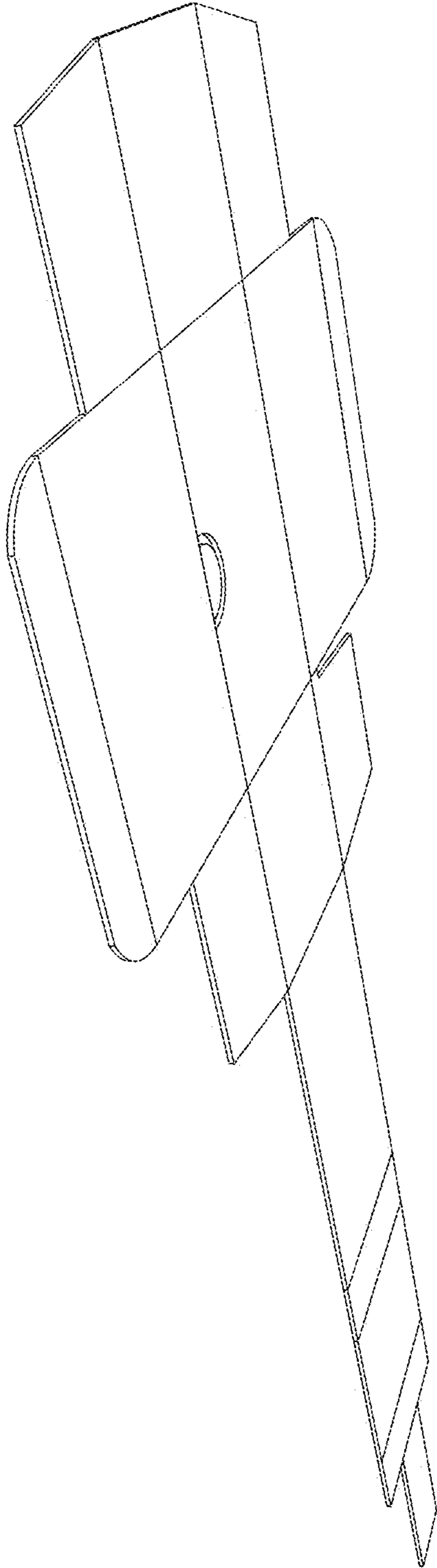


FIG. 49

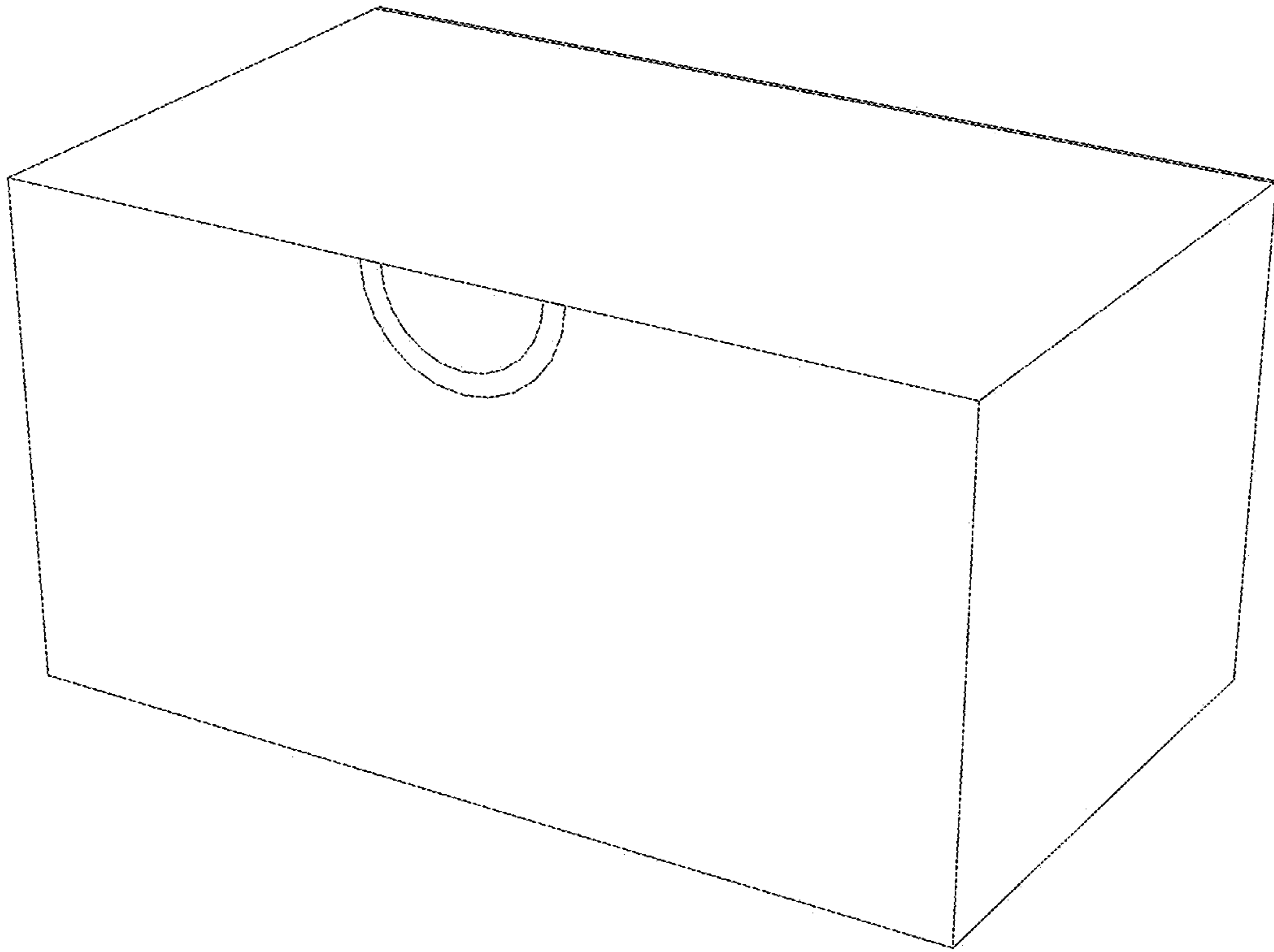


FIG. 50

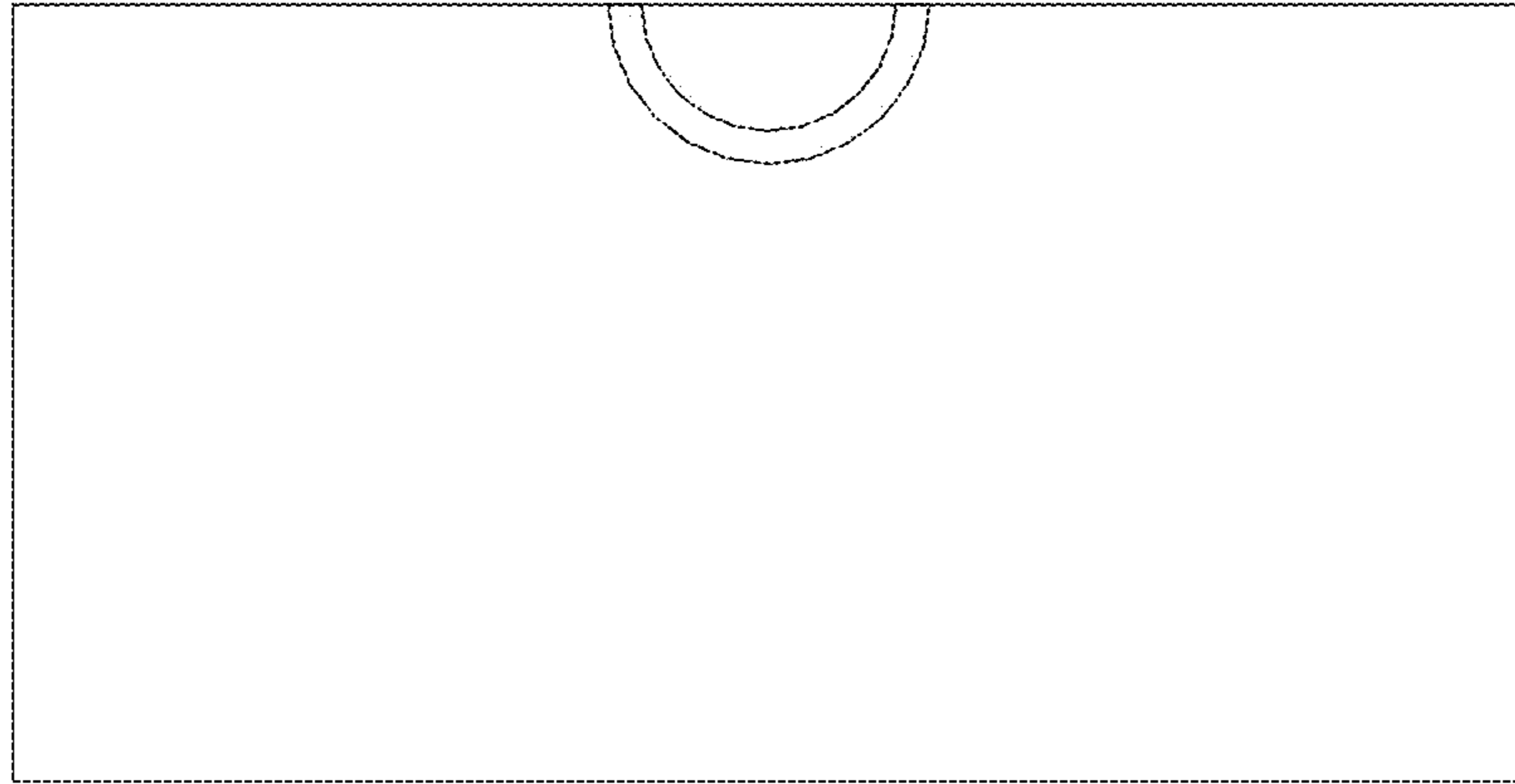


FIG. 51



FIG. 52

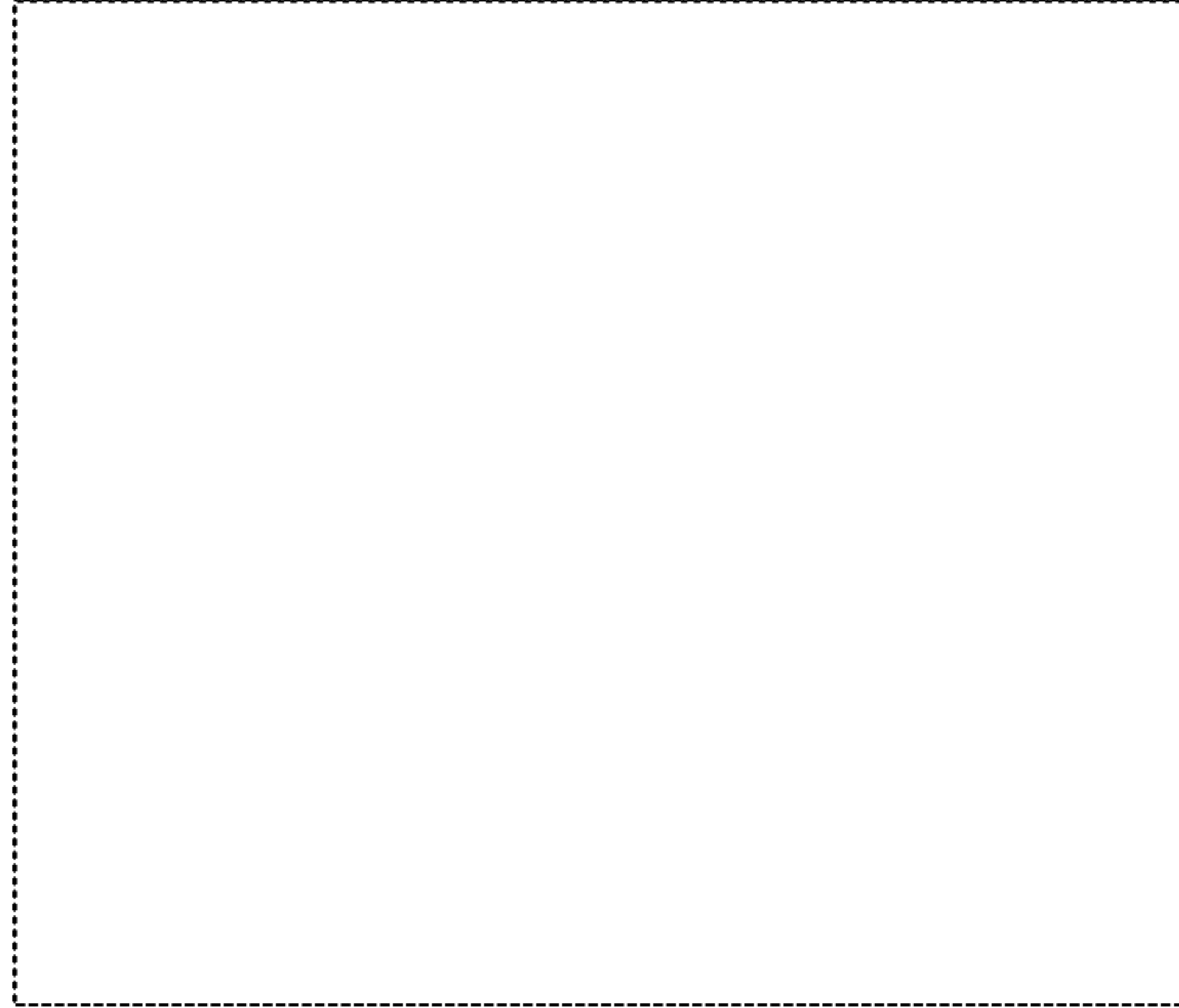


FIG. 53



FIG. 54

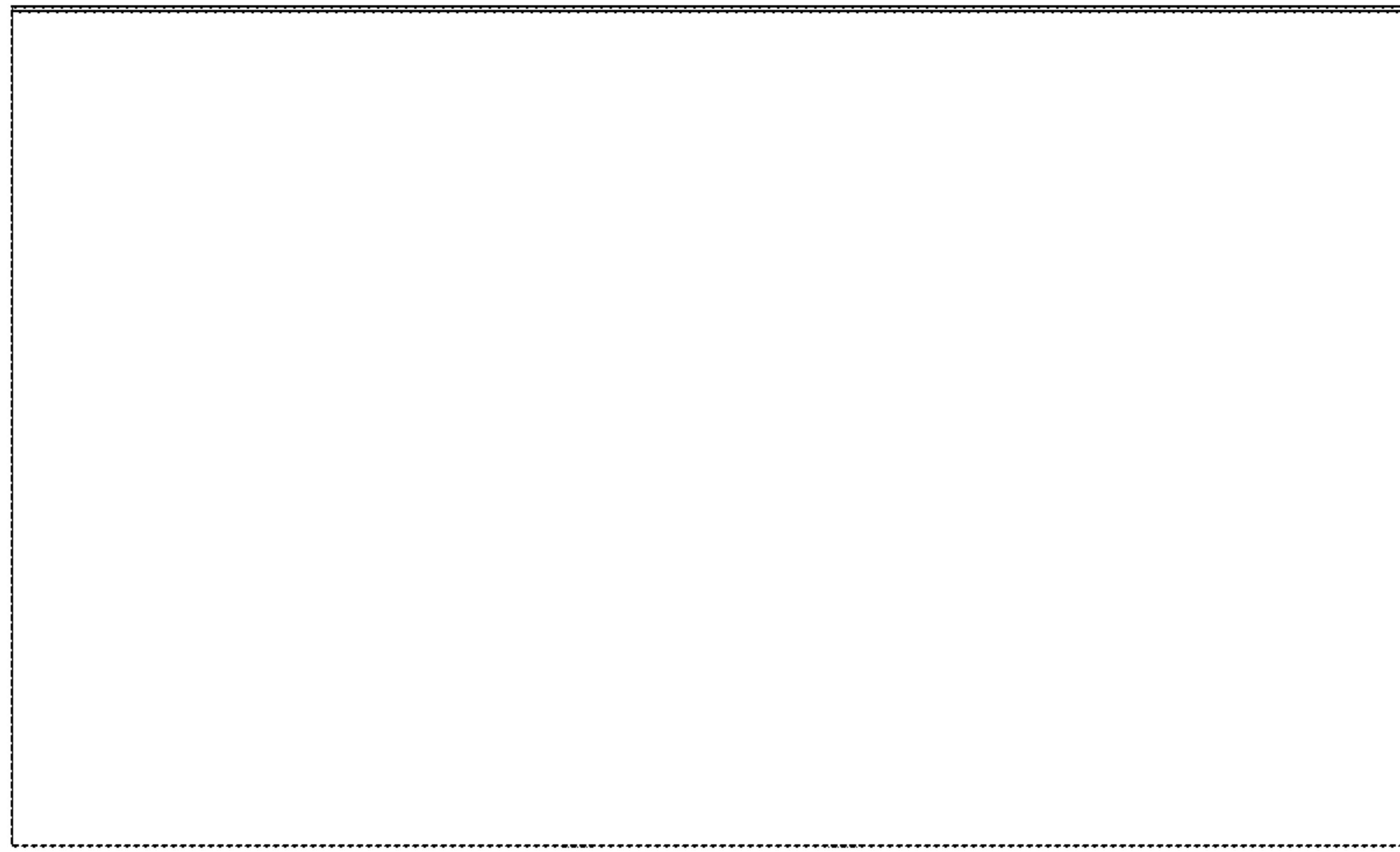


FIG. 55

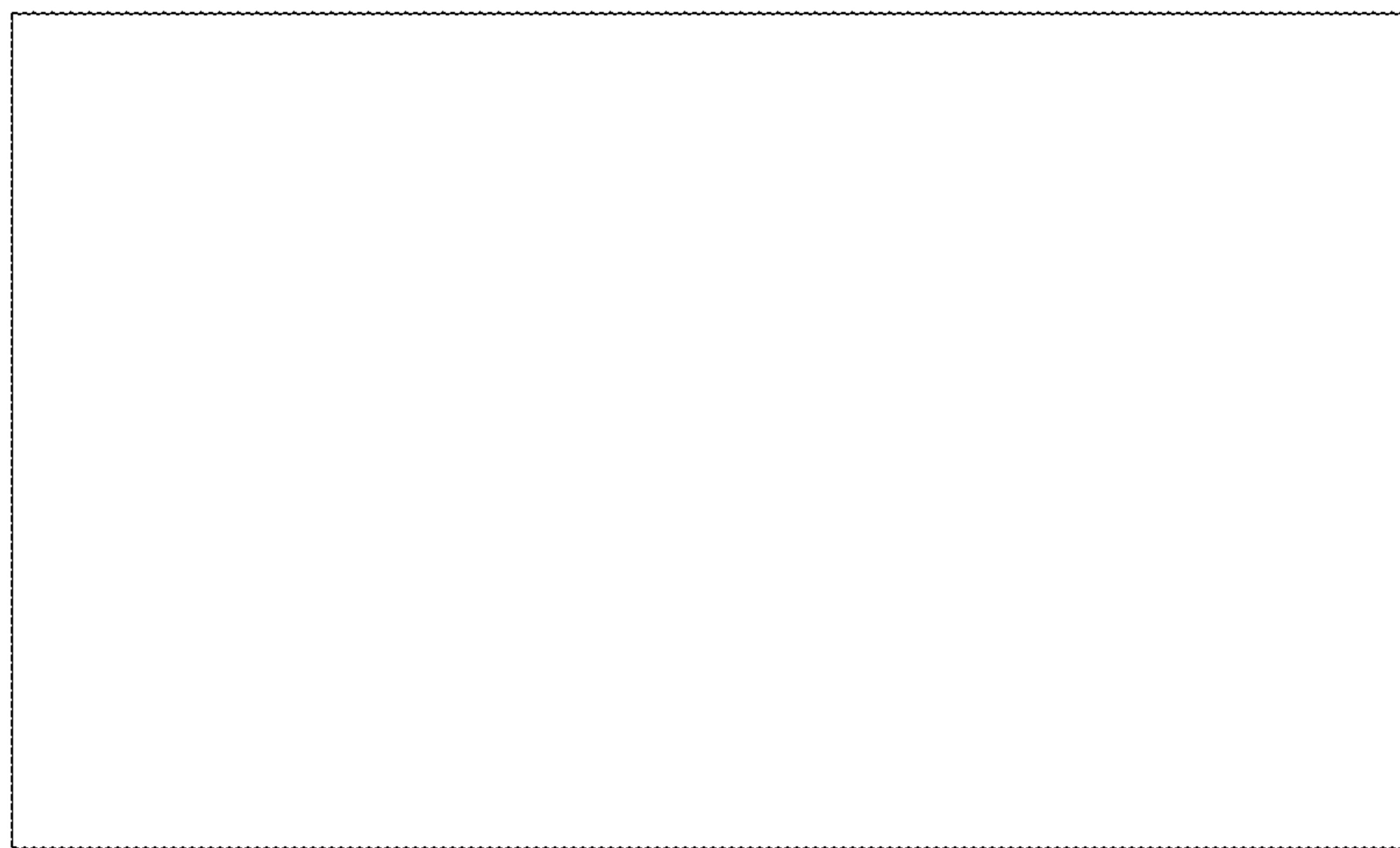


FIG. 56

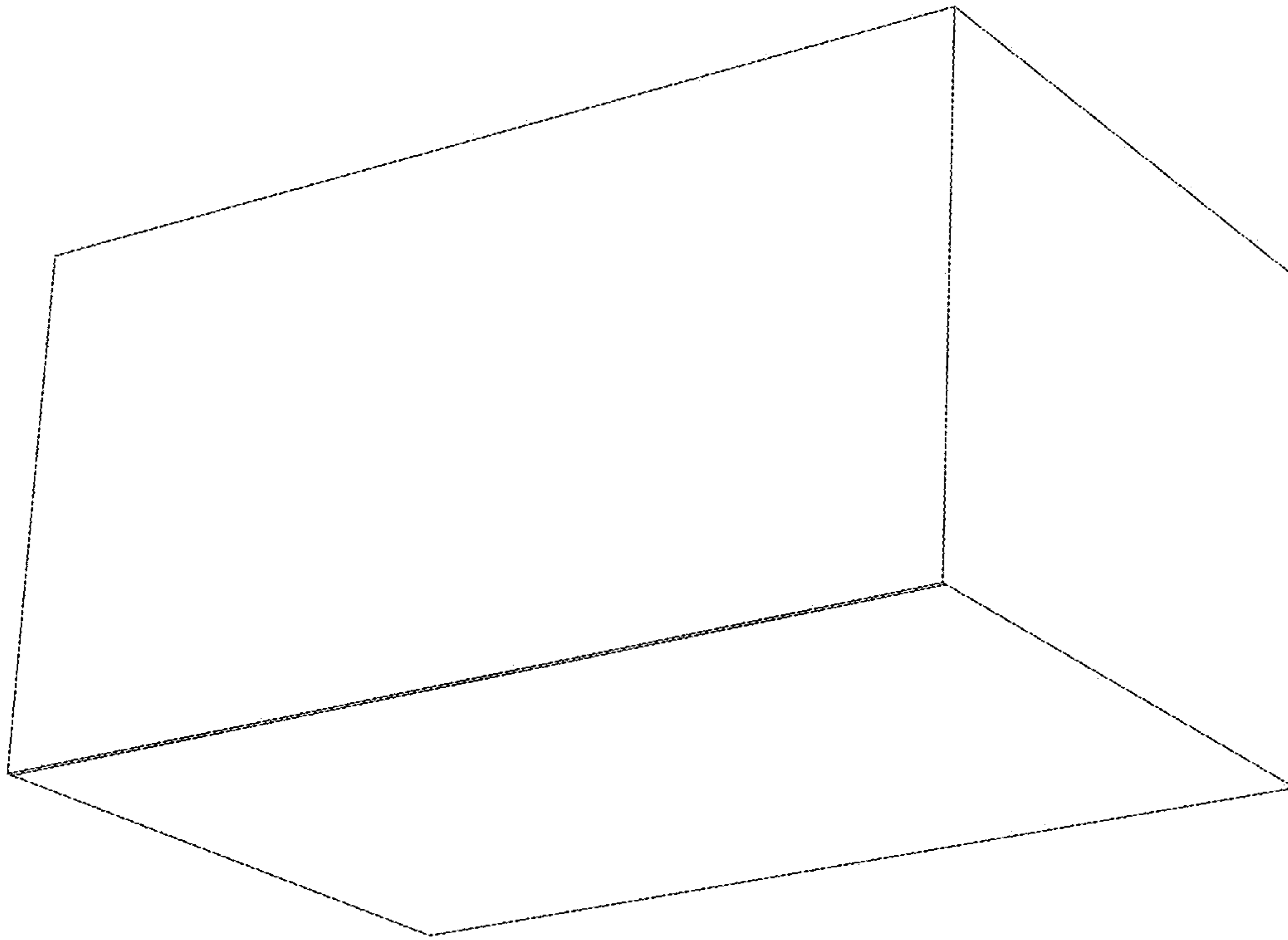


FIG. 57