



US0D1015845S

(12) **United States Design Patent** (10) **Patent No.:** **US D1,015,845 S**
Chen (45) **Date of Patent:** **** Feb. 27, 2024**

- (54) **KNOB**
- (71) Applicant: **ASSA ABLOY Americas Residential Inc., New Haven, CT (US)**
- (72) Inventor: **Andy Chen, Xiamen (CN)**
- (73) Assignee: **ASSA ABLOY Americas Residential Inc., New Haven, CT (US)**
- (**) Term: **15 Years**
- (21) Appl. No.: **29/829,241**
- (22) Filed: **Mar. 3, 2022**
- (51) **LOC (14) Cl.** **08-06**
- (52) **U.S. Cl.**
USPC **D8/310**
- (58) **Field of Classification Search**
USPC D8/300, 307, 310, 312
CPC .. A47B 95/02; A47B 2095/028; Y10T 292/82
See application file for complete search history.

(56) **References Cited**

U.S. PATENT DOCUMENTS

D357,851 S *	5/1995	Off	D8/310
D361,492 S *	8/1995	Chieda	D8/310
5,499,427 A *	3/1996	Bowman	A47B 95/02
				292/347
D368,638 S *	4/1996	Sonnenleiter	D8/310
D368,640 S *	4/1996	Sonnenleiter	D8/310
D396,179 S *	7/1998	Burns	D8/310
D429,455 S *	8/2000	Burns	D8/310
D544,778 S *	6/2007	Mattson	D8/310
D558,557 S *	1/2008	Jou	D8/310
D560,110 S *	1/2008	Ricereto	D8/310
D569,220 S *	5/2008	McConnell	D8/310
D574,212 S *	8/2008	Jou	D8/305
D580,736 S *	11/2008	Matijevic	D8/305
D584,127 S *	1/2009	Matijevic	D8/305
D585,263 S *	1/2009	Jou	D8/305

D592,483 S *	5/2009	Ricereto	D8/310
D602,334 S *	10/2009	Hanes	D8/310
D602,335 S *	10/2009	Hanes	D8/310
D660,679 S *	5/2012	Han	D8/310
D660,680 S *	5/2012	Han	D8/310
D679,980 S *	4/2013	Ramsland	D8/305
D708,040 S *	7/2014	Han	A47B 95/02
				D8/307
D723,352 S *	3/2015	Ramsland	D8/310
D772,686 S *	11/2016	Zimmer	D8/310
D772,688 S *	11/2016	Zimmer	D8/310

(Continued)

OTHER PUBLICATIONS

“Dynasty Hardware K-8038-S-26-25PK 2-Ring Cabinet Hardware Knob”, Aug. 21, 2014, Amazon.com, site visited Sep. 22, 2023: <https://www.amazon.com/dp/B00MX79ZDQ> (Year: 2014).*

(Continued)

Primary Examiner — Jack Reickel

Assistant Examiner — Michael A Kervin

(74) *Attorney, Agent, or Firm* — Merchant & Gould P.C.

(57) **CLAIM**

The ornamental design for a knob, as shown and described.

DESCRIPTION

FIG. 1 is a front perspective view of a knob showing my new design;

FIG. 2 is a front view thereof;

FIG. 3 is a rear view thereof;

FIG. 4 is a left side view thereof;

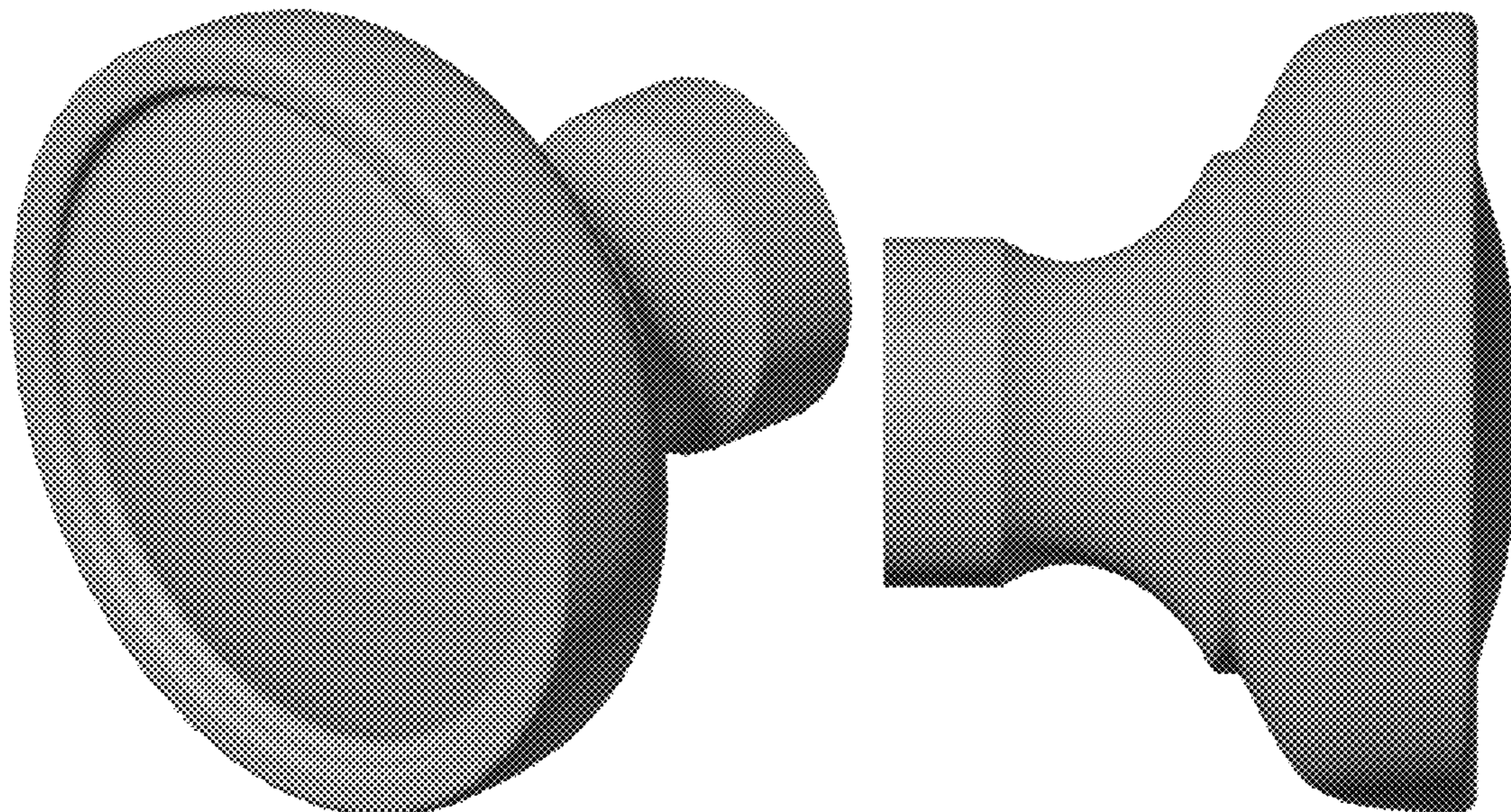
FIG. 5 is a right side view thereof;

FIG. 6 is a top view thereof; and,

FIG. 7 is a bottom view thereof.

The broken line showing of a knob is for the purpose of illustrating portions of the article and forms no part of the claimed design.

1 Claim, 7 Drawing Sheets



(56)

References Cited

U.S. PATENT DOCUMENTS

D792,188 S * 7/2017 Zimmer D8/310
D826,684 S * 8/2018 Tseng D8/310
D903,464 S * 12/2020 Groleski D8/310
D956,510 S * 7/2022 Mersky D8/310
2010/0139046 A1 * 6/2010 Daniels A47B 95/02
16/417

OTHER PUBLICATIONS

“Amerock—Cabinet Knob”, Jan. 22, 2018, Amazon.com, site visited Sep. 22, 2023: <https://www.amazon.com/dp/B078PNQ7HJ> (Year: 2018).*

“Alzassbg 10 Pack Brushed Satin Nickel Cabinet Knobs”, Apr. 2, 2020, Amazon.com, site visited Sep. 22, 2023: <https://www.amazon.com/dp/B086P4N6JJ> (Year: 2020).*

“Baldwin 4403260BIN 4403.BIN Tulip 1-½ Inch Mushroom Cabinet Knob”, Jan. 24, 2023, Amazon.com, site visited Sep. 22, 2023: <https://www.amazon.com/dp/B0BWLZH377> (Year: 2023).*

* cited by examiner

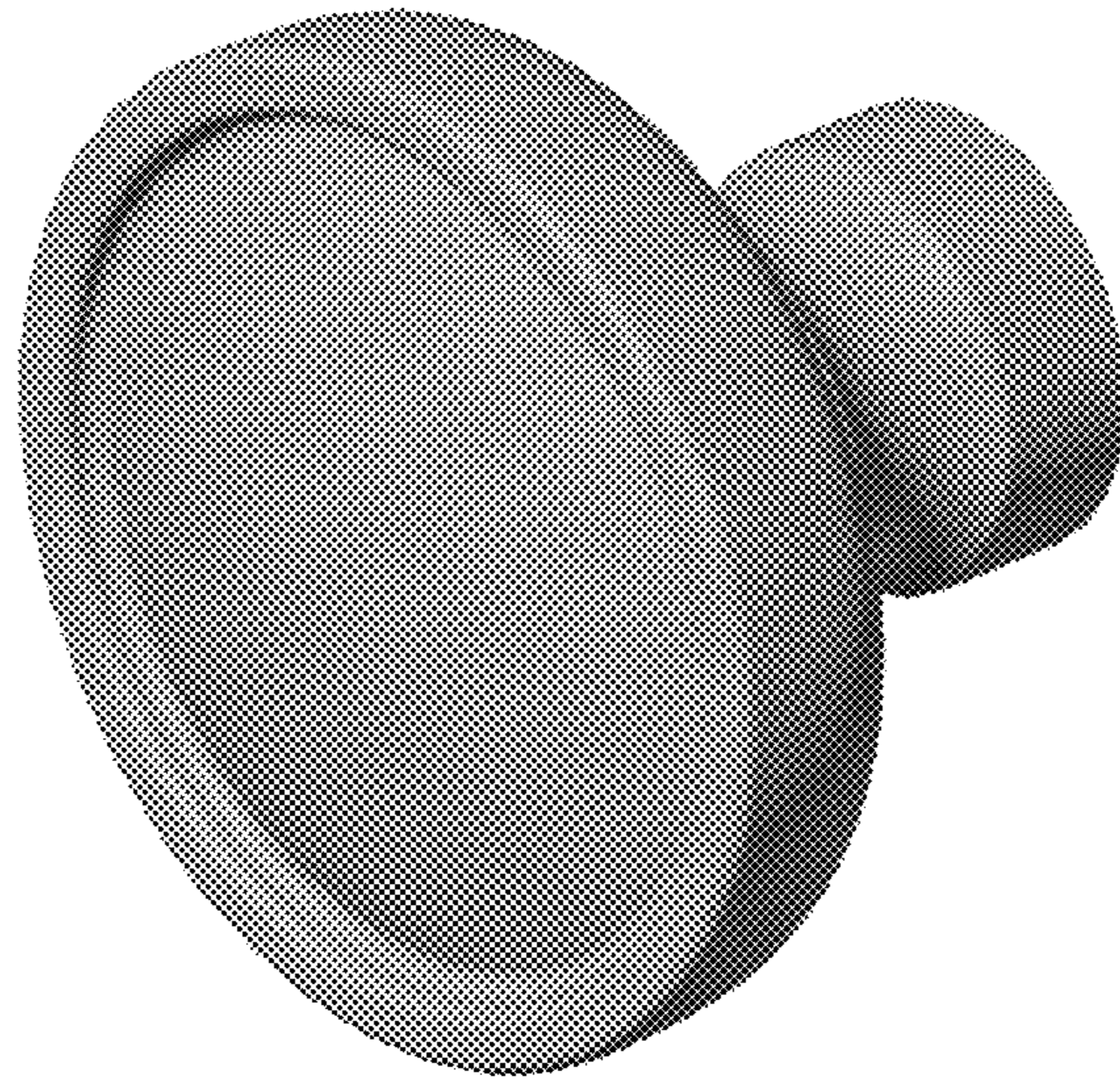


FIG. 1

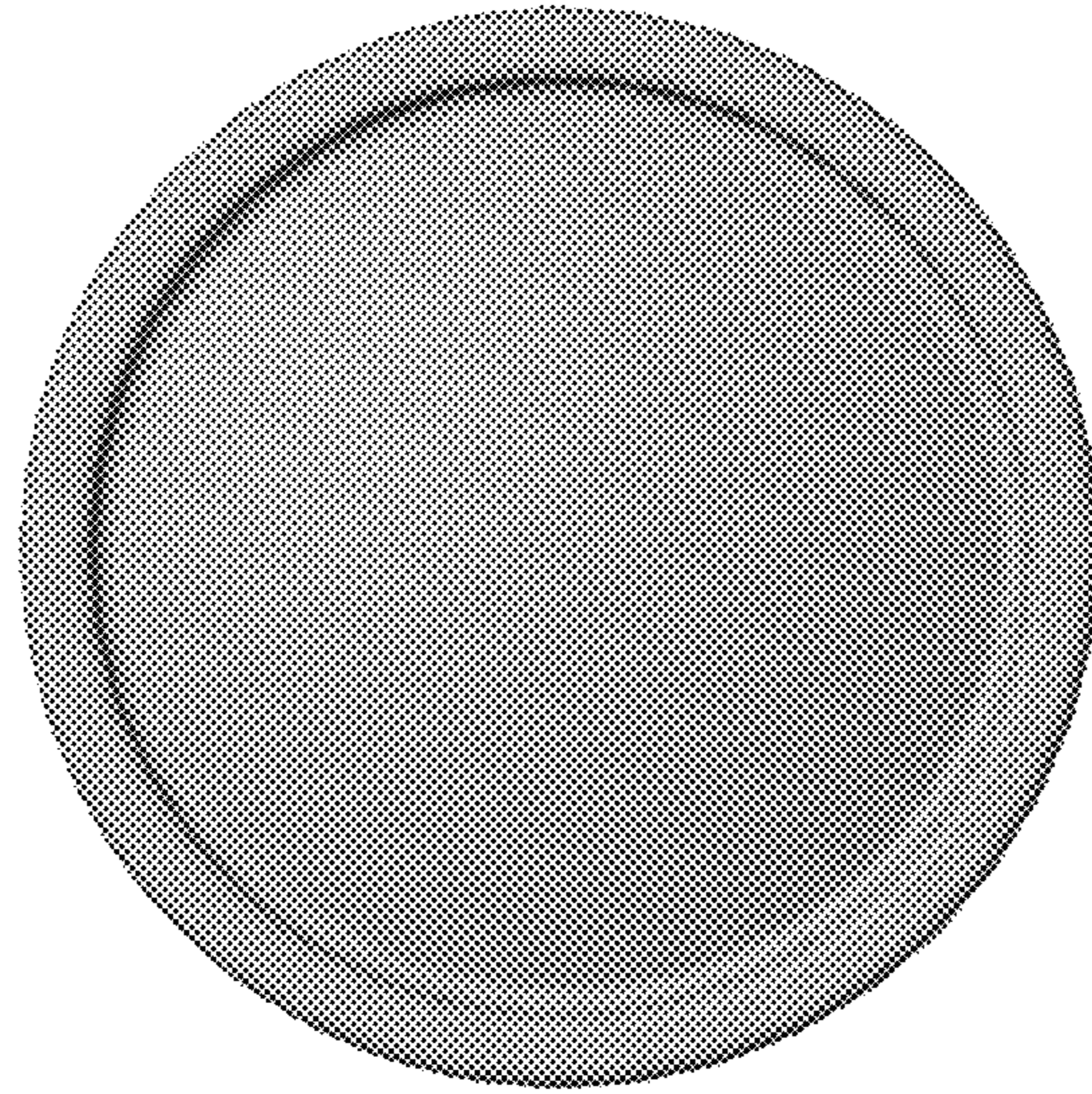


FIG. 2

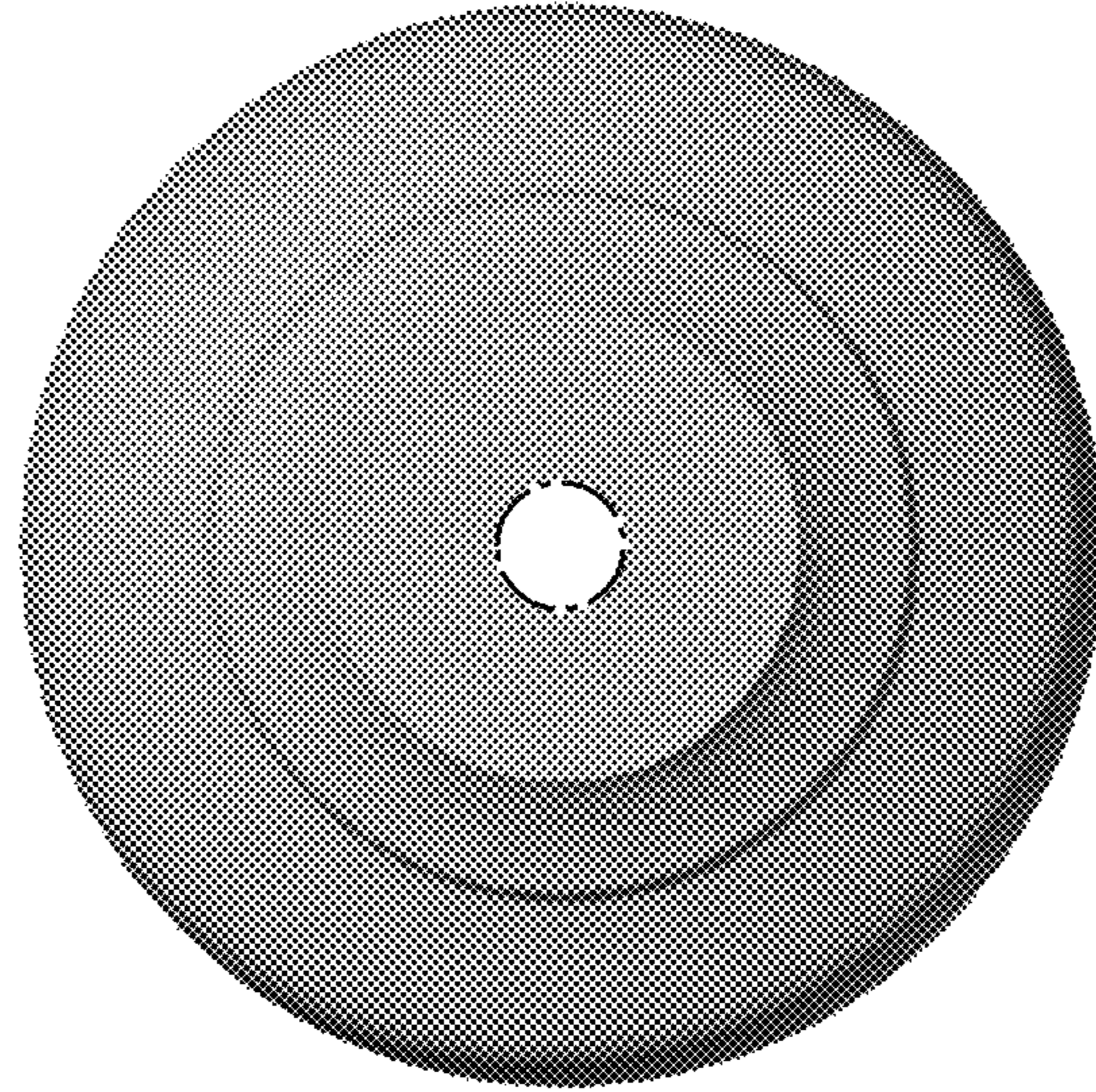


FIG. 3

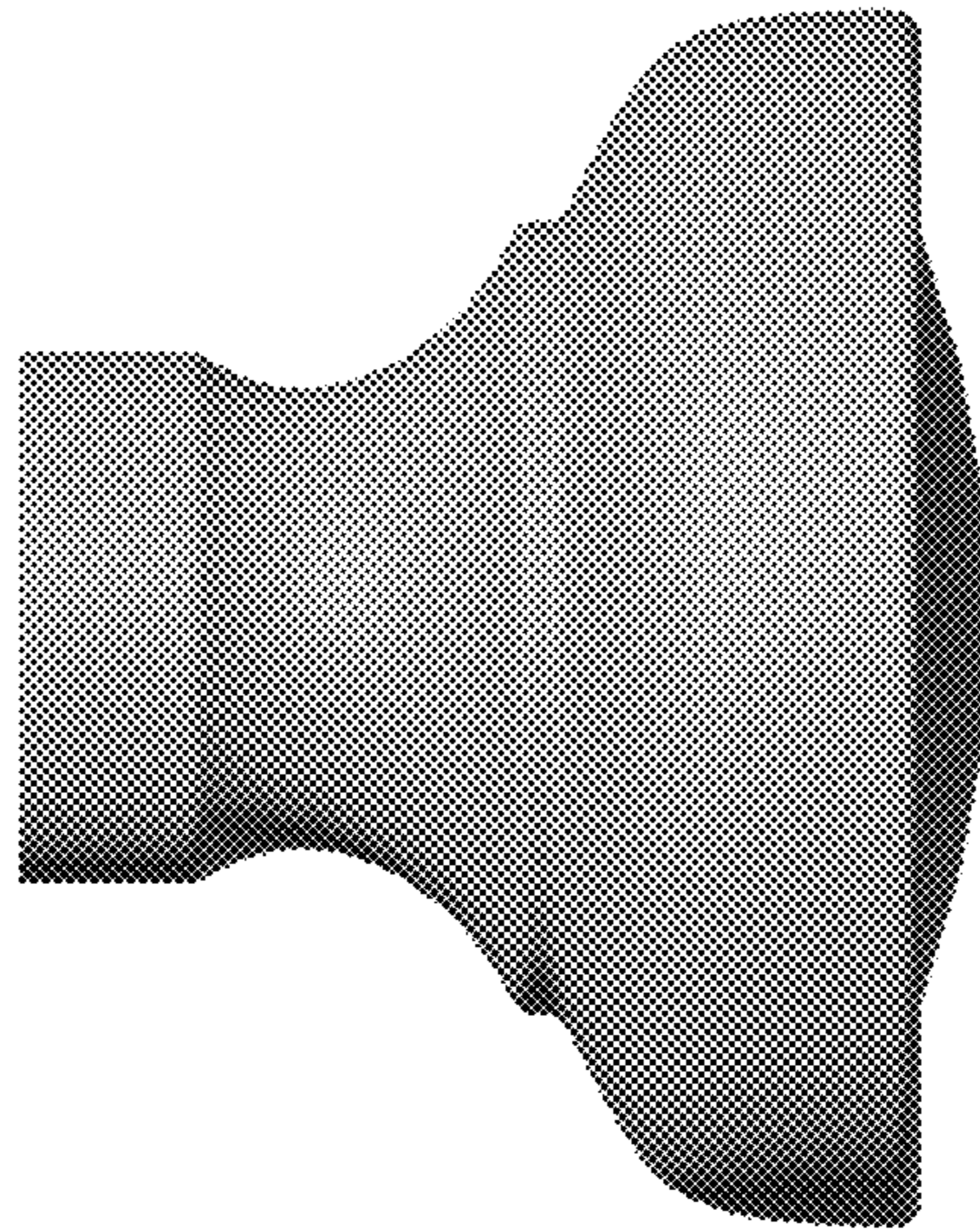


FIG. 4

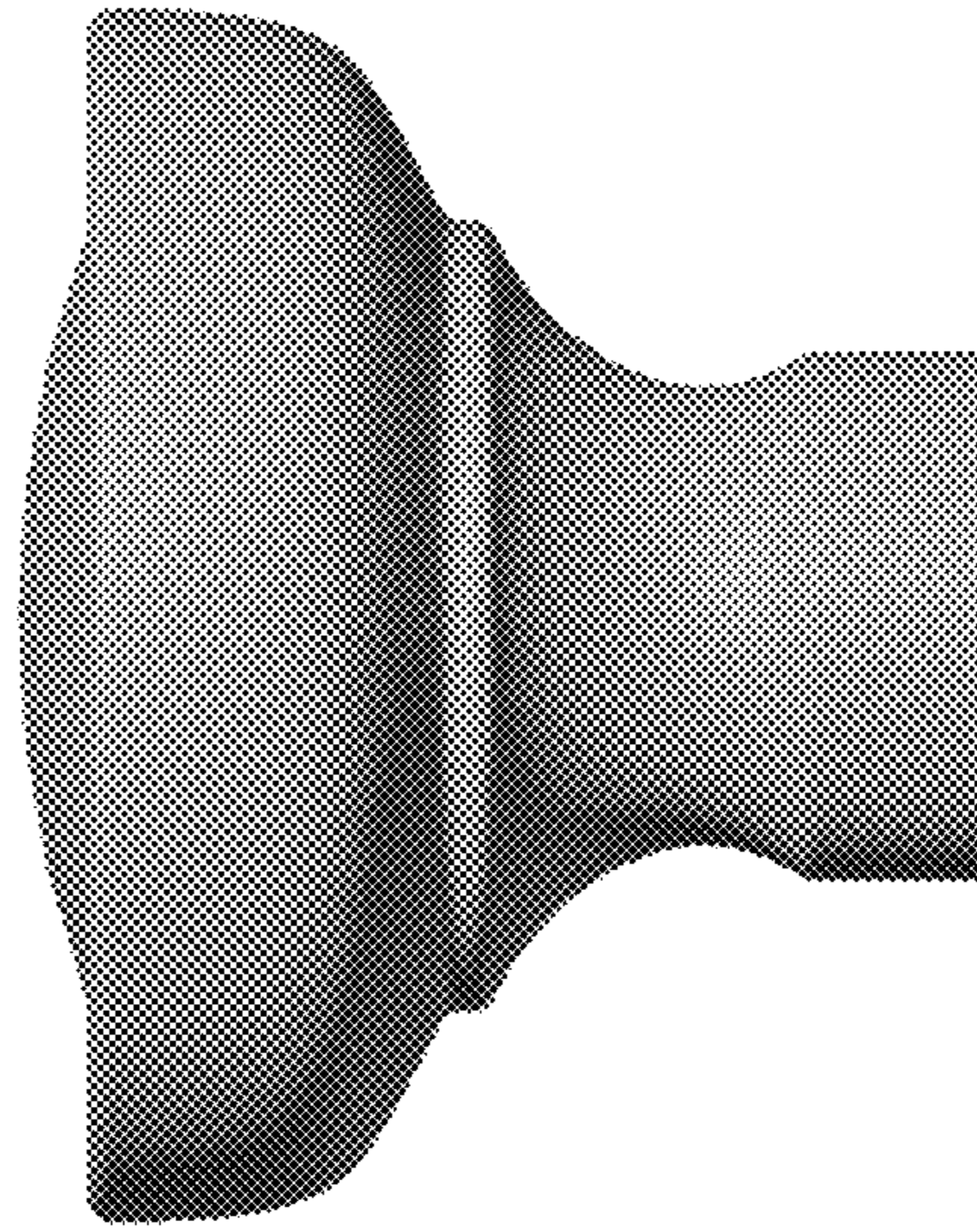


FIG. 5

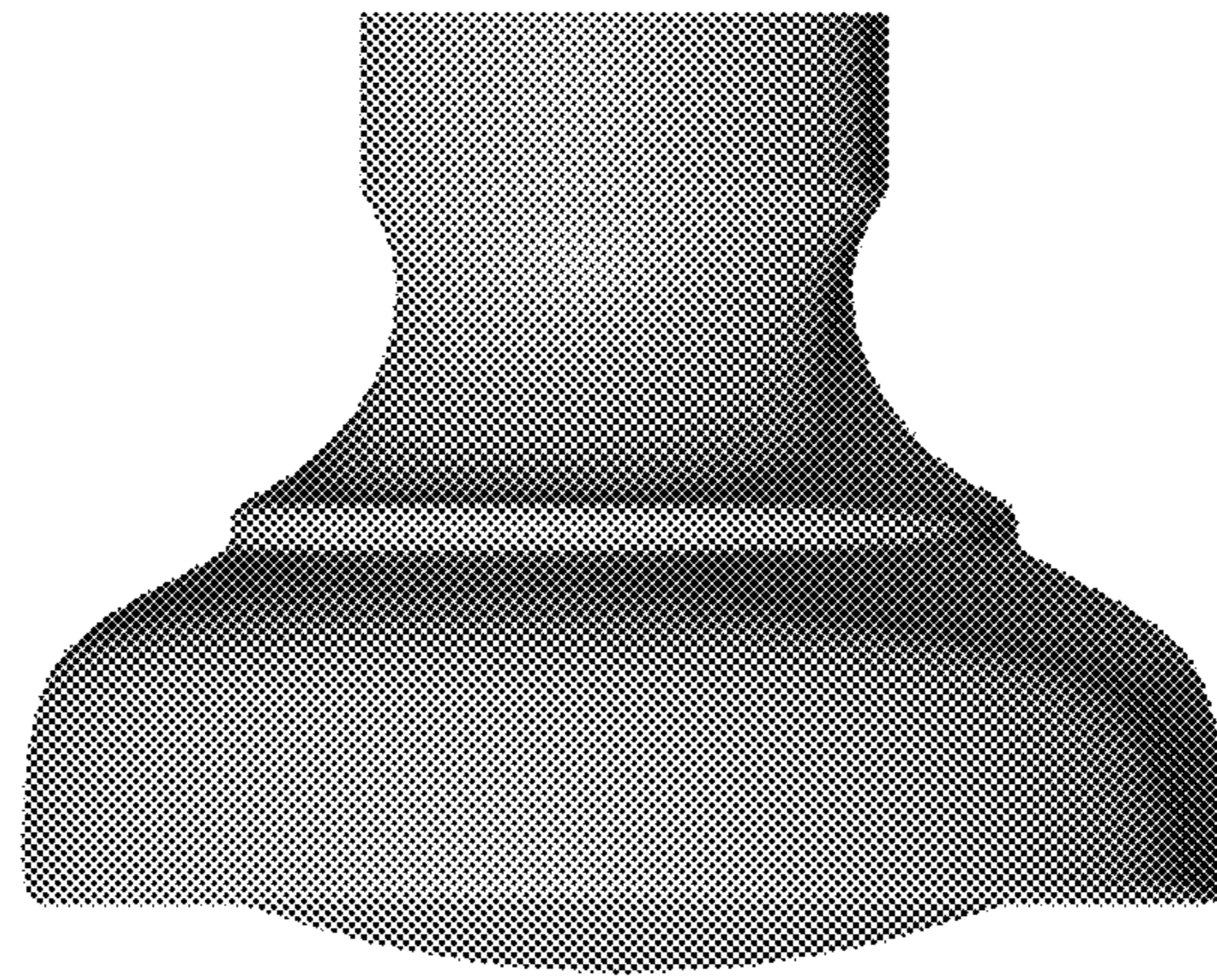


FIG. 6

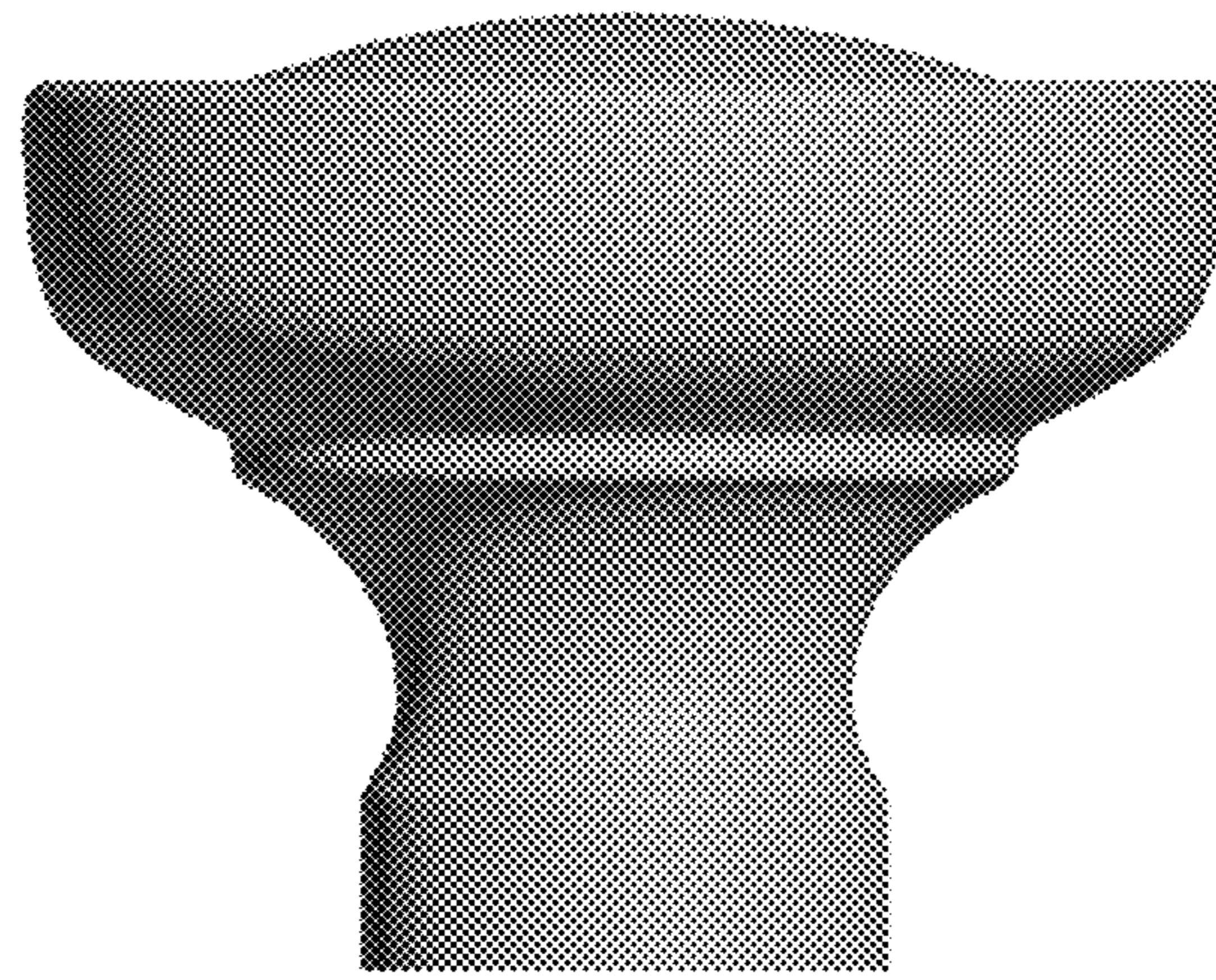


FIG. 7