

US0D1015834S

(12) **United States Design Patent** (10) **Patent No.:** **US D1,015,834 S**
Weiss (45) **Date of Patent:** **** Feb. 27, 2024**

(54) **ANGLED HAND PLOW**

FOREIGN PATENT DOCUMENTS

(71) Applicant: **Jonathan Pieter Weiss**, Sennett, NY
(US)

CN 303559897 * 1/2016
CN 305069422 * 3/2019

(Continued)

(72) Inventor: **Jonathan Pieter Weiss**, Sennett, NY
(US)

OTHER PUBLICATIONS

(**) Term: **15 Years**

Selph, Tyler, Best snow plow you can buy, Walk-behind snow plow, Manual Snow plow, Best snow shovel, retrieved from Internet, retrieved on Mar. 3, 2023, <URL: <https://www.youtube.com/watch?v=dq5aEx6Y3OE>>.

(21) Appl. No.: **29/872,033**

(22) Filed: **Mar. 3, 2023**

(Continued)

Related U.S. Application Data

Primary Examiner — Sheryl Lane
Assistant Examiner — Ieisha N Price

(63) Continuation-in-part of application No. 29/798,794, filed on Jul. 9, 2021, now Pat. No. Des. 982,397.

(51) **LOC (14) Cl.** **08-01**

(57) **CLAIM**

(52) **U.S. Cl.**
USPC **D8/10**

The ornamental design for an angled hand plow, as shown and described.

(58) **Field of Classification Search**

DESCRIPTION

USPC D30/40, 46, 49; D8/10, 11
CPC A01B 1/02; A01B 1/022; A01B 1/026;
A01B 1/06; A01B 1/08; A01B 1/16;
E01H 5/02; E01H 5/12
See application file for complete search history.

FIG. 1 is a top-front-right perspective view of an angled hand plow showing my new design;
FIG. 2 is a bottom-rear-left perspective view thereof;
FIG. 3 is a front elevational view thereof;
FIG. 4 is a rear elevational view thereof;
FIG. 5 is a right elevational view thereof;
FIG. 6 is a left elevational view thereof;
FIG. 7 is a top plan view thereof;
FIG. 8 is a bottom plan view thereof;
FIG. 9 is a top-front-left perspective view of the angled hand plow in an extended position; and,
FIG. 10 is a bottom-rear-right perspective view of FIG. 9.
The broken lines showing of the handle, bolts and fastening pins illustrate the environment of the claimed design and forms no part thereof. The remaining broken lines in the drawings illustrate portions of the angled hand plow and form no part of the claimed design.

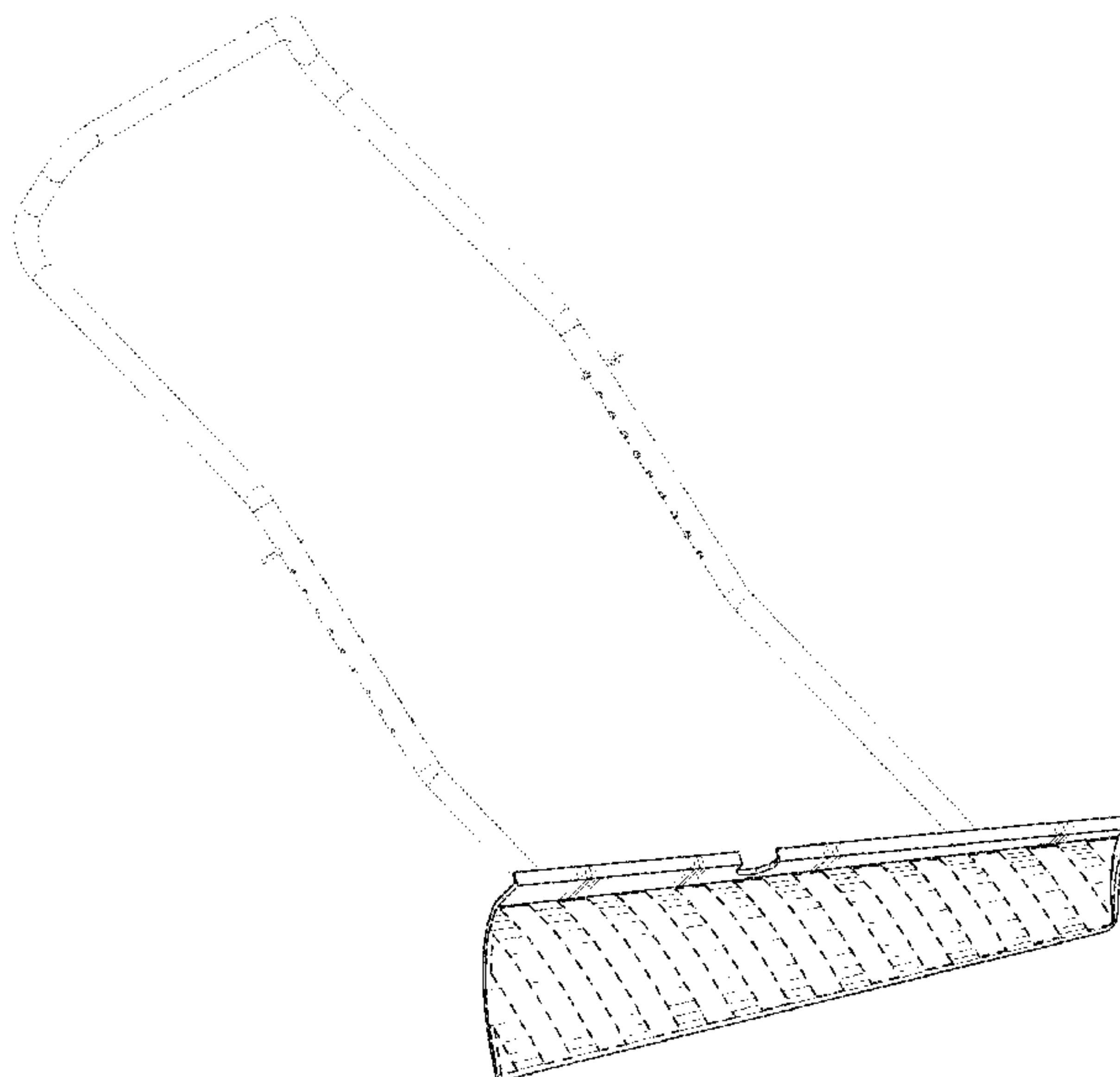
(56) **References Cited**

U.S. PATENT DOCUMENTS

389,092 A * 9/1888 Mercer E01H 5/02
37/284
1,415,979 A * 5/1922 Bedford E01H 5/02
37/284
1,534,179 A * 4/1925 Klinger E01H 5/02
37/284
1,693,472 A * 11/1928 Batty E01H 5/02
37/284
1,882,945 A * 10/1932 Ross E01H 5/02
37/270

(Continued)

1 Claim, 10 Drawing Sheets



(56)

References Cited

U.S. PATENT DOCUMENTS

1,956,295 A * 4/1934 Lindgren E01H 5/02
37/284
2,114,641 A * 4/1938 Stevenson E01H 5/02
37/284
2,165,314 A * 7/1939 Stevenson E01H 5/065
37/284
2,811,792 A * 11/1957 Cork, Jr. E01H 5/02
37/270
2,863,232 A * 12/1958 Steinbach E02F 3/02
37/270
D190,820 S * 7/1961 O'Connor 37/284
4,199,181 A * 4/1980 Mason E01H 5/02
37/284
D305,603 S * 1/1990 Nelson D8/10
5,197,772 A * 3/1993 Stecyk A01B 1/02
37/285
D361,482 S * 8/1995 Fugal D8/10
D363,653 S * 10/1995 Tisbo D8/10
D378,890 S * 4/1997 Furno D3/10
5,669,163 A * 9/1997 Winter E01H 5/02
37/284
D392,522 S * 3/1998 Kenyon D8/10
5,975,602 A * 11/1999 Zan B25G 1/102
294/58
D417,826 S * 12/1999 Yacobi D8/10
7,305,779 B1 * 12/2007 Purvis E01H 5/02
37/285
D598,256 S * 8/2009 Chesness D8/10

7,654,591 B2 * 2/2010 Marble B25G 1/06
294/51
8,166,677 B1 5/2012 Woyak
9,255,368 B1 * 2/2016 Doolittle E01H 5/02
D793,187 S * 8/2017 Henry D8/10
D874,895 S * 2/2020 Hua D8/10
D982,397 S * 4/2023 Weiss D8/10
2004/0178646 A1 * 9/2004 Root A01G 20/43
294/51
2007/0187964 A1 * 8/2007 Marble B25G 1/06
294/51
2008/0315602 A1 * 12/2008 Chesness B25G 1/00
294/58
2009/0188136 A1 * 7/2009 Westman E01H 5/02
37/266
2019/0330814 A1 * 10/2019 Yildiz E02F 3/02

FOREIGN PATENT DOCUMENTS

CN	305771975	*	5/2020
CN	307099192	*	2/2022
EM	002332478-0002	*	10/2013
KR	200463227 Y1		10/2012

OTHER PUBLICATIONS

Jackson Professional Tools Store, True Temper 1625300 SnoBoss Poly Snow Shovel/Pusher/Scraper, 20-Inch, Multi, retrieved from Internet, retrieved on Mar. 3, 2023, <URL: <https://tinyurl.com/2p9f5bbb>>.

* cited by examiner

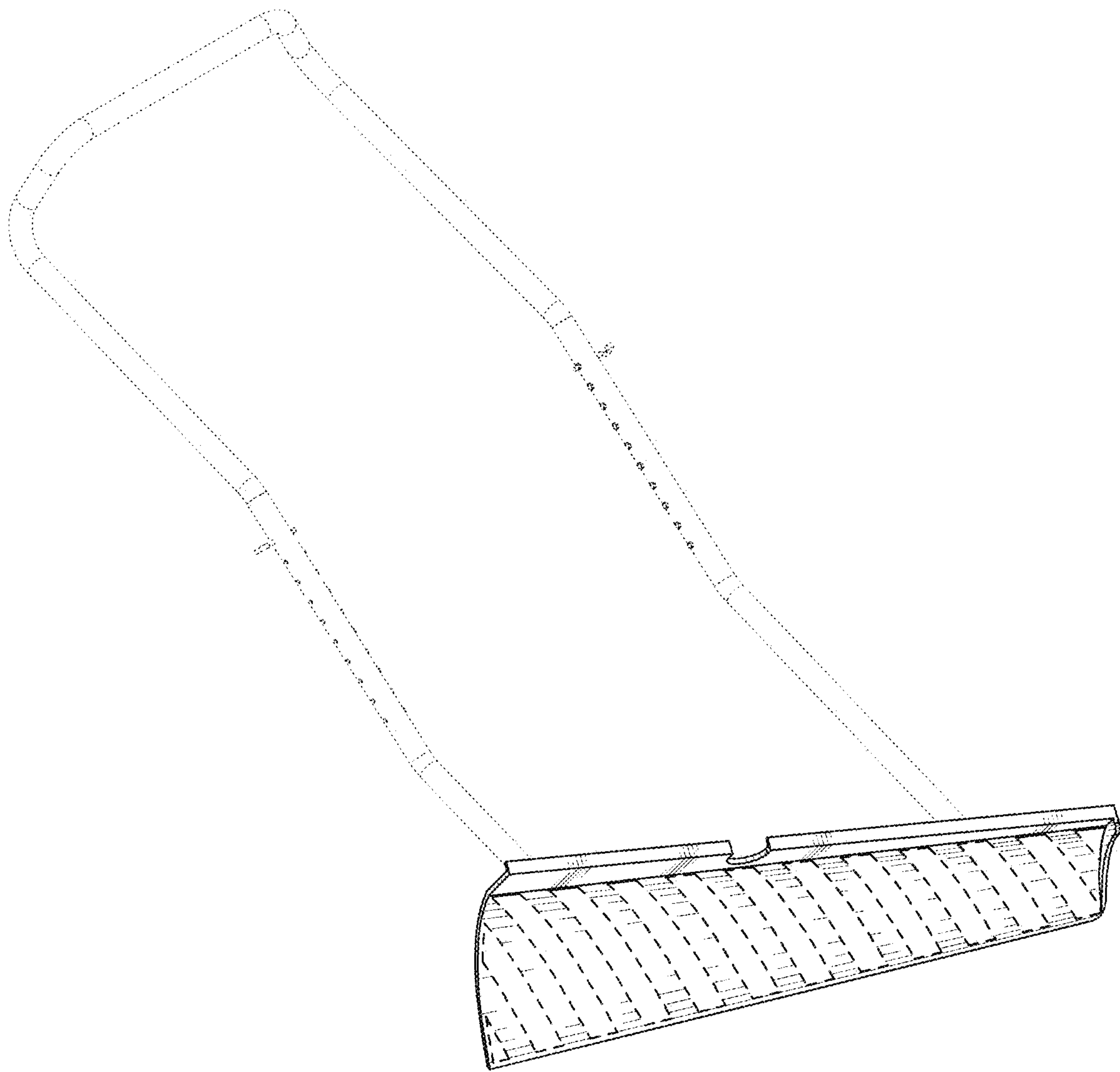


FIG. 1

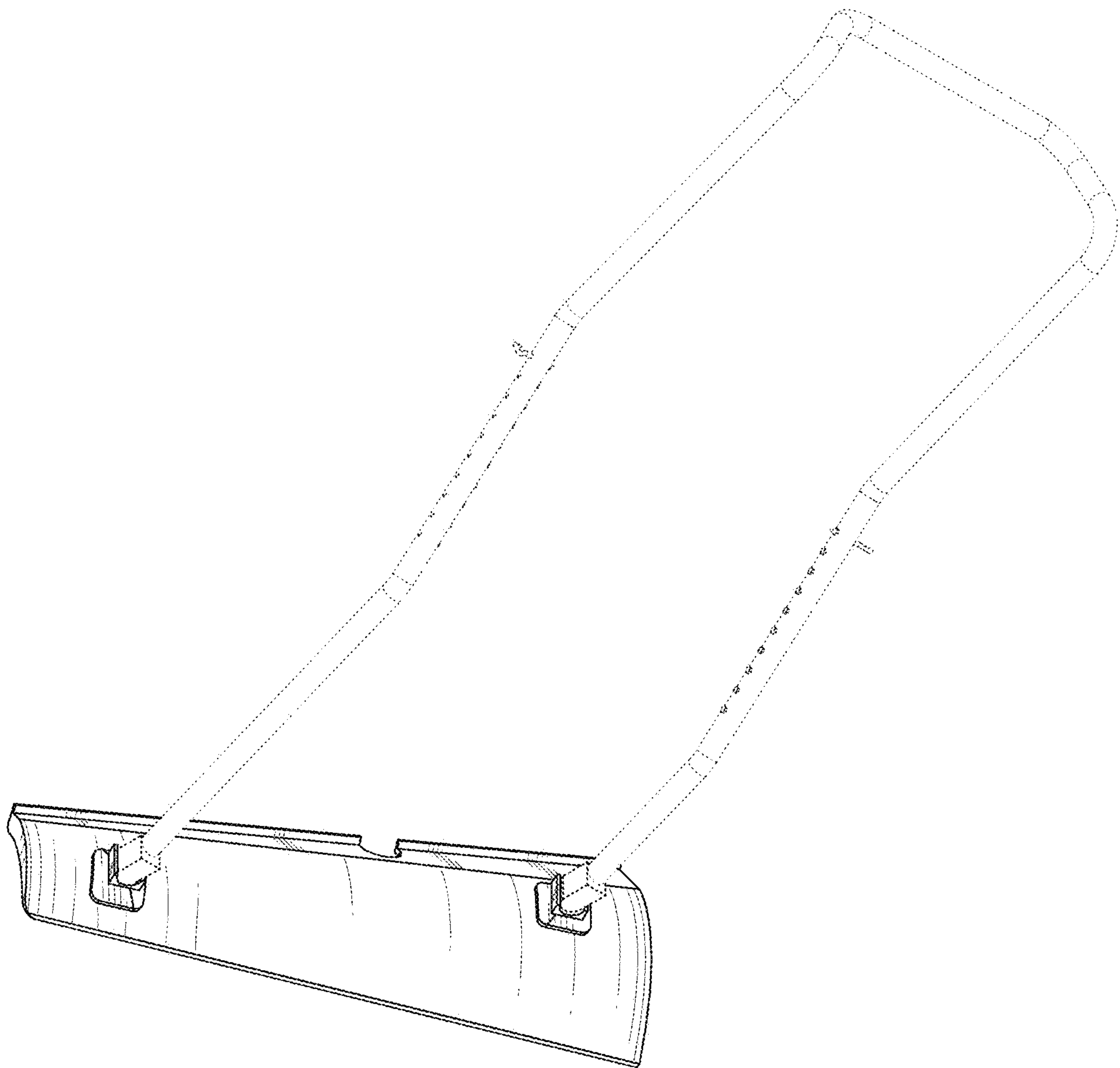


FIG. 2

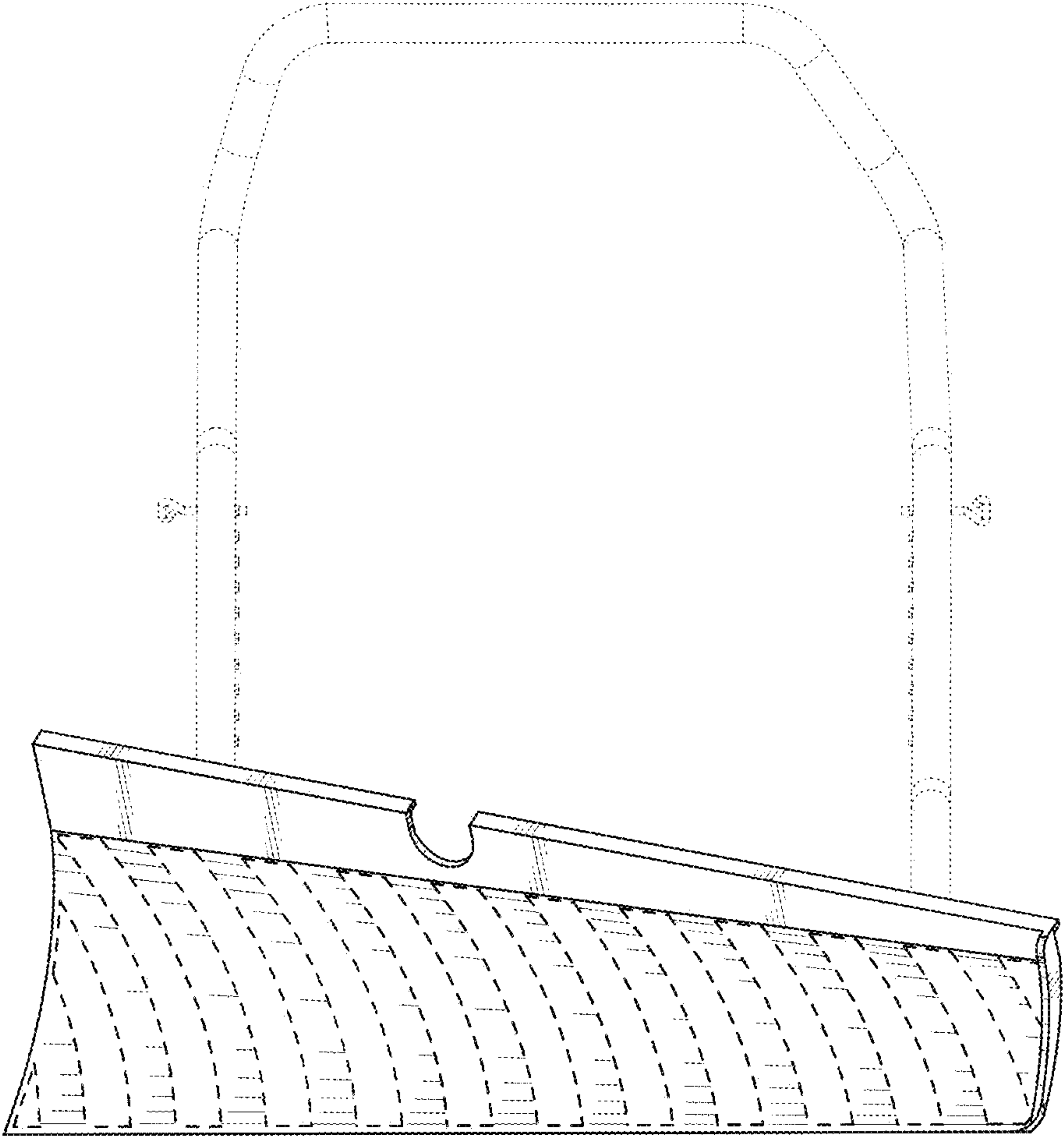


FIG. 3

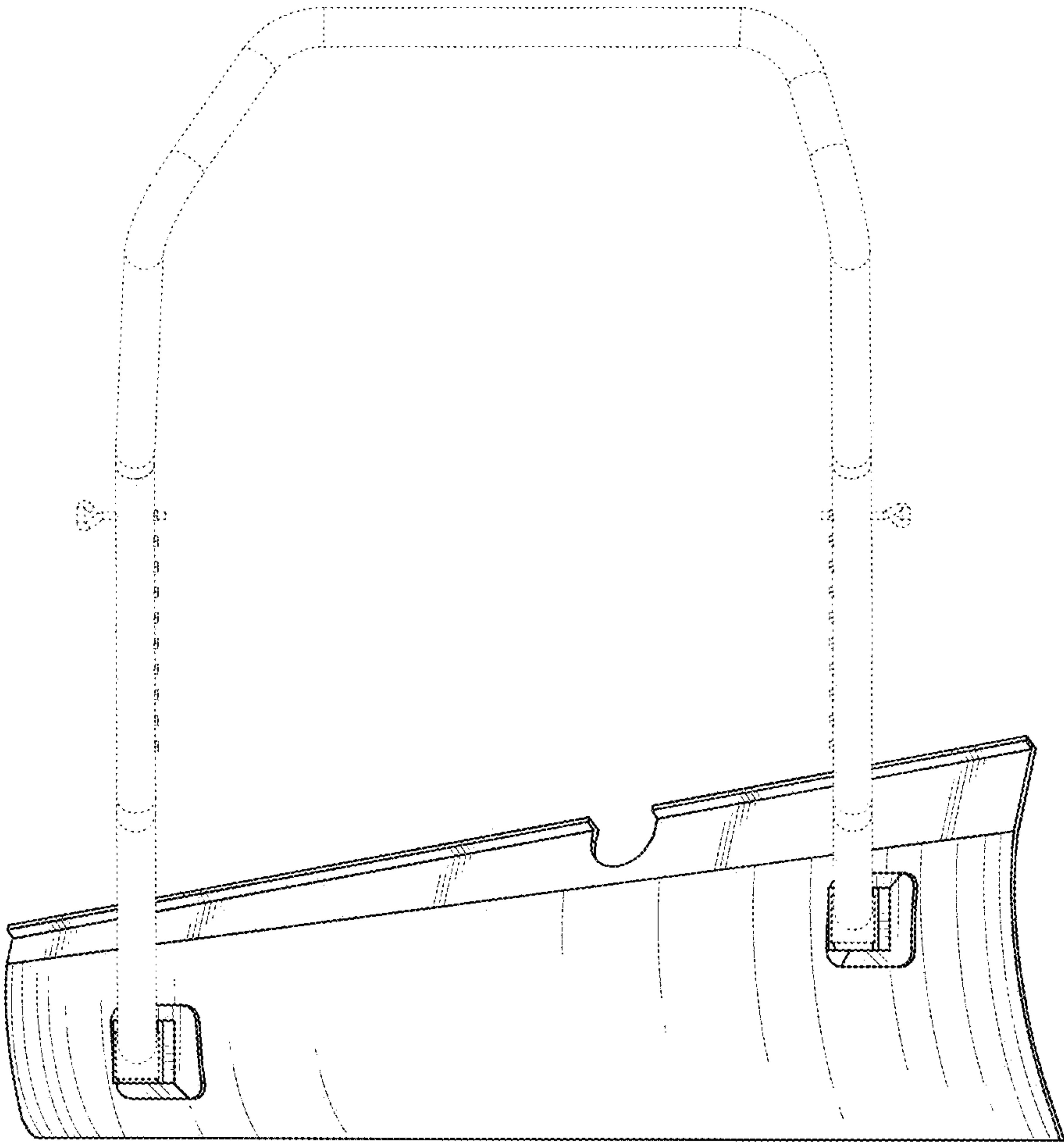


FIG. 4

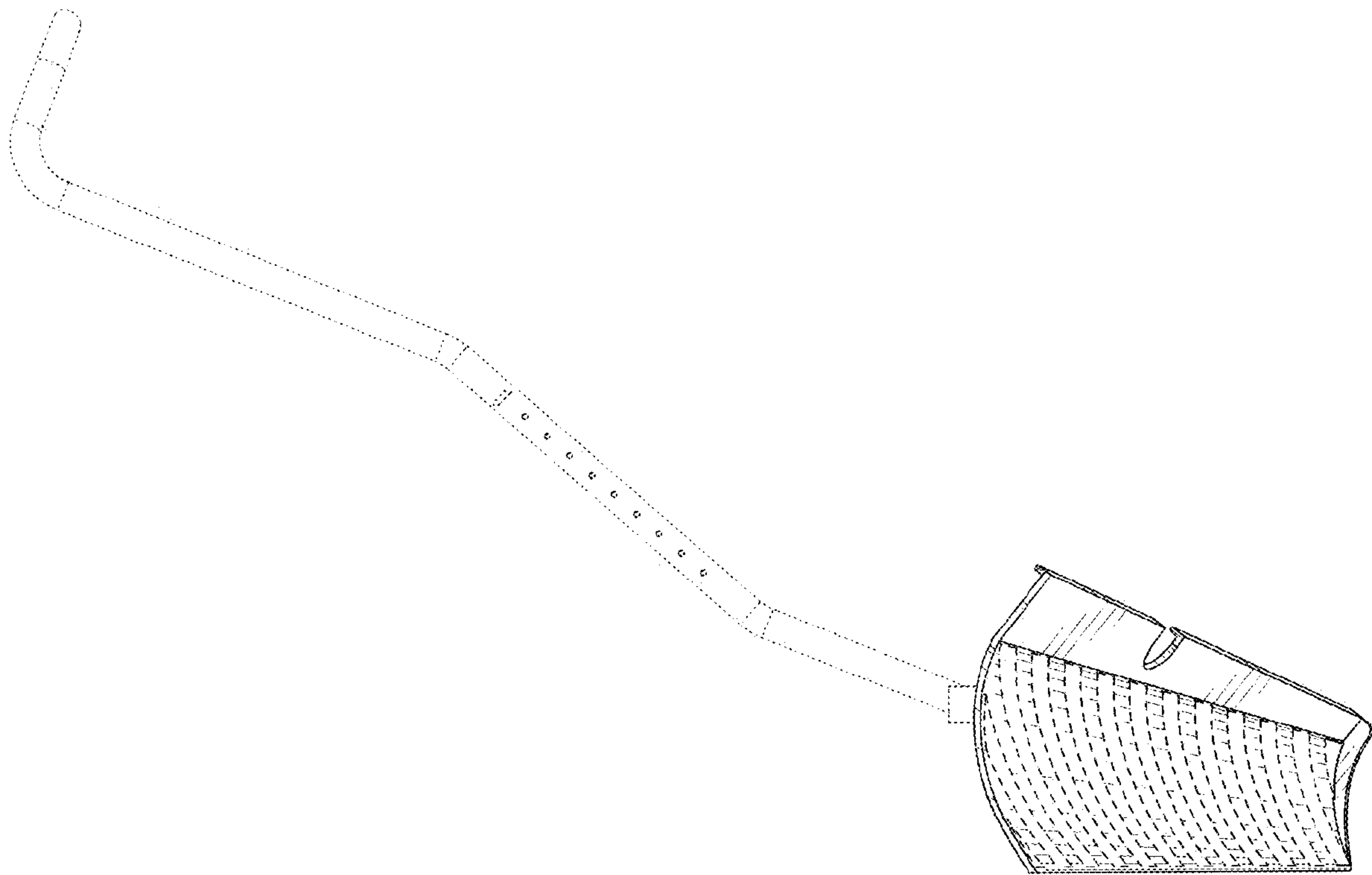


FIG. 5

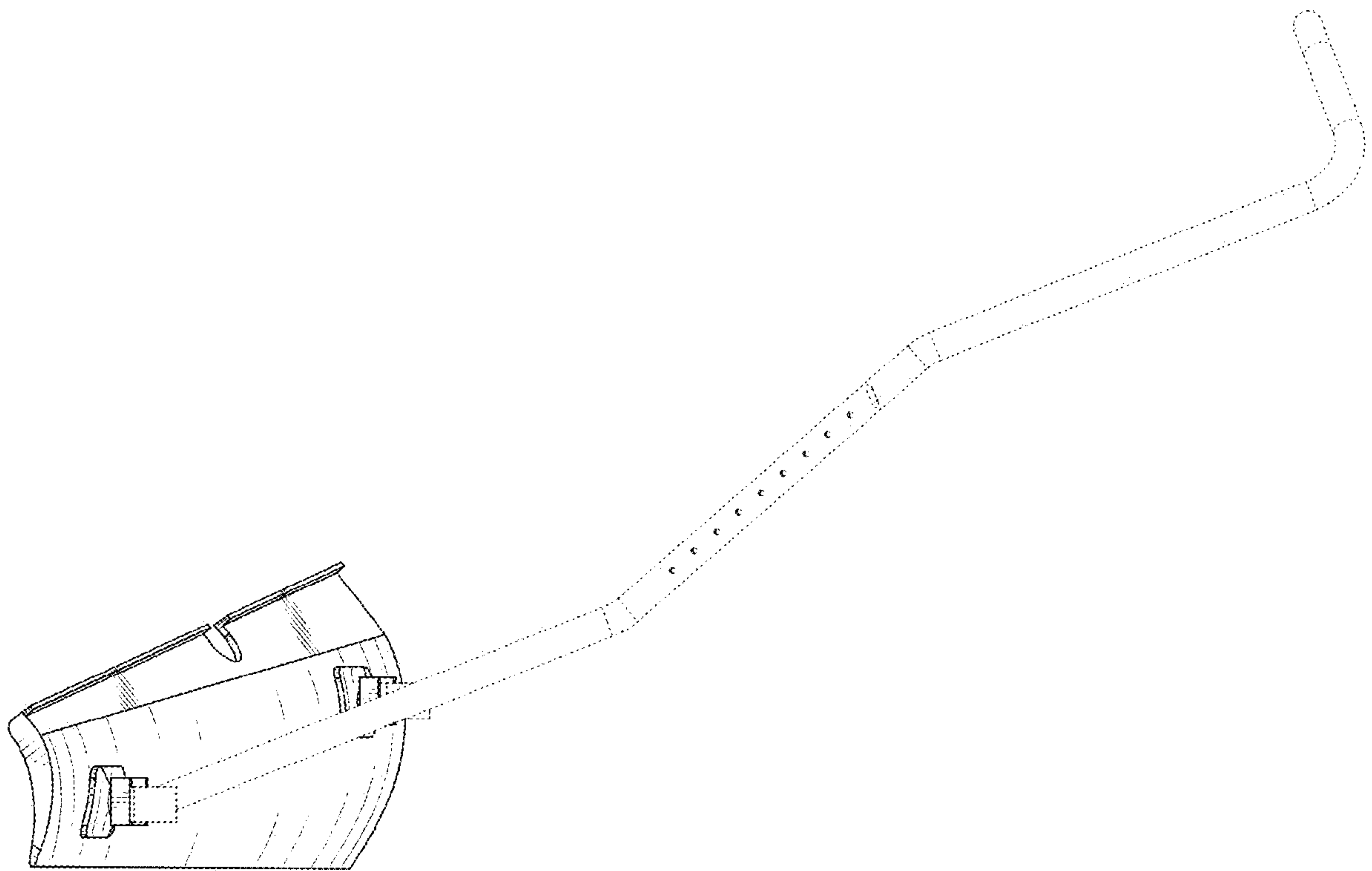


FIG. 6

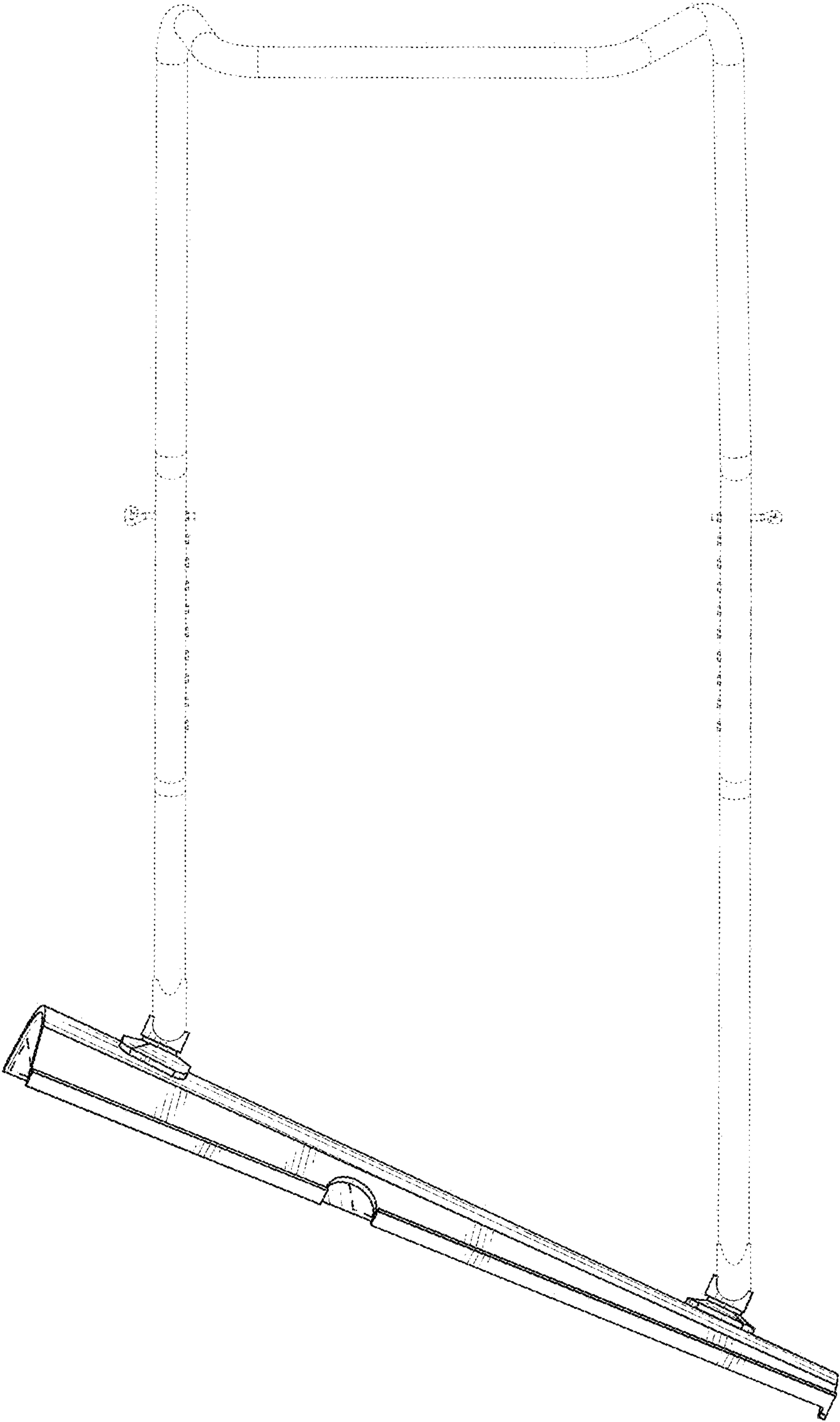


FIG. 7

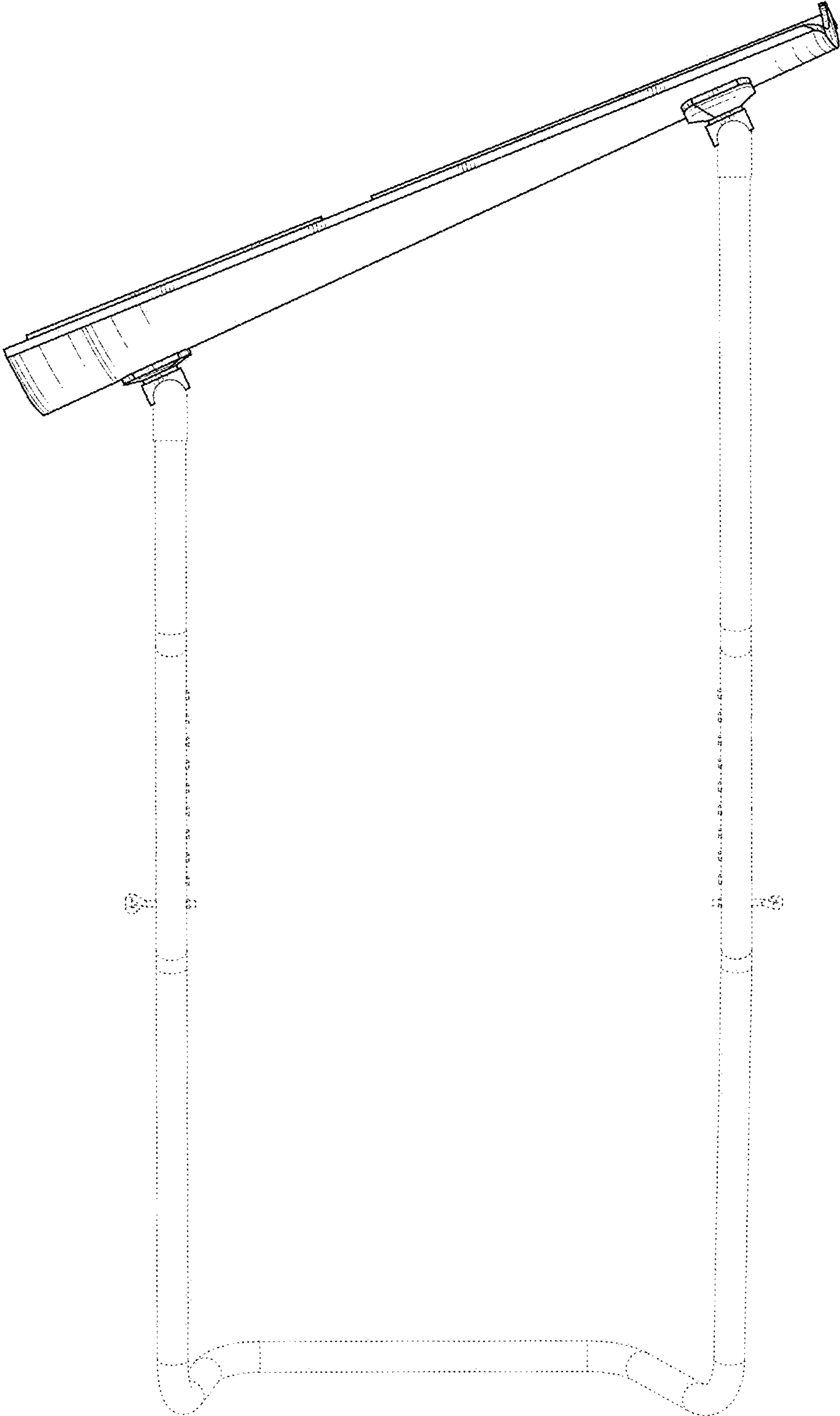


FIG. 8

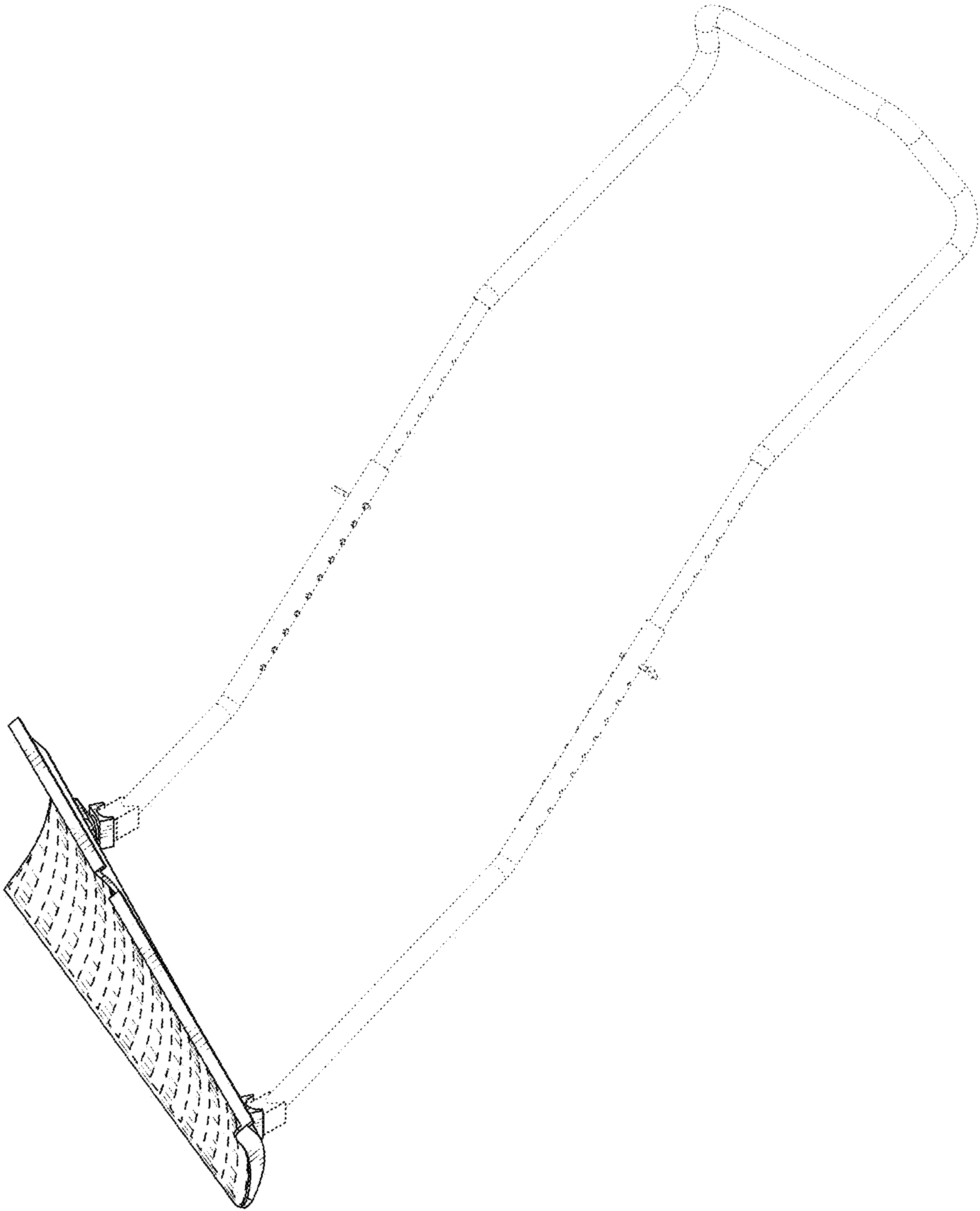


FIG. 9

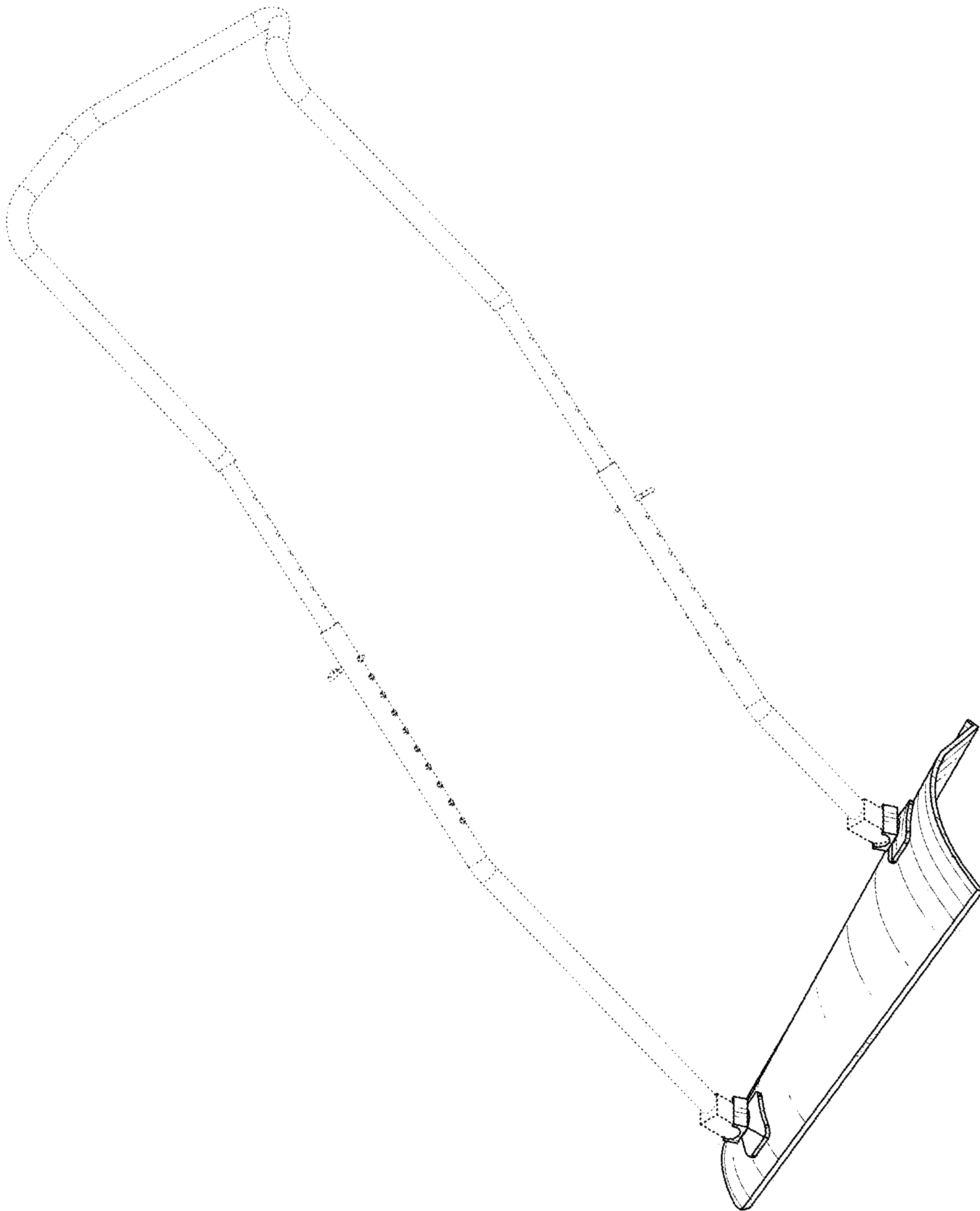


FIG. 10