



US0D1015762S

(12) **United States Design Patent** (10) **Patent No.:** **US D1,015,762 S**
Bouroullec et al. (45) **Date of Patent:** **** Feb. 27, 2024**

(54) **BENCH**

(71) Applicant: **HAY ApS**, Horsens (DK)

(72) Inventors: **Ronan Bouroullec**, Paris (FR); **Erwan Bouroullec**, Paris (FR)

(73) Assignee: **HAY ApS**, Horsens (DK)

(**) Term: **15 Years**

(21) Appl. No.: **29/841,602**

(22) Filed: **Jun. 7, 2022**

(30) **Foreign Application Priority Data**

Dec. 14, 2021 (EM) 008797864-0007

Dec. 14, 2021 (EM) 008797864-0008

(Continued)

(51) **LOC (14) Cl.** **06-01**

(52) **U.S. Cl.**
USPC **D6/370**

(58) **Field of Classification Search**
USPC D6/372, 373, 374, 375, 376, 379, 380,
D6/369, 370

(Continued)

(56) **References Cited**

U.S. PATENT DOCUMENTS

D174,592 S * 4/1955 Pettibone 297/452.46

3,146,028 A 8/1964 Grosfillex

(Continued)

OTHER PUBLICATIONS

Pottery Barn, "Emeco 1 Inch Aluminum Stool," <https://potterybarn.com/products/1-inch-all-aluminum-barstool-mp/?cm_src=reducedClick> web page visted Sep. 6, 2023 (8 pages).

Primary Examiner — Paul D Bohannon

(74) *Attorney, Agent, or Firm* — MICHAEL BEST & FRIEDRICH LLP

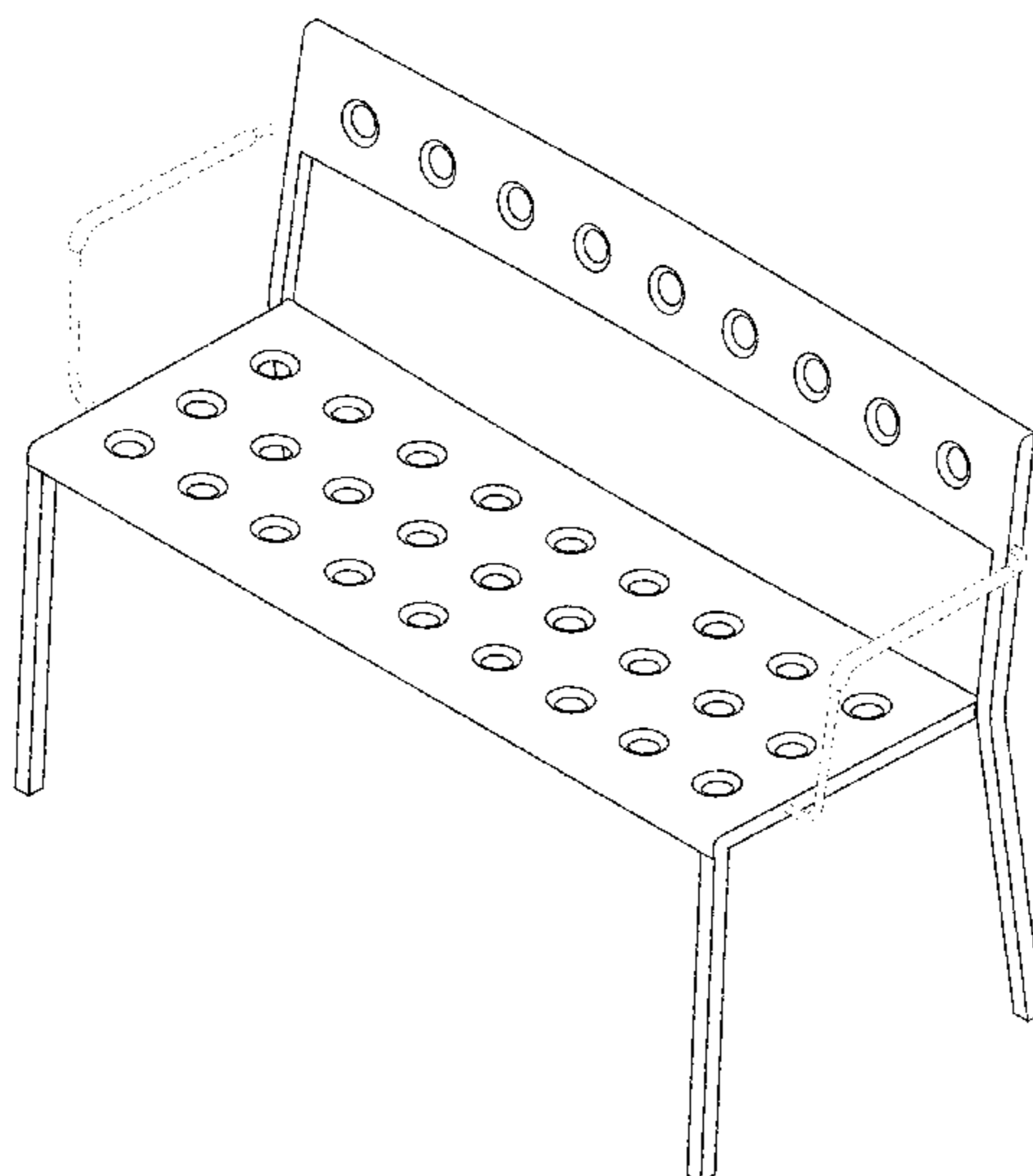
(57) **CLAIM**

We claim the ornamental design for a bench, as shown and described.

DESCRIPTION

FIG. 1 is a perspective view of a bench.
FIG. 2 is a side view of the bench of FIG. 1.
FIG. 3 is a front view of the bench of FIG. 1.
FIG. 4 is a rear view of the bench of FIG. 1.
FIG. 5 is a top view of the bench of FIG. 1.
FIG. 6 is a perspective view of another bench.
FIG. 7 is a side view of the bench of FIG. 6.
FIG. 8 is a front view of the bench of FIG. 6.
FIG. 9 is a rear view of the bench of FIG. 6.
FIG. 10 is a top view of the bench of FIG. 6.
FIG. 11 is a perspective view of another bench.
FIG. 12 is a side view of the bench of FIG. 11.
FIG. 13 is a front view of the bench of FIG. 11.
FIG. 14 is a rear view of the bench of FIG. 11.
FIG. 15 is a top view of the bench of FIG. 11.
FIG. 16 is a perspective view of another bench.
FIG. 17 is a side view of the bench of FIG. 16.
FIG. 18 is a front view of the bench of FIG. 16.
FIG. 19 is a rear view of the bench of FIG. 16.
FIG. 20 is a top view of the bench of FIG. 16.
FIG. 21 is a perspective view of another bench.
FIG. 22 is a side view of the bench of FIG. 21.
FIG. 23 is a front view of the bench of FIG. 21.
FIG. 24 is a rear view of the bench of FIG. 21.
FIG. 25 is a top view of the bench of FIG. 21.
FIG. 26 is a perspective view of another bench.
FIG. 27 is a side view of the bench of FIG. 26.
FIG. 28 is a front view of the bench of FIG. 26.
FIG. 29 is a rear view of the bench of FIG. 26; and,
FIG. 30 is a top view of the bench of FIG. 26.
The broken lines shown in the drawings illustrate portions of the bench that form no part of the claimed design.

1 Claim, 30 Drawing Sheets



(30) **Foreign Application Priority Data**

Dec. 14, 2021 (EM) 008797864-0017
 Dec. 14, 2021 (EM) 008797864-0018

(58) **Field of Classification Search**

CPC A47B 2230/16; A47C 4/021; A47C 4/025;
 A47C 4/027; A47C 4/02; A47C 4/03;
 A47C 3/029; A47C 7/006; A47C 7/42;
 A47C 31/11

See application file for complete search history.

(56) **References Cited**

U.S. PATENT DOCUMENTS

D236,395 S * 8/1975 Kinsman D6/373
 D248,810 S * 8/1978 Day D6/375
 D258,028 S * 1/1981 Dessert D6/334
 D400,032 S 10/1998 Richter
 D405,631 S 2/1999 Burdick et al.

D420,828 S * 2/2000 Bertoni D6/374
 D556,466 S 12/2007 Foster
 D572,049 S 7/2008 Kerr
 D588,826 S 3/2009 Ricchio
 D599,129 S * 9/2009 Opsvik D6/380
 D645,272 S * 9/2011 Lissoni D6/379
 D650,191 S * 12/2011 Putman D6/369
 D650,192 S * 12/2011 Putman D6/369
 D652,651 S 1/2012 Wittenberg et al.
 D680,346 S * 4/2013 Pedersen D6/370
 D697,351 S 1/2014 Skalka
 D698,193 S 1/2014 Tufano et al.
 D766,002 S 9/2016 Wu
 D811,761 S 3/2018 Morrison
 D816,360 S 5/2018 Saotome
 D869,180 S 12/2019 Liao
 D920,693 S 6/2021 Urquiola
 D922,786 S 6/2021 Koh
 D935,794 S 11/2021 Nardi et al.
 D995,128 S 8/2023 Schlichting et al.

* cited by examiner

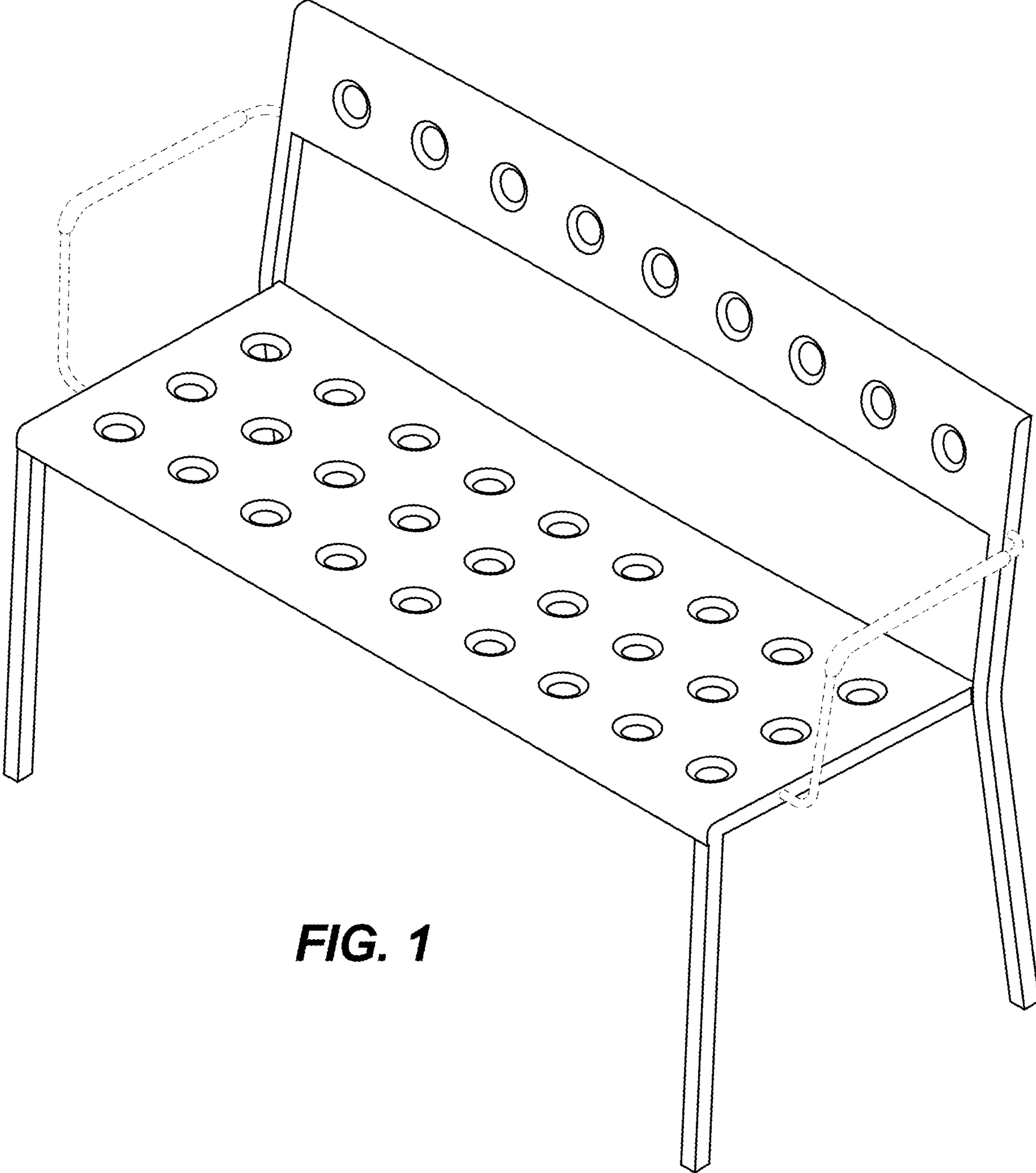


FIG. 1

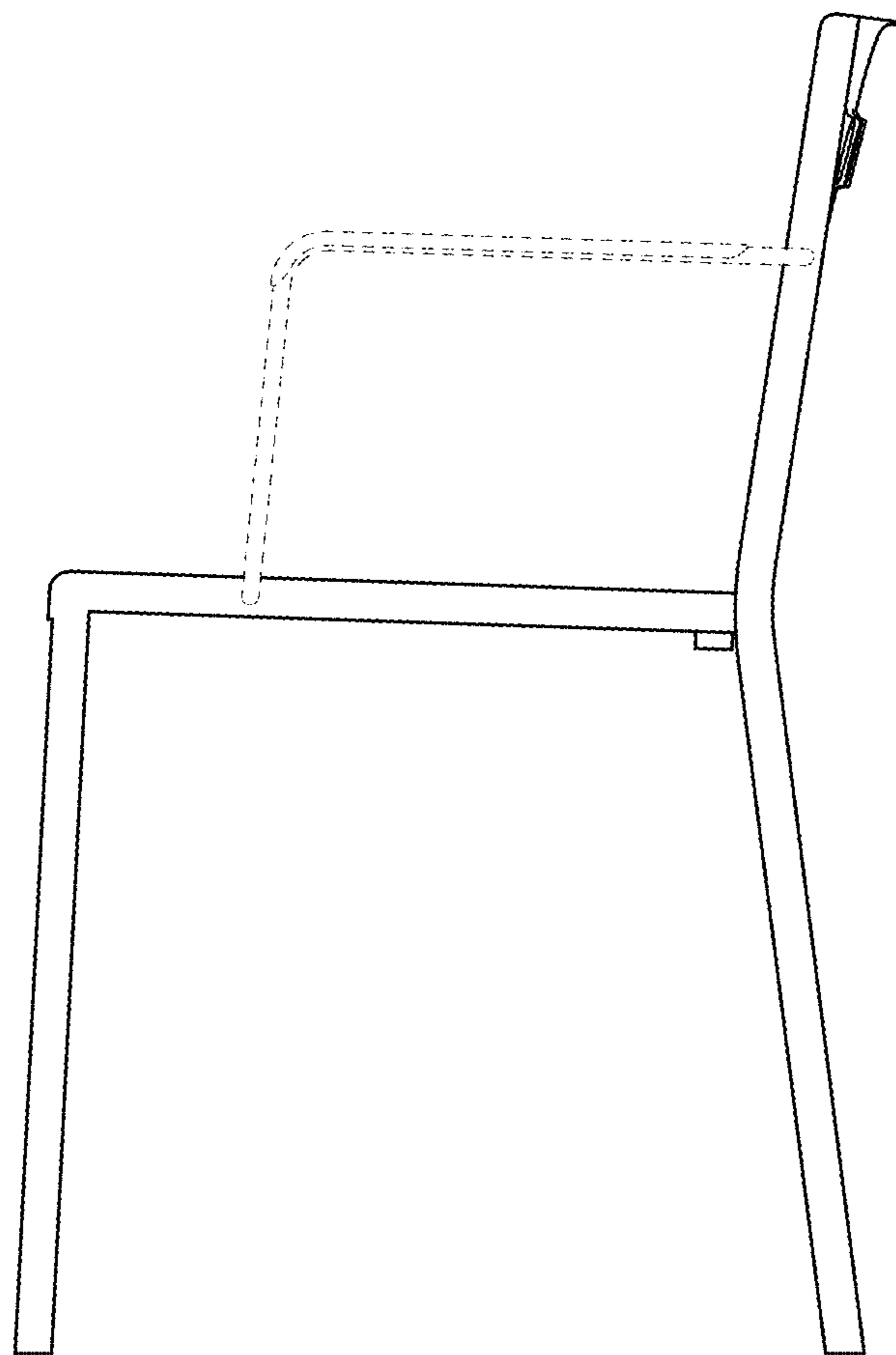


FIG. 2

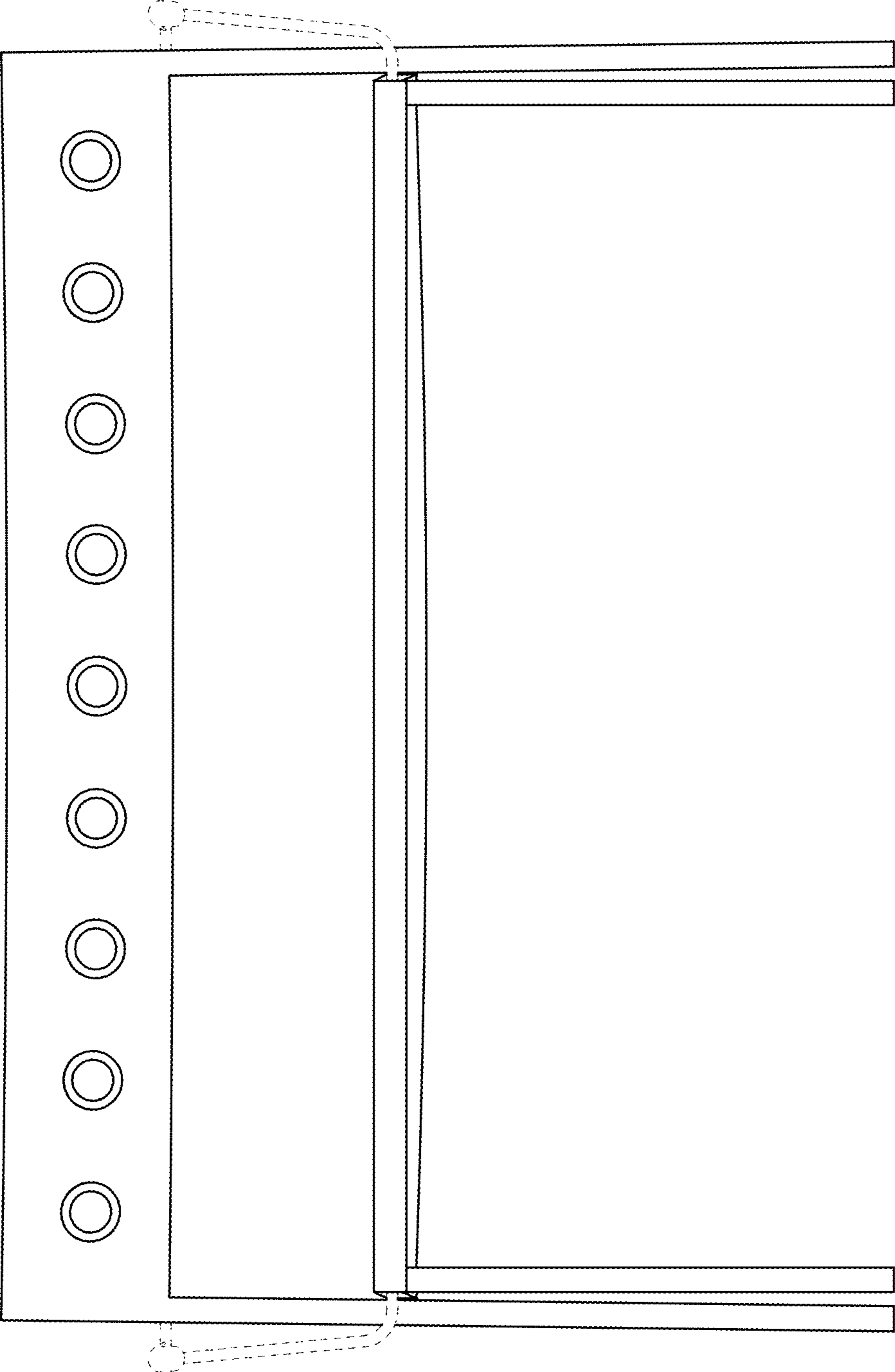


FIG. 3

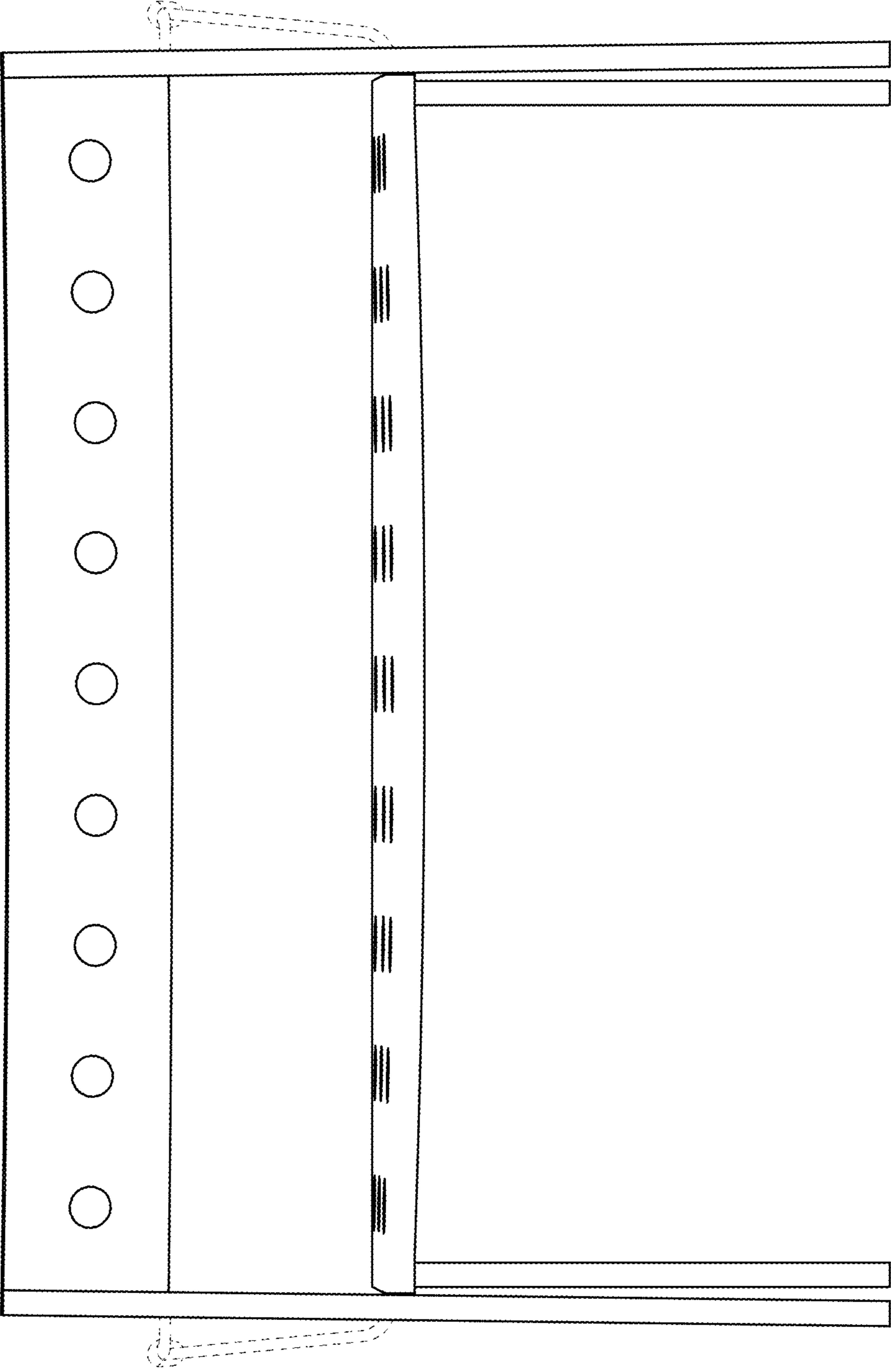


FIG. 4

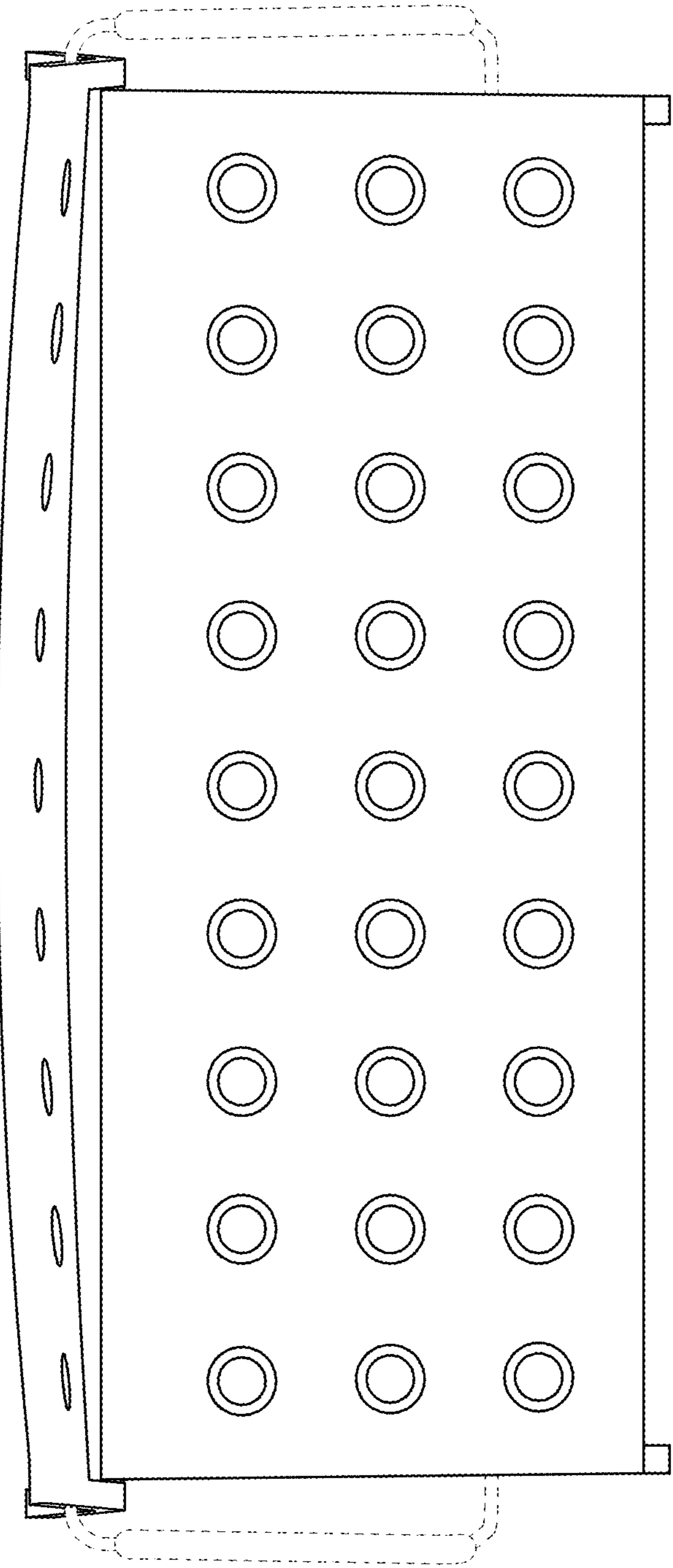


FIG. 5

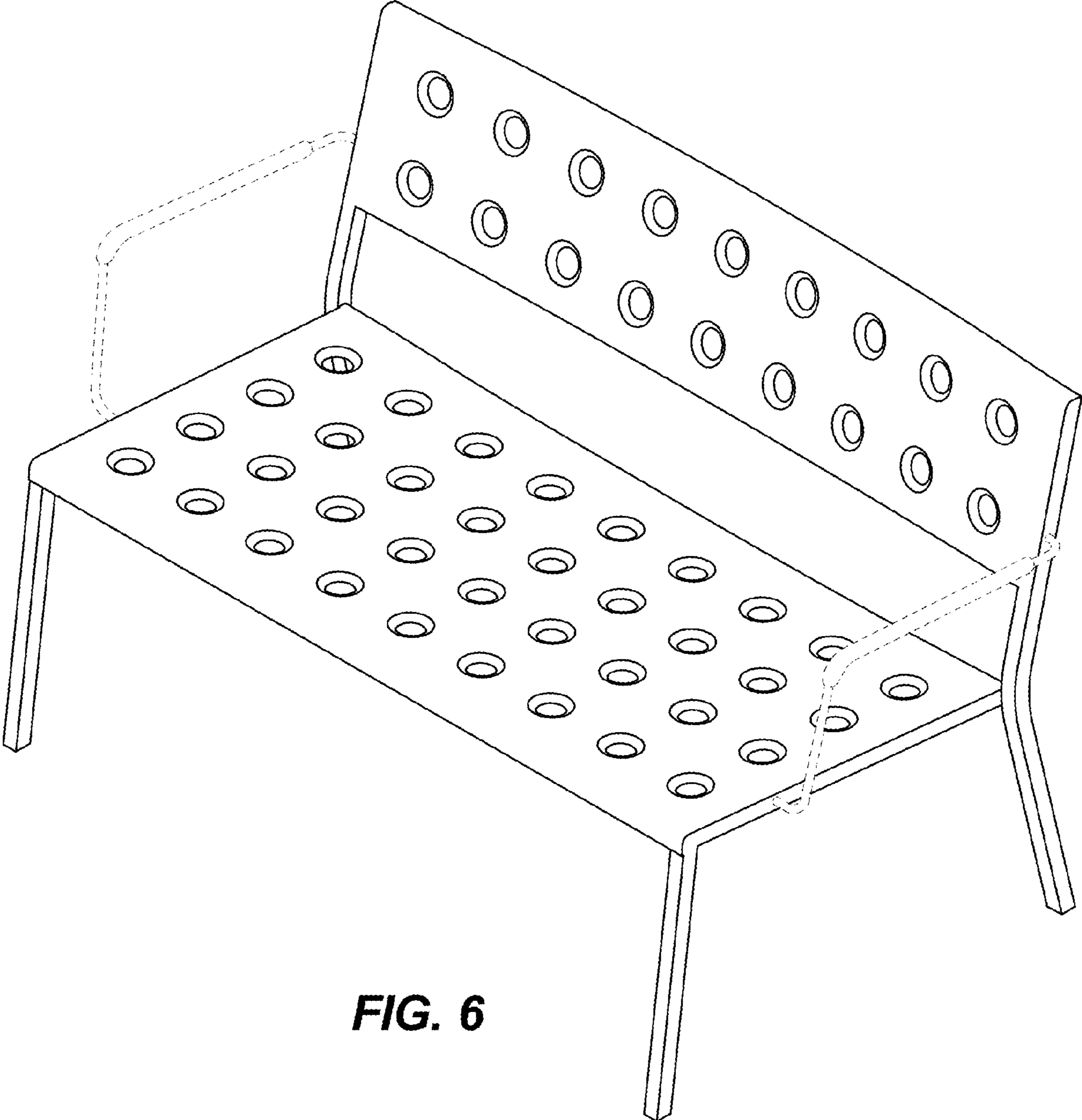


FIG. 6

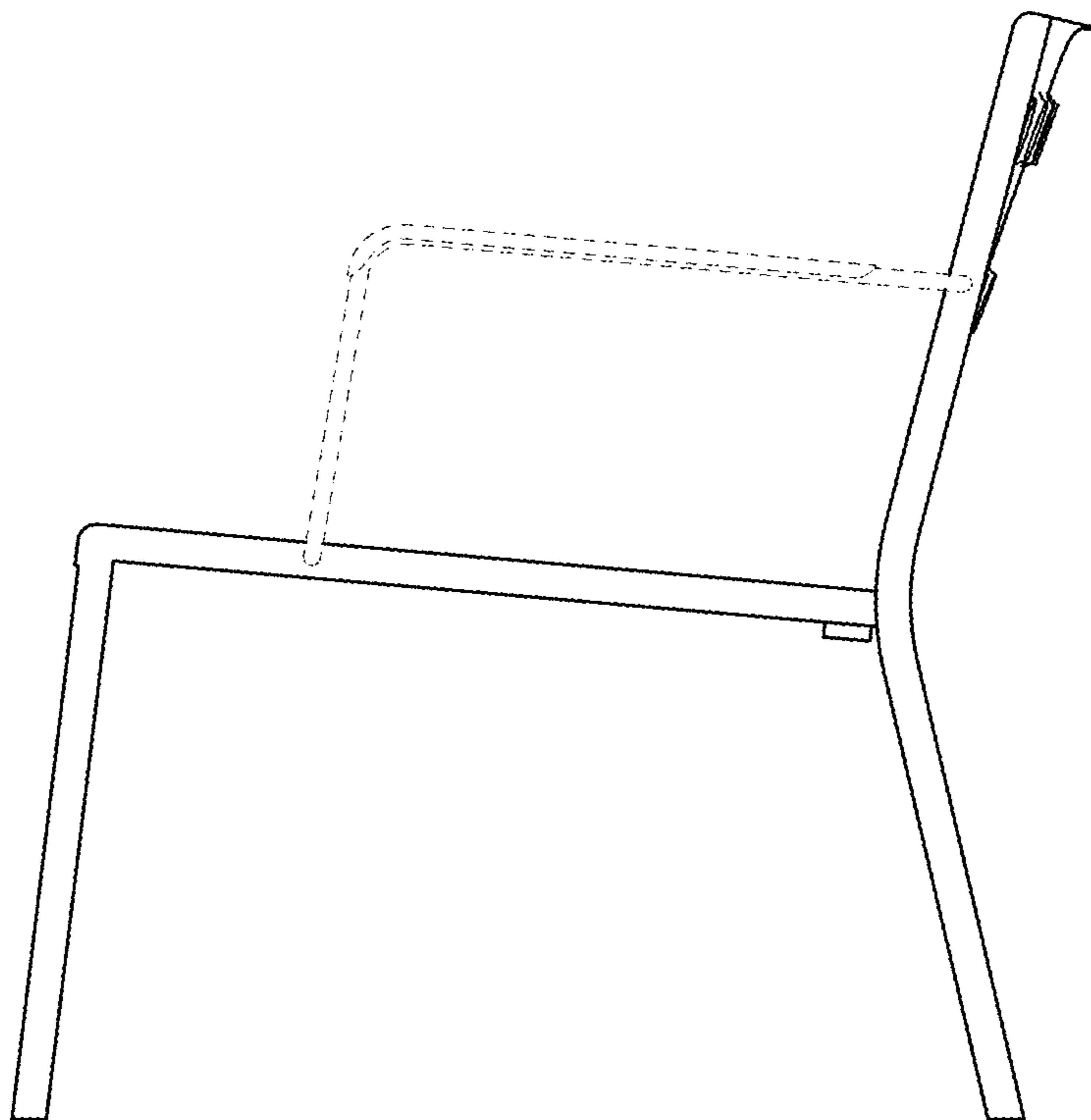


FIG. 7

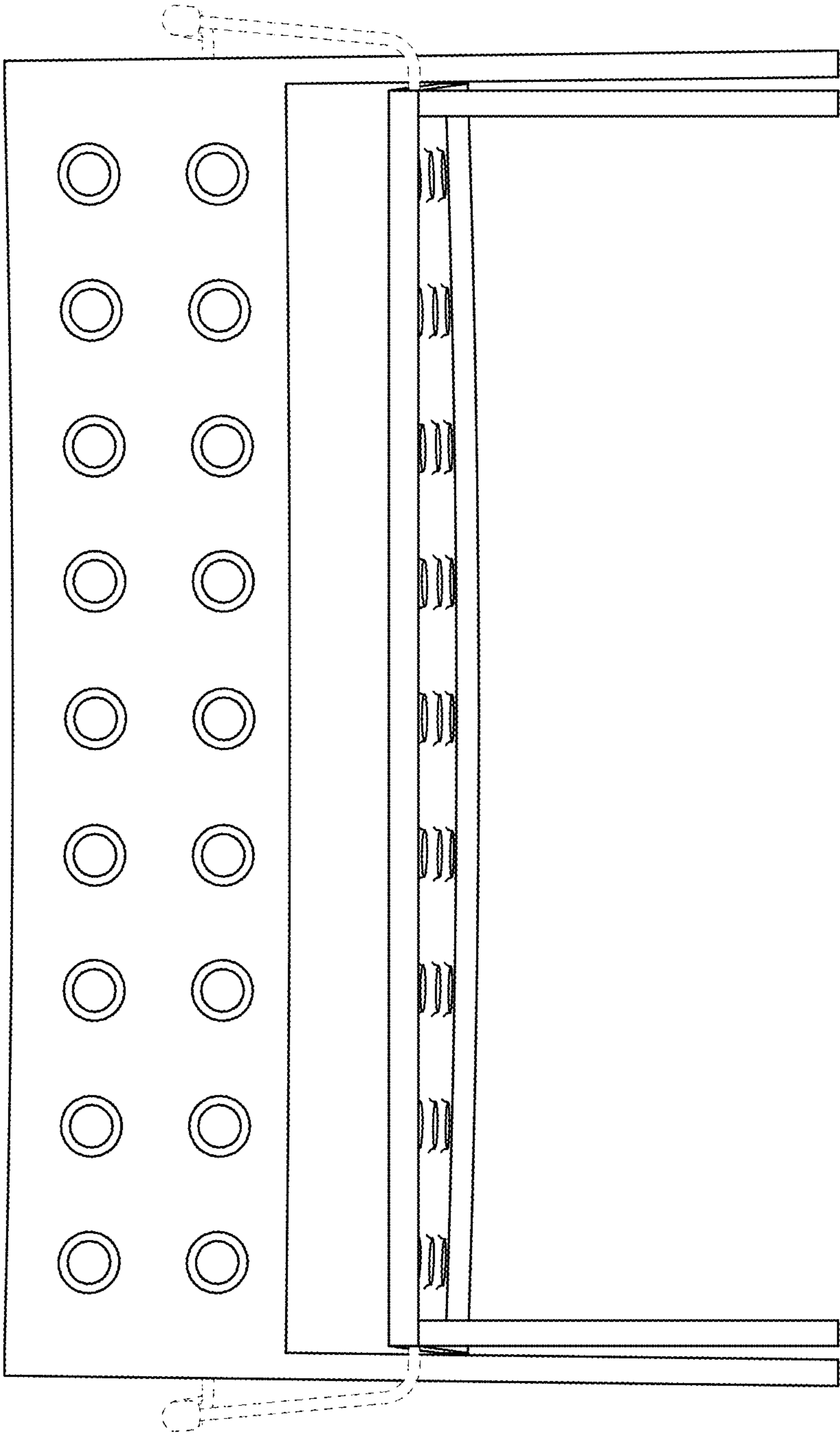


FIG. 8

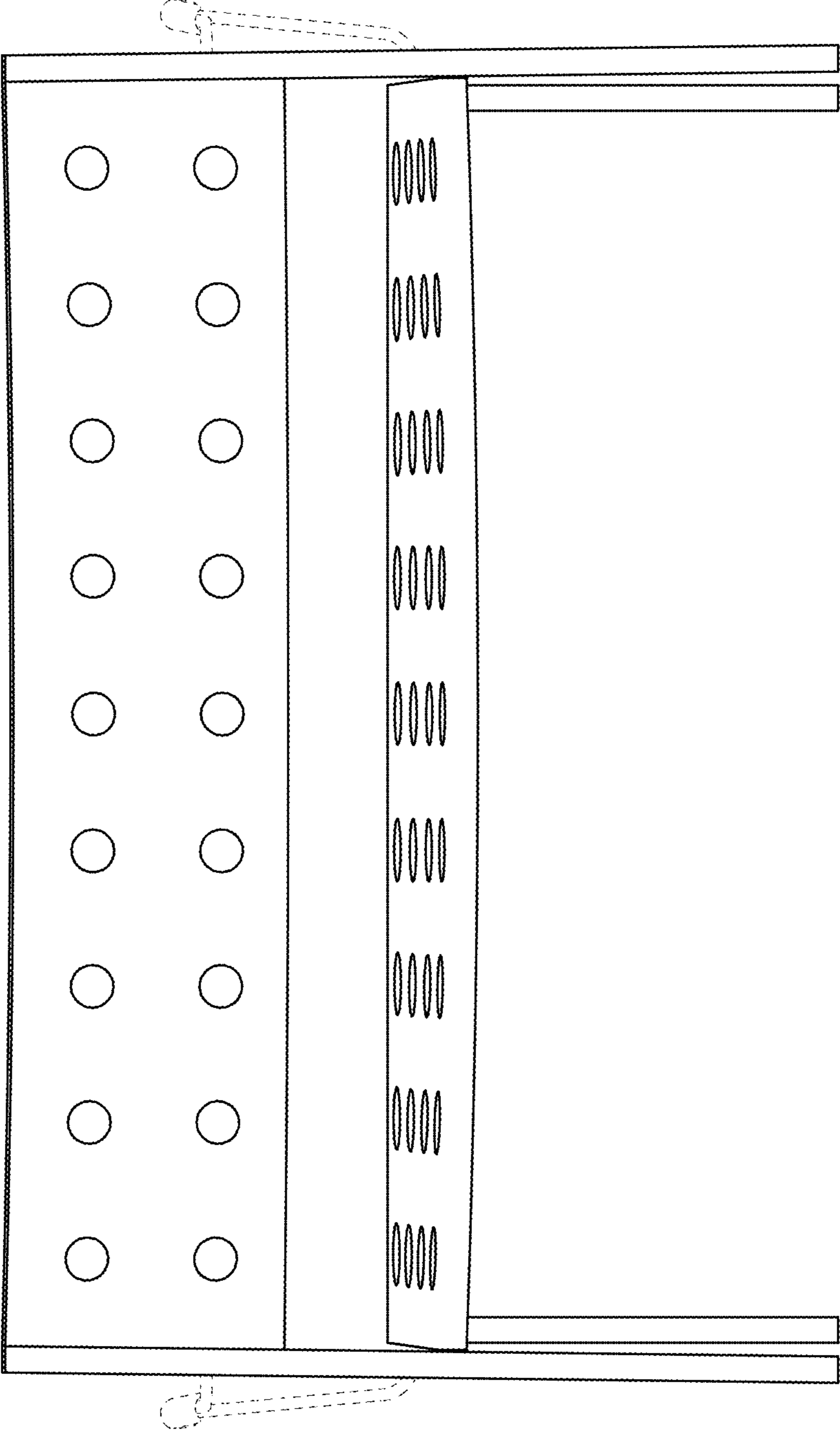


FIG. 9

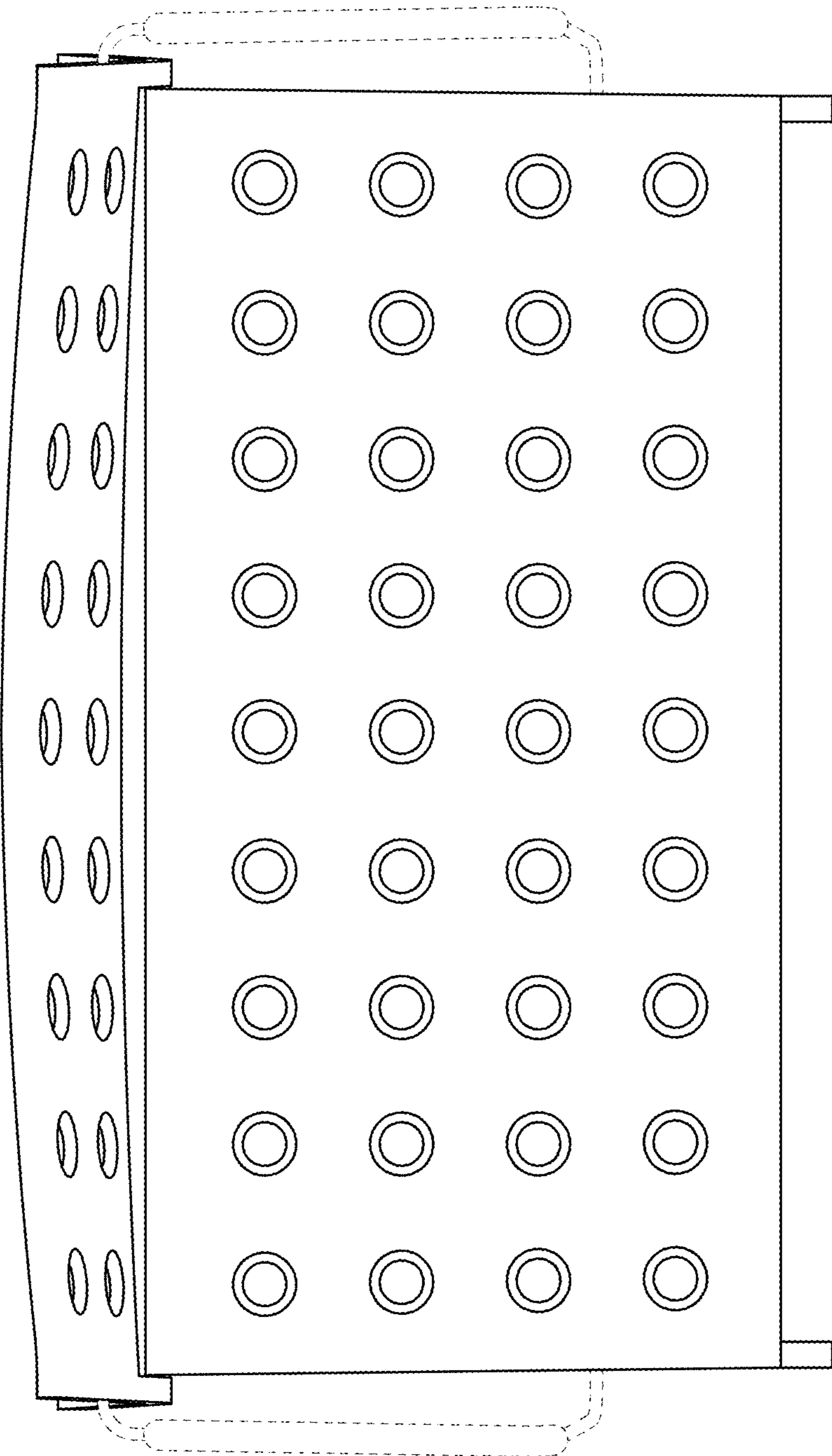


FIG. 10

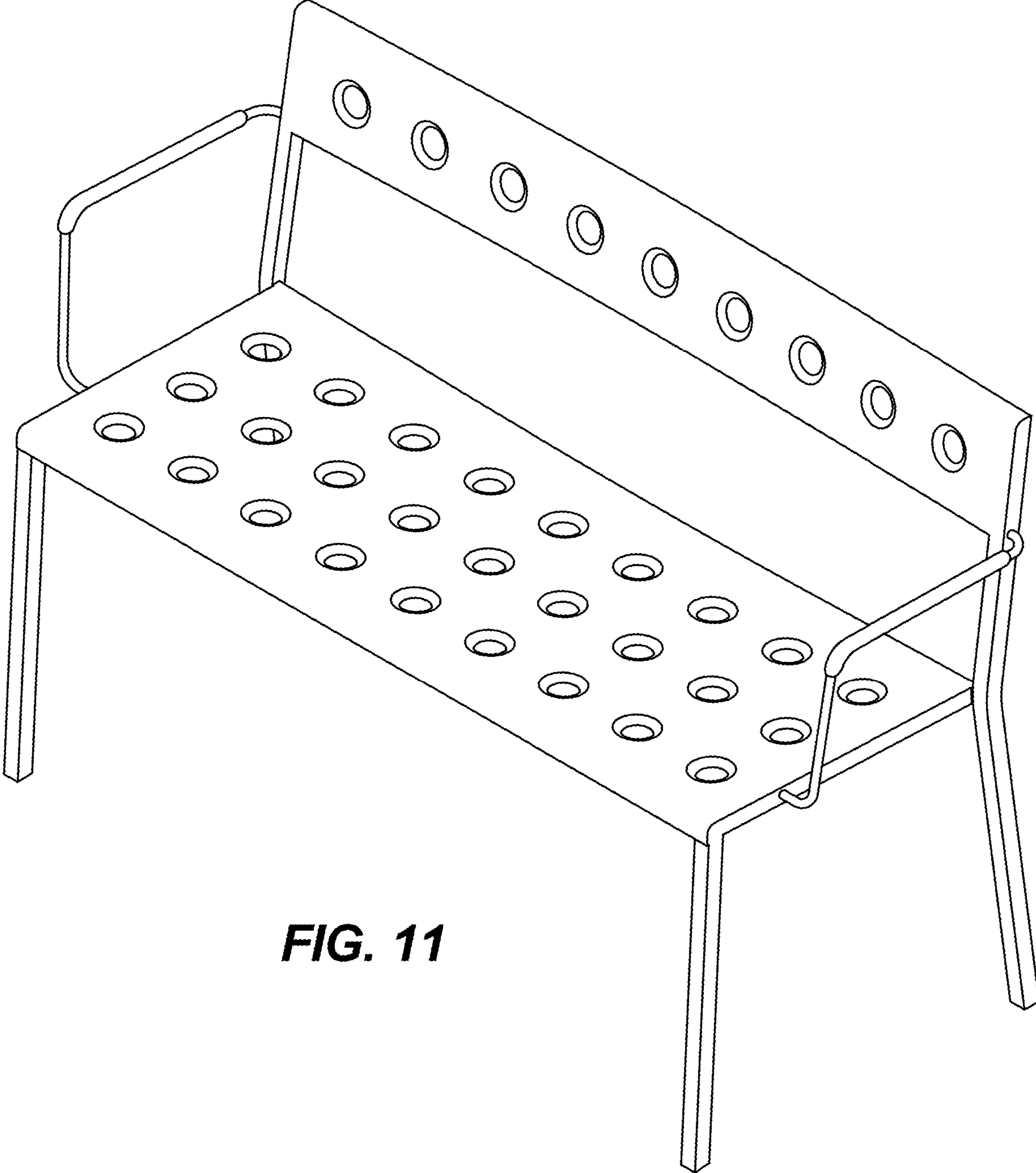


FIG. 11

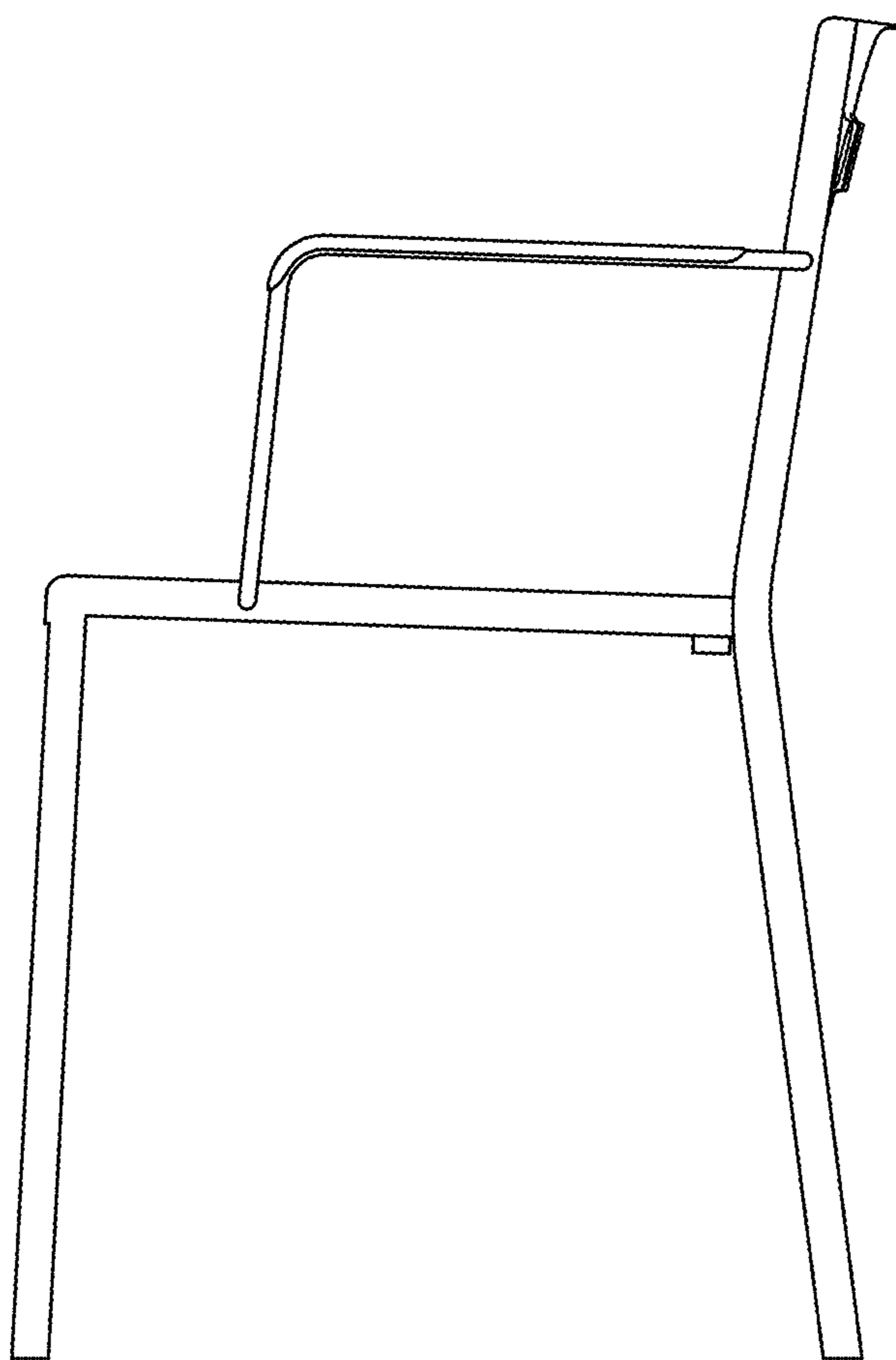


FIG. 12

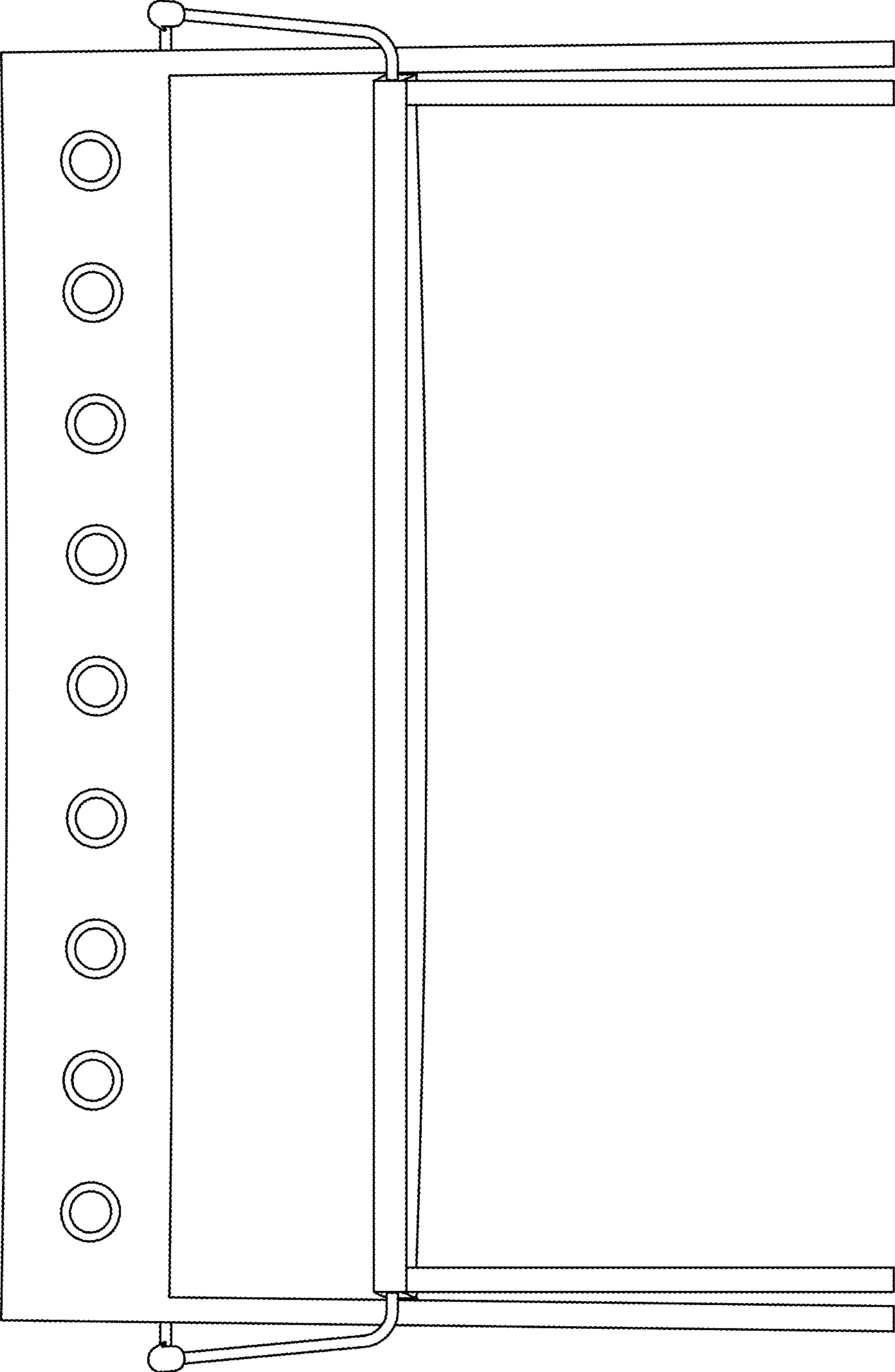


FIG. 13

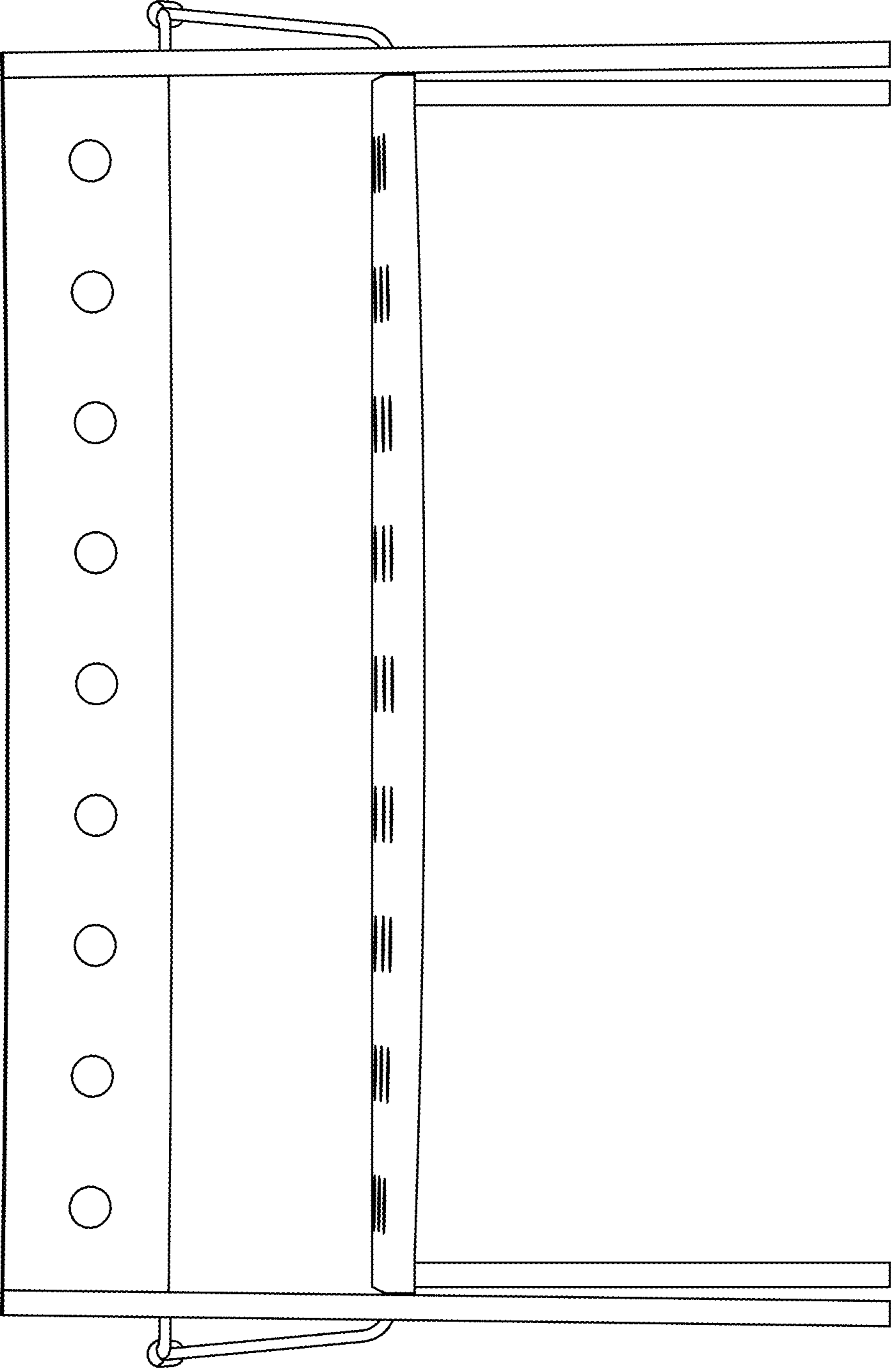


FIG. 14

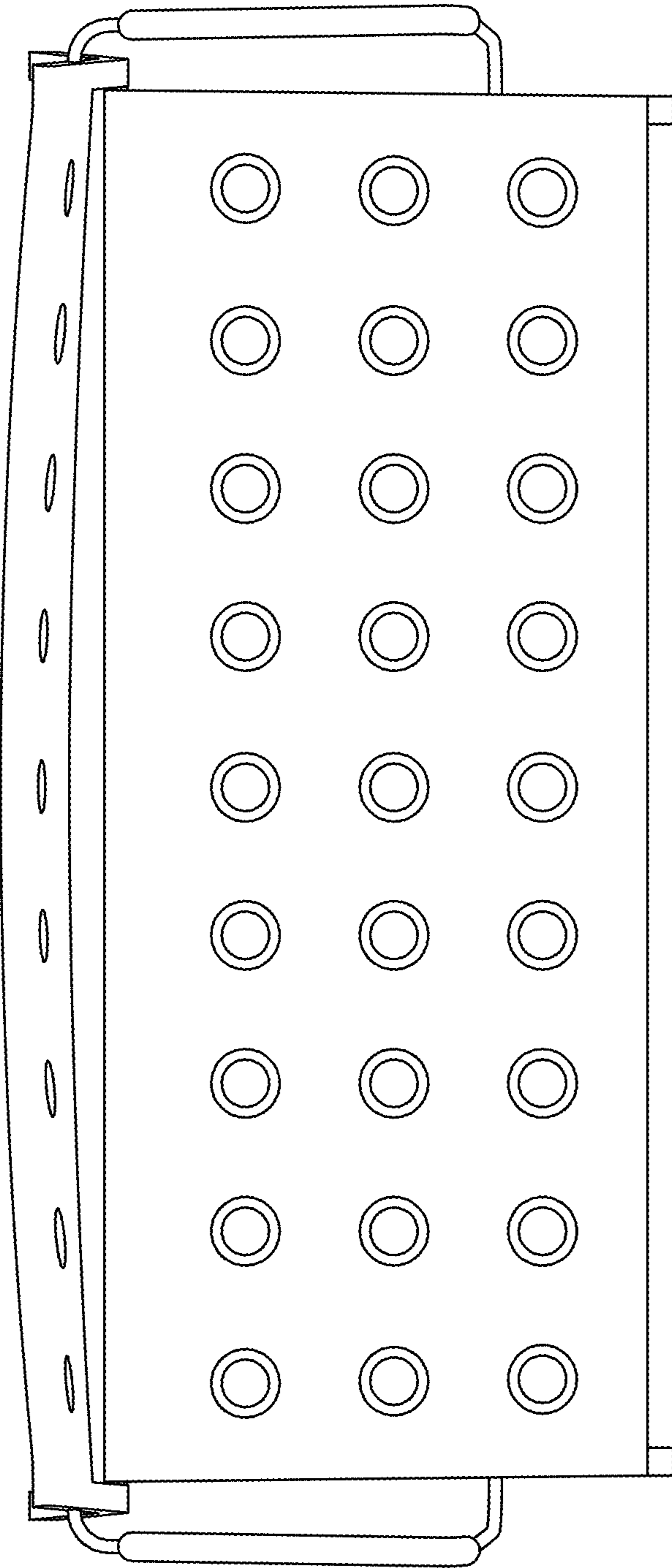


FIG. 15

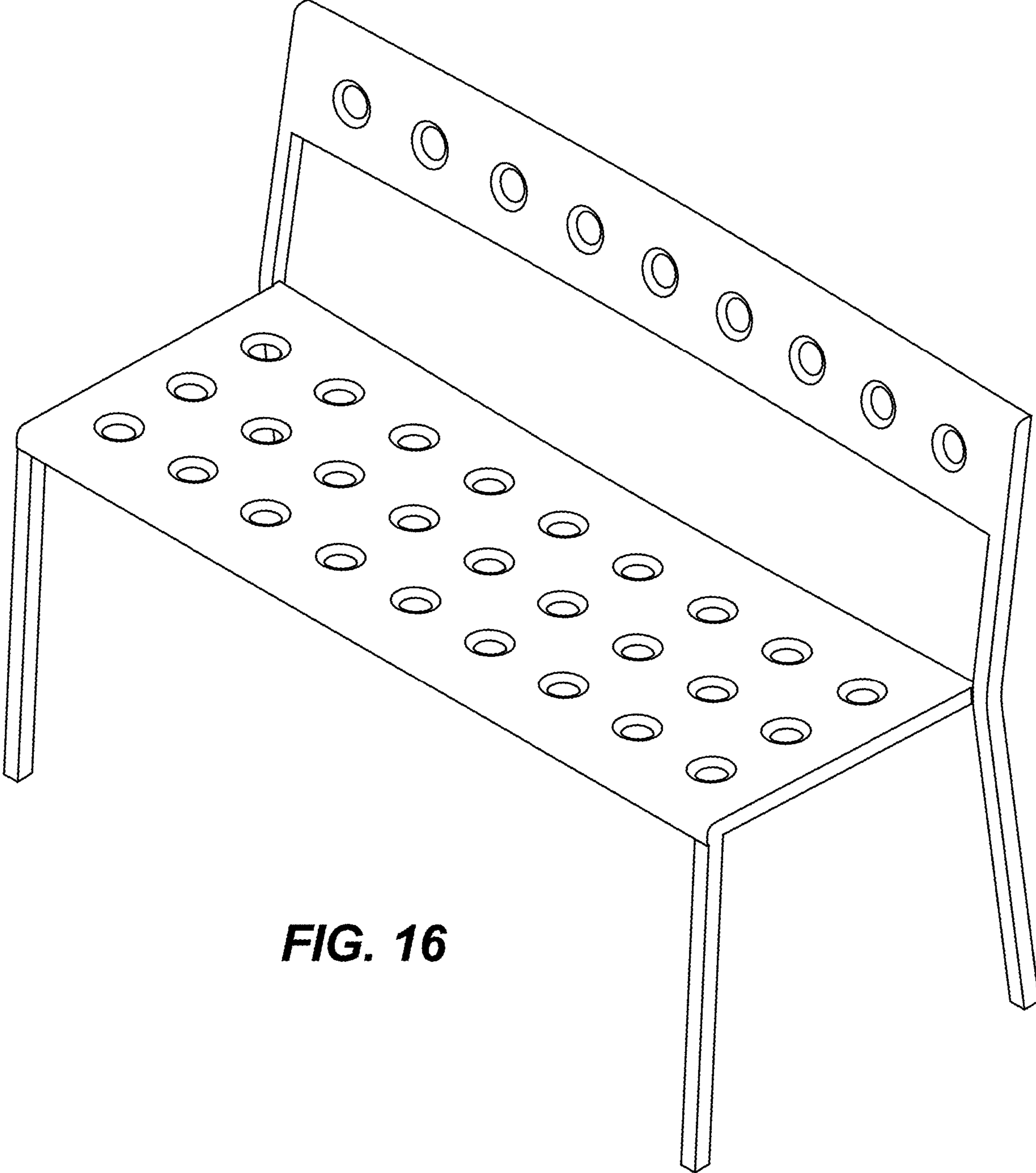


FIG. 16

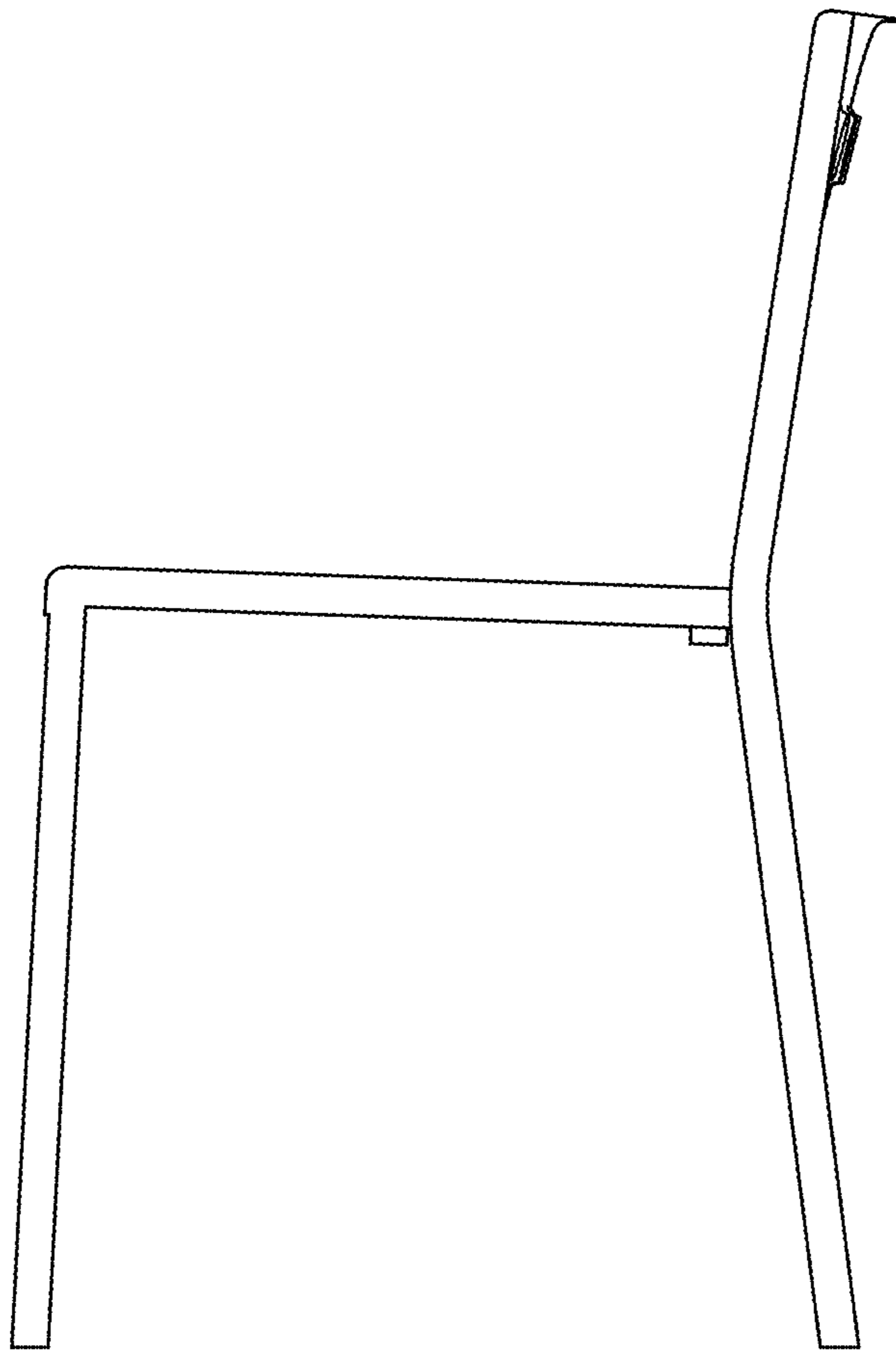


FIG. 17

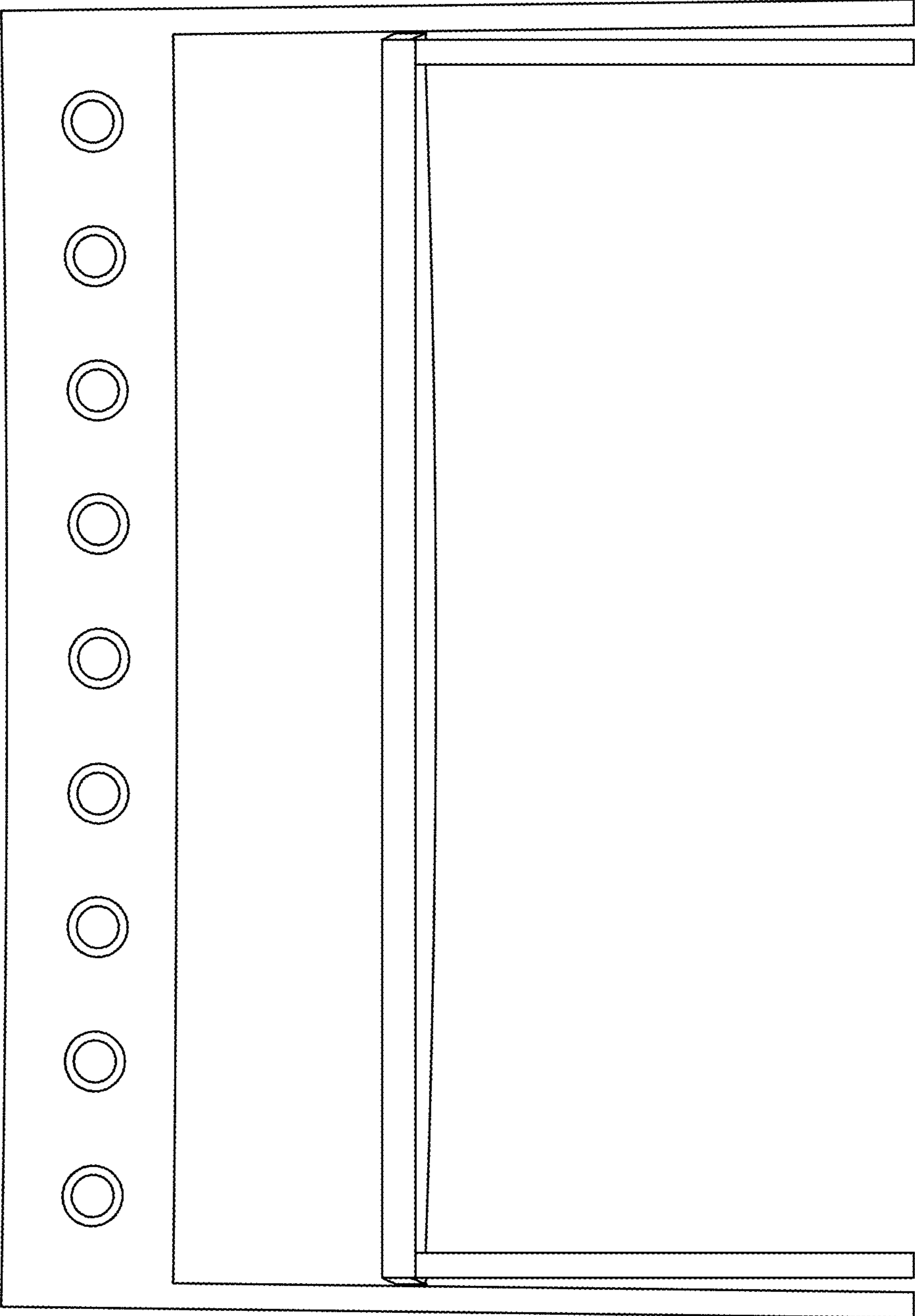


FIG. 18

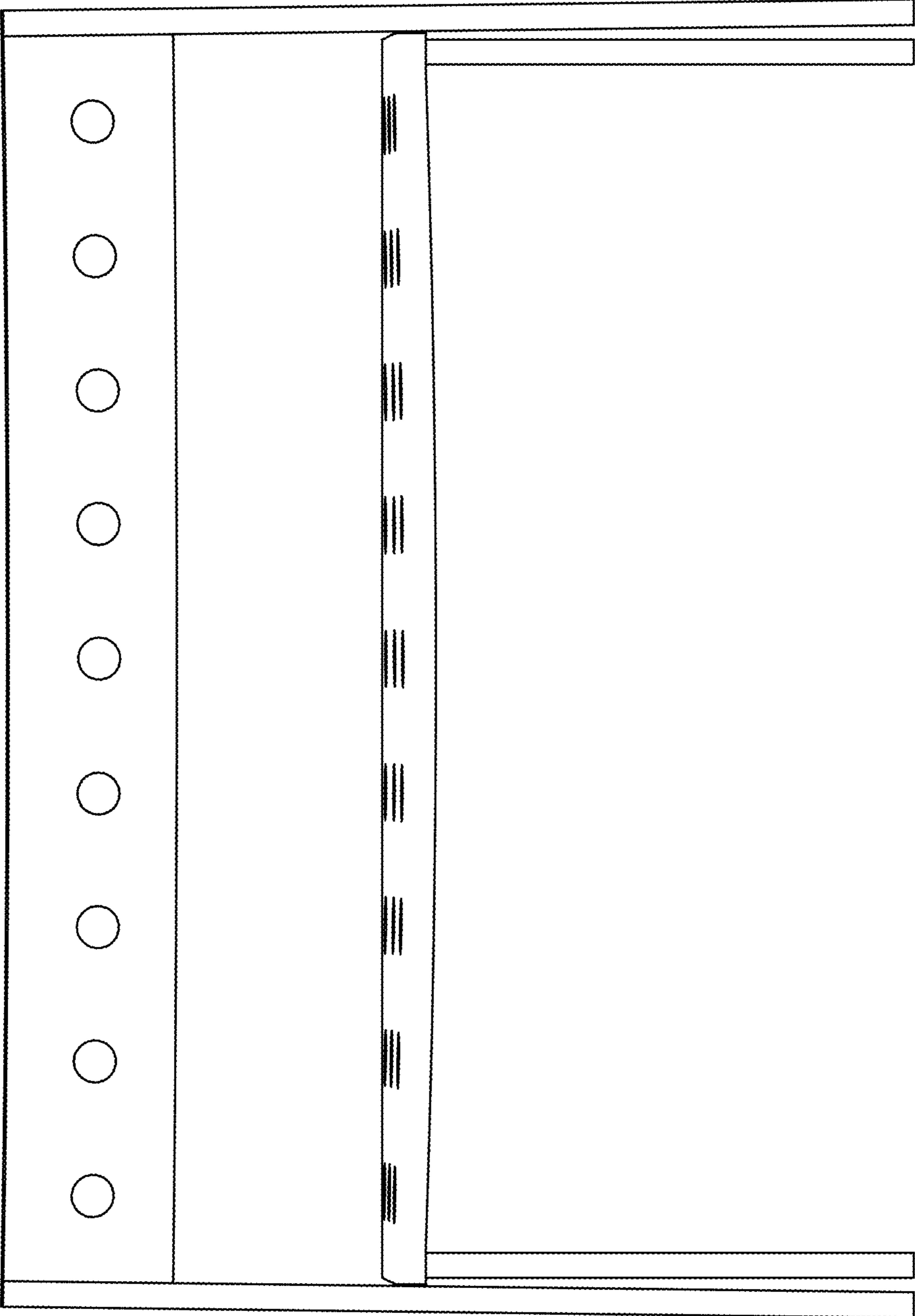


FIG. 19

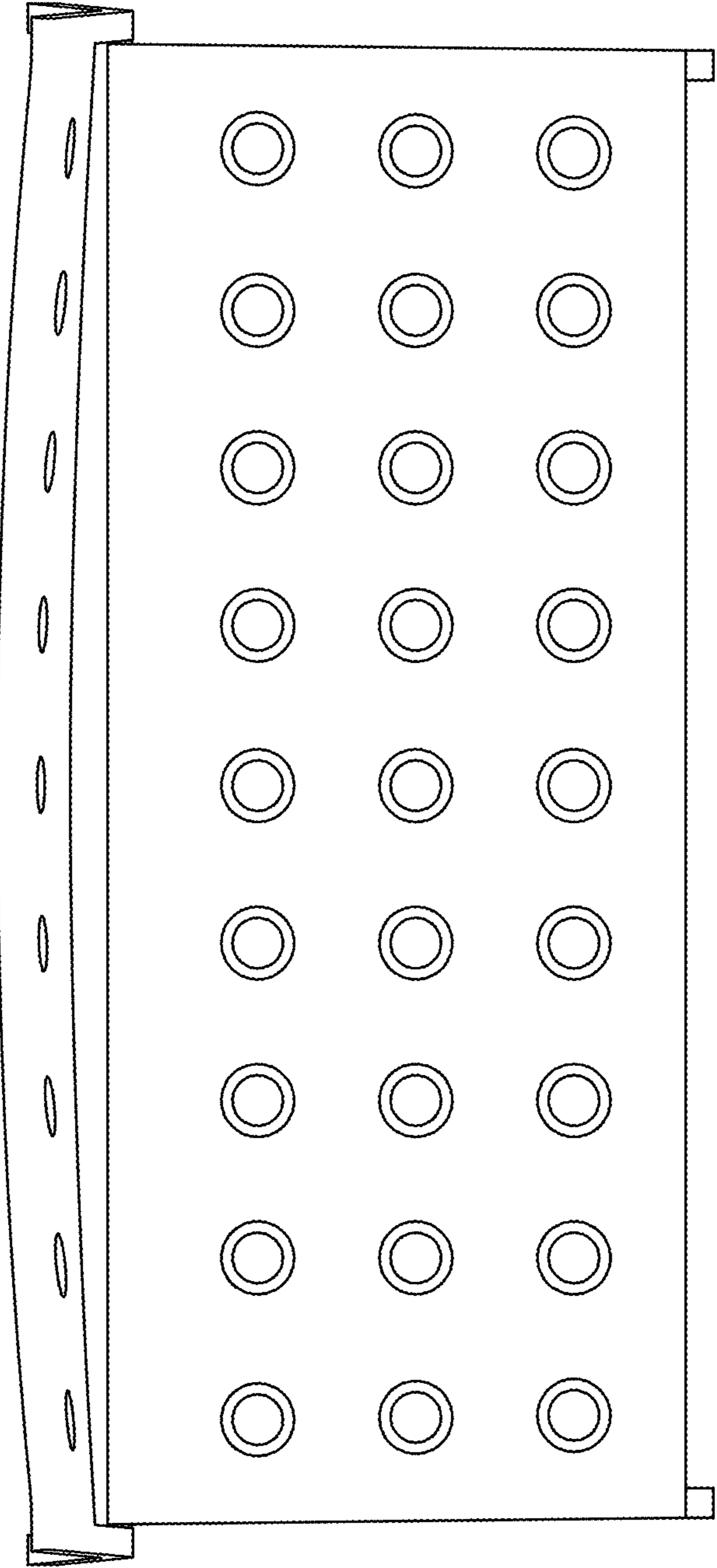


FIG. 20

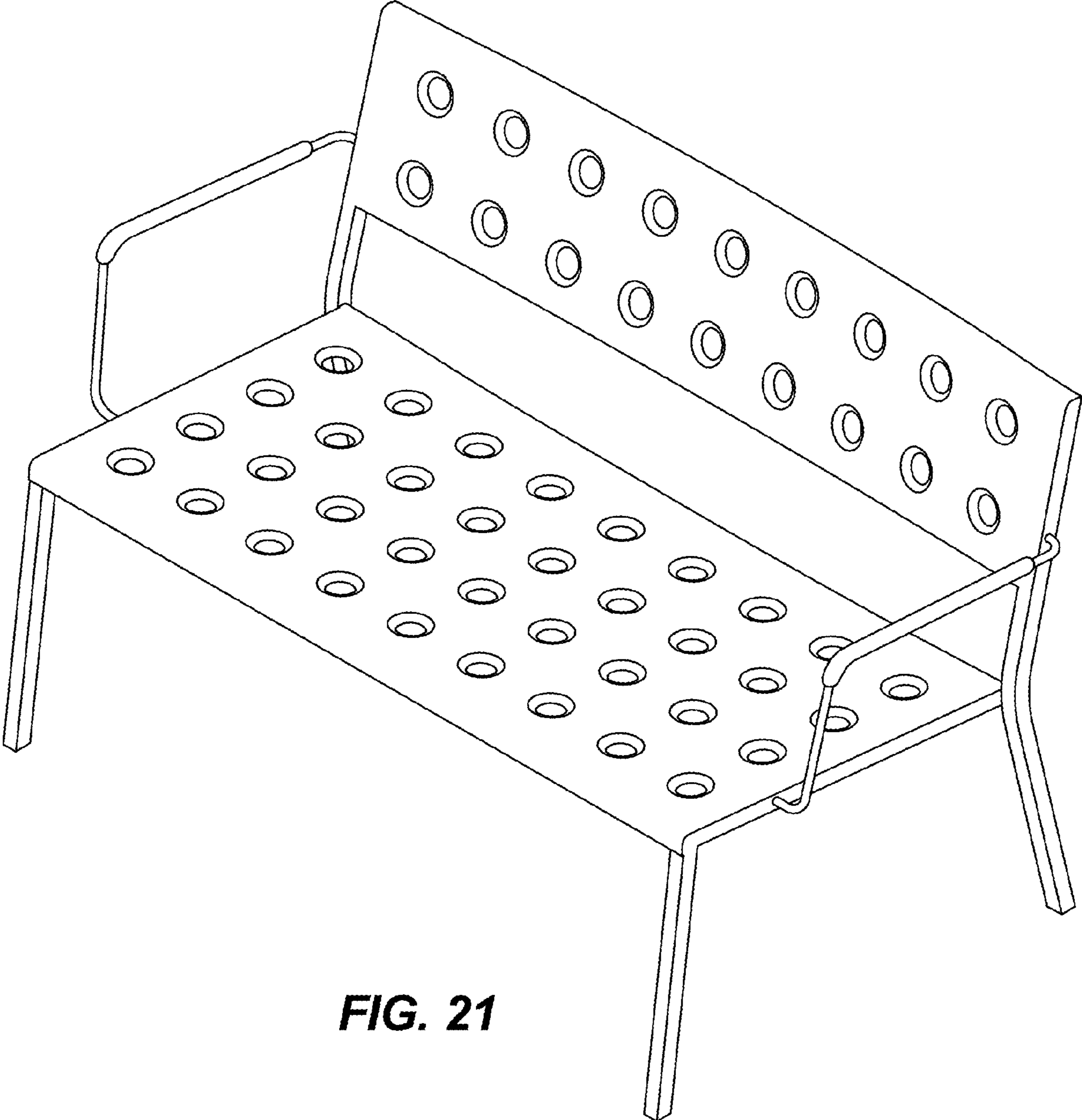


FIG. 21

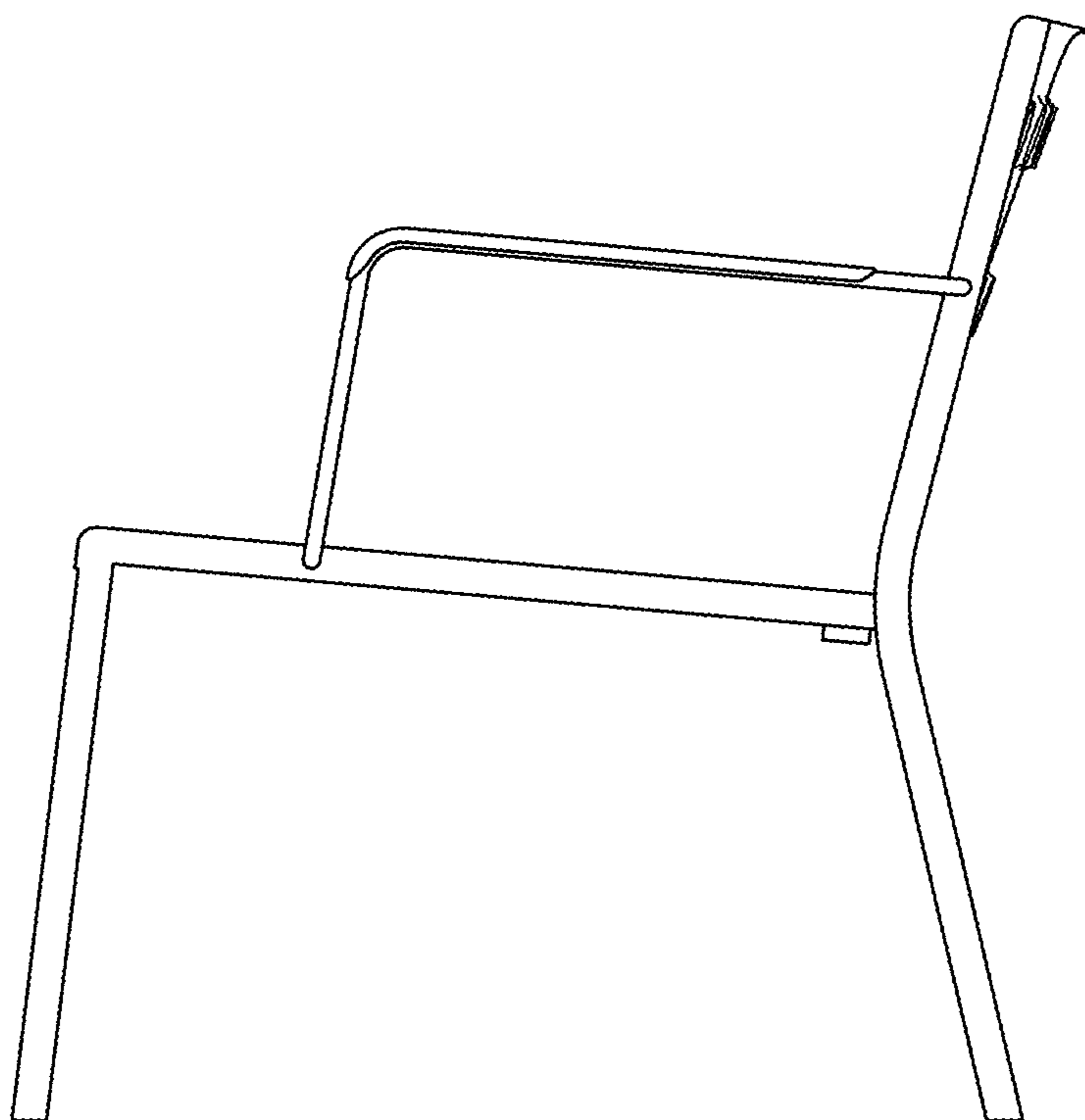


FIG. 22

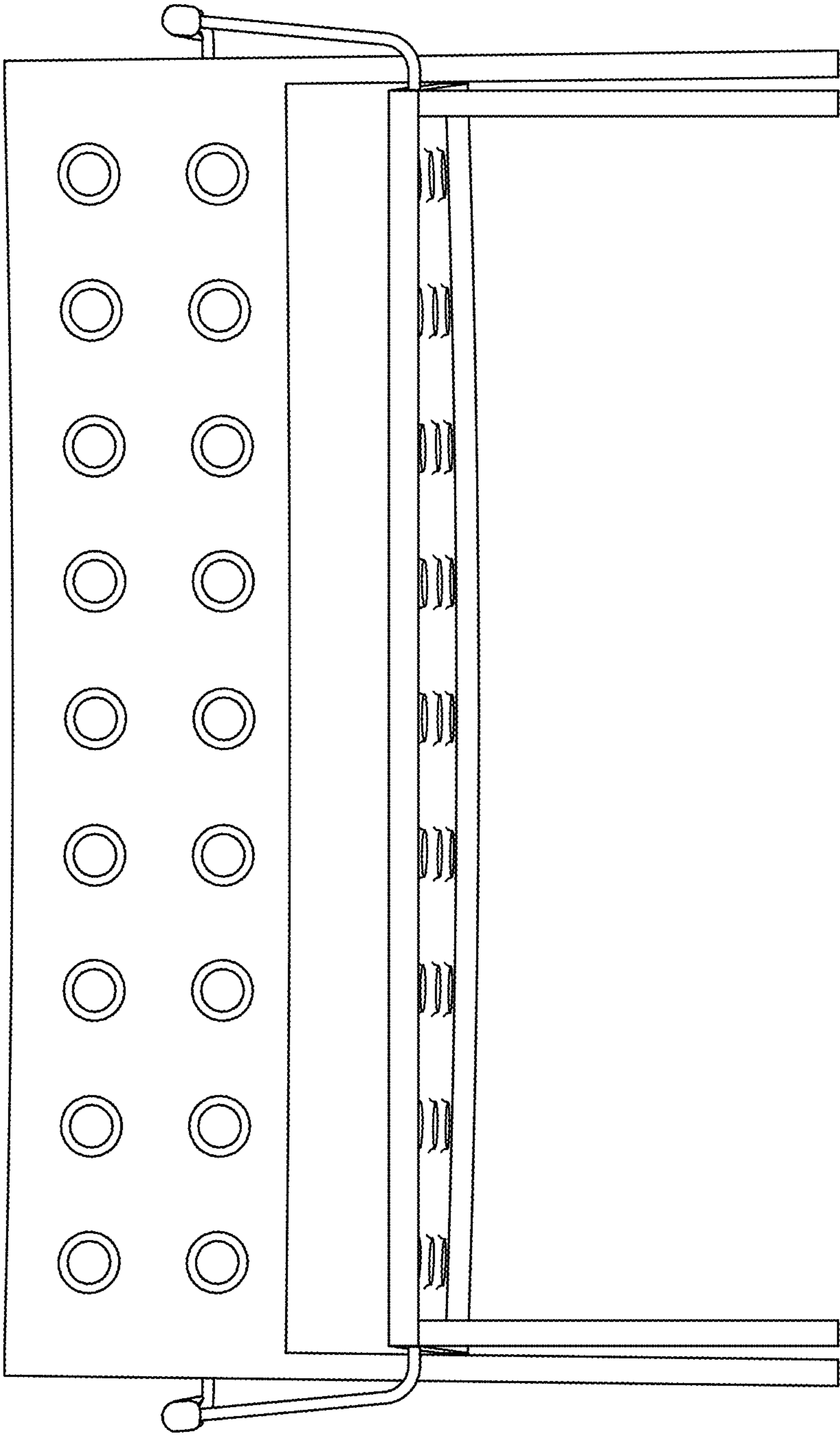


FIG. 23

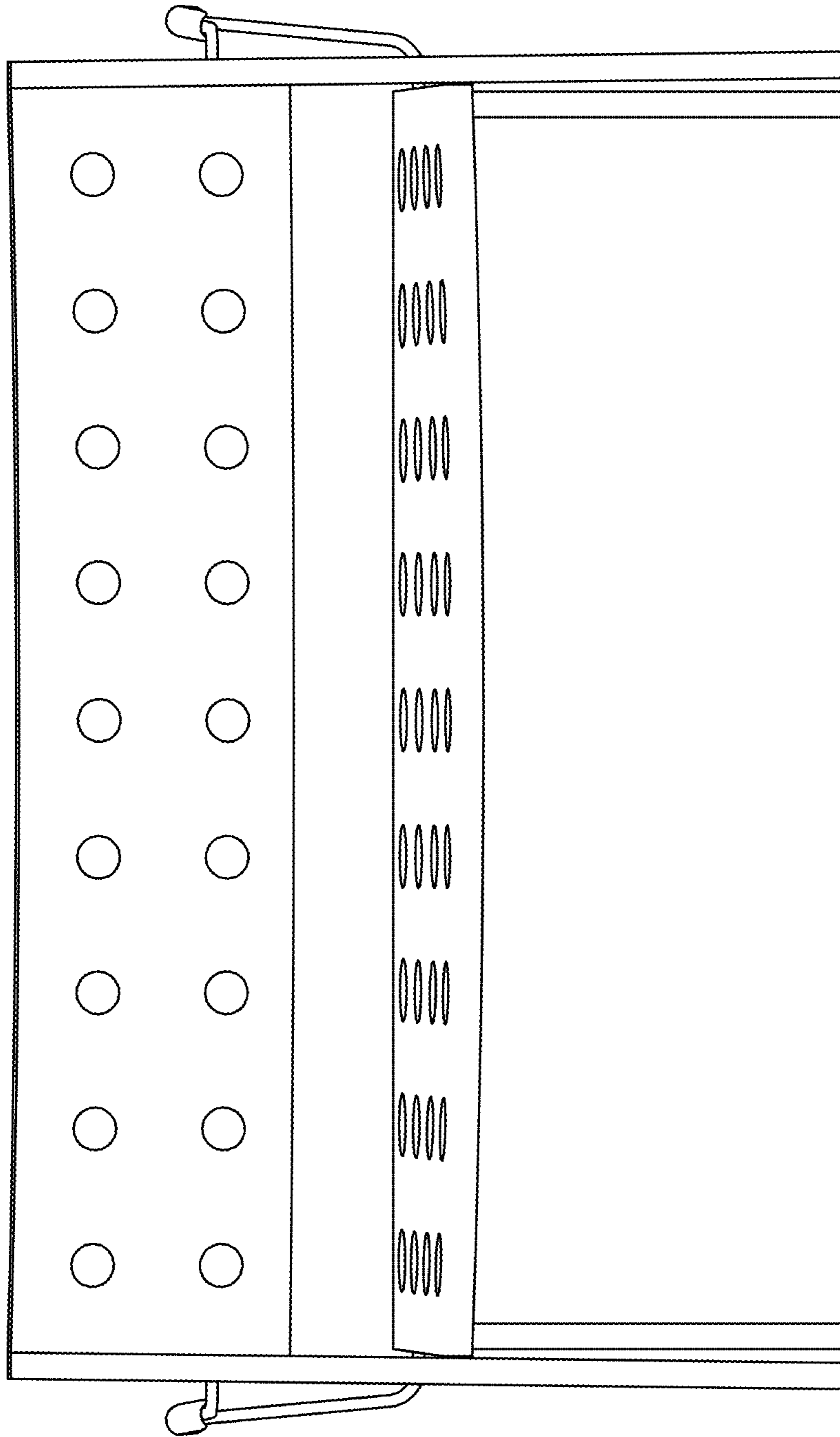


FIG. 24

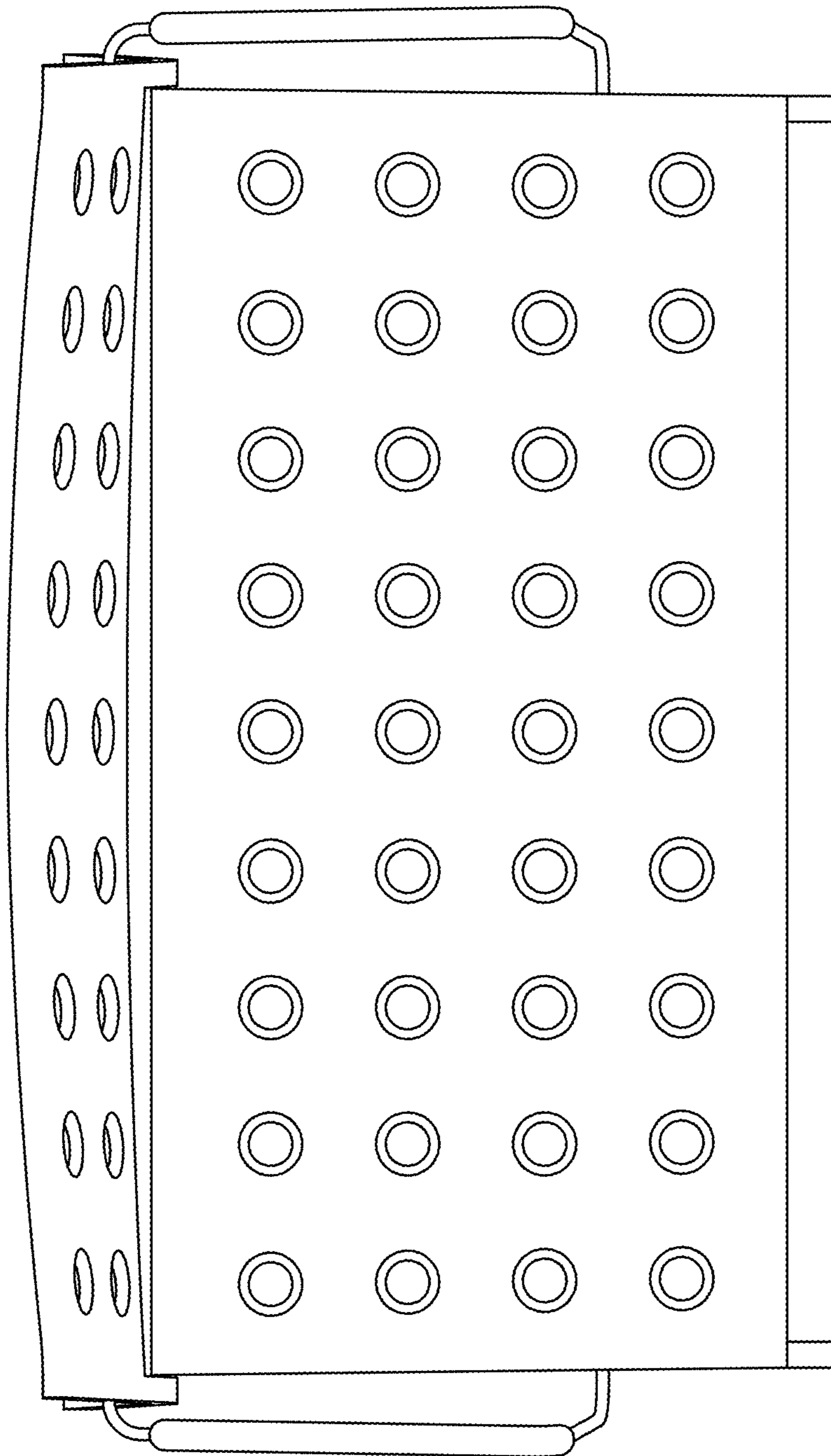


FIG. 25

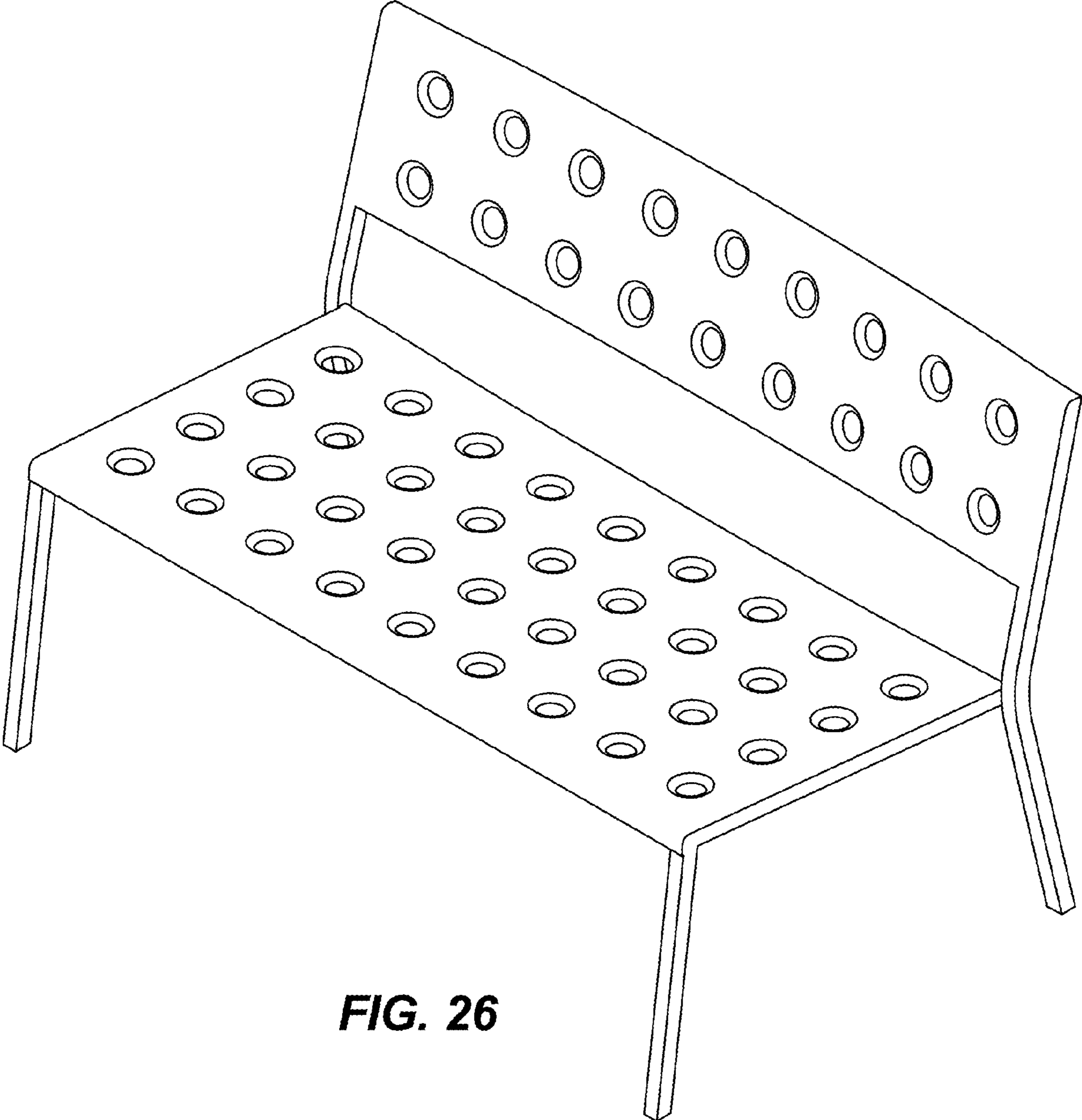


FIG. 26

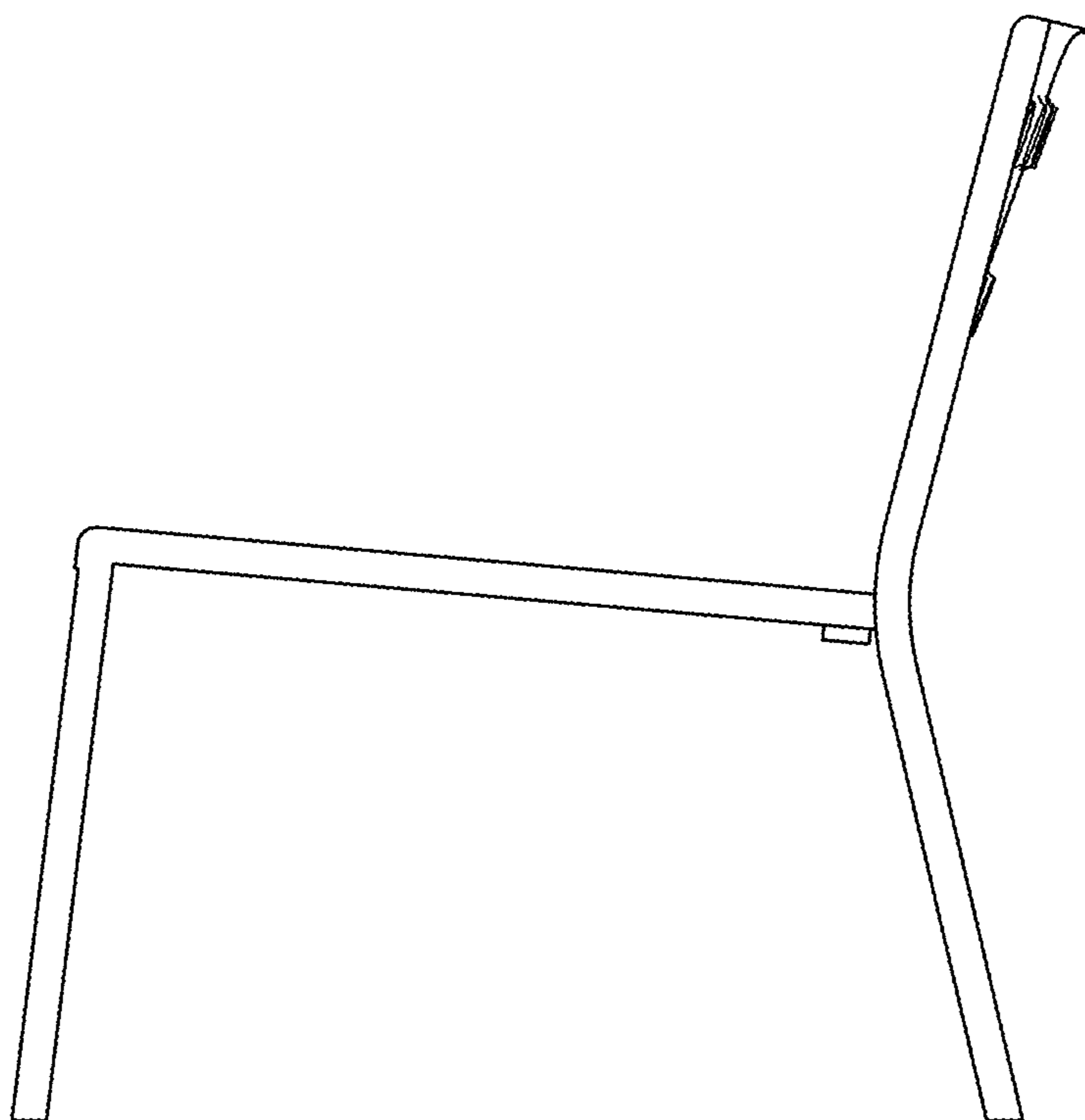


FIG. 27

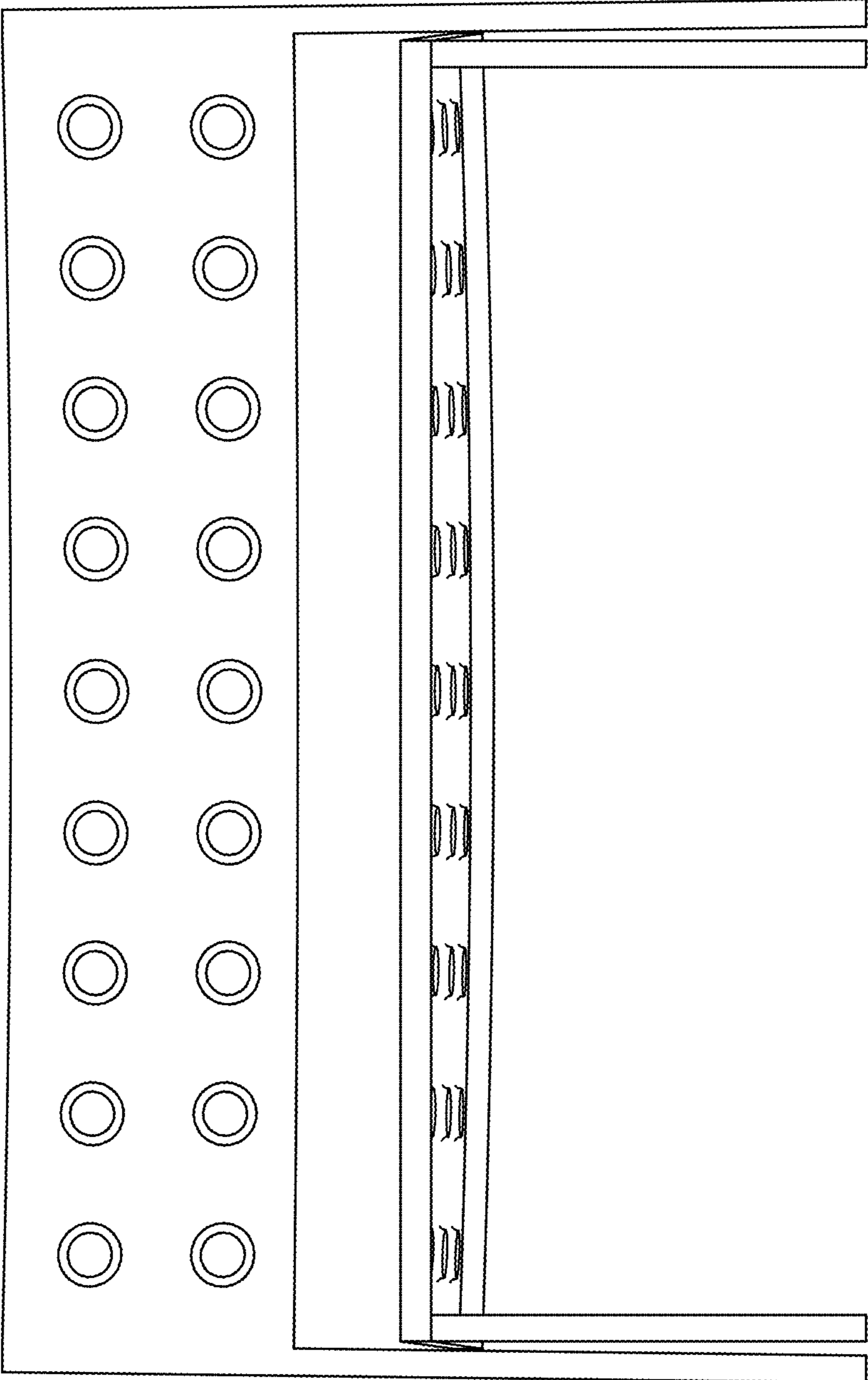


FIG. 28

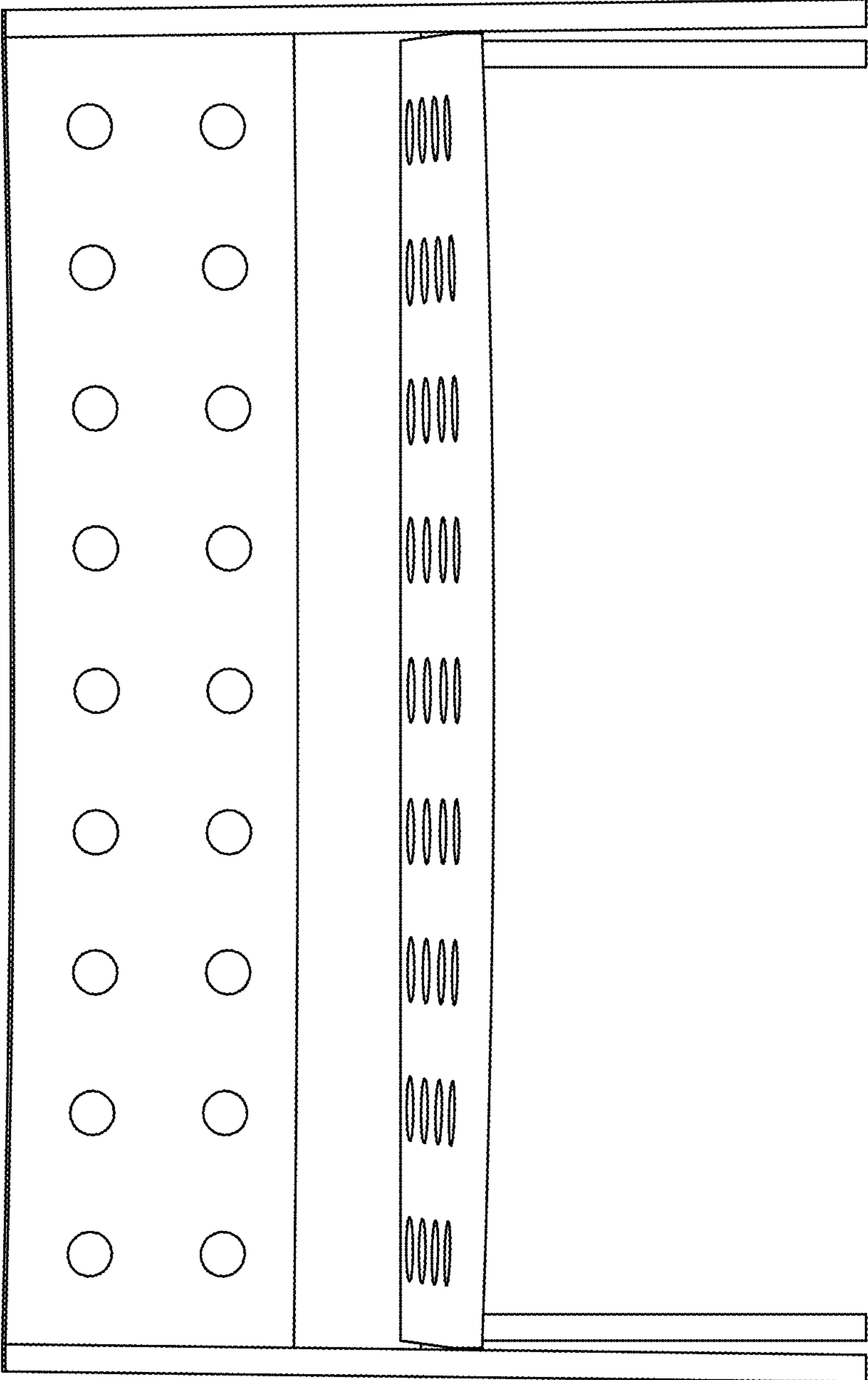


FIG. 29

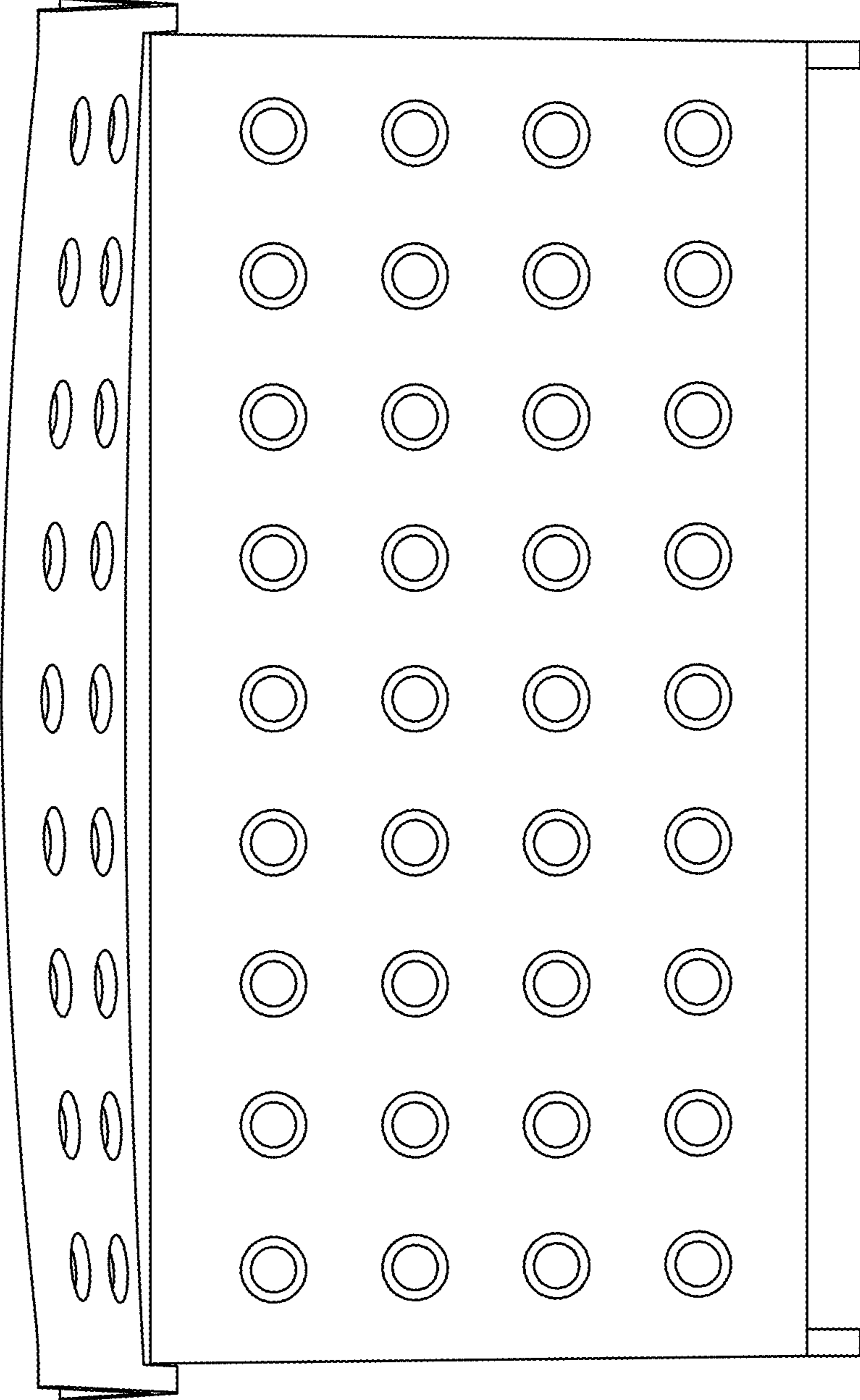


FIG. 30